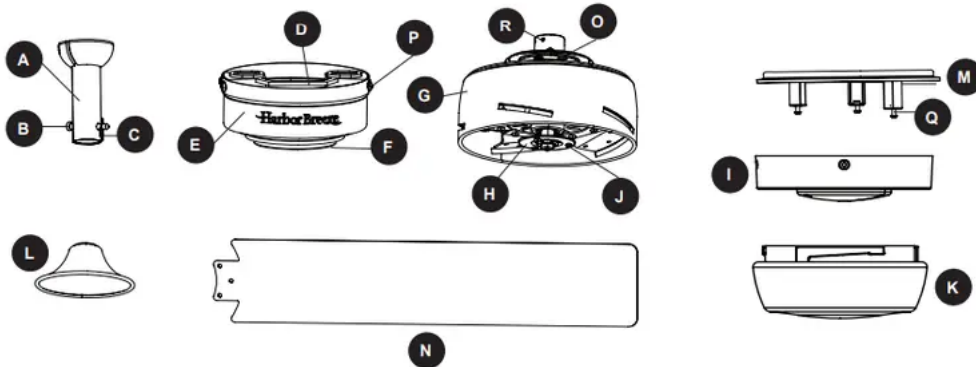
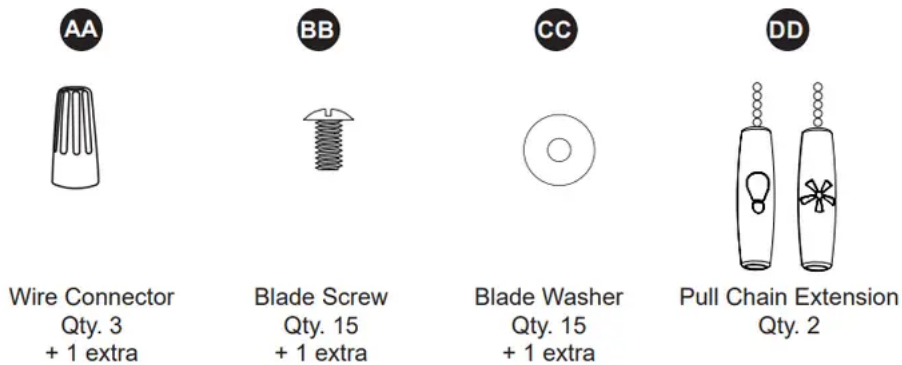


PACKAGE CONTENTS



PART	DESCRIPTION	QUANTITY
A	Downrod	1
B	Downrod Pin (preassembled to Downrod [A])	1
C	Downrod Clip (preassembled to Downrod [A])	1
D	Mounting Bracket (preassembled to Canopy [E])	1
E	Canopy	1
F	Canopy Cover (preassembled to Canopy [E])	1
G	Motor Assembly	1
H	Fitter Plate (preassembled to Motor Assembly [G])	1
I	Light Kit	1
J	Fitter Plate Screw (preassembled to Fitter Plate [H])	3
K	Glass Bowl	1
L	Yoke Cover	1
M	Light Pan	1
N	Blade	5
O	Phillips-head Closemount Screw (preassembled to Motor Assembly [G])	3
P	Mounting Bracket Screw (preassembled to Mounting Bracket [D])	4
Q	Light Pan Screw (preassembled to the Light Pan [M])	3
R	Set Screw (preassembled to Motor Assembly [G])	2

HARDWARE CONTENTS (shown actual size)



PREPARATION

Before beginning the assembly of this product, ensure that all parts are present. Compare all parts with the package contents list and hardware contents list. If any part is missing or damaged, do not attempt to assemble the product.

Estimated Assembly Time: 120 minutes

Tools Required for Assembly (not included): Electrical Tape, Phillips Screwdriver, Pliers, Safety Glasses, Step Ladder, Wire Cutters and Wire Strippers

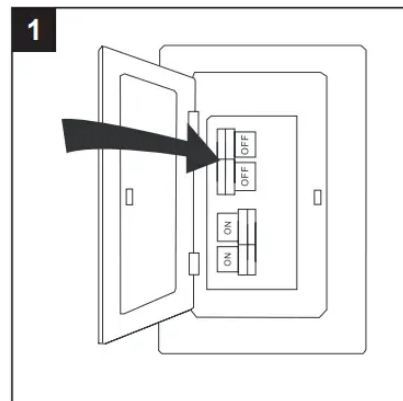
Helpful Tools (not included): AC Tester Light, Tape Measure and Wiring Handbook

INITIAL INSTALLATION

1. Turn off the circuit breakers and the wall switch to the fan supply line leads.



DANGER: Failure to disconnect the power supply prior to installation may result in serious injury or death.



2. Determine the mounting method to use.

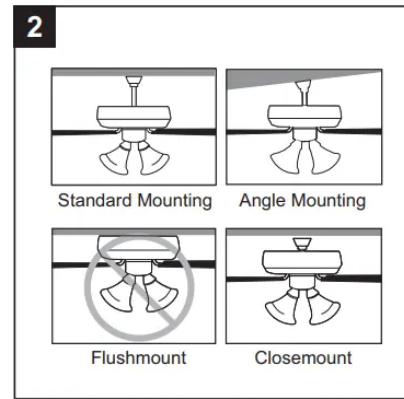
Standard mounting is best suited for ceilings 8 ft. or higher. For taller ceilings you may want to use a longer downrod (not included).

Angle-style mounting is best suited for angled or vaulted ceilings. A longer downrod is sometimes necessary to ensure proper blade clearance.

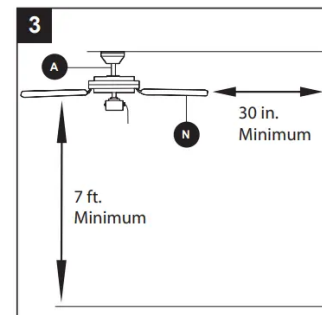
Note: If using the angle mount, check to ensure the ceiling angle is not steeper than 16°.

Closemount-style mounting is more suitable for ceilings lower than 8 ft. high.

Flushmount installation is not available for this item.

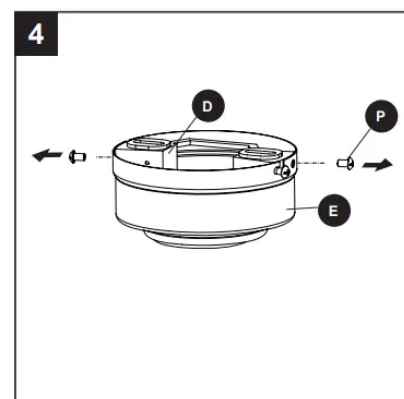


3. Ensure the blades (N) will be at least 30 in. from any obstructions. Also check the downrod (A) length to ensure the blades (N) will be at least 7 ft. above the floor.



4. Loosen all four preassembled mounting bracket screws (P), then completely remove the two mounting bracket screws (P) from the round holes of canopy (E). Set aside for later use.

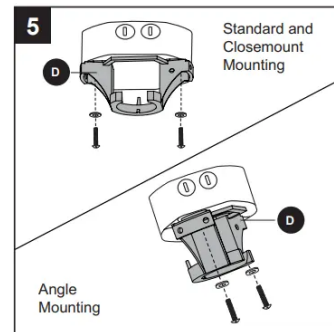
Detach mounting bracket (D) from canopy (E).



5. Attach mounting bracket (D) to outlet box (not included) using screws and washers provided with the outlet box.

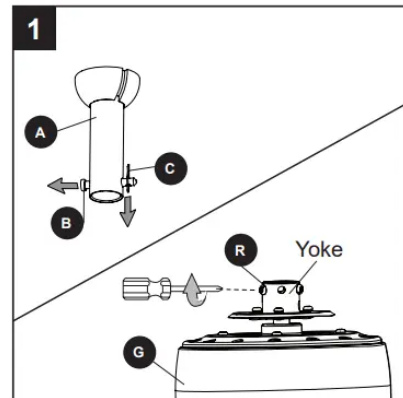
CAUTION: It is very important to use the proper hardware when installing the mounting bracket (D) as this will support the fan.

For Standard or Angle Mounting Instructions, continue to page 9. For Closemount Instructions, proceed to page 11.

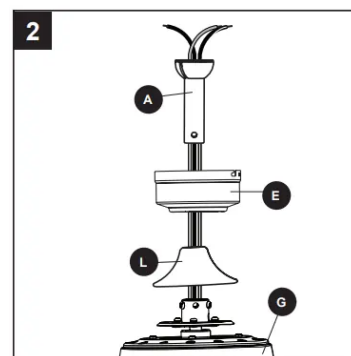


STANDARD OR ANGLE MOUNTING INSTRUCTIONS

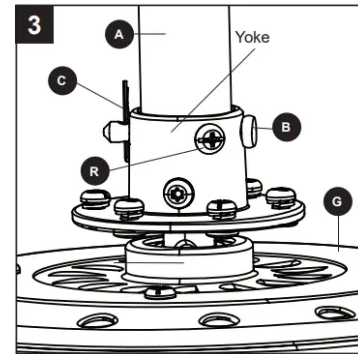
1. Remove the downrod pin (B) and downrod clip (C) from the downrod (A). Then partially loosen the set screws (R) in the yoke at the top of the motor assembly (G).



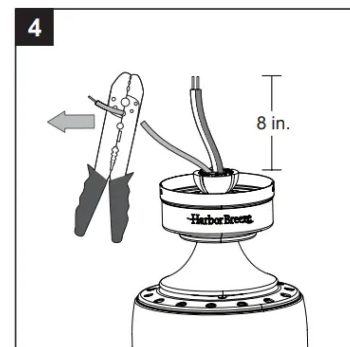
2. Insert the downrod (A) through the canopy (E) and yoke cover (L). Feed the wires from the motor assembly (G) through the downrod (A).



3. Slide the downrod (A) into the yoke of the motor assembly (G), align the holes, then re-install the downrod clip (C) and downrod pin (B). Secure with set screws (R)

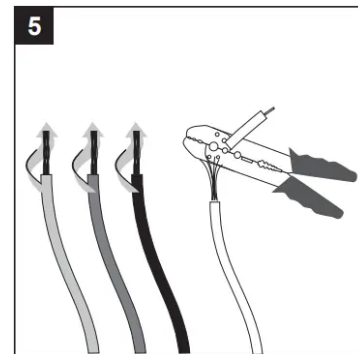


4. Depending on the length of downrod you use, you may need to cut the lead wires back to simplify the wiring. If you decide to cut back the lead wires, take the lead wires and make sure you have pulled them all the way through the top of the downrod. Measure at least 8 inches of lead wire, then cut the excess wire off with wire cutters (not included).



5. If you decided to cut back the lead wire in Step 4, strip 1/2 in. of insulation from the end of the white wire. Twist the stripped ends of each strand of wire within the insulation with pliers (not included). Repeat this step for black and blue wires.

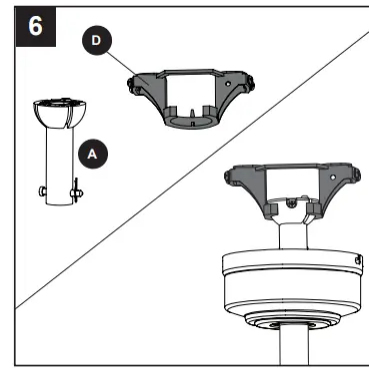
Note: If you did not cut back the lead wires in Step 4, Step 5 is not necessary and you may proceed to Step 6.



6. Install the ball end of the downrod (A) into the opening of mounting bracket (D). Align one of the four slots in the ball with the tab in the mounting bracket (D). **Note:** The downrod (A) should not rotate if installed correctly



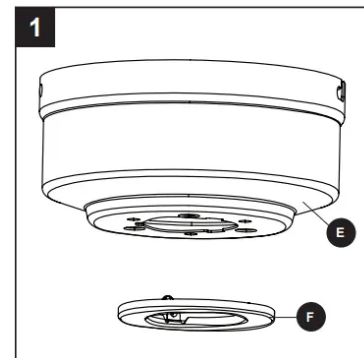
DANGER: Failure to align the slot in the downrod (A) with the tab of the mounting bracket (D) may cause the fan to wobble or fall, which could result in serious injury or death.



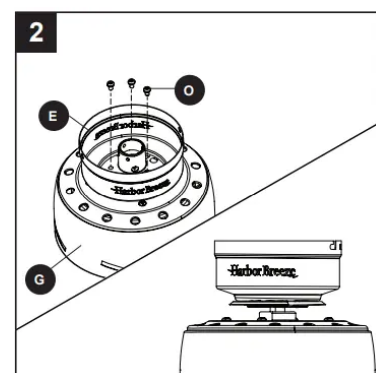
CLOSEMOUNT INSTRUCTIONS

Helpful Hint: The downrod (A), canopy cover (F) and yoke cover (L) are not used in this type of installation.

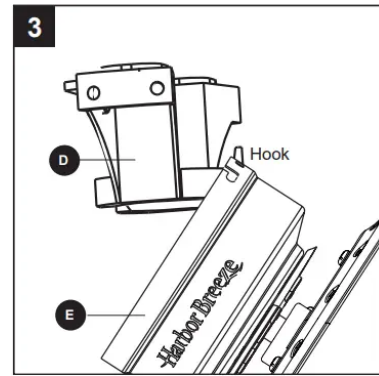
1. Remove the canopy cover (F) from the bottom of the canopy (E).



2. Remove three Phillips-head closemount screws (O) from the top of the motor assembly (G). Align the canopy (E) with the holes in the top of the motor assembly (G), then re-install the Phillips-head closemount screws (O) to secure the canopy (E) to the top of the motor assembly (G).



3. Raise the fan and place the canopy (E) on the hook on the mounting bracket (D), temporarily leaving hands free for the wiring process



WIRING



WARNING: To reduce the risk of fire, electrical shock or personal injury, wire connectors provided with this fan are designed to accept only one 12-gauge house wire and two lead wires from the fan. If your house wire is larger than 12-gauge and there is more than one house wire to connect to the two fan lead wires, consult an electrician for the proper size wire connectors to use.

CAUTION: Be sure the outlet box is properly grounded or that a ground (green or bare) wire is present.

1. Connect household supply and fan wires according to the diagram and these steps:

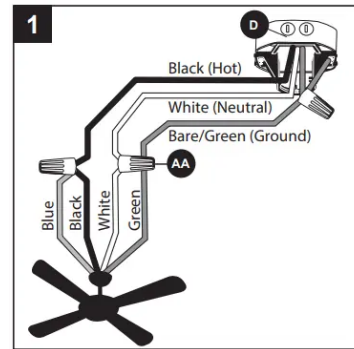
- Connect the Green wire from fan to the Bare/Green supply wire.
- Connect the White wire from the fan to the White supply wire.
- Connect the Blue and Black wires from the fan to the Black supply wire.
- Secure all wiring connections together with wire connectors (AA).

Note: If there is a second hot/power wire coming from the outlet box, connect it to the blue (light power) fan wire for separate light and fan control.

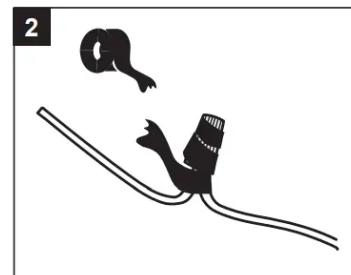
Note: The Black wire is hot power for the fan. The White wire is common for the fan and light kit. The Blue wire is hot power for light. The Green wire is the ground wire. If household supply wires are different colors than referred to above, it is recommended a professional electrician determines the proper wiring.

Hardware Used

 Wire Connector  x 3



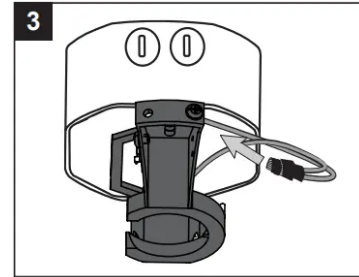
2. Wrap electrical tape (not included) around each individual wire connector (AA) down to the wire.



3. Turn the spliced/taped wires upward and gently push the wires and wire connectors into the outlet box.



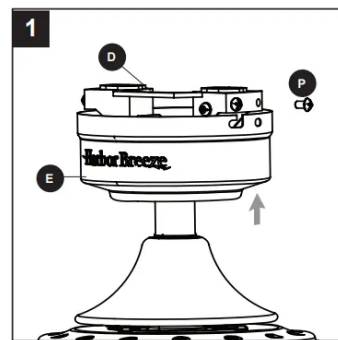
WARNING: Ensure no bare wire or wire strands are visible after making connections. Place the Green and White wire connections on the opposite side of the outlet box from the Black and Blue wire connections.



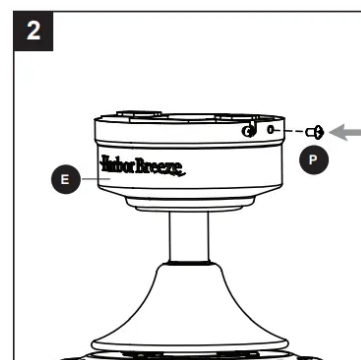
FINAL INSTALLATION

Note Closemount installation will not have the downrod (A), yoke cover (L) or canopy cover (F).

1. Align the canopy (E) over the loosened mounting bracket screws (P) preassembled on mounting bracket (D). Place the keyholes of the canopy (E) onto the mounting bracket screws (P) and rotate the canopy (E) clockwise.



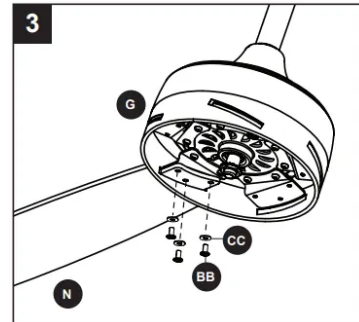
2. Secure the canopy (E) with the mounting bracket screws (P) previously removed (Step 4, page 8). Tighten all mounting bracket screws (P) securely.



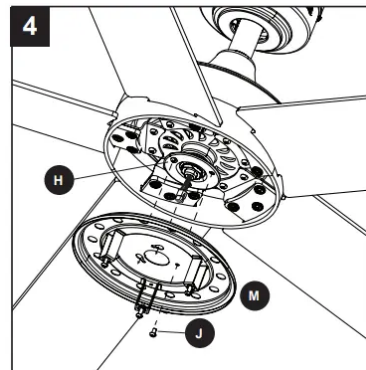
3. Insert blade (N) through slot in the side of the motor assembly (G). Align the holes of one blade (N) with three blade screw holes in underside of the motor assembly (G). Secure with three blade screws (BB) and blade washers (CC). Repeat this step for the remaining blades (N).

Hardware Used

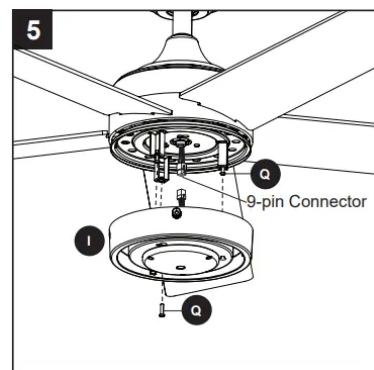
BB	Blade Screw		x 15
CC	Blade Washer		x 15



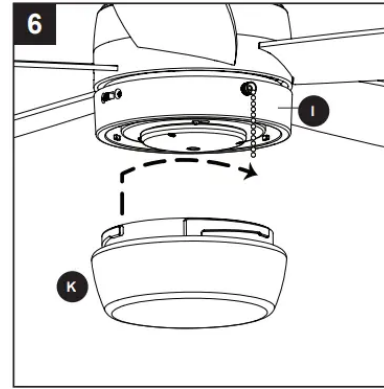
4. Remove one of the three fitter plate screws (J) from the fitter plate (H) on motor assembly (G) and loosen the other two screws. Align the screw holes of the light pan (M) with the loosened fitter plate screws (J). Replace previously removed fitter plate screw (J), then tighten all screws.



5. Remove one of the three light pan screws (Q) from the light pan (M) and loosen the other two screws. Connect the 9-pin connector from the motor assembly (G) to the light kit (I). Align the screw holes of the light kit (I) with the loosened light pan screws (Q) and replace previously removed light pan screw (Q). Tighten all screws.



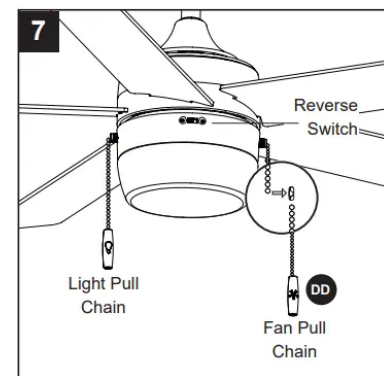
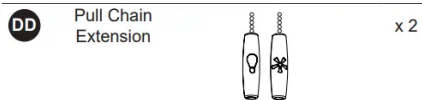
6. Lift the glass bowl (K) into the light kit (I) and twist the glass bowl (K) in a clockwise direction until secure.



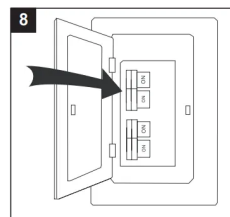
7. Attach the pull chain extensions (DD) or custom pull chain extensions (not included) to the fan and light pull chains (if applicable).

Note: When facing the reverse switch, the light pull chain is on the left and the fan pull chain is on the right.

Hardware Used

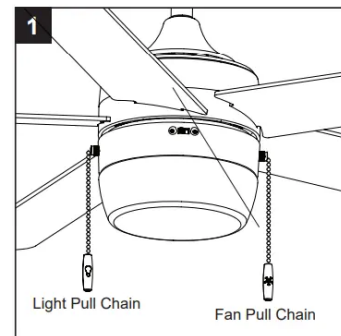


8. Turn on power supply to the fan.
Assembly is complete.



OPERATING INSTRUCTIONS

1. The pull chain has four positions to control the fan speed. One pull is high, two is medium, three is low, and four turns the fan off. The light pull chain turns the light on and off.

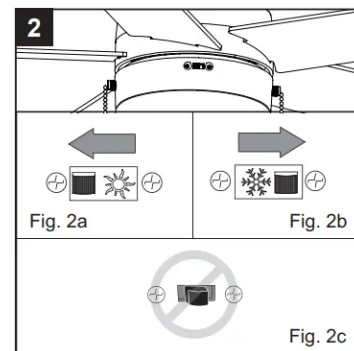


2. Using a ceiling fan will allow you to raise your thermostat setting in summer and lower your thermostat setting in winter without feeling a difference in your comfort.

In warmer weather, push the reverse switch left to display a sun icon, which will result in downward airflow creating a wind chill effect (Fig. 2a).

In cooler weather, push the reverse switch right to display a snowflake icon, which will result in upward airflow that can help move hot air off the ceiling area (Fig. 2b).

Important: The reverse switch must be set either completely left or right in order for the fan to function correctly. If the reverse switch is set in the middle position, the fan will not operate (Fig. 2c).



CARE AND MAINTENANCE

At least twice each year, lower the canopy to check the downrod assembly, and then tighten all screws on the fan. Clean the motor assembly with only a soft brush or lint-free cloth to avoid scratching the finish. Clean the blades with a lint-free cloth.

Total fixture wattage is 18.5 watts; do not attempt to replace LED.

Important: Shut off the main power supply before you begin any maintenance task. Do not use water or a damp cloth to clean the fan.

TROUBLESHOOTING



PROBLEM	POSSIBLE CAUSE	CORRECTIVE ACTION
The fan does not move.	1. The reverse switch is not engaged.	1. Firmly push the reverse switch completely left or right.
	2. The wall switch is turned off.	2. Make sure the wall switch is turned on.
	3. The power is off or the fuse (breaker) is blown.	3. Turn the power on or check the fuse (breaker).
	4. There is a faulty wire connection.	4. Turn the power off and check all connections at the ceiling outlet box.
The fan is noisy	1. The blades are loose.	1. Check and tighten all screws that hold the fan blades to the blade arms and the motor.
	2. There is a cracked blade.	2. Replace the cracked blade.
	3. The wall control is not compatible with the fan.	3. Do not use a full range dimmer switch to control the fan speed.
	4. The outlet box is not secure.	4. Ensure the outlet box is secured to the building structure.
	5. The mounting bracket is not secure.	5. Ensure the mounting bracket is secured to the outlet box and that the screws are tight.
There is excessive wobbling.	1. The blades and/or blade arms are loose.	1. Check and tighten all screws that hold the fan blades to the blade arms and the blade arms to the motor.
	2. The blades are unbalanced.	2. Switch one blade with a blade from the opposite side. Or balance the fan using a blade balancing kit (sold separately).
	3. The fan mounting is not secure.	3. Turn off the power. Loosen the canopy and verify that the mounting bracket is secure to the electrical outlet box. The bracket must be flush without movement against the outlet box. Verify the outlet box is secure.

	4. The fan is too close to the vaulted ceiling.	4. Use a longer downrod (sold separately) or move the fan to another location.
	5. The set screws on the motor assembly yoke is loose.	5. Lift up the yoke cover and tighten the set screws on the yoke until secure.
The fan operates correctly, but the lights are not working (if applicable).	1. The light kit wire plugs are not connected properly.	1. Ensure the plugs in the switch housing are connected properly.
	2. There is a faulty wire connection.	2. Turn the power off and check all connections at the ceiling outlet box.

Warning

This content is compiled from multiple sources and is provided for reference purposes only. It may not be complete or fully applicable to all situations. If you are unable to resolve your issue, please contact the product manufacturer or an authorized service provider for official support.

