

ASSEMBLY

Product Assembly See Figure 1

- Install the dirt cup onto the handheld by rocking into place
- Push the reach wand down onto the powered nozzle until it clicks into place
- Push the handheld down onto the reach wand until it clicks into place
- Before first use, be sure to fully charge the battery. May take up to 3-4 hours. After charging, insert the battery into the handheld.

Wall Mount Assembly See Figure 2

- Choose the desired location for the wall mount.
- Place the mount on the wall at the desired height. Mark the wall anchor locations. Install the anchors and screw the mount to the wall.
- Store the vacuum by firmly pressing the unit into the wall mount to secure.
- Always ensure the vacuum is securely locked into place.
- Accessories can be stored by sliding them onto the top of the wall mount.

OPERATION

Charging your Product See Figure 3

- Charge the battery fully before first use. This will take up to 3-4 hours. Due to federal regulations, the battery does not come fully charged.
- Plug the charger into a power outlet.
- Attach the battery pack to the charger by aligning the ribs on the battery pack to the grooves in the charger. Slide the battery pack into the charger.
- When charging, the lights on the battery will illuminate to show the state of charge. The light on the charger will flash.
- If the light on the charger flashes red, there is an error with the battery or the charger. Try again or call customer service for support.
- Once charge is complete, lights on the battery and charger will turn off.
- To remove the battery pack from the charger, press the latches and pull up on the battery pack.
- During charging, the pack and ambient temperature should be between 32 to 86°F (5 and 30°C).

- The charger will sense if the pack, or ambient temperature, is too cold or too hot, and will return an error code (red LED will be on) and not charge the pack.

Using your Product See Figure 4

- Press the ON/OFF button located on the handle. The ON/OFF button and battery level indicator lights on the handle will illuminate when ON.
- To maximize runtime, activate Eco Mode by pressing the button on the dashboard.
- Blade defaults to hard floor mode with a slow brush roll. For cleaning on carpets, press the Carpet button on the dashboard.

Handheld Mode See Figure 5

- Press the handheld release button. Pull to separate the handheld from the reach wand.
- Choose an accessory.
- Push the accessory into the handheld until it clicks into place.

Cleaning Up High See Figure 6

- Press the powered nozzle release button and pull to remove the powered nozzle from the reach wand.
- Choose an accessory.
- Push the accessory into the reach wand until it clicks into place.

MAINTENANCE

General Maintenance

Avoid using solvents when cleaning plastic parts. Most plastics are susceptible to damage from various types of commercial solvents and may be damaged by their use. Use clean cloths to remove dirt, dust, oil, grease, etc.

This product contains no serviceable parts.

If appliance is not working as it should, has been dropped, damaged, left outdoors or dropped in water, contact customer service at 1.800.406.2005.

Emptying the Dirt Cup See Figure 7

- Remove the battery pack.
- Push down the latch on the dirt cup to release. Tilt and lift to remove the dirt cup from the stick vac.
- Hold the dirt cup over a trash bin and press the dirt cup release button to empty.
- To close, push the door until it locks back into place.
- Replace the dirt cup by rocking it back into place.

Cleaning the Filter and Cyclone See Figure 8

- Pull open the lid of the dirt cup to access the filter.
- To clean the cyclone, lift to remove. Clean dirt and debris by wiping the metal screen with a cloth and then place back into the dirt cup.
- Pull the filter away and tap over a trash can to remove dirt. Rinse filter under warm water until water is clear. Allow filter to dry for 24 hours before reinserting.

Removing and Replacing the Brush Roll See Figure 9

- Remove powered nozzle from reach wand. Using a coin, push and turn the brush roll lock counterclockwise to release the brush roll.
- Pull the brush roll out of the powered nozzle
- To remove any threads or hair, slide the blade of a pair of scissors into the groove of the brush roll and cut along the groove. Clear any dirt/debris from the end caps and inside the housing of the powered nozzle.
- Re-fit the brush roll into the housing and turn the brush roll lock clockwise to lock.

Microfiber Hard Floor Nozzle See Figure 10

- Remove the powered nozzle from the reach wand. Using a coin, push and turn brush roll lock counterclockwise to release the brush roll.
- Gently use your fingers to lift the brush roll from the nozzle cavity on the side closest to the brush roll lock.
- To remove any debris from the brush roll gently wipe with a dry cloth. Clear any dirt/debris from the end caps and inside the housing of the powered nozzle.
- Re-fit the brush roll into the housing and turn the brush roll lock clockwise to lock.

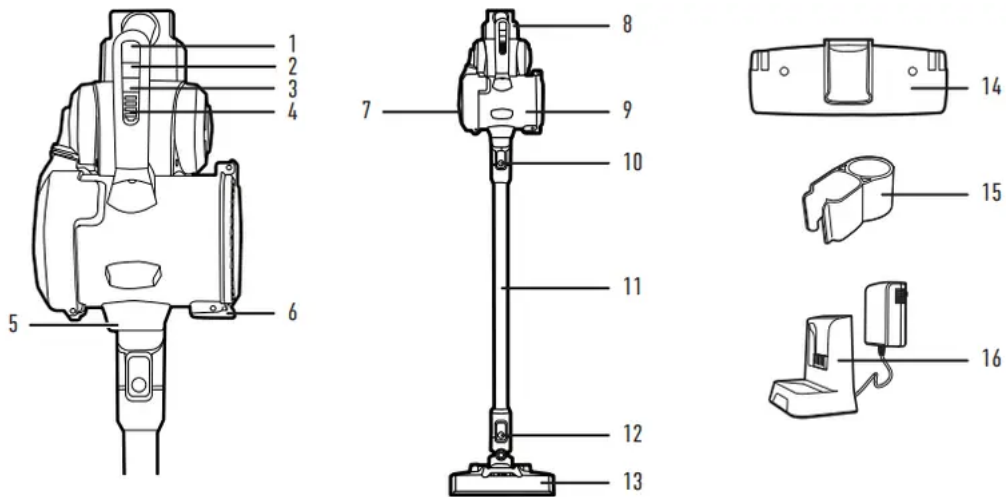
For troubleshooting, please visit Hoover.com Thermal Protector

A thermal protector has been designed into your cleaner to protect it from overheating. When the thermal protector activates, the cleaner will stop running. If this happens, proceed as follows:

1. Turn cleaner OFF and remove battery pack
2. Empty dirt cup
3. Inspect the filter and cyclone for any obstructions. Clear obstructions if present
4. After the battery pack is removed and the motor cools for 30 minutes, reinstall the battery pack. The thermal protector will deactivate and cleaning may continue.

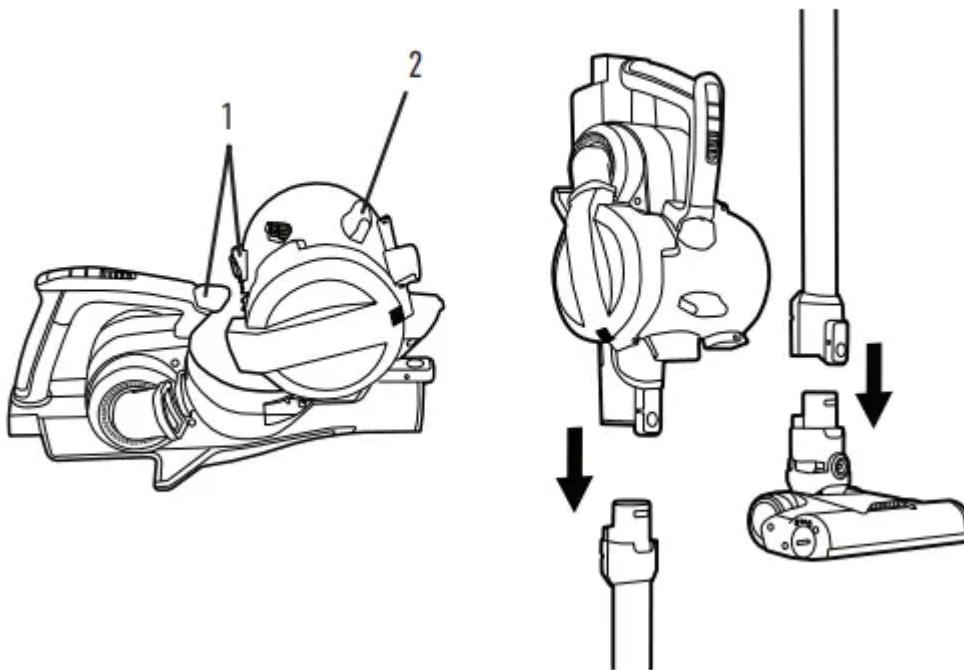
If thermal protector continues to activate after following the above steps, call Customer Service at 1-800-406-2005.

Product Overview



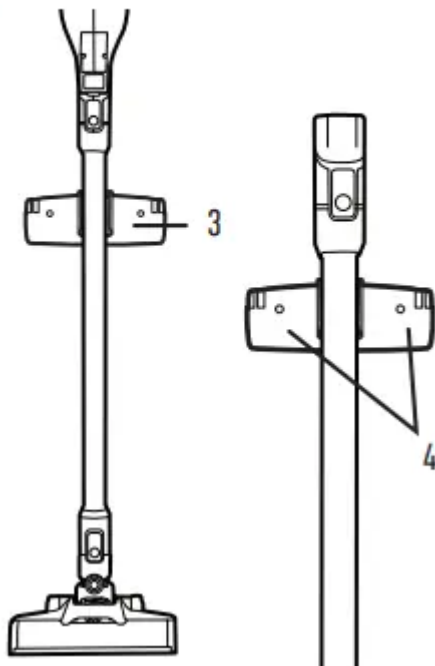
1. ON/OFF Button
2. Carpet ON/OFF Button
3. Eco Mode
4. Battery level indicator
5. Dirt cup removal latch
6. Dirt cup empty button
7. Filter/Cyclone access
8. Battery
9. Dirt Cup
10. Handheld release button
11. Reach pole
12. Reach pole release button
13. Powered nozzle
14. Wall mount
16. Charger

FIG.1



1. Align and rock into place
2. Dirt Cup removal latch

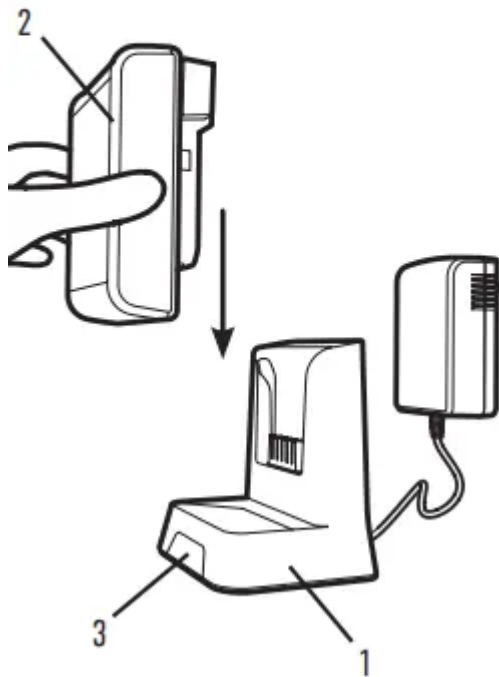
FIG.2



3. Wall Mount
4. Install anchors and screws



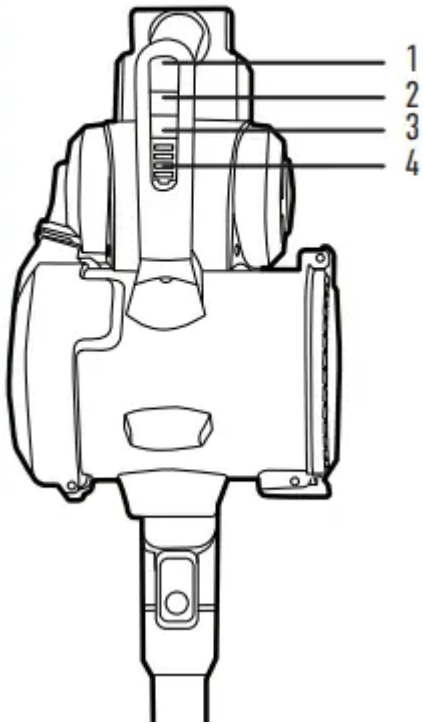
FIG.3



ONEPWR Battery insertion

1. Charger
2. Battery
3. Battery indicator

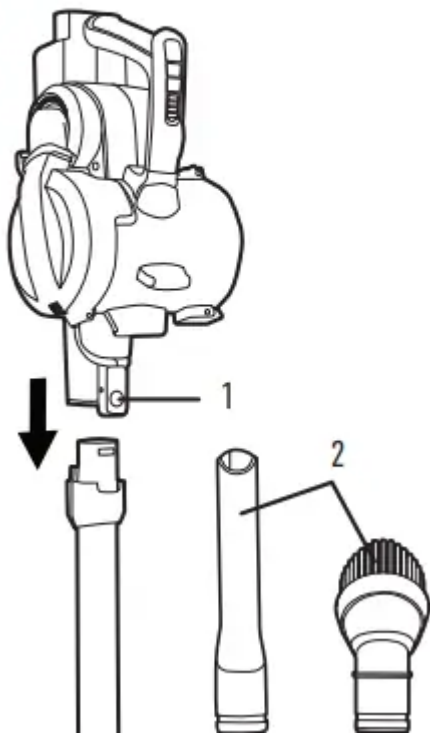
FIG.4



1. ON/OFF Button,
2. Carpet ON/OFF Button
3. Eco Mode
4. Battery level indicator

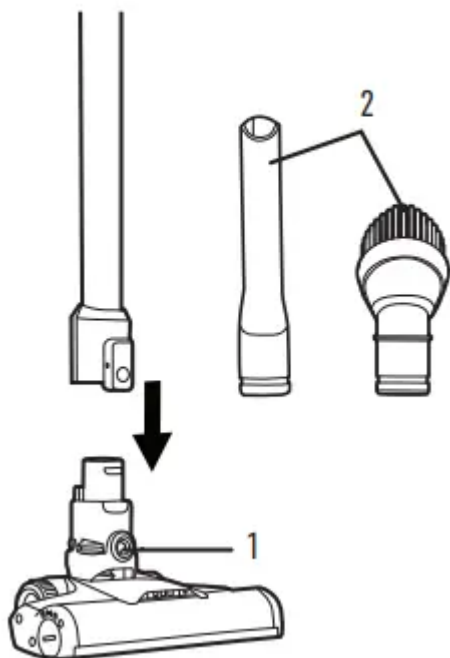


FIG.5



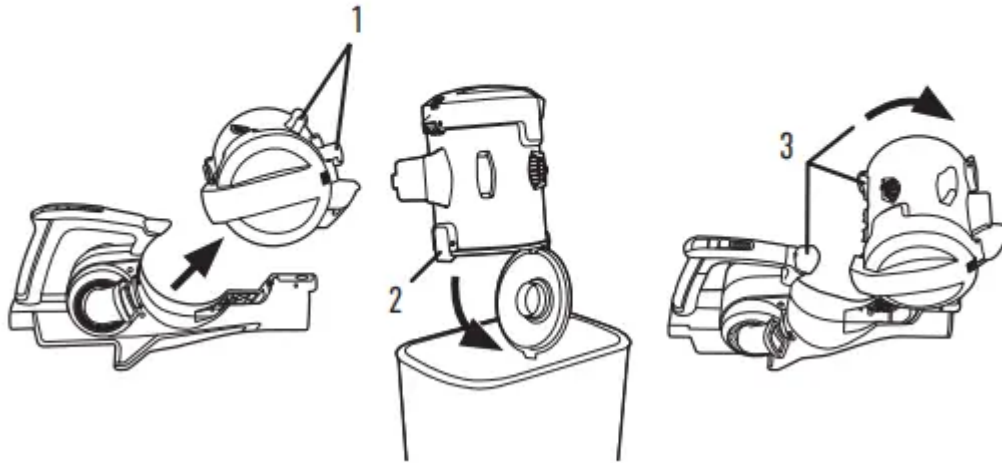
- 1. Handheld release button
- 2. Insert accessory into handheld

FIG.6



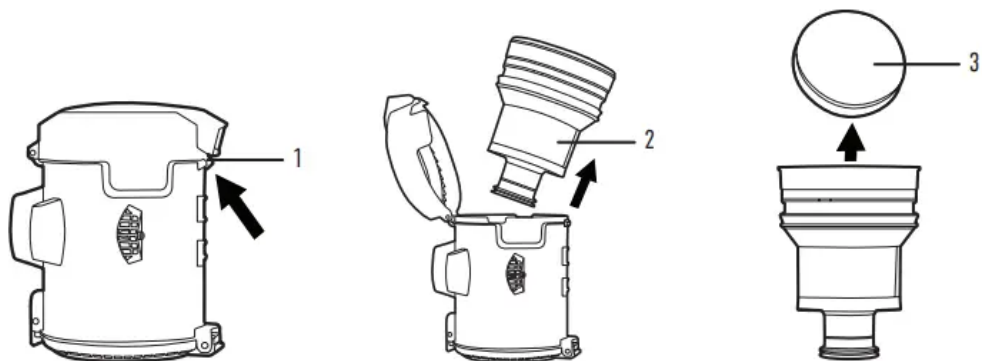
1. Powered Nozzle Release Button
2. Insert accessory into reach pole

FIG.7



1. Dirt Cup removal latch
2. Dirt Cup Release Button
3. Rock into place

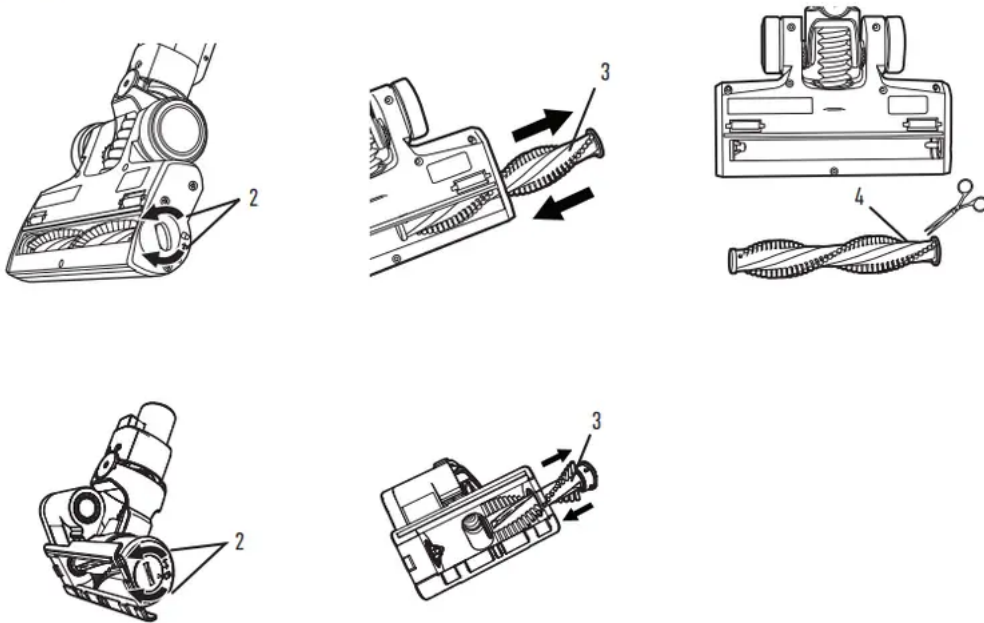
FIG.8



1. Filter and Cyclone access tab
2. Remove cyclone
3. Remove filter



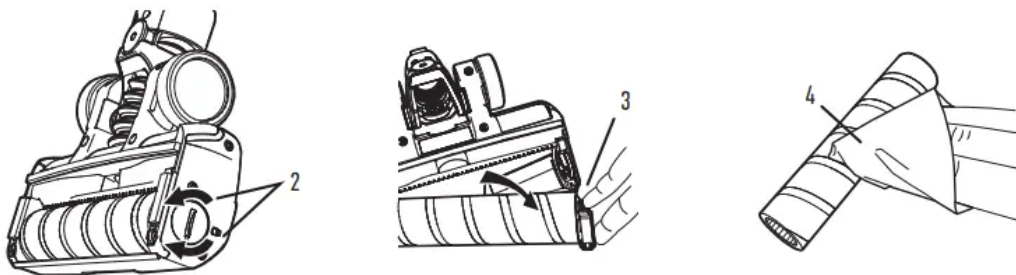
FIG. 9



1. Remove the battery pack
2. Unlock brush roll
3. Remove brush roll
4. Cut along groove

*The Motorized Pet Tool is only included with certain models.

FIG. 10



1. Remove the battery pack
2. Unlock brush roll
3. Remove brush roll
4. Gently wipe stubborn debris from the microfiber brush roll with a dry cloth

Warning

This content is compiled from multiple sources and is provided for reference purposes only. It may not be complete or fully applicable to all situations. If you are unable to resolve your issue, please contact the product manufacturer or an authorized service provider for official support.

Document generated by [ManualsFile](#)

