

Specifications

Model:	SAM34CXI
Rated Voltage:	240V~ 50Hz
Rated Input Power(Microwave):	1580W
Rated Output Power(Microwave):	1000W
Rated Input Power(Grill):	1100W
Rated Input Power(Convection):	2100W
Oven Capacity:	34 L
Turntable Diameter:	∅ 315 mm
External Dimensions:	519x507x315mm
Net Weight:	Approx. 14.38kg

CLEANING

Be sure to unplug the appliance from the power supply.

1. Clean the cavity of the oven after using with a slightly damp cloth.
2. Clean the accessories in the usual way in soapy water.
3. The door frame and seal and neighbouring parts must be cleaned carefully with a damp cloth when they are dirty.
4. Do not use harsh abrasive cleaners or sharp metal scrapers to clean the oven door glass since they can scratch the surface, which may result in shattering of the glass.
5. Cleaning Tip---For easier cleaning of the cavity walls that the food cooked can touch: Place half a lemon in a bowl, add 300ml (1/2 pint) water and heat on 100% microwave power for 10 minutes. Wipe the oven clean using a soft, dry cloth

UTENSILS

See the instructions on "Materials you can use in microwave oven or to be avoided in microwave oven." There may be certain non-metallic utensils that are not safe to use for microwaving. If in doubt, you can test the utensil in question following the procedure below

Utensil Test:

1. Fill a microwave-safe container with 1 cup of cold water (250ml) along with the utensil in question.
2. Cook on maximum power for 1 minute.

3. Carefully feel the utensil. If the empty utensil is warm, do not use it for microwave cooking.
4. Do not exceed 1 minute cooking time.

Materials you can use in microwave oven

Utensils	Remarks
Aluminum foil	Shielding only. Small smooth pieces can be used to cover thin parts of meat or poultry to prevent overcooking. Arcing can occur if foil is too close to oven walls. The foil should be at least 1 inch (2.5cm) away from oven walls.
Browning dish	Follow manufacturer's instructions. The bottom of browning dish must be at least 3/16 inch (5mm) above the turntable. Incorrect usage may cause the turntable to break.
Dinnerware	Microwave-safe only. Follow manufacturer's instructions. Do not use cracked or chipped dishes.
Glass jars	Always remove lid. Use only to heat food until just warm. Most glass jars are not heat resistant and may break.
Glassware	Heat-resistant oven glassware only. Make sure there is no metallic trim. Do not use cracked or chipped dishes.
Oven cooking bags	Follow manufacturer's instructions. Do not close with metal tie. Make slits to allow steam to escape.
Paper plates and cups	Use for short-term cooking/warming only. Do not leave oven unattended while cooking.
Paper towels	Use to cover food for reheating and absorbing fat. Use with supervision for a short-term cooking only.



Utensils	Remarks
Parchment paper	Use as a cover to prevent splattering or a wrap for steaming.
Plastic	Microwave-safe only. Follow the manufacturer's instructions. Should be labeled "Microwave Safe". Some plastic containers soften, as the food inside gets hot. "Boiling bags" and tightly closed plastic bags should be slit, pierced or vented as directed by package.
Plastic wrap	Microwave-safe only. Use to cover food during cooking to retain moisture. Do not allow plastic wrap to touch food.
Thermometers	Microwave-safe only (meat and candy thermometers).
Wax paper	Use as a cover to prevent splattering and retain moisture.

Materials to be avoided in microwave oven



Utensils	Remarks
Aluminum tray	May cause arcing. Transfer food into microwave-safe dish
Food carton with metal handle	May cause arcing. Transfer food into microwave-safe dish
Metal twist ties	May cause arcing and could cause a fire in the oven.
Paper bags	May cause a fire in the oven.
Plastic foam	Plastic foam may melt or contaminate the liquid inside when exposed to high temperature.
Wood	Wood will dry out when used in the microwave oven and may split or crack.

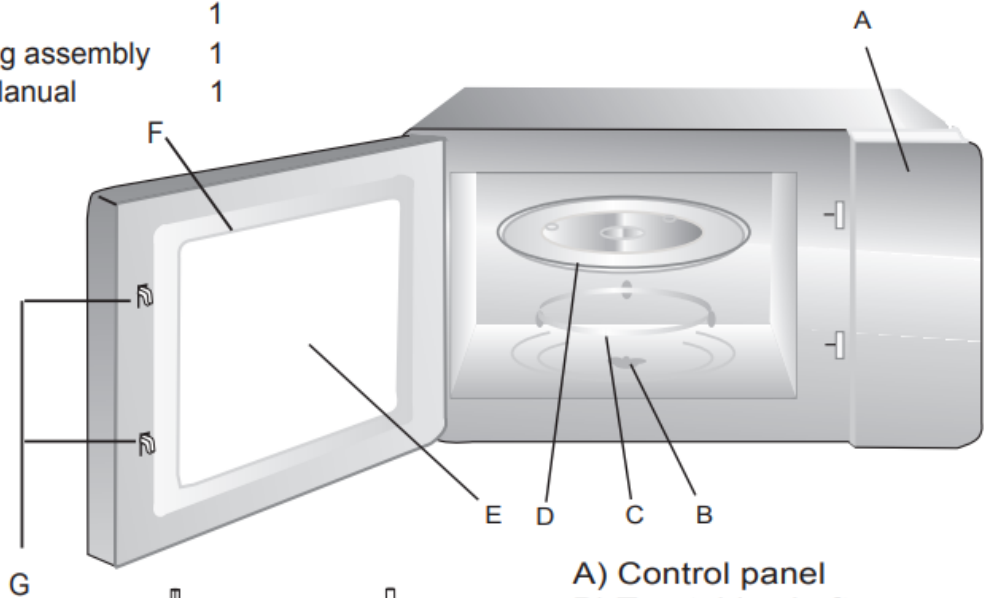
SETTING UP YOUR OVEN

Names of Oven Parts and Accessories

Remove the oven and all materials from the carton and oven cavity.

Your oven comes with the following accessories:

- Glass tray 1
- Turntable ring assembly 1
- Instruction Manual 1



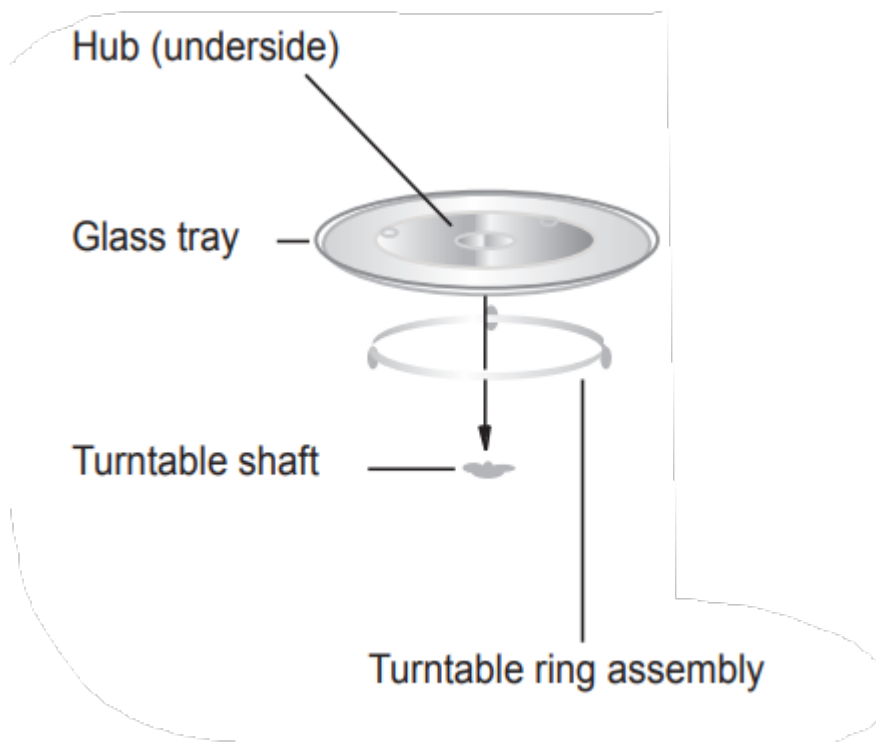
G



Grill Rack(Can not be used in microwave function and must be placed on the glass tray)

- A) Control panel
- B) Turntable shaft
- C) Turntable ring assembly
- D) Glass tray
- E) Observation window
- F) Door assembly
- G) Safety interlock system

Turntable Installation



- a. Never place the glass tray upside down. The glass tray should never be restricted.
- b. Both glass tray and turntable ring assembly must always be used during cooking.
- c. All food and containers of food are always placed on the glass tray for cooking.

- d. If glass tray or turntable ring assembly cracks or breaks, contact your nearest authorized service center.

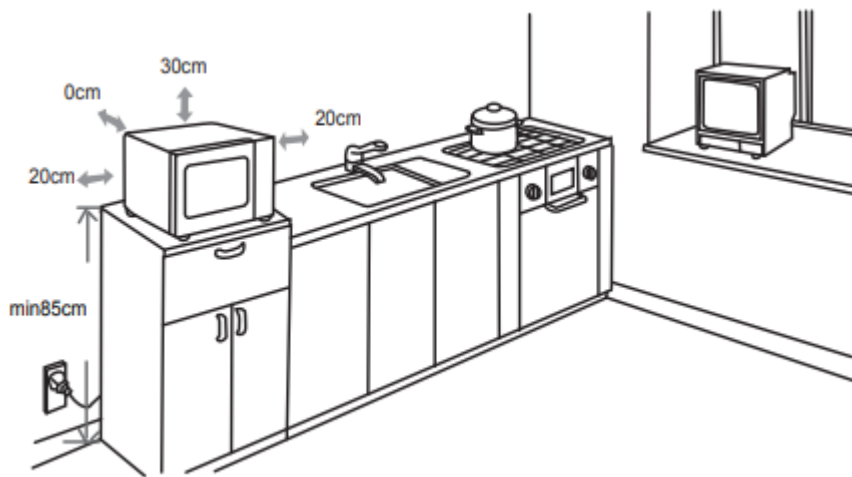
Countertop Installation

Remove all packing material and accessories. Examine the oven for any damage such as dents or broken door. Do not install if oven is damaged.

Cabinet: Remove any protective film found on the microwave oven cabinet surface. Do not remove the light brown Mica cover that is attached to the oven cavity to protect the magnetron

Installation

1. Select a level surface that provide enough open space for the intake and/or outlet vents.



- (1) The minimum installation height is 85cm.
(2) The rear surface of appliance shall be placed against a wall.

Leave a minimum clearance of 30cm above the oven, a minimum clearance of 20cm is required between the oven and any adjacent walls.

- (3) Do not remove the legs from the bottom of the oven.
(4) Blocking the intake and/ or outlet openings can damage the oven.
(5) Place the oven as far away from radios and TV as possible. Operation of microwave oven may cause interference to your radio or TV reception.

2. Plug your oven into a standard household outlet. Be sure the voltage and the frequency is the same as the voltage and the frequency on the rating label.

WARNING: Do not install oven over a range cooktop or other heat-producing appliance. If installed near or over a heat source, the oven could be damaged and the warranty would be void.

OPERATION INSTRUCTION

This microwave oven uses modern electronic controls to meet your cooking needs.

1. Clock Setting

When the microwave oven is Powered On, the oven will display "0:00", and the buzzer will ring once.

1) Press " **CLOCK/KITCHEN TIMER** " once. "00:00" displays.



2) Turn " " to adjust the hour figures, the input time should be within 0--23(24-hour).

3) Press " **CLOCK/KITCHEN TIMER** ", the minute figures will flash.



4) Turn " " to adjust the minute figures, the input time should be within 0--59.

5) Press " **CLOCK/KITCHEN TIMER**" to finish clock setting. ":" will flash.

Note: 1) If the clock is not set, it would not function when powered.

2) During the process of clock setting, if you press " **STOP/CLEAR** ", the oven will go back to the previous status automatically.

2. Kitchen Timer

(1) Press " **CLOCK/KITCHEN TIMER** " twice, the screen will display 00:00.



(2) Turn " " to enter the correct timer. (The maximum cooking time is 95 minutes.)


(3) Press " **START/+30SEC./CONFIRM** " to confirm setting.

(4) When the kitchen time is reached, the buzzer will ring 5 times. If the clock has been set to the (24-hour system), the screen will display the current time.

Note: The kitchen Time is different from 24-hour system. Kitchen Timer is a timer

3. Microwave Cooking

Press " **Microwave** " once, the screen will display "P100". Press " **Microwave** "repeatedly to choose the power you want, and "P100", "P 80" "P 50", "P 30" or "P 10" will display for each added

press. Then press "**START/+30SEC./CONFIRM** " to confirm, and turn "  " to adjust the cooking time. (The maximum cooking time is 95 minutes.)

Press" **START/+30SEC./CONFIRM** " again to start cooking.

Example: If you want to use 80% microwave power to cook for 20 minutes, you can operate the oven with the following steps.

- 1) Press " Microwave " once, the screen displays "P100".
- 2) Press "Microwave " once again to choose 80% microwave power.
- 3) Press "Start/+30Sec./Confirm " to confirm, and the screen displays "P 80".



- 4) Turn " " to adjust the cooking time until the oven displays "20:00".
- 5) Press " Start/+30Sec./Confirm" to start cooking .

NOTE: The step quantities for the adjustment time of the coding switch are as follow:

0---1 min : 5 seconds

1---5 min : 10 seconds

5---10 min : 30 seconds

10---30 min : 1 minute

30---95 min : 5 minutes

Microwave Power Chart

Press	Once	Twice	Thrice	4 times	5 times
Microwave Power	100%	80%	50%	30%	10%

4. Grill or Combi. Cooking

Press "**Grill/Combi.**" once, the screen will display "G-1", and press "**Grill/Combi.**" repeatedly or



turn the " " to choose the power you want, and "G-1", "C-1", "C-2", "C-3" or "C-4" will display



for each added press. Then press "**Start/+30Sec./Confirm**" to confirm, and turn " " to adjust the cooking time. (The maximum setting time is 95 minutes.) Press "**Start/+30Sec./Confirm**" again to start cooking.

Example: If you want to use grill power to cook for 10 minutes, you can operate the oven as the following steps.

- 1) Press " **Grill/Combi.** " once, the screen displays "G-1".
- 2) Press " Start/+30Sec./Confirm " to confirm.



- 3) Turn " " to adjust the cooking time until the oven displays "10:00".
- 4) Press " **Start/+30Sec./Confirm** " to start cooking.

Note: If half the grill time passes, the oven sounds twice, and this is normal.

In order to have a better effect of grilling food, you should turn the food over, close the door, and press "**S tart/+30S e c./C onfi rm**" to continue cooking. If no operation the oven will continue cooking.

5. Convection Cooking (With preheating function)

The convection cooking can let you to cook the food as a traditional oven. Microwave is not used. It is recommended that you should preheat the oven to the appropriate temperature before placing the food in the oven.

1) Press the "**CONVECTION**" key once, "150" flash.



2) Keep pressing "**CONVECTION**" or turn "  " to select the convection temperature.


Note: The temperature can be chosen from 150 degrees to 200 degrees.

3) Press the "**START/+30SEC./CONFIRM**" to confirm the temperature.

4) Press the "**START/+30SEC./CONFIRM**" to start preheating. When the preheating temperature arrives, the buzzer will sound twice to remind you to put the food into the oven. And the preheated temperature is displayed and flashes.

5) Put the food into the oven and close the door.



Turn "  " to adjust the cooking time. (The maximum setting time is 95 minutes.)

6) Press the "**START/+30SEC./CONFIRM**" key to start cooking.


Note: a. Cooking time cannot be input until the preheating temperature arrives. If the temperature arrives, door must be opened to input the cooking time.

b. If the time not input in 5 minutes, the oven will stop preheating. The buzzer sounds five times and turn back to waiting state.

6. Convection Cooking (Without pre-heating function)

1) Press the "**CONVECTION**" key once, "150" flash.




2) Keep pressing "**CONVECTION**" or turn "  " to select the convection temperature.

Note: The temperature can be chosen from 150 degrees to 200 degrees.

3) Press the "**START/+30SEC./CONFIRM**" to confirm the temperature.



4) Turn "  " to adjust the cooking time. (The maximum setting time is 95 minutes.)

5) Press the "**START/+30SEC./CONFIRM**" key to start cooking.

7. Multi-Stage Cooking

Two stages can be maximally set. If one stage is defrosting, it should be put in the first stage. The buzzer will ring once after each stage and the next stage will begin.

Note: Auto menu and preheating cannot be set as one of the multi-stage.

Example: If you want to defrost the food for 5 minutes, then to cook with 80% microwave power for 7 minutes. The steps are as following:

1) Press "**W.T./TIME DEFROST**" twice, the screen will display "d-2";



2) Turn " " to adjust the defrost time of 5 minutes;

3) Press "**MICROWAVE**" once, "P100" will display;

4) Press "**MICROWAVE**" again to choose 80% microwave power till "P 80" displays;

5) Press "**START/+30SEC./CONFIRM**" to confirm;



6) Turn " " to adjust the cooking time of 7 minutes;

7) Press "**START/+30SEC./CONFIRM**" to start cooking.

8. Speedy Cooking

1) In waiting state, press "**START/+30SEC./CONFIRM**" key to cook with 100% power level for 30 seconds. Each press on the same key can increase 30 seconds. The maximum cooking time is 95 minutes.

2) During microwave, grill, convection and combination states, cooking time can be increased by pressing " **START/+30 S E C./CO NFIRM**". Each press can increase 30 seconds.

Note: This function cannot work under weight defrost and auto menu cooking.

9. Auto Menu



1) In waiting state, turn " " right to choose the function wanted, and "A1","A2","A3"...."A10" will be displayed.

2) Press "**START/ +30 SEC./CONFIRM**" to confirm the menu you need.



3) Turn " " to choose the weight of menu, and "g" indicator will light.

4) Press "**START/ +30 SEC./CONFIRM**" to start cooking.

Note: When you choose A9 cake, please do not put the cake into the oven at the beginning. The oven needs to be preheated to 160 degrees first. After several minutes, the buzzer sounds twice to remind you to put the cake into the oven. After putting the cake in the oven, please press start again. The timer will count down, and the cake will be cooked perfectly.

10. Defrost by W.T.

1) Press "**W.T./TIME DEFROST**" pad once, the oven will display "d-1".



2) Turn " " to select the weight of food. At the same time, "g" will light. The weight should be within 100-2000g.

3) Press "**START/+30SEC./CONFIRM**" key to start defrosting.

11. Defrost by Time

1) Press " **W.T./TIME DEFROST** " key twice, the oven will display "d-2".



2) Turn " " to select the cooking time. The maximum setting time is 95 minutes.


3) Press " **START/+30SEC./CONFIRM**" key to start defrosting.


12. Inquiring Function

(1) During cooking state, press "**CLOCK/KITCHEN TIMER**" to check the current time. It will be displayed for 2-3 seconds.

(2) In cooking state, press "**MICROWAVE**", "**GRILL/ COMBI.**" or "**CONVECTION**", the current power will be displayed for 2-3 seconds.

13. Child Lock

Lock: In waiting state, press "**STOP/CLEAR**" for 3 seconds, there will be a long "beep" denoting entering into the children-lock state and "  " indicator will light. The screen will display current time or 0:00.

Unlock: In locked state, press "**STOP/CLEAR**" for 3 seconds, there will be a long "beep" denoting that the lock is released, and "  " indicator will disappear.

14. Specification

(1) The buzzer will sound once when turning the knob at the beginning.

(2) "**START/+30 SEC./CONFIRM**" must be pressed to continue cooking if the door is opened during cooking.

(3) Once the cooking programmer has been set , "**START/+30 SEC./CONFIRM**" is not pressed in 5 minutes. The current time will be displayed. The setting will be cancelled.

(4) The buzzer sounds once by efficient press, inefficient press will be no response.

(5) The buzzer will sound five times to remind you when cooking is finished.

Trouble shooting

Normal	
Microwave oven interfering TV reception	Radio and TV reception may be interfered when microwave oven operating. It is similar to the interference of small electrical appliances, like mixer, vacuum cleaner, and electric fan. It is normal.
Dim oven light	In low power microwave cooking, oven light may become dim. It is normal.
Steam accumulating on door, hot air out of vents	In cooking, steam may come out of food. Most will get out from vents. But some may accumulate on cool place like oven door. It is normal.
Oven started accidentally with no food in.	It is forbidden to run the unit without any food inside. It is very dangerous.

Trouble	Possible Cause	Remedy
Oven can not be started.	(1) Power cord not plugged in tightly.	Unplug. Then plug again after 10 seconds.
	(2) Fuse blowing or circuit breaker works.	Replace fuse or reset circuit breaker (repaired by professional personnel of our company)
	(3) Trouble with outlet.	Test outlet with other electrical appliances.
Oven does not heat.	(4) Door not closed well.	Close door well.
Glass turntable makes noise when microwave oven operates	(5) Dirty roller rest and oven bottom.	Refer to "Maintenance of Microwave" to clean dirty parts.

Warning

This content is compiled from multiple sources and is provided for reference purposes only. It may not be complete or fully applicable to all situations. If you are unable to resolve your issue, please contact the product manufacturer or an authorized service provider for official support.

Document generated by [ManualsFile](#)