

OPERATING YOUR MICROWAVE OVEN

Settings

Clock

The clock is a 12-hour (12:00-11:59) clock. Touch CLOCK, enter time, then touch CLOCK or the Start control.

Timer

With the microwave oven in Standby mode, touch the Timer control, enter time, then touch the Timer control or the Start control. Cook functions may be entered while the Timer is counting down. To cancel timer, touch Timer control while the Timer countdown is active in the display.

Control Lock

Activate to avoid unintended start. Touch and hold the Cancel control for about 3 seconds until 2 tones sound and Padlock icon appears in the display. Repeat to unlock control.

Vent Fan

High ("SPd2"), low ("SPd1") and off. Comes on automatically as cooling fan during any cook function.

Vent Timer (on some models): Set vent fan to run for exactly 30 minutes, or to run for only 30 minutes more (off after 30 minutes). The vent fan may be turned off at any time using the Vent Fan control. Touch and hold number keypad "4" for about 3 seconds, until a tone sounds and the vent fan turns on.

Tones

Programming tones and signals. Programming tones may be turned off, or all tones (including end-of-function signals) may be turned off. To turn off programming tones, touch and hold number keypad "1" for about 3 seconds, until a confirmation tone sounds. Repeat to turn back on programming tones. To turn off all tones, touch and hold number keypad "2" for about 3 seconds, until a confirmation tone sounds. Repeat to turn back on all tones.

Demo Mode

Activate to practice using the control without actually turning on the magnetron. Touch and hold number keypad "3" for about seconds, until a confirmation tone sounds, and "DEMO" icon lights up in the display. Repeat to deactivate.

Standby Mode

When no functions are working (12-hour clock is displayed or if the clock has not been set), oven will switch to Standby Power mode and dim the LED brightness after 5 minutes. Press any button or open/close the door, and then display will return to the normal brightness.

Turntable

For best cooking results, do not operate the microwave oven without having the turntable in place.

Cookware and Dinnerware

Microwave-Safe

- Browning dish (Follow manufacturer recommendations.)
- Ceramic glass, glass
- China, earthenware (Follow manufacturer recommendations.)
-) ■ Melamine (Follow manufacturer recommendations.)
- Paper towels, paper plates, napkins (Use non-recycled paper.)
- Plastic wraps, bags, covers, dinnerware, containers (Follow manufacturer recommendations.)
- Pottery and clay (Follow manufacturer recommendations.)
- Silicone bakeware (Follow manufacturer recommendations.)
- Wax paper

Do Not Use

- Metal cookware and bakeware
- Straw or wicker
- Gold, silver, or pewter
- Non-approved meat thermometers, skewers
- Twist ties
- Foil liners, such as sandwich wrappers
- Staples
- Objects with gold or silver trim or with metallic glaze

To Test Cookware/Dinnerware: Place dish in microwave oven with 1 cup (250 mL) of water beside it. Program 1 minute of cook time at 100%. If dish becomes hot and the water stays cool, do not use the dish in the microwave oven.

Microwave Oven Use

For list of preset programs, see the Cooking Guide label on the front facing of the microwave oven opening, behind the door.

Manual Cooking/Stage Cooking

Touch COOK TIME, touch number keypads to enter time, touch COOK POWER (if not 100%), touch number keypads to enter power level (10-90), then touch the Start control.

If programming additional stages, enter the cook time and cook power of each before touching the Start control.

Preset Cooking

Touch COOK, enter number code of food item, enter quantity, then touch the Start control.

Preset Reheating

Touch REHEAT, enter number code of food item, enter quantity if needed, then touch the Start control.

Preset Defrosting

Unwrap food. Touch DEFROST, enter number code of food item, enter weight, then touch the Start control.

Soften/Melt

Touch SOFTEN/MELT, enter number code of food item, enter quantity, then touch the Start control.

Popcorn

Touch POPCORN. Enter bag size in ounces: 3.0 or 3.5 (85 or 99 g), then touch Start control.

(Baked) Potato

Touch (BAKED) POTATO. Enter number of potatoes: 1, 2, 3 or 4, about 10 to 13 oz (283 to 367 g) each, then touch Start control.

NOTE: Place fork-pierced potatoes around turntable edges, at least 1" (2.5 cm) apart. Place a single potato to the side of the turntable (not in the center).

Pizza (reheat)

Touch PIZZA. Enter number of slices: 1, 2 or 3, about 4 oz (113 g) each, then touch Start control.

MICROWAVE OVEN CARE

General Cleaning

IMPORTANT: Before cleaning, make sure all controls are OFF and the microwave oven is cool. Always follow label instructions on cleaning products.

To avoid damage to the microwave oven caused by arcing due to soil buildup, keep cavity, microwave inlet cover, cooking rack supports, and area where the door touches the frame clean.

Clean with mild soap, water, and a soft cloth or sponge or as indicated below.

- Grease filter: mild soap and water or dishwasher.
- Door and exterior: mild soap and water, or glass cleaner applied to paper towel.
- Control panel: sponge or soft cloth and water.
- Stainless steel (on some models): mild soap and water, then rinse with clean water and dry with soft cloth, or use stainless steel cleaner.
- Turntable: mild soap and water or dishwasher.

Installing/Replacing Filters and Light Bulbs

- Grease filters: Grease filters are on the underside of microwave oven. Clean monthly. Slide the filter away from the tab area and drop out the filter. To reinstall, place end of the filter into the opening opposite the tab area, swing up the other end, and slide it toward the tab area.
- Charcoal filter: The charcoal filter is behind the vent grille at the top front of the microwave oven. The charcoal filter cannot be cleaned and should be replaced about every 6 months. Remove 2 screws on the vent grille, slide the vent grille to the left, tilt it forward, lift it out, and remove the filter. To reinstall, place the filter into its 2-hook area with the wire mesh side to the front. Replace the vent grille by inserting the 3 bottom latch hooks of the vent grille into the front holes, tilt the vent grille backwards, slide it to the right, and secure with screws.
- Cooktop light: The cooktop light is located on the underside of the microwave oven and is replaceable. Remove bulb cover screws and open the bulb cover. Replace bulb, close bulb cover, and secure with screws.
- Cavity light: The cavity light bulb is located behind the vent grille at the top front of the microwave oven, under the bulb cover, and is replaceable. Remove 2 screws on the vent grille, slide the vent grille to the left, tilt it forward, and lift it out. Open the bulb cover and replace bulb. To reinstall, close bulb cover. Replace the vent grille by inserting the 3 bottom latch hooks of the vent grille into the front holes, tilt the vent grille backwards, slide it to the right, and secure with screws.

ACCESSORIES

Following is a list of available parts and supplies which may be purchased separately. Please refer to the “Warranty” section for contact information.

Replacement Parts

- Turntable
- Turntable support and rollers
- Turntable hub
- Grease filter
- Charcoal filter
- Cooktop light bulb
- Cavity light bulb

Cleaning Supplies

- Heavy-duty degreaser
- affresh® Kitchen Appliance Cleaner
- affresh® Stainless Steel Cleaner
- affresh® Stainless Steel Wipes

TROUBLESHOOTING

First try the solutions suggested here. If you need further assistance or more recommendations that may help you avoid a service call, refer to the warranty page in this manual and scan the code with your mobile device.

If you experience	Recommended Solutions
<p>Microwave oven will not operate</p>	<p>Check the following:</p> <ul style="list-style-type: none"> ■ Household fuse or circuit breaker: If a household fuse has blown or a circuit breaker has tripped, replace the fuse or reset the circuit breaker. If the problem continues, call an electrician. ■ Magnetron: Try to heat 1 cup (250 mL) of cold water for 2 minutes at 100% cooking power. If water does not heat, try the steps in the bullets below. If microwave oven still does not operate, call for service. ■ Door: Firmly close door. On some models, if a packaging spacer is attached to inside of the door, remove it, then firmly close door. If a message about the door appears in the display, the door has been closed for 5 minutes or more without the microwave oven being started. This occurs to avoid unintended starting of the microwave oven. Open and close the door, then start the cycle. ■ Control: Make sure control is set properly. Make sure Control Lock is OFF. Make sure Demo mode (on some models) is OFF.
<p>Arcing in the microwave oven</p>	<p>Check the following:</p> <ul style="list-style-type: none"> ■ Soil buildup: Soil buildup on cavity walls, microwave inlet cover, cooking rack supports, and area where the door touches the frame can cause arcing. See “General Cleaning” in the “Microwave Oven Care” section.
<p>Turntable alternates rotation directions</p>	<ul style="list-style-type: none"> ■ This is normal and depends on motor rotation at the beginning of the cycle.
<p>Display shows messages</p>	<ul style="list-style-type: none"> ■ A flashing “:” or “PF” means there has been a power failure. Reset the clock. ■ A letter followed by a number is an error indicator. Call for assistance.
<p>Fan running during cooktop usage</p>	<ul style="list-style-type: none"> ■ This is normal. The microwave oven’s cooling fan, which is separate from the vent fan, automatically comes on during microwave oven operation to cool the microwave oven. It may also automatically come on and cycle on and off to cool the microwave oven’s controls while the cooktop below is being used.
	<p>Check the following:</p>



Radio, TV, or cordless phone interference

- Proximity: Move the receiver away from the microwave oven, or adjust the radio or TV antenna.
- Soil: Make sure the microwave oven door and sealing surfaces are clean.
- Frequency: Some 2.4 GHz-based cordless phones and home wireless networks may experience static or noise while microwave oven is on. Use a corded phone, a different frequency cordless phone or avoid using these items during microwave oven operation.

INSTALLATION INSTRUCTIONS

Remove Mounting Plate

Depending on your model, the mounting plate may be in the foam packaging, or it may be attached to the back of the microwave oven.

NOTE: To avoid possible damage to the work surface, cover the work surface.

1. Remove any remaining contents from the microwave oven cavity.
2. If the mounting plate is attached to the back of the microwave oven, remove it and set it aside.
3. Tape the microwave oven door closed so that the door does not swing open while the microwave oven is being handled.

NOTE: To avoid damage to the microwave oven, do not grip or use the door or door handle while the microwave oven is being handled.

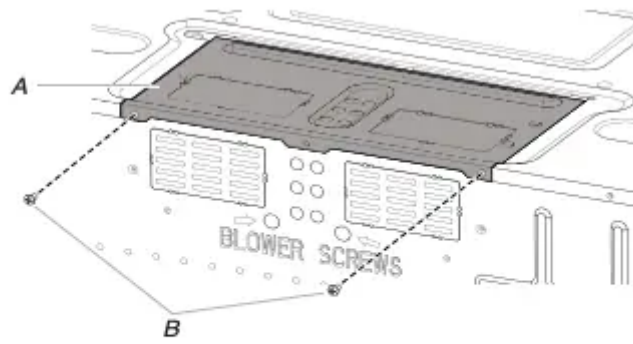
Rotate Blower Motor

The microwave oven is set for recirculation installation. For wall or roof venting, changes must be made to the venting system.

NOTE: Skip this section if you are using recirculation installation. Keep the damper assembly in case the venting method is changed, or the microwave oven is reinstalled in another location where wall or roof venting may be used.

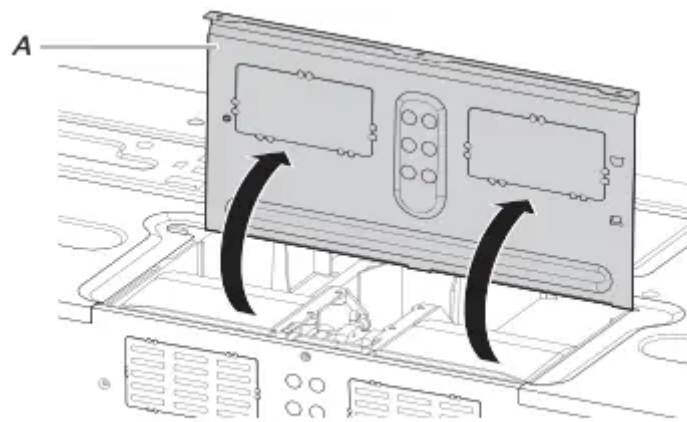
Wall Venting Installation Only

1. Remove screws attaching damper plate to back of microwave oven, set the screws aside.



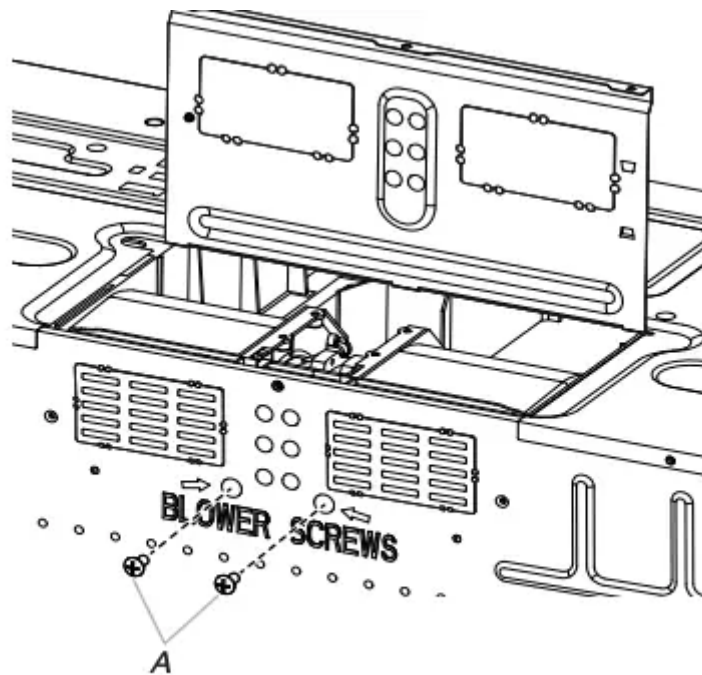
A. Damper plate
B. Screws

2. Turn and hold the damper plate vertically as shown.



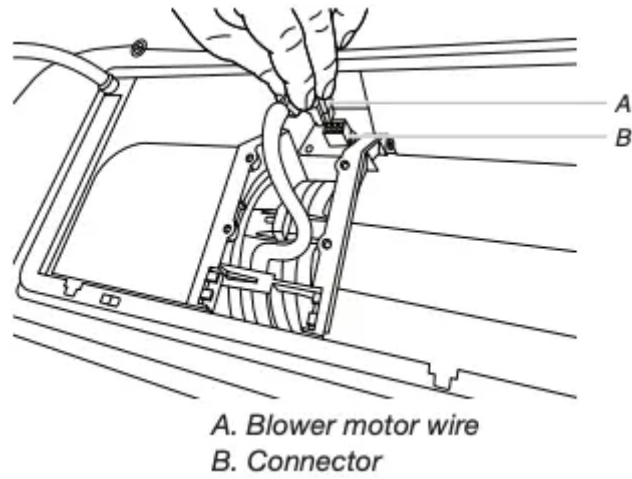
A. Damper plate

3. Remove two blower screws attaching blower motor to the microwave oven, and set aside.

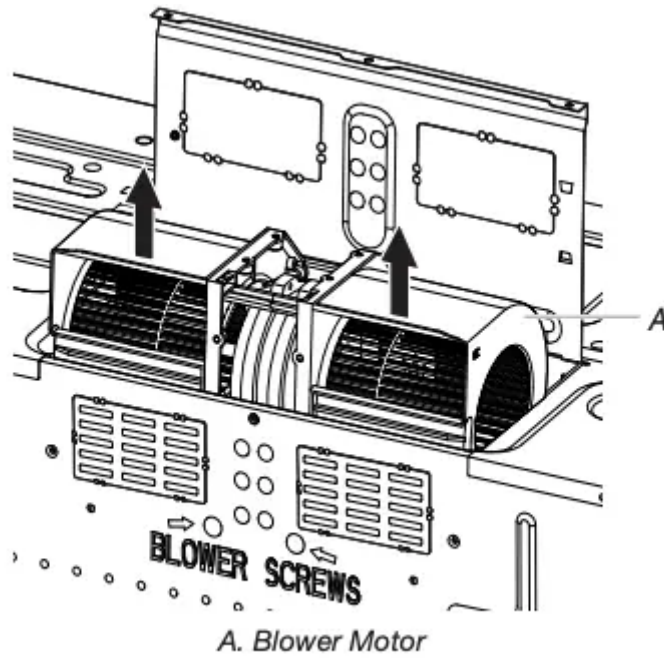


A. Blower screws (in recessed holes)

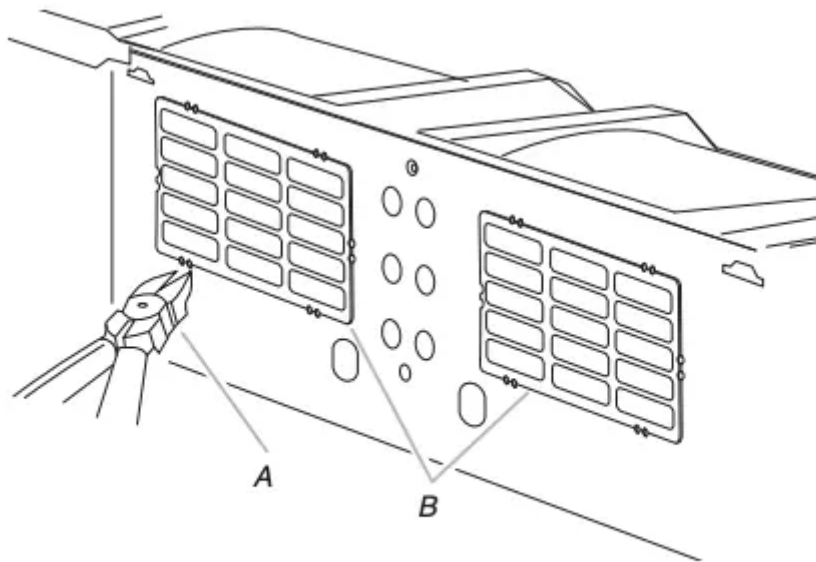
4. Disconnect the blower motor wire from the connector.



5. Lift blower motor out of microwave oven, and set aside.

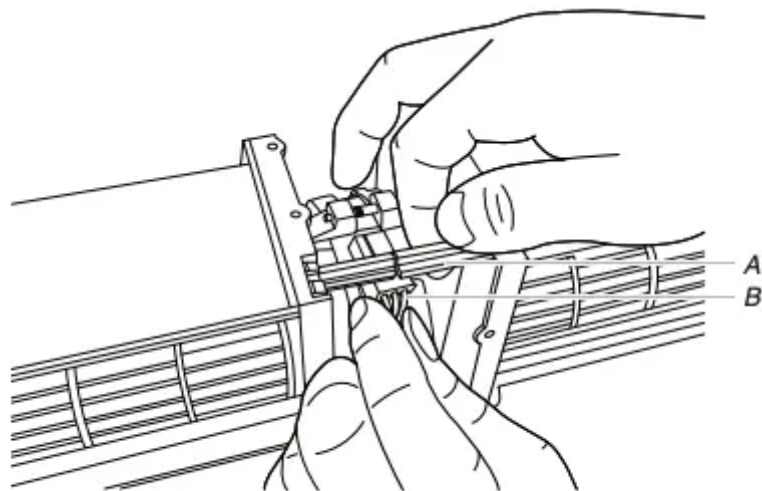


6. Using diagonal wire cutting pliers, gently snip out the rectangular damper vent covers at the perforations.



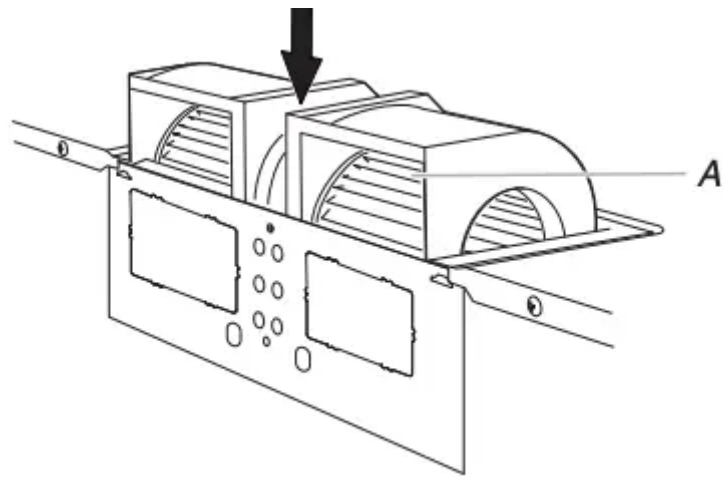
*A. Diagonal wire cutting pliers
B. Rectangular damper vent cover*

7. Hold the blower motor wire, put the wire through the blower motor bridge.



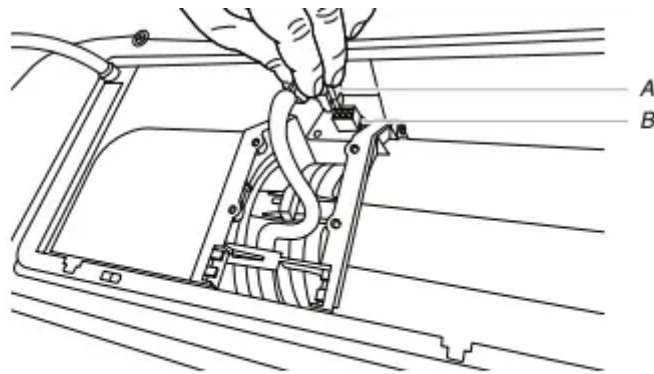
*A. Blower motor bridge
B. Blower motor wire*

8. Lower blower motor back into the microwave oven. Exhaust ports face the back of the microwave oven.



A. Exhaust Port

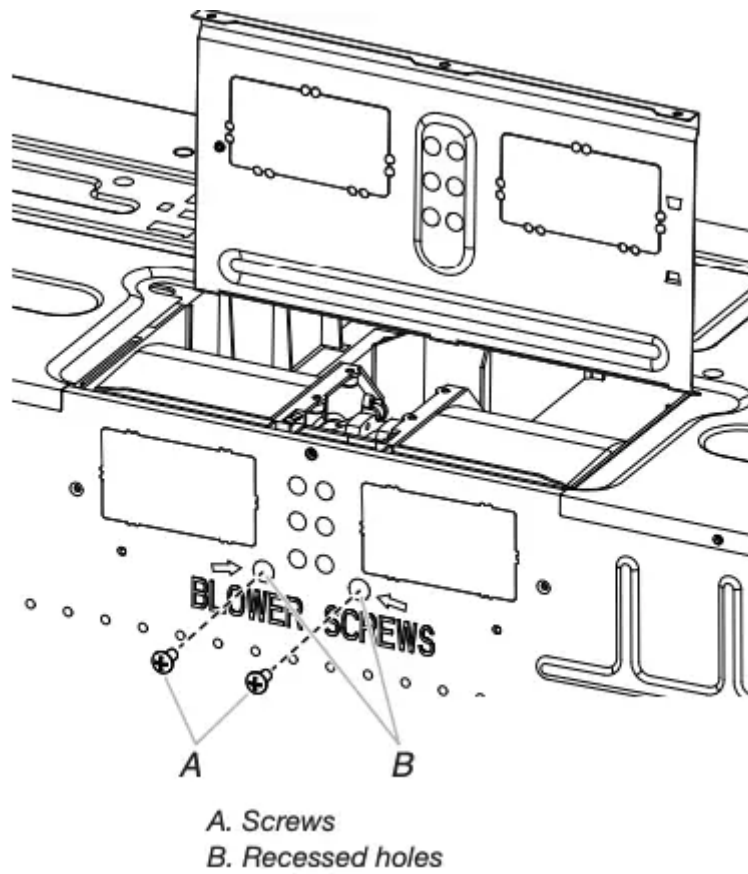
9. Reconnect the blower motor wire into the connector.



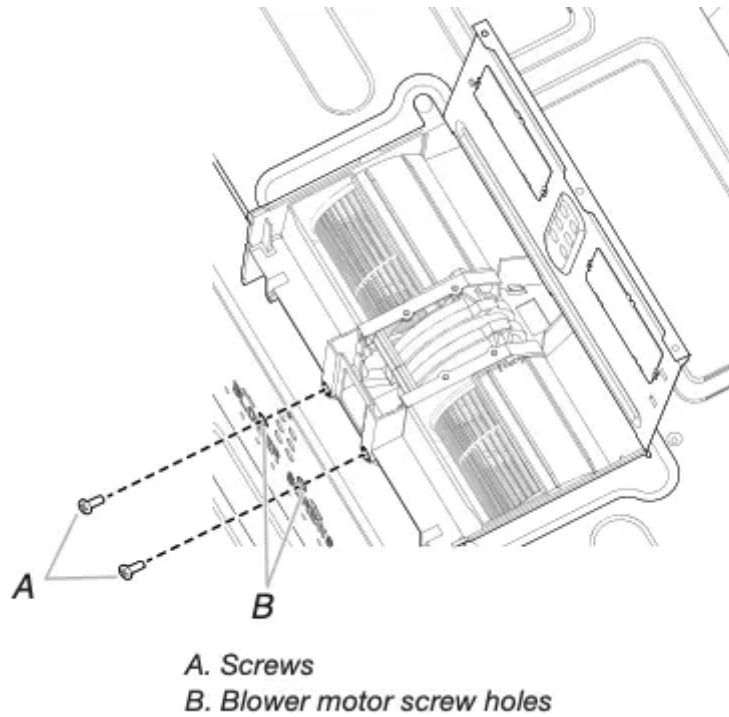
*A. Blower motor wire
B. Connector*

10. Reattach the two blower screws into the recessed holes in the back of the microwave.

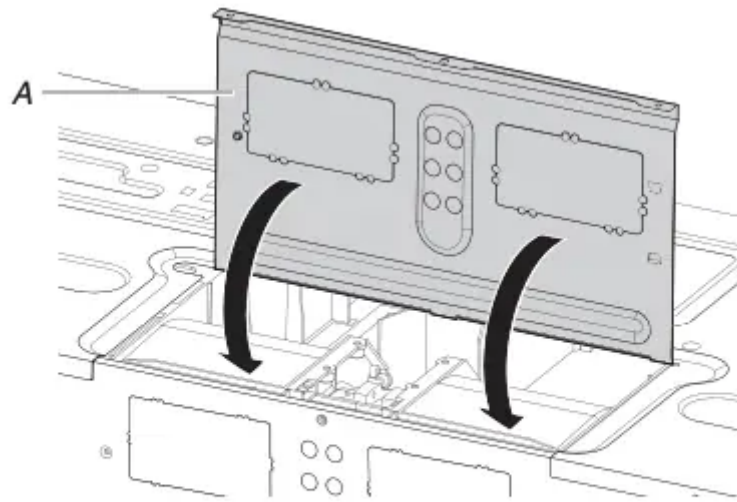




11. Check to make sure the two screws are secured properly in the blower motor screw holes, so that the motor cannot move.

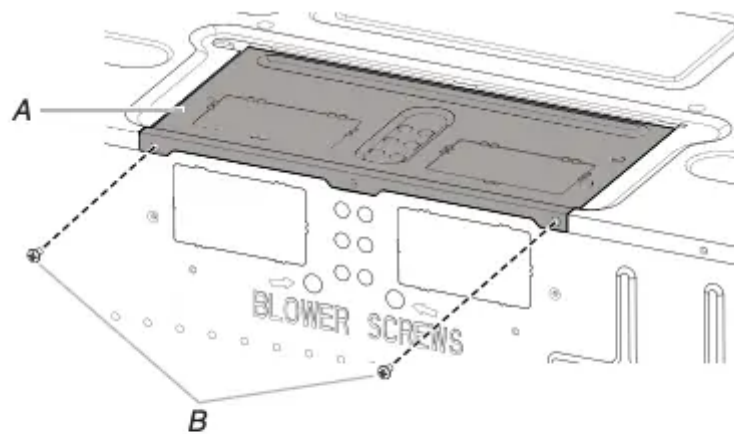


12. Return the damper plate to its original horizontal position.



A. Damper plate

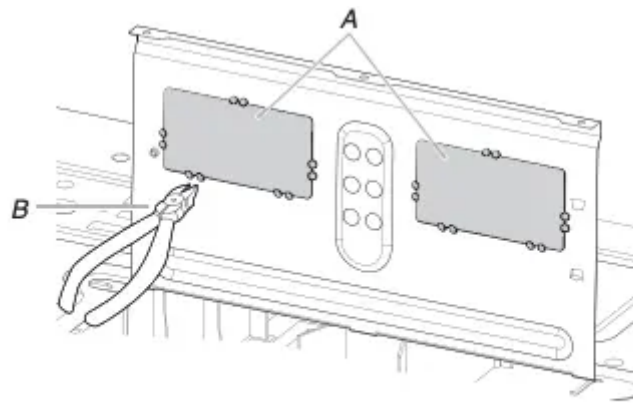
13. Secure damper plate with two screws removed in Step 1.



*A. Damper plate
B. Screws*

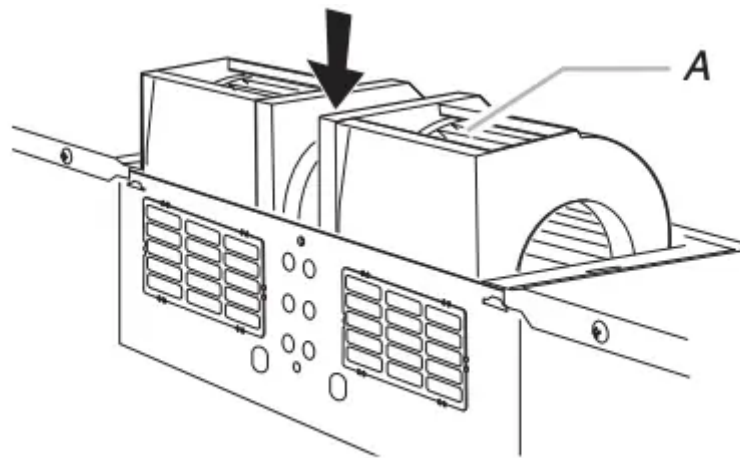
Roof Venting Installation Only

1. Repeat Step 1 from "Wall Venting Installation Only."
2. Repeat Step 2 from "Wall Venting Installation Only."
3. Repeat Step 3 from "Wall Venting Installation Only."
4. Repeat Step 4 from "Wall Venting Installation Only."
5. Repeat Step 5 from "Wall Venting Installation Only."
6. Using diagonal wire cutting pliers, gently snip out the rectangular vent covers on the damper plate at the perforations.



A. Rectangular vent covers
B. Diagonal wire cutting pliers

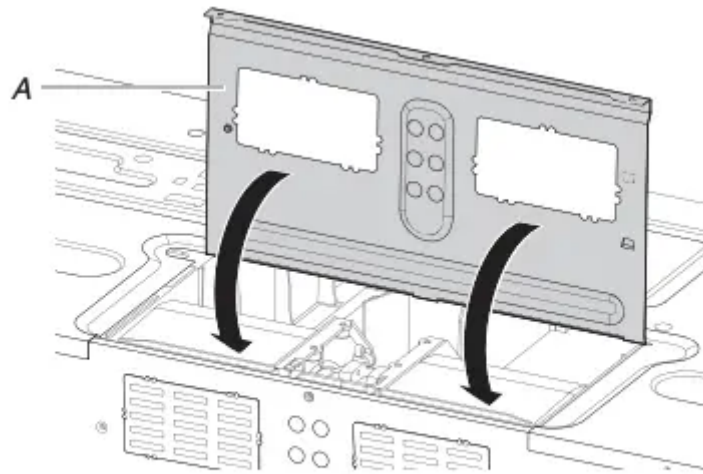
7. Lower blower motor back into microwave oven. Exhaust ports face the top of microwave oven.



A. Exhaust port

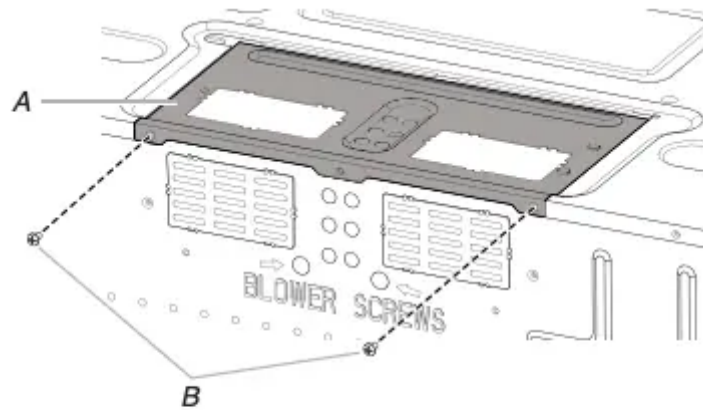
IMPORTANT: If blower motor is not positioned with fl at side facing the back of the microwave oven (as shown), performance will be poor.

8. Reconnect the blower motor wire into the connector.
9. Reattach the two blower screws into the recessed holes in the back of the microwave.
10. Check to make sure the two screws are secured properly in the blower motor screw holes, so that the motor cannot move.
11. Return the damper plate to its original horizontal position.



A. Damper plate

12. Secure damper plate with two screws removed in Step 1.



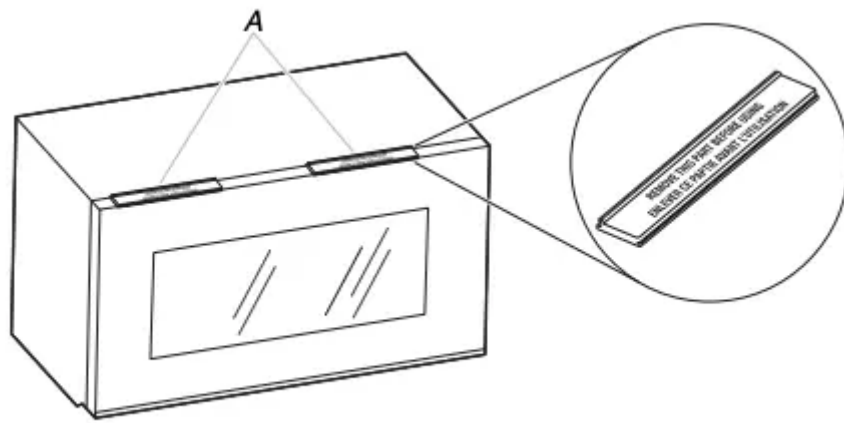
A. Damper plate
B. Screws

Install the Microwave Oven

WARNING Excessive Weight Hazard Use two or more people to move and install microwave oven. Failure to do so can result in back or other injury.

IMPORTANT: The control side of the microwave oven is the heavy side. Handle the microwave oven gently.

1. Remove the two packing spacers from the top of the vent grille before using the microwave oven.

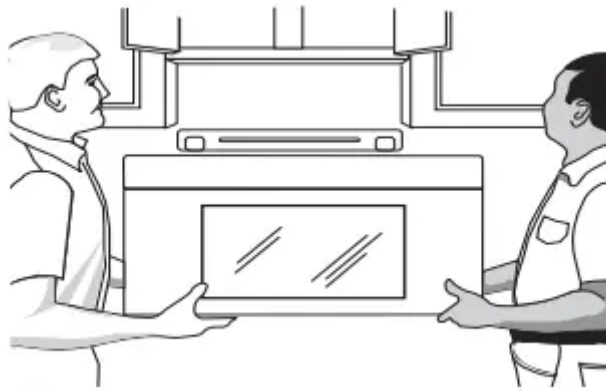


A. Packing spacers (2)

NOTE: Depending on your model, it may not have packing spacers. If it does not have packing spaces, install your microwave oven start from Step 2.

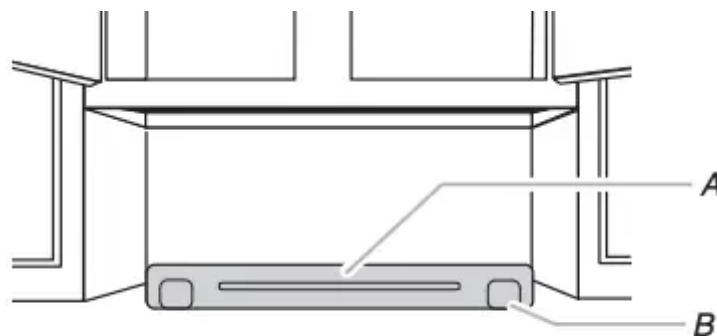
2. Place a washer on each 1/4-20 x 3" fl at-head bolt and place inside upper cabinet near the 3/8" (10 mm) holes.

3. Make sure the microwave oven door is closed and taped shut.



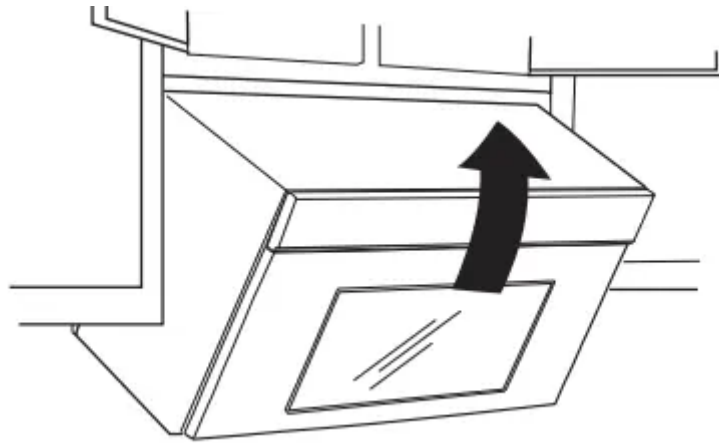
4. Using two or more people, lift microwave oven and hang it on support tabs at the bottom of mounting plate.

NOTE: To avoid damage to the microwave oven, do not grip or use the door or door handle while the microwave oven is being handled.



*A. Mounting plate
B. Support tabs*

5. With front of microwave oven still tilted, thread power supply cord through the power supply cord hole in the bottom of the upper cabinet.



6. Rotate microwave oven up toward upper cabinet.

NOTE: If venting through the wall, make sure the damper assembly fits easily into the vent in the wall cutout.

7. Push microwave oven against mounting plate and hold in place.

NOTE: If microwave oven does not need to be adjusted, skip steps 7 through 9.

8. If adjustment is required, rotate microwave oven downward. Using two or more people, lift microwave oven off of mounting plate, and set aside on a covered surface.

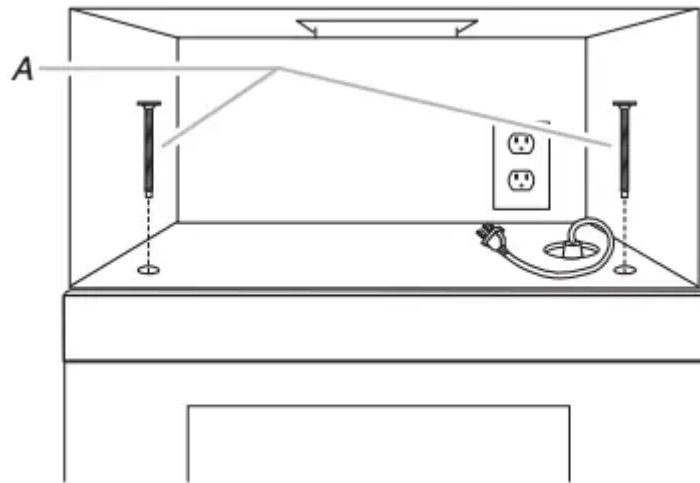
9. Loosen mounting plate screws. Adjust mounting plate and retighten screws.

10. Repeat steps 3 through 6.

11. With the microwave oven centered, and with at least one person holding it in place, insert bolts through upper cabinet into microwave oven. Tighten bolts until there is no gap between upper cabinet and microwave oven.

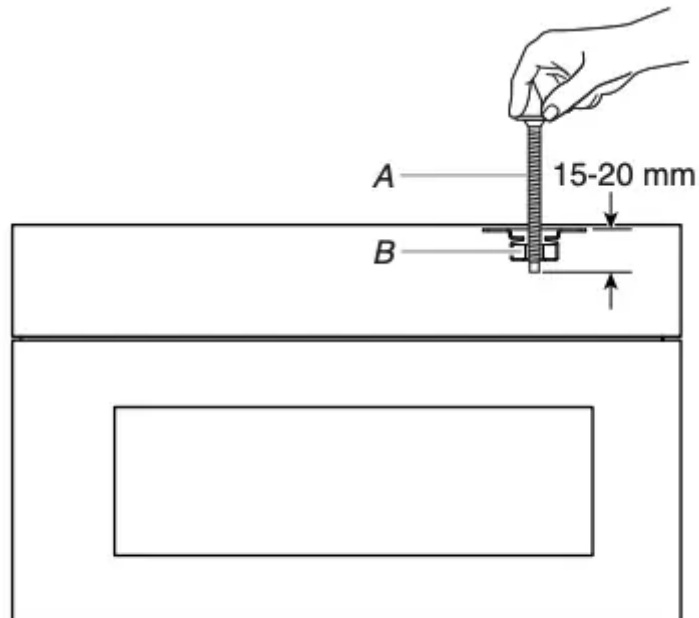
NOTES:

- Some upper cabinets may require bolts longer or shorter than 3" (7.6 cm). Longer or shorter bolts are available at most hardware stores.
- Overtightening bolts may warp the top of the microwave oven. To avoid warping, wood filler blocks (installer to provide) may be added. The blocks must be the same thickness as the space between the upper cabinet bottom and the microwave oven.



A. Bolts

NOTE: Avoid damage to the mounting nut, screw the bolts into the mounting nut holes around 15-20 mm by hand first, make sure the bolts thread in properly. Then tighten with tools.

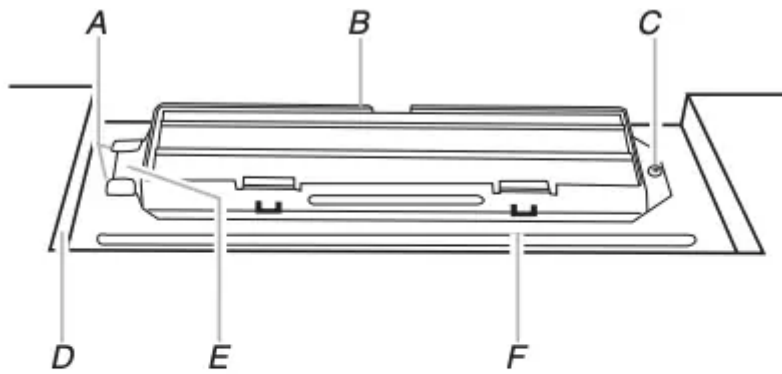


A. Bolt
B. Mounting Nut

For Roof Venting Installation Only

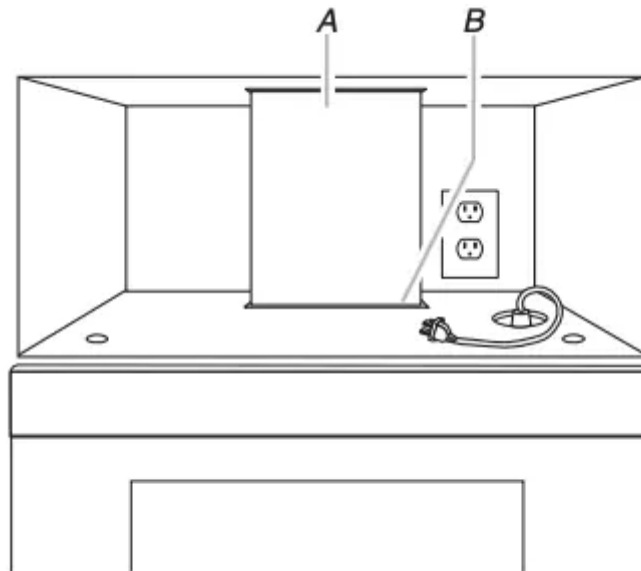
1. Insert damper assembly through the cabinet cutout so that the long tab of the damper assembly slides under the raised tabs of the damper plate. Then secure with #6 x 3/8" sheet metal screw.

NOTE: The screw cannot be installed if the damper assembly is not positioned as shown.



- A. Raised tabs
- B. Damper assembly
- C. #6 x 3/8" Sheet metal screw
- D. Upper cabinet cutout
- E. Long tab
- F. Damper plate

2. Connect vent to damper assembly.



- A. Vent
- B. Damper assembly (under vent)

Complete Installation

1. Install filters. Refer to the User Instructions for filter placement.

WARNING Electrical Shock Hazard Plug into a grounded 3 prong outlet. Do not remove ground prong. Do not use an adapter. Do not use an extension cord. Failure to follow these instructions can result in death, fire, or electrical shock.

2. Plug microwave oven into grounded 3 prong outlet.

3. Reconnect power.

4. Check the operation of microwave oven by placing 1 cup (250 mL) of water on the turntable and programming a cook time of 1 minute at 100% power. Test vent fan and exhaust by operating the vent fan.

5. If the microwave oven does not operate:

- Check that a household fuse has not blown, or that a circuit breaker has not tripped. Replace the fuse or reset the circuit breaker. If the problem continues, call an electrician.
- Check that the power supply cord is plugged into a grounded 3 prong outlet.
- See the User Instructions for troubleshooting information.

The installation is now complete. Save Installation Instructions for future use.

Warning

This content is compiled from multiple sources and is provided for reference purposes only. It may not be complete or fully applicable to all situations. If you are unable to resolve your issue, please contact the product manufacturer or an authorized service provider for official support.