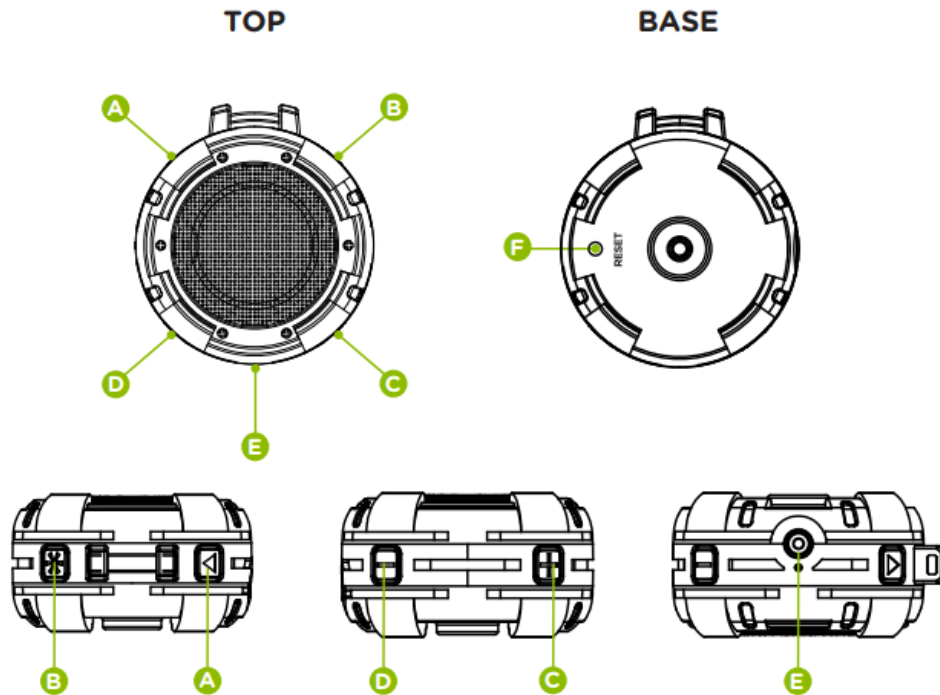


OVERVIEW



A - ON / OFF

B - LED, ON / OFF / Mode control

C - Track Forward / Volume Up

D - Track Reverse / Volume Down

E - LINE-IN / Recharge

F - Reset Button

A - ON/OFF & PLAY/PAUSE

Hold button for 2 seconds to turn speaker ON. Hold again to turn off. If no Bluetooth device connects the Moki X-Terrain will automatically turn off in 3 minutes. To play music, tap once; to pause music, tap again.

B - LED Mode (*)

The inbuilt LEDs can be set to flash with the beat of the music being played, cycle through colours in “breathe” mode or turned OFF. Tap button once to cycle through to each mode.

C - SKIP FORWARD & VOLUME UP (+)

Tap to skip forward to next song. Press and hold to increase volume to desired level.

D - SKIP BACK & VOLUME DOWN (-)

Tap button once to restart current song, quickly tap again to play previous song. Press & hold button for 3-4 seconds until volume is at desired level.

E - LINE IN & RECHARGE PORT

The 3.5mm port functions as a line-in for devices without Bluetooth. If X-Terrain does not auto connect when 3.5mm cable is inserted, press & hold A to change to line-in mode. Recharge through 3.5mm port via USB when the internal battery is flat.

F - RESET

Pressing the Reset Button will wipe all previous Bluetooth connections and restart the X-Terrain.

RECHARGE

- 1) To recharge the Moki X-Terrain, use the supplied USB to 3.5mm cable.
- 2) Insert the 3.5mm plug into the the jack on the X-terrain (See location E in the overview)
- 3) Insert the USB plug to a port on a PC or USB charge adaptor.

An LED behind the charge port will glow red while X-Terrain is recharging and turn off automatically when fully charged. Charge time will take up to 3-4 hours.

PAIR TO BLUETOOTH

- 1) To play audio wirelessly, the X-Terrain must be paired with a Bluetooth enabled play device.
- 2) With NO cable connected, turn on the X-Terrain - it will automatically enter pairing mode (LED will blink RED / BLUE).
- 3) On your play device, turn Bluetooth ON and "Scan for devices" if required.
- 4) Select "Moki X-Terrain" which should appear under "Avaliable devices".
- 5) Once selected, pairing will start and the LED will flash RED / BLUE. When pairing is successful, the LED will glow solid BLUE.

Note: The X-Terrain will scan for new Bluetooth devices or will reconnect to the last paired device if it is close by. You may be required to enter passkey "0000" if requested depending on the Bluetooth version of your device.



PLAY VIA 3.5mm CABLE

- 1) To play music via 3.5mm cable insert cable to the 3.5mm socket on the X-Terrain.
- 2) Attach the other end to the headphone socket on your audio player.
- 3) Hold the (*) button for one second to switch between cable and Bluetooth mode.

Note: When the 3.5mm cable is inserted, Bluetooth controls will not function Adjust volume & track control from your play device only.

TECHNICAL SPECIFICATIONS

Model # : ACC MATSP

Bluetooth : V4.2 / 2.4GHz

Distance : 10m / Class 2

Speaker Driver : 5W /85dB

Frequency Response : 100Hz - 20kHz

Play Time (approx) : 8 hours

Dimensions (mm) : Ø90 x 52

Warning

This content is compiled from multiple sources and is provided for reference purposes only. It may not be complete or fully applicable to all situations. If you are unable to resolve your issue, please contact the product manufacturer or an authorized service provider for official support.