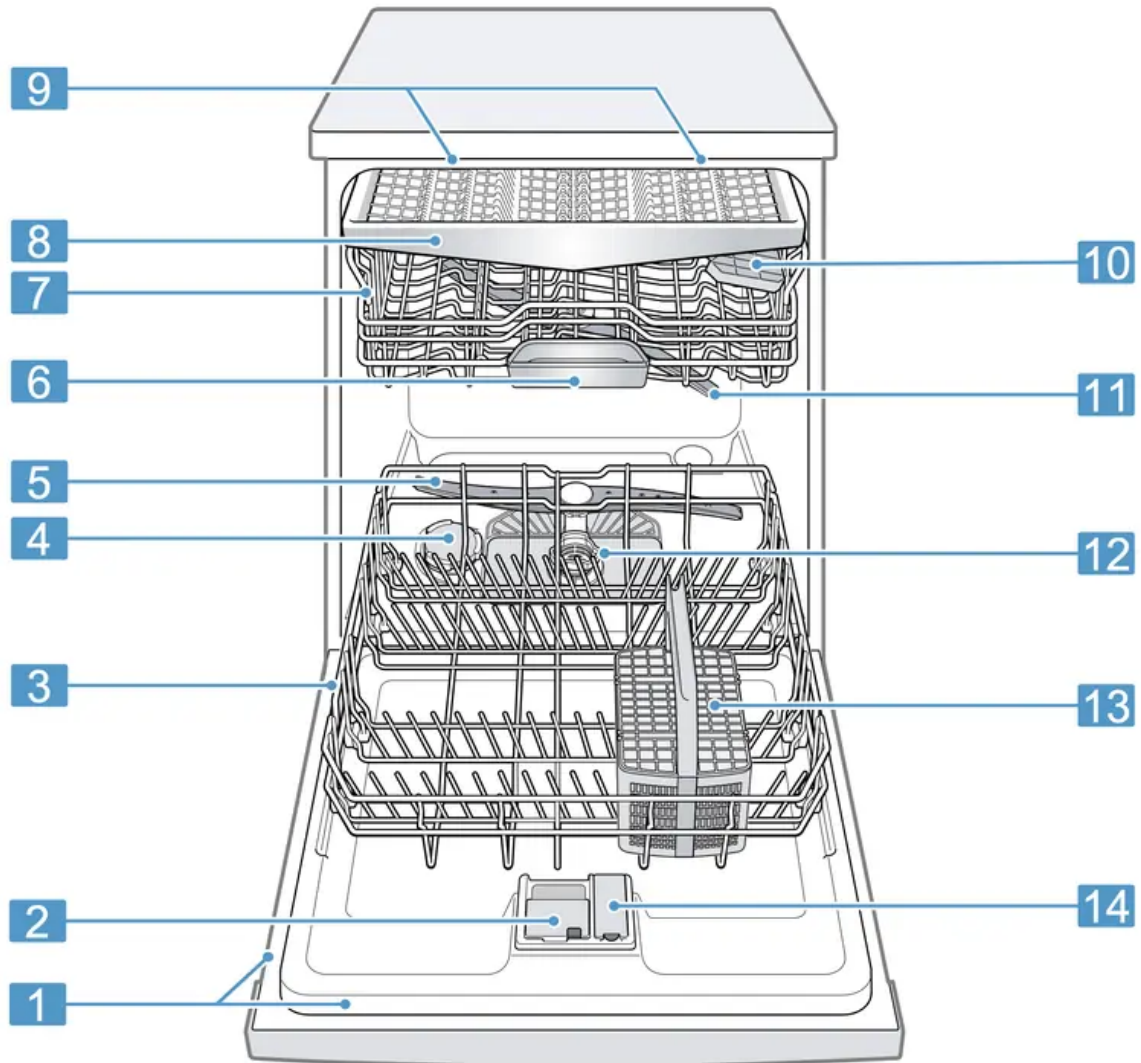


## Familiarising yourself with your appliance

Familiarise yourself with the parts of your appliance.

### Appliance

You can find an overview of the parts of your appliance here.



---

<b>1</b>	Rating plate	Rating plate with E number and FD number → Page 55. The data you need for Customer Service → Page 54.
----------	--------------	---

---

- 1. Rating plate** - Rating plate with E number and FD number
- 2. Detergent dispenser** - Detergent is added to the detergent dispenser.
- 3. Bottom basket**

**4. Dispenser for special salt** - Add special salt for the *Water softening system* to the dispenser for special salt.

**5. Lower spray arm** - The lower spray arm washes the tableware in the bottom basket. If the tableware has not been washed properly, clean the spray arms. → "Cleaning spray arms"

**6. Tablet collecting tray** - During the wash cycle tablets automatically fall out of the detergent dispenser into the tablet collecting tray where they can fully dissolve.

**7. Top basket**

**8. Cutlery drawer**

**9. EmotionLight** - Interior lighting of the appliance. → "Overview of basic settings"

**10. Etagere Etagere**

**11. Upper spray arm** - The upper spray arm washes the tableware in the top basket. If the tableware has not been washed properly, clean the spray arms. → "Cleaning spray arms"

**12. Filter system Filter system**

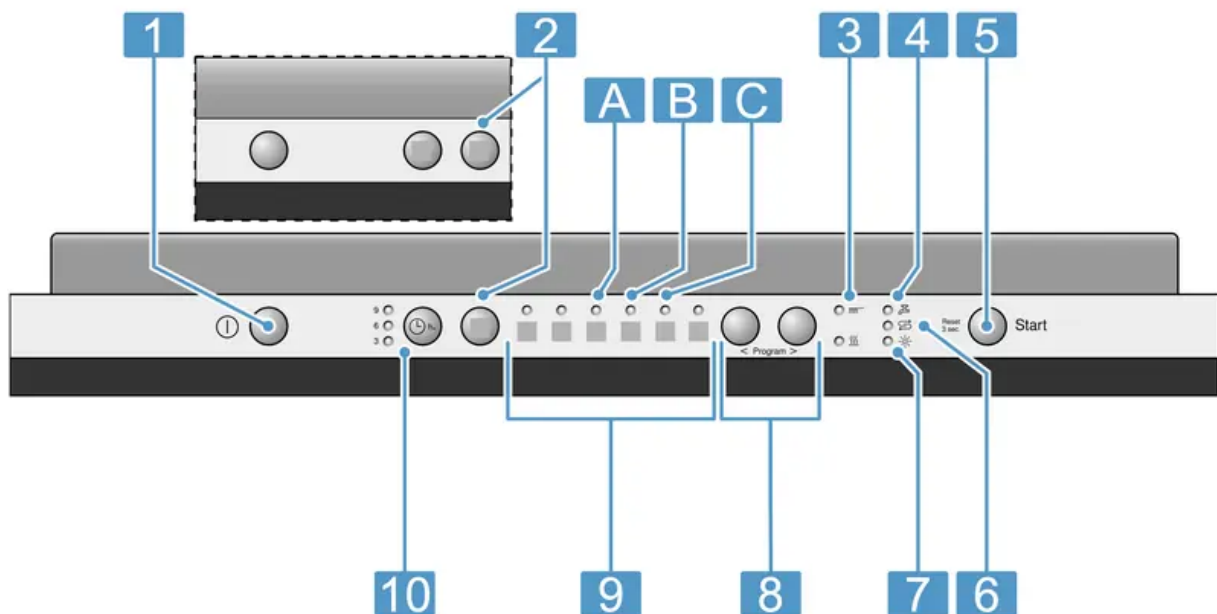
**13. Cutlery basket**

**14. Dispenser for rinse aid** - Add rinse aid for the Rinse aid system to the dispenser for rinse aid.

## Controls

The controls are used to configure all functions of your appliance and to obtain information about the operating status.

With some buttons you can perform different functions.







- 1. ON/OFF button** - Switching on the appliance
- 2. Additional functions**
- 3. Programme sequence display** - The programme sequence display shows the current cycle of the appliance, e.g. washing or drying.
- 4. Water supply display** - Display for water supply lights up
- 5. Start button and reset button (reset 3 sec)** - Starting the programme and Terminating the programme
- 6. Special salt refill indicator** - Water softening system
- 7. Rinse aid refill indicator** - Rinse aid system
- 8. Setting buttons** - Setting a programme and Changing basic settings
- 9. Programmes**
- 10. Timer programming** - Setting timer programming





## Programmes

You can find an overview of the programmes that can be selected here. Different programmes, which can be found on the control panel of your appliance, are available depending on the appliance configuration.

The running time may vary depending on the programme selected. The running time depends on the water temperature, the quantity of dishes, the level of soiling and the Additional function → Page 21 selected. The running time will change if the rinse aid system is switched off or rinse aid needs to be added.

The consumption values can be found in the quick reference guide. The consumption values relate to normal conditions and a water hardness of 9 - 20 °E. Different influencing factors such as water temperature or pipe pressure may result in deviations.

Programme	Use	Programme sequence	Additional functions
  Chef 70	<p>Tableware:</p> <ul style="list-style-type: none"> <li>Washing pots and pans, non-fragile tableware and cutlery.</li> </ul> <p>Level of soiling:</p> <ul style="list-style-type: none"> <li>Removing stubborn burned or dried-on food remnants containing starch and protein.</li> </ul> <p>When using powder detergent, you can also apply a little to the inside of the appliance door.</p>	<p>Intensive:</p> <ul style="list-style-type: none"> <li>PreRinse</li> <li>Cleaning 70 °C</li> <li>Intermediate rinse</li> <li>Rinsing 72 °C</li> <li>Drying</li> </ul>	<p>All</p> <p>→ "Additional functions", Page 21</p>
  Expert 65°	<p>Tableware:</p> <ul style="list-style-type: none"> <li>Cleaning mixed tableware and cutlery.</li> </ul> <p>Level of soiling:</p> <ul style="list-style-type: none"> <li>Removing common household food remnants normally to firmly dried-on.</li> </ul>	<p>Intensive:</p> <ul style="list-style-type: none"> <li>Pre Rinse</li> <li>Cleaning 65 °C</li> <li>Intermediate rinse</li> <li>Rinsing 69 °C</li> <li>Drying</li> </ul>	<p>All</p> <p>→ "Additional functions", Page 21</p>

Programme	Use	Programme sequence	Additional functions
 Eco 50°	Tableware: <ul style="list-style-type: none"> <li>■ Cleaning mixed tableware and cutlery.</li> </ul> Level of soiling: <ul style="list-style-type: none"> <li>■ Removing common household food remnants lightly dried-on.</li> </ul>	Most economical programme: <ul style="list-style-type: none"> <li>■ Pre-Rinse</li> <li>■ Cleaning 50 °C</li> <li>■ Intermediate rinse</li> <li>■ Rinsing 66 °C</li> <li>■ Drying</li> </ul>	All → "Additional functions", Page 21
 Delicate 40°	Tableware: <ul style="list-style-type: none"> <li>■ Cleaning delicate tableware, cutlery, temperature-sensitive plastics, glasses and stemware in the stemware basket.</li> </ul> Level of soiling: <ul style="list-style-type: none"> <li>■ Removing lightly adhering fresh food remnants.</li> </ul>	Gentle: <ul style="list-style-type: none"> <li>■ PreRinse</li> <li>■ Cleaning 40 °C</li> <li>■ Intermediate rinse</li> <li>■ Rinsing 60 °C</li> <li>■ Drying</li> </ul>	IntensiveZone VarioSpeed Half Load ExtraDry → "Additional functions", Page 21
 Quick 45°	Tableware: <ul style="list-style-type: none"> <li>■ Cleaning delicate tableware, cutlery, temperature-sensitive plastics and glasses.</li> </ul> Level of soiling: <ul style="list-style-type: none"> <li>■ Removing lightly adhering fresh food remnants.</li> </ul>	Time-optimised: <ul style="list-style-type: none"> <li>■ Cleaning 45 °C</li> <li>■ Intermediate rinse</li> <li>■ Rinsing 55 °C</li> </ul>	ExtraDry → "Additional functions", Page 21
 PreRinse	Tableware: <ul style="list-style-type: none"> <li>■ Cleaning all types of tableware.</li> </ul> Level of soiling: <ul style="list-style-type: none"> <li>■ Cold rinsing, intermediate cleaning.</li> </ul>	Cold rinse suitable: <ul style="list-style-type: none"> <li>■ Pre-Rinse</li> </ul>	None

## Information for test institutes

Test institutes are provided with information for comparability tests, e.g. according to EN60436.

These are the conditions for conducting the tests, however they are not the results or consumption values.

The product number (E-Nr.) and the production number (FD) are required here. They can be found on the rating plate on the appliance door.

## **Additional functions**

You can find an overview of the additional functions that can be selected here. Different additional functions, which can be found on the control panel of your appliance, are available depending on the appliance configuration.

---

<b>Additional function</b>	<b>Use</b>
----------------------------	------------

---



VarioSpeed

- The running time is shortened by 20% to 50% depending on the washing programme.
  - Energy and water consumption are increased.
- 



Half Load

- Switch on with small loads.
  - It is recommended adding less detergent to the detergent dispenser than for a full machine load.
  - The running time is shortened.
  - Energy and water consumption are reduced.
- 

## Hygiene

Hygiene

- To ensure a higher hygiene status for the appliance and tableware, the temperature is raised and maintained for an extra-lengthy period.
- Especially suitable for cleaning chopping

---

## Additional function    Use

---



IntensiveZone

- Switch on with mixed loads containing tableware with different soiling levels, e.g. place very soiled pots and pans in the bottom basket and normally soiled tableware in the top basket.
- The spray pressure in the bottom basket is increased and the maximum programme temperature held longer. This will increase the running time and energy consumption.



ExtraDry

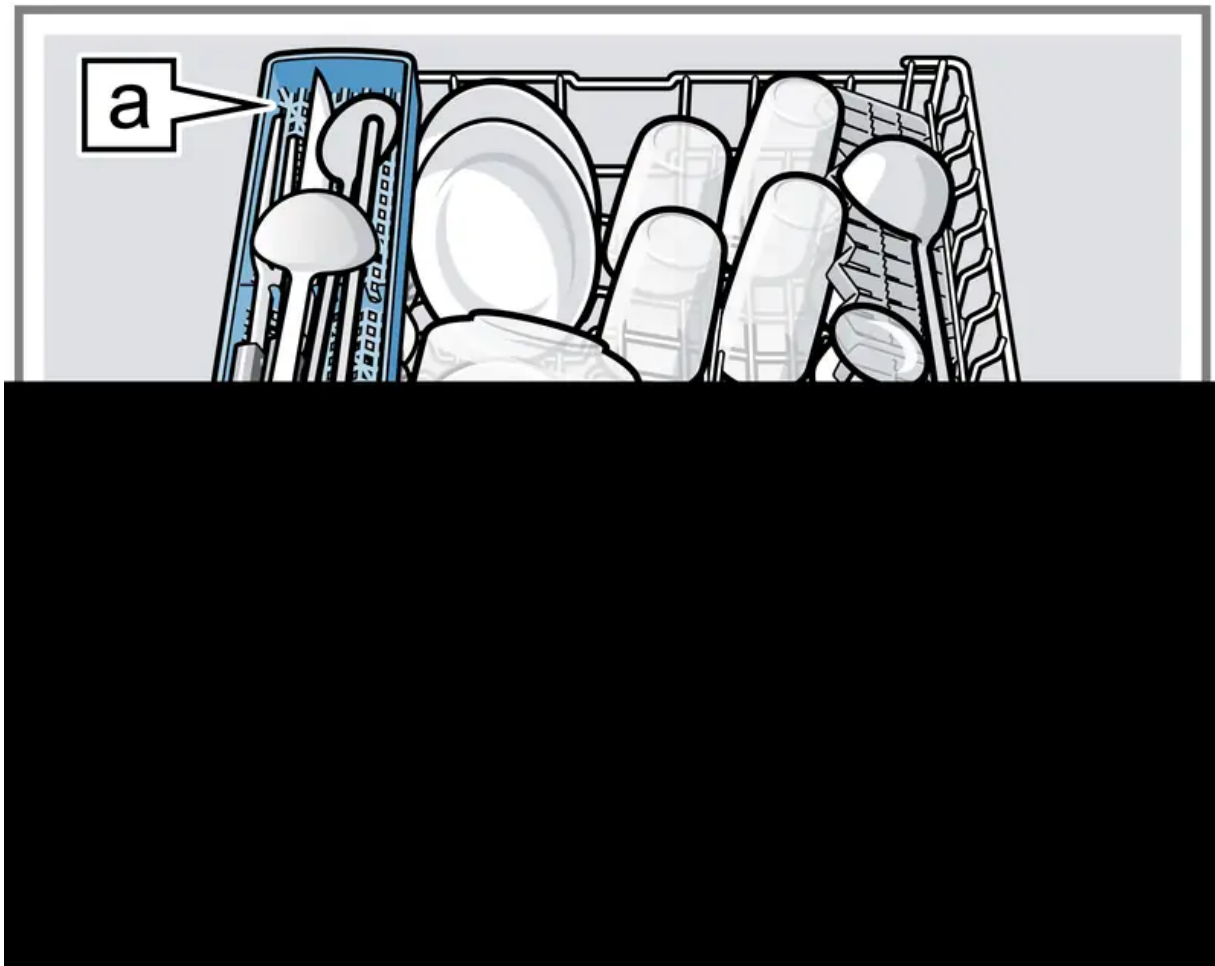
- For a better drying result the final rinse temperature is increased and the drying phase extended.
- Especially suitable for drying plastic parts.
- There is a slight increase in energy con-

## Features

You can find an overview of the possible features of your appliance and how to use them here.  
These features depend on the model of your appliance.

### Top basket

Arrange cups and glasses in the top basket.



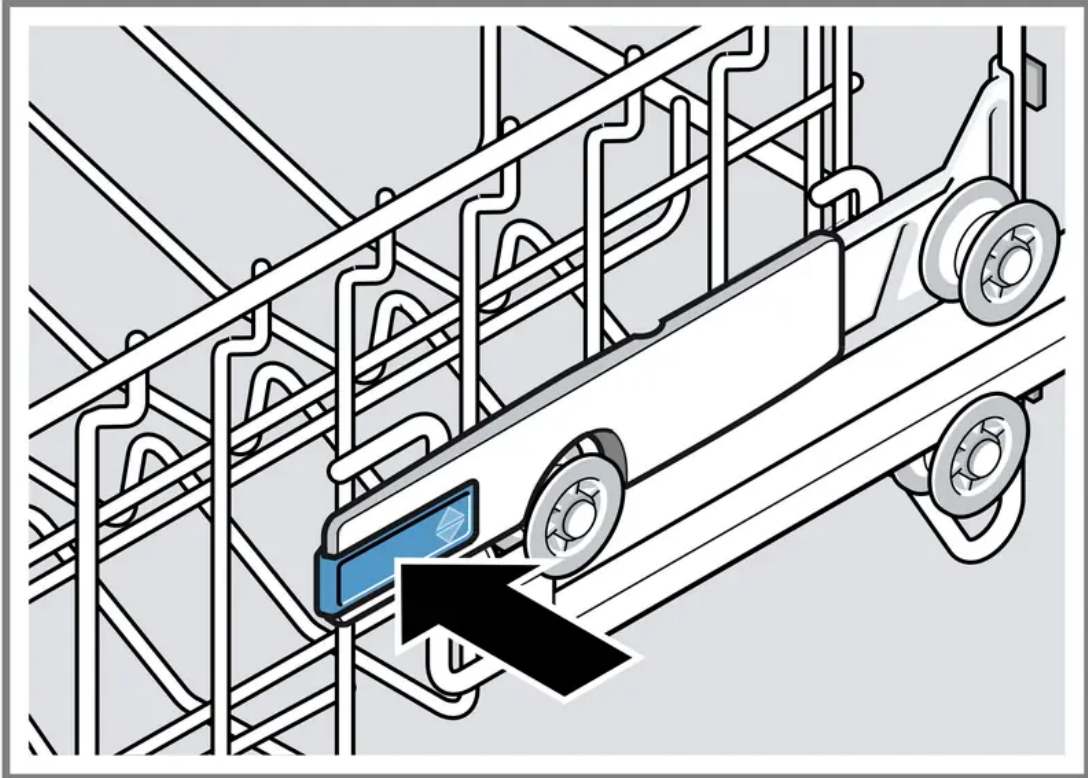
You can adjust the height of the top basket to make room for larger items of tableware.

### Adjusting top basket with side levers

To wash large items of tableware in the baskets, adjust the shelf position of the top basket.

1. Pull out the top basket.
2. To prevent the basket from suddenly dropping down, hold the side of the basket by the top edge.

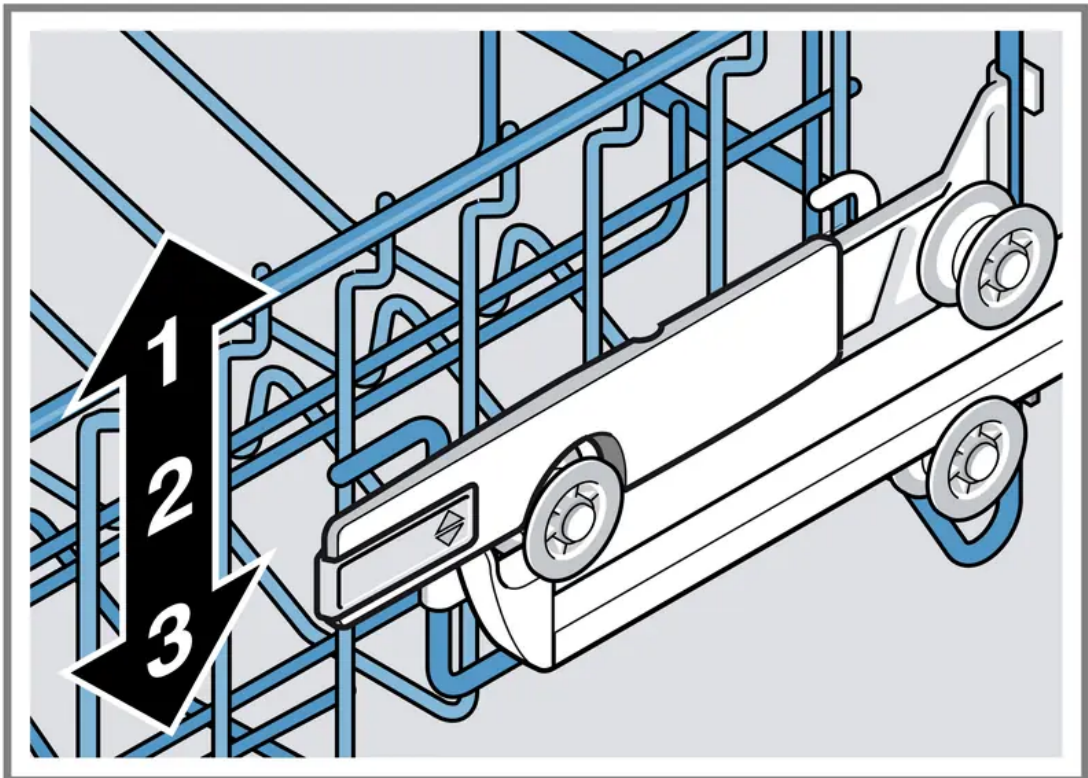
3. Press in the levers on the right and left on the outside of the basket.



The basket can then slip down slightly.

4. Raise or lower the basket evenly to the right level.

→ "Basket heights", Page 26



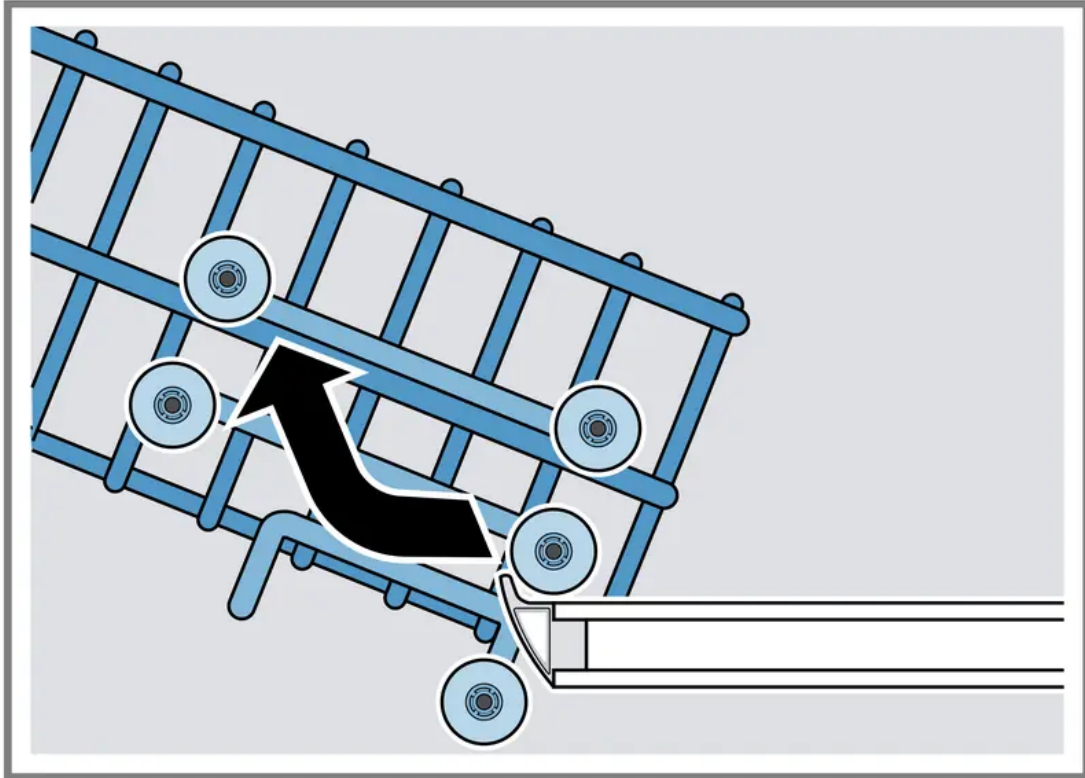
Check that the basket is level on both sides.

5. Slide the basket back in.

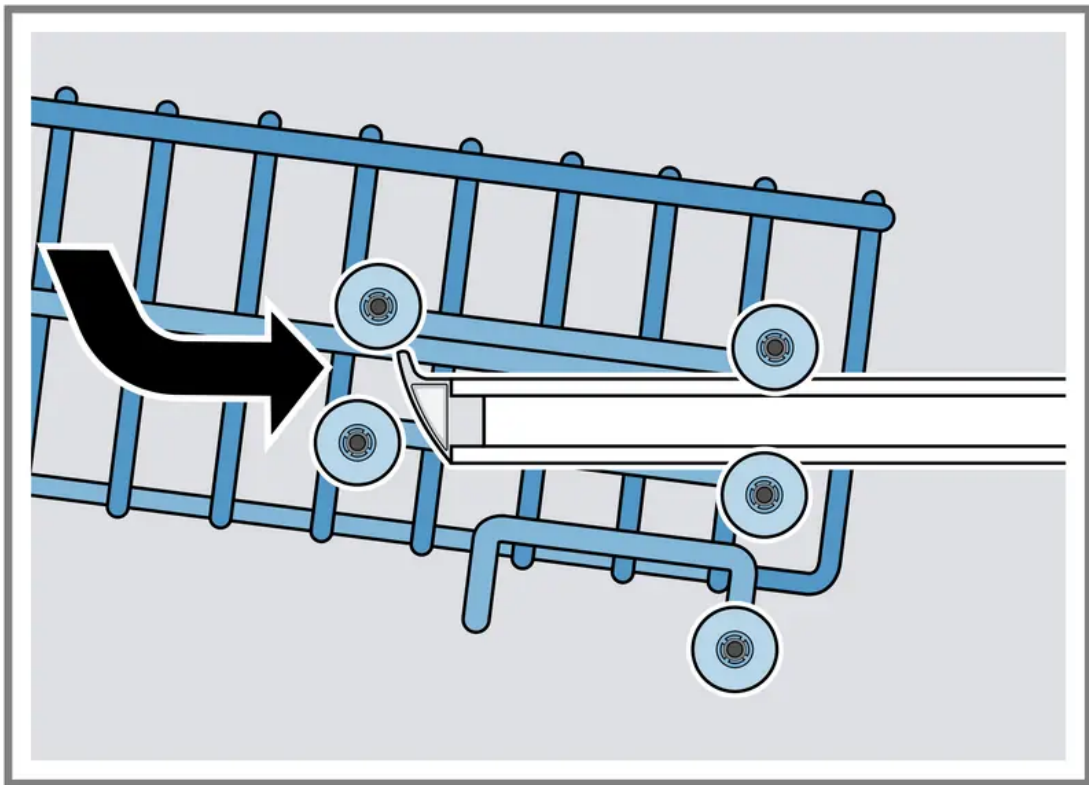
## Adjusting top basket with pairs of rollers

To wash large items of tableware in the baskets, adjust the shelf position of the top basket.

1. Pull out the top basket.
2. Remove the basket.



3. Insert the basket at the right basket height.  
→ "Basket heights", Page 26

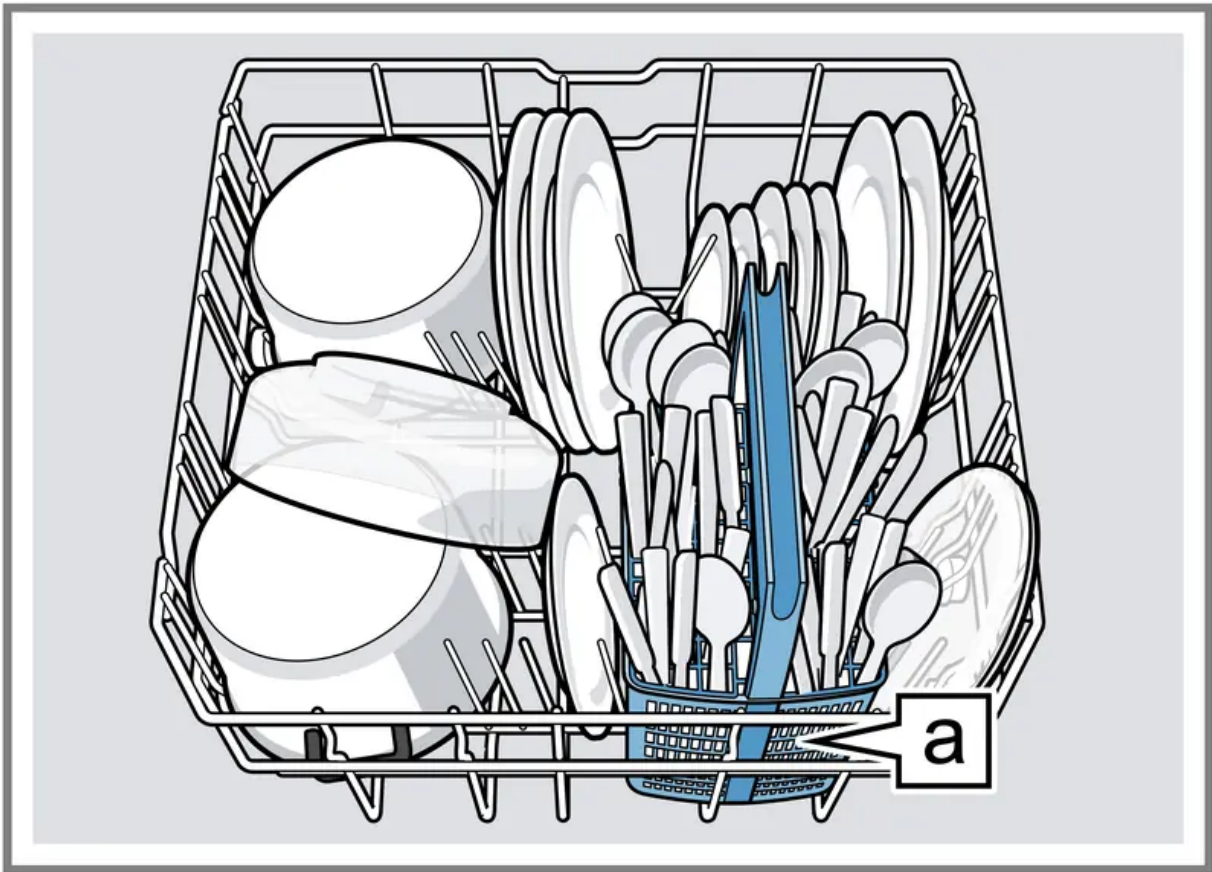


Check that the basket is level on both sides.

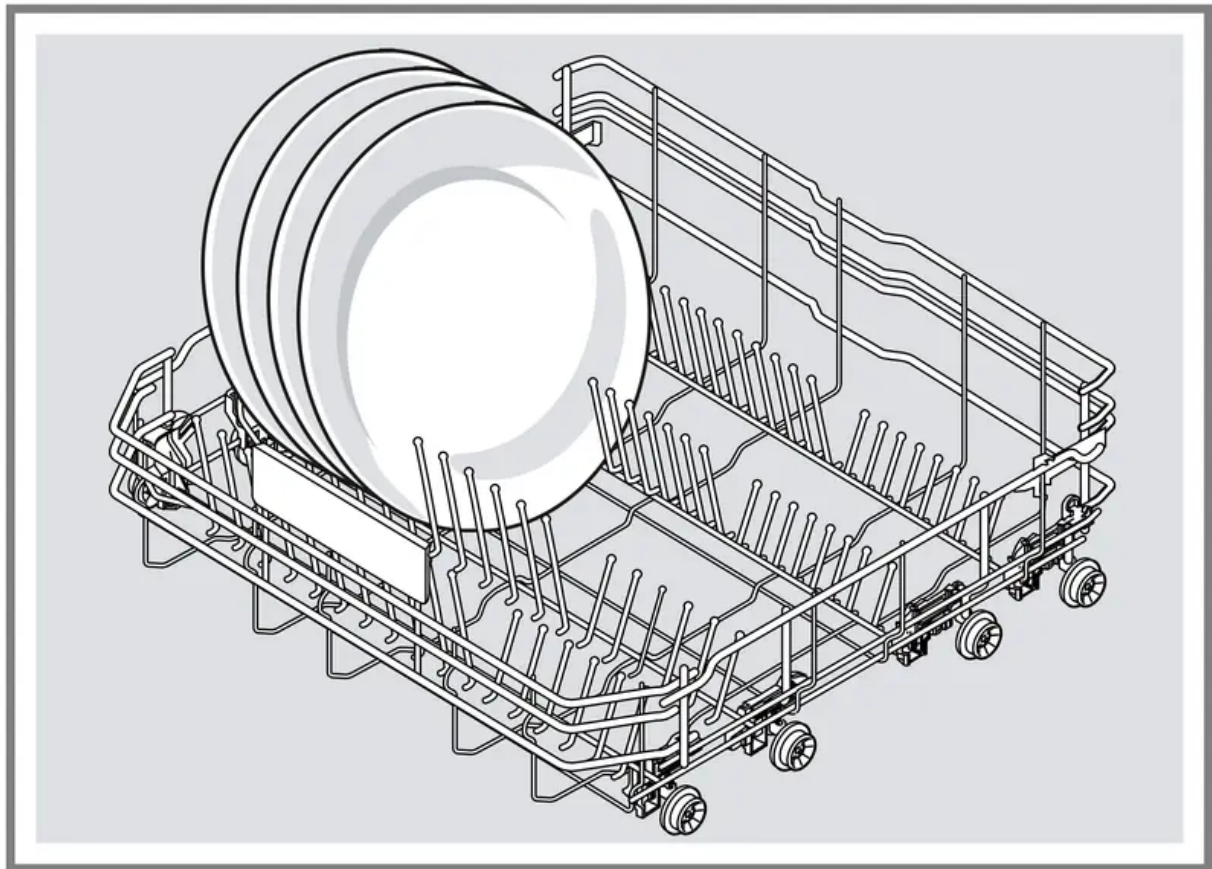
4. Slide the basket back in.

### **Bottom basket**

Arrange pans and plates in the bottom basket.

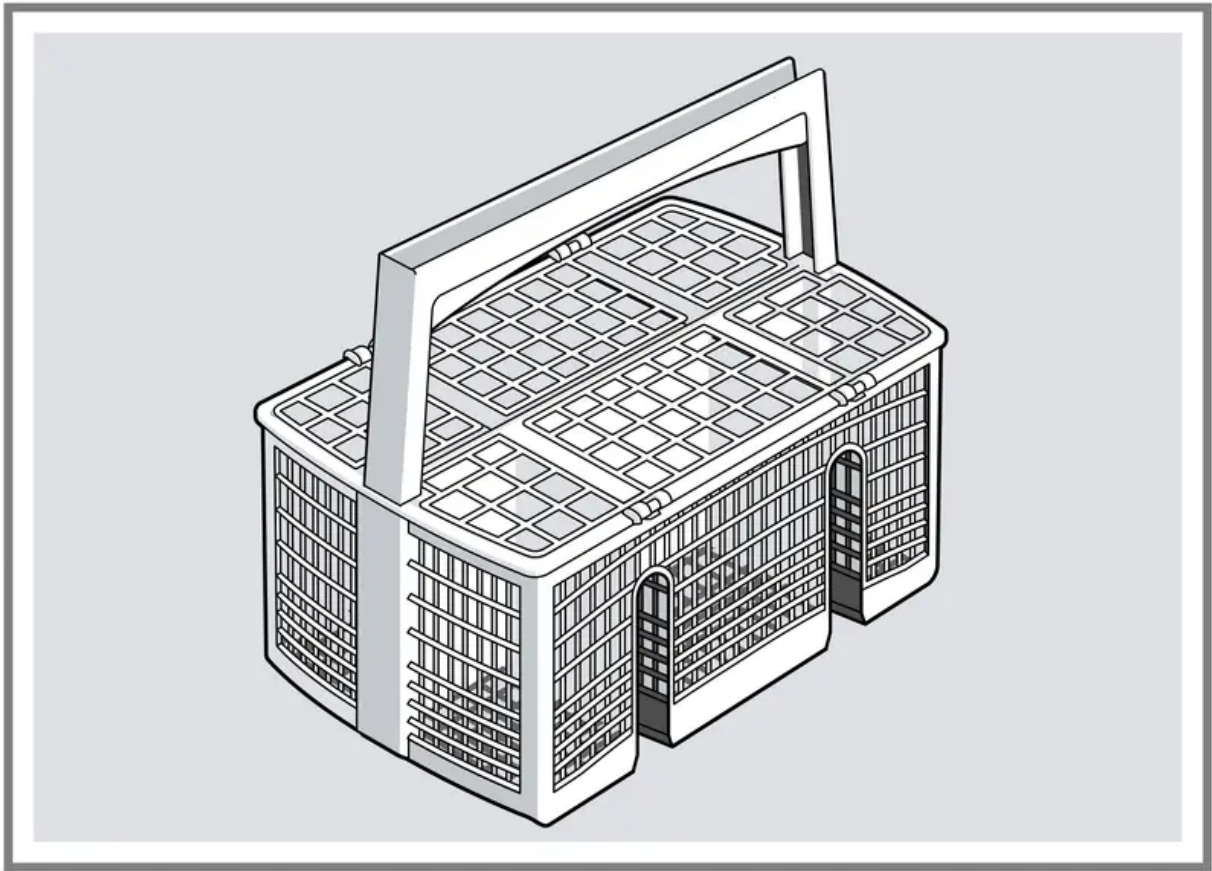


Large plates up to a diameter of 31/34 cm 1 can be arranged as shown.



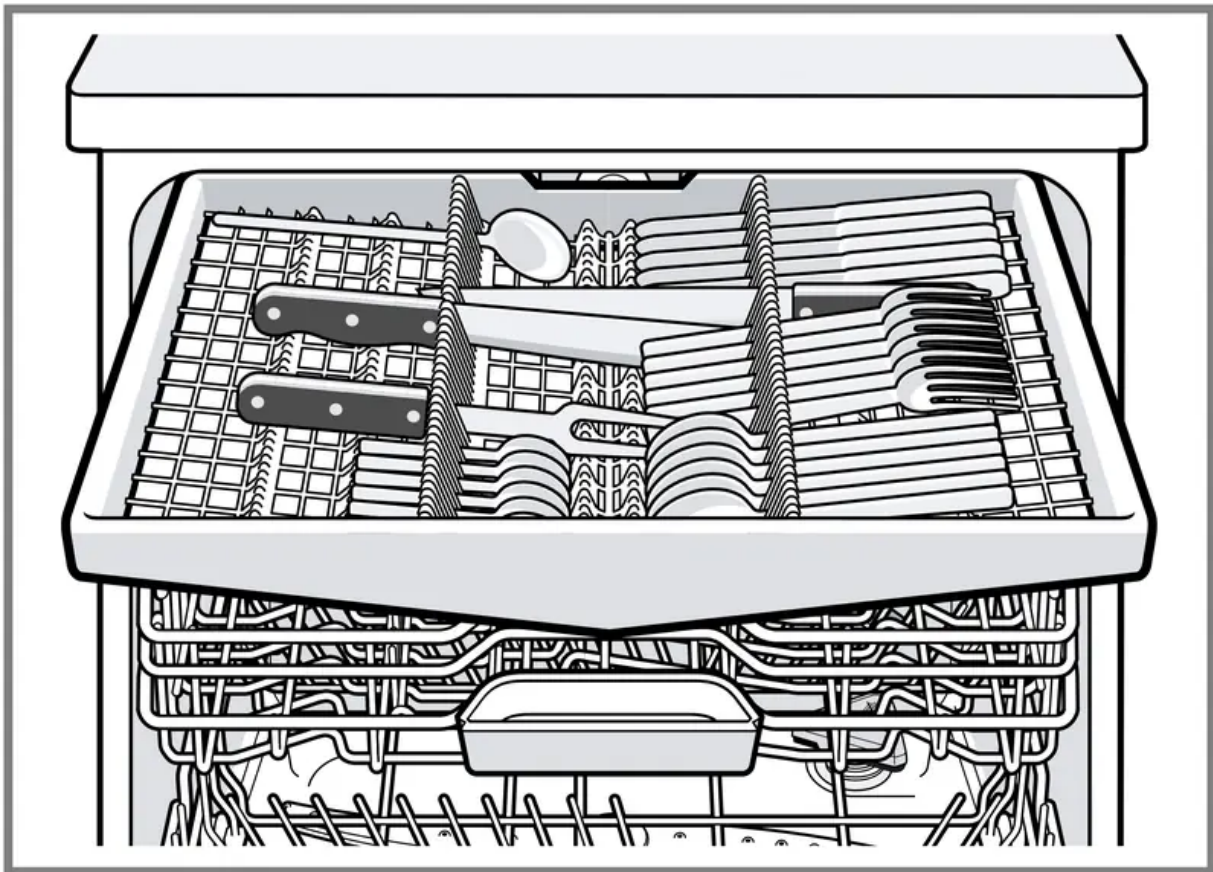
## Cutlery basket

Arrange cutlery in the cutlery basket, always without sorting it and with the sharp points downwards.



## Cutlery drawer

Arrange cutlery in the cutlery drawer.



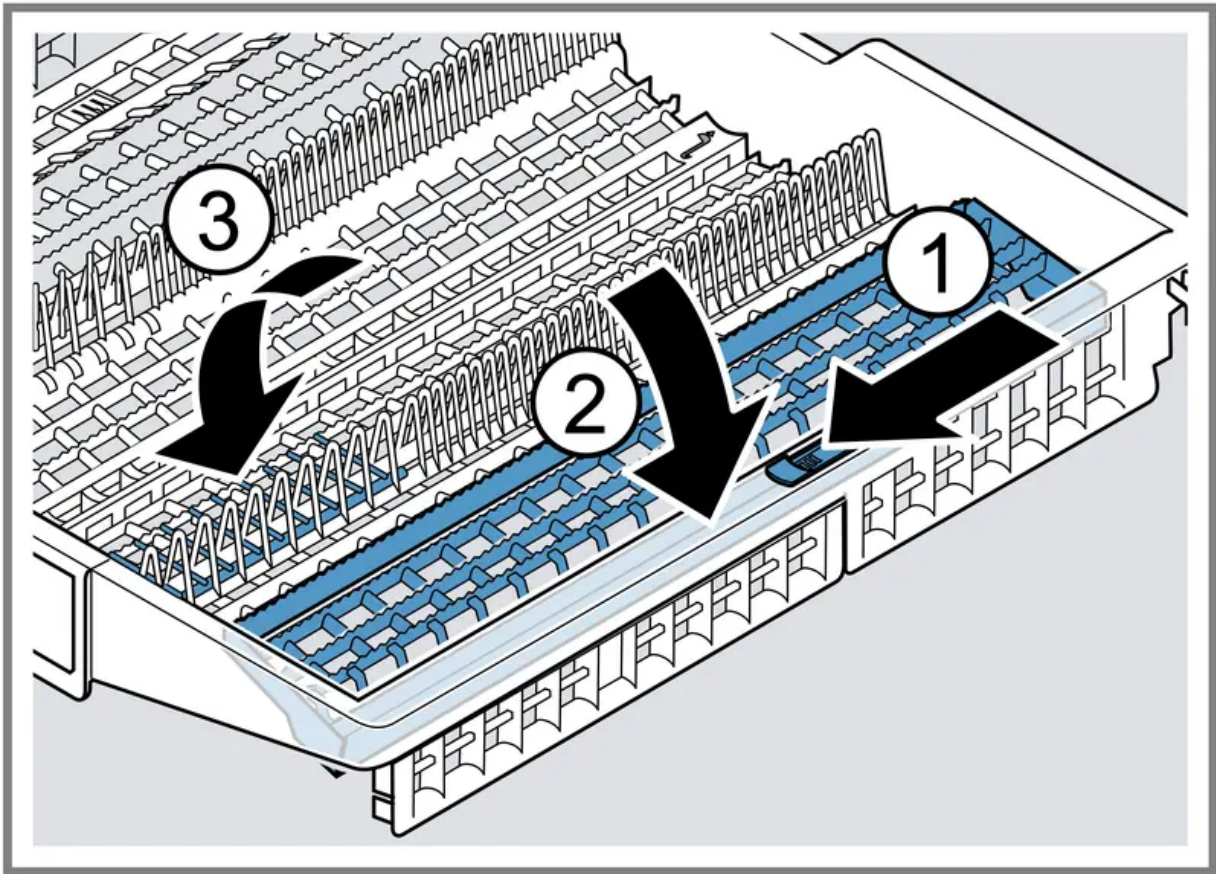
Arrange cutlery with the points and sharp edges downwards.

You can reorganise the cutlery drawer to make more space for longer/wider items of cutlery.

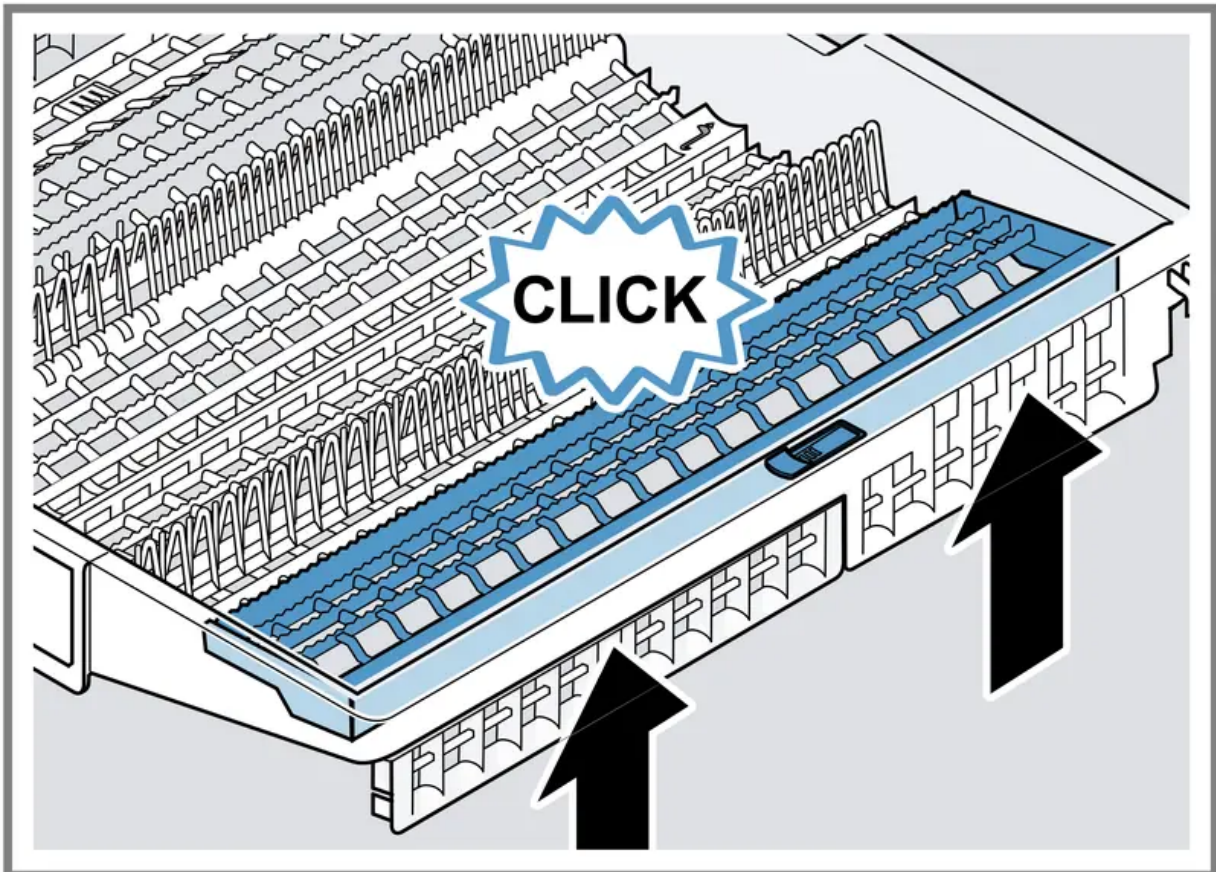
### **Reorganising cutlery drawer**

You can fold down the side shelves and front prongs to make more space for longer/wider items of cutlery.

1. To fold down a side shelf, push the lever forwards **1** and fold down the side shelf **2**.
2. To fold down the front prongs, push the lever forwards and fold down the prongs **3**.

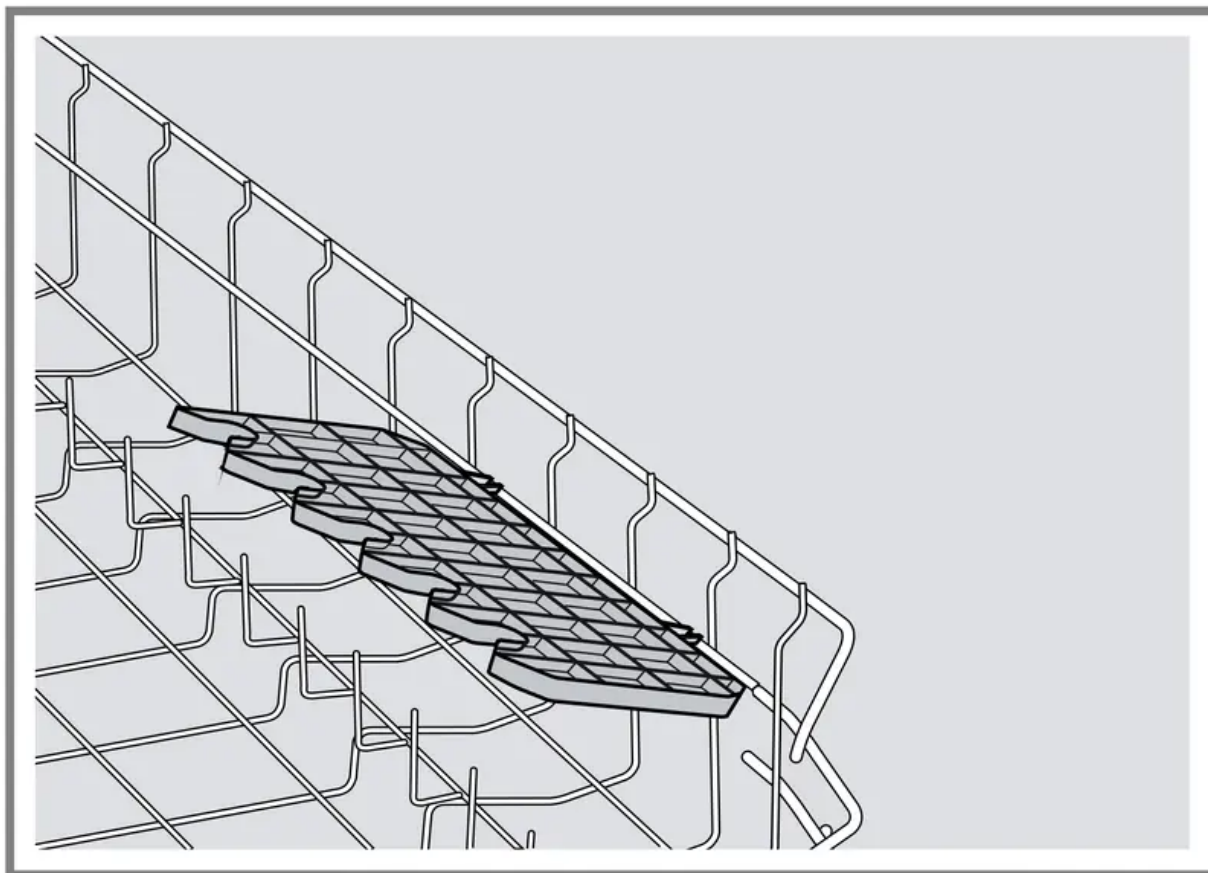


**Tip:** If you want to return the cutlery drawer to the original position, fold the side shelf back up until it clicks into position.



## Etagere

Use the etagere and space underneath for small cups and glasses or for large items of cutlery, e.g. wooden spoons or serving cutlery.



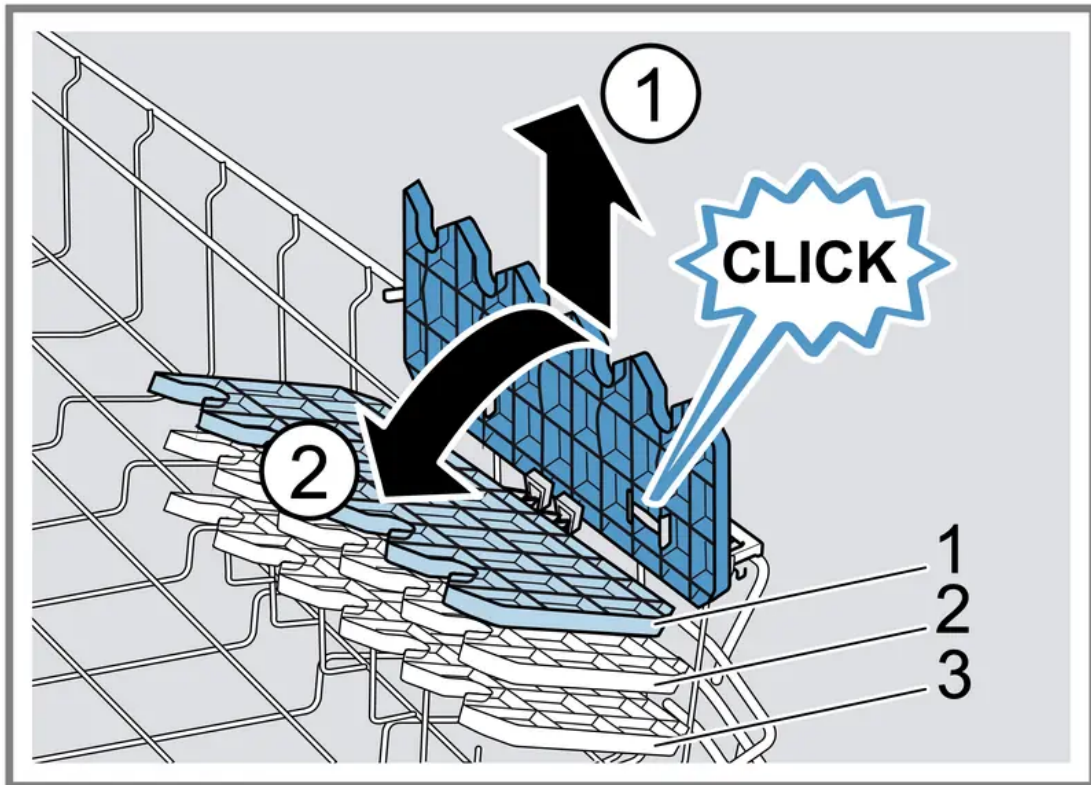
You can adjust the height of the etagere.

If you do not need the etagere, you can fold it up.

## Adjusting etagere

You can adjust the height of the etagere.

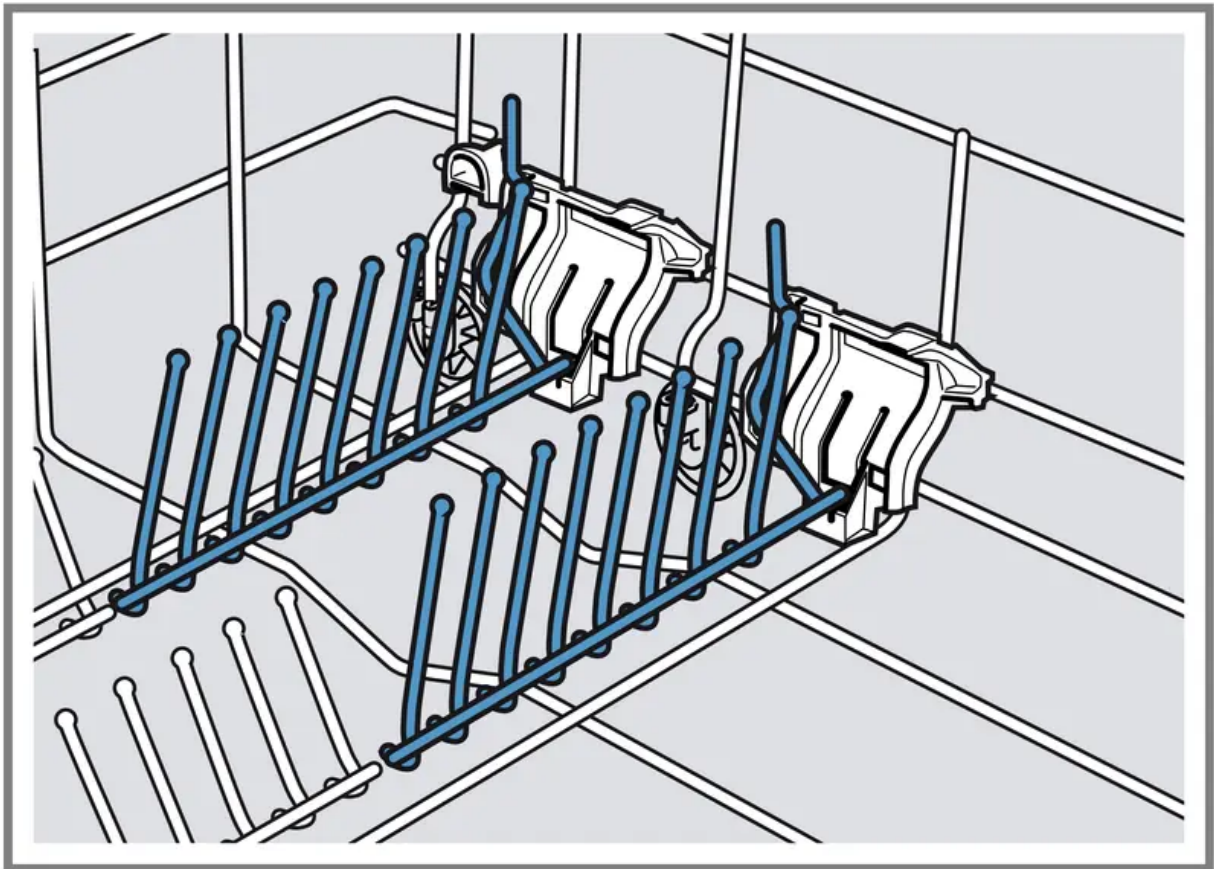
1. Position the etagere vertically and pull it upwards **1**.



2. Position the etagere at a slight angle and move to the right height **2**.
3. Push the etagere down.
  - The etagere clicks into position.

## Folding prongs

Use the folding prongs to position tableware securely, e.g. plates.

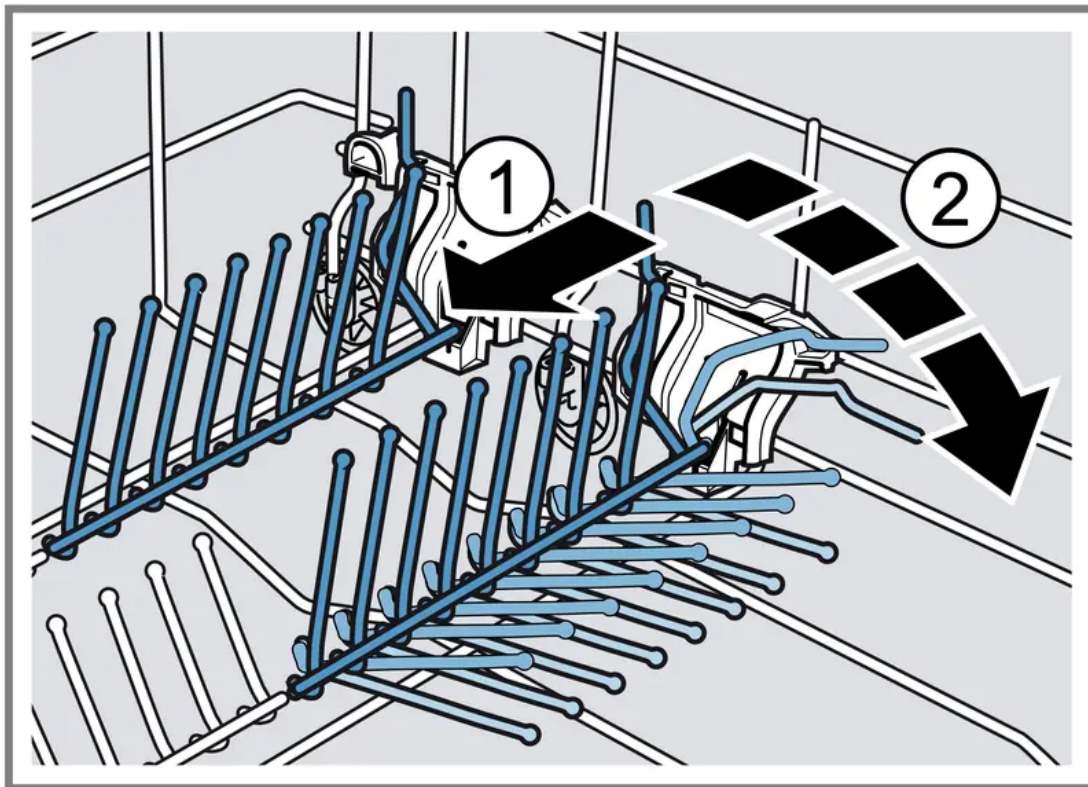


You can fold the prongs down to position pans, bowls and glasses better.

## Folding down prongs

If you do not need the prongs, fold them down.

1. Push the lever forwards **1** and fold down the prongs **2**.

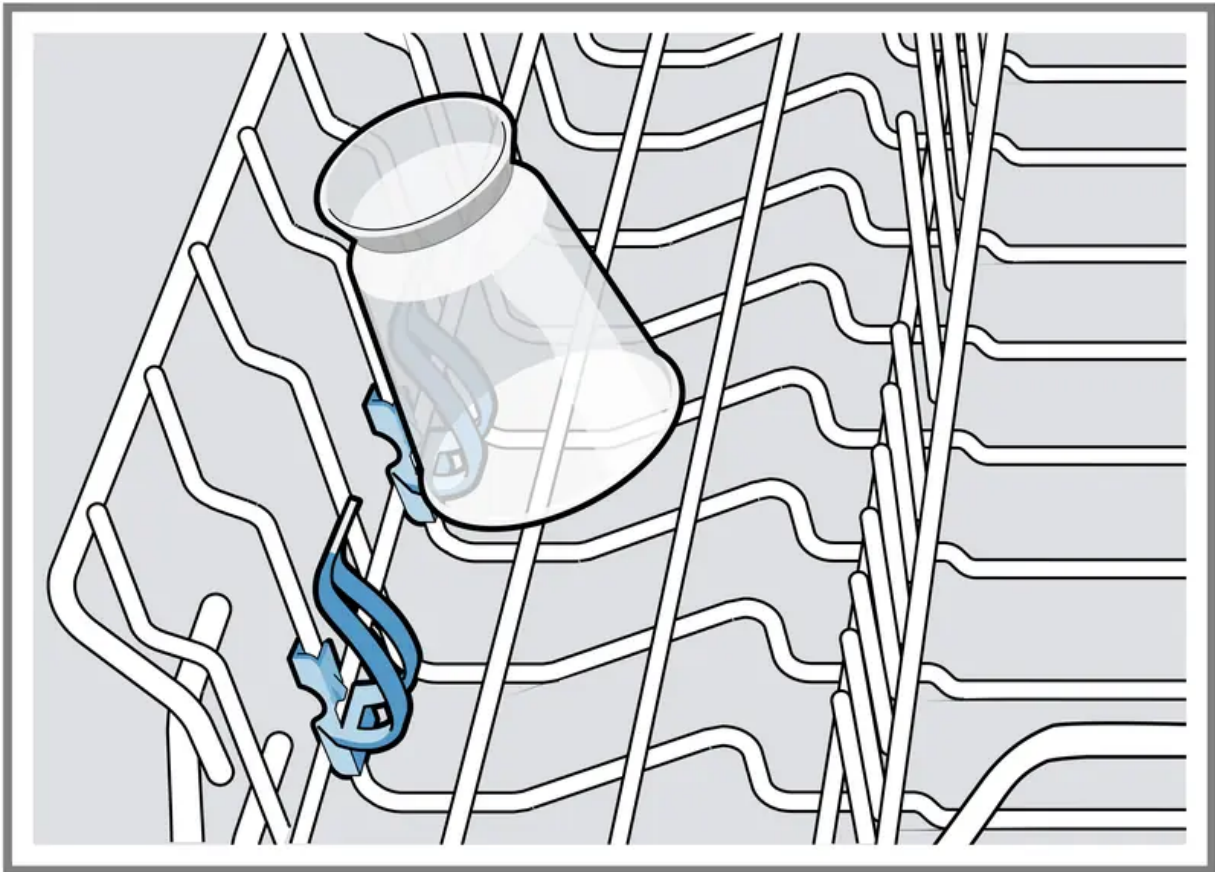


2. To use the folding prongs again, fold them back up.

- The folding prongs click in position.

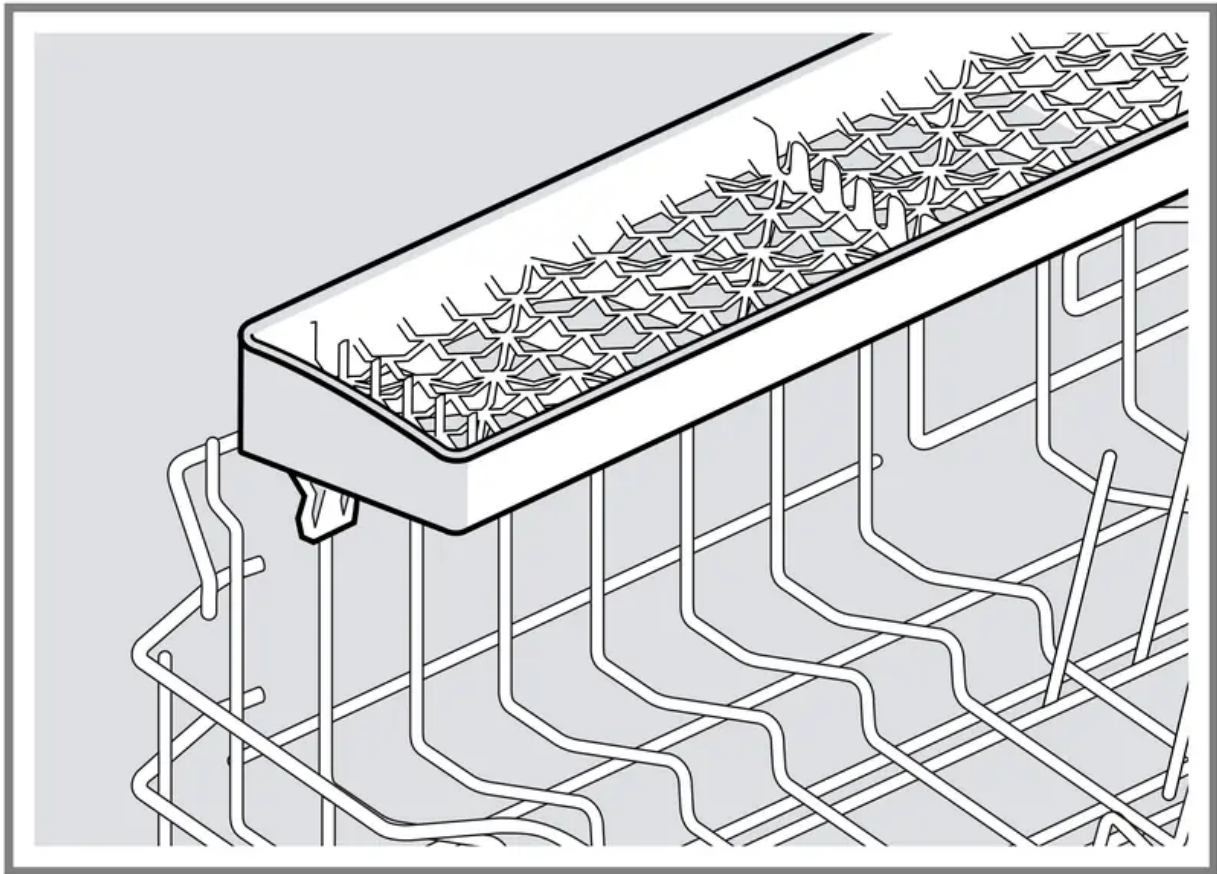
## Small items holder

Use the small items holder to position small items of tableware, e.g. light plastic parts.



### Knife shelf

Use the knife shelf for long, sharp objects and long items of cutlery.



## Rinse aid system

You can use the rinse aid system and rinse aid to get tableware and glasses rinsed perfectly without marks.

### Rinse aid

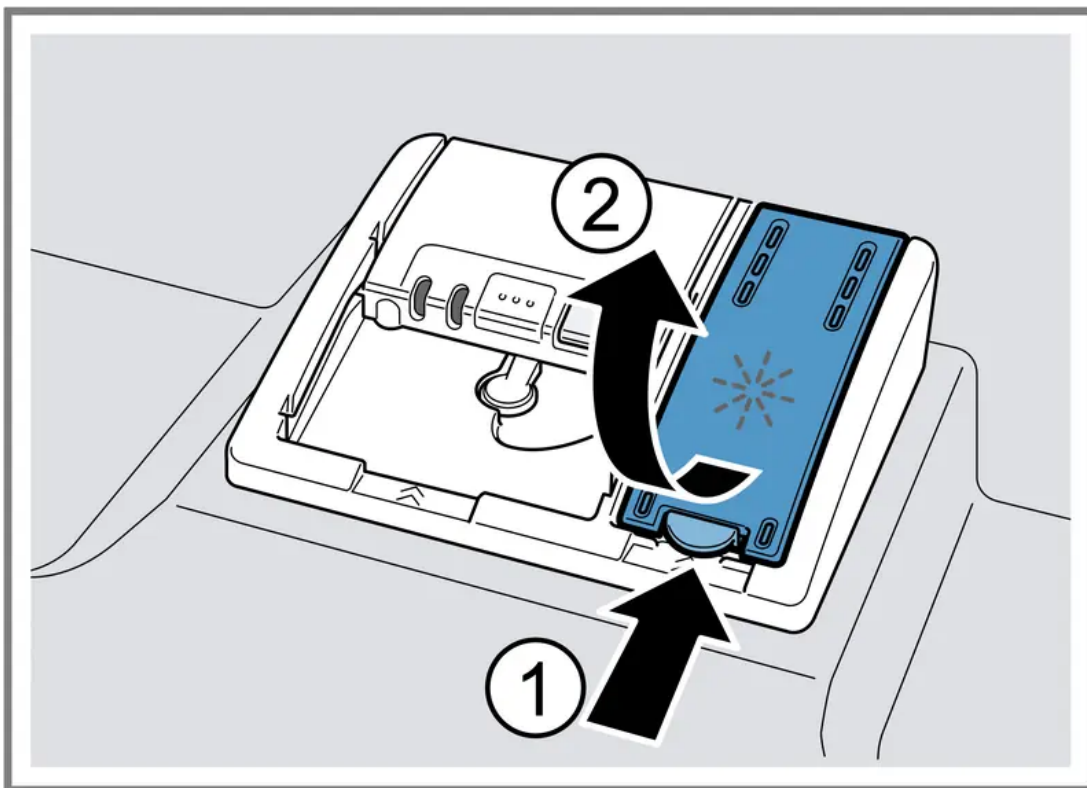
For optimum drying results, use rinse aid.

Only use rinse aid for domestic dishwashers.

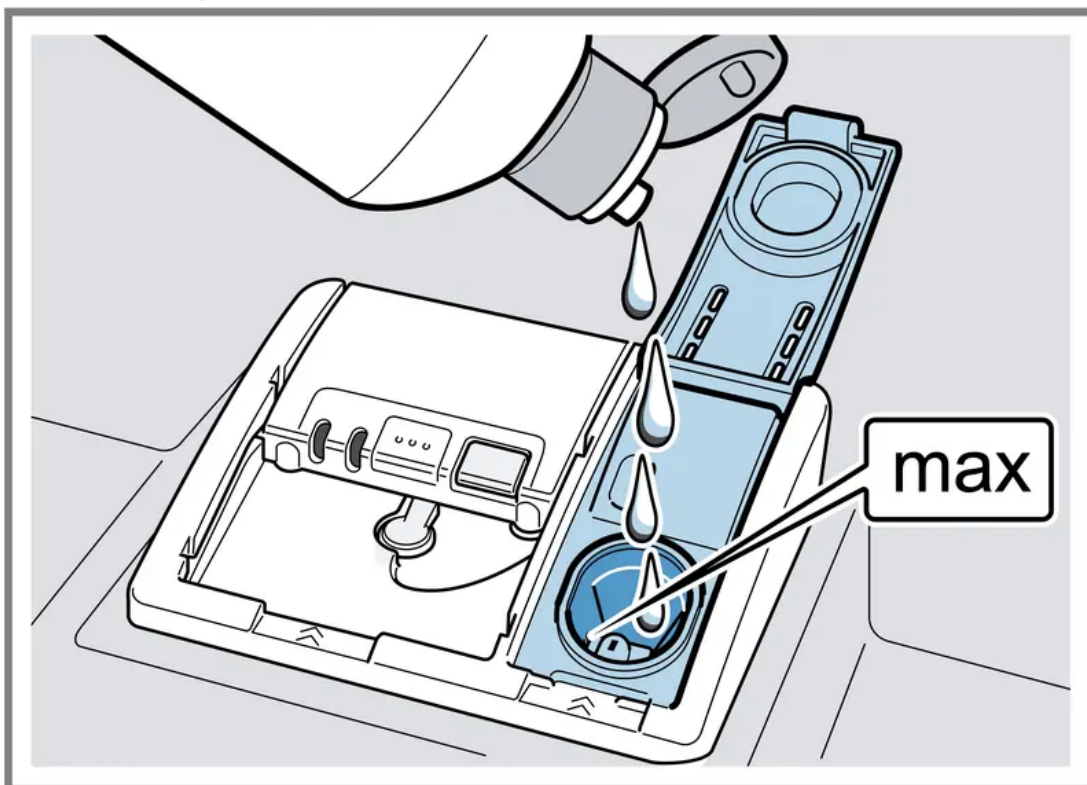
## Adding rinse aid

If the rinse aid refill indicator lights up, top up with rinse aid. Only use rinse aid for domestic dishwashers.

1. Press the catch on the lid of the dispenser for rinse aid **1** and lift **2**.






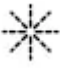
2. Add rinse aid up to the max mark.



3. If rinse aid spills out, remove it from the tub.  
Spilled rinse aid can cause excessive frothing during the wash cycle.
4. Close the lid of the dispenser for rinse aid.
  - The lid clicks into position.

## Setting the amount of rinse aid




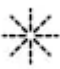
If there are streaks or water marks on tableware, change the amount of rinse aid.

1. Press .
2. Press and hold > and Start until  and  flash.
3. Release buttons.
4. Press > repeatedly until  flashes.
5. Press < repeatedly until the right amount of rinse aid has been set.  
0, 1, 2 or 3 LEDs will light up accordingly.  
The factory setting is level 2 (LED A and LED B → Page 17).  
A low setting adds less rinse aid during the wash cycle and reduces streaking on tableware.  
A higher setting adds more rinse aid during the wash cycle, reduces water marks and improves the drying result.
6. Press to save the setting.
  - The LEDs go out.

## Switching rinse aid system off

If you find the rinse aid refill indicator irritating, e.g. when using combined detergents with a rinse aid component, you can switch the rinse aid system off.

**Tip:** The function of rinse aid is limited with combined detergents. You will generally get better results using rinse aid.

1. Press .
2. Press and hold > and Start until  and  flash.
3. Release buttons.
4. Press > repeatedly until  flashes.
5. Press < repeatedly until no LED lights up (level 0).

6. Press to save the setting.

- The LEDs go out.
- The rinse aid system is switched off and the rinse aid refill indicator is deactivated.

## Detergent

Find out which detergents are suitable for your appliance.

### Suitable detergents

Only use detergents that are suitable for dishwashers. Both separate and combined detergents are suitable. For optimum washing and drying results, use separate detergent, adding Special salt → Page 28 and Rinse aid → Page 30 separately.

Modern, powerful detergents mainly use a low-alkaline formulation with enzymes. Enzymes break down starch and remove protein. Oxygenbased bleaching agents are generally used to remove coloured marks, e.g. tea or ketchup.

**Note:** Follow the manufacturer's instructions for each detergent.

<b>Detergent</b>	<b>Description</b>
Tabs	<p>           Tabs are suitable for all cleaning functions and do not need to be measured out.         </p> <p>           With shorter Programmes tabs sometimes do not dissolve entirely and leave residues of detergent. This may impair the cleaning effect.         </p>
Powder detergent	<p>           Powder detergent is recommended for shorter Programmes.         </p> <p>           The dosage can be adjusted to the level of soiling.         </p>
Liquid detergent	<p>           Liquid detergent works faster and is recommended for shorter Programmes without PreRinse.         </p> <p>           Sometimes liquid detergent may leak out despite the detergent dispenser being closed. This is not a fault and is non-critical if you remember the follow-         </p>



**Tip:** Suitable detergents are available online via our website or from Customer Services → Page 54.

### Separate detergents

Separate detergents are products that do not contain components other than detergent, e.g. powder detergent or liquid detergent.

With powder and liquid detergent the dosage can be individually adjusted to the level of soiling of the tableware.

For better washing and drying results and to avoid damage to the appliance, please additionally use Special salt → Page 28 and Rinse aid → Page 30.

### Combined detergent

Besides conventional separate detergents, a number of products are available with additional functions. These products contain not only detergent but also rinse aid and salt replacement substances (3in1) and, depending on the combination (4in1, 5in1, ...), additional components such as glass protection or stainless steel cleaner.

According to manufacturers, combined detergents generally only function up to a water hardness of 26 °E. With a water hardness above 26 °E you will need to add special salt and rinse aid. For the best washing and drying results we recommend using special salt and rinse aid from a water hardness of 17 °E. If you are using combined detergent, the washing programme is adjusted automatically to ensure the best possible washing and drying result.

### Unsuitable detergents

Do not use detergent which could cause damage to the appliance or present a risk to health.

<b>Detergent</b>	<b>Description</b>
Hand washing-up liquid	Hand washing-up liquid can cause increased frothing and damage the appliance.

<b>Detergent</b>	<b>Description</b>
Detergent containing chlorine	Chlorine residue on tableware may present a risk to health.

### Information on detergents

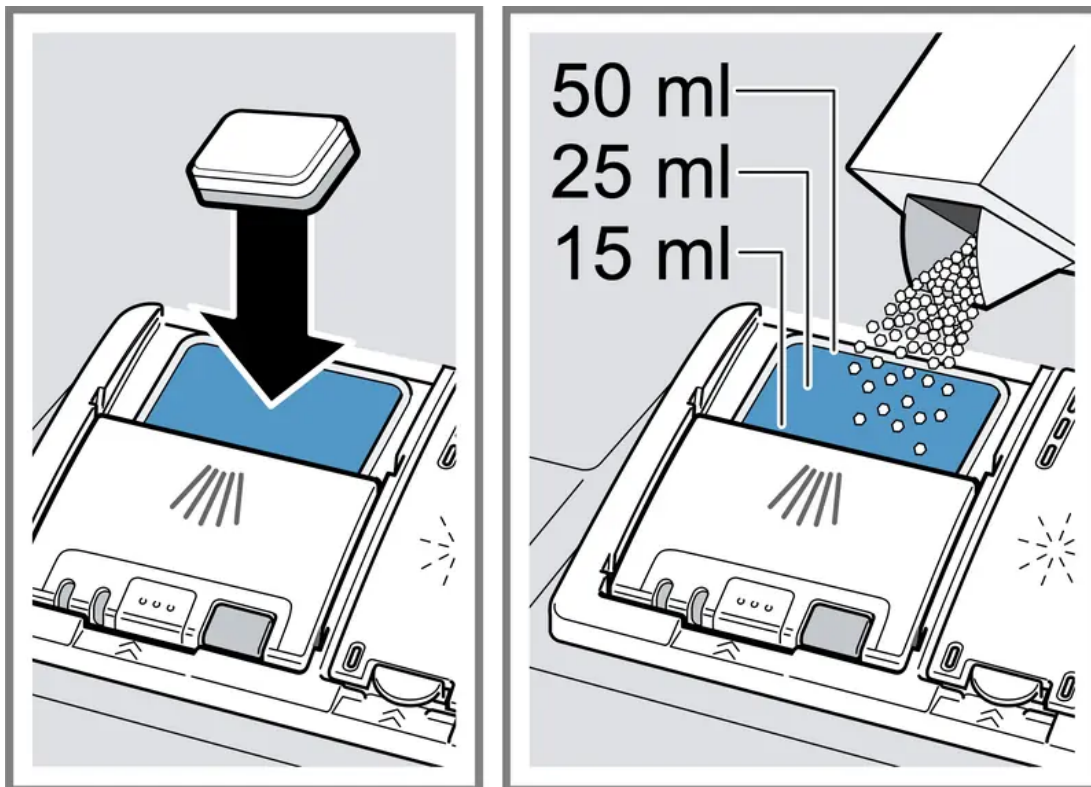
Follow the instructions on detergents in everyday use.

- Detergents marked as "organic" or "ecological" (environmentally friendly) generally contain lower levels of active agents or completely dispense with certain substances. The cleaning effect may be restricted here.
- Set the rinse aid and the water softening system to the separate detergent or combined detergent in use.
- According to manufacturers, combined detergents with salt replacement substances can only be used up to a certain water hardness, usually 26 °E, without adding special salt. For the best washing and drying results we recommend using special salt from a water hardness of 17 °E.
- To prevent sticking, only touch detergents in a water-soluble pouch with dry hands and only ever place them in a dry detergent dispenser. ; Even if the rinse aid and special salt refill indicators light up, washing programmes will run properly with combined detergents.
- The function of rinse aid is limited with combined detergents. You will generally get better results using rinse aid.
- Use tablets with a special drying performance.

### Adding detergent

1. To open the detergent dispenser, press the locking latch.

2. Add the detergent to the dry detergent dispenser.

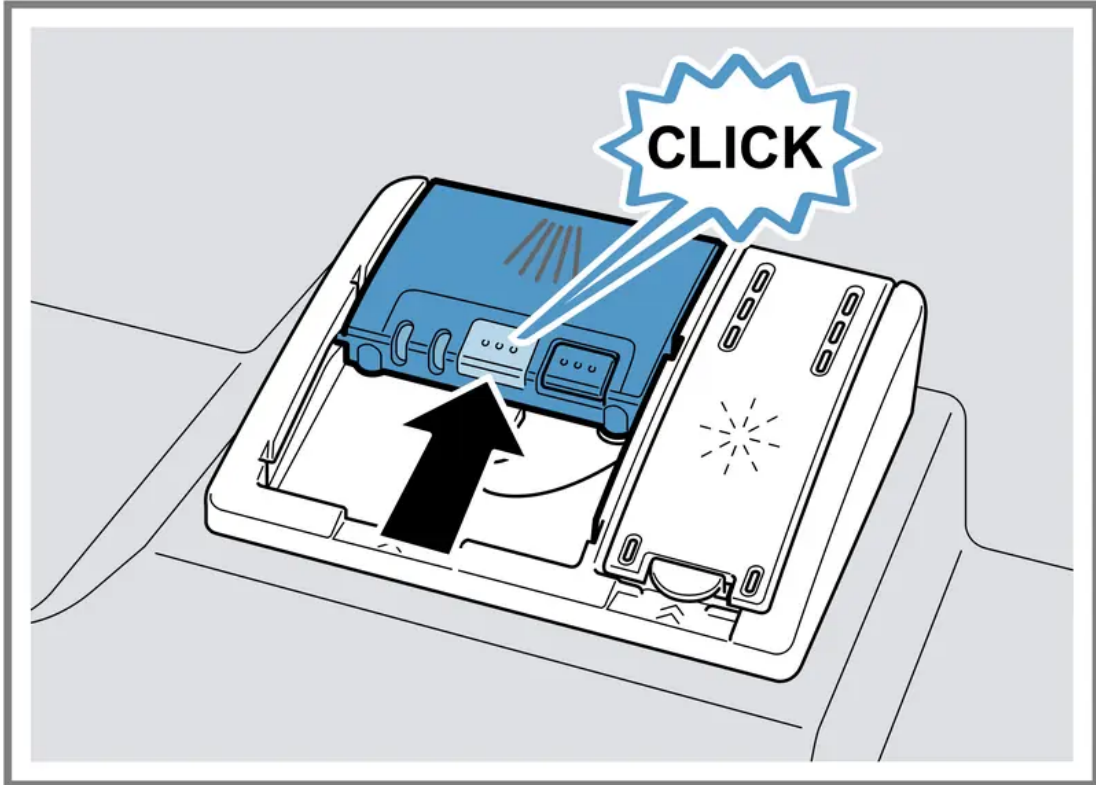


If you are using tablets, one is enough. Insert the tablets in a horizontal position.

If you are using powder or liquid detergent, follow the manufacturer's instructions and quantities for dosage in the detergent dispenser.

20 ml – 25 ml detergent is sufficient for normal soiling. If tableware is only lightly soiled, slightly less than the amount of detergent specified is usually sufficient.

3. Close the lid of the detergent dispenser.



- The lid clicks into position.
- The detergent dispenser will open automatically at the optimum time during the programme. Powder or liquid detergent will spread around the washing tank and dissolve there. Tablets will fall into the tablet collecting tray and dissolve in the right dosage. In order to ensure that tablets can dissolve evenly, do not place any other objects in the tablet collecting tray.

## Tableware

Only clean tableware that is suitable for dishwashers.

**Note:** Decorated glassware and parts made of aluminium or silver may fade or discolour with dishwashing. Delicate types of glass may turn cloudy after a few washing cycles.

### Damage to glass and tableware

Avoid damage to glass and tableware.

Cause	Recommendation
<p>The following tableware is not dishwasher-safe:</p> <ul style="list-style-type: none"> <li>• Items of cutlery and tableware made from wood</li> <li>• Decorated glassware, antique and hand-crafted tableware</li> <li>• Plastic parts not resistant to heat</li> <li>• Tableware made from copper or tin</li> <li>• Tableware soiled with ash, wax, lubricating grease or paint</li> <li>• Very small items of tableware</li> </ul>	<p>Only put tableware in the dishwasher if it is marked as dishwasher-safe by the manufacturer.</p>
<p>Glass and tableware was not dishwashersafe.</p>	<p>Only put glasses and china in the dishwasher if it is marked as dishwasher-safe by the manufacturer.</p>
<p>The chemical composition of the detergent causes damage.</p>	<p>Use a detergent marked as gentle on tableware by the manufacturer.</p>
<p>Highly caustic alkaline or highly acidic cleaning agents, in particular commercial or industrial cleaning agents, are not suitable for dishwashers in conjunction with aluminium.</p>	<p>If you are using highly caustic alkaline or highly acidic cleaning agents, in particular commercial or industrial cleaning agents, do not put aluminium parts in the dishwasher interior.</p>
<p>The water temperature of the programme is too high.</p>	<p>Select a programme with lower temperatures.</p> <p>After the programme has ended, take glassware and cutlery out of the appliance without delay.</p>

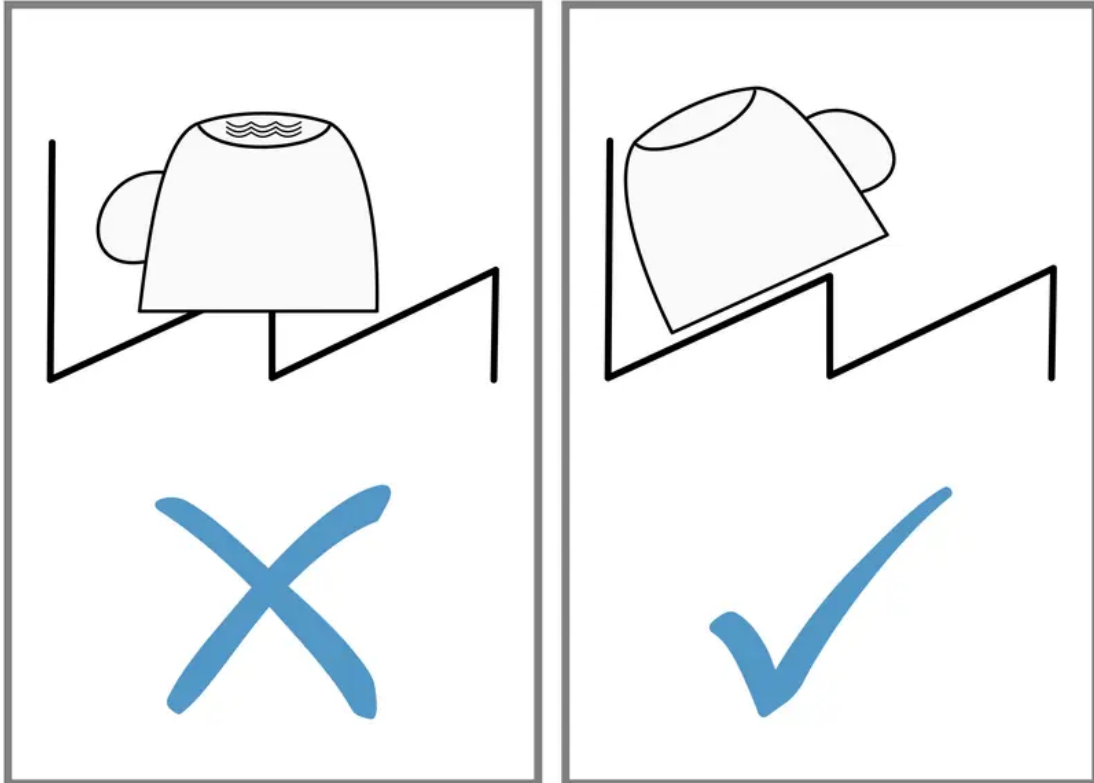
## Arrange tableware

Arrange the tableware correctly to optimise the dishwashing result and prevent damage to both the appliance and tableware.

### Tips

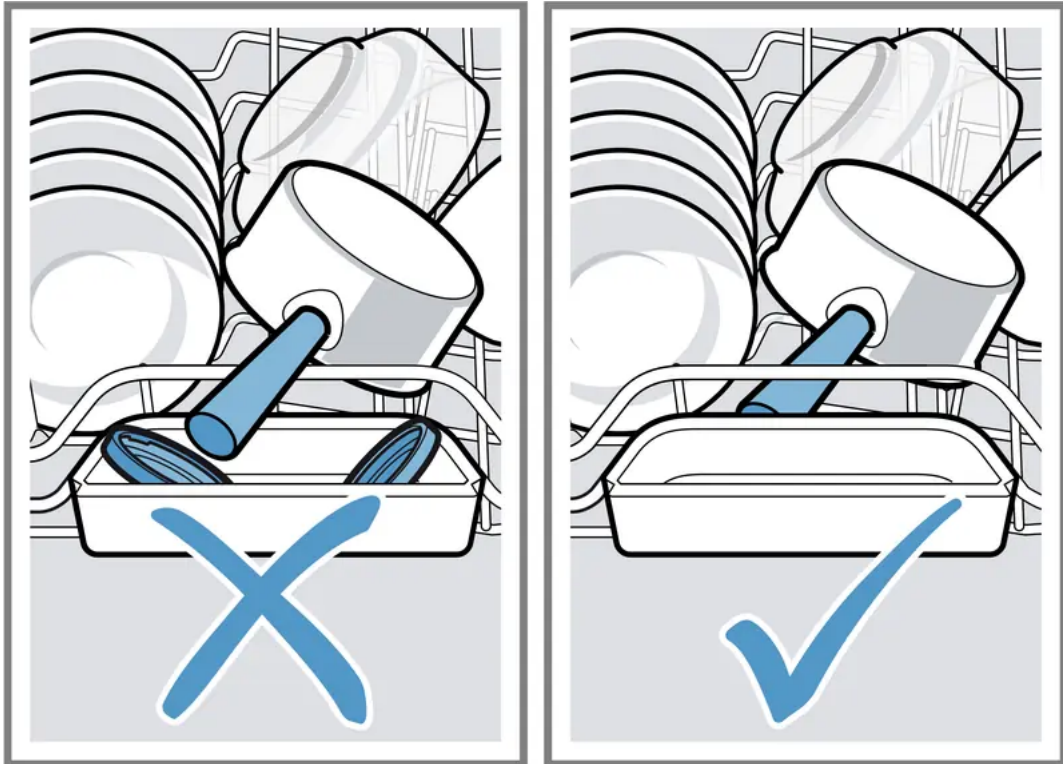
- Using the appliance allows you to save energy and water compared to washing-up by hand.

- See our website for examples of how to load your appliance efficiently, free of charge.
- To save energy and water, load the machine with the number of place settings specified.  
→ "Technical specifications", Page 55.
- For better washing and drying results, position items with curves or recesses at an angle so the water can run off.



1. Remove large remnants of food from your tableware.  
To save resources, do not prerinse tableware under running water.
2. Observe the following when arranging tableware:
  - Put heavily soiled tableware in the bottom basket, e.g. pans. The more powerful the spray jet, the better the dishwashing result will be.
  - To prevent damage to tableware, arrange it so it is stable and cannot tip over.
  - To prevent injury, arrange cutlery with the points and sharp edges downwards.
  - Position containers with the openings facing down so no water can collect in them.
  - Do not block the spray arms make sure that they can turn freely.

- Do not place small parts in the tablet collecting tray and do not block it with tableware so as not to obstruct the lid of the detergent dispenser.



## Removing tableware

**WARNING - Risk of injury:** Hot tableware can cause burns to the skin. When hot, tableware is sensitive to shock, may crack and can result in injury.

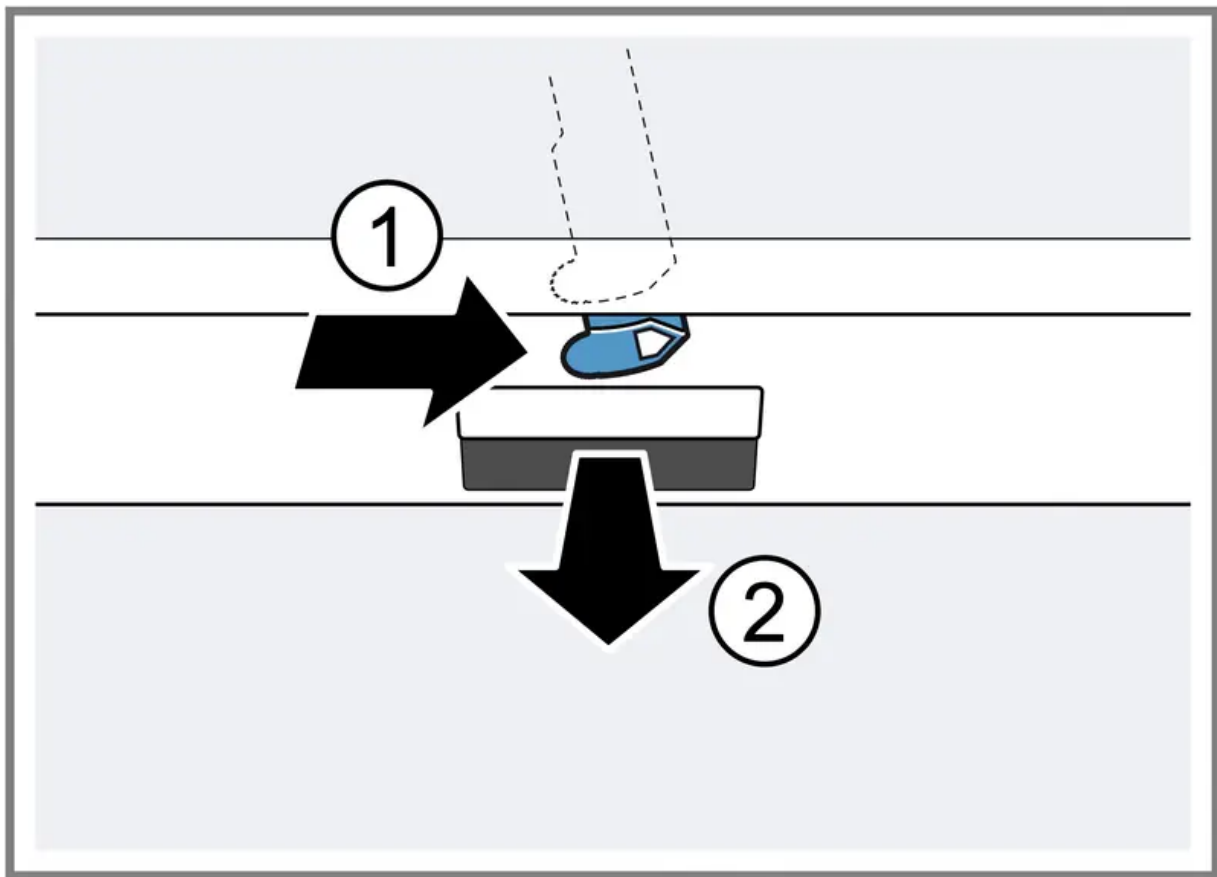
- When the programme has ended, do not empty the appliance until the tableware has cooled down for a while.
1. To prevent water dripping on the tableware, unload it starting at the bottom and working up.
  2. Check the washing tank and accessories for soiling and clean if necessary.  
→ "Cleaning and servicing", Page 39.

## Basic operation

You can find out everything you need to know about operating your appliance here.

### Opening appliance door

1. If the childproof lock is not activated, open the appliance door.
2. If the childproof lock is activated, press the catch of the lock to the right **1** and open the appliance door **2**.



## Switching on the appliance

- Press .

The Eco 50° programme is set by default.

The Eco 50° programme is an especially environmentally friendly programme and ideal for normally soiled tableware. It is the most efficient programme for the combination of energy/water consumption for this type of tableware and evidences conformity with the EU Ecodesign Order.

If you do not perform any actions on the appliance for 15 minutes, the appliance will automatically switch off.

## Setting a programme

To adjust the wash cycle to the soiling level of the tableware, select a suitable programme.

Press < or > repeatedly until the right programme has been selected.

→ "Programmes", Page 19

The programme is set and the LED flashes.

## Setting additional functions

You can set additional functions to complete the washing programme selected.

**Note:** The additional functions which can be used depend on the programme selected.

→ "Programmes", Page 19


Press the button for the relevant additional function.

→ "Additional functions", Page 21

The additional function is set and the additional function button flashes.

## Setting timer programming

You can delay the start of the programme by 3, 6 or 9 hours.

1. Press  repeatedly until the relevant display lights up.
2. To activate timer programming, press .

**Note:** To deactivate timer programming, press  repeatedly until none of the displays 3h, 6h or 9h lights up.

## Starting the programme

Press Start

While the programme is running, a spot of light is projected onto the floor below the appliance door. This light will not be visible if the appliance is installed at eye level with the cabinet front fitted flush.

The programme has ended when no indicators on the controls light up.



The programme has ended when the spot of light is no longer visible on the floor.

### Notes:

- If you want to add more tableware while the appliance is running, do not use the tablet collecting tray as a handle for the top basket. You might touch the partially dissolved tablet.
- You can only change a programme when running if you cancel it.  
→ "Terminate programme", Page 37
- The appliance switches off automatically 1 minute after the end of the programme to save energy. If you open the appliance door immediately after the programme has ended, the appliance will switch off after 4 seconds.

## Interrupting programme

**Note:** When you open the appliance door once the appliance has heated up, leave the door slightly ajar for a few minutes and then close it. This will help prevent excess pressure building up in the appliance and stop the appliance door bursting open.


1. Press  .  
The programme is saved and the appliance switches off.
2. Press  to resume the programme.


## Terminate programme

To end a programme early or to switch from a programme that has already started, you will need to terminate it first.

1. Open the appliance door.
2. Press Reset 3 sec. for approx. 3 seconds.
3. Close the appliance door.
  - The programme is terminated and ends after approx. 1 minute.
  - The indicators of the controls are off.

## Switching off appliance

1. Please note the information on Safe use → Page 11.
2. Press  .
3. To prevent damage from dripping water, turn the water tap off tight (not applicable to appliances with Aqua-Stop).

**Tip:** If you press  during the wash cycle, the programme currently running will be interrupted. When you switch the appliance back on, the programme continues automatically.

## Cleaning and servicing

To keep your appliance working efficiently for a long time, it is important to clean and maintain it carefully.

## Cleaning the tub

**WARNING - Risk of harm to health:** Using detergents containing chlorine may result in harm to health.

- Never use detergents containing chlorine.
1. Remove any coarse soiling in the interior with a damp cloth.
  2. Add detergent to the detergent dispenser.
  3. Select the programme with the highest temperature.  
→ "Programmes", Page 19
  4. Start the programme without tableware. → Page 36

## Self-cleaning interior

remain clean and hyTo remove deposits, the appliance self-cleans the interior at regular intervals.

The programme sequence is automatically adjusted for self-cleaning, e.g. the cleaning temperature is briefly increased. Consumption values, e.g. water and electricity, may also increase.

If the interior is no longer self-cleaned adequately and deposits occur, see this information:

→ "Cleaning the tub", Page 39.

## Cleaning products

Only use suitable cleaning products to clean your appliance.

→ "Safe use", Page 11

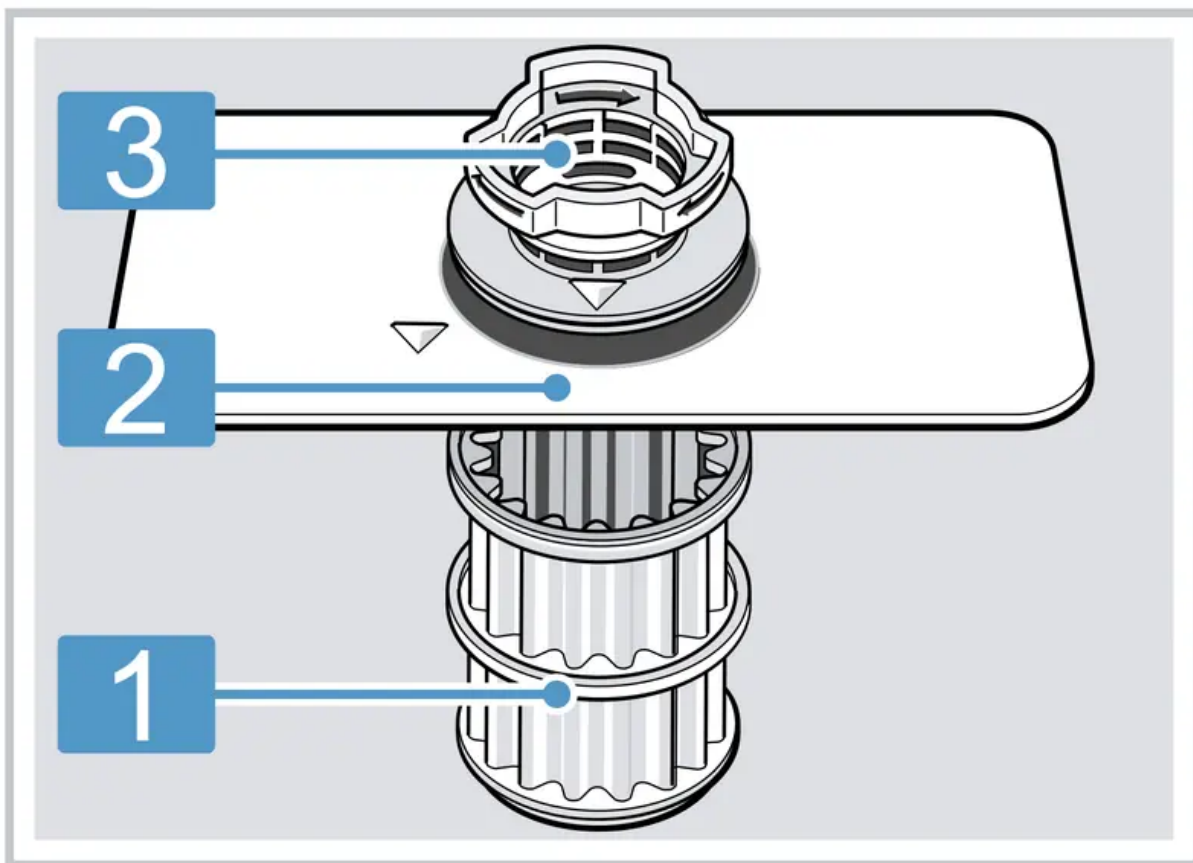
## Tips on appliance care

Follow the tips on appliance care to make sure your appliance functions properly at all times.

Action	Benefit
Wipe the door seals, the front of the dishwasher and the control panel regularly using a damp cloth and washing-up liquid.	This ensures the parts of the appliance will remain clean and hygienic.
If the appliance is not going to be used for a while, leave the door slightly ajar.	This will prevent unpleasant odours.

## Filter system

The filter system removes coarse soiling from the dishwashing cycle.



---

**1** Micro filter

---

**2** Fine filter

---

**3** Coarse filter

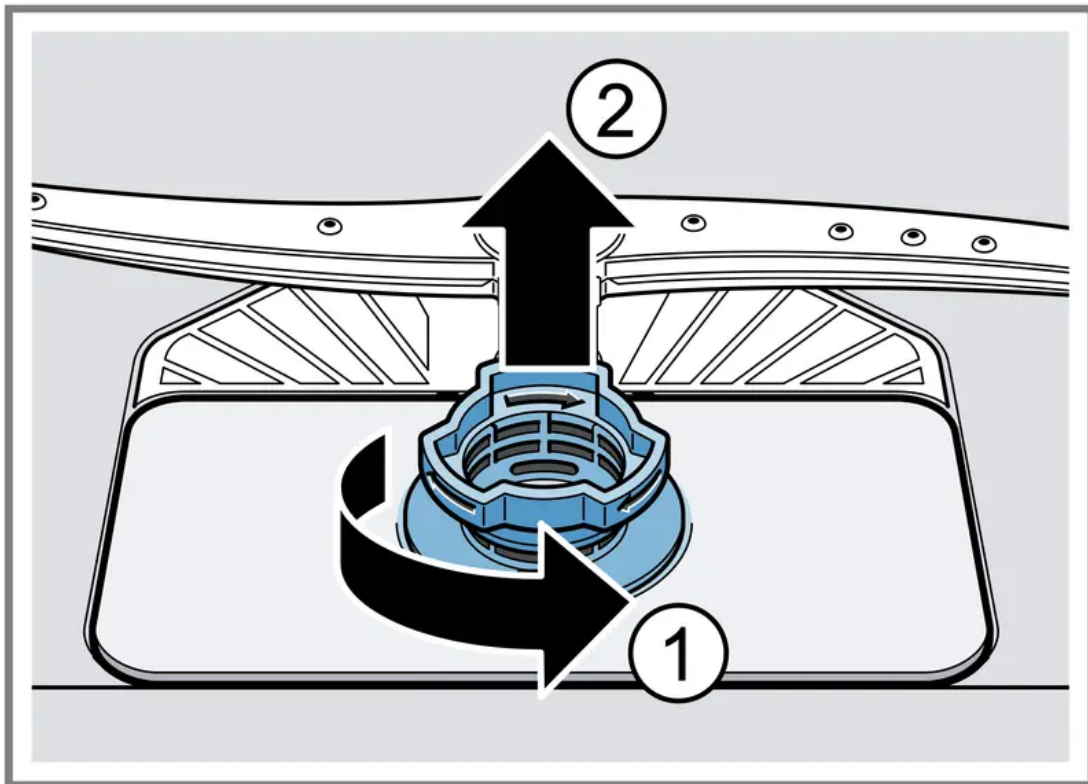
---

### Cleaning filters

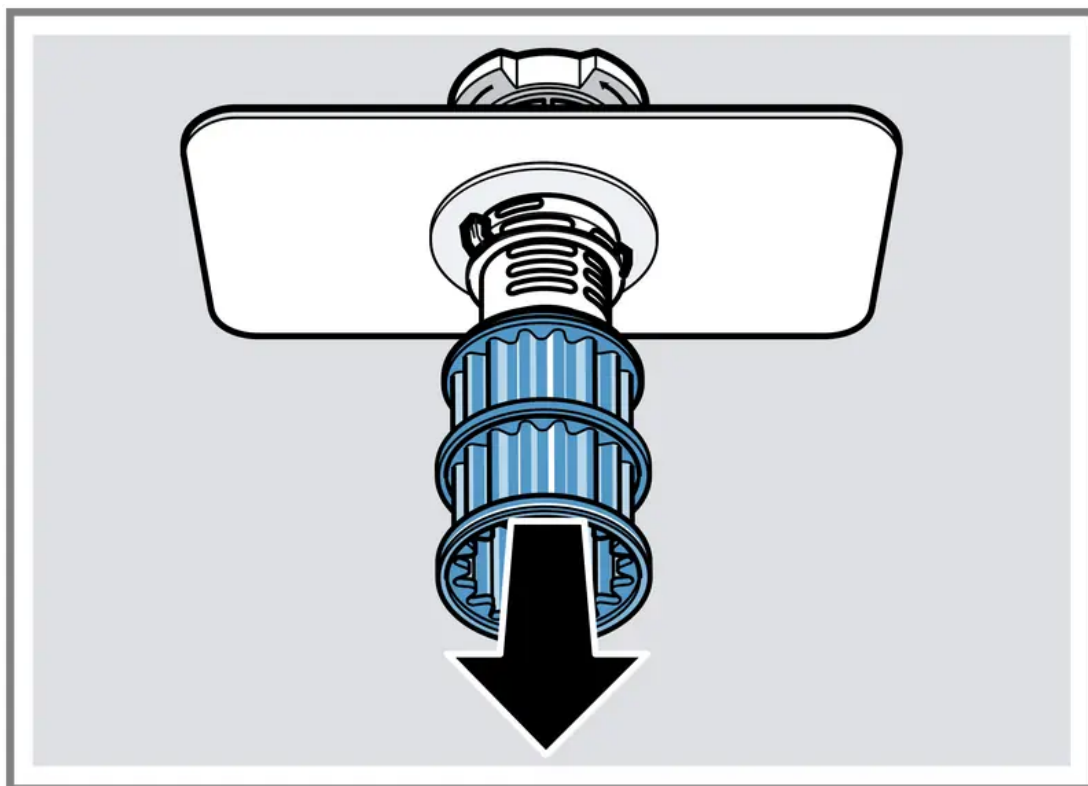
Soiling in the dishwashing water may block the filters.

1. After each wash check the filters for residue.

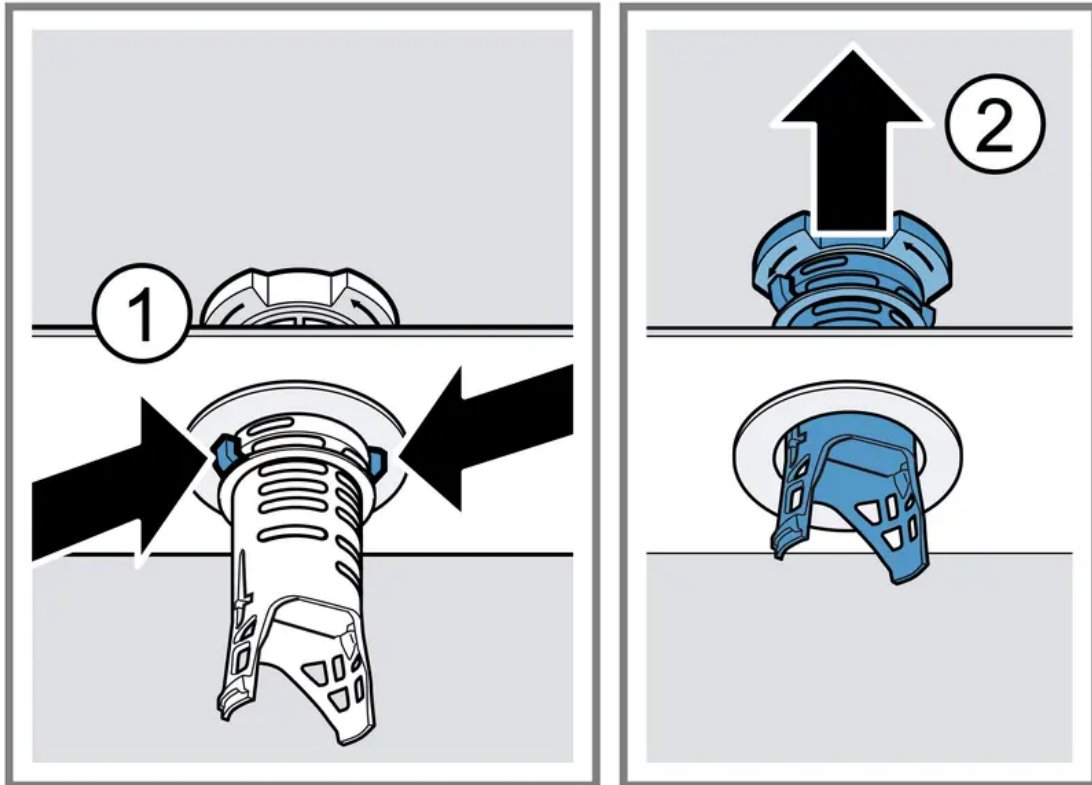
2. Turn the coarse filter anticlockwise 1 and remove the filter system 2.  
Check that no foreign objects fall into the sump.



3. Pull down the micro filter to remove.



4. Press the locking catches **1** together and lift the coarse filter out **2**.

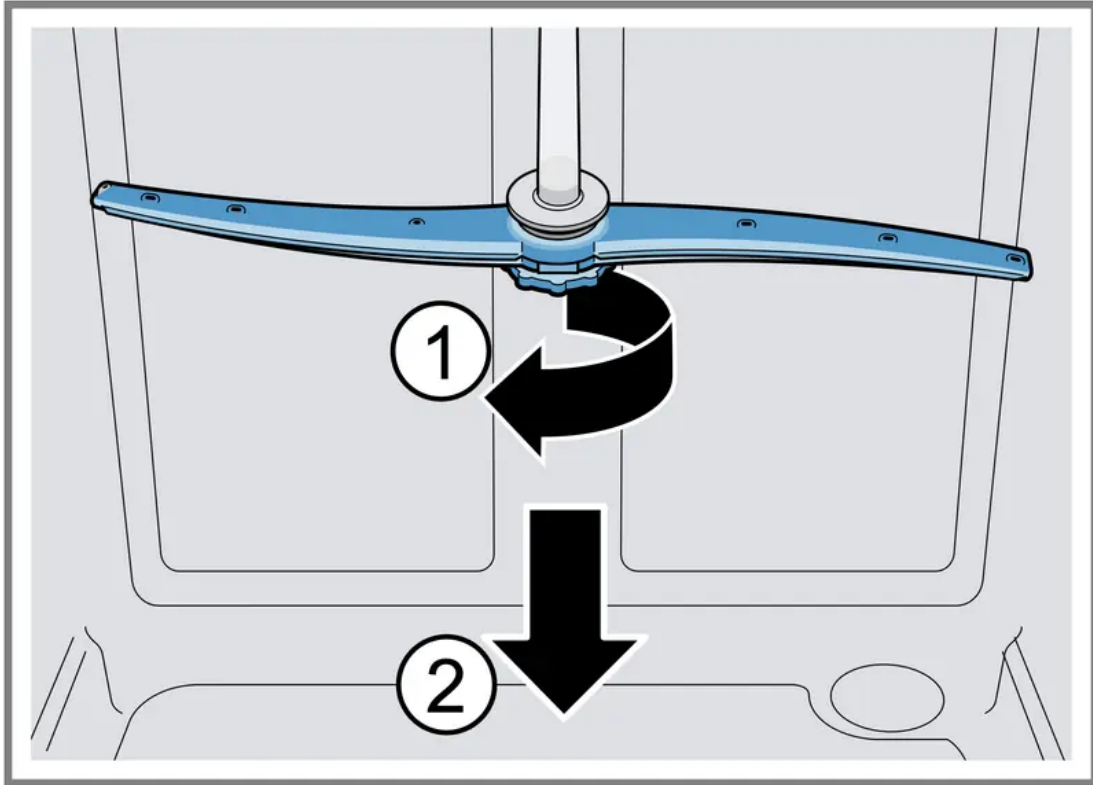


5. Clean the filter elements under running water.  
Carefully clean the rim of dirt between the coarse and the fine filter.
6. Re-assemble the filter system.  
Make sure that the locking catches on the coarse filter click into position.
7. Insert the filter system into the appliance and turn the coarse filter clockwise.  
Make sure that the arrow markings match up.

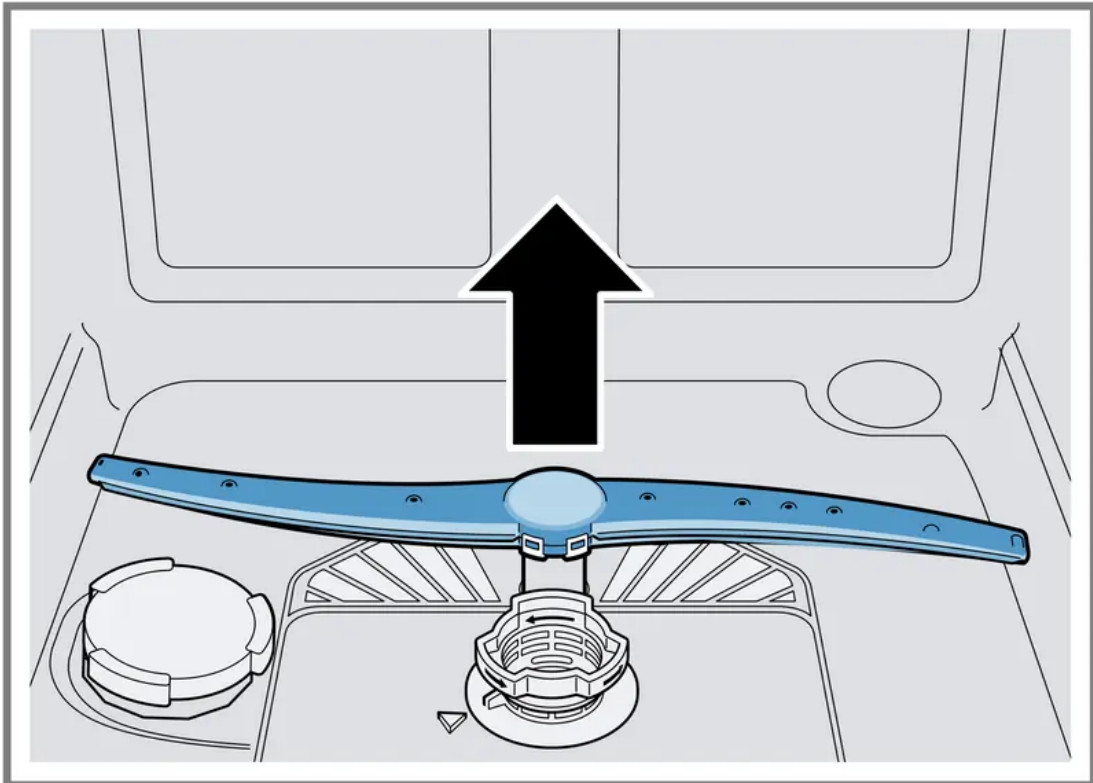
## Cleaning spray arms

Limescale and soiling in the dishwashing water may block the nozzles and bearings on the spray arms. Clean the spray arms regularly.

1. Unscrew the upper spray arm **1** and pull down to remove **2**.



2. Pull up the lower spray arm to remove.



3. Check the outlet nozzles on the spray arms for blockages under running water and remove any foreign bodies.
4. Insert the lower spray arm.  
The spray arm clicks into position.
5. Insert the upper spray arm and screw it firmly in place.

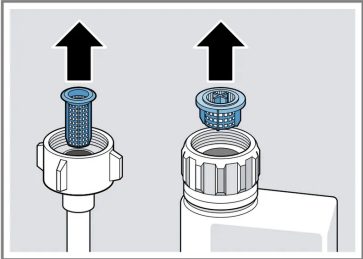
## **Troubleshooting**



You can rectify minor faults on your appliance yourself. Read the troubleshooting information before contacting after-sales service. This will avoid unnecessary costs.

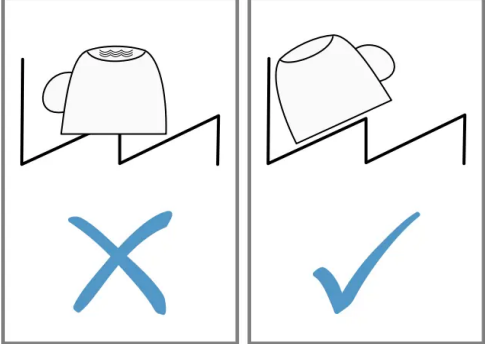
### **WARNING - Risk of electric shock**

Improper repairs are dangerous.

- Repairs to the appliance should only be carried out by trained specialist staff.
- Only use genuine spare parts when repairing the appliance.
- If the power cord of this appliance is damaged, it must be replaced with a special connection cable, which is available from the manufacturer or his Customer Service.

Fault	Cause	Troubleshooting
<b>Appliance safety</b>		
Appliance door will not open or cannot be opened easily.	Childproof lock is activated.	<ul style="list-style-type: none"> <li>• Open the appliance door. → Page 35</li> </ul>
<b>Error code / Fault display / Signal</b>		
Display for water supply lights up.	Supply hose is kinked.	<ul style="list-style-type: none"> <li>• Install the supply hose without kinks.</li> </ul>
	Water tap is turned off.	<ul style="list-style-type: none"> <li>• Turn on the water tap.</li> </ul>
	Water tap is jammed or furred up.	<ul style="list-style-type: none"> <li>• Turn on the water tap.</li> </ul>
	Filter in the water supply is blocked.	<ol style="list-style-type: none"> <li>1. Switch off the appliance.</li> <li>2. Pull out the mains plug.</li> <li>3. Turn off the water tap.</li> <li>4. Unscrew the water connection.</li> <li>5. Remove the filter from the supply hose</li> </ol>  <ol style="list-style-type: none"> <li>6. Clean the filter.</li> <li>7. Re-insert the filter in the supply hose.</li> <li>8. Screw the water connection back on.</li> <li>9. Check the water connection for leaks.</li> <li>10. Restore the power supply.</li> <li>11. Switch the appliance on.</li> </ol>

Fault	Cause	Troubleshooting
	Filters are soiled or blocked.	<ul style="list-style-type: none"> <li>• Clean the filters. → "Cleaning filters", Page 40</li> </ul>
	Wastewater hose is blocked or kinked.	<ol style="list-style-type: none"> <li>1. Reposition the wastewater hose without kinks.</li> <li>2. Remove residues.</li> </ol>
	Siphon connection is still sealed.	<ul style="list-style-type: none"> <li>• Check the connection to the siphon and open if necessary.</li> </ul>
	Cover of the wastewater pump is loose.	<ul style="list-style-type: none"> <li>• Secure the cover of the Wastewater pump → Page 53 so it clicks into position.</li> </ul>
Display "Check water supply" flashes	A technical fault is present.	<ol style="list-style-type: none"> <li>1. Press .</li> <li>2. Unplug the appliance or switch off the fuse.</li> <li>3. Wait at least 2 minutes.</li> <li>4. Insert the mains plug of the appliance in a socket or switch on the fuse</li> <li>5. Switch the appliance on.</li> <li>6. If the problem occurs again <ul style="list-style-type: none"> <li>• Press .</li> <li>• Turn off the water tap.</li> <li>• Pull out the mains plug</li> <li>• Contact Customer Service → Page 54 and give the error code.</li> </ul> </li> </ol>
Displays flash	Appliance door is not closed properly.	<ul style="list-style-type: none"> <li>• Close the appliance door. <ul style="list-style-type: none"> <li>◦ Arrange the tableware so that no</li> </ul> </li> </ul>

Fault	Cause	Troubleshooting
		<p>parts project beyond the basket and prevent the appliance door from closing properly.</p>
<b>Washing results</b>		
Tableware is not dry.	No rinse aid used or dosage set too low.	<ol style="list-style-type: none"> <li>1. Add Rinse aid → Page 30.</li> <li>2. Set the amount of rinse aid to be dispensed. → "Setting the amount of rinse aid", Page 30</li> </ol>
	Selected programme has no drying phase	<ul style="list-style-type: none"> <li>• Select a programme with drying.</li> </ul>
	Water collects in recesses of the tableware or cutlery.	<ul style="list-style-type: none"> <li>• Position tableware at an angle where possible.</li> </ul> 
	The combined detergent used has a poor drying performance.	<ol style="list-style-type: none"> <li>1. Use rinse aid to improve drying performance.</li> <li>2. Use a different combined detergent with a better drying performance.</li> </ol>
	Extra Dry not activated to improve drying performance.	<ul style="list-style-type: none"> <li>• Activate Extra Dry.</li> </ul>

Fault	Cause	Troubleshooting
	<p>Tableware removed too early or drying process not yet ended.</p>	<ol style="list-style-type: none"> <li>1. Wait until the programme ends.</li> <li>2. Only remove tableware 30 minutes after the programme has ended.</li> </ol>
	<p>Rinse aid used has a limited drying performance.</p>	<ul style="list-style-type: none"> <li>• Use a name-brand rinse aid.</li> <li>• Eco products may have limited effectiveness.</li> </ul>
<p>Plastic tableware is not dry.</p>	<p>Not a fault. As plastic does not store heat so well, it also does not dry as well.</p>	<ul style="list-style-type: none"> <li>• No remedial action possible.</li> </ul>
<p>Cutlery is not dry.</p>	<p>Cutlery not arranged properly in the cutlery basket or cutlery drawer.</p>	<ol style="list-style-type: none"> <li>1. Arrange the cutlery properly. → "Arrange tableware", Page 34</li> <li>2. Arrange cutlery individually where possible.</li> <li>3. Avoid points of contact.</li> </ol>
<p>Appliance interior still wet after wash cycle.</p>	<p>Not a fault. The condensation drying principle causes water droplets in the tub they are indeed desirable here. The moisture in the air condenses on the inside walls, runs off and is pumped out.</p>	<ul style="list-style-type: none"> <li>• No action required.</li> </ul>
<p>Remnants of food on tableware.</p>	<p>Tableware was placed too close together.</p>	<ol style="list-style-type: none"> <li>1. Arrange tableware with sufficient space in between. The spray jets must reach the surfaces of the tableware.</li> <li>2. Avoid points of contact.</li> </ol>

Fault	Cause	Troubleshooting
	Basket is overfilled.	<ol style="list-style-type: none"> <li>1. Arrange tableware with sufficient space in between. The spray jets must reach the surfaces of the tableware.</li> <li>2. Avoid points of contact.</li> </ol>
	Spray arm rotation is blocked.	<ul style="list-style-type: none"> <li>• Arrange tableware so that it does not obstruct spray arm rotation.</li> </ul>
	Spray arm nozzles are blocked.	<ul style="list-style-type: none"> <li>• Clean the Spray arms</li> <li>• → Page 41.</li> </ul>
	Filters are soiled.	<ul style="list-style-type: none"> <li>• Clean the filters. → "Cleaning filters", Page 40</li> </ul>
	Filters are inserted incorrectly and/or not engaged.	<ol style="list-style-type: none"> <li>1. Insert the filters properly. → " Filter system", Page 40</li> <li>2. Engage the filters.</li> </ol>
	Washing programme selected too weak.	<ul style="list-style-type: none"> <li>• Select a more intensive washing programme.</li> <li>• Adjust the sensitivity of the sensors.</li> </ul>
	Tableware has been precleaned too intensely. The sensors chose a weaker programme. Stubborn soiling cannot be entirely removed.	<ul style="list-style-type: none"> <li>• Only remove large remnants of food and do not prerinse tableware.</li> </ul>
	Tall narrow receptacles in corner areas are not rinsed adequately.	<ul style="list-style-type: none"> <li>• Do not position tall narrow receptacles at too great an angle or in corner areas.</li> </ul>

Fault	Cause	Troubleshooting
	Top baskets on right and left are not set to same height.	<ul style="list-style-type: none"> <li>• Set the top baskets on the left and right to the same level. → "Top basket", Page 22</li> </ul>
Detergent residue in the appliance	Lid of the detergent dispenser is blocked by items of tableware parts and will not open.	<ol style="list-style-type: none"> <li>1. Arrange tableware in the top basket tableware so the tab collecting tray is not obstructed by tableware. → "Arrange tableware", Page 34 Items of tableware are blocking the dispenser lid.</li> <li>2. Do not place tableware or fragrance dispensers in the tablet collecting tray.</li> </ol>
	The lid of the detergent dispenser is blocked by the tab and will not open.	<ul style="list-style-type: none"> <li>• Position the tab in the detergent dispenser crosswise, not vertically.</li> </ul>
	Tabs are used in the quick or short programme. Dissolving time of the tab is not attained.	<ul style="list-style-type: none"> <li>• Select a more intensive Programme or use Powder detergent → Page 31.</li> </ul>
	Washing effect and dissolving performance are reduced after a prolonged storage time or detergent is very lumpy.	<ul style="list-style-type: none"> <li>• Change your detergent → Page 31.</li> </ul>
Water marks on plastic parts.	Due to laws of physics droplet formation on plastic surfaces is unavoidable. After drying water marks are visible.	<ul style="list-style-type: none"> <li>• Select a more intensive programme.</li> <li>• Position tableware at an angle. → "Arrange tableware", Page 34</li> </ul>

Fault	Cause	Troubleshooting
		<ul style="list-style-type: none"> <li>• Use rinse aid. → "Rinse aid", Page 30</li> <li>• Set the water softening system higher.</li> </ul>
Wipeable or water-soluble coatings are present inside the appliance or on the door.	Detergent substances are deposited there. These coatings cannot generally be removed with chemicals.	<ul style="list-style-type: none"> <li>• Change your detergent → Page 31.</li> <li>• Clean the appliance mechanically.</li> </ul>
	White coating is deposited in the appliance interior.	<ol style="list-style-type: none"> <li>1. Set the water softening system correctly. In most cases you will need to increase the setting.</li> <li>2. Change your detergent if required.</li> </ol>
	Special salt dispenser is not screwed tight.	<ul style="list-style-type: none"> <li>• Screw the special salt dispenser tight.</li> </ul>
Stubborn white coatings are present on tableware, inside the appliance or the door.	Detergent substances are deposited there. These coatings cannot generally be removed with chemicals.	<ul style="list-style-type: none"> <li>• Change your detergent → Page 31.</li> <li>• Clean the appliance mechanically.</li> </ul>
	The hardness range is set incorrectly or the water hardness is greater than 44 °E (6,2 mmol/l).	<ul style="list-style-type: none"> <li>• Set the Water softening system → Page 27 to the water hardness or add special salt.</li> </ul>

Fault	Cause	Troubleshooting
	3in1/organic/eco detergent is not effective enough.	<ul style="list-style-type: none"> <li>• Set the Water softening system → Page 27 to the water hardness and use separate detergents (proprietary detergent, special salt, rinse aid).</li> </ul>
	Too little detergent is being used.	<ul style="list-style-type: none"> <li>• Increase the amount of detergent used or change Detergent → Page 31.</li> </ul>
	Washing programme selected too weak.	<ul style="list-style-type: none"> <li>• Select a more intensive washing programme.</li> <li>• Adjust the sensitivity of the sensors.</li> </ul>
Tea residue or lipstick marks on tableware.	Washing temperature is too low.	<ul style="list-style-type: none"> <li>• Select a programme with a higher washing temperature.</li> </ul>
	Too little detergent is being used or is unsuitable.	<ul style="list-style-type: none"> <li>• Use a suitable Detergent → Page 31 and follow the manufacturer's instructions for the amount to be used.</li> </ul>
	Tableware has been precleaned too intensely. The sensors chose a weaker programme. Stubborn soiling cannot be entirely removed.	<ul style="list-style-type: none"> <li>• Only remove large remnants of food and do not prerinse tableware.</li> </ul>
Coloured coatings (blue, yellow, brown) that are difficult or impossible to remove are present inside the	The formation of films is due to substances contained in vegetables (cabbage, celery, potatoes, noodles, etc.) or tap water (manganese).	<ul style="list-style-type: none"> <li>• Clean the appliance.</li> </ul> <p>You can remove deposits with Mechanical cleaning → Page 39 or a machine cleaning product. It may not always be possible to</p>

Fault	Cause	Troubleshooting
appliance or on stainless steel tableware.		completely remove deposits but they are harmless to health.
	The formation of films is due to metal components on silver or aluminium tableware.	<ul style="list-style-type: none"> <li>• Clean the appliance.</li> </ul> <p>You can remove deposits with Mechanical cleaning → Page 39 or a machine cleaning product. It may not always be possible to completely remove deposits but they are harmless to health.</p>
Coloured deposits (yellow, orange, brown) that are easy to remove are present inside the appliance (mainly at the bottom).	The formation of films is due to ingredients of food remnants and tap water (limescale) "soaplike".	<ol style="list-style-type: none"> <li>1. Check the setting of the water softening system. → "Setting water softening system", Page 27</li> <li>2. Add special salt. → "Adding special salt", Page 28</li> <li>3. If you are using combined detergents (tabs), activate the water softening system. Follow the information about detergents. → "Information on detergents", Page 32</li> </ol>
Plastic parts inside the appliance are discoloured.	Plastic parts inside the appliance may become discoloured during the life of the dishwasher.	<ul style="list-style-type: none"> <li>• Discolouration can come about and will not impair functioning of the appliance.</li> </ul>
Plastic parts are discoloured.	Washing temperature is too low.	<ul style="list-style-type: none"> <li>• Select a programme with a higher washing temperature.</li> </ul>
	Tableware has been precleaned too intensely. The sensors chose a weaker programme.	<ul style="list-style-type: none"> <li>• Only remove large remnants of food and do not prerinse tableware.</li> </ul>

Fault	Cause	Troubleshooting
	Stubborn soiling cannot be entirely removed.	
Removable streaks are present on glasses, glassware with a metallic appearance and cutlery.	Amount of rinse aid to be dispensed is set too high.	<ul style="list-style-type: none"> <li>• Set the rinse aid system to a lower setting.</li> </ul>
	No rinse aid has been added.	<ul style="list-style-type: none"> <li>• → "Adding rinse aid", Page 30</li> </ul>
	Detergent residue is present in the final rinse. Lid of the detergent dispenser is blocked by tableware items and will not open fully.	<ol style="list-style-type: none"> <li>1. Arrange tableware in the top basket tableware so the tab collecting tray is not obstructed by tableware. → "Arrange tableware", Page 34 Items of tableware are blocking the dispenser lid.</li> <li>2. Do not place tableware or fragrance dispensers in the tablet collecting tray.</li> </ol>
	Tableware has been precleaned too intensely. The sensors chose a weaker programme. Stubborn soiling cannot be entirely removed.	<ul style="list-style-type: none"> <li>• Only remove large remnants of food and do not prerinse tableware.</li> <li>• Adjust the sensitivity of the sensors.</li> </ul>
Irreversible clouding of glassware.	Glasses are not dishwasherproof, only suitable for dishwashers.	<ul style="list-style-type: none"> <li>• Use dishwasher-proof glasses.</li> <li>• Avoid a lengthy steam phase (standing time after wash cycle ends).</li> <li>• Use a programme with a lower temperature.</li> <li>• Set the softening system to the water hardness.</li> <li>• Use detergent with a glass protection component.</li> </ul>

Fault	Cause	Troubleshooting
Rust spots on cutlery.	Cutlery is not sufficiently rust-resistant. Knife blades are often more severely affected.	<ul style="list-style-type: none"> <li>• Use rust-resistant tableware.</li> </ul>
	Cutlery may also rust if washed together with rusting items.	<ul style="list-style-type: none"> <li>• Do not wash rusting items.</li> </ul>
	Salt content in washing water is too high.	<ol style="list-style-type: none"> <li>1. Remove any spilled special salt from the tub.</li> <li>2. Screw the cap of the special salt dispenser on tight.</li> </ol>
Detergent residue is present in the detergent dispenser or the tablet collecting tray.	Spray arms were blocked by tableware so detergent was not rinsed out.	<ul style="list-style-type: none"> <li>• Check that the spray arms are not blocked and can rotate freely.</li> </ul>
	Detergent dispenser was damp when detergent was added.	<ul style="list-style-type: none"> <li>• Only add detergent to a detergent dispenser when dry.</li> </ul>
Excessive formation of foam occurs.	Hand washing-up liquid is present in dispenser for rinse aid.	<ul style="list-style-type: none"> <li>• Immediately add rinse aid to the dispenser. → "Adding rinse aid", Page 30</li> </ul>
	Rinse aid has been spilled.	<ul style="list-style-type: none"> <li>• Remove the rinse aid with a cloth.</li> </ul>
	Detergent or appliance care product used causes excessive foaming.	<ul style="list-style-type: none"> <li>• Change the brand of detergent.</li> </ul>
<b>Change the brand of detergent.</b>		
Special salt refill indicator lights up.	Insufficient special salt.	<ul style="list-style-type: none"> <li>• Add Special salt → Page 28.</li> </ul>

Fault	Cause	Troubleshooting
	Sensor does not detect special salt tablets.	<ul style="list-style-type: none"> <li>• Do not use special salt tablets.</li> </ul>
Refill indicator for special salt does not light up.	Water softening system is switched off.	<ul style="list-style-type: none"> <li>• Setting water softening system → Page 27</li> </ul>
Refill indicator for rinse aid lights up.	Insufficient rinse aid.	<ol style="list-style-type: none"> <li>1. Add Rinse aid → Page 30.</li> <li>2. Set the amount of rinse aid to be dispensed. → "Setting the amount of rinse aid", Page 30.</li> </ol>
Refill indicator for rinse aid does not light up.	Rinse aid system is switched off.	<ul style="list-style-type: none"> <li>• → "Setting the amount of rinse aid", Page 30.</li> </ul>
Water is left in the appliance at the end of the programme.	Filter system or area under the filters is blocked.	<ol style="list-style-type: none"> <li>1. Clean the Filters → Page 40.</li> <li>2. Clean the Wastewater pump → Page 53.</li> </ol>
	Programme has not yet ended.	<ul style="list-style-type: none"> <li>• Wait until the programme ends or cancel the programme with reset.</li> <li>• → "Terminate programme", Page 37.</li> </ul>
Appliance cannot be switched on or operated.	Appliance functions have failed.	<ol style="list-style-type: none"> <li>1. Pull out the mains plug or switch off the fuse.</li> <li>2. Wait at least 2 minutes.</li> <li>3. Connect the appliance to the power supply.</li> <li>4. Switch the appliance on.</li> </ol>
Appliance does not start.	The mains fuse has tripped.	<ul style="list-style-type: none"> <li>• Check the relevant fuse.</li> </ul>

Fault	Cause	Troubleshooting
	Mains cable is not inserted.	<ol style="list-style-type: none"> <li>1. Check whether the socket works.</li> <li>2. Check whether the mains cable is properly inserted in the socket and on the rear of the appliance.</li> </ol>
	Appliance door is not closed properly.	<ul style="list-style-type: none"> <li>• Close the appliance door.</li> </ul>
Programme starts automatically.	You did not wait until programme.	<ul style="list-style-type: none"> <li>• → "Terminate programme", Page 37.</li> </ul>
Appliance stops during the programme or cuts out.	Appliance door is not closed properly.	<ul style="list-style-type: none"> <li>• Close the appliance door.</li> </ul>
	Power and/or water supply has been interrupted.	<ol style="list-style-type: none"> <li>1. Check the power supply.</li> <li>2. Check the water supply.</li> </ol>
	Top basket is pressing against inner door and preventing appliance door from being closed securely.	<ul style="list-style-type: none"> <li>• Check whether the rear panel of the appliance is being pressed in by a socket or hose holder that has not been removed.</li> <li>• Arrange the tableware so that no parts project beyond the basket and prevent the appliance door from closing properly.</li> </ul>
Appliance door cannot be closed.	Door lock has been activated.	<ul style="list-style-type: none"> <li>• Close the appliance door with greater force.</li> </ul>
	Door cannot be closed due to installation method.	<ul style="list-style-type: none"> <li>• Check whether the appliance has been installed properly.</li> </ul>

Fault	Cause	Troubleshooting
		<p>When closed, the appliance door, its decor or attached parts should not knock against adjacent cabinets or the worktop.</p>
<p>Lid on the detergent dispenser cannot be closed.</p>	<p>Detergent dispenser or lid are blocked by sticky detergent residue.</p>	<ul style="list-style-type: none"> <li>• Remove detergent residue.</li> </ul>
<p><b>Noise</b></p>		
<p>Filling valves making knocking noises.</p>	<p>Caused by the domestic installation. No appliance fault present. Does not affect functioning of the appliance.</p>	<ul style="list-style-type: none"> <li>• Can only be remedied in the domestic installation.</li> </ul>
<p>Knocking or rattling noise.</p>	<p>Spray arm is striking tableware.</p>	<ul style="list-style-type: none"> <li>• Arrange tableware so that the spray arms do not strike tableware.</li> </ul>
	<p>With a small load the water jets directly strike against the tub.</p>	<ul style="list-style-type: none"> <li>• Distribute the tableware evenly.</li> <li>• Load the appliance with more tableware.</li> </ul>
	<p>Light items of tableware move about during the wash cycle.</p>	<ul style="list-style-type: none"> <li>• Position light items of tableware securely.</li> </ul>

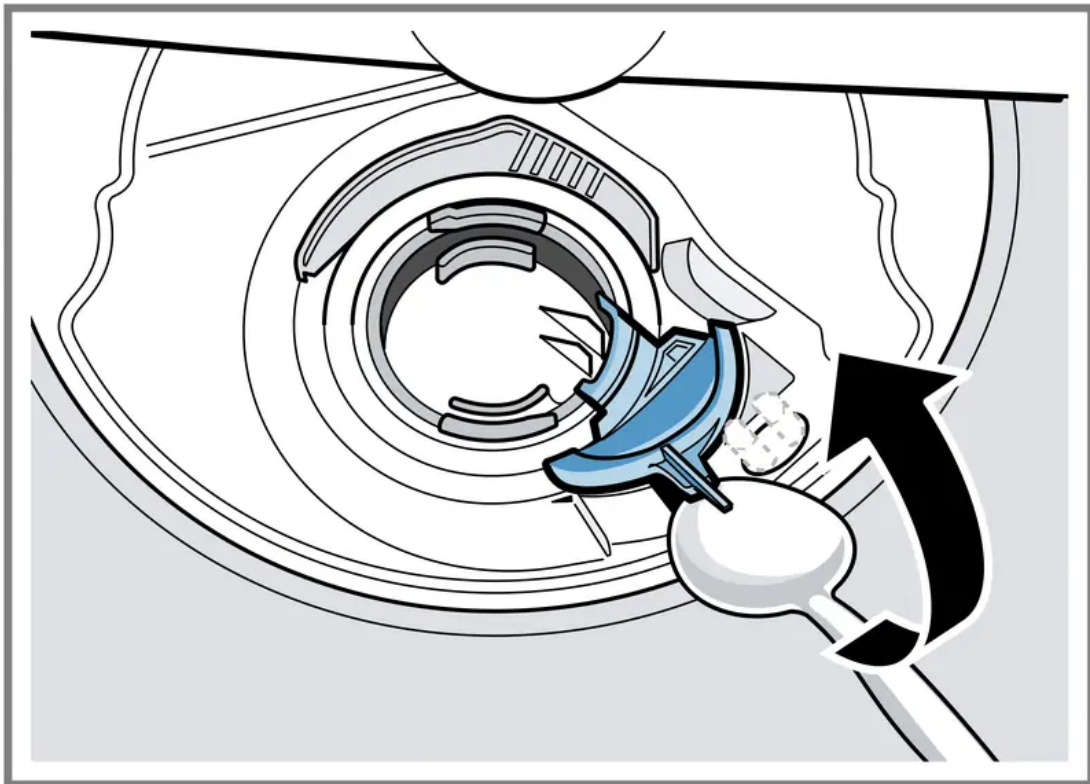
### Clean wastewater pump

Large remnants of food or foreign bodies can block the wastewater pump. As soon as the washing water no longer drains properly, the wastewater pump must be cleaned.



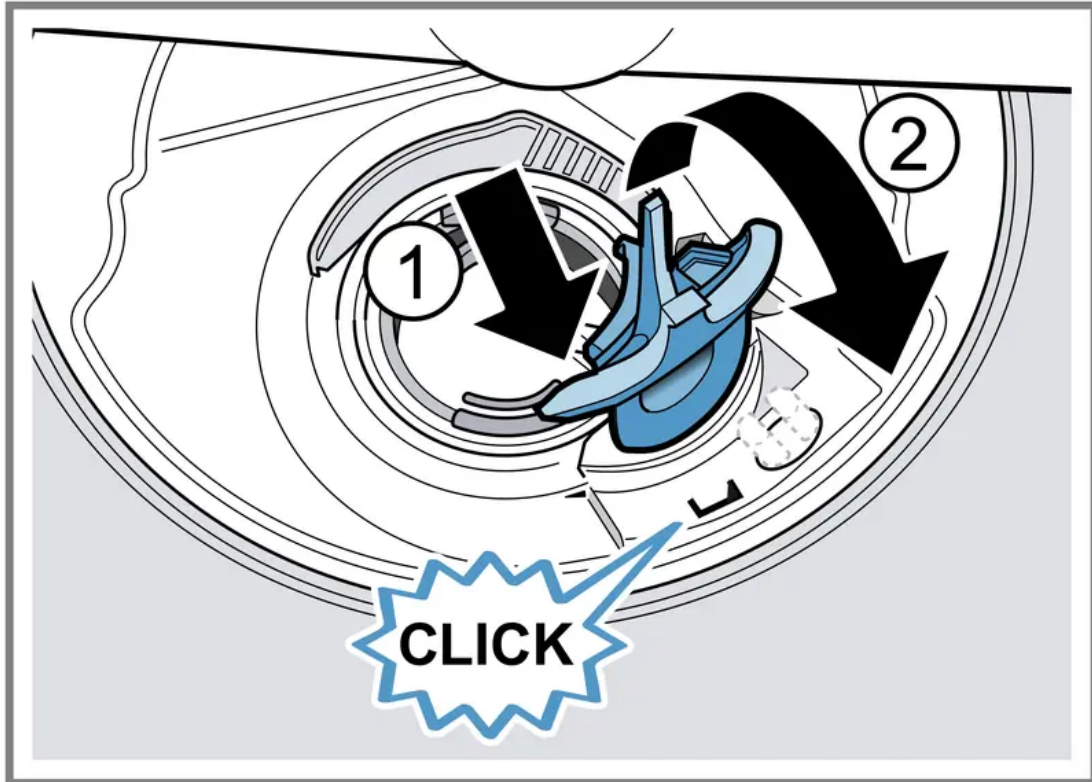
**WARNING - Risk of injury:** Sharp and pointed objects or fragments of glass may block the waste water pump and cause injury.

- Remove any foreign bodies carefully.
1. Disconnect the appliance from the power supply.
  2. Remove the top and bottom basket.
  3. Remove the filter system.
  4. Scoop out any water.  
Use a sponge if necessary.
  5. Prise off the pump cover using a spoon and grip it by the crosspiece.



6. Lift the pump cover inwards at an angle and remove.
7. Remove any remnants of food and foreign bodies in the area of the impeller.

8. Insert the pump cover **1** and press down **2**.



The pump cover clicks into position.

9. Install the filter system.

10. Insert the top and bottom basket.

## Transportation, storage and disposal

You can find out here how to prepare your appliance for transportation and storage. You will also find out how to dispose of old appliances.

### Removing the appliance

1. Disconnect the appliance from the power supply.
2. Turn off the water tap.
3. Detach the drainage connection.
4. Detach the drinking water connection.
5. Loosen any screws fastening the appliance to cabinet parts.
6. Remove the base panel if fitted.
7. Pull the appliance out carefully, along with the hose behind it.

## Protect appliance from frost

If there is a risk of frost where the appliance will be standing, e.g. in a holiday home, empty the appliance completely.

- Empty the appliance. → Page 54

## Transporting the appliance

To avoid damage to the appliance, empty it before transporting.

**Note:** Always transport the dishwasher upright to prevent residual water getting into the machine's controls and damaging the appliance.

1. Remove tableware from the appliance.
2. Secure loose parts.
3. Turn on the water tap.
4. Switch on appliance. → Page 35
5. Select the programme with the highest temperature.  
→ "Programmes", Page 19
6. Start the programme. → Page 36
7. To drain the appliance, terminate the programme after approx. 4 minutes.  
→ "Terminate programme", Page 37
8. Switch off the appliance. → Page 37
9. Turn off the water tap.
10. To empty the residual water out of the appliance, detach the supply hose and let the water drain out.

## Disposing of old appliance

Valuable raw materials can be reclaimed by recycling.

### **WARNING - Risk of harm to health**

Children can lock themselves in the appliance, thereby putting their lives at risk.

- With redundant appliances, unplug the power cord. Then cut through the cord and damage the lock on the appliance door beyond repair so that the appliance door will no longer close.

1. Unplug the appliance from the mains.
2. Cut through the power cord.
3. Dispose of the appliance in an environmentally friendly manner.

**Warning**

This content is compiled from multiple sources and is provided for reference purposes only. It may not be complete or fully applicable to all situations. If you are unable to resolve your issue, please contact the product manufacturer or an authorized service provider for official support.

---

Document generated by [ManualsFile](#)