

Safety Precautions

To prevent injury to the user or other people and property damage, the instructions shown here must be followed. Incorrect operation due to ignoring of instructions may cause harm or damage. The level of risk is shown by the following indications.

- Plug in power plug properly.
Otherwise, it may cause electric shock or fire due to excess heat generation.
- Do not modify power cord length or share the outlet with other appliances.
It may cause electric shock or fire due to overheat.
- Always ensure effective grounding.
Incorrect grounding may cause electric shock.
- Unplug the unit if strange sounds, smell, or smoke comes from it.
A damaged product may cause fire and electric shock.
- Keep firearms away.
- Ventilate room before operating the air conditioner if there is a gas leakage from another appliance.
- Do not operate or stop the unit by inserting or pulling out the power plug.
- Do not operate with wet hands or in very humid environments.
It may cause electric shock.
- Do not allow water to touch into electric parts.
It may cause failure or electric shock.
- Do not use the socket if it is loose or damaged.
It may cause fire and electric shock.
- Do not use or keep the power cord close to heating appliances.
It may cause fire and electric shock.
- Do not place the power cord close to heating appliances.
It may cause fire and electric shock
- Do not disassemble or modify unit.
It may cause failure and electric shock.
- Do not damage or use an unspecified power cord.
It may cause fire and electric shock.
If the power cord is damaged, it must be replaced by the manufacturer or an authorized service centre or a similarly qualified person in order to avoid a hazard
- Do not direct airflow straight into people to avoid possible health hazard.

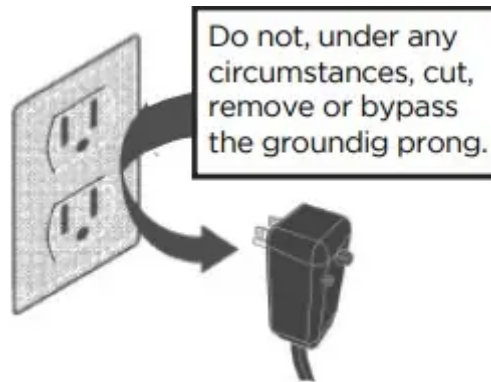
- Always install a circuit breaker and a dedicated power circuit. Incorrect installation may cause fire and electric shock.
- Do not open the unit during operation. It may cause electric shock.
- Do not use the power cord near flammable gas or combustibles, such as gasoline, benzene, thinner, etc. It may cause an explosion or fire.

CAUTION:

- When the air filter is to be removed, do not touch the metal parts of the unit. It may cause an injury.
- When the unit needs cleaning, switch off, and turn off the circuit breaker. Do not clean unit when power is on as it may cause fire and electric shock, it may cause an injury.
- Stop operation and close the window in storm or hurricane. Operation with windows open may cause water leak into the room.
- Do not place obstacles around air-inlets or inside of air-outlet. It may cause failure or accident.
- Do not use strong detergent such as wax or thinner but a soft cloth, or else risk damaging the product.
- Use caution when unpacking and installing. Sharp edges could cause injury. • Do not clean the air conditioner with water. Water may enter the unit and degrade the insulation. It may cause an electric shock.
- Do not put a pet or house plant where it will be exposed to direct air flow. This could injure the pet or plant.
- Hold the plug by the head of the power plug when taking it out. It may cause electric shock and damage.
- Ensure that the installation is properly secured under risk of the product falling.
- Do not place heavy object on the power cord and ensure that the cord is not compressed. There is danger of fire or electric shock.
- If water enters the unit, turn the unit off at the power outlet and switch off the circuit breaker. Isolate supply by taking the power-plug out and contact a qualified service technician.
- Ventilate the room well when used together with a stove, etc. An oxygen shortage may occur.
- Do not use for any other purpose than room comfort. Do not use this air conditioner to preserve precision devices, food, pets, plants, and art objects. It may cause deterioration. Turn off the main power switch when not using the unit for a long time.
- Always insert the filters securely. Clean filter once every two weeks. Operation without filters may cause failure.

- Do not drink water drained from air conditioner.

Grounding type wall receptacle



Power supply cord with 3-prong grounding plug and current detection device

Operation of Current Device

The power supply cord contains a current device that senses damage to the power cord. To test your power supply cord as follows:

1. Plug in the air conditioner.
2. The power supply cord will have TWO buttons on the plug head. Press the TEST button, you will notice a click as the RESET button pops out.
3. Press the RESET button, again you will notice a click as the button engages.
4. The power supply cord is now supplying electricity to the unit. (On some products this is also indicated by a light on the plug head.)

Note:

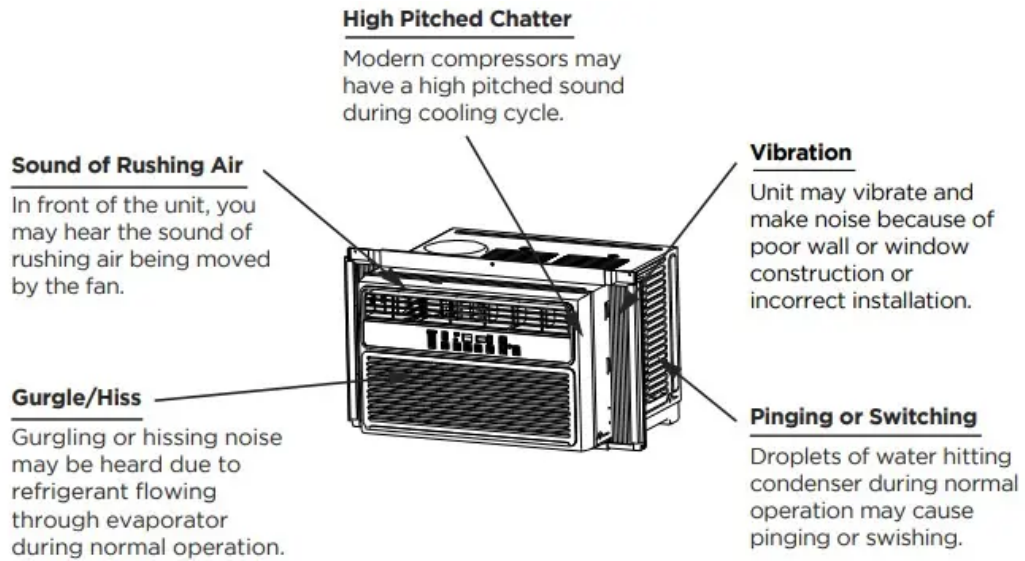
- Do not use this device to turn the unit on or off.
- Always make sure the RESET button is pushed in for correct operation.
- The power supply must be replaced if it fails reset when either the TEST button is pushed, or it can not be reset. Please contact Customer Service.
- If power supply cord is damaged, it can not be repaired. It MUST be replaced with a new cord - please contact Customer Service.

Unit Specifications

MODEL			MWA06CR71	MWA08CR71	MWA10CR71	MWA12CR71
Power supply		Ph-V-Hz	1Ph, 115V-, 60Hz	1Ph-115V-60Hz	1Ph-115V-60Hz	1Ph-115V-60Hz
Cooling	Capacity	Btu/h	6000	8000	10000	12000
	EER	Btu/w.h,w/w	12.2	12.0	12.0	12.0
	CEER	Btu/w.h,w/w	12.1	12.0	12.0	12.0
	Rated input	W	490	665	833	1000
	Rated current	A	4.5	5.9	7.5	8.7
	Standby power	W	0.9	0.9	1.0	1.0
Moisture removal		L/h	0.7	1	1.1	1.2
Max. current		A	6.5	8	9.79	11.7
Starting current		A	21.0	29	35	49
Refrigerant charge (R-410A)		g	380	380	540	640
Indoor air flow (Hi/Med/Lo)		CFM	147/122./101.7	224/207.5/185.2	285/257/232	300/270/244
Indoor noise level (Hi/Med/Lo)		dB(A)	56.4/54.1/51.9	58.4/55.8/53.7	59.5/58.5/57	60.5/59.3/57.7
Plug type			5-15P	5-15P	5-15P	5-15P
Control type			Remote Control	Remote Control	Remote Control	Remote Control
Operating temperature	Indoor (cooling/heating)	°C	17-32/---	17-32/---	17-32/---	17-32/---
		°F	62-90	62-90	62-90	62-90
	Outdoor (cooling/heating)	°C	18-43/---	18-43/---	18-43/---	18-43/---
		°F	64-109	64-109	64-109	64-109
Application area (Cooling EPA)		sq.ft	150-250	300-350	400-450	450-550
Dimension (W*D*H)		mm	471*400*340	471*444*340	482x545x372	482x545x372
		in	18.5*15.7*13.4	18.5*17.5*13.4	19x21.5x14.6	19x21.5x14.6
Packing (W*D*H)		mm	561*452*370	561*495*370	557x586x430	557x586x430
		in	22.09*17.8*14.6	22.09*19.49*14.6	21.9x23.1x16.9	21.9x23.1x16.9
Net/Gross weight		kg	20.5/23.6	22.2/25.3	27.7/31.2	32.2/35.7
		lb	45.1/52.0	48.8/55.7	61.1/68.8	71.0/78.7
Window Opening	Width (Min/Max)	in	23/36	23/36	23/36	23/36
	Height (Min/Max)	in	14	14	15.5	15.5

Operating Instructions

Normal Sounds



To quickly begin operating the air conditioner, follow these steps:

1. Set the thermostat to the lowest number (coldest setting).
2. Set the selector control to the highest COOL setting.
3. Adjust the louver for comfortable air flow (see Air Directional Louvers).
4. Once the room feels colder, adjust the thermostat to the setting you find most comfortable.
5. Make sure that the air flow inside and outside are not obstructed by anything.
6. This air conditioner is designed to be operated under conditions as follows:
 - Cooling Operation
 - Outdoor temp.: 18-43°C (64°F ~ 109°F)
 - Indoor temp.: 17-32°C (62°F ~ 90°F)

NOTES

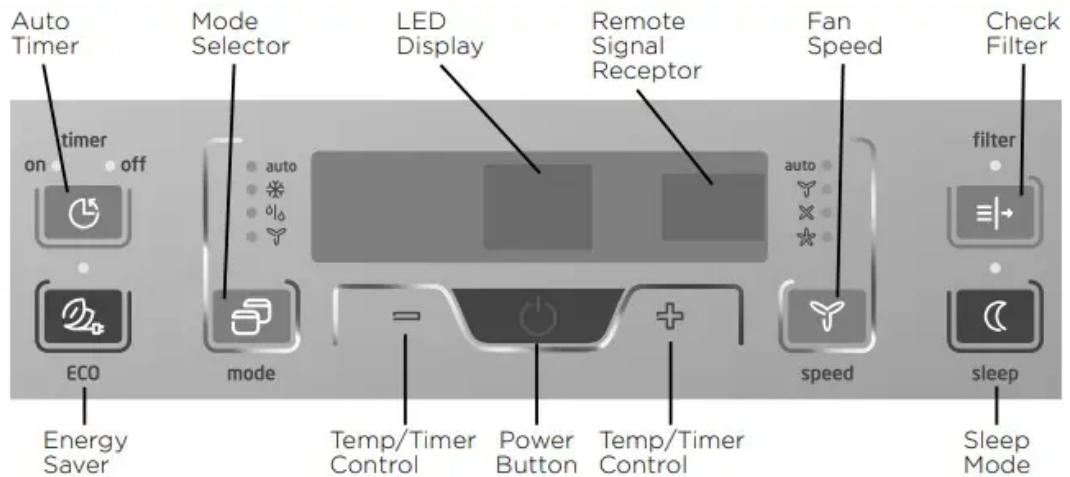
- The relative humidity of room should be less than 80%. If the unit is used in a condition with a relative humidity over 80%, there will be condensed water on the surface of the unit.
- Performance may be reduced outside of these operating temperatures.

Before you begin, thoroughly familiarize yourself with the control panel as shown below and all its functions, then follow the symbol for the functions you desire. The unit can be controlled by the unit control panel alone or with the remote controller.

Key Pad Features



(ON/OFF) Button The unit will initiate automatically the Energy saver function under Cool, Dry, Auto (only Auto-Cooling and Auto-Fan) modes.



(UP/DOWN) Button Press or hold either left (-) or right (+) button until the desired temperature is seen on the display. This temperature will be automatically maintained at the set temperature, between 62°F (17°C) and 86°F (30°C). If you want the display to read the actual room temperature, see “To Operate on Fan Only” section. **(MODE) Button**

- To choose operating mode, press Mode button. Each time you press the button, a mode is selected in a sequence that goes from Auto, Cool, Dry and Fan. The indicator light beside will be illuminated and remains on once the mode is selected.
- The unit will initiate automatically the Energy Saver function under Cool, Dry, Auto (only Auto-Cooling and AutoFan) modes.

Operating on AUTO mode:

- When you set the air conditioner in AUTO mode, it will automatically select cooling, heating (selected models only) or fan only operation depending on what temperature you have selected and the room temperature.
- The air conditioner will control room temperature automatically to hit the temperature set point you choose.
- In this mode, the fan speed cannot be adjusted, it starts automatically at a speed according to the room temperature.

Operating on FAN mode:

- Use this function only when cooling is not desired, such as for room air circulation or to exhaust stale air (on some models). (Remember to open the vent during this function, but keep it closed during cooling for maximum cooling efficiency.) You can choose any fan speed you prefer.
- During this function, the display will show the actual room temperature, not the set temperature as in the cooling mode.
- In Fan only mode, the temperature can not be adjusted.

Operating on DRY mode:

- In this mode, the air conditioner will operate in the form of a dehumidifier. Since the conditioned space is a closed or sealed area, some degree of cooling will continue.

(FAN SPEED) Button

Used to select the Fan Speed in four steps - Auto, Low, Med or High. Each time the button is pressed, the fan speed mode is shifted. On Dry mode, the fan speed is controlled at low automatically.

(ENERGY SAVER) Button

This function is available on COOL, DRY, AUTO (only AUTO-COOL and AUTO-FAN) modes. The fan will continue to run for 3 minutes after the compressor shuts off. The fan then cycles on for 2 minutes at 10 minute intervals until the room temperature is above the set temperature, at which time the compressor turns back on and Cooling Starts.

(SLEEP) Button

In this mode the selected temperature will increase by 2°F/1°C 30 minutes after the mode is selected. The temperature will then increase by another 2°F/1°C after an additional 30 minutes. This new temperature will be maintained for 6 hours before it returns to the originally selected temperature. This ends the Sleep mode and the unit will continue to operate as originally programmed. The

Sleep mode program can be cancelled at any time during operation by again pressing the Sleep button.

(TIMER) Button

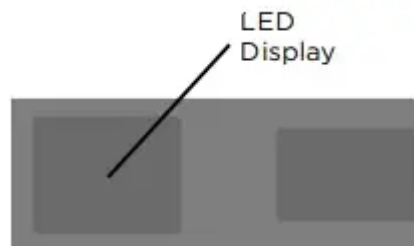
- When the unit is on or off, first press Timer button, the TIMER ON indicator light illuminates. It indicates the Auto Start program is initiated.
- When the time of TIMER ON is displayed, press the Timer button again, the TIMER OFF indicator light illuminates. It indicates the Auto Stop program is initiated.
- Press or hold either left (-) or right (+) button to change the Auto time by 0.5 hour increments, up to 10 hours, then at 1 hour increments up to 24 hours. The control will count down the time remaining until start.
- The selected time will register in 5 seconds, and the system will automatically revert back to display the previous temperature setting or room temperature when the unit is on. (when the unit is off, there is no display.)
- Turning the unit ON or OFF at any time or adjusting the timer setting to 0.0 will cancel the Auto Start/Stop timed program

(CHECK FILTER) Button

This feature is a reminder to clean the Air Filter for more efficient operation. The LED (light) will illuminate after 250 hours of operation. To reset after cleaning the filter, press the Check Filter button and the light will go off.

LED Display:

Shows the set temperature in “°C” or “°F” and the Autotimer settings. While on Fan only mode, it shows the room temperature.



Error codes:

- **AS:**
 - Room temperature sensor error - Unplug the unit and plug it back in. If error repeats, call for service. NOTE: In Fan only mode, it will display “LO” or “HI”.
- ●
 - Evaporator temperature sensor error - Unplug the unit and plug it back in. If error repeats, call for service. NOTE: “ ● ” is displayed as shown in the left picture.

- **HS** - Electric heating sensor error - Unplug the unit and plug it back in. If error repeats, call for service.

Additional Information

Now that you have mastered the operating procedure, here are more features in your control that you should become familiar with.

- The Cool circuit has an automatic 3 minute time delayed start if the unit is turned off and on quickly. This prevents overheating of the compressor and possible circuit breaker tripping.
- The fan will continue to run during this time.
- The control will maintain any set temperature within 1°F/1°C, between 62°F (17°C) and 86°F (30°C).
- The control can display temperature in Fahrenheit or Celsius.
- To convert from one to the other, press and hold the left (-) or right (+) Temp/Timer buttons at the same time, for 3 seconds.

Fresh Air Vent Control (for 10000 BTU/h and 12000 BTU/h)

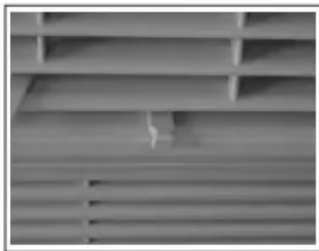


Fig. A (VENT CLOSED)



Fig. B (VENT OPEN)

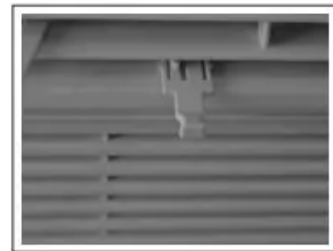
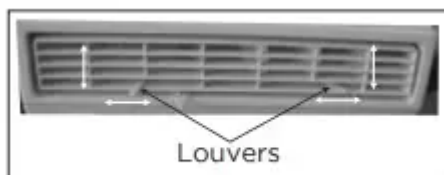


Fig. C (VENT & EXHAUST OPEN)

The Fresh Air Vent allows the air conditioner to:

1. Recirculate inside air – Vent Closed (See Fig. A)
2. Draw fresh air into the room - Vent Open (See Fig. B)
3. Exchange air from the room and draws fresh air into the room - Vent and Exhaust Open (See Fig. C).

Air Directional Louvers



Air direction

The louvers will allow you to direct the air flow up or down and left or right throughout the room as needed. Pivot horizontal louvers until the desired up/down direction is

obtained. Move the levers from side to side until the desired left/right direction is obtained.

Installation Instructions

Your air conditioner is designed to install in standard double hung windows with opening widths of 23 to 36 inches (584mm to 914mm) (See Fig. D).

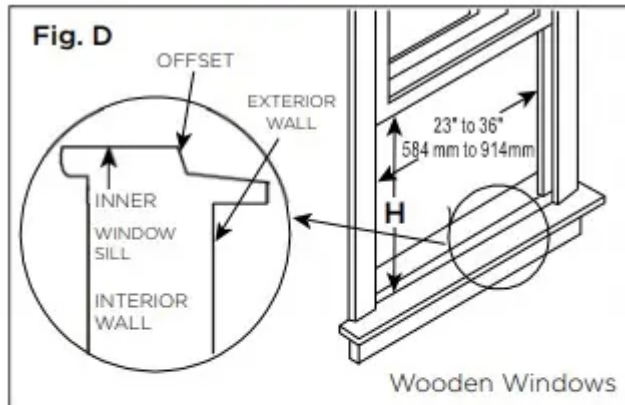


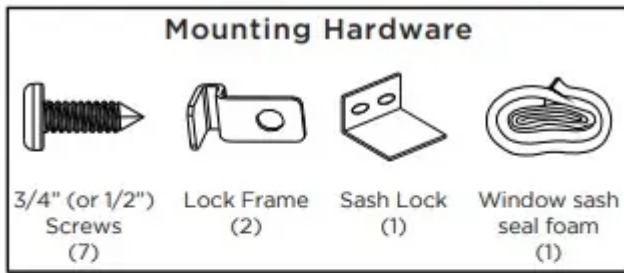
Table 1

Model	6000-8000 BTU/h	10000-12000 BTU/h
H	14" (356mm)	15-1/2" (394mm)

NOTE: Save Carton and these Installation Instructions for future reference. The carton is the best way to store unit during winter, or when not in use.

1. PREPARE THE WINDOW

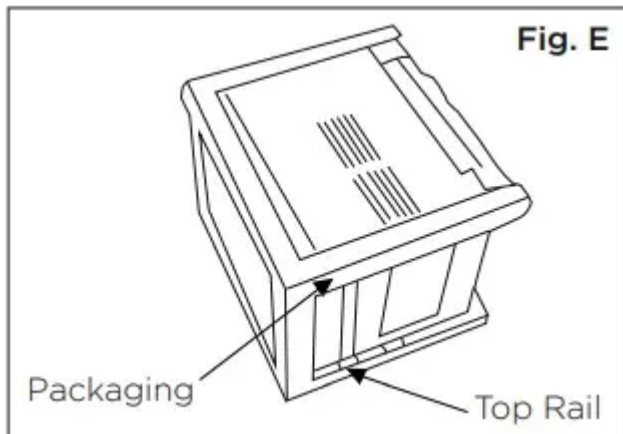
Lower sash must open sufficiently to allow a clear vertical opening (H) of following size (see Table 1). Side louvers and the rear of the AC must have clear air space to allow enough airflow through the condenser, for heat removal. The rear of the unit must be outdoors, not inside a building or garage.



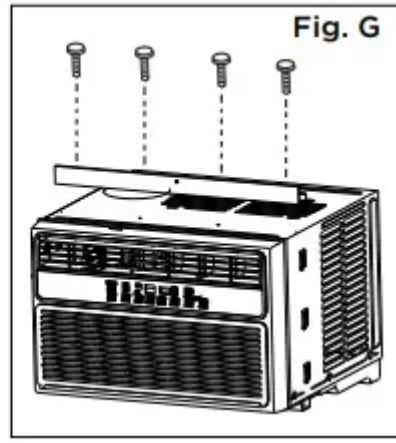
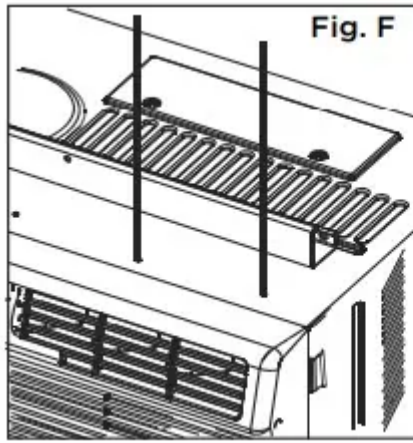
NOTE: The top rail hardware and the following Fig. E, Fig. F and Fig. G are not applicable to the units over 10,000 Btu/h.

2. PREPARE AIR CONDITIONER

Before installing unit, the top rail must be assembled on the unit for models with a capacity of less than 10,000Btu/h.



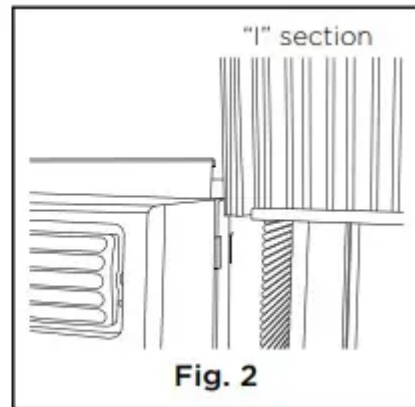
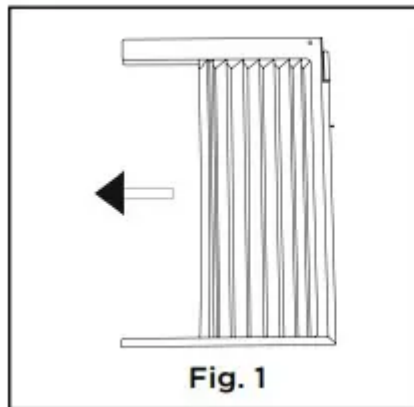
- A: Remove the air conditioner from the carton and place on a flat surface.
- B: Remove top rail from the bottom of the packaging material as shown in Fig. E.
- C: Align the hole in the top rail with those in the top of the unit as shown in Fig. F.
- D: Secure the top rail to the unit with the 3/8" screws as shown in Fig. G.



NOTE: For safety reasons, all four (4) screws MUST be securely fastened.

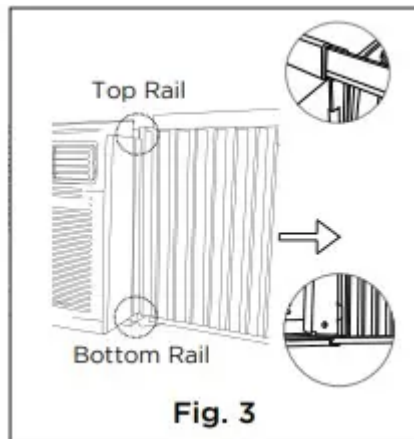
How To Install

1. Place unit on floor, a bench or a table. There is a left and right side filler panel; be sure to use the proper panel for each side. When installed, the flange for securing the panel in place to the window sill will be facing into the room.
 - A. Hold the side panel in one hand and gently pull back the center to free the open end. See Fig. 1.
 - B. Slide the free and "I" section of the panel directly into the cabinet as shown in Fig. 2A. Slide the panel down. Be sure to leave enough space to slip the top and bottom of the frame into the rails on the cabinet.



- C. Once the panel has been installed on the side of the cabinet, make sure it sits securely inside the frame channel by making slight adjustments. Slide the top and bottom ends of the frame into the top and bottom rails of the cabinet.

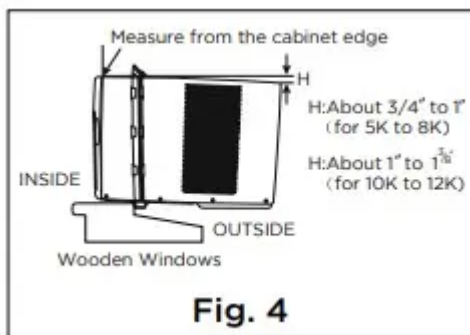
Fig. 3.



- D. Slide the panel all the way in and repeat on the other side.

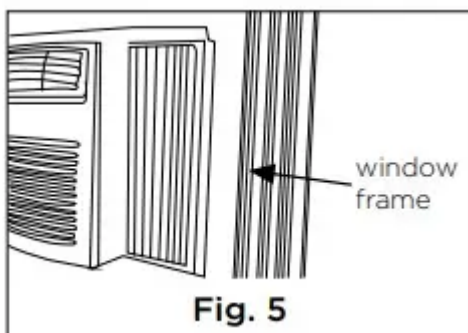
NOTE: If storm window blocks AC, see Fig. 10.

2. While keeping a firm grip on the air conditioner, carefully place the unit into the window opening so the bottom of the air conditioner frame is against the window sill (Fig. 4). Carefully close the window behind the top rail of the unit.

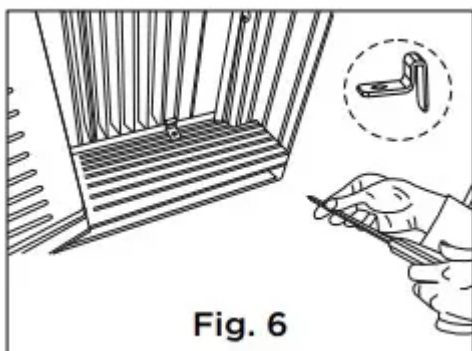


NOTE: Check that air conditioner is tilted back about H (Fig. 5) (tilted about 3° to 4° downward to the outside). After proper installation, condensate should not drain from the overflow drain hole during normal use, correct the slope otherside.

3. Extend the side panels out against the window frame (Fig. 5).

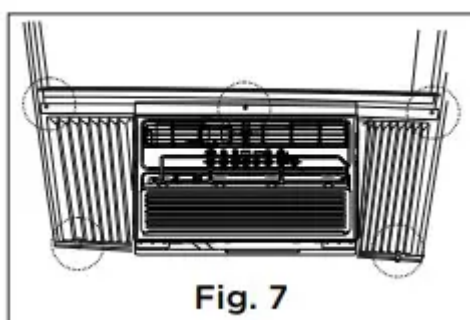


4. Place the frame lock between the frame extensions and the window sill as shown (Fig. 6). Drive 3/4" (19mm) or 1/2" (12.7mm) locking screws through the frame lock and into the sill.

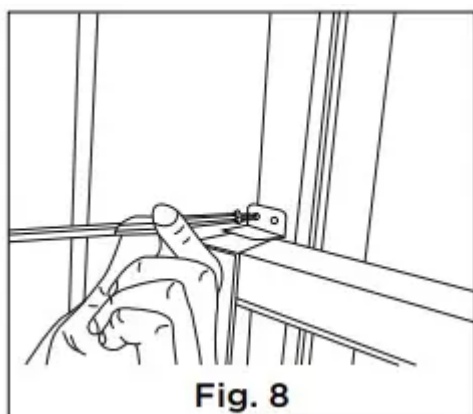


NOTE: To prevent window sill from splitting, drill 1/8" (3mm) pilot holes before driving screws.

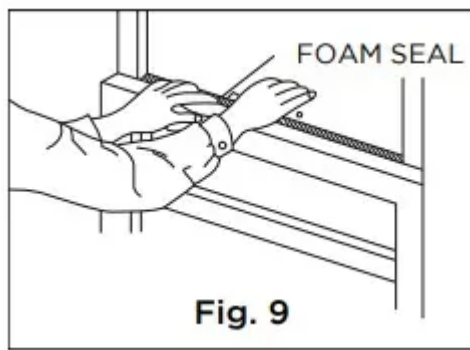
5. Drive 3/4" (19mm) or 1/2" (12.7mm) locking screws through frame holes into window sash (Fig. 7).



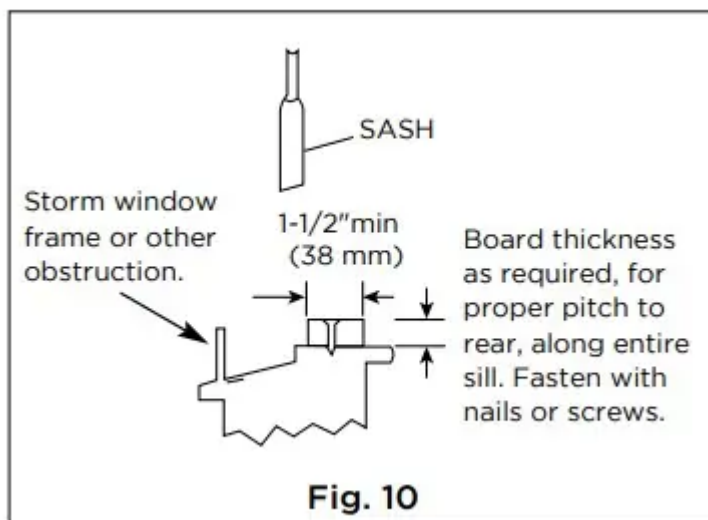
6. To secure lower sash in place, attach right angle sash lock with 3/4" (19mm) or 1/2" (12.7mm) screw as shown (Fig. 8).



- Cut window sash seal foam and insert it in the space between the upper and lower sashes (Fig. 9).



If AC is Blocked by Storm Window



Add wood as shown in Fig. 10, or remove storm window before air conditioner is installed. If storm window frame must remain, be sure the drain holes or slots are not caulked or painted shut. Accumulated rain water or condensation must be allowed to drain out.

Removing AC From Window

- Turn AC off, and disconnect power cord.
- Remove sash seal from between windows, and unscrew safety lock.
- Remove screws installed through frame and frame lock.
- Close (slide) side panels into frame.
- Keeping a firm grip on air conditioner, raise sash and carefully remove
- Be carefully not to spill any remaining water while lifting unit from window. Store parts WITH air conditioner.

Care and Cleaning

Air Filter Cleaning

Cabinet Cleaning Winter Storage The air filter should be checked at least once a month to see if cleaning is necessary. Trapped particles in the filter can build up and cause an accumulation of frost on the cooling coils.

- Push the vent handle to the closed position (where applicable).
- Open the front panel.
- Grasp the filter by the center and pull up and out.
- Wash the filter using liquid dishwashing detergent and warm water. Rinse filter thoroughly.
- Gently shake excess water from the filter. Be sure the filter is thoroughly dry before replacing.
- Or, instead of washing you may vacuum the filter clean.

NOTE: Never use hot water over 40°C (104°F) to clean the air filter. Never attempt to operate the unit without the air filter.

Cabinet Cleaning

- Be sure to unplug the air conditioner to prevent shock or fire hazard. The cabinet and front may be dusted with an oil-free cloth or washed with a cloth dampened in a solution of warm water and mild liquid dishwashing detergent. Rinse thoroughly and wipe dry.
- Never use harsh cleaners, wax or polish on the cabinet front.
- Be sure to wring excess water from the cloth before wiping around the controls. Excess water in or around the controls may cause damage to the air conditioner.
- Plug in air conditioner.

Winter Storage

If you plan to store the air conditioner during the winter, remove it carefully from the window according to the installation instructions. Cover it with plastic or return it to the original carton.

Troubleshooting Tips

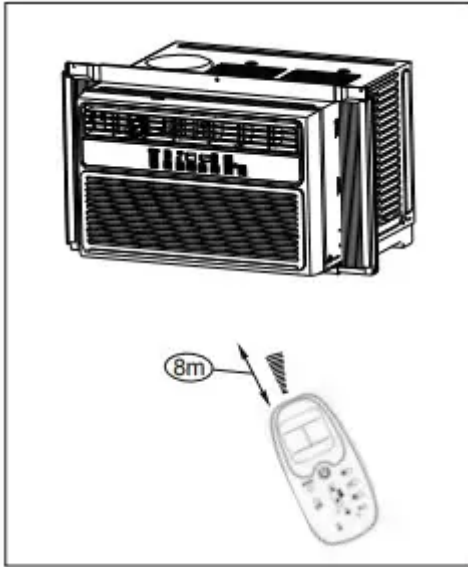
Before calling for service, review this list. It may save you time and expense. This list includes common occurrences that are not the result of defective workmanship or materials in this appliance.

- Air conditioner does not start
 - Wall plug disconnected. Push plug firmly into wall outlet.
 - House fuse blown or circuit breaker tripped. Replace fuse with time delay type or reset circuit breaker.
 - Plug current device tripped. Press the RESET button.
 - Control is OFF. Turn control ON and set to desired setting.
 - Unit turned off and then on quickly. Turn unit off and wait 3 minutes before restarting
- Air from unit does not feel cold enough
 - Room temperature below 17°C (62°F). Cooling may not occur until room temperature rises above 17°C (62°F).
 - Temperature sensing element touching cold coil, located behind air filter. Straighten tube away from coil.
 - Reset to a lower temperature.
 - Compressor shut-off by changing modes. Wait approximately 3 minutes and listen for compressor to restart when set in the COOL mode.
- Air conditioner cooling, but room is too warm- ice forming on cooling coil behind decorative front.
 - Outdoor temperature below 18°C (64°F). To defrost the coil, set FAN ONLY mode.
 - Air filter may be dirty. Clean filter. Refer to Care and Cleaning section. To defrost, set to FAN ONLY mode.
 - Thermostat set too cold for night-time cooling. To defrost the coil, set to FAN ONLY mode. Then, set temperature to a higher setting.
- Air conditioner cooling, but room is too warm- NO ice forming on cooling coil behind decorative front
 - Air filter may be dirty. Clean filter. Refer to Care and Cleaning section. To defrost, set to FAN ONLY mode.
 - Temperature is set too High, set temperature to a lower setting.
 - Air directional louvers positioned improperly. Position louvers for better air distribution.

- Front of units is blocked by drapes, blinds, furniture, etc. - restricts air distribution. Clear blockage in front of unit.
- Doors, windows, registers, etc. Open- cold air escapes. Close doors, windows, registers.
- Unit recently turned on in hot room. Allow additional time to remove “stored heat” from walls, ceiling, floor and furniture.
- Air conditioner turns on and off rapidly
 - Dirty air filter- air restricted. Clean air filter.
 - Outside temperature extremely hot. Set FAN speed to a higher setting to bring air past cooling coils more frequently.
- Noise when unit is cooling
 - Air movement sound. This is normal . If too loud, set to a slower FAN setting.
 - Window vibration - poor installation. Refer to installation instructions or check with installer.
- Water dripping INSIDE when unit is cooling
 - Improper installation. Tilt air conditioner slightly to the outside to allow water drainage. Refer to installation instructions - check with installer.
- Water dripping OUTSIDE when unit is cooling
 - Unit removing large quantity of moisture from humid room. This is normal during excessively humid days.
- Remote sensing deactivating prematurely (some models)
 - Remote control not located within range. Place remote control within 20 feet & 180°, radius of the front of the unit.
 - Remote control signal obstructed. Remove obstruction.
- Room too cold
 - Set temperature too low. Increase set temperature.

Remote Control Operating Instructions

Using The Remote Control

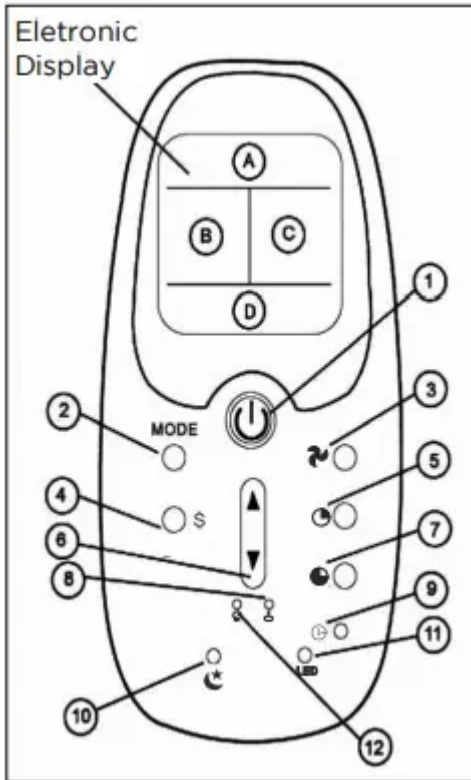


Location of the remote controller Use the remote controller within a distance of 8 meters / 26 feet from the appliance, pointing it towards the receiver. Reception is confirmed by a beep.

CAUTION

- The air conditioner will not operate if curtains, doors or other materials block the signals from the remote controller to the indoor unit.
- Prevent any liquid from falling into the remote controller. Do not expose the remote controller to direct sunlight or heat.
- If the infrared signal receiver on the indoor unit is exposed to direct sunlight, the air conditioner may not function properly. Use curtains to prevent the sunlight from falling on the receiver.
- If other electrical appliances react to the remote controller, either move these appliances or call customer support.

Electronic display displays the following information:



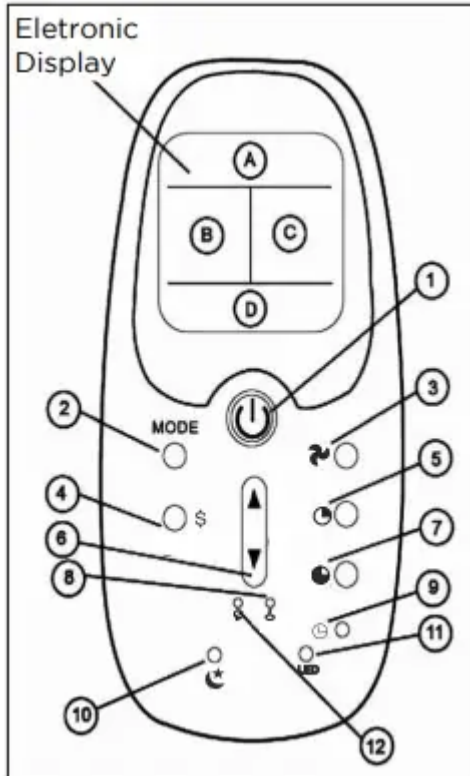
- A: Remote control power On/OFF and mode icons
- B: Clock and Auto-Timer settings
- C: Current set temperature
- D: Fan speed setting control buttons

- 1. Power switch

NOTE: The unit will automatically launch the Energy Saver function when it is in Cool, Dry and Auto modes.

- 2. Mode
- 3. Fan speed
- 4. Energy Saver - default setting which allows the fan to cycle on and off (instead of running continuously) when the compressor is not in use

- 5. Auto-Timer



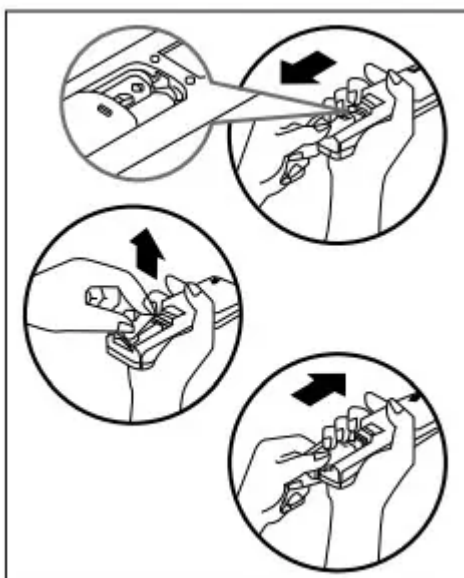
- 6. Used to increase or decrease temperature settings in 1° increments on the Celsius or Fahrenheit scale.
- 7. Cancels current Timer ON/OFF settings.
- 8. Lock prevents the remote control settings from inadvertently being changed.
- 9. Clock: Press button for 3 seconds in order to set the clock. Press the up or down arrow to adjust the time in 10 minute intervals.
- 10. Used to activate the SLEEP program.
- 11. Toggle the LED backlight on/off.
- 12. Restore remote control default settings.

NOTE: The clock feature is only available on the remote, the unit does not have a clock. The remote clock is a 24 hour clock only

Changing The Batteries On The Remote

To operate the hand-held remote control will require two “AAA” alkaline batteries (included). Batteries should be replaced when:

- a) No signal (beep) is heard when attempting to program the main unit.
- b) The main unit does not respond to a command issue by the remote control.



Battery replacement:

- Slide the rear cover on the remote in the directions of the arrow. Continue pulling (gently) until the cover separates completely from the unit.
- Insert (2) batteries (AAA) following the same orientation (polarity) depicted inside the battery chamber (+/-).
- Re-install the rear cover.
- If the remote control will not be used for extended periods of time (vacations, etc.), batteries should be removed.
- Protect the remote control from high temperatures, and keep away from radiation exposure.
- Keep the control panel receiver out of direct sunlight.
- Do not mix old and new batteries.
- Do not mix alkaline, standard (carbon-zinc), or rechargeable (Ni-cad, Ni-Mh, etc.) batteries.
- The remote operates within a range of 8 meters (26 ft.) from the receiver located inside the main unit. Any obstruction between the receiver and the remote may cause signal interference, limiting the ability to program the main unit.

NOTE:

This equipment has been tested and found to comply with the limits for Class B digital device, pursuant to Part 15 of the FCC Rules. These limits are designed to provide reasonable protection against harmful interference in a residential installation. This equipment generates, uses and can radiate radio frequency energy and, if not installed and used in accordance with the instructions, may cause harmful interference to radio communications. However, there is no guarantee that interference will not occur in a particular installation. If this equipment does cause harmful interference to radio or television reception, which can be determined by turning the equipment off

and on, the user is encouraged to try to correct the interference by one or more of the following measures:

1. Reorient or relocate the receiving antenna.
 2. Increase the separation between the equipment and receiver.
 3. Connect the equipment into an outlet on a circuit different from that to which the receiver is connected.
 4. Consult the dealer or an experience radio/TV technician for help.
- Changes or modifications not approved by the party responsible for FCC compliance could void the user's authority to operate the equipment.

This appliance complies with Part 15 of the FCC Rules. Operation is subject to the following two conditions:

1. This device may not cause harmful interference.
2. This device must accept any interference received, including interference that may cause undesired operation.

Warning

This content is compiled from multiple sources and is provided for reference purposes only. It may not be complete or fully applicable to all situations. If you are unable to resolve your issue, please contact the product manufacturer or an authorized service provider for official support.