

USING THE DRYER

WARNING: To reduce the risk of fire, electric shock, or injury to persons, read the IMPORTANT SAFETY WARNING INFORMATION before operating this appliance.

WARNING - Fire Hazard

- Keep flammable materials and vapors, such as gasoline, away from dryer.
- DO NOT dry anything that has ever had anything flammable on it (even after washing).
- No washer can completely remove oil.
- DO NOT dry anything that has ever had any type of oil on it (including cooking oils).
- Items containing foam, rubber, or plastic must be dried on a clothesline.
- Failure to do so can result in death, explosion, or fire.

Throughout this manual, features and appearance will vary from your model.

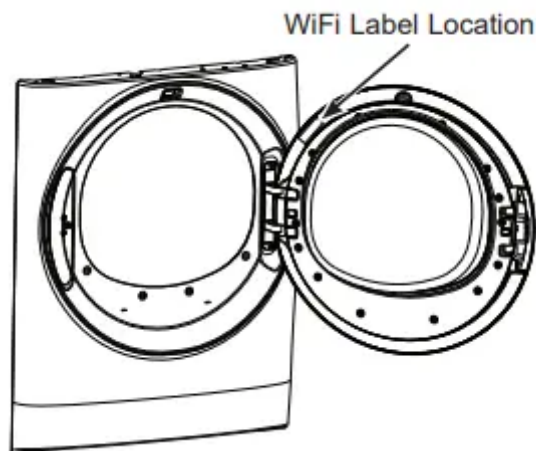
WiFi Connect (For customers in the United States only - on some models)

Your dryer is GE Appliances WiFi Connect enabled.

Visit geappliances.com/connect and enter your model number to show you the proper steps to connect your appliance.

Please visit GEAppliances.com/connect to learn more about connected appliance features, to learn what connected appliance app's will work with your smartphone.

WiFi Connectivity: For assistance with the appliance or the ConnectPlus network connectivity, please call GE Appliances at 800.GE.CARES.



Quick Start:

Step 1



- Clean lint filter
- Loosely add items.
- Close door.

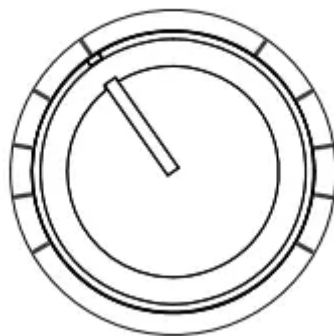
NOTE: Dryer will not start with door open.

Step 2



- If the screen is dark, press the Power pad to “wake up” the display

Step 3



- Select a sensor dry cycle. (Defaults are set for each dry cycle. These default settings can be changed. See the cycle descriptions for more information.)

OR

- Select TIMED DRY and set Time, Temp and Level.

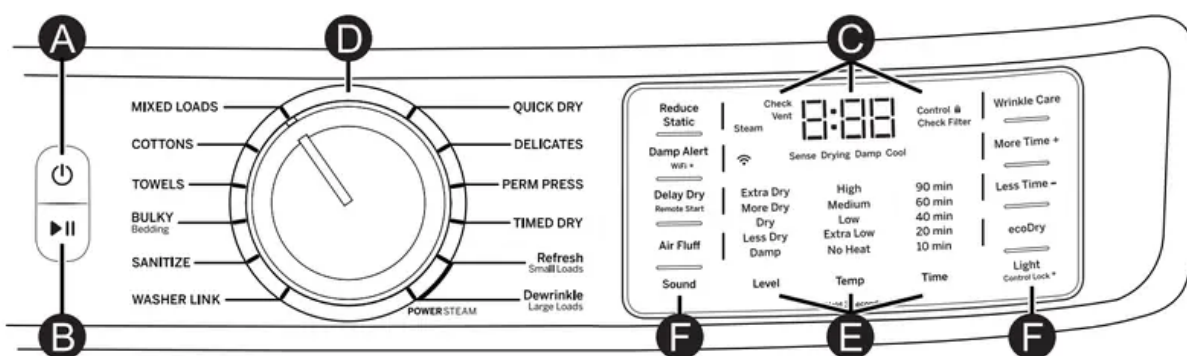
Step 4



- Press the Start/ Pause pad.

Getting started

Features and appearance will vary



A Power

Press to “wake up” the display. If the display is active, press to put the dryer into idle mode.

NOTE: Pressing Power does not disconnect the appliance from the power supply.



B Start and Pause

Press Start to begin the cycle. **NOTE:** The door must be closed for the dryer to start the cycle.

Pressing Start again will pause the cycle, the Start light will blink and “Pause” will display. To continue the cycle, press Start again.

C Display and Status Lights

The display shows the approximate time remaining until the end of the cycle and the dryer cycle status (Sense, Drying, Damp and Cool). In addition, the display will show:

| | |
|--|--|
|  (WiFi) | <p>Will allow your appliance to communicate with your smartphone for remote appliance monitoring control and notifications.</p> |
| Controls  | <p>The dryer is locked - will blink once if you press any pad or turn the cycle knob.</p> |
| Check Filter | <p>The Check Filter light will stay on for 15 seconds after the cycle stops.</p> |
| Check Vent | <p>The Check Vent light indicates an issue has been found due to reduced airflow from a possible blocked or restricted vent. Checking and/or cleaning the vent system is recommended. See the, "Check Vent" light is on in the Troubleshooting Tips section.</p> |

D Drying Cycles

Sensor cycles automatically determine fabric dryness.

Timed cycles run for the selected time.

| | |
|---|--|
| MIXED LOADS | For loads consisting of cottons and poly-blends. |
| COTTONS | For cottons and most linens. NOTE: ENERGY STAR® models are tested on COTTONS cycle with default settings (Temp setting on Low, Level setting on Dry, and ecoDry default on). |
| TOWELS | For most towels and linens |
| BULKY | For large coats, bed spreads, mattress covers, sleeping bags, and similar large/bulky items such as blankets, comforters, jackets, and small rugs. |
| SANITIZE | This option reduces certain types of bacteria including: Staphylococcus aureus, Pseudomonas aeruginosa and Klebsiella pneumoniae. The anti-bacterial process occurs when high heat is used during a portion of the drying cycle; cool down also will be longer to protect you from a hot garment. NOTE: Do not use this cycle on delicate fabrics. |
| WASHER LINK (on some models) | When selected (and if connected to a compatible washer through WiFi communication) the dryer receives load information from the washer to automatically make cycle, dryness, temperature and time recommendations to optimize drying. |
| ACTIVE WEAR | Clothing worn for active sports exercise and some casual wear. Fabrics include new technology finishes and stretch fibers such as Spandex. Also for clothing labeled Easy Care or Perma Press: For wrinkle-free and permanent press items. |
| QUICK DRY | For small loads that are needed in a hurry, such as sport or school uniforms. Can also be used if the previous cycle left some items damp, such as collars or waistbands. NOTE: On some models, the time remaining in the cycle will show counting down in the display |
| DELICATES | For delicate items, special-care fabrics and knits. |
| PERM PRESS | For wrinkle-free, permanent press and special sports items that need extra drying care. |
| DEWRINKLE | For removing wrinkles from items that are dry or slightly damp. This cycle is not recommended for delicate fabrics. |
| STEAM Dewrinkle (on some models) | For use with larger loads than STEAM Refresh. Ideal for loads left in the dryer for an extended time. STEAM Dewrinkle is recommended for larger loads (9-13 garments). NOTE: Steam cycles are not intended for use with towels. Important - the |

| | |
|---------------------------------------|---|
| | temperature setting must be set to High and water must be turned on before running the STEAM Dewrinkle cycle. |
| STEAM Refresh (on some models) | <p>For slightly wrinkled dry garments. Significantly reduces wrinkles. After the STEAM Refresh cycle, the unit will beep (if Sound is selected) and display "00." STEAM Refresh is recommended for small loads (3-5 garments).</p> <p>NOTE: Steam cycles are not intended for use with towels.</p> <p>NOTE: A single extremely light fabric item may need to have an additional item included in the STEAM Refresh cycle to achieve optimum results.</p> <p>Important - the temperature setting must be set to High and water must be turned on before running the STEAM Refresh cycle</p> |
| TIMED DRY | <p>Use to set your own dry time. To use:</p> <ol style="list-style-type: none"> 1. Turn cycle dial to TIMED DRY. 2. Increase the drying time by pressing the Time pad. NOTE: This pad only increases the time. When max time is reached, pressing the pad again will reset the counter to the lowest setting. 3. Select the Temp. 4. Close the door. 5. Press Start/Pause pad. |

E Settings

Individual settings for cycle minutes (Time), dryness level (Level) and temperature (Temp) can be set from the minimum (lowest in column) to maximum (highest in column). In general, the higher up the column, the more energy will be used. **NOTE:** The selected cycle set Time can be further adjusted, in one minute increments, by pressing the More Time + and Less Time - pads

Dryness Level - Selection only used for Sensor cycles. Timed cycles run for the selected time

| | |
|------------------|---|
| Extra Dry | Use for heavy-duty fabrics or items that should be very dry, such as towels. |
| More Dry | Use for heavy-duty or mixed type fabrics. |
| Dry | Use for a normal dryness level suitable for most loads. This is the preferred cycle for energy savings. |
| Less Dry | Use for lighter fabrics. |
| Damp | For leaving items partially damp. |

Temperature

| | |
|------------------|---|
| High | For regular to heavy cottons. NOTE: STEAM Dewrinkle and STEAM Refresh require the High temperature setting. |
| Medium | For synthetics, blends, delicates and items labeled permanent press. |
| Low | For delicates, synthetics and items labeled tumble dry low. |
| Extra Low | For lingerie and special-care fabrics. |
| No Heat | For fluffing items without heat. For use only with the AIR FLUFF cycle. |

F OPTIONS

Reduce Static (on some models)

When selected, the dryer will spray a mist of water onto the load, at the end of the drying cycle, to reduce static. This option is not available with BULKY, SANITIZE or STEAM cycles.

Damp Alert (Damp Alert/WiFi pad)

This option causes the dryer to beep when clothes have dried to a damp level. Remove items that you wish to hang dry. The Damp Alert will only beep when this option is selected (but the dry cycle will keep running). Removing clothes and hanging them when they are damp, can reduce the need to iron some items.

Delay Dry

Press the Delay Dry pad to set the delay start time in 1 hour increments up to 24 hours, and then back to clear (0 hours). After selecting the delay start time, press Start and the delay time will count down the time remaining until the cycle starts. **NOTE:** To set the amount of delay time faster, you can press and hold the Delay Dry pad.

Delay Dry for WiFi Connected Dryers

You have two options to set Delay Dry using your smartphone.

Option 1: Follow Delay Dry instructions. You can use the GE Appliances Laundry App to adjust the amount of time via your smartphone.

Option 2 - Remote Start: Set your dryer to "AP" using the Delay Dry pad. This allows you to use the GE Appliances Laundry App via your smartphone to start your dryer remotely at the time of your choosing. If the dryer is set to AP with no activity, it will start the dryer 24 hours later

Air Fluff (on some models)

Provides 10 minutes of tumbling time with no heat. **NOTE:** On models without AIR FLUFF cycle, select TIMED DRY and set Temp to No Heat.

Sound

Use the Sound pad to change the volume of the pad presses and the end of cycle signal. Press the pad until you reach the desired volume or off. The clothes should be removed when the end of cycle signal goes off so wrinkles do not set in.

NOTE:

- Remove garments promptly at the sound of signal. Place clothes on hangers so wrinkles will not set in.
- Use the Sound especially when drying fabrics like polyester, knits and permanent press. These fabrics should be removed so wrinkles will not set in.

Wrinkle Care

Use this option to minimize the wrinkles in clothes. It provides 1 hour of no-heat tumbling after the clothes are dry. If you are using the cycle Sound and you select the Wrinkle Care option, a signal will sound at the end of the drying time and several times during the Wrinkle Care cycle. This will remind you that it is time to remove the clothes.

More Time + / Less Time -

The selected cycle set Time can be further adjusted, in one minute increments, by pressing the More Time + and Less Time - pads.

ecoDry

Available for BULKY, TOWELS, COTTONS, MIXED LOADS, ACTIVE WEAR and DELICATES. When the ecoDry pad is pressed, cycle settings change to reduce the total energy consumption of the selected sensor cycle. NOTE: Cycle times will change when ecoDry is selected. The ecoDry option will default to on for COTTONS. For optimal energy savings, turn ecoDry on. For optimal drying times, turn ecoDry off. NOTE: Energy savings will vary across loads and cycles.

Light

The drum light will turn on if the Light pad is pressed or the door is opened. It will turn off when the door is shut, the Light pad is pressed again or after 5 minutes if the door is left open.

Small Load (on some models)

Select to use for a small load with any sensor cycle (except SANITIZE).

My Settings

As the cycle selector knob is turned, the Time (timed dry), Level (dryness level) and Temp (temperature) settings change to automatic pre-set default settings. If you desire a different setting, press the appropriate pad(s). Then press and hold the My Settings pad for 3 seconds and the dryer will “remember” these settings for that Knob Selection. In the future, when you turn the selector knob to that cycle, your settings will be automatically recalled. NOTE: Signal sound cannot be set for My Settings.





Control Lock

You can lock the controls to prevent any selections from being made. Or you can lock the controls after you have started a cycle. Children cannot accidentally start the dryer by touching pads with this option selected.

To lock/unlock the dryer controls, press and hold the Light pad for 3 seconds. The control lock icon will flash while locking/unlocking, stay on when locked, and turn off when unlocked.

NOTE: The Power pad can still be used when the machine is locked.

WiFi (Damp Alert/WiFi pad)

Press and hold the Damp Alert/WiFi pad for 3 seconds to activate.

Loading

Always follow fabric manufacturer's care label when laundering.

Sorting and Loading Hints

WARNING - Fire Hazard

- Keep flammable materials and vapors, such as gasoline, away from dryer.
- DO NOT dry anything that has ever had anything flammable on it (even after washing).
- No washer can completely remove oil.
- DO NOT dry anything that has ever had any type of oil on it (including cooking oils).
- Items containing foam, rubber, or plastic must be dried on a clothesline.
- Failure to do so can result in death, explosion, or fire.

As a general rule, if clothes are sorted properly for the washer, they are sorted properly for the dryer. Try also to sort items according to size. For example, do not dry a sheet with socks or other small items.

Do not add fabric softener sheets once the load has become warm. They may cause fabric softener stains. Bounce® Fabric Conditioner Dryer Sheets have been approved for use in this dryer when used in accordance with the manufacturer's instructions.

Do not overload. This wastes energy and causes wrinkling.

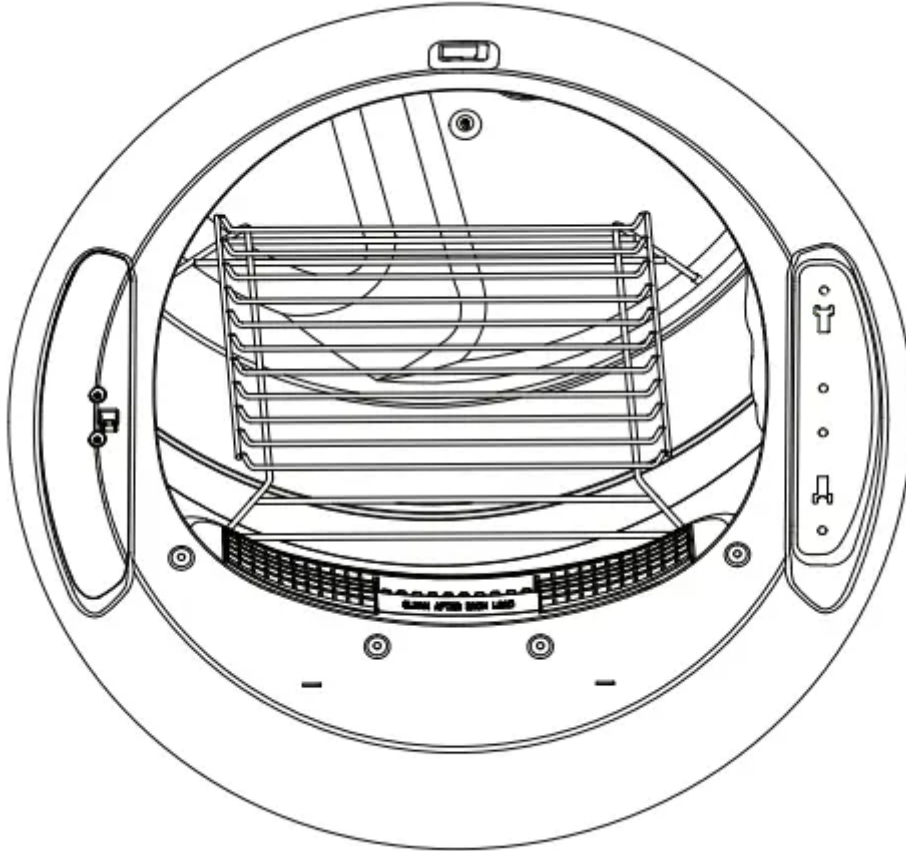
Drying Rack (on some models)

A handy drying rack may be used for drying delicate items such as washable sweaters.

To install the drying rack, place the rack all the way into the dryer drum and fit its feet down and securely into place in the dryer.

NOTES:

- The drying rack must be used with the TIMED DRY cycle. Use with sensor cycles may result in damp items or extended cycle times.
- Do not use this drying rack when there are other clothes in the dryer.



Care and cleaning

Interior and Duct

The interior of the appliance and exhaust duct should be cleaned once a year by qualified service personnel.

The Exhaust Duct: Inspect and clean the exhaust ducting at least once a year to prevent clogging. A partially clogged exhaust can lengthen the drying time.

Follow these steps:

1. Turn off electrical supply by disconnecting the plug from the wall socket.
2. Disconnect the duct from the dryer.
3. Vacuum the duct with the hose attachment and reconnect the duct.

The Exhaust Hood: Check with a mirror that the inside flaps of the hood move freely when operating. Make sure that there is no wildlife (birds, insects, etc.) nesting inside the duct or hood.

Exterior

Wipe or dust any spills or washing compounds with a damp cloth. Dryer control panel and finishes may be damaged by some laundry pretreatment soil and stain remover products. Apply these products away from the dryer. The fabric may then be washed and dried normally. Damage to your dryer caused by these products is not covered by your warranty.

Lint Filter

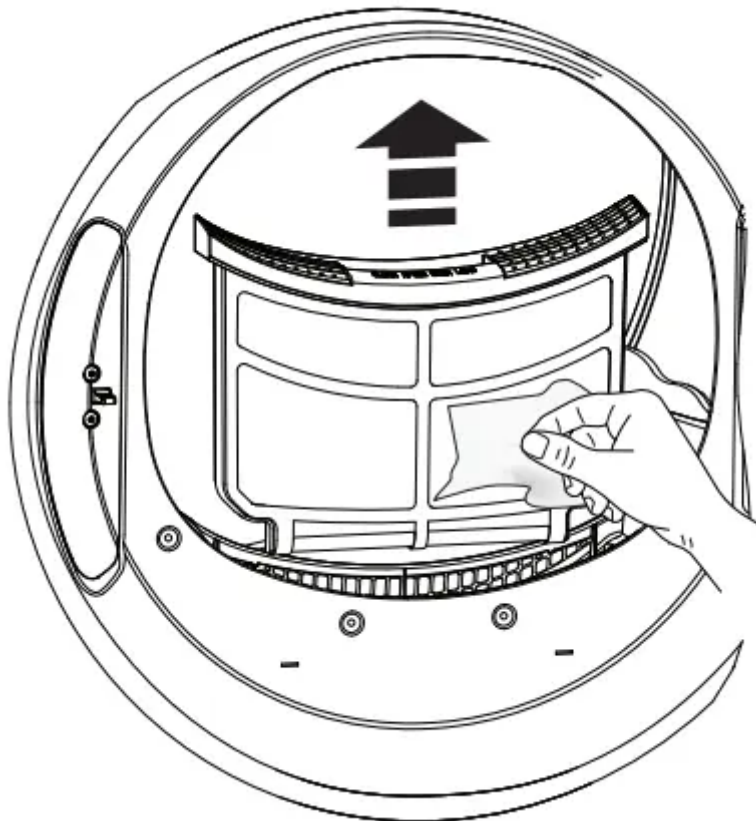
Clean the lint filter before each use.

Remove by pulling straight up. Run your fingers across the filter. A waxy buildup may form on the lint filter from using dryer added fabric softener sheets.

To remove this buildup, wash the lint screen in warm, soapy water. Dry thoroughly and replace.

Vacuum the lint from the dryer lint filter area if you notice a change in dryer performance.

NEVER OPERATE THE DRYER WITHOUT ITS FILTER IN PLACE.



Stainless Steel

To clean stainless steel surfaces use a damp cloth with a mild, non-abrasive cleaner suitable for stainless steel surfaces. Remove the cleaner residue and then dry with a clean cloth.

The stainless steel used to make the dryer drum provides the highest reliability available in a GE Appliances dryer. If the dryer drum should be scratched or dented during normal use, the drum will not rust or corrode. These surface blemishes will not affect the function or durability of the drum.

Drum Light

The drum light is an LED light. Replacement must be done by a qualified technician.

Troubleshooting Tips

Before you call for service



| Problem | Possible Cause | What To Do |
|-------------------------------------|---|---|
| Dryer shakes or makes noise | Some shaking/noise is normal. Dryer may be sitting unevenly. | Move dryer to an even floor space, or adjust leveling legs as necessary until even. |
| Clothes take too long to dry | Improper or obstructed ducting | Check the Installation Instructions to make sure the dryer venting is correct. Make sure ducting is clean, free of kinks and unobstructed. Check to see if outside wall damper operates easily |
| | Improper sorting | Separate heavy items from lightweight items (generally, a well-sorted washer load is a well-sorted dryer load). |
| | Large loads of heavy fabrics (like beach towels) | Large, heavy fabrics contain more moisture and take longer to dry. Separate large, heavy fabrics into smaller loads to speed drying time. |
| | Controls improperly set | Match control settings to the load you are drying. |
| | Lint filter is full | Clean lint filter before every load. |
| | Blown fuses or tripped circuit breaker | Replace fuses or reset circuit breakers. NOTE: Some electric dryers use 2 fuses/ breakers, make sure both are operating |
| | Overloading/combining loads | Do not put more than one washer load in the dryer at a time. |
| | Underloading | If you are drying only one or two items, add a few items to ensure proper tumbling. |
| | ecoDry is enabled | The ecoDry feature is designed to operate your dryer in the most energy efficient mode, which is not always the fastest mode. In some instances, dry times may be extended to reduce overall energy usage for the cycle |



| | | |
|--|--|--|
| The Dry dryness level was chosen but load is still damp | Load consists of a mixture of heavy and light fabrics | When combining heavy and light fabrics in a load, choose More Dry. |
| | Exhaust system is blocked | Inspect and clean exhaust system. |
| Dryer doesn't start | Control panel is "asleep" | This is normal. Press Power to activate the control panel. |
| | Dryer is unplugged | Make sure the dryer plug is pushed completely into the outlet. |
| | Fuse is blown/circuit breaker is tripped | Check the building's fuse/circuit breaker box and replace fuse or reset breaker. NOTE: Some electric dryers use two fuses/ breakers, make sure both are operating. |
| | Dryer was accidentally paused when starting Delay Dry | If the light on the Start/Pause pad is flashing, the dryer is paused. Press Start/ Pause to restart the countdown. |
| No numbers displayed during cycle, only lights | Dryer is continuously monitoring the amount of moisture in the clothes | This is normal. When the dryer senses a low level of moisture in the load, the dryer will display the dry time remaining. |
| Time Remaining jumped to a lower number | The estimated time may change when a smaller load than usual is drying | This is normal. |
| Cannot make a selection and the dryer beeps twice | The dryness Level, Temp or option that you are trying to select is incompatible with the chosen dry cycle | This is normal. |
| Dryer is running but 00 is displayed in Time Remaining | The Wrinkle Care option was chosen | This is normal. During extended tumbling, the time remaining is not displayed. The extended tumbling option lasts approximately 60 minutes. |
| "Check Vent" light is on | Lint filter is full | |



| | | |
|----------------------------------|--|--|
| | | Clean lint filter, dry a load on an automatic cycle and verify that light turns off. |
| | Improper or obstructed ducting | Check the Installation Instructions to make sure the dryer venting is correct. Make sure ducting is clean, free of kinks and unobstructed. Check to see if outside wall damper operates easily. Dry a load on an automatic cycle and verify that light turns off |
| | Exhaust system is blocked | Inspect and clean the exhaust system. Dry a load on an automatic cycle and verify that light turns off. |
| Dryer doesn't heat | Fuse is blown/circuit breaker is tripped; the dryer may tumble but not heat | Check the building's fuse/circuit breaker box and replace both fuses or reset both breakers. Your dryer may tumble if only one fuse is blown or one breaker tripped. NOTE: Some electric dryers use 2 fuses/breakers, make sure both are operating. |
| | Gas service is off (gas models only) | Make sure gas shutoff at dryer and main shutoff are fully open. |
| | LP gas supply tank is empty or there has been a utility interruption of natural gas (gas models only) | Refill or replace tank. Dryer should heat when utility service is restored. |
| | No heat temperature selected | Select another heat setting |
| Inconsistent drying times | Type of heat | Drying time will vary according to the type of heat used. If you recently changed from an electric to a gas (natural or LP) dryer, or vice versa, the drying time could be different. |
| | Type of load and drying conditions | The load size, types of fabric, wetness of clothes and the length and condition of |

| | | |
|--|--|--|
| | | the exhaust system will affect drying times. |
| Clothes are still wet and dryer shut off after a short time | The door was opened mid-cycle. The load was then removed from the dryer and a new load put in without selecting a new cycle | A dry cycle must be reselected each time a new load is put in. |
| | Small load | When drying 3 items or less, choose QUICK DRY or TIMED DRY. |
| | Load was already dry except for collars and waistbands | Choose QUICK DRY or TIMED DRY to dry damp collars and waistbands. In the future, when drying a load with collars and waistbands, choose More Dry. |
| | Dryer is not level | Move dryer to an even floor space or adjust leveling legs as necessary until even. |
| Clothes are wrinkled | Overdrying | Select a shorter drying time. Remove items while they still hold a slight amount of moisture. Select a Less Dry or Damp setting. |
| | Letting items sit in dryer after cycle ends | Remove items when cycle ends and fold or hang immediately, or use the Wrinkle Care option. |
| | Overloading | Separate large loads into smaller ones. |
| Clothes shrink | Some fabrics will naturally shrink when washed. Others can be safely washed, but will shrink in the dryer. | To avoid shrinkage, follow garment care labels exactly. Some items may be pressed back into shape after drying. If you are concerned about shrinkage in a particular item, do not machine wash or tumble dry it. |
| Greasy spots on clothes | Improper use of fabric softener | Follow directions on fabric softener package. |

| | | |
|---|---|---|
| | Drying dirty items with clean ones | Use your dryer to dry only clean items. Dirty items can stain clean items and the dryer. |
| | Clothes were not completely clean | Sometimes stains which cannot be seen when the clothes are wet appear after drying. Use proper washing procedures before drying. |
| Lint on clothes | Lint filter is full | Clean lint screen before each load. |
| | Improper sorting | Sort lint producers (like chenille) from lint collectors (like corduroy). |
| | Static electricity can attract lint | See suggestions in this section under Static occurs. |
| | Overloading | Separate large loads into smaller ones. |
| | Paper, tissue, etc., left in pockets | Empty all pockets before laundering clothes |
| Static occurs | No fabric softener was used | Try a fabric softener. Bounce® Fabric Conditioner Dryer Sheets have been approved for use in all GE Appliances dryers when used in accordance with the manufacturer's instructions. |
| | Overdrying | Try a fabric softener. Adjust setting to Less Dry or Damp. |
| | Synthetics, permanent press and blends can cause static | Try a fabric softener. |
| Collars and waistbands still wet at end of cycle | The dryness monitor senses that the body of the clothes is dry | Choose QUICK DRY or TIMED DRY to dry damp collars and waistbands. In the future, when drying a load with collars and waistbands, choose More Dry. |
| Slight variation in metallic color | This is normal | Due to the metallic properties of paint used for this unique product, slight variations of color may occur due to viewing angles and lighting conditions. |



| | | |
|--|---|---|
| Dryer continues to tumble after display says Complete | Wrinkle Care was selected | Ensure Wrinkle Care option is not selected. For the Steam Refresh cycle, Wrinkle Care will automatically be turned on and cannot be turned off. |
| Door is too foggy to see clothes during a steam cycle | Steam condenses on inner door | This is normal. |
| Water seen on inside of door and top of lint filter when opening door after steam cycle | Steam condenses on these surfaces | This is normal. |
| Small areas on clothes are damp after steam cycle | Steam condenses on inner drum | If using the STEAM Dewrinkle cycle, manually reduce the cycle time. If using the STEAM Refresh cycle, add more garments to the load. |
| Small amount of water on floor in front of dryer | Inadequate load size for steam cycle selected, excess steam condenses inside cabinet and leaks out | If using the STEAM Dewrinkle cycle, manually reduce the cycle time. If using the STEAM Refresh cycle, add more garments to the load. |
| Water on floor in back of dryer | Loose water hose connection | Tighten connection. |
| | Hose missing rubber washer at connection with valve | Install rubber washer provided with hose. |
| Water drips from door when opened after a Steam Cycle | Steam condenses on inner door | This is normal |
| Cannot see steam at beginning of cycle | Steam released at different times in the cycle | This is normal. |
| Cannot see steam during cycle | The steam nozzle might be clogged with debris from your water supply | Call GE Appliances at 877.959.8688 to order nozzle replacement kit WE25M71 or to request a technician to replace this for you. |



| | | |
|--|---|--|
| Garments still wrinkled after steam cycle | Too many garments | Load fewer garments; manually increase time. |
| | Lint filter not clean | Clean lint filter |
| | Load is children/infant garments | Use the Steam Refresh cycle |

Warning

This content is compiled from multiple sources and is provided for reference purposes only. It may not be complete or fully applicable to all situations. If you are unable to resolve your issue, please contact the product manufacturer or an authorized service provider for official support.

