

DISHWASHER FEATURES



Time delay feature

Allows you to program the operation to begin at a later time, between 1 to 24 hours. Program to run during off-peak hours helps reduce electricity cost.



Error alarm

Fault codes display would inform the user of abnormal status of the machine.



Rinse aid Warning Indicator

When the rinse aid is running low, a refill reminder will be displayed on the panel. This ensures the machine continues to operate at optimum performance.



Stainless steel tub

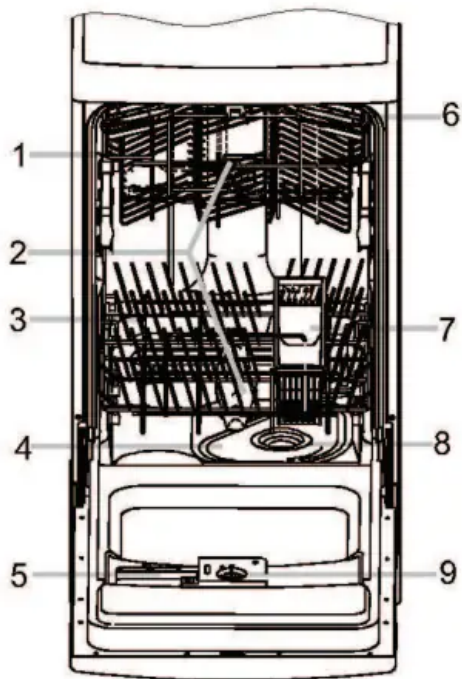


6 wash programs

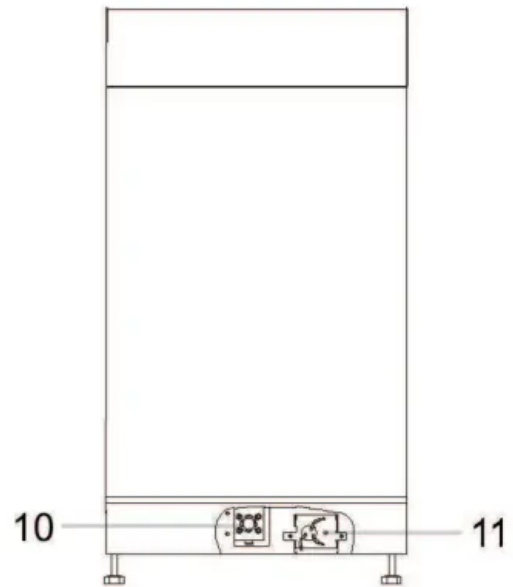
Choose from 6 wash cycles, based on load and soiled level: All-in-1, Heavy, Normal, Light, Rinse and Speed.

NOTE: The manufacturer, following a policy of constant development and updating of the product, may make modifications without giving prior notice.

PARTS IDENTIFICATION

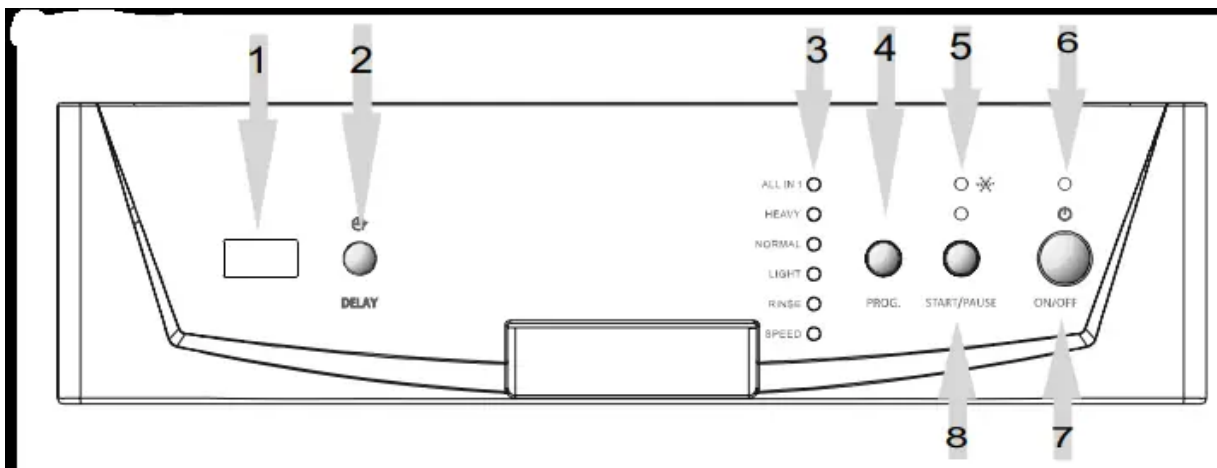


Front View
(Door Open)



1. Upper Basket
2. Spray Arms
3. Lower Basket
4. Main Filter
5. Detergent Dispenser
6. Cup Shelf
7. Silverware Basket
8. Coarse Filter
9. Rinse Aid Dispenser
10. Inlet Valve
11. Junction Box

Control Panel



1. Display window: Program remaining time, delay time, running indicator, fault codes and etc.
2. Delay Button: Press to program delay start.
3. Program indicator lights: Indicates the selected wash cycle.
4. Wash Program Selector: Press to select one of the six programs.
5. Rinse aid low warning light.
6. Power indicator light.
7. Power switch: To turn on/off the power supply.
8. Start/Pause button: To start the selected washing program or pause the washing program when the machine is working.

OPERATING INSTRUCTIONS

Loading the Dishwasher

For best performance of the dishwasher, follow these loading guidelines. Features and appearance of racks and silverware baskets may vary from your model.

The following items are not suitable for wash in the dishwasher:

- Cutlery with wooden, horn china or mother-of-pearl handles and wooden platters
- Plastic items that are not heat resistant
- Older cutlery with glued parts, bonded cutlery items or dishes
- Pewter or copper items
- Crystal glass
- Steel items subject to rusting
- Very small items as they may fall out the basket
- Items made from synthetic fibers

Items of limited suitability:

- Silver and aluminum - tends to discolor after washing
- Glazed patterns may fade.

FOR BEST PERFORMANCE

- Scrape off food particles before loading.
- Soften remnant of burnt food in pans
- Place cups, glasses, bowls, pots/pans face down.
- Curved items, or those with recesses, should be loaded at a slant so water can run off.
- Allow sufficient space between items to allow water and detergent to reach each surface.
- Ensure glasses and stemware are secure and balanced.
- Ensure breakable items are not sitting on metal cutlery which can chip the dishes.
- Do not overload the dishwasher.

CUTLERY BASKET

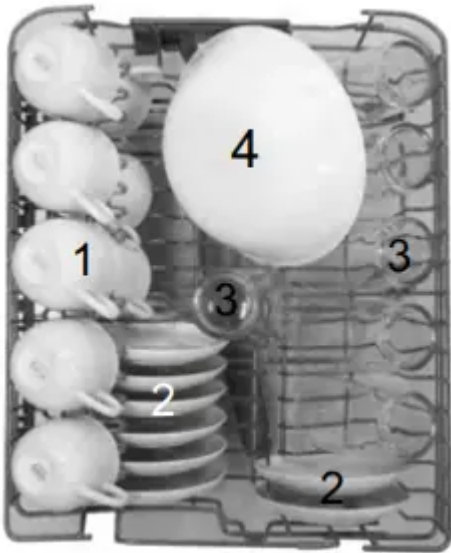
Flatware should be placed in the cutlery basket with handles at the bottom. Knives and other sharp utensils should be placed with handles up, but make sure the tips do not extend through the bottom. If the rack has side baskets, spoons should be loaded individually into slots. Longer utensils should be placed horizontally at the front of the upper rack.

WARNING: Do not let any item extend through bottom.



UPPER RACK

The upper rack is designed to hold more delicate and lighter dishware such as glasses, coffee and tea cups and saucers, as well as plates, small bowls and shallow pans (as long as they are not too dirty). Position the dishes and cookware so that they do not get moved by the spray of water. The upper rack can be lifted (or lowered) by removing and placing the rack into different rails. This makes room for either rack to accommodate different size items.

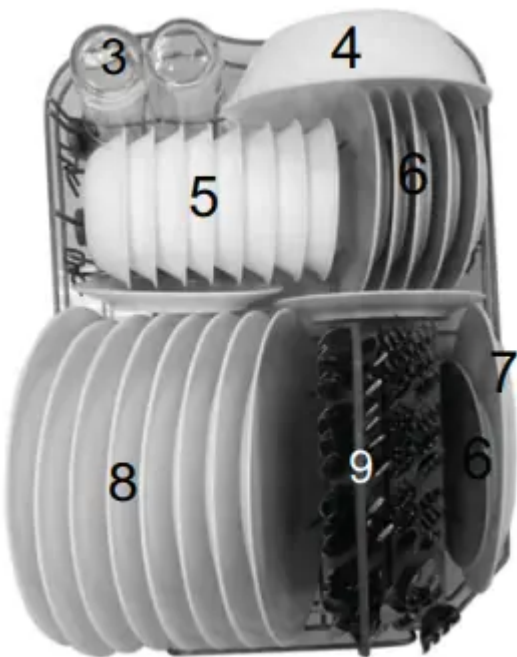


1. Cups
2. Saucer
3. Glasses

LOWER RACK

We recommend placing large items which are most difficult to clean into the lower rack: pots, pans, lids, serving dishes and bowls, as shown in the figure below. It is preferable to place serving dishes and lids on the side of the racks in order to avoid blocking the rotation of the top spray arm.

- Pots, serving bowls, etc, must always be placed top down.
- Deep pots should be slanted to allow water to flow out.
- The bottom rack features fold down tine row to accommodate larger pots and pans.



4. Serving bowl
5. Fruit bowl
6. Bread and butter plates
7. Serving plate
8. Dinner plates
9. Silverware basket

WARNING: To prevent damage, do not remove glass and cutlery from the dishwasher immediately after end of a program. Allow the dishware to return to room temperature

Detergent Dispenser

To prevent formation of deposits, do not add too much detergent. This dishwasher has specially designed water softener.

This unit uses less detergent and rinse aid than most conventional dishwashers. In general, only one tablespoon of detergent is needed for a normal wash load. Add more detergent as needed for heavily soiled loads. The amount of detergent can also vary due to differences in water hardness. To determine the water hardness in your area, contact your local water utility company. The harder the water, the more detergent may be needed. Remember, you should adjust the amount of detergent by small amounts until you find the correct amount.

The dispenser must be refilled before the start of each wash cycle and always add detergent just before starting the dishwasher, otherwise it could get damp and not dissolve properly.

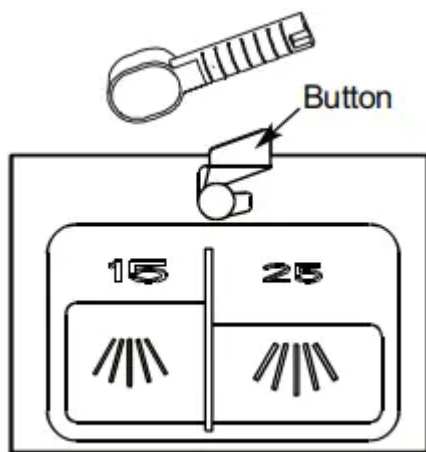
Use only detergent specifically made for use with dishwashers.

Removing Hard Water Spots

To remove hard water spots, try the following:

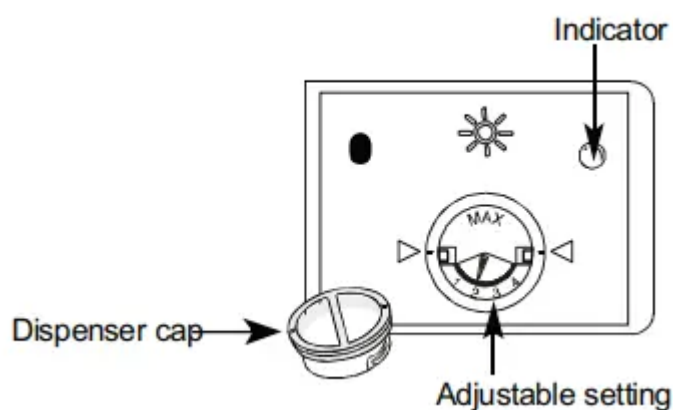
- Remove all metal dishware, such as cutlery, pans, etc., from the dishwasher.
- Do not add detergent.
- Pour two cups of vinegar into a bowl and set the bowl face up on the lower rack of the dishwasher.
- Run the dishes through a normal wash program.

If this doesn't work, try the same process with 1 / 4 cup of citric acid crystals instead of vinegar.



WARNING: Dishwasher detergent is corrosive! Take care to keep it out of reach of children.

Rinse Aid Dispenser



- To open the dispenser, turn the cap to the "open (left) arrow and lift it out.
- Pour the rinse aid into the dispenser, being careful not to overfill.
- To replace, align cap with "open" arrow and turn clockwise to close.
- The rinse aid is released during the final rinse to prevent water from forming droplets on your dishes that can leave spots and streaks. It also improves drying by allowing water to "sheet" off the dishes.
- Your dishwasher is designed to use liquid rinse aid. The rinse aid dispenser is located inside the door next to the detergent dispenser. To fill the dispenser, open the cap and pour the rinse aid into the dispenser until the level indicator turns completely black. The dispenser holds about 100ml of liquid rinse aid.
- Be careful not to overfill the dispenser, because this could cause over sudsing. Wipe away any spills with a damp cloth .
- Don't forget to replace the cap before you close the dishwasher door.
- If you have soft water, you may not need rinse aid for it may cause a white film to develop on your dishes.

Adjusting Rinse Aid Dispenser



Adjustable setting

A measured amount of rinse aid is released during the final rinse. As with detergent, the amount of rinse aid needed for your dishes depends on the hardness of the water in your area. Too much rinse aid can result in lather or foaming and cause cloudiness or steaks on your dishes. If the water in your area is very soft, you may not need rinse aid. If you do, you can dilute the rinse aid with an equal amount of water.

The rinse aid dispenser has four settings. Always start with the dispenser set on " 2 If spots and poor drying are problems, increase the amount of rinse aid dispensed by removing the dispenser lid and rotating the dial to "3". If the dishes still are not drying properly or are spotted, adjust the dial to"4". Refill when the Rinse Aid Warning Light illuminates.

How To Use The All in1 Program

Your dishwasher has an "All-in-1 Program" which needs no rinse aid but an "All-in-1" tablet.

NOTE: Only the All in 1 program can be use with All in 1 tablets. If you use all-in-1 tablets with other programs, the unit will not achieve good performance.

1. The figure below shows how to hang the All-in-1 tablet container on the upper basket.



2. Rotate the upper sprayer and adjust the container as needed to ensure the upper sprayer rotates freely and is not obstructed by the container. Refer to figure below for reference.



3. Place the all-in-1 tablet into the container and you are now ready to use the All in 1 program.

Starting a wash cycle

Once the dishwasher is loaded, follow these instructions to start the wash cycle:

1. Ensure the dishwasher is properly connected to power supply.
2. Ensure the water supply is properly connected and is turned on to full pressure.
3. Add detergent and check Rinse Aid is full.
4. Close the door and press the ON/OFF button to turn on the dishwasher.
5. Press the PROG button to select desired program: All-in-1 > Heavy > Normal > Light > Rinse > Speed.
6. If you wish delay the start time, press the DELAY button to set (1 to 24 hours)
7. Press the START/PAUSE button to begin the wash cycle.

Changing the Wash Program

You can change the wash program if the unit just started and only ran for a short time. Otherwise, detergent may have been released and water drained. If so, detergent dispenser must be refilled.

Open the door slightly, press and hold the PROG button for 3 seconds. Press PROG button again to select desired mode. Close the door.

Forgot to Add a Dish?

A forgotten dish can be added any time before the detergent cups opens:

1. Open the door slightly to pause the cycle.

2. After the spray arm stops spinning, you can open the door completely.
3. Add forgotten dishes.
4. Close the door and press start/pause button, the dishwasher will work after ten second.

At the End of the Wash Cycle

When wash cycle has finished, the dishwasher will buzz for 8 seconds.

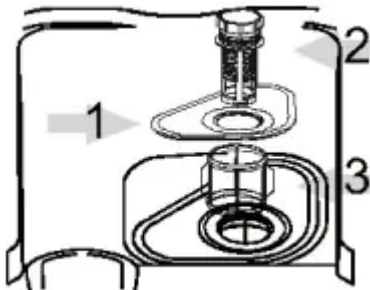
1. Turn the unit off by pressing the ON/OFF button.
2. Open the door.
3. Leave the door ajar and wait for a few minutes before unloading. This will allow the dishes to cool and assist in the drying process. Dishes that are still hot are more susceptible to breakage.

WARNING: It is dangerous to open the door when washing, because the hot water may scald you.

MAINTENANCE

Filter System

For your convenience, the drain pump and filtering system are placed within easy reach inside the tub. There are tree components of the filter system: Main Filter, Coarse Filter and Fine Filter:



1. Main Filter

Food and soil particles trapped by this filter are pulverized by a special jet on the lower spray arm and washed down the drain.

2. Coarse Filter

Larger items, such as pieces of bone, that could block the drain are trapped here. To remove items caught in this filter, gently squeeze the tabs on the top and lift out.

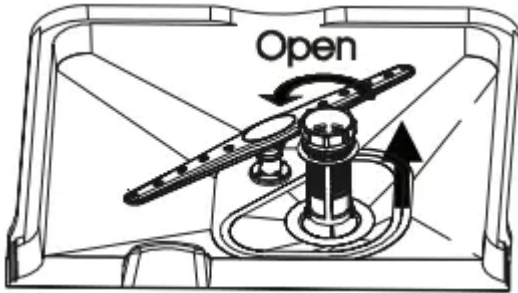
3. Fine Filter

This filter holds soil and food residue in the cylindrical base and prevents it from being redeposited on the dishes.

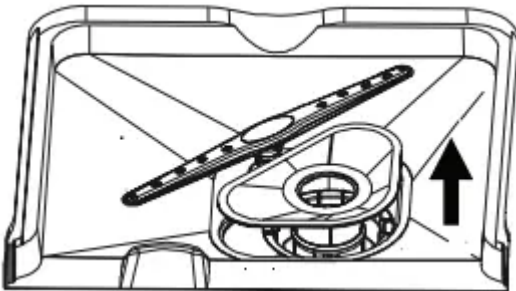
Cleaning the Filters

The filters efficiently removes food particles so the wash water can be recycled during a wash cycle. For best performance and results, the filter assembly must be cleaned regularly. Remove the filter assembly per instructions below and rinse clean under running water. Use a soft cleaning brush or old toothbrush to clean the Coarse and Fine Filters. Reassemble in reverse order.

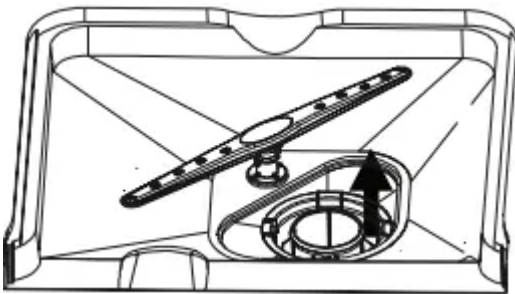
Step 1: Turn the filter counterclockwise and lift upwards



Step 2: Lift the Main Filter



Step 3: Lift the Fine Filter



WARNING!

- Inspect filters after each use.
- When cleaning, do not knock or bang the filters to remove residues. This could contort the filters and reduce performance of the dishwasher.
- Never run the dishwasher without filter assembly in place.
- Improper placement of the filter or damaged filter may reduce the unit's performance and may cause damage to dishes and/or utensils.
- The entire filter assembly should be cleaned at least once a week.

Cleaning the Spray Arm

It is necessary to clean the spray arms regularly for hard water chemicals will clog the spray arm jets and bearings. To remove the spray arm, screw off the nut to take out the washer on top of the spray arm and remove arm. Wash with soapy and warm water and use a soft brush to clean the jets. Carefully reinstall making sure the rotary movement is not impeded.

Cleaning the Dishwasher

The control panel can be cleaned by using a slightly dampened cloth. Dry thoroughly with a soft towel.

The exterior can be wiped with a towel and mild detergent solution. Wipe clean and follow with a good appliance polish wax.

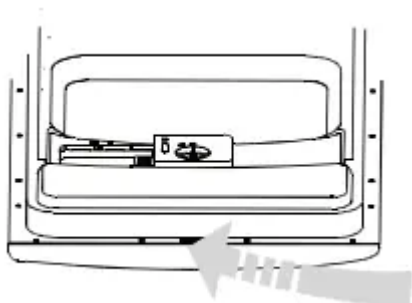
Never use sharp objects, scouring pads or harsh cleaners on any part of the dishwasher.

Protect Against Freezing

If your dishwasher is left in an unheated place during the winter months, please follow these procedures after each wash:

1. Turn off the dishwasher.
2. Turn off water supply and disconnect water inlet hose from the water valve.
3. Drain water from the inlet hose and water valve (use a pan to catch the water).
4. Reconnect the water inlet hose to water valve.
5. Remove the plastic sump cover in the bottom oftub and use a sponge (or towel) to soak up water in the sump

Cleaning the Door



Use only a soft damp cloth with warm water to clean the edge around the door. To avoid penetration of water into the door lock and electrical components, do not use a spray cleaner of any kind.

WARNING: Abrasive agents and some paper towels may scratch or leave marks on the surface.

Keeping Your Dishwasher in Shape

After Every Wash

Turn off the water supply and leave door slightly open so moisture and odors are not trapped inside. **Remove the Plug**

Before cleaning or performing maintenance, always remove the plug from the socket. Do not take risks. **No Solvents or Abrasive Cleaning**

Never use abrasive cleaners or solvents to clean the dishwasher. Use only a dampened soft towel with warm water. To remove spots or stains on the interior surface, you may use a cloth dampened with water and a little white vinegar.

Clean Filters Regularly

Clean the filters regularly to prevent clogs and odors.

Clean the Door Seals

Food that gets trapped in the seals may cause odor to form. Periodic cleaning with a damp sponge will prevent this from occurring.

Moving the Dishwasher

If the dishwasher must be moved, try to keep it in the upright position. If absolutely necessary, it can be positioned on its back.

Storage or Vacation Time

It is recommended you run a wash cycle with the dishwasher empty. Disconnect from power and turn off water supply. Remove any remaining water in the sump area with a sponge. Leave the door slightly open. This will help the door seal to last longer and prevent odors from forming inside the dishwasher.

TROUBLESHOOTING



Problem	Possible Causes	What To Do
Dishwasher doesn't run	Fuse blown, or the circuit breaker tripped	Replace fuse or reset circuit breaker. Remove other appliances sharing the same circuit with dishwasher
	Power supply is not turned on	Make sure the dishwasher is turned on and the door is closed securely. Make sure the power cord is properly plugged into the wall socket.
	Water pressure is low	Check that the water supply is connected properly and the water is turned on.
Noise	Some audible sounds are normal	Sound from soft food shredding action and detergent cup opening.
	Utensils are not secure in the baskets or something small has dropped into the basket	To ensure everything is secured in the dishwasher
	Motor hums	Dishwasher has not been used regularly. If not used often, remember to set it to fill and drain every week, which will help keep the seal moist.
Suds in the tub	Improper detergent	Use only dishwasher detergent to avoid sudsing. When this occurs, open the dishwasher and allow the suds to evaporate. Add 1 gallon of cold water to the tub. Close and latch the dishwasher, then Start a Rinse cycle to drain out the water. Repeat if necessary.
	Spilled rinse agent	Always wipe up rinse agent spills immediately.
Stained tub interior	Detergent with colorant was used	Make sure that the detergent is one without colorant.
Dishes are not dried	Rinse agent dispenser is empty	Make sure that the rinse agent dispenser is full.
Dishes and flatware not clean	Improper program	Select stronger program

	Improper rack loading	Make sure that the action of the detergent and spray arms are not blocked by large dishes.
Spots and filming on glasses and flatware	<ol style="list-style-type: none"> 1. Extremely hard water 2. Low inlet temperature 3. Overloading the dishwasher 3. Improper loading 4. Old or damp powder detergent 5. Empty rinse agent dispenser 6. Incorrect dosage of detergent 	<p>To remove spots from glassware:</p> <ul style="list-style-type: none"> - Take out all metal utensils out of the dishwasher. - Do not add detergent. - Choose the longest cycle. - Start the dishwasher and allow it to run for 18 to 22 minutes, then it will be in the main wash. <p>Open the door to pour 2 cups of white vinegar on the bottom of the dishwasher.</p> <p>Close the door and let the dishwasher complete the cycle. If the vinegar does not work: Repeat the above, except use 1/4 cup (60 ml) of citric acid crystals instead of vinegar.</p>
Cloudiness on glassware	Combination of soft water and too much detergent	Use less detergent if you have soft water and a shorter cycle to wash the glassware and them clean.
Yellow or brown film on inside surfaces	Tea or coffee stains	<p>using a solution of 1/2 cup of bleach and 3 cups of warm water to remove the stains by hand.</p> <p>WARNING</p> <p>You have to wait for 20 minutes after a cycle for the heating elements cool down before cleaning the interior; to preven scalding.</p>
	Iron deposits in water can cause an overall film	You have to call a water softener company for a special filter.
White film on inside surface	Hard water minerals	To dean the interior, use a damp sponge with dishwasher detergent and wear rubber gloves. Never use any other cleaner than dishwasher detergent for the risk of foaming or suds.
Detergent cup lid won't latch	Dial is not in the OFF position	Turn the Dial to OFF position and slide the latch to the left.

Detergent left in dispenser cups	Dishes block detergent cups	Re-load the dishes properly.
Steam	Normal phenomenon	There is some steam coming through the vent at the door latch during drying and water draining.
Black or gray marks on dishes	Aluminum utensils have rubbed against dishes	Use a mild abrasive cleaner to eliminate the marks.
Water standing in the bottom of the tub	This is normal	A small amount of clean water around the door at the tub bottom at the back of the tub keeps the water seal lubricated.
Dishwasher leaks	Overfill dispenser or rinse aid spills	Be careful not to overfill the rinse aid dispenser. Spilled rinse aid could cause oversudsing and overflow. Wipe away any spills with a damp cloth.
	Dishwasher isn't level	Make sure the dishwasher is level.

ERROR CODES

When unit experiences malfunction, the appliance will display error codes

Codes	Meanings	Possible Causes
E1	Long inlet time	Water intake is restricted or water pressure is too low
E3	Long heating time, unit not reaching the required temperature	Malfunction of temperature sensor or of heating element.

Warning

This content is compiled from multiple sources and is provided for reference purposes only. It may not be complete or fully applicable to all situations. If you are unable to resolve your issue, please contact the product manufacturer or an authorized service provider for official support.