

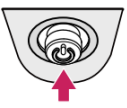
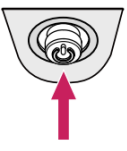

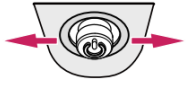

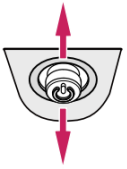

## Product and Button Description



### **Joystick Button / Power LED**

- On: Power on
- Off: Power off

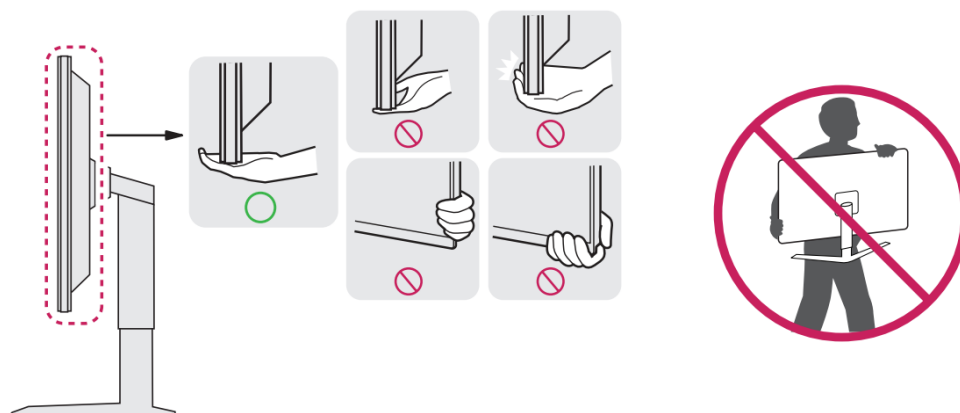
### How to Use the Joystick Button

		<b>Power on</b>	Press the joystick button once with your finger to turn on the monitor.
		<b>Power off</b>	Press and hold the joystick button once more than 5 seconds with your finger to turn off the monitor.
		<b>Volume control</b>	You can control the volume by moving the joystick button left/right.
		<b>Controls screen brightness</b>	You can control the screen's brightness by moving the joystick button up/down.

## Moving and Lifting the Monitor

When moving or lifting the monitor, follow these instructions to prevent the monitor from being scratched or damaged and to ensure safe transportation, regardless of its shape or size.

- Place the monitor in the original box or packing material before attempting to move it.
- Before moving or lifting the monitor, disconnect the power cord and all other cables.
- Hold the bottom and side of the monitor frame firmly. Do not hold the panel itself.
- When holding the monitor, the screen should face away from you to prevent it from being scratched.
- When transporting the monitor, do not expose the monitor to shock or excessive vibration.
- When moving the monitor, keep it upright and never turn the monitor on its side or tilt it sideways.

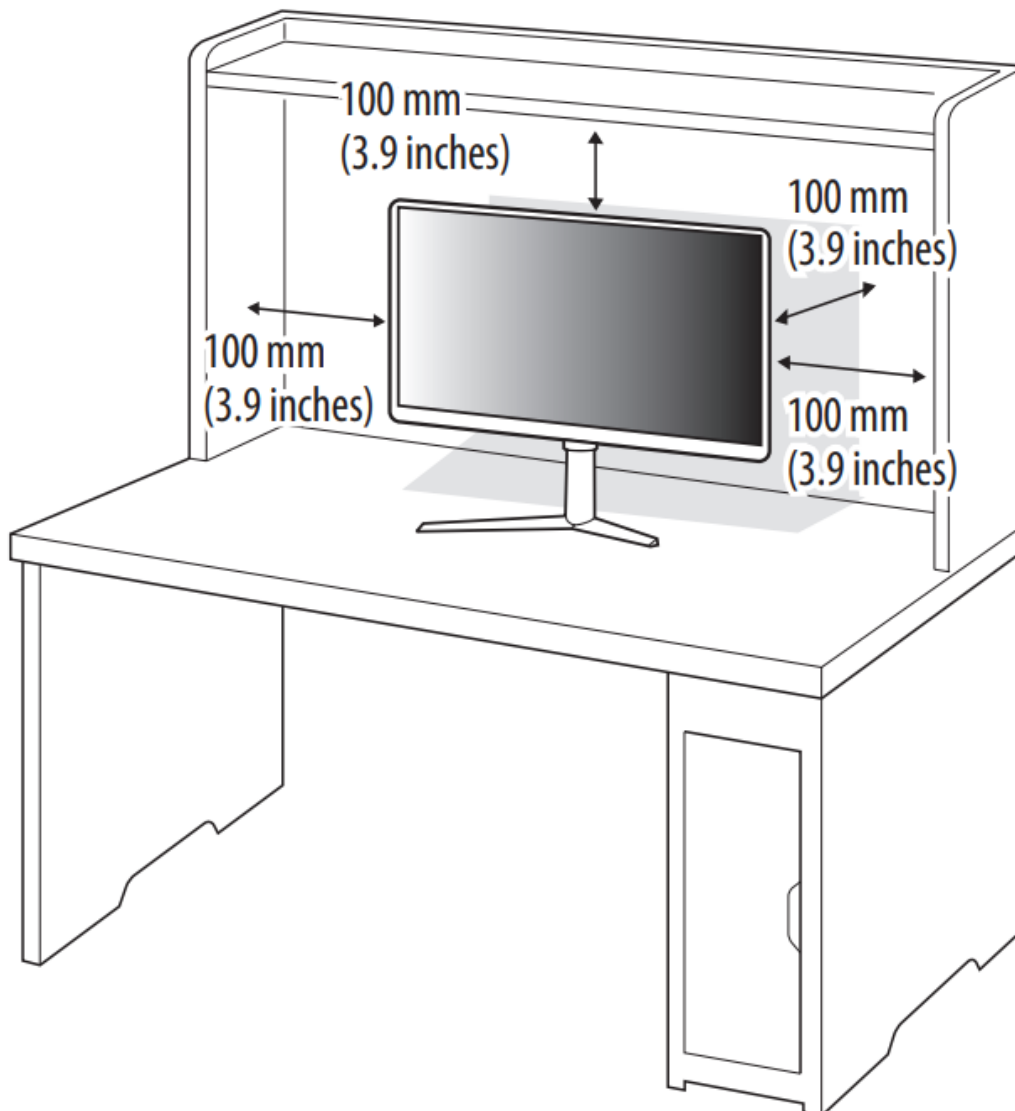


**CAUTION**

- Avoid touching the monitor screen as much as possible.
  - This may result in damage to the screen or some of the pixels used to create images.
- If you use the monitor panel without the stand base, its joystick button may cause the monitor to become unstable and fall, resulting in damage to the monitor or human injury. In addition, this may cause the joystick button to malfunction.

### Installing on a Table

- Lift the monitor and place it on the table in an upright position. Place the monitor at least 100 mm (3.9 inches) away from the wall to ensure sufficient ventilation.



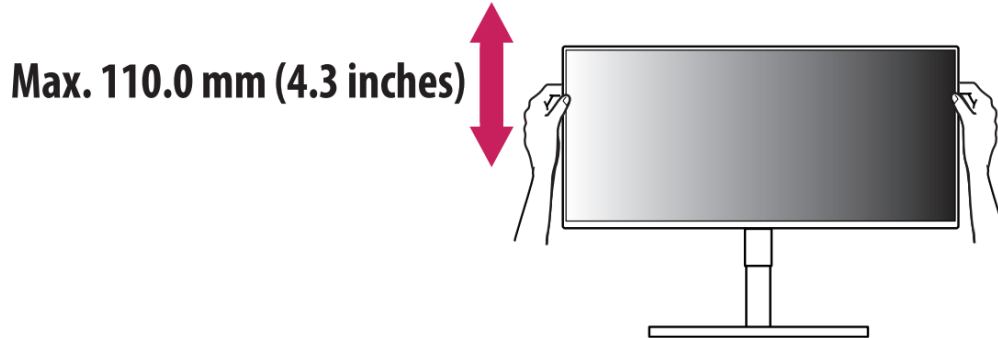
### CAUTION

- Unplug the power cord before moving or installing the monitor. There is risk of electric shock.
- Make sure to use the power cord that is provided in the product package and connect it to a grounded power outlet.

- If you need another power cord, please contact your local dealer or the nearest retail store.

## Adjusting the Stand Height

- 1 Place the monitor mounted on the stand base in an upright position.
- 2 Handle the monitor with both hands for safety.



### **⚠ WARNING**

- When adjusting the screen height, do not place your hand on the stand body to avoid injury to your fingers.

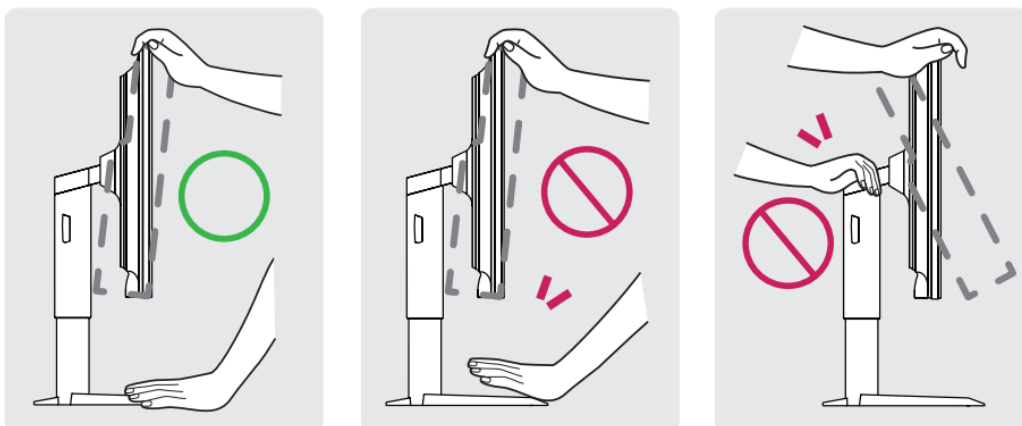
## Adjusting the Angle

- 1 Place the monitor mounted on the stand base in an upright position.
- 2 Adjust the angle of the screen.

The angle of the screen can be adjusted forward or backward from  $-5^{\circ}$  to  $15^{\circ}$  for a comfortable viewing experience.

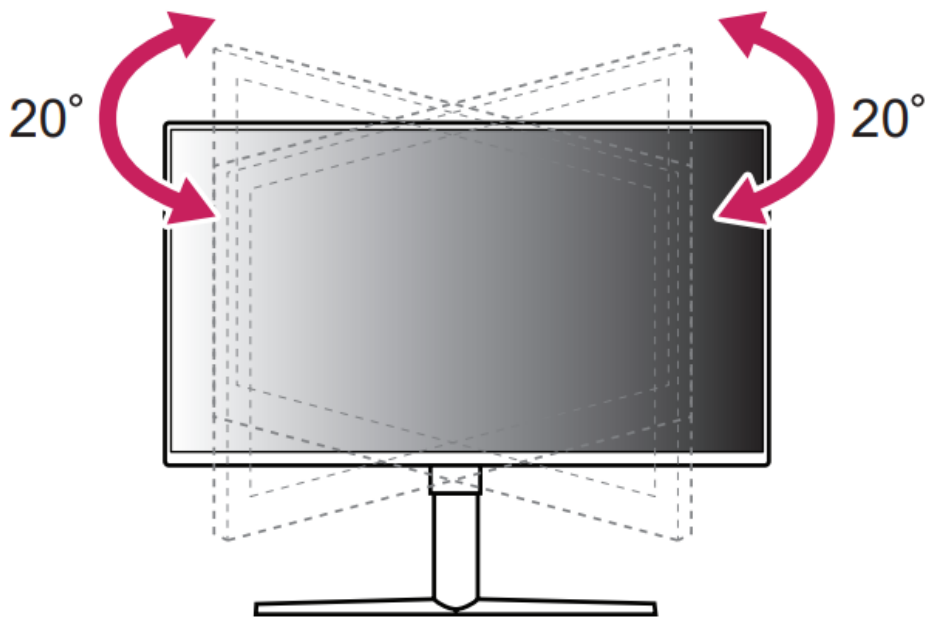
### **⚠ WARNING**

- To avoid injury to the fingers when adjusting the screen, do not hold the lower part of the monitor's frame as illustrated below.
- Be careful not to touch or press the screen area when adjusting the angle of the monitor.



## Note

- Swivel 20 degrees to the left or right and adjust the angle of the monitor to suit your view.

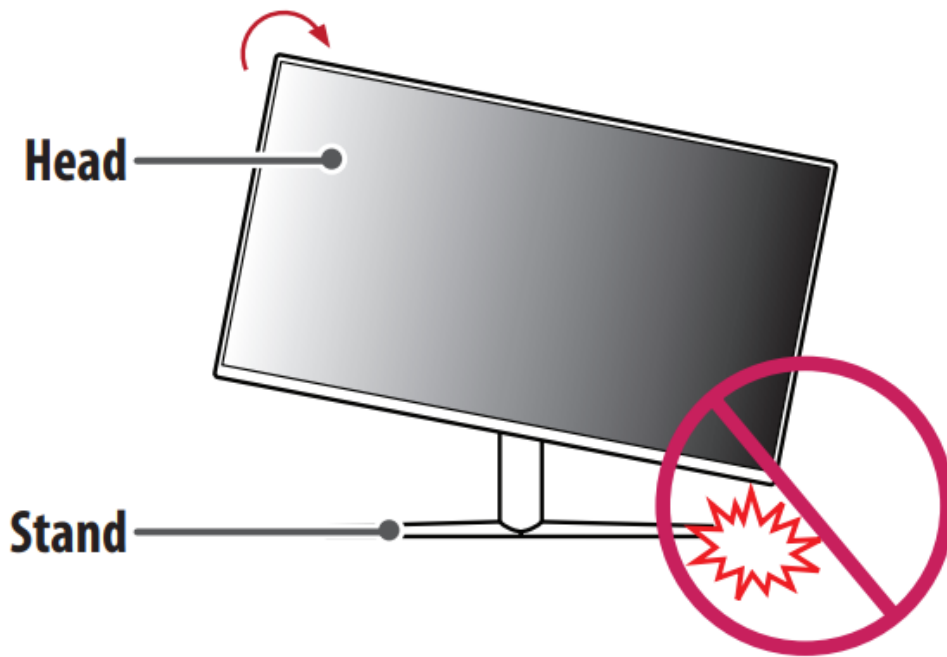


## Pivot Feature

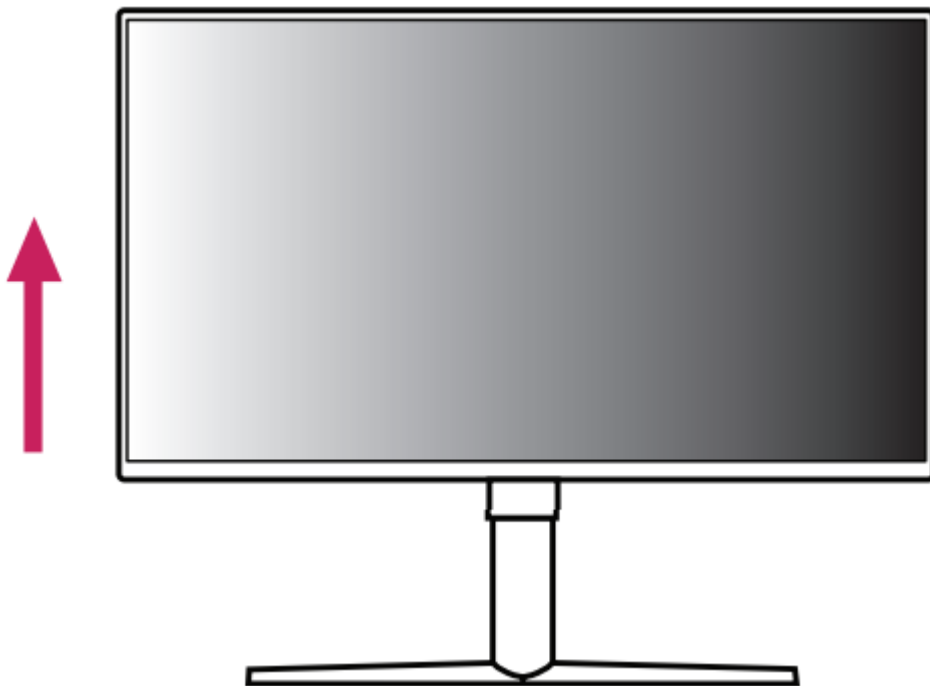
The pivot feature allows the monitor to rotate 90° clockwise.

### WARNING

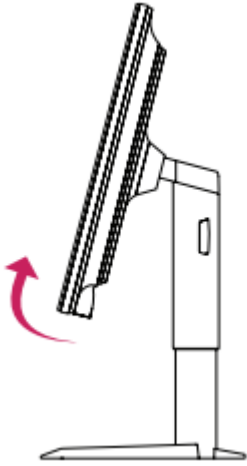
- When you rotate the screen using the pivot feature, make sure that you do not rotate the screen with excessive force or speed.
  - The head may come in contact with the stand and scratch the base.
  - Be careful as you may injure your finger by jamming it between the head and the stand.



1 Raise the monitor to the maximum height.



2 Adjust the angle of the monitor in the direction of the arrow as shown in the figure.



3 Rotate the monitor clockwise as shown in the figure.



4 Complete the installation by rotating the monitor 90° as shown below.



## Note

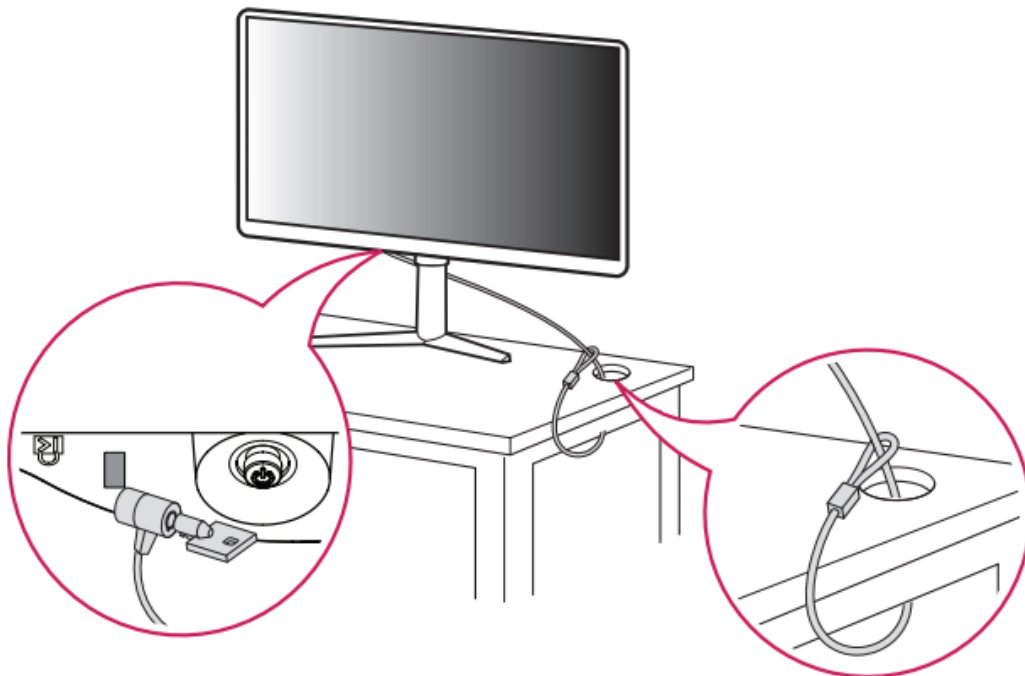
- Auto Pivot feature of the display is not supported.
- The screen can be rotated easily using the screen pivot shortcut key provided with your Windows operating system. Note that some Windows versions and some graphics card drivers may use different settings for the screen pivot key or may not support the pivot key at all.

## Using the Kensington Lock

The connector for the Kensington security system is located at the bottom of the monitor.

For more information on installation and usage, refer to the Kensington lock owner's manual or visit the website at <http://www.kensington.am>.

Connect the monitor to a table using the Kensington security system cable.



**Note:** • The Kensington security system is optional. You can obtain optional accessories from most electronics stores.

## Installing the Wall Mount Plate

This monitor meets the specifications for the wall mount plate or other compatible devices.

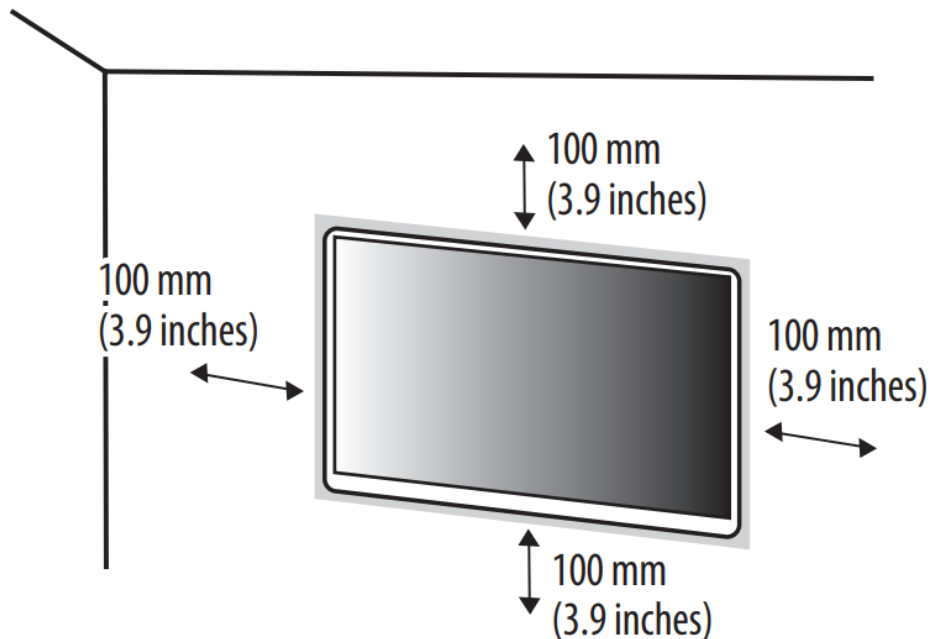
### NOTE

- The wall mount plate is sold separately.
- For more information on installation, refer to the wall mount plate's installation guide.
- Be careful not to apply too much force while mounting the wall mount plate as it may cause damage to the screen.

- Remove the stand before installing the monitor on a wall mount by performing the stand attachment in reverse.

#### Installing on the Wall

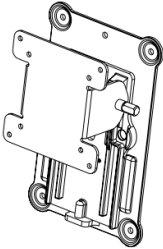
Install the monitor at least 100 mm (3.9 inches) away from the wall and leave about 100 mm (3.9 inches) of space at each side of the monitor to ensure sufficient ventilation. Detailed installation instructions can be obtained from your local retail store. Alternatively, please refer to the manual for how to install and set up a tilting wall mounting bracket.



To install the monitor to a wall, attach a wall mounting bracket (optional) to the back of the monitor. Make sure that the wall mounting bracket is securely fixed to the monitor and to the wall.

#### Note

- A non-VESA standard screw may damage the product and cause the monitor to fall. LG Electronics is not liable for any accidents relating to the use of non-standard screws.
- The wall mount kit includes the installation guide and all necessary parts.
- The wall mounting bracket is optional. You can obtain optional accessories from your local dealer.
- The length of the screw may differ for each wall mounting bracket. If you use screws longer than the standard length, it may damage the inside of the product.
- For more information, please refer to the user manual for the wall mounting bracket.

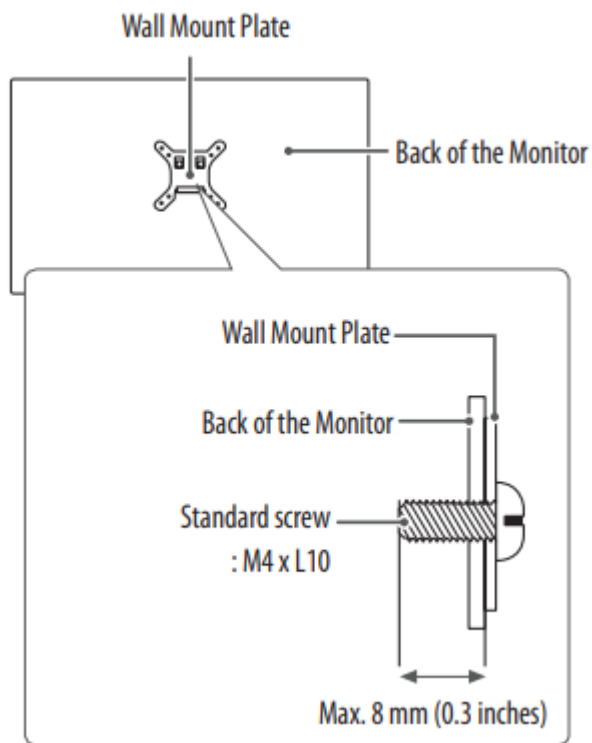
<b>Wall Mount (mm)</b>	100 x 100
<b>Standard screw</b>	M4 x L10
<b>Number of screws</b>	4
<b>Wall Mount Plate (Optional)</b>	RW120 

### Note

- A non-VESA standard screw may damage the product and cause the monitor to fall. LG Electronics is not liable for any accidents relating to the use of non-standard screws.
- The wall mount kit includes the installation guide and all necessary parts.
- The wall mounting bracket is optional. You can obtain optional accessories from your local dealer.
- The length of the screw may differ for each wall mounting bracket. If you use screws longer than the standard length, it may damage the inside of the product.
- For more information, please refer to the user manual for the wall mounting bracket.

### CAUTION

- Unplug the power cord before moving or installing the monitor to avoid electric shock.
- Installing the monitor on the ceiling or on a slanted wall may result in the monitor falling off, which could lead to injury. Use an authorized LG wall mount and contact the local dealer or qualified personnel.
- To prevent injury, this apparatus must be securely attached to the wall in accordance with the installation instructions.
- Applying excessive force when tightening screws may cause damage to the monitor. Damage caused in this way will not be covered by the product warranty.
- Use the wall mounting bracket and screws that conform to VESA standards. Damage caused by the use or misuse of inappropriate components will not be covered by the product warranty.
- When measured from the back of the monitor, the length of each installed screw must be 8 mm (0.3 inches) or less.



## USING THE MONITOR

- Illustrations in this manual may differ from the actual product.

Press the joystick button, go to [Settings] → [Input], and then select the input option.

### CAUTION

- Do not press the screen for a prolonged time. This may cause image distortion.
- Do not display a still image on the screen for a prolonged time. This may cause image retention.  
Use a PC screensaver if possible.
- When connecting the power cord to the outlet, use a grounded (3-hole) power strip or a grounded power outlet.
- The monitor may flicker when turned on in an area where the temperature is low. This is normal.
- Sometimes red, green, or blue spots may appear on the screen. This is normal.

## Connecting to a PC

- This monitor supports the \*Plug and Play feature.
- Plug and Play: A feature that allows you to add a device to your computer without having to reconfigure anything or install any manual drivers.

### HDMI Connection

Transmits digital video and audio signals from your PC to the monitor.

## CAUTION

- In HDMI input, only the RGB 4:4:4 Color Format is supported. YCbCr (YUV) is not supported.
- Using a DVI to HDMI / DP (DisplayPort) to HDMI cable may cause compatibility issues.
- Use a certified cable with the HDMI logo attached. If you do not use a certified HDMI cable, the screen may not display or a connection error may occur.
- Recommended HDMI cable types
  - High-Speed HDMI™ cable
  - High-Speed HDMI™ cable with Ethernet

### DisplayPort Connection

Transmits digital video and audio signals from your PC to the monitor.

#### Note

- There may be no video or audio output depending on the DP (DisplayPort) version of the PC.
  - Make sure to use the supplied DisplayPort cable of the product. Otherwise, this may cause the device to malfunction.
  - If you are using a Mini DisplayPort output graphics card, use a Mini DP to DP (Mini DisplayPort to DisplayPort) cable or gender that supports DisplayPort 1.2. (Sold separately)

## Connecting AV Devices

### HDMI Connection

HDMI transmits digital video and audio signals from your AV device to the monitor.

#### Note

- In HDMI input, only the RGB 4:4:4 Color Format is supported. YCbCr (YUV) is not supported.
- Using a DVI to HDMI / DP (DisplayPort) to HDMI cable may cause compatibility issues.
  - Use a certified cable with the HDMI logo attached. If you do not use a certified HDMI cable, the screen may not display or a connection error may occur.
- Recommended HDMI cable types
  - High-Speed HDMI™ cable
  - High-Speed HDMI™ cable with Ethernet

## Connecting Peripherals

### Headphones Connection

Connect peripherals to the monitor via the headphones port.

#### Note

- Peripheral devices are sold separately.
- Depending on the audio settings of the PC and external device, headphones and speaker functions may be limited.
- If you use angled earphones, it may cause a problem with connecting another external device to the monitor. Therefore, it is recommended to use straight earphones.



Angled



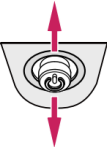
Straight  
(Recommend)

## USER SETTINGS

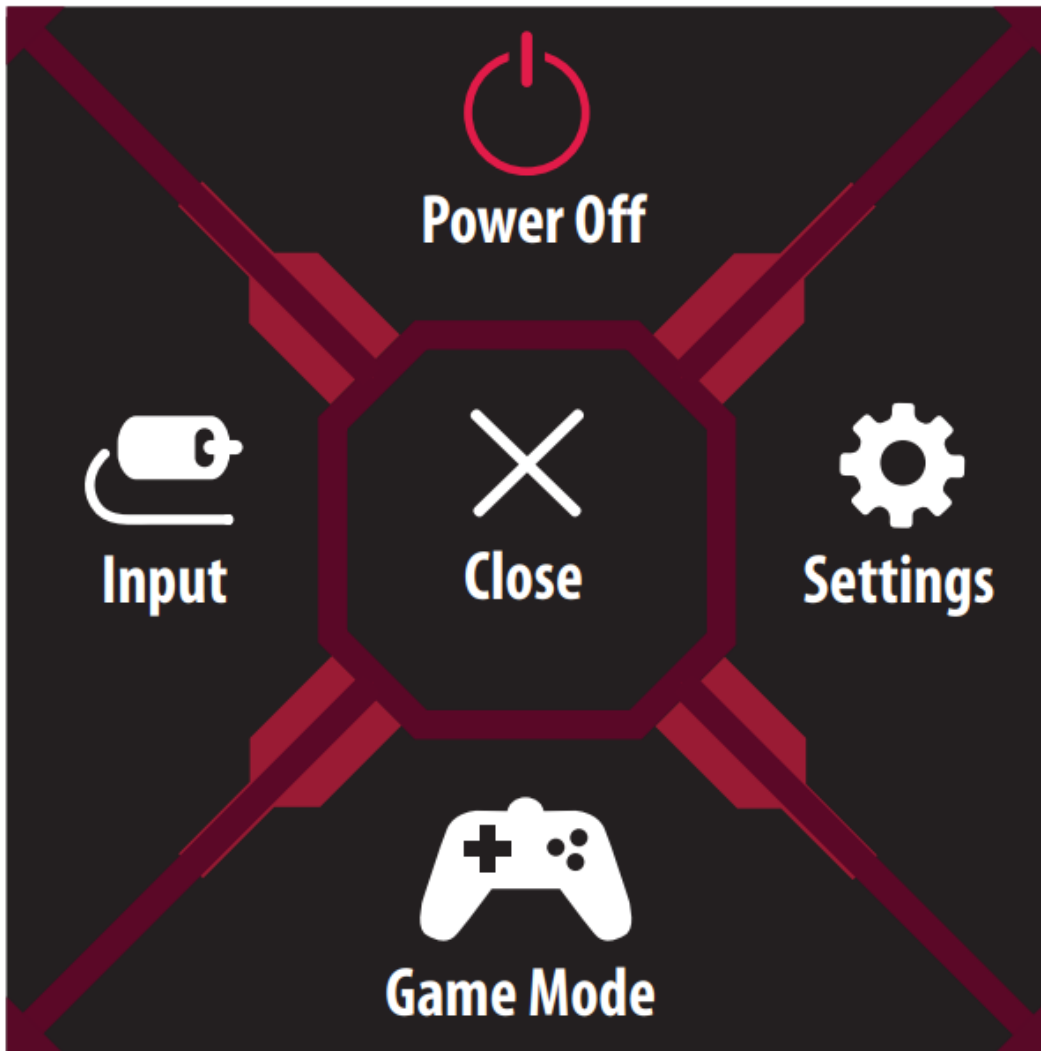
### Activating the Main Menu



- 1 Press the joystick button on the bottom of the monitor.
- 2 Move the joystick up/down and left/right to set the options.
- 3 Press the joystick button once more to exit the main menu.

Button	Menu Status		Description
	<b>Main menu disabled</b>		Enables the main menu.
	<b>Main menu enabled</b>		Exits the main menu.  (Holding down the button more than 5 seconds to turn off the monitor this way at any time, including when the C
	◀	<b>Main menu disabled</b>	Adjusts the monitor volume level.
		<b>Main menu enabled</b>	Enters the [Input] features.
	▶	<b>Main menu disabled</b>	Adjusts the monitor volume level.
		<b>Main menu enabled</b>	Enters the [Settings] feature.
	▲	<b>Main menu disabled</b>	Adjusts the monitor brightness level.
		<b>Main menu enabled</b>	Turns off the monitor.
	T	<b>Main menu disabled</b>	Adjusts the monitor brightness level.
		<b>Main menu enabled</b>	Enters the [Game Mode] feature.

## Main Menu Features



Main Menu	Description
[Input]	Sets input mode.
[Power Off]	Turns off the monitor.
[Settings]	Configures the screen settings.
[Game Mode]	Sets the game mode for gaming.
[Close]	Closes the main menu.

### Menu Settings

- 1 To view the OSD menu, press the joystick button at the bottom of the monitor and then enter the [Settings].
- 2 Move the joystick up/down and left/right to set the options.
- 3 To return to the upper menu or set other menu items, move the joystick to ◀ or pressing (🎮) it.
- 4 If you want to exit the OSD menu, move the joystick to ◀ until you exit.



[Game Mode]



[Game Adjust]



[Picture Adjust]



[Input]



[General]

## Game Mode

[Settings] > [Game Mode]		Description
[Game Mode]	[Gamer 1]	In [Gamer 1] and [Gamer 2] mode, you can save customized settings for [Stabilizer] and [Response Time]. Select the desired mode for use.
	[Gamer 2]	
	[FPS]	This mode is optimized for FPS games. It is suitable for very dark FPS games.
	[RTS]	This mode is optimized for RTS Game.
	[Reader]	Optimizes the screen for viewing documents. You can brighten the screen and adjust the contrast in the menu.

## Game Adjust

[Settings] > [Game Adjust]		Description	
		[On]	Sets [Overclock] to a higher refresh rate than specified by specification.
		[Off]	Disables the [Overclock] improvement feature.
[Game Adjust]	[Overclock]	<p><b>o NOTE</b></p> <ul style="list-style-type: none"> <li>• After the monitor reboots, change the maximum refresh rate setting in panel.</li> <li>• If the screen display appears abnormal, turn off the [Overclock] setting.</li> <li>• The function can only be used through DisplayPort.</li> <li>• The [Overclock] function's features/performance may vary depending on or gaming content.</li> <li>• We do not guarantee the performance of the function and are not responsible for effects that may occur from its activation.</li> </ul>	
		You can control the black contrast to have better visibility in dark scenes. distinguish objects on dark game screens.	
	[Black Stabilizer]	[High]	Sets the black stabilizer to [High].
		[Middle]	Sets the black stabilizer to [Middle].
		[Low]	Sets the black stabilizer to [Low].
		[Off]	Does not use the black stabilizer improvement feature.

[Settings] > [Game Adjust]		Description	
		Sets a response time for displayed pictures based on the speed of the scene in the gaming environment, it is recommended that you use [Fast]. For a fast-moving picture, it is recommended that you use [Faster]. Setting to [Faster] may cause image distortion.	
	[Response Time]	[Faster]	Sets the response time to [Faster].
		[Fast]	Sets the response time to [Fast].
[Game Adjust]		[Normal]	Sets the response time to [Normal].
		[Off]	Does not use the response time improvement feature.
	[Cross Hair]	<p>Cross hair provides a mark on the center of the screen for First Person Shooter games. Users can select the cross hair that fits their gaming environment. There are several different cross hairs.</p> <ul style="list-style-type: none"> <li>• When the monitor is off or enters energy saving mode, the cross hair feature is automatically turned off.</li> </ul>	
	[Game Reset]	Returns game to the default settings.	

## Picture Adjust

[Settings] > [Picture Adjust]		Description	
	[Brightness/ Contrast]	Adjusts the color contrast and brightness of the screen.	
	[Gamma]	Custom gamma settings: [Mode 1], [Mode 2], [Mode 3]. The higher the gamma value, the darker the image becomes. Likewise, the lower the gamma value, the lighter the image becomes.	
	[Color Temp]	[Custom]	The user can adjust it to red, green, or blue by customizing the color temperature.
[Picture Adjust]		[Warm]	Sets the screen color to a reddish tone.
		[Medium]	Sets the screen color to between a red and blue tone.
		[Cool]	Sets the screen color to a bluish tone.
	[R/G/B]	You can customize the picture color using red, green, and blue colors.	
	[Picture Reset]	Returns picture and color to the default settings.	

## Input

[Settings] > [Input]		Description	
[Input]	[Input List]	Selects the input mode.	
	[Aspect Ratio]	Adjusts the aspect ratio of the screen.	
		[Full Wide]	Displays the video in widescreen, regardless of the video s
		[Original]	Displays video according to the aspect ratio of the video si
		[Just Scan]	The aspect ratio is not adjusted from the original.
	<p><b>O note</b></p> <ul style="list-style-type: none"> <li>• The display may look the same for [Full Wide], [Original], and [Just Scan] at the recommended resolution.</li> </ul>		

## General

[Settings] > [General]		Description
[General]	[Language]	Sets the menu screen to the desired language.
	[Power LED]	Turns the power LED on the bottom of the monitor on or off.
		[On]
	[Off]	The power LED turns off.
[Automatic Standby]	Feature that automatically turns off the monitor when there is no movement for a period of time. You can set a timer for the auto-off function. ([Off], [4]	

[Settings] > [General]		Description	
		This feature disables the configuration and adjustment of menus.	
		[On]	Enables [OSD Lock].
		[Off]	Disables [OSD Lock].
[General]	[OSD Lock]	<p>o <b>NOTE</b></p> <ul style="list-style-type: none"> <li>The menus except the menus below are disabled. <ul style="list-style-type: none"> <li>- [Picture Adjust] → [Brightness/Contrast]</li> <li>- [Input]</li> <li>- [General] → [OSD Lock], [Information]</li> </ul> </li> </ul>	
	[Deep Sleep]	This features turns the monitor off when there is no signal detected from DisplayPort input after a certain amount of time.	
		[On]	Enables [Deep Sleep].
		[Off]	Disables [Deep Sleep].
	[Information]	The following display information will be shown; the model, total power on refresh rate, mode and input source.	
	[Reset to Initial Settings]	Restores the default settings.	

# TROUBLESHOOTING



<b>Nothing is displayed on the screen.</b>	
Is the monitor's power cord plugged in?	<ul style="list-style-type: none"> <li>• Check if the power cord is correctly plugged into the power outlet.</li> </ul>
Is the monitor's adapter plugged in?	<ul style="list-style-type: none"> <li>• Make sure to use the adapter that is provided in the product packa</li> </ul>
Is the power LED on?	<ul style="list-style-type: none"> <li>• Check the power cable connection and press the power button.</li> </ul>
Is the power on and the power LED displaying red?	<ul style="list-style-type: none"> <li>• Check that the connected input is enabled ([Settings] -&gt; [Input]).</li> </ul>
Is the [The screen is not currently set to the recommended resolution. If you have no video or the screen flickers, see the troubleshooting guide in the product owner's manual.] message being displayed?	<ul style="list-style-type: none"> <li>• This occurs when signals transferred from the PC (graphics card) are outside the recommended horizontal or vertical frequency range of the monitor. Please see the Product Specification section of this manual to set the appropriate frequency.</li> </ul>
Is the [No Signal] message being displayed?	<ul style="list-style-type: none"> <li>• This is displayed when the signal cable between the PC and the monitor is missing or disconnected. Check the cable and reconnect it.</li> </ul>
<b>Screen display is unstable and shaky. / Images displayed on the monitor leave shadow trails.</b>	
Did you select the appropriate resolution?	<ul style="list-style-type: none"> <li>• If the selected resolution is HDMI 1080i 60/50 Hz (interlaced), the screen may be flickering. Change the resolution to 1080p or the recommended resolution.</li> <li>• Not setting the graphics card to the recommended (optimal) resolution may result in blurred text, a dimmed screen, a truncated display area or misalignment of the display.</li> <li>• The setting methods may be different depending on the computer's operating system, and some resolutions may not be available depending on the performance of the graphics card. If this is the case, contact the manufacturer of the computer or graphics card for assistance.</li> </ul>

Does image sticking occur even when the monitor is turned off?	<ul style="list-style-type: none"> <li>• Displaying a still image for a prolonged time may cause damage to the monitor, resulting in the retention of the image.</li> <li>• To extend the lifetime of the monitor, use a screensaver.</li> </ul>
Are there spots on the screen?	<ul style="list-style-type: none"> <li>• When using the monitor, pixilated spots (red, green, blue, white, etc.) may appear on the screen. This is normal for an LCD screen. It is not an error, nor is it related to the monitor's performance.</li> </ul>
Are some functions not available when you press the Menu button?	<ul style="list-style-type: none"> <li>• The OSD is locked. Disable [OSD Lock] in [General].</li> </ul>
<b>Do you see an "Unrecognized monitor, Plug and Play (VESA DDC) monitor found" message?</b>	
Have you installed the display driver?	<ul style="list-style-type: none"> <li>• Be sure to install the display driver from the display driver CD (or the CD-ROM) that comes with your display. Or, you can also download the driver from the LG web site: <a href="http://www.lg.com">www.lg.com</a>.</li> <li>• Make sure to check if the graphics card supports Plug and Play function.</li> </ul>
<b>No sound from the headphone port.</b>	
Are images displayed without sound?	<ul style="list-style-type: none"> <li>• Make sure that the headphone port connections are made properly.</li> <li>• Try increasing the volume with the joystick.</li> <li>• Set the audio output of the PC to the monitor you are using. (The settings may differ depending on the operating system (OS) you use.)</li> </ul>

**Warning**

This content is compiled from multiple sources and is provided for reference purposes only. It may not be complete or fully applicable to all situations. If you are unable to resolve your issue, please contact the product manufacturer or an authorized service provider for official support.

