

## Important Safety Instructions

When using an electrical appliance, basic precautions should always be followed, including the following:

### **READ ALL INSTRUCTIONS BEFORE USING THIS APPLIANCE. SAVE THESE INSTRUCTIONS**

1. This Appliance can be used by children aged from 8 years and above and persons with reduced physical, sensory or mental capabilities or lack of experience and knowledge if they have been given supervision or instruction concerning use of the Appliance in a safe way and understand the hazards involved. Children shall not play with the Appliance. Cleaning and user maintenance shall not be made by children without supervision.
2. Clear the area to be cleaned. Remove power cords and small objects from the floor that could entangle the Appliance. Tuck rug fringe under the rug base, and lift items such as curtains and tablecloths off the floor.
3. If there is a drop off in the cleaning area due to a step or stairs, you should operate the Appliance to ensure that it can detect the step without falling over the edge. It may become necessary to place a physical barrier at the edge to keep the unit from falling. Make sure the physical barrier is not a trip hazard.
4. Only use as described in this manual. Only use attachments recommended or sold by the manufacturer.
5. Please make sure your power supply voltage matches the power voltage marked on the Charging Dock.
6. For INDOOR household use ONLY. Do not use the Appliance in outdoor, commercial or industrial environments.
7. Non-rechargeable batteries are prohibited. For battery information, please refer to Specifications section.
8. Do not use without dust bin and/or filters in place.
9. Do not operate the Appliance in an area where there are lit candles or fragile objects.
10. Do not use in extremely hot or cold environments (below -5°C/23°F or above 40°C/104°F).
11. Keep hair, loose clothing, fingers, and all parts of body away from any openings and moving parts.
12. Do not operate the Appliance in a room where an infant or child is sleeping.
13. Do not use Appliance on wet surfaces or surfaces with standing water.
14. Do not allow the Appliance to pick up large objects like stones, large pieces of paper or any item that may clog the Appliance.

15. Do not use Appliance to pick up flammable or combustible materials such as gasoline, printer or copier toner, or use in areas where they may be present.
16. Do not use Appliance to pick up anything that is burning or smoking, such as cigarettes, matches, hot ashes, or anything that could cause a fire.
17. Do not put objects into the suction intake. Do not use if the suction intake is blocked. Keep the intake clear of dust, lint, hair, or anything that may reduce air flow.
18. Take care not to damage the power cord. Do not pull on or carry the Appliance or Charging Dock by the power cord, use the power cord as a handle, close a door on the power cord, or pull power cord around sharp edges or corners. Do not run Appliance over the power cord. Keep power cord away from hot surfaces.
19. If the power cord is damaged, it must be replaced by the manufacturer or its service agent in order to avoid a hazard.
20. Do not use the Charging Dock if it is damaged.
21. Do not use with a damaged power cord or receptacle. Do not use the Appliance or Charging Dock if it is not working properly, has been dropped, damaged, left outdoors, or come in contact with water. It must be repaired by the manufacturer or its service agent in order to avoid a hazard.
22. Turn OFF the power switch before cleaning or maintaining the Appliance.
23. The plug must be removed from the receptacle before cleaning or maintaining the Charging Dock.
24. Remove the Appliance from the Charging Dock, and turn OFF the power switch to the Appliance before removing the battery for disposal of the Appliance.
25. The battery must be removed and discarded according to local laws and regulations before disposal of the Appliance.
26. Please dispose of used batteries according to local laws and regulations.
27. Do not incinerate the Appliance even if it is severely damaged. The batteries can explode in a fire.
28. When not using the Charging Dock for a long period of time, please unplug it.
29. The Appliance must be used in accordance with the directions in this Instruction Manual. ECOVACS ROBOTICS cannot be held liable or responsible for any damages or injuries caused by improper use.
30. The robot contains batteries that are only replaceable by skilled persons. To replace or remove the battery, please contact Customer Service.
31. If the robot will not be used for a long time, fully charge the robot and power OFF for storage and unplug the Charging Dock.
32. **WARNING:** For the purposes of recharging the battery, only use the detachable supply unit DK18-190060H-V provided with this appliance.

33. The Remote Control pre-installs two non-rechargeable AAA batteries. To replace the battery of the Remote Control, please turn over the Remote Control, press and remove its Battery Cover. Remove the batteries, and insert the new batteries with the correct polarity. Reassemble the Battery Cover.
34. Non-rechargeable batteries are not to be recharged.
35. Different types of batteries or new and used batteries are not to be mixed.
36. Batteries of the Remote Control are to be inserted with the correct polarity.
37. Exhausted batteries are to be removed from the Appliance and safely disposed of.
38. If the Remote Control is to be stored unused for a long period, the batteries should be removed.
39. The supply terminals are not to be short-circuited.

## Package Contents and Technical Specifications

### 2.1 Package Contents



Robot



Charging Dock with  
Power Adapter



Remote Control  
(with battery)



Instruction Manual



(2) Side Brushes



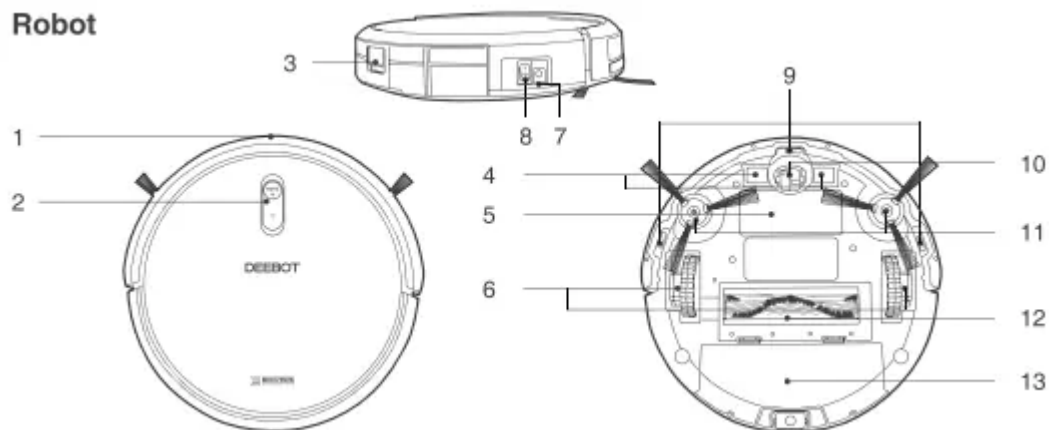
Power Adapter

## 2.2 Specifications

<b>Model</b>	<b>DN622.21</b>		
<b>Working Voltage</b>	14.4V DC	<b>Rated Power</b>	25W
<b>Charging Dock</b>			
<b>Rated Input Voltage</b>	19 V DC	<b>Rated output current</b>	0.6 A
<b>Power Adapter Model</b>	<b>DK18-190060H-S</b>		
<b>Rated Input Voltage</b>	100-240 V AC	<b>Rated Input Current</b>	0.5 A
<b>Rated output Voltage</b>	19 V DC	<b>Rated output current</b>	0.6 A
<b>Remote Control Model</b>	<b>RC1507</b>	<b>Input Voltage</b>	3V DC
<b>Battery</b>	Lithium 2600mAh		

Technical and design specifications may be changed in the course of continuous product improvement

## 2.3 Product Diagram

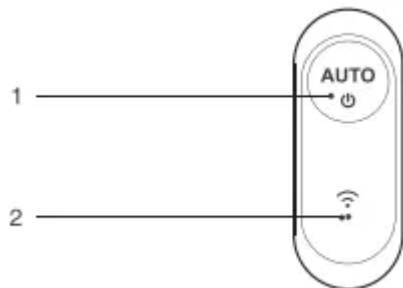


1. Anti-Collision Sensors and Bumper
2. Control Panel
3. Dust Bin Release Button
4. Charging Contacts
5. Battery Cover
6. Driving Wheels
7. Power Adapter Port
8. Power Switch
9. Anti-Drop Sensors
10. Universal Wheel
11. Side Brushes

12. Main Brush

13. Dust Bin

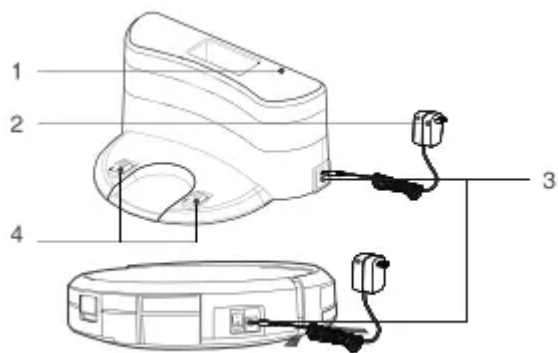
### Control Panel



1. AUTO Mode Button

2. Wi-Fi Indicator Light

### Charging Dock



1. Power Indicator Light

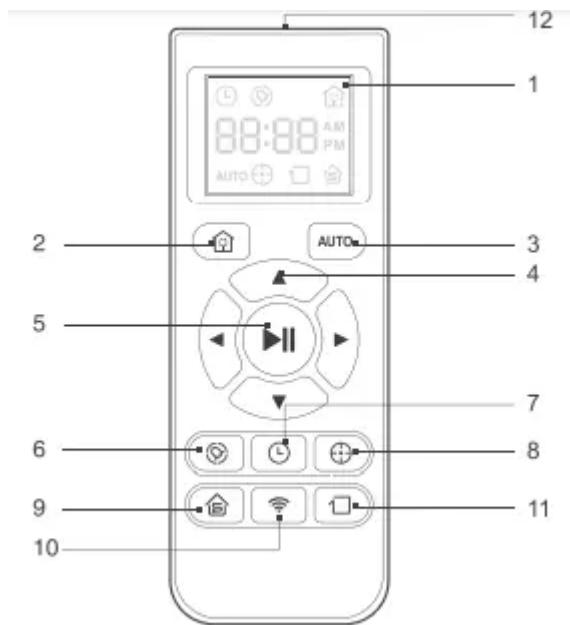
2. Power Adapter

3. Power Adapter Port

4. Charging Dock Pins

### Remote Control

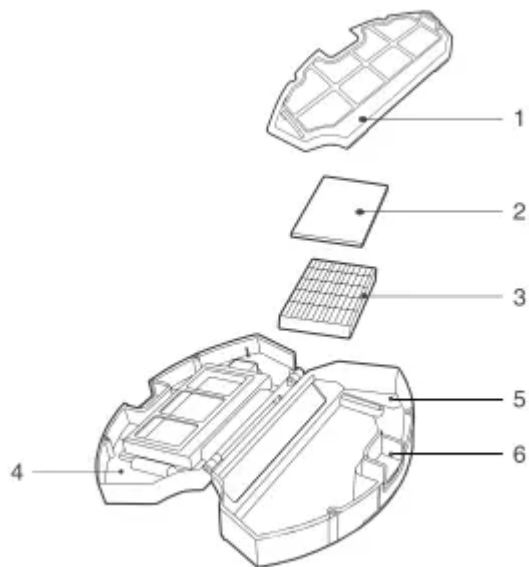




1. LCD Screen
2. Return to Charger Mode Button
3. AUTO Mode Button
4. Direction Control Buttons
5. START/PAUSE Button
6. Time Scheduling Button
7. Set Current Time Button
8. Spot Cleaning Mode Button
9. Single Room Mode Button
10. Network Setup Button
11. Edge Cleaning Mode Button
12. Infrared Emitter

## Dust Bin



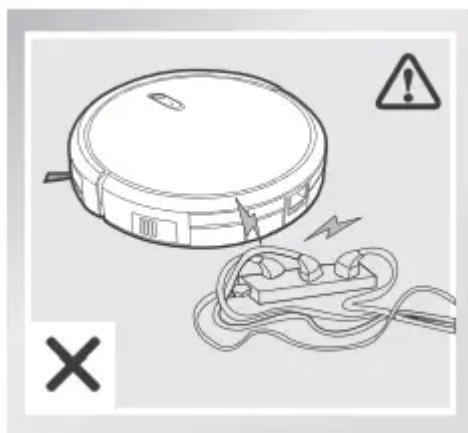


1. Filter Net
2. Sponge Filter
3. High Efficiency Filter
4. Dust Bin Cover
5. Dust Bin
6. Dust Bin Release Button

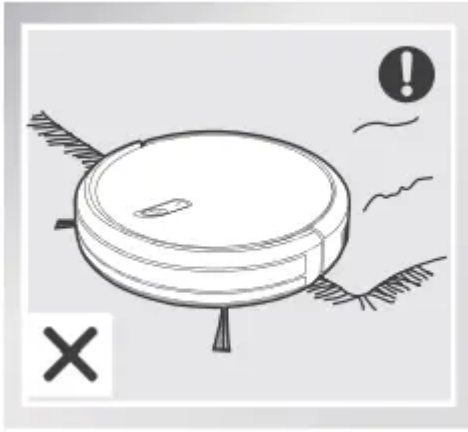
## Operating and Programming

### 3.1 Notes Before Cleaning

**Before operating DEEBOT, take a few moments to survey the area to be cleaned and remove any obstacles.**



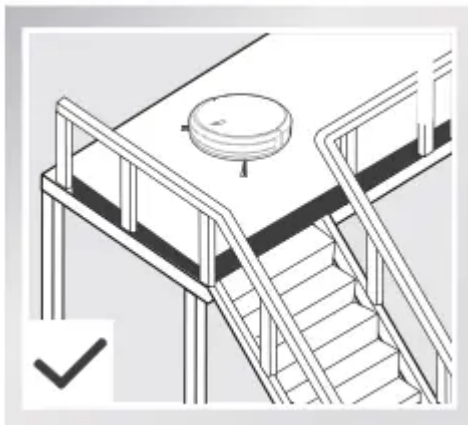
Remove power cords and small objects from the floor that could entangle the product



The product is not suitable for use on long-pile carpet. Before using the product near an area rug or on a short-pile area rug with tasseled edges, please fold area rug edges under themselves.



Please be aware that the robot needs at least an 8 cm (3") clearance to clean under furniture without complications.

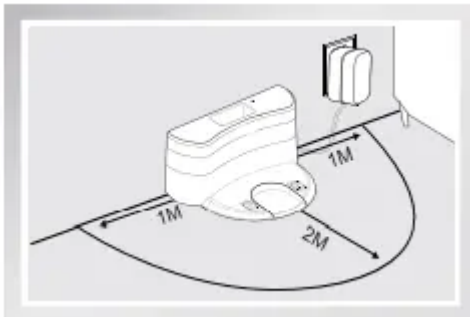
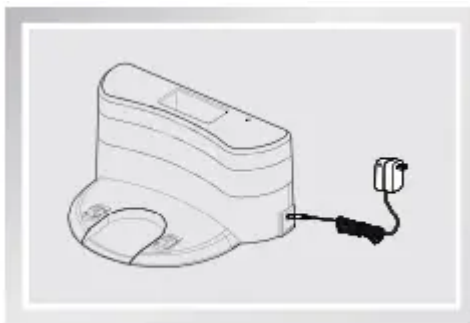


If there is a step or stairs in the cleaning area, please operate DEEBOT to ensure its Anti-Drop Sensors can detect the drop off. It may be necessary to place a physical barrier at the edge of the drop off to keep the unit from falling over the edge.

## 3.2 Quick Start

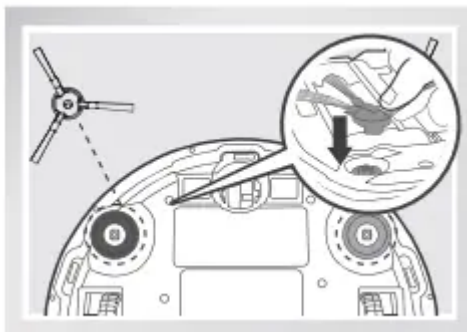
### 1. Charging Dock Placement

- Connect the Power Adapter to the Charging Dock.
- Place the Charging Dock on a level floor surface against the wall with the base perpendicular to the ground. Keep the immediate area 2m (6.6') in front of the charger and 1 m (3.3') on both sides of the charger clear of objects and reflective surfaces.
- Plug the Charging Dock in. The Power Indicator Light on the Charging Dock glows.



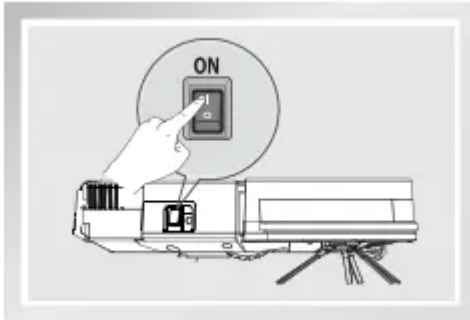
### 2. Install Side Brushes

- Attach Side Brushes to the bottom of DEEBOT by pressing a brush into each slot until it clicks.



### 3. Power ON

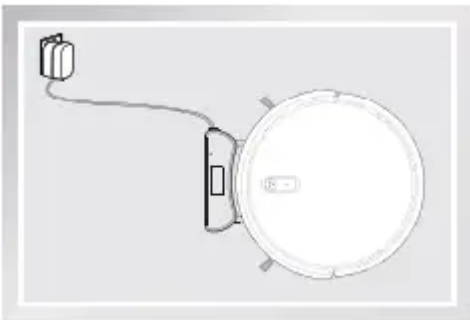
- Turn the robot's Side Power Switch to the ON position. "I" indicates ON and "O" indicates OFF. DEEBOT is powered ON when © button glows a continuous BLUE.



- When DEEBOT is not cleaning, it is suggested to keep it powered ON and charging instead of powered OFF.

### 4. Charge DEEBOT


- Place DEEBOT on the Charging Dock making sure the Charging Contacts on DEEBOT and the Charging Dock Pins make a connection.
- Charge DEEBOT for at least 4 hours before the first use.

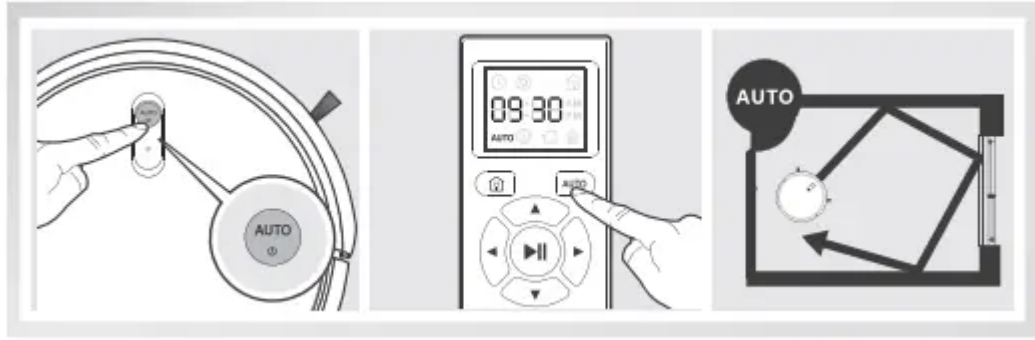


\* Make sure to turn the robot's Power Switch on before charging.

\*  button blinks when DEEBOT is charging.  button stops glowing after DEEBOT is fully charged

### 5. Start


- Press the  button on DEEBOT or the AUTO Mode Button on the Remote Control. DEEBOT starts to work immediately in AUTO Cleaning Mode.

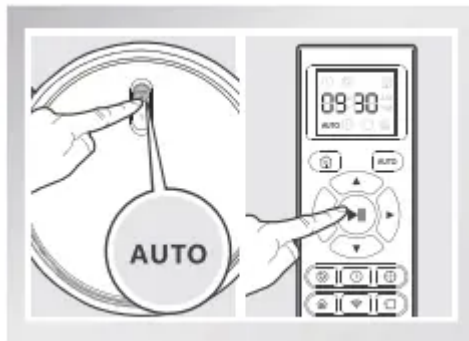


\* To choose another Cleaning Mode, please refer to section 3.3 Cleaning Mode Selection for details.

\* DEEBOT can be directed using the Direction Control Buttons on the Remote Control when it is paused.

## 6. Pause

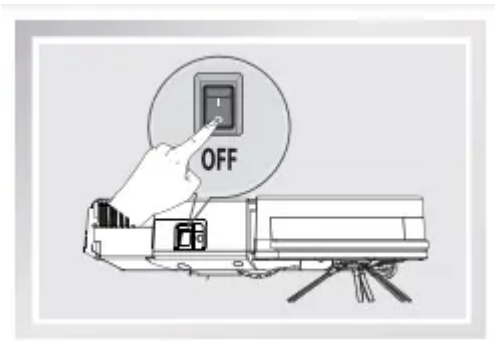
- Pause DEEBOT by pressing the  button on DEEBOT or the START/ PAUSE Button on the Remote Control.



\* The AUTO Mode Button on the robot's Control Panel stops glowing when the robot is paused for more than 10 minutes. Press AUTO Mode Button on the robot or press any button on the Remote Control to start the DEEBOT immediately.

## 7. Power OFF

- Turn the robot's Side Power Switch to the ON position. "I" indicates ON and "O" indicates OFF.




\* When DEEBOT is not cleaning, it is suggested to keep it powered ON and charging instead of powered OFF.

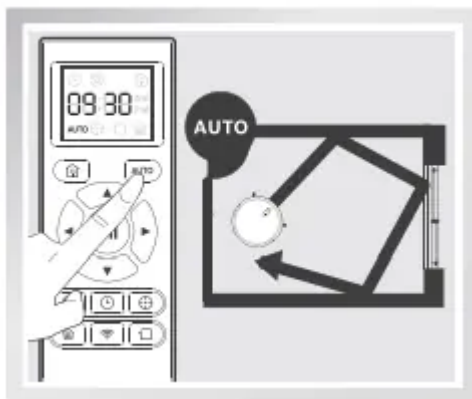
\* For models with app-connectivity, various functions can be performed using the ECOVACS App

### 3.3 Cleaning Mode Selection

DEEBOT has several cleaning modes to choose from to effectively clean different floors. Cleaning modes are selected using the Remote Control.

#### 1. AUTO Cleaning Mode

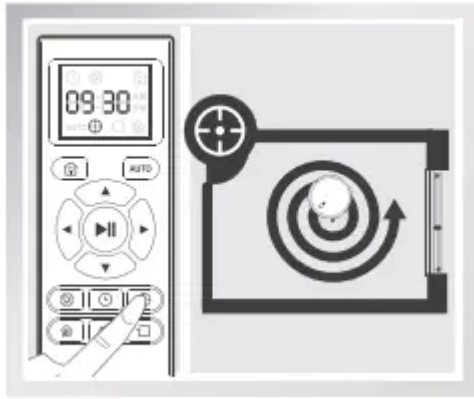
- This is the most commonly used mode. In AUTO Cleaning Mode, DEEBOT cleans in a straight line and changes direction when it meets an obstacle.
- To start AUTO Cleaning Mode, Press the  button on DEEBOT or the AUTO Mode Button on the Remote Control.



#### 2. Spot Cleaning Mode

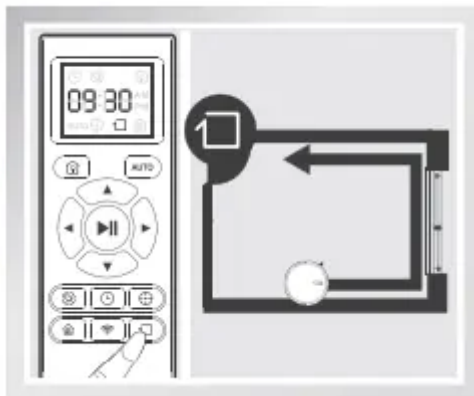
(Less than 3 minutes)

- This mode is applicable for an area of highly concentrated dirt or dust. In Spot Cleaning Mode, DEEBOT focuses on a specific area to clean. DEEBOT cleans the area in a spiral pattern using MAX suction power and stops when it completes Spot Cleaning.
- To start Spot Cleaning Mode, press Spot Cleaning Mode Button on the Remote Control



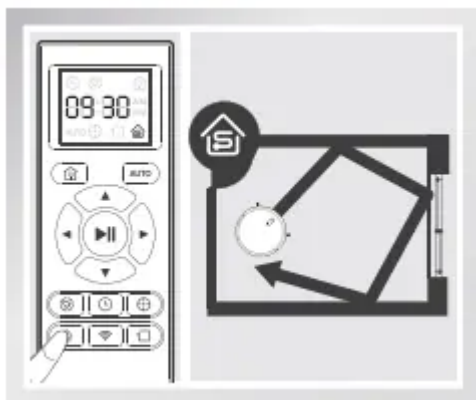
### 3. Edge Cleaning Mode

- This mode is good for cleaning the edges and corners of a room. In Edge Cleaning Mode, DEEBOT cleans along a border using MAX suction power (e.g. wall).
- To start Edge Cleaning Mode, press the Edge Cleaning Mode Button on the Remote Control



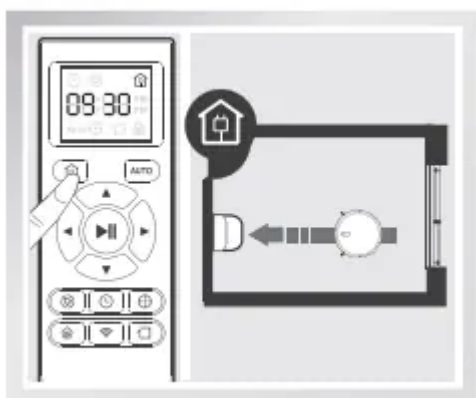
### 4. Single Room Mode

- This mode is used when DEEBOT only needs to clean a single room. To start Single Room Cleaning Mode, press the Single Room Mode Button on the Remote Control.
- \* The room must be contained for Single Room Mode to function properly. Close doors to the room entrance and exit to contain the room.
- \* Use the App to adjust the suction power of any Cleaning Mode already in process



## 5. Return to Charger Mode

- When battery power gets low, DEEBOT automatically switches to Return to Charger Mode and returns to the Charging Dock to recharge itself.
- \* DEEBOT can also be sent back to the Charging Dock at any time by pressing the Return to Charger Button on the Remote Control.




## 3.4 Programming the Robot

DEEBOT has a Time Scheduling function. DEEBOT can be programmed to automatically clean at a specific time using the Remote Control, even if nobody is at home. The current time of day and the cleaning times are scheduled using the Remote Control.


- \* All scheduled cleanings are performed in AUTO Cleaning Mode.
- \* The Remote Control uses a 12-hour clock with “AM” and “PM” indicators.
- \* DEEBOT loses the current time of day and schedule once it is powered OFF. Reset the current time of day and schedule the cleaning time when power on the DEEBOT again.
- \* It is suggested to keep it powered ON and charging instead of powered OFF.

### Set the Current Time of Day





Press  button on the Remote Control and the "hour"1 (first two digits) flashes on the Remote Control LCD Screen.




Press  button on the Remote Control to confirm and save the current time of day.




Press the up and down Direction Control Buttons  to adjust "hour" and "minute" number.  
Press the left and right Direction Control Buttons  to switch between "hour" and "minute."


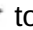
### **Schedule the Cleaning Time using Remote Control**



Press  button on the Remote Control and the “hour1’ (first two digits) flashes on the Remote Control Screen.



Press  button on the Remote Control to confirm and save the scheduled cleaning time. DEEBOT beeps. DEEBOT automatically cleans at the scheduled cleaning time every day



Press the up and down Direction Control Buttons  to adjust “hour” and “minute” number. Press the left and right Direction Control Buttons  to switch between “hour” and “minute.”



### Cancel Scheduled Cleaning Time using Remote Control

To cancel the scheduled cleaning time, press and hold  button for 3 seconds until  disappears from the Remote Control LED Screen and the robot beeps. The scheduled cleaning time is cancelled.



### 3.5 Indicator Light and Alarm Sounds

#### Indicator Light

AUTO Mode Button	Status
Flashes BLUE	The robot is charging.
Flashes RED or glows a continuous RED	The robot has a problem
Glow a continuous RED	The robot has low battery.
Glow a continuous BLUE	The robot is cleaning.

#### Alarm Sounds

If DEEBOT detects a problem, It emits alarm beeps and the AUTO Mode Button flashes RED or glows RED.

#### Flashing RED:

<b>Alarm Sound</b>	<b>Problems</b>	<b>Solution</b>
One Beep	The robot is suspended or stuck	Place the robot on an even surface, or remove the obstacles, and restart the robot.
Two Beeps	Anti-Collision Bumper Malfunction	Check the Anti-Collision Bumper for debris and remove the debris.
Three Beeps	Anti-Drop Sensors Malfunction	Clean Anti-Drop Sensors as described in section 4 Maintenance.
Four Beeps	Low Battery	Manually place the robot on the Charging Dock to charge.

**Glowing a continuous RED:**

<b>Alarm Sound</b>	<b>Problems</b>	<b>Solution</b>
One Beep	Driving Wheel malfunction	Check Driving Wheel for tangled hair or debris and clean as described in section 4 Maintenance.
Two Beeps	Side Brush malfunction	Check Side Brushes for tangled hair or debris and clean as described in section 4 Maintenance
Three Beeps	Dust Bin malfunction	Empty the Dust Bin as described in section 4 Maintenance.
Four Beeps	Main Brush malfunction	Check Main Brush for tangled hair or debris and clean as described in section 4 Maintenance.

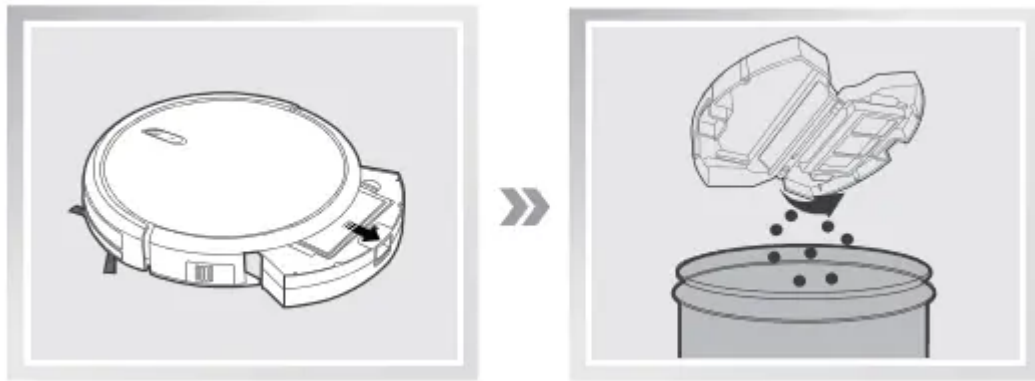


## Maintenance

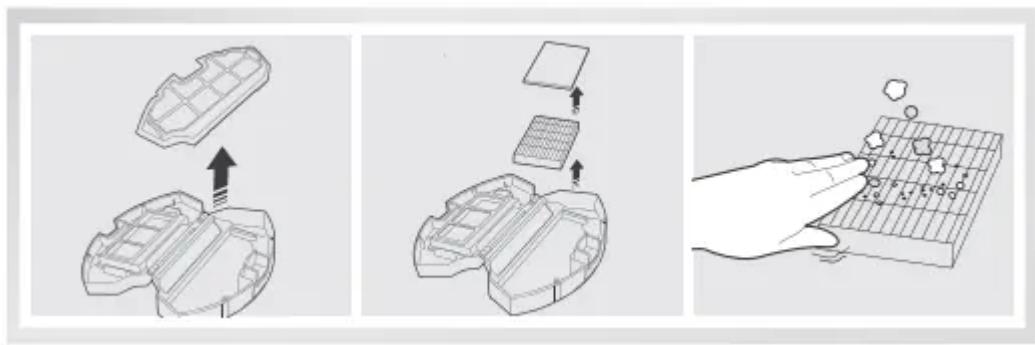
Before performing cleaning and maintenance, power OFF DEEBOT and unplug the Charging Dock.

### 4.1 Dust Bin and Filters

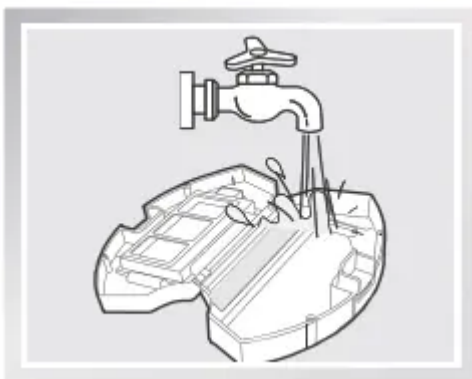
Remove the Dust Bin. Open the Dust Bin Cover and empty the Dust Bin.



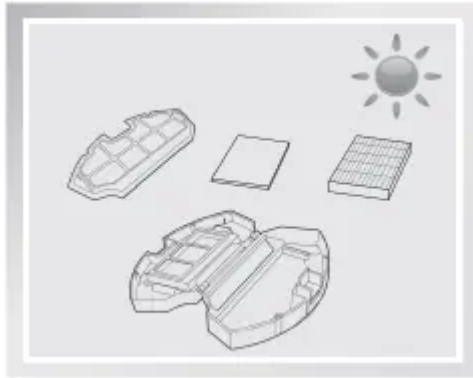
Remove the Sponge Filter and High Efficiency Filter. Pat the High Efficiency filter clean. Do not rinse the High Efficiency Filter underwater.



Rinse the Sponge Filter, Dust Bin and Filter Net under running water.



Dry the Sponge Filter, Dust Bin and Filter Net completely before reinstalling.



## 4.2 Main Brush and Side Brushes

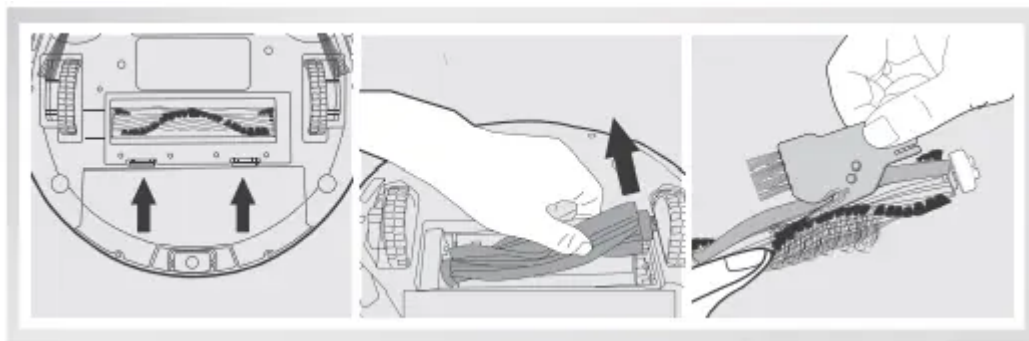
\* A Multi-Function Cleaning Tool is provided for easy maintenance. Handle with care, this cleaning tool has sharp edges.

### Cleaning the Main Brush

Turn the robot over. Push both buttons on the Main Brush Cover and remove it.

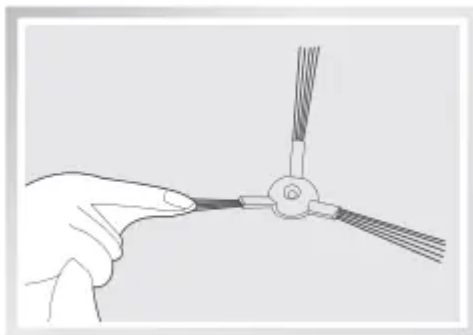
Remove the Main Brush.

Use the Multi-Function Cleaning Tool to cut off and remove any hair tangled around the Main Brush.



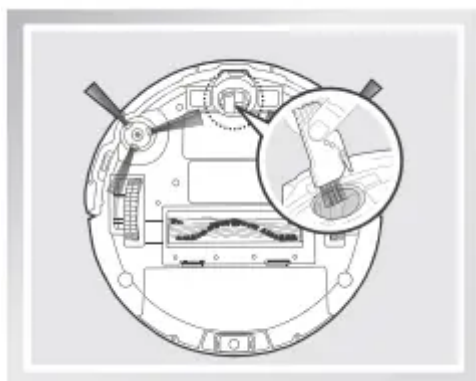
### Cleaning the Side Brushes

Remove the Side Brushes. Wipe the Side Brushes and their slots with a dry cloth.

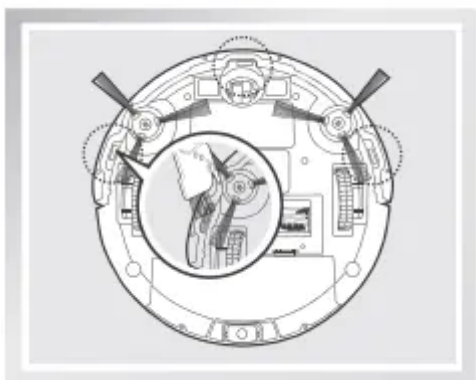


### 4.3 Other Components

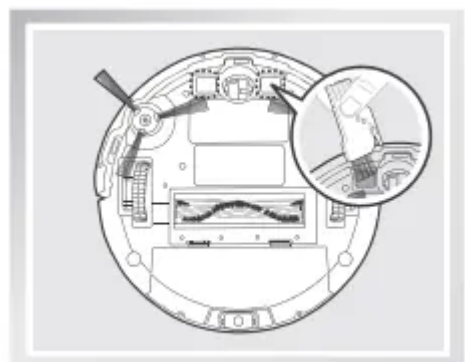
Use the Multi-Function Cleaning Tool to cut off and remove any hair tangled around the Universal Wheel.

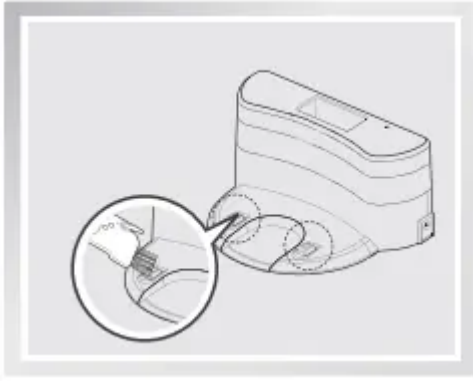


Wipe the Anti-Drop Sensors with the brush or the felt side of the Multi-Function Cleaning Tool to maintain their effectiveness



Wipe the Charging Contacts and Charging Dock Pins with the brush of the Multi-Function Cleaning Tool or a dry clean cloth to maintain their effectiveness.





#### 4.4 Regular Maintenance

To keep DEEBOT running at peak performance, perform the maintenance and replacement according to the following frequency. A multi-Function Cleaning Tool is provided for easy maintenance. Handle with care, this cleaning tool has sharp edges.

Robot Part	Maintenance Frequency	Replacement Frequency
Dust Bin	After each use	/
Side brush	Once every 2 weeks	Every 3-6 months
Main Brush	Once per week	Every 6-12 months
Sponge Filter/ High Efficiency Filter	Once per week (twice per week with pets in home)	Every 4-6 months
Universal Wheel Anti-Drop Sensors Charging Contacts Charging Dock Pins	Once per week	/

**Note:** ECOVACS manufactures various replacement parts and assemblies. Please contact Customer Service for more information on replacement parts.

## Troubleshooting

Please use this chart to troubleshoot common problems using DEEBOT

No.	Malfunction	Possible Causes	Solutions
1	DEEBOT will not charge.	DEEBOT is not powered ON	Press and hold AUTO Mode Button on DEEBOT to power ON.
		DEEBOT has not made a connection with the Charging Dock	Be sure that DEEBOT's Charging Contacts have made a connection with the Charging Dock Pins. You may move the robot manually to make the connection if necessary
		Charging Dock is unplugged while DEEBOT is powered ON, which causes battery consumption.	Plug in the Charging Dock and ensure DEEBOT is powered ON. Keep DEEBOT on the Charging Dock to make sure it has a full battery to work at any time.
2	DEEBOT gets into trouble while working and stops.	DEEBOT is tangled with something on the floor (electrical cords, drooping curtains, carpet fringe etc.).	DEEBOT will try various ways to get itself out of trouble. If it is unsuccessful, manually remove the obstacles and restart.
		Side Brush is stuck or the rotation speed of the Side Brush decreases.	Remove the debris tangled around the Side Brush. If the Side Brush still rotates slowly, contact Customer Service.
		Main Brush is stuck or the rotation speed of the Main Brush decreases.	Remove the debris tangled around the Main Brush with the provided Multi-Function Cleaning Tool. If the Main Brush still rotates slowly, contact Customer Service.



3	DEEBOT returns to the Charging Dock before it finishes cleaning	When battery power gets low, DEEBOT automatically switches to Return to Charger Mode and returns to the Charging Dock to recharge itself.	This is normal. No solution necessary
		Working time varies according to floor surface, room complexity and the selected Cleaning Mode.	This is normal. No solution necessary
4	DEEBOT will not clean automatically at scheduled time.	Time Scheduling function is cancelled.	Set Time Scheduling function as described in section 3.4.
		DEEBOT is powered OFF	Power ON DEEBOT.
		The robot's battery is low.	Keep DEEBOT powered ON and on the Charging Dock to make sure it has a full battery to work at any time.
		The robot's components are tangled with debris.	Power OFF DEEBOT, clean the Dust Bin, and invert the robot. Clean Side Brushes and the Main Brush as described in section 4.
5	Remote Control failure (effective control range of Remote Control is 5m (16')).	The batteries in the Remote Control need to be replaced	Replace with new batteries making sure they are installed correctly.
		DEEBOT is powered OFF or DEEBOT's battery is low.	Make sure DEEBOT is powered ON and fully charged.
		The infrared signal cannot be transmitted because the Infrared Emitter on the Remote Control or DEEBOT's Infrared	Use a dry cloth or the Multi-Function Cleaning Tool to wipe the Infrared Emitter on Remote Control and the Infrared Receiver on DEEBOT.



	Receiver on DEEBOT is dirty.	
	There is other equipment interfering with the infrared signal to DEEBOT.	Avoid using the Remote Control near other equipment using infrared signals

**Warning**

This content is compiled from multiple sources and is provided for reference purposes only. It may not be complete or fully applicable to all situations. If you are unable to resolve your issue, please contact the product manufacturer or an authorized service provider for official support.

