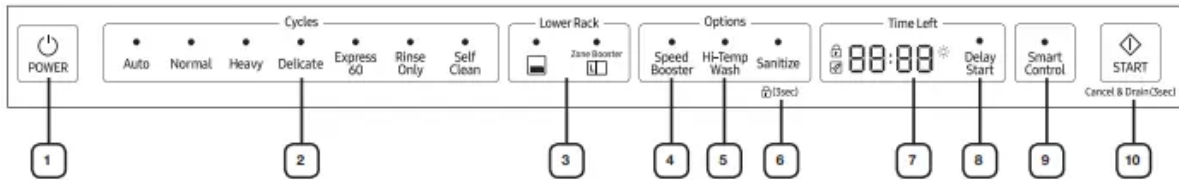


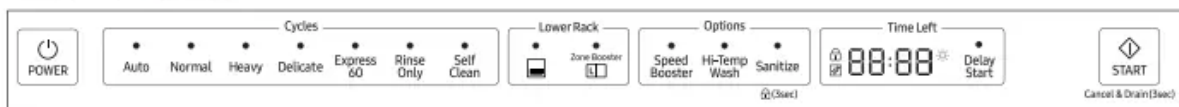
Using your dishwasher

CONTROL PANEL

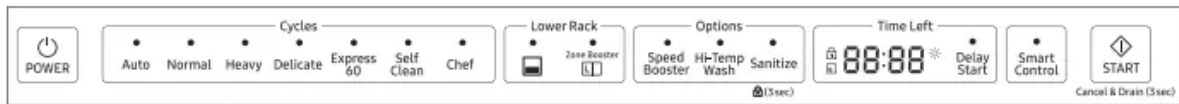
DW80M9960 Series



DW80M95** Series



DW80M9990 Series



1. Power

- When you press the Power button, the Cycle On light for the most recently started cycle turns on. When the selected cycle is complete, the dishwasher powers off automatically.

2. Cycle Selector

- Select the appropriate wash cycle depending on the soil level of your dishes. After you select a cycle, the Cycle On light for that cycle lights.
- If you want to change the cycle once it has started, press the Power button. Then, turn on the dishwasher again and select a new cycle.
- The default cycle is Normal.

3. Lower

- When you select Lower (Lower Rack - Only), only the lower rack nozzle is activated. The upper nozzle will not operate.
- Use this feature to wash a small load of dishes or glasses placed in the lower rack.
- When you select Lower (Lower Rack - Only), place items, glasses, etc. in the lower rack only. The dishwasher will not wash items placed in the upper rack.
- Selecting Lower (Lower Rack - Only) reduces both the cycle time and the amount of electricity consumed.

- If you want to wash heavily soiled items such as pots and pans, select the Zone Booster option. (This option consumes slightly more water and energy.) The Zone Booster option applies intensive washing power to the left part of the lower rack.
- Selecting the Zone Booster option does not turn off the Upper Nozzle.

4. Speed Booster

- Select this option to reduce washing time

5. Hi-Temp Wash

- Raises the main wash temperature to improve cleaning for loads containing tough, baked-on food.
- Hi-Temp Wash is not available for the Delicate and Rinse Only cycles.

6. Sanitize / Control Lock

- With the Sanitize option selected, the water temperature is increased to 163 °F (73 °C) in the final rinse cycle for high temperature sanitization.
- If you select the Sanitize option, the "Sanitize" lamp blinks when the water temperature reaches the sanitary temperature (over 155 °F (68 °C)), and then remains illuminated until the Sanitize option ends. When you open the door or press the Power button, the "Sanitize" lamp turns off .
- You cannot select the Sanitize option if you select the Delicate and Rinse Only cycles.
- The Sanitize feature operates in accordance with NSF/ANSI Standard 184 for Residential
- Dishwashers. Certified residential dishwashers are not intended for licensed food establishments. Your dishwasher is NSF Certified.
- Only the Heavy cycle with the Sanitize option has been designed to meet the requirements for soil removal and sanitization efficacy in NSF 184.
- Control Lock allows you to lock the buttons on the control panel so children cannot accidentally start the dishwasher by pressing the buttons on the panel.
- To lock and unlock the buttons on the control panel, hold the Sanitize button down for three (3) seconds when the power is On.

7. Display

- Displays cycle time and remaining hours and minutes, Delay Start hours, and Information codes. If a problem occurs during operation, an information code appears with a warning sound. Refer to the information codes page.

- Control Lock indicator
 - Turns on if the Control Lock is set (or the dishwasher is in the standby or pause modes).
 - Turns off while the dishwasher is operating.
 - When Control Lock is on, the Control Lock indicator blinks for several seconds if any button except the Power button is pressed.
- Self Clean indicator
 - Turns on when the Self Clean option is enabled (or the dishwasher is in the standby or pause modes), but turns off while the dishwasher is operating.
 - Blinks for 5 seconds every 20 to 22 cycles.
 - The cycle counter disappears when the Self Clean operation is complete or when the dishwasher reaches the 23rd cycle without the Self Clean cycle being used.
 - The Cancel or Self Clean operation is not counted by the cycle counter.)
- Rinse Refill indicator
 - Turns on if the dishwasher runs out of rinse aid (or the dishwasher is in the standby or pause modes).
 - Turns off while the dishwasher is operating.

8. Delay Start

- Delay a cycle for up to 24 hours in one-hour increments. To increase the delay start time, press or hold the Delay Start button. The hour displayed indicates the time at which the wash will start.
 - After setting the delay time, press the Start button, and then close the door to start the cycle.
 - If you want to change the delay time once the dishwasher has started, press the Cancel button and turn off the dishwasher. Then, turn on the dishwasher again and select a new cycle with a new delay setting.

9. Smart Control

- To connect the dishwasher to your smart phone, use this option. For details, see page 17.
- To connect the dishwasher to your smart phone the first time. press and hold Smart Control to start the AP mode in the dishwasher.

10. Start

- To start a cycle, press the Start button before closing the door. Cancel: To cancel a currently running cycle and drain the dishwasher, press and hold the Start button for three (3) seconds.
- Once the dishwasher is reset, select a cycle and option, and then press Start to restart the dishwasher.

You can select options (Self Clean, Lower, Speed Booster, Zone Booster, Sanitize, Delay Start) before starting a cycle. If you change the cycle after selecting an option, the original cycle is reset.

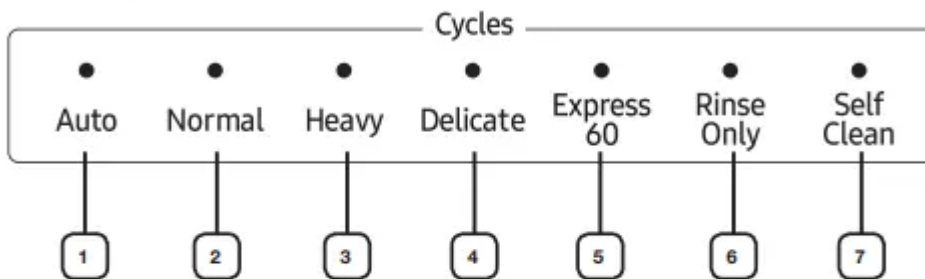
When you pause a cycle by opening the door during operation, press the Start button before closing the door to continue the cycle. Push the door closed firmly within 3 seconds of pressing the Start button. If the door is not closed within 3 seconds, the cycle will not start.

To prevent the touchpad from losing response sensitivity, follow these instructions:

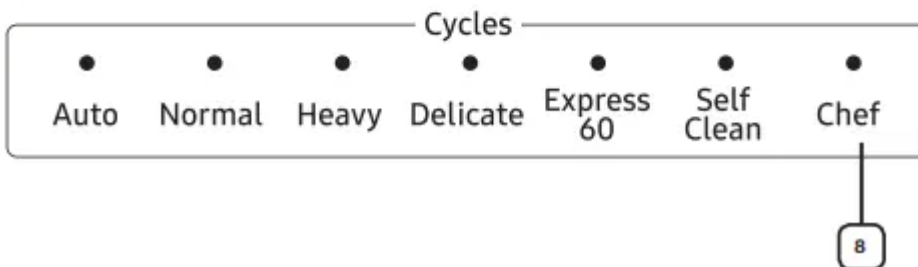
- Touch the center of each keypad using one finger. Do not push.
- Clean the touch control's surface regularly with a soft, damp cloth.
- Be careful not to touch more than one touch key pad at a time, except as directed.

CYCLE SELECTOR

DW80M9960, DW80M95** Series



DW80M9990 Series



1. Auto

- This cycle detects the level of soil and automatically initiates the optimal cycle after a few minutes of operation.

2. Normal

- Use this cycle for normally soiled dishes. The energy-usage label is based on this cycle.

3. Heavy

- Use this cycle for heavily soiled dishes.

4. Delicate

- Use this cycle for soiled, fragile items such as fine glassware and crystal glass (wine glass). Do not use this cycle for other glassware because clouding or etching may occur.
- The Zone Booster and Sanitize options are not available with this cycle.

5. Express 60

- Use this cycle when you need to wash dishes quickly. It takes about 1 hour. You cannot select the Speed Booster or Zone Booster option if you select this cycle.

6. Rinse Only (for some models)

- Use for rinsing dishes, glasses, and silverware that will not be washed right away. Do not use detergent.

7. Self Clean

- Use the Self Clean function to clean the dishwasher's tub. If the dishwasher needs self cleaning, the Self Clean indicator will blink for 5 seconds when you turn the power on. If you start the dishwasher when the indicator is blinking, the indicator will turn off automatically. Always run the
- Self Clean cycle with the dishwasher empty. Never use it as a Normal cycle to clean dishes.

8. Chef (for some models)

- Use this cycle to clean both stubborn and lightly soiled items simultaneously. Load heavily soiled items in the Zone Booster area and lightly soiled items in other areas. Make sure stubborn items are loaded in the Zone Booster area. Otherwise, they will not be cleaned well.
- For optimal performance, connect the dishwasher to a hot water source.
- Use caution when loading light-weighted items in the Zone Booster area. They can be turned over easily in the process.

Touch Controls

Touch controls allow you to operate the dishwasher easily.

- They are convenient to operate, requiring only a soft touch.
- Have a simple and stylish design.
- Are easy to clean.

If you have children or you want to clean the Control Interface, we recommend activating the Control Lock feature to lock the control buttons.

- Children will not be able to accidentally start the dishwasher by touching the controls with this option selected.
- If a cycle is running, the buttons will not respond. (except the Power button and Control Lock & Cancel options)
- If the dishwasher is off , only the Power button responds.

Delay Start

When you select the Delay Start option, your dishwasher will begin the selected cycle when the delay time expires.

The Water Reflector Interference Signal:

- The water reflector interference feature automatically detects obstacles in the tub. If it detects an obstacle, the display blinks and the dishwasher chimes for several minutes. If an obstacle is detected at the end a cycle, "0" blinks for several minutes.
- Remove any obstacles in the bottom of the dishwasher.

Auto Release™

The Auto Release™ Dry function, which is designed to improve drying performance, automatically opens the dishwasher's door 5 to 15 minutes before a cycle ends.

You can enable or disable Auto Release™ Dry in two ways: Using the Setting Mode or using the toggle keys. Both methods are described starting below.

Auto Release™ On/Off

Using Setting Mode

- To enter Setting mode, press the Delay Start + Sanitize buttons for 3 seconds while the dishwasher is on.
- Press the Sanitize button until "A1" or "A0" is displayed. "A0" disables Auto Release™ Dry. "A1" enables Auto Release™ Dry. Select "A1" for better drying results.
- Press the Delay Start button to implement your choice.

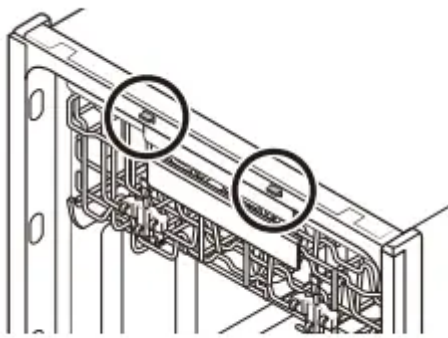
Using Toggle keys

Press the Lower+Hi-Temp Wash button for 3 seconds to enable or disable™ Auto Release Dry.

- "A0"disables Auto Release™ Dry. "A1"activates Auto Release™ Dry.
- Once the door opens in the TM Auto Release Dry mode, the door cannot be closed manually for the next 2 minutes.
- The Auto Release Dry mode will be disabled for the Rinse Only cycle

Changing the "AutoRelease™ Dry" setting can influence drying results. Select "A1" mode for better drying results. ("A1" is the default setting.)

After a cycle is complete, the door automatically opens to let steam out. This is normal and not a product malfunction.



Setting Mode

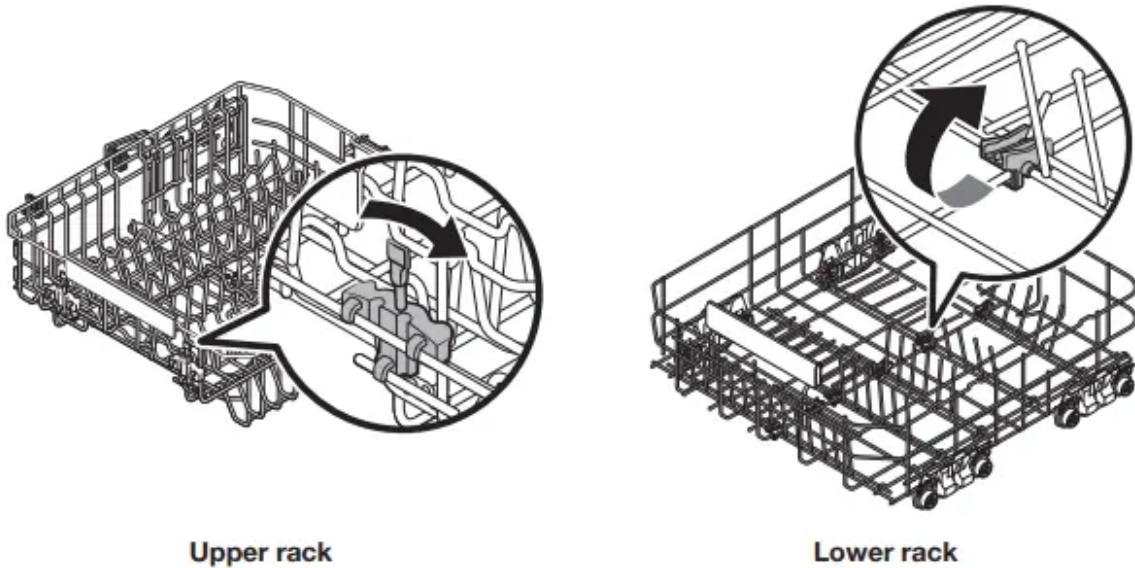
The Setting Mode lets you change the dishwasher's sound setting and LED brightness setting. To enter the Setting mode, press the Delay Start + Sanitize buttons for 3 seconds while the dishwasher is on. Press the Sanitize button to select a sub-setting menu, and then press the Delay Start button to change a setting.

- Sound Setting: Press the Sanitize button until "U1" or " U0" is displayed. To change the setting, press the Delay Start button. "U0" means that the sound is off for all cycles. The dishwasher maintains the Sound Setting you have selected until you change it.
- Pocket LED Brightness Setting: Press the Sanitize button until "B0-B5" is displayed. The higher the number, the brighter the LEDs. To change the setting on the dishwasher, press the Delay Start button.

ADJUSTING THE ANGLE OF THE PLATE SUPPORTS

You can adjust the angle of the tines in the upper rack to three different positions to match the size and shape of your dishes. To adjust the tines, grasp the handle at the back of the rack and push it left or right. See the illustration below.

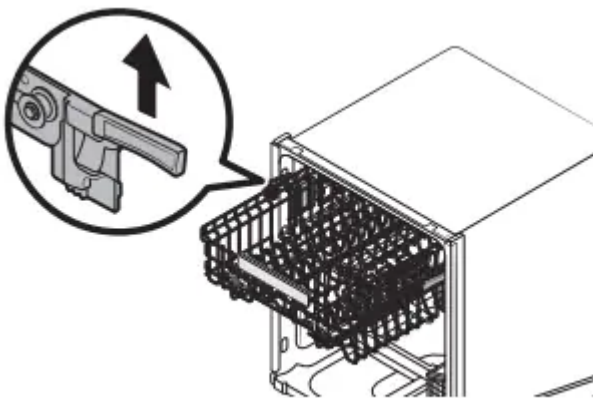
In the lower rack, you can easily remove the plate support to make room for large items such as pots and pans. To remove the plate support, lift up the handles (A). To refit the plate support, align it so it is in place, and then push down on the handles (A). To fold down the fold-down tines on the lower rack, remove the rack from the dishwasher, turn the rack over, grasp the tine (B), and then adjust it backward. See the illustration below.



ADJUSTING THE HEIGHT OF THE UPPER RACK

You can adjust the height of the upper rack in your Samsung dishwasher so that the lower rack can accommodate larger sized dishes. With the upper rack set at the highest position, the lower rack can accommodate plates up to 12 in. (30 cm) in diameter and the upper rack can accommodate plates up to 8 in. (20 cm) in diameter.

1. To lower the upper rack by 2 in. (5 cm), pull the adjustment handles located at the left and right sides of the upper rack and push the upper rack downwards slightly at the same time.



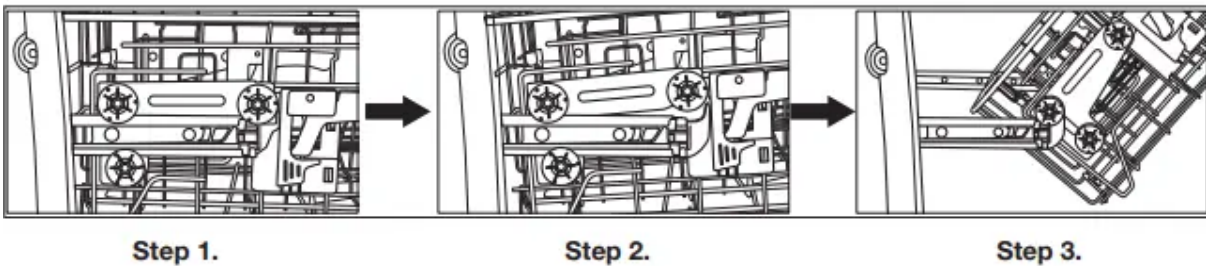
2. To raise the upper rack, just pull the upper rack upwards. The adjuster handle will latch and the upper rack will move to the high position.

We recommend adjusting the height of the upper rack before loading dishes into the rack. If you adjust the rack after loading the dishes, you may damage the dishes. v. If you do not adjust with left and right handle together, the dishwasher door may not close properly. Pull out the upper rack from the tub until it is fully revealed before adjusting the upper rack.

REMOVING THE UPPER RACK

Pull the upper rack towards the front and then remove it by lifting it up slightly and pulling it towards the front. See the illustrations below.

While the upper rack is removable, it must be installed for the dishwasher to operate properly. If you attempt to operate the dishwasher without the rack, noise will occur and the dishwasher will perform poorly.

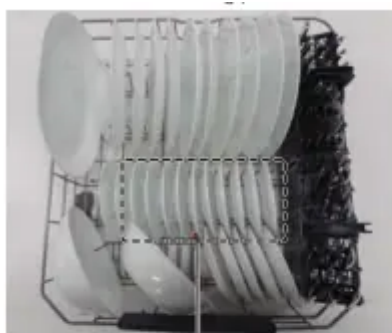


LOADING THE LOWER RACK

The lower rack has been especially designed for dinner dishes, soup bowls, plates, pots, lids, casserole dishes, and plates.

Load large items such as pans and pots into the dishwasher so their open sides face downwards. We recommend loading cups, stemware, and small plates into the upper rack.

See the recommended loading patterns below.



Dessert plate
10 place setting



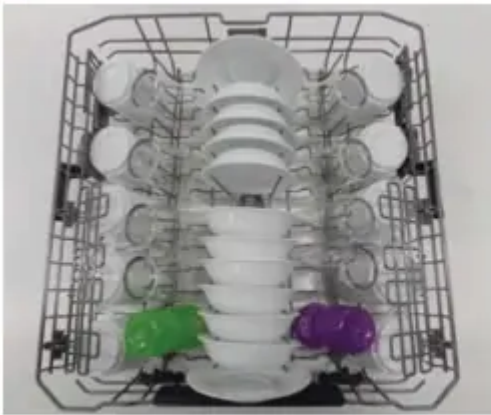
Dessert plate
12 place setting

LOADING THE UPPER RACK

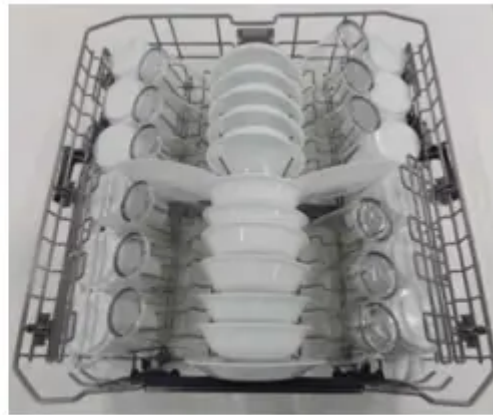
The upper rack has been designed for small plates, mugs, glasses, and plastic items marked “dishwasher safe”. Load your plates into the dishwasher in two half rows, so that the front of each plate faces the back of the plate in front of it, and the open sides of the plates at the center of the dishwasher face each other. See the illustrations below.

Make sure the loaded dishes do not interfere with the rotation of the nozzle which is located at the bottom of the upper rack. (Check this by rotating the nozzle by hand.)

When loading dishes, pull the upper rack out sufficiently so you can load it without striking the counter above.



10 place setting

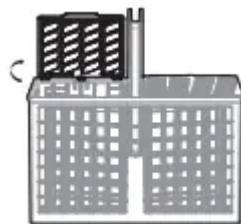


12 place setting

USING THE CUTLERY RACK

The cutlery rack consists of two compartments.

You can place each knife, spoon, or fork separately into the spoon stands in the basket's covers to



prevent chipping and discoloration.

You can use the cutlery rack with the cover open. Refer to the illustration to the right.

The spoon stands as seen from above with the suggested placement of cutlery items. Match the numbers in the diagram to the numbers in the list of cutlery items below.

USING DETERGENT

All dishwasher cycles require detergent in the detergent compartment.

Add the correct amount of detergent for the selected cycle to ensure the best performance.

Filling the detergent dispenser

1. Open the detergent dispenser flap by pushing the detergent dispenser release catch.

The flap is always open at the end of a dishwashing cycle.

2. Add the recommended amount of detergent to the main wash detergent compartment.

3. Close the flap by sliding it to the left and then pressing it down.

4. For better cleaning result, especially if you have very dirt items, pour a small amount (about 1/2 of an ounce or 15 g) of detergent onto the door.

The additional detergent will activate during the pre-wash phase.

The cover opens automatically to dispense the detergent during the wash.

The numbers inside the dispenser refer to grams.

Filling the rinse aid reservoir

When the Rinse Refill indicator lights up on the control panel, refill the reservoir with rinse aid. Your dishwasher has been designed to use liquid rinse aid only.

Using a powdered rinse aid will clog the reservoir opening and cause the dishwasher to malfunction.

Rinse aid improves the drying performance of the dishwasher.

1. Remove the rinse aid reservoir cap by rotating it counterclockwise.

2. Fill the rinse aid reservoir with rinse aid.

Use the viewing port when filling the rinse aid reservoir.

Do not fill the reservoir above the full level indicator. Excess rinse aid can overflow during the wash cycle.

3. Turn the rinse aid indicator dial to a number between 1 and 6. The higher the number, the more rinse aid the dishwasher uses. If you are unable to rotate the rinse aid dial easily, try using a coin.

4. Close the rinse aid reservoir cap by rotating it clockwise.

Cleaning and maintaining your dishwasher

Keeping your dishwasher clean improves its performance, reduces unnecessary repairs, and lengthens its life.

CLEANING THE EXTERIOR

It's best to clean spills on the outside of your dishwasher as they occur. Use a soft, damp cloth on the control panel to gently wipe away spills and dust. Do not use benzene, wax, thinner, chlorine bleach, or alcohol. These materials may discolor the inner walls and cause stains. Do not clean the dishwasher by sprinkling water over it and avoid letting water come into contact with any of the electrical parts.

If your dishwasher has a stainless steel door panel, you can clean it with a stainless steel cleaner for Home Appliances or a similar product using a clean, soft cloth.

CLEANING THE INTERIOR

Clean the interior of your dishwasher periodically to remove any dirt or food particles. Wipe the inside of the dishwasher and the inner part of the door with a wet dishcloth. We recommend filling the detergent dispenser with dish detergent, and then running the dishwasher empty periodically using either the Normal or Express 60 cycle with the sanitize option. This will keep your dishwasher clean.

If white spots and odor are still present in your dishwasher, run the Normal cycle with the dishwasher empty and without detergent until it flushes. Then, interrupt the cycle and put an 8 ounce cup of white vinegar into the lower basket. Close the dishwasher and let the cycle finish.

CLEANING THE FILTER

1. Remove the lower rack first.
2. Rotate the filter handle counterclockwise to unfasten the filter compartment door.



3. Remove the filter door, and then the cylindrical micro filter underneath.



Filter with handle



cylindrical micro filter

4. Remove any dirt or other remains from the micro filter and the filter door, and then rinse them



under running water.

5. Re-install the cylindrical micro filter, and then the filter door.

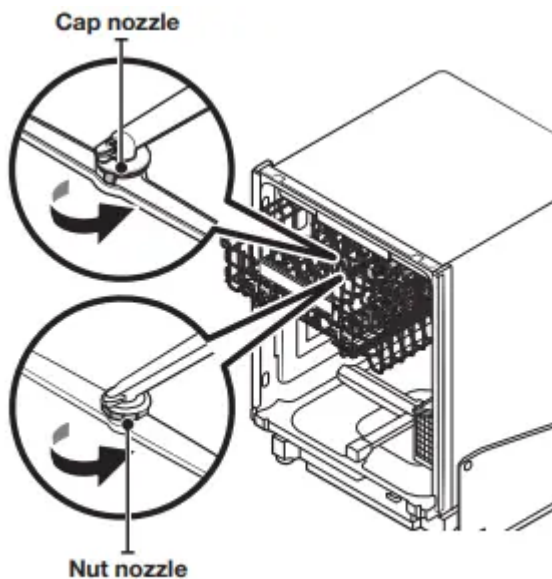
6. Rotate the filter door handle clockwise to lock the filter door.

Once a month, clean the filter for better washing performance

CLEANING THE NOZZLES

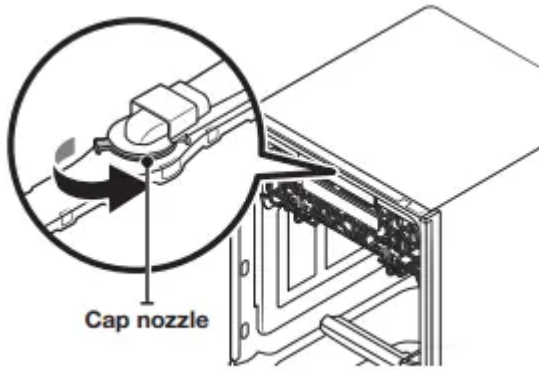
If your dishwasher does not seem to be cleaning adequately or the nozzles seem clogged, you can clean each of the nozzles. When removing the nozzles, take care as they can break.

Upper nozzle



1. Open the door, and then pull out the upper rack to reveal the upper nozzle.
2. Turn counter clockwise to remove the nozzle cap (95** series) or the nozzle nut (9990 & 9960 series), and then remove the nozzle.
3. Unclog and clean the nozzle.
4. Reinsert the nozzle, and then tighten the cap clockwise.
5. Rotate the nozzle by hand to make sure the nozzle is engaged correctly

Top nozzle



1. Check whether the nozzle holes are clogged by food particles.
2. If cleaning is needed, remove the top nozzle.
3. To remove the top nozzle, pull out the upper rack first, unfasten the nozzle cap by turning it counterclockwise, and then remove the nozzle.
4. Clean the nozzle, re-insert it, and then fasten the nozzle cap to the nozzle by turning the cap clockwise.
5. Check whether the nozzle is engaged correctly by rotating it by hand.

STORING YOUR DISHWASHER

If you need to store your dishwasher for an extended period of time, first drain and disconnect it. If you leave water in the hoses and internal components, you can damage the dishwasher.

After draining and disconnecting the dishwasher, be sure to turn off the water supply valve and circuit breaker.

Cycles

CYCLE CHART

(●: Basic, ○: Optional step)

Cycle	Pre-Wash1	Pre-Wash2	Pre-Wash3	Main wash	Rinse1	Rinse2	Rinse3
Auto	●	●	●	● 122-140 °F (50-60 °C)	●	○	
Normal	●	○	○	● 113-143 °F (45-62 °C)	●	○	
Heavy	●	●	●	● 149 °F (65 °C)	●	●	●
Delicate	●			● 122 °F (50 °C)	●	●	
Express 60				● 122 °F (50 °C)	●		
Rinse Only (for some models)					● 104 °F (40 °C)		
Chef (for some models)				● 140-163 °F (60-73 °C)	●	●	

Cycle	Last Rinse (Sanitize)	Dry	Water [gal(ℓ)]
Auto	● 136-154 °F (58-68 °C) 163 °F (73 °C)	●	4.8-6.2 (18.0-23.4 ℓ)
Normal	● 131-149 °F (55-65 °C) 163 °F (73 °C)	●	2.4-6.0 (8.9-22.9 ℓ)
Heavy	● 154 °F (68 °C) 163 °F (73 °C)	●	7.5 (28.3 ℓ)
Delicate	● 149 °F (65 °C)	●	4.5 (17.0 ℓ)
Express 60	● 140 °F (60 °C) 163 °F (73 °C)	●	2.9 (11.1 ℓ)
Rinse Only (for some models)			1.1 (4.1 ℓ)
Chef (for some models)	● 131-149 °F (55-65 °C) 163 °F (73 °C)	●	3.9 (14.7 ℓ)

- The temperatures (°F and °C) in the Last Rinse column represent the water temperature when you select Sanitize.
- When you select the Auto or Normal cycle, you can eliminate optional steps depending on the soil level of the dishes.
- The water consumption and wash time varies depending on the steps or options you add, and on the pressure and temperature of the supplied water.

- When the Rinse Aid is empty, wash time and Last Rinse temperature can increase a little.

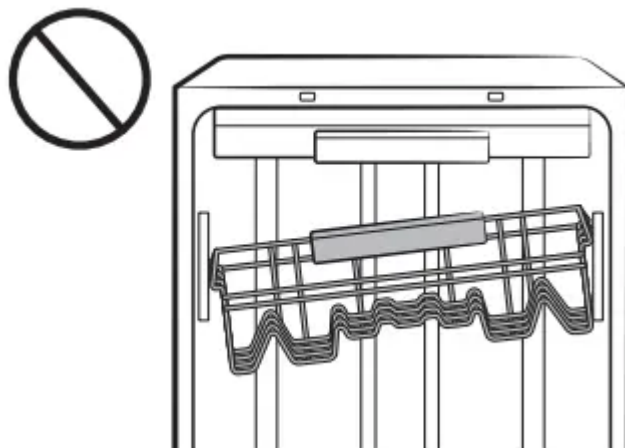
Troubleshooting

CHECK THESE POINTS IF YOUR DISHWASHER...

Will not start.

The door is not closed completely.

- Check if the door is latched and closed completely. Check whether the Upper Rack is properly joined with Duct Nozzle. Also, check if the Upper Rack is crooked or



unbalanced.

No cycle is selected.

- Select a proper cycle.

The power cable is not connected.

- Connect the power cable properly.

The water supply does not work.

- Check if the water supply valve is open.

The Control Panel is locked.

- Unlock the child lock, (See page 11.)

A circuit breaker is open.

- Reset the circuit breaker

It's taking too long with an operation or cycle.

The dishwasher is connected to a cold water supply

- Check if the water supply line is connected to a hot water supply. To work properly, the dishwasher must be connected to a hot water supply. (If connected to a cold water supply, additional time is required to heat the cold water.)

There are food particles remaining on dishes. (Not cleaning properly.)

You selected an inappropriate cycle.

- Select a cycle according to the number and soil level of the dishes, as directed in this manual.

The water temperature is low.

- Connect the water supply line to a hot water supply. For best performance, the temperature of the supplied water should be 120 °F (49 °C).

Low water pressure.

- The water pressure should be between 20 and 120 psi (140 - 830 kPa).

The water is too hard.

- Use a commercial dishwasher cleaner. Use high-quality, fresh detergent with rinse aid. Clean the filter at least once per month. (See page 29.) Use a water softener additive designed for dishwashers.

Dishwasher detergent was not used.

- Use automatic dishwasher detergent.
- We recommend a powder or gel type dishwasher detergent.

Detergent remains in the dispenser.

- Make sure large items such as cookie sheets, cutting boards, or containers, etc. are not blocking the detergent dispenser and preventing it from opening properly.
- Rearrange the dishes so they do not interfere with detergent dispenser operation.

There is no rinse aid.

- Check the dispenser and add rinse aid. Use liquid type rinse aid.

A nozzle is clogged.

- Clean the nozzle. See page 27 and 28.

The dishes are improperly loaded. Too many dishes have been loaded.

- Rearrange the dishes so they do not interfere with nozzle rotation and detergent dispenser operation.
- Load only an appropriate number of dishes.
- Load your dishes as recommended. (See page 21.)

- Load the heavily soiled items onto Zone Booster area. (See page 24)

Filter could be clogged. (Food soils remain on the filter.)

- Scrape food from dishes prior to loading. (Do not pre-rinse.) Clean the filter. (See page 29.)

Leaves glasses with a dim polish.

The water supplied is soft and too much detergent was used.

- Underload the dishwasher and use a rinse aid to minimize this.

Aluminum dishes were included in the wash load.

- Remove the marks on the dishes using a low sensitivity cleaner.

Leaves a yellow or brown film on the inside of the dishwasher.

This is caused by coffee and tea soils.

- Remove the soils using a spot cleaner.

Does not dry dishes well.

There is no rinse aid in the dispenser.

- Check the dispenser and add rinse aid. Use a liquid type rinse aid.

The temperature of the water is low when the dishwasher is running.

- Connect the water supply line to a hot water supply.
- Use rinse aid with the Sanitize option.

Too many dishes have been loaded.

- Proper loading of items can affect drying. Load your dishes as recommended. (See page 21.)

Glasses and cups with concave bottoms hold water. This water may spill onto other items when unloading.

- After the cycle finishes, empty the lower rack first and then the upper rack. This will prevent water from dripping from the upper rack onto the dishes in the lower rack.

AutoRelease™ Dry mode is not in use.

- Turn Auto Release™ Dry on. Press the Lower + Hi-Temp Wash button for 3 seconds to access the Auto Release™ menu. Select "A1" to activate Auto Release™ Dry.

Has a bad odor.

Water was left over from an incomplete cycle.

- Insert detergent without loading dishes, and run the Normal cycle to clean the dishwasher.

The Drain Hose is obstructed.

- Contact a qualified service technician to remove any obstruction from the drain hose.

The dishwasher is not used daily or soiled dishes are left in unit too long.

- With the dishwasher empty and no detergent, place a glass with 8 ounces of vinegar upright into the lower rack, and then run a Normal cycle.

Is too noisy.

Sound is generated when the dispenser cover is open and the drain pump is operating in an early stage.

- This is normal operation.

The dishwasher is not level.

- Ensure the dishwasher is level.

Foreign material (a screw, a plastic piece) is in the pump chamber.

- Contact a qualified service technician to remove foreign material from the pump chamber.

There is a 'chopping' sound because a nozzle is bumping against the dishes.

- Rearrange the dishes.

Does not have a smoothly rotating nozzle.

The nozzle hole is clogged with food particles.

- Clean the nozzle hole. See page 27 and 28

The nozzle is blocked by a dish or pot and cannot rotate.

- After placing the dishes into the racks, rotate the nozzles by hand to check whether any of the dishes interfere with them.

Water won't pump out of the dishwasher.

The drain is clogged.

- Clean the drain pump by removing the drainpump cover. (See page 30.)

Has a bent upper rack after loading dishes.

The dishes are not loaded properly.

- Load your dishes as recommended. (See page 21.)

Cannot close the door.

AutoRelease™ Dry mode is in operation.

- Once the door opens in the AutoRelease™ Dry mode, the door cannot be closed manually for the next 2 minutes. You may close the door after 2 minutes.



Cannot close the door.

Auto Release™ Dry mode is in operation.

- Once the door opens in the Auto Release™ Dry mode, the door cannot be closed manually for the next 2 minutes. You may close the door after 2 minutes.

Cannot start Smart Control.

The device registration is not finished.

- Finish the device registration. (See page 17.)

The door is not closed within 3 seconds of pressing Smart control.

- Push the door closed firmly within 3 seconds of pressing Smart Control.

INFORMATION CODES

The Control Panel displays information codes to help you understand what is occurring with your dishwasher

LC

Leakage check

- If a water supply valve connection leak occurs, close the water supply valve and go to your house circuit breaker panel, set the dishwasher's circuit breaker switch to off, and then contact the installer to fix. If the problem continues, contact an authorized Samsung service center.

4C

Water supply check

- Check if the water supply valve is closed, the water supply is suspended, or the water inlet valve or line is frozen or clogged by foreign particles. If the problem continues, close the water supply valve, and then contact an authorized Samsung service center.

5C

Drain check

- After closing the water supply valve, check whether the drain hose is clogged or folded. Also, check whether drain hole inside sump is clogged. If the problem continues, contact an authorized Samsung service center.

HC

High temperature heating check

- The product ensure that the temperature for hot water line is not too high and adjusts to appropriate temperature (120 °F (49 °C) - 149 °F (65 °C)) automatically. If the problem

continues, go to your house circuit breaker panel, set the dishwasher's circuit breaker switch to off, and then contact an authorized Samsung service center.

3C

Pump operation check

- Functional check. Turn off the dishwasher and try to start it again. If the problem continues, contact an authorized Samsung service center.

PC

Zone wash function check.

- Functional check. Turn off the dishwasher and try to start it again. If the problem continues, contact an authorized Samsung service center.

AP

Connect with smart phone.

- When the control panel displays AP, press and hold Smart Control on the control panel to connect your dishwasher with your smart phone.

APPENDIX

HELPING THE ENVIRONMENT

- Your dishwasher is manufactured from recyclable materials. If you decide to dispose of it, please observe local waste disposal regulations. Cut off the power cable so that the appliance cannot be connected to a power source.
- Remove the door so that animals and small children cannot get trapped inside the appliance.
- Do not exceed the detergent quantities recommended in the detergent manufacturers' instructions.

Warning

This content is compiled from multiple sources and is provided for reference purposes only. It may not be complete or fully applicable to all situations. If you are unable to resolve your issue, please contact the product manufacturer or an authorized service provider for official support.