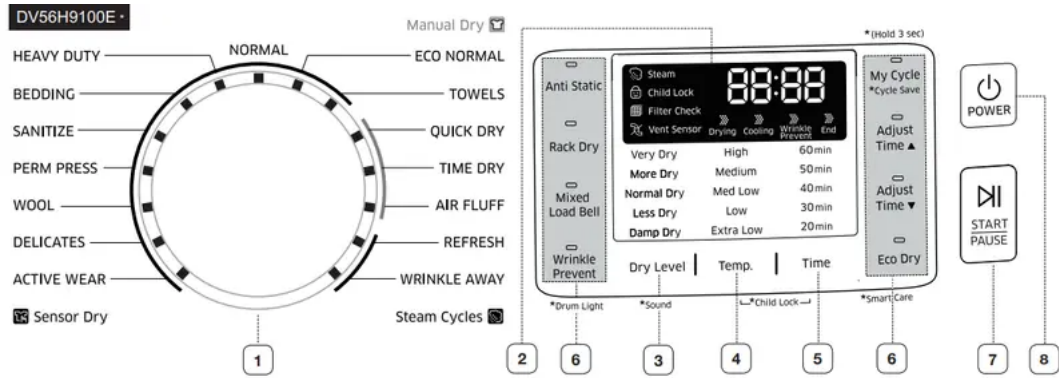


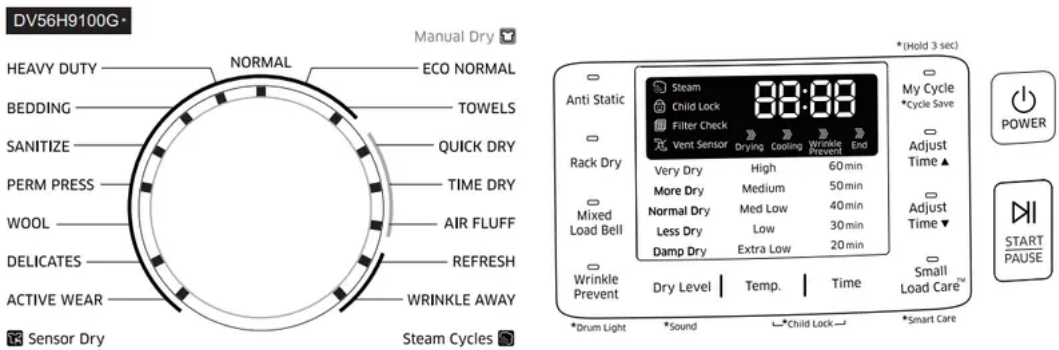
Operating instructions

Overview of the control PANEL

DV56H9100E *



DV56H9100G*



1. Cycle Selector

To select a cycle, rotate the Cycle Selector dial to the desired cycle. The indicator light by the cycle name will illuminate. The NORMAL, HEAVY DUTY, BEDDING, SANITIZE, PERM PRESS, WOOL, DELICATES, ACTIVE WEAR, ECO NORMAL, and TOWELS cycles are Sensor Dry cycles. Sensor Dry automatically senses the moisture in the load and shuts the dryer off when the load reaches the dryness level you have selected with the Dry Level Selection Button (see below).

ECO NORMAL - For reducing energy usage. This cycle adjusts cycle time and temperature for increased efficiency.

NORMAL - The normal cycle is for most fabrics including cotton, linens, and normally soiled garments. (If this cycle is selected, the Eco Dry function is enabled by default. For more information, please refer to the descriptions about the "Eco Dry" option.) **HEAVY DUTY** - Use this cycle to get high heat for heavy fabrics such as jeans, corduroys, or work clothes.

BEDDING - For bulky items such as blankets, sheets and comforters.

SANITIZE - Sanitizes garments by infusing high temperature heat deep into the fabric during the drying cycle. Use this cycle to keep your bedding and curtains clean through sanitization.

PERM PRESS - Dry wrinkle-free cottons, synthetic fabrics, knits, and permanent press fabrics automatically.

WOOL - For machine washable and tumble dryable wool only.

DELICATES - The DELICATES cycle is designed to dry heat-sensitive items at a low drying temperature.

ACTIVE WEAR - The ACTIVE WEAR cycle is for exercise wear and outdoor wear such as sports jerseys, training pants, water-repellent jackets and other performance clothing. Thick fabrics like a zipper or velcro closure of a jacket, or training socks may not be completely dried.

TOWELS - To dry bath towels and similar items.

QUICK DRY - Provides a 30 minute drying cycle.

TIME DRY - The TIME DRY cycle allows you to select a cycle time in minutes. (If this cycle is selected, the Eco Dry function is enabled by default. For more information, please refer to the descriptions about the "Eco Dry" option.)

AIR FLUFF - The AIR FLUFF cycle tumbles the load in room temperature air.

REFRESH - This cycle is best for smoothing out wrinkles and reducing odors from loads consisting of one to four dry items. In this cycle a small amount of water is sprayed into the dryer drum after several minutes of tumbling with heat. Confirm that the laundry load is dry.

	<p>WRINKLE AWAY - Removes wrinkles from clothes stored in closets, etc. It provides wrinkle release via optimized steam care. For best results, load 2-3 items at once. You can extend the drying time by a minimum of 20 minutes , depending on the item type or load. Confirm that the laundry load is dry.</p>
2.Digital Graphic Display	<p>The display window shows the estimated time remaining in the cycle after you have pressed the Start/Pause button. The estimated time remaining may fluctuates as the cycle progresses. The Drying light will illuminate and remain lit until the cycle is complete. When your dryer is in the cool-down phase, the Cooling light will illuminate. When your dryer is in the wrinkle prevent phase, the Wrinkle Prevent light will illuminate. When the cycle is complete, “End” will appear in the display panel until you push the Start/Pause button or the power button. If your dryer is paused during a cycle, the indicator lights will blink until you press the Start/Pause button.</p>
3.Dry Level Selection Button	<p>To select the dry level in the NORMAL, HEAVY DUTY, or other Sensor Dry cycles except SANITIZE, WOOL and ACTIVE WEAR press the Dry Level button. An indicator light will illuminate next to the desired dryness level. Press the button repeatedly to scroll through the settings. Larger or bulkier loads may require the Very Dry or More Dry setting for complete dryness. The Less Dry setting is best suited for lightweight fabrics or for leaving some moisture in the clothing at the end of the cycle. Damp Dry is designed to partially dry items. Use for items that lay flat or hang to dry</p>
4.Temp. Selection Button	<p>To select the temperature for the load, press the Temp. button. An indicator light will illuminate next to the temperature you selected. Press the button repeatedly to scroll through the settings.</p> <p>High - For sturdy cottons or those labeled Tumble Dry.</p> <p>Medium - For permanent press, synthetics, lightweight cottons, or items labeled Tumble Dry Medium.</p> <p>Med Low - For heat lower than Medium. Use to dry synthetic or washable knit fabrics.</p> <p>Low - For heat sensitive items labeled Tumble Dry Low or Tumble Dry Warm.</p> <p>Extra Low - Provides the lowest heated drying temperature possible.</p>
5.Time Selection Button	<p>When using Manual Dry cycles, you can adjust the drying time by pressing the time selection button. During the Sensory Dry cycle, the time light indicator is off because exact drying times are determined by fluctuating humidity levels. Therefore, the actual drying time may differ from the displayed time.</p>



<p>6.Select Cycle Option</p>	<p>Anti Static - To reduce statics by clothing friction and spray steam at the later period of drying cycle. It is only available with: NORMAL, HEAVY DUTY, PERM PRESS, DELICATES (Dry level of every cycle exceeds Normal) and TIME DRY cycle.</p> <p>Rack Dry - Rack Dry is available in the TIME DRY cycle. Temperature will be set to Extra Low only. (Refer to the “Rack Dry” section on page 25.)</p> <p>Mixed Load Bell - The mixed load bell that notifies you when the average dry level in a load is damp dry (80% dried). This lets you take garments that you don’t want fully dried or that dry quickly out of the dryer early while letting others continue to dry. You can select this function in all Sensor Dry cycles except WOOL, SANITIZE and ACTIVE WEAR. The dry level selections are limited to Normal Dry, More Dry, and Very Dry.</p> <p>Wrinkle Prevent - Wrinkle Prevent provides approximately 180 minutes of intermittent tumbling in unheated air at the end of the cycle to reduce wrinkling. Press the Wrinkle Prevent button to activate this feature. The indicator light above the pad will illuminate when Wrinkle Prevent is selected. The load is dry, and can be removed at any time during the Wrinkle Prevent cycle.</p> <p>My Cycle - Choose your favorite cycle including cycle, temp, dry level option, etc. (Refer to the “My cycle” section on page 26.)</p> <p>Adjust Time - Time can be added or subtracted from the automatically set times in the Manual Dry cycles (TIME DRY, QUICK DRY, or AIR FLUFF cycles) and WRINKLE AWAY cycle. To add or subtract time from the cycle, press the Adjust Time arrow pad up or down until the desired time is displayed.</p> <p>Small Load Care™ (Gas model Only) - To control the operation rate for drying a small load in the Sensor Dry cycle. It is only available with: NORMAL, HEAVY DUTY, PERM PRESS and DELICATES cycle. It can’t be selected/cancelled when the drying cycle is running. In order to improve drying effect and control operation rate, the drum can be paused during operation.</p> <p>Eco Dry (Electric model Only) - This function is available in the NORMAL, and TIME DRY cycles. When the Eco Dry function is activated, drying takes longer but the power consumption is reduced. (When the Eco Dry function is enabled, the drying time can be extended up to 3 times depending on the specified temperature and the amount of laundry to be dried. When the product is shipped, the Eco Dry function is set to On by default.)</p>
<p>7.Start/ Pause selection button</p>	<p>Press to pause and restart programs</p>



8.Power button	Press once to turn your dryer on, Press again to turn it off. If you turn your dryer on and do not touch any buttons for 10 minutes, the power automatically turns off.
----------------	---

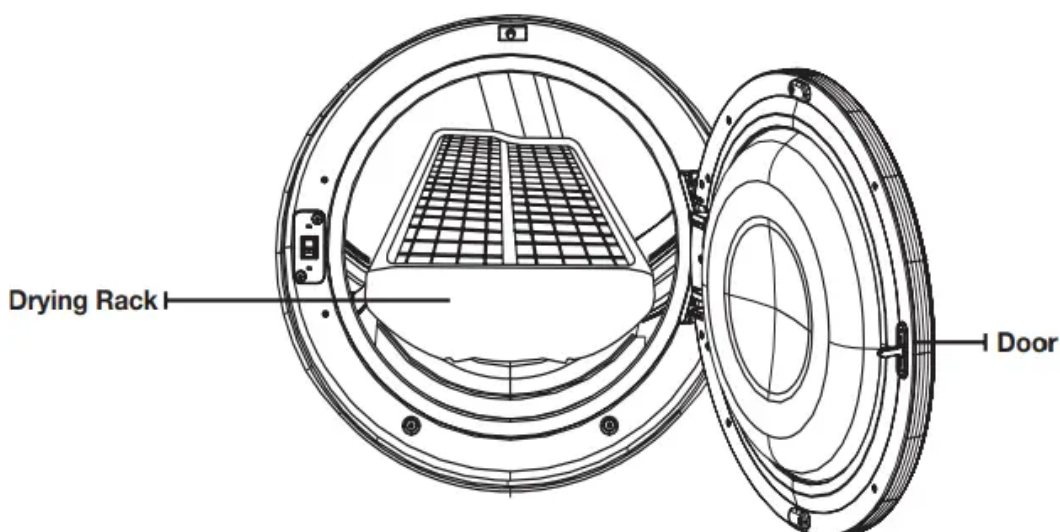
RACK DRY

Using the drying rack

1. The drying rack is installed in the drum at in default state.
2. When using this dryer for the first time, remove the drying rack from the drum. Pull upwards vertically and take the drying rack out of the drum. Remove the package and keep it properly stored.
3. When you need to use drying rack, refer to the following steps for installation.

Installing the drying rack

1. Open the dryer door.
2. Place the Drying Rack inside the product, and then align the holes of the filter handle of the Drying Rack to the front projections.
3. Place the rear legs in the two recessed areas of the dryer's back wall, and then push down the middle of the drying rack to fix it in place.
4. Place the items to be dried on the rack, leaving space between them so air can circulate.
5. Close the dryer door.
6. Press the RACK DRY button in Time Dry cycle, and then select the time according to the moisture and weight of item.



My Cycle

Allows you to activate your custom dry (Cycle, Dry Level, Temp) with one button convenience. Press the My Cycle button to load and use the saved My Cycle options. The “My Cycle” light will indicate activation. Also, the chosen course and option lights will flicker. You can set options as follows in the My Cycle mode.

1. Press the Power button.
2. Select cycle using the Cycle Selector.
3. After cycle selection, set each option (Dry Level, Temp, Time)
4. You can then store the selected cycle and options by pressing and holding the My Cycle button for longer than 3 seconds in My Cycle mode. The cycle and options you select will be displayed the next time you choose the My Cycle function.

Drum Light

Lights the dryer drum while the dryer is running.

Turning On and Off

Press and hold the Wrinkle Prevent button for 3 seconds or more.

Sound

The Sound Off function can be selected during all cycles.

Activating

If you want to activate the Sound Off function, press the Dry Level button at the same time for 3 seconds.

Deactivating

If you want to deactivate the Sound Off function, press the Dry Level button at the same time for 3 seconds again.

Child lock

Prevents children from playing with your dryer.

Setting/Releasing

If you want to set or release the Child Lock, press the Temp. and Time buttons simultaneously for 3 seconds.

Child Lock Details

- You can turn Child Lock on while your dryer is running.
- Once you turn Child Lock on, no button, except for the power button, will respond until you turn off the Child Lock function.
- The Child Lock indicator will be lit.

Smart Care

This function enables you to check the status of the dryer using a smartphone.

1. To enable the Smart Care function, press the power button to turn the dryer on and then press and hold the Time button for 3 seconds. If you press a button other than the Time button after turning the dryer on, you will not be able to activate the Smart Care function.

- The error code history is deleted after using the function.

2. If the Smart Care function is activated, the Smart Care indicator is lit on the display.

3. Run the Smart Care app on your smart phone.

- GalaxyS, GalaxyS2, GalaxyS3, GalaxyS4, GalaxyS2(HD), Galaxy Note, Galaxy Note2, Galaxy Note3 (Other devices may not be normal operation). Supported operating system: Android 2.2 or higher.

- iPhone 3 G S, iPhone 4/4S, iPhone 5/5S. Supported operating system : OS 4.3 or higher.

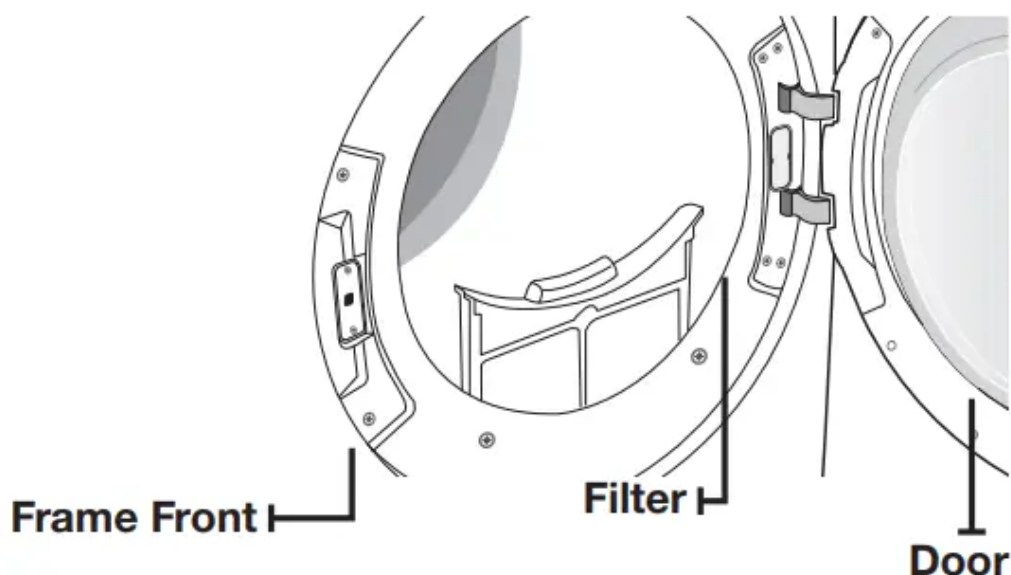
4. Focus the smart phone's camera on the display panel of the dryer.

5. If the smart phone's camera is focused on the display panel of the dryer, the panel and error message is automatically recognized and the error type and countermeasures are displayed on the smart phone.

6. If the smartphone fails to recognize the error code more than twice, please enter the error code displayed on the display panel of the dryer manually into the Smart Care app.

Clean the lint filter

- After or before each load.
- To shorten drying time.
- To operate more energy efficiently



Load the dryer properly

- Place only one washload in your dryer at a time.
- In mixed loads, heavy and lightweight fabrics will dry differently. This may result in lightweight fabrics being dry while heavy fabrics remain damp at the end of a drying cycle.
- Add one or more additional similar items to your dryer when you are drying only one or two items. This improves the tumbling action and drying efficiency.
- Overloading restricts tumbling action, resulting in uneven drying as well as excessive wrinkling of some fabrics.

Getting started




1. Load your dryer loosely – DO NOT overload.
2. Close the door.
3. Select the appropriate cycle and options for the load (See pages “Cycle Chart”).
4. Press the Start/Pause button.
5. The dryer indicator light will illuminate.
6. The estimated cycle time will appear in the display. The time may fluctuate as humidity levels fluctuate in the dryer.

VENT SENSOR

Your Samsung dryer is equipped with a Vent Sensor, which detects and notifies you when it is time to clean the ductwork. Keep your dryer safe and efficient by cleaning the ducts when prompted.

The Vent Sensor detects any duct blockages

You can figure out whether there is a duct blockage from the “Vent Sensor ” lamp of the digital display

Level	Message	Status	Solution
0	The “Vent Sensor  lamp is turned off.	The ductwork is free from blockages.	
1	The “Vent Sensor  lamp illuminates.	When a part of the duct or the lint filter is blocked by lint or a foreign object. When the resistance is high because the duct is too long or bent.	Check the duct connection and shorten the duct and straighten it if necessary. Check the lint filter or the duct and clean it if necessary
2	The “Vent Sensor  lamp blinks.	When the duct is blocked by lint or a foreign object. When the resistance is very high because the duct is too long or bent excessively	Check the duct connection and shorten the duct and straighten it if necessary. Check the lint filter or the duct and clean it as soon as possible.

In the LEVEL 2 state, this lamp blinks for 3 hours after the completion of the cycle. (If the wrinkle prevention function is activated, this message is displayed for up to 3 hours.) If the power button is pressed or the door is opened, the power is immediately turned off

Care and cleaning

Control Panel

Clean with a soft, damp cloth. Do not use abrasive substances. Do not spray cleaners directly on the panel. The control panel finish may be damaged by some laundry pre-treatment soil and stain remover products. Apply such products away from your dryer and wipe up any spills or overspray immediately.

Tumbler

Remove any stains from the tumbler caused by crayon, ink, fabric dye (from new items such as towels or jeans) and so on with an all-purpose cleaner. Tumble old towels or

rag to remove any remaining stain or cleaning substance. Once these steps are followed, stains may still be visible, but should not transfer to subsequent loads.

Powder Coated Tumbler

To clean the powder-coated tumbler, use a damp cloth with a mild, non-abrasive cleaner suitable for easily marred surfaces. Remove cleaner residue and dry with a clean cloth.

Dryer Exterior

Clean with a soft, damp cloth. Do not use abrasive substances. Protect the surface from sharp objects. Do not place any heavy or sharp objects or a detergent box on the dryer. They can scratch or damage the top cover of the dryer. Keep these items in the separately purchased pedestal or in a separate storage box. The entire dryer has a high-gloss finish. Avoid scratching or damaging the surface when using the dryer.

Dryer Exhaust System

Inspect and clean the dryer exhaust system yearly to maintain optimum performance. The outside exhaust hood should be cleaned more frequently to ensure proper operation.

Special laundry tips

Special laundry tips

Please follow the care label or manufacturer's instructions for drying special items. If care label instructions are not available, use the following information as a guide.

Bedspreads & Comforters	<ul style="list-style-type: none"> • Follow the care label instructions or dry using the Bedding cycle. • Make sure the item is thoroughly dry before using or storing. • May require repositioning to ensure even drying.
Blankets	<ul style="list-style-type: none"> • Use the Normal cycle and dry only one blanket at a time for best tumbling action. • Make sure the item is thoroughly dry before using or storing.
Curtains & Draperies	<ul style="list-style-type: none"> • Use the Perm Press cycle and medium temperature to help minimize wrinkling. • Dry these in small loads for best results and remove as soon as possible.
Cloth Diapers	<ul style="list-style-type: none"> • Use the Normal cycle and the High temperature settings for soft, fluffy diapers.
Down-filled Items (jackets, sleeping bags, comforters, etc.)	<ul style="list-style-type: none"> • Use the Normal cycle and medium temperature setting. • Adding a couple of dry towels shortens drying time and absorbs moisture.
Foam Rubber (rug backs, stuffed toys, shoulder pads, etc.)	<ul style="list-style-type: none"> • DO NOT dry on a heat setting. Use the Air Fluff cycle • WARNING – Drying a rubber item with heat may damage it or create a fire hazard.
Pillows	<ul style="list-style-type: none"> • Use the Normal cycle. • Add a couple of dry towels and a pair of clean sneakers to help the tumbling action and to fluff the items. • DO NOT dry kapok or foam pillows in the dryer. You can dry these items in the dryer only if you use the Air Fluff cycle.



Plastics (shower curtains, outdoor furniture covers, etc.)	<ul style="list-style-type: none">• Use the Air Fluff cycle or the Time Dry cycle and the Low or Extra Low temperature settings depending on the care label instructions.
--	---

THINGS TO AVOID PUTTING IN THE DRYER :

- Fiberglass items (curtains, draperies, etc.).
- Woolens, unless recommended on the label.
- Items spotted or soaked with vegetable or cooking oils.

Troubleshooting

Check these points if your dryer...

PROBLEM	SOLUTION
Doesn't run.	<ul style="list-style-type: none"> • Make sure the door is latched shut. • Be sure the power cord is plugged into a live electrical outlet. • Check your home's circuit breakers or fuses. • Press the Start/Pause button again if the door is opened during the cycle
Doesn't heat.	<ul style="list-style-type: none"> • Check your home's circuit breakers or fuses. • Select a heat setting other than Air Fluff. • On a gas dryer, check that the gas supply is on. • Clean the lint filter and exhaust duct. • Dryer may have moved into the cool-down phase of the cycle.
Doesn't dry	<ul style="list-style-type: none"> • Check all of the above, plus... • Be sure the exhaust hood outside the home can open and close freely. • Check the exhaust system for lint buildup. Ducting should be Inspected and cleaned annually. • Use a 4" rigid metal exhaust duct. • Do not overload. 1 wash load = 1 dryer load. • Sort heavy items from lightweight items. • Large, bulky items like blankets or comforters may require repositioning to ensure even drying. • Check that the washer is draining properly to extract adequate water from the load. • Load may be too small to tumble properly. Add a few towels.
Is noisy.	<ul style="list-style-type: none"> • Check the load for objects such as coins, loose buttons, nails, etc. Remove promptly. • It is normal to hear the dryer gas valve or heating element cycle on and off during the drying cycle. • Be sure the dryer is leveled properly as outlined in the installation instruction.

	<ul style="list-style-type: none"> • It is normal for the dryer to hum due to the high velocity of air moving through the dryer drum and exhaust system.
Dries unevenly.	<ul style="list-style-type: none"> • Seams, pockets, and other similarly heavy areas may not be completely dry when the rest of the load has reached the selected dryness level. This is normal. Select the Very Dry setting if desired. • If one heavy item is dried with a lightweight load, such as one towel with sheets, it is possible that the heavy item will not be completely dry when the rest of the load has reached the selected dryness level. Sort heavy items from lightweight items for best drying results.
Has an odor.	<ul style="list-style-type: none"> • Household odors from paint, varnish, strong cleaners, etc. may enter the dryer with the surrounding room air. This is normal as the dryer draws the air from the room, heats it, pulls it through the tumbler, and exhausts it outside. • When these odors linger in the air, ventilate the room completely before using the dryer.
Shuts off before load is dry	<ul style="list-style-type: none"> • The dryer load is too small. Add more items or a few towels and restart the cycle. • The dryer load is too large. Remove some items and restart the dryer
Lint on clothes	<ul style="list-style-type: none"> • Make sure the lint filter is cleaned before every load. With some loads that produce high amounts of lint, it may be necessary to clean the filter during the cycle. • Some fabrics are lint producers (for example, a fuzzy white cotton towel) and they should be dried separately from clothes that are lint trappers (for example, a pair of black linen pants). • Divide larger loads into smaller loads for drying. • Check pockets thoroughly before washing and drying clothes.
Garments still wrinkled after Wrinkle Release	<ul style="list-style-type: none"> • Small loads of 1 to 4 items work best. • Load fewer garments. Load similar-type garments.

Odors remain in clothing after Air Fluff.	<ul style="list-style-type: none"> • Fabrics containing strong odors should be washed in a normal cycle.
---	---

Information codes

ERROR DISPLAY	MEANING	SOLUTION
tE	The thermistor resistance is very low or high	Clean the screen or vent. If the problem continues, call for service.
HE	Invalid heating Temp when the dryer is running.	Call for service.
dE	Running the dryer with door open	Close the door and then restart. If the problem continues, call for service.
FE	Invalid power source frequency	Try restarting the cycle. If the problem continues, call for service.
9E1	Electronic Control Problem. (Over Voltage Error)	Call for service.
AE	Electronic Control Problem. (Communication Error)	Call for service.
EEE	Invalid state of Eeprom Communication.	Call for service.
dF	Invalid door.	Call for service.
bE2	Unit detects a button is being pressed for over 30secs or button is stuck.	Make sure a button is NOT being pressed continuously. Try restarting the cycle. If the problem continues, call for service.

Warning

This content is compiled from multiple sources and is provided for reference purposes only. It may not be complete or fully applicable to all situations. If you are unable to resolve your issue, please contact the product manufacturer or an authorized service provider for official support.

