

Included Accessories



4 Holder



eighteen
4x20mm
Truss tapite

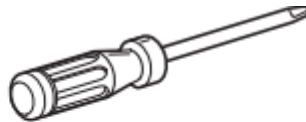


Drawer Divied

Tools Needed



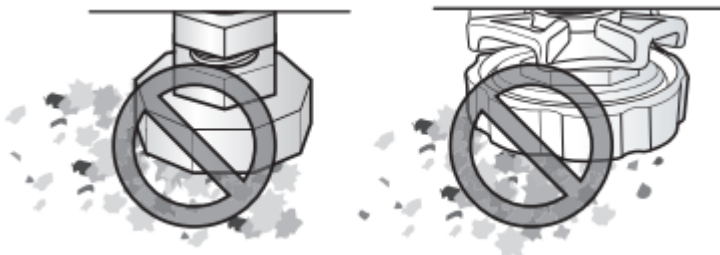
11/16" or 17mm
Open End Wrench



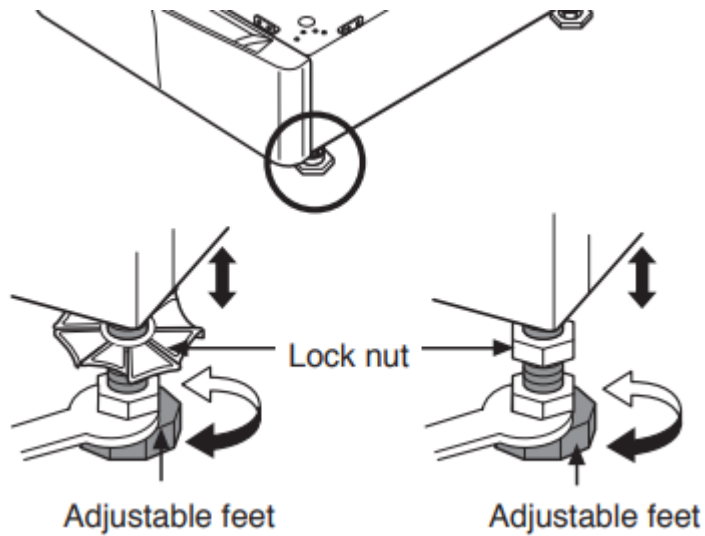
Phillips
screwdriver

WASHER/COMBO INSTALLATION

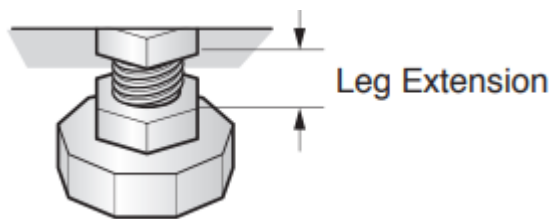
1. Remove pedestal, installation hardware, and instructions from the shipping carton.
2. Before installing the pedestal, remove foreign objects on the floor clean the floor. Dust, water, oil, detergent and so on could cause vibration due to bad contact of legs with floor



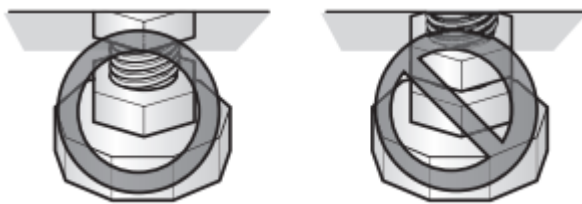
3. Level the pedestal on the clean place by adjusting the feet.



Do not extend the legs any more than necessary to level the washer. The more the legs are extended, the more the washer will vibrate.



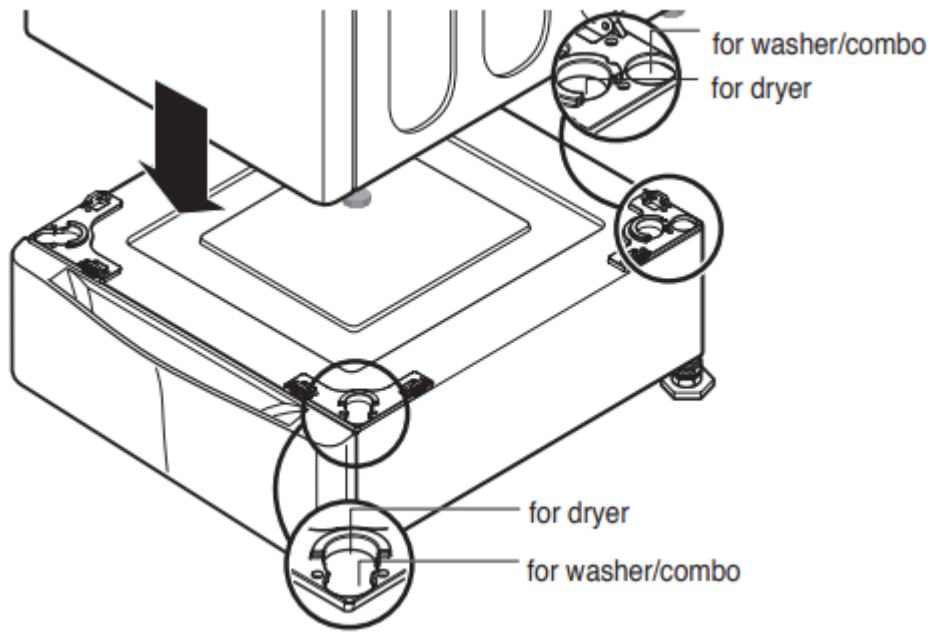
After the washer is leveled, tighten the lock nuts up toward the base of the washer using the wrench. All four lock nuts should be tightened.



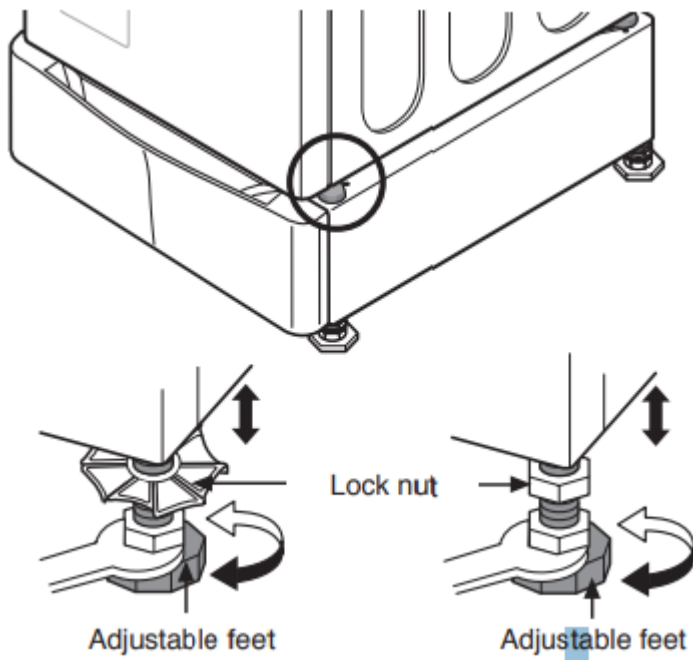
4. Position the washer/combo on top of the pedestal.

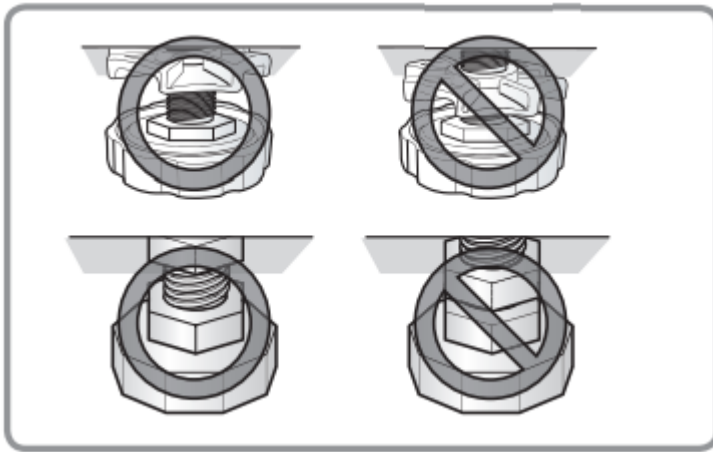
Because of the weight of the washer/combo, two or more people may be needed.

If the washer or combo was previously installed, unplug it, disconnect the inlet hose (s) from the faucet (s), disconnect the drain hose, and drain all hoses.



5. Level the washer/combo on the pedestal by adjusting the feet



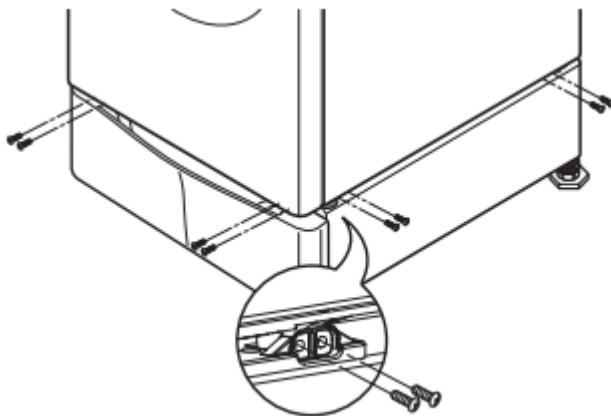


6. Make sure the holes on the pedestal align with the holes in the appliance, then install 4 screws at each corner to securely attach the appliance to the pedestal.

If the screws are not installed properly, noise and vibration may result.

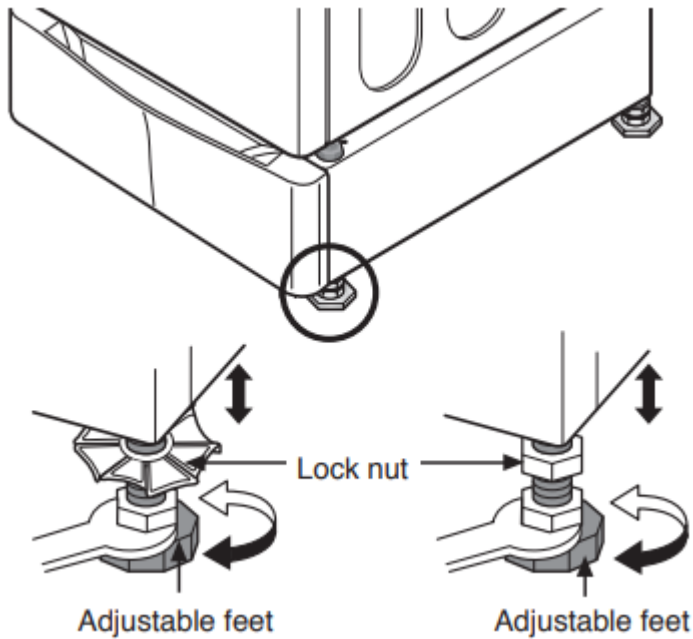
For WASHER: 16 SCREWS

For DRYER: 8 SCREWS



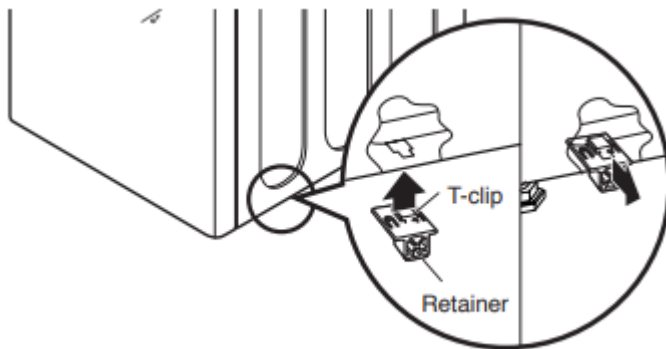
7. Move the washer/combo to the desired place.

The appliance and pedestal assembly must be placed on a solid and level floor for proper operation. Adjust the legs of the appliance and pedestal by turning with a wrench. Then, adjust the lock nut toward the pedestal while holding the pedestal leg using a wrench.



DRYER INSTALLATION

1. Remove pedestal, installation hardware, and instructions from the shipping carton.
2. Insert the T-clip of the 4 retainers into the dryer base as shown. Press up on the back of the clip and pull outward to lock into place.



3. Position dryer on top of the pedestal.

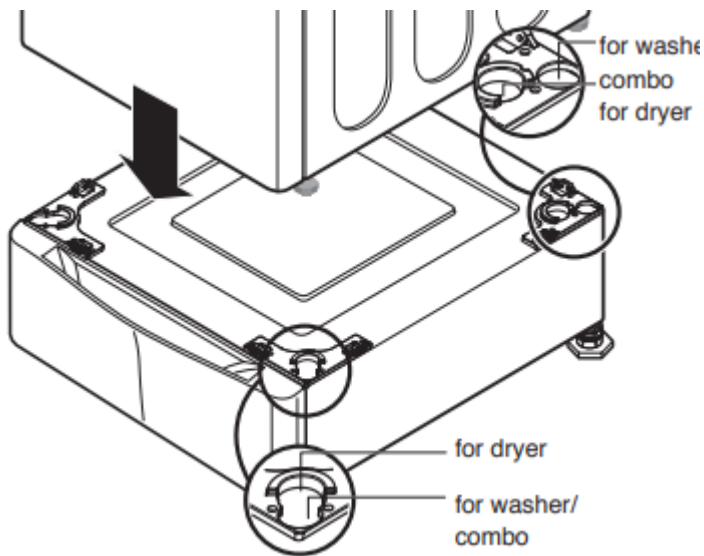
A. Uninstalling an electric dryer:

- 1) Unplug the power supply cord,
- 2) Pull the dryer away from the wall enough to loosen the vent clamp. Loosen the clamp and carefully remove the exhaust vent from the dryer exhaust outlet.

B. Uninstalling a gas dryer:

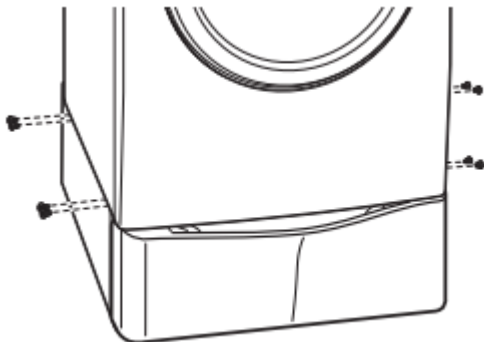
- 1) Unplug power supply cord.
- 2) Turn off the gas supply.

3) Pull the dryer away from the wall enough to loosen the vent clamp. Loosen the clamp and carefully remove the exhaust vent from the dryer exhaust outlet.



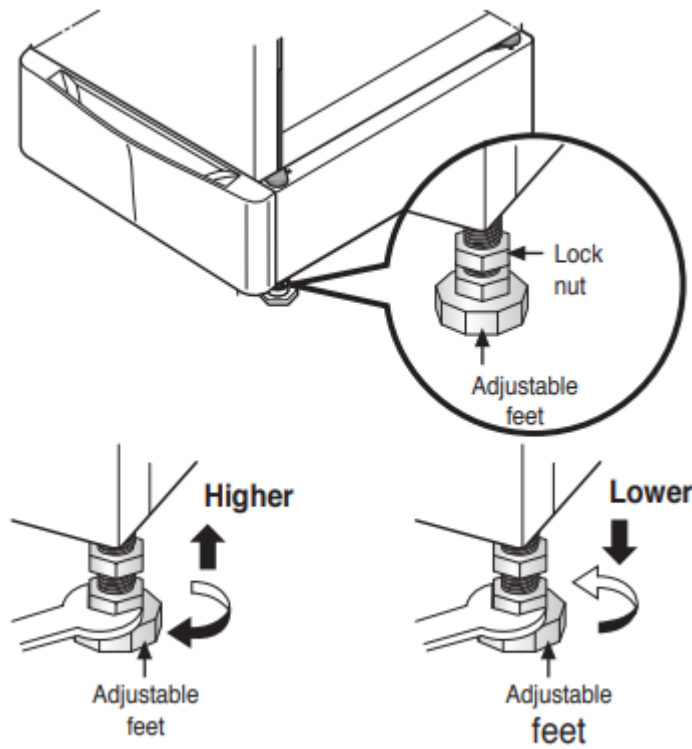
4. Make sure the holes on the pedestal align with the holes in the appliance, then install 2 screws at each corner to securely attach the appliance to the pedestal.

Note: If the screws are not installed properly, noise and vibration may result.



5. Move the dryer to the desired place.

Note : The appliance and pedestal assembly must be placed on a solid and level floor for proper operation. Adjust the legs of the appliance and pedestal by turning with a wrench. Then, adjust the lock nut toward the pedestal while holding the pedestal leg using a wrench



Warning

This content is compiled from multiple sources and is provided for reference purposes only. It may not be complete or fully applicable to all situations. If you are unable to resolve your issue, please contact the product manufacturer or an authorized service provider for official support.