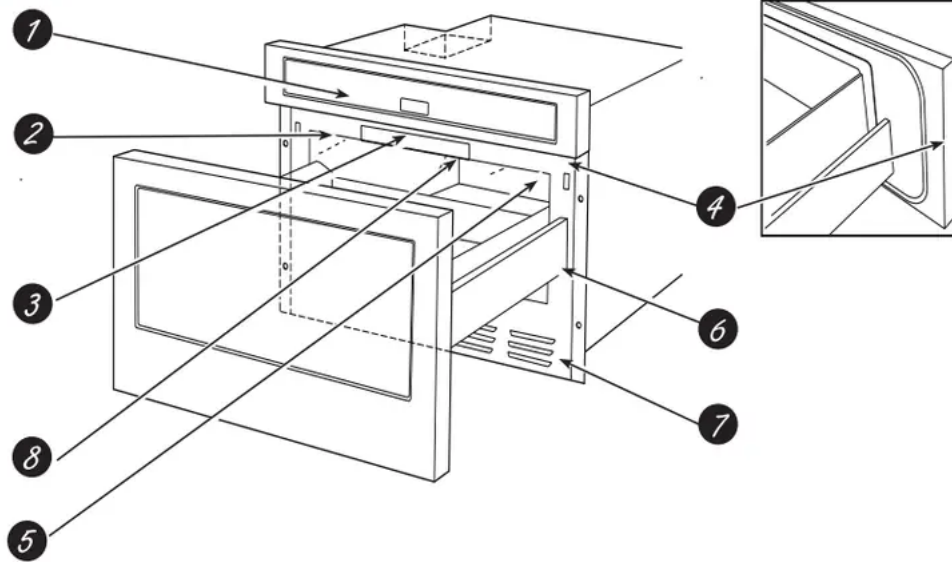


Operating Instructions

900 Watts



Features of the Oven

1. **Control Panel** The door must be securely latched for the microwave to operate.
2. **Waveguide cover DO NOT REMOVE.**
3. **Drawer Microwave Menu Label.**
4. **Drawer Sealing Surfaces.**
5. **Drawer Light.**
6. **Drawer Microwave Guides.**
7. **Vent.**
8. **Name Plate.**

Open the Drawer Microwave fully. The label is beyond the back wall of the microwave cavity facing up from the flat surface.

You can microwave by time or with the convenience features. Not all features on all models.



Cooking Controls

Press	See page below for instructions
Melt	See page 16
Beverage Center	See page 15
Sensor Popcorn	See page 12
Sensor Cook	See page 13
Sensor Reheat	See page 12
Soften	See page 16
Warm	See page 16
Keep Warm	See page 17
Defrost	See page 14
Reheat	See page 15

Before Operating

Before operating your new Drawer Microwave make sure you read and understand this Owner's Manual completely. Before the Drawer Microwave can be used, follow these steps:

1. Plug in the Drawer Microwave, "**ENJOY YOUR MICROWAVE TOUCH CLEAR AND TOUCH CLOCK**" will appear in the display.
2. Press **Stop/Clear**.
3. Set the clock.

Set the Clock

1. Press **Timer/Clock** and then press **2**.
2. Touch number pads for correct time of day then press **Timer/ Clock** again.

This is a 12 hour clock. If you attempt to enter an incorrect clock time, “**ERROR**” will appear in the display. Touch the Stop/Clear pad and re-enter the time.

If the electrical power supply to your Drawer Microwave should be interrupted, the display will intermittently show “**ENJOY YOUR MICRO- WAVE TOUCH CLEAR AND TOUCH CLOCK**” after the power is reinstated. If this occurs during cooking, the program will be erased. The time of day will also be erased. Simply touch **Stop/ Clear** pad and reset the clock for the correct time of day.

Note: The Drawer Microwave can be programmed with the drawer open except for **START/Extra Minute**.

Timer

- 1.Press **Timer/Clock** and then press **1**.
- 2.Touch number pads for correct time then press **Timer/Clock** again.

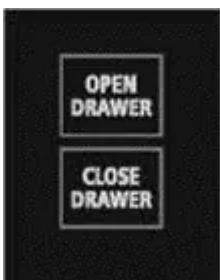
To Cancel timer, touch **Stop/Clear**.

Stop/Clear

Press the **Stop/Clear** pad to:

- Erase if you make a mistake during programming.
- Cancel timer.
- Stop the Drawer Microwave temporarily during timed cooking.
- Return the time of day to the display.
- Cancel a program during cooking, touch twice for timed cooking.

Open or Close Drawer Microwave



If you wish to use key operation to open/ close the Drawer Microwave, touch the OPEN DRAWER or CLOSE DRAWER pad on the control panel to open or close the Drawer Microwave.

To close the Drawer Microwave, push the drawer with light pressure so that the drawer will close automatically. In case the Drawer Microwave is stopped in the middle, open or close the drawer manually to full open or close position by gently pulling or pushing with even pressure near the middle of the drawer.

Time Cooking

Your Drawer Microwave can be programmed for 99 minutes 99 seconds (99.99). Always enter the seconds after the minutes, even if they are both zeros.

EXAMPLE: If you want to cook for 5 minutes at 100%:

1. Enter cooking time 5:00
2. Then touch **START/Extra Minute** pad. The power level will automatically be set at 100% unless you change the Power Level.

To Set the Power Level

There are eleven preset power levels. Using lower power levels increases the cooking time, which is recommended for foods such as cheese, milk and long slow cooking of meats. Consult a microwave cookbook or recipes for specific recommendations.

EXAMPLE: If you want to manually defrost for 5 minutes at 30%:

1. Enter **Defrost** time 5:00
2. Then touch **Power Level** pad 8 times.
3. Touch **START/Extra Minute** pad.

Touch Power Level Pad Number of Times for Desired Power	Approximate Percentage of Power	Common Words for Power Levels
Power Level x 1	100%	High
Power Level x 2	90%	
Power Level x 3	80%	
Power Level x 4	70%	Medium High
Power Level x 5	60%	
Power Level x 6	50%	Medium
Power Level x 7	40%	
Power Level x 8	30%	Med Low/Defrost
Power Level x 9	20%	
Power Level x 10	10%	Low
Power Level x 11	0%	

About the sensor features.

The Sensor Features detect the increasing humidity released during cooking. The oven automatically adjusts the cooking time to various types and amounts of food.

Do not use the Sensor Features twice in succession on the same food portion—it may result in severely overcooked or burnt food. Be sure to let the oven cool down for 5-10 minutes before starting the next sensor cook.

If food is undercooked after the countdown, use time cooking for additional cooking time.



- The proper containers and covers are essential for best sensor cooking.
- Always use microwave-safe containers and cover them with lids or vented plastic wrap. Never use tight-sealing

plastic covers— they can prevent steam from escaping and cause food to overcook.

- Be sure the outside of the cooking container and the inside of the drawer microwave are dry before placing food in the oven. Beads of moisture turning into steam can mislead the sensor.



Covered



Vented



Dry off dishes so they don't mislead the sensor.

Using Sensor Settings:

- After the Drawer Microwave is plugged in, wait 2 minutes before using any sensor setting.
- Be sure the exterior of the cooking container and the interior of the Drawer Microwave are dry. Wipe off any moisture with a dry cloth or paper towel.
- The sensor works with foods at normal storage temperature. For example, popcorn would be at room temperature.
- Any sensor selection can be programmed with More or Less Time Adjustment. See page 17.

- More or less food than the quantity listed in the charts should be cooked following the guidelines in any microwave cookbook.
- During the first part of sensor use, the food name will appear on the display. Do not open the Drawer Microwave or touch **Stop/Clear** during this part of the cycle. The measurement of vapor will be interrupted. If this occurs, an error message will appear. To continue cooking, touch the **Stop/Clear** pad and cook manually.

When the sensor detects the vapor emitted from the food, the remainder of cooking/reheating time will appear. The Drawer Microwave may be opened when the remaining time appears on the display. At this time, you may stir or season food, as desired.

- Except for Popcorn, if the sensor does not detect vapor properly when cooking other foods, ERROR will be displayed, and the microwave will turn off.
- Check food temperature after cooking. If additional time is needed, continue to cook manually.
- Each food has a cooking hint. Touch the **Help** pad when the HELP indicator is lighted in the display

Sensor Popcorn/Sensor Reheat

You can pop popcorn and reheat many foods and you don't need to calculate cooking time or power levels.

Touch **Sensor Reheat** or **Sensor Popcorn** and **START/Extra Minute** pad.

When the sensor detects the vapor emitted from the food, the remainder of cooking/reheating time will appear.

NOTE: The Sensor Popcorn setting has two choices, follow directions in the display to choose desired option.

Food	Amount	Procedure
Sensor Popcorn	Only 1 package at a time	Use only popcorn packaged for microwave. Try several brands which you like. Do not try to pop unpopped kernels.
	2.85 - 3.5 oz Regular/Regular light	Touch Sensor Popcorn pad once.
	1.2 - 1.75 oz Mini/Snack	Touch Sensor Popcorn pad twice.
Sensor Reheat	4 - 36 oz	Place in dish or casserole slightly larger than amount to be reheated. Flatten, if possible. Cover with lid, plastic wrap or wax paper. For foods such as plastic wrap or lids with larger quantities of more dense foods such as stews. After reheating, stir well, if possible. Re-cover and stand 2 to 3 minutes. Foods should be very hot. If not, continue with variable power and time.

Sensor Cooking

1. Touch **Sensor Cook** pad once.
2. See SensorCook Chart below. Select desired food by touching the number pad. Example, press **5** for baked potatoes.
3. Touch **START/Extra Minute** pad.

NOTE: To heat or cook other foods or foods above or below the quantity allowed on the Sensor Cook Chart, cook with timed cook.

Defrost

Use this feature to defrost the foods shown in the DEFROST CHART below.

1. Touch Defrost pad. "**SEE LABEL SELECT FOOD NUMBER**" will appear in the display.
2. See Menu Label. Select desired food by touching the number pad. Example: Touch 2 for steaks/chops. "**STEAKS CHOPS ENTER WEIGHT**" will appear in the display.
3. Enter weight by touching number pads.
4. Touch **START/Extra Minute** pad. The oven will stop so that the food can be checked.
5. After the first stage, open the Drawer Microwave. Turn steak over and shield any warm portions. Close the Drawer Microwave. Touch **START/Extra Minute** pad.

6. After the second stage, open the Drawer Microwave. Shield any warm portions. Close the Drawer Microwave. Touch **START/Extra Minute** pad.

7. After defrost cycle ends, cover and let stand as indicated in the chart below.

Note:

- Defrost can be programmed with More or Less Time Adjustment. See page 17.
- To defrost other foods or foods above or below the weights allowed on the DEFROST CHART, see MANUAL DEFROST below.
- Check foods when oven signals. After final stage, small sections may still be icy. Let stand to continue thawing. Do not cook until all ice crystals are thawed.
- Shielding prevents cooking from occurring before the center of the food is defrosted. Use small smooth strips of aluminum foil to cover edges and thinner sections of the food.

Manual Defrost

If the food that you wish to defrost is not listed on the DEFROST CHART or is above or below the limits in the AMOUNT column on the DEFROST CHART, you need to defrost manually.

You can defrost any frozen food, either raw or previously cooked, by using Power Level at 30%. Follow the exact 3-step procedure found under TO SET POWER LEVEL on page 10. Estimate defrosting time and touch Power Level pad eight times for 30% power.

For either raw or previously cooked frozen food the rule of thumb is approximately 4 minutes per pound. For example, defrost 4 minutes for 1 pound of frozen spaghetti sauce.

Always stop the oven periodically to remove or separate the portions that are defrosted. If food is not defrosted at the end of the estimated defrosting time, program the oven in 1 minute increments on Power Level 30% until totally defrosted.

When using plastic containers from the freezer, defrost only long enough to remove from the plastic in order to place in a microwave-safe dish.

Reheat

Reheat automatically computes the correct warming time and microwave power level for foods shown in the chart below.

1. Touch **Reheat** pad once. "**SEE LABEL SELECT FOOD NUMBER**" will appear in the display.
2. See Menu Label. Select desired food by touching number pad. Example: Touch 2 for frozen rolls or muffins.
3. Touch the number pad to select quantity. Example: Touch 2 for 2 rolls or muffins.
4. Touch **START/Extra Minute** pad.

Note:



- Reheat can be programmed with More or Less Time Adjustment. See page 17.
- To reheat other foods or foods above or below the quantity allowed on the REHEAT CHART, heat manually.

Reheat

Reheat automatically computes the correct warming time and microwave power level for foods shown in the chart below.

1. Touch **Reheat** pad once. “**SEE LABEL SELECT FOOD NUMBER**” will appear in the display.
2. See Menu Label. Select desired food by touching number pad. Example: Touch 2 for frozen rolls or muffins.
3. Touch the number pad to select quantity. Example: Touch 2 for 2 rolls or muffins.
4. Touch **START/Extra Minute** pad.

Note

- Reheat can be programmed with More or Less Time Adjustment. See page 17.
- To reheat other foods or foods above or below the quantity allowed on the REHEAT CHART, heat manually.

Reheat Chart

Number	Food	Amount	Procedure
1	Fresh rolls/muffins	1-8 pieces	Use this pad to warm rolls, muffins, biscuits, buns. Large items should be considered as 2 or 3 regular serving sizes. Place on plate; cover with paper towel. For refrigerated items, it may be necessary to double the entered amount to reach proper serving temperature. For example, enter 2 for 2 refrigerated muffins.
2	Frozen rolls/muffins	1-8 pieces	Use this pad to warm frozen rolls, muffins, biscuits, buns. Large items should be considered as 2 or 3 regular serving sizes. Place on plate; cover with paper towel.

Beverage Center

Beverage Center enables you to reheat coffee or tea to restore to a more suitable drinking temperature or to make instant coffee or tea.

1. Touch **Beverage Center** pad once. “**SEE LABEL SELECT FOOD NUMBER**” will appear in the display.



2. See Menu Label. Select desired selection by touching number pad. Example: Touch 2 to make coffee.
3. Repeating touching same number pad to select quantity. Example: Touch 2 two more times for 2 cups of coffee.
4. Touch **START/Extra Minute** pad.

Note:

- Beverage Center can be programmed with More or Less Time Adjustment. See page 17.
- Should you attempt to enter more or less than the allowed amount, an error message will appear in the display.

Beverage Center Chart

Number	Food	Amount	Procedure
1	Reheat beverage	.5 - 2.0 cups	This setting for good for restoring cooled beverage to drinking temperature. Touch number 1 pad for .5 cup increase per touch. Stir after heating.
2	Hot Water	1-6 cups	Use this setting for heating COLD TAP WATER to a temperature somewhat below the boiling point to make instant noodle soups. Touch number 2 pad for 1 cup increase per touch. Stir briskly before and after heating to avoid "erupting".

Melt/Soften/Warm

Melt, Soften and Warm automatically compute the correct heating time and microwave power level for melting, softening and warming foods shown in the chart below.

1. Touch **Melt** pad once. "**SEE LABEL SELECT FOOD NUMBER**" will appear in the display.
2. See Menu Label. Select desired food by touching number pad. Example: Touch 2 for chocolate.
3. Repeating touching same number pad to select quantity. Example: Touch 2 two more times for 1 square.
4. Touch **START/Extra Minute** pad.

Note:

- Melt/Soften/Warm can be programmed with More or Less Time Adjustment. See page 17.



- To melt, soften or warm other food or foods above or below the quantity allowed on the MELT/SOFTEN/WARM CHART, use manual operation.

Melt/Soften/Warm Chart

Button	Number	Food	Amount	Procedure
Melt				Use a Pyrex measuring cup. Cover with p
	1	Butter	2 tbsp .5 cup	After touching MELT, touch 1 two times fo touching MELT, touch 1 three times for .5
	2	Chocolate	1 cup chips 1 square	After touching MELT, touch 2 two times fo touching MELT, touch 2 three times for 1
Soften				DO NOT COVER
	1	Ice Cream	1 pint .5 gallon	After touching SOFTEN, touch 1 two time touching SOFTEN, touch 1 three times fo
	2	Cream Cheese	3 oz. 8 oz.	After touching SOFTEN, touch 2 two time touching SOFTEN, touch 2 three times fo
Warm				Use a Pyrex measuing cup. DO NOT CO
	1	Syrup	1/4 cup 1/2 cup	After touching WARM, touch 1 two times touching WARM, touch 1 three times for 1
	2	Dessert toppings	1/4 cup 1/2 cup	After touching WARM, touch 2 two times touching WARM, touch 2 three times for 1

About other features

Keep Warm

Keep Warm allows you to keep food warm for up to 30 minutes.

1. Touch **Keep Warm** pad. **"ENTER TIME UP TO 30 MINUTES"**

will appear in the display.

2. Enter desired time by touching the number pads.
3. Touch **START/Extra Minute** pad.

The oven will start. The display will show the time remaining and count down. "**KEEP WARM**" will appear in the display.

With Manual Cooking

1. Enter desired cooking time and power level.
2. Touch **Keep Warm** pad.
3. Enter desired warming time up to 30 minutes.
4. Touch **START/Extra Minute** pad.

The operation will start. When the cooking time is complete, a long tone will sound and Keep Warm will start. The display will count down. "**KEEP WARM**" will be displayed intermittently during the count down.

Note:

- If you attempt to enter more than 30 minutes for Keep Warm, an error message will appear in the display.
- Keep Warm cannot be programmed with Sensor Popcorn, Sensor Reheat, Sensor Cook, Defrost or Reheat.

Multiple Sequence Cooking

Your Drawer Microwave can be programmed for up to 4 automatic cooking sequences, switching from one power level setting to another automatically.

Sometimes cooking directions tell you to start on one power level and then change to a different power level. Your Drawer Microwave can do this automatically.

1. First enter cooking time. Then touch **Power Level** pad once for 100% cooking or repeat touching **Power Level** pad for a lower power level.
2. Enter second cooking time. Repeat touching **Power Level** pad for desired level. You can follow this procedure up to 4 times. "**TOUCH START**" will appear in the display.
3. Touch **START/Extra Minute** pad.

Note:

- If **Power Level** pad is touched once, "**HIGH**" will be displayed.
- If 100% is selected as the final sequence, it is not necessary to touch the **Power Level** pad.
- If you wish to know power level during cooking, simply touch the **Power Level** pad. As long as your finger is touching the **Power Level** pad, the power level will be displayed.

- Keep Warm can be programmed even if 4 cooking sequences have been set.

Extra Minute™

Extra Minute allows you to cook for a minute at 100% by simply touching the **Extra Minute** pad. You can also extend cooking time in multiples of 1 minute by repeatedly touching the Extra Minute pad during manual cooking.

Note:

- To use **Extra Minute**, touch pad within 5 minutes after cooking, closing the drawer or touching the **Stop/Clear** pad.
- **Extra Minute** cannot be used with Sensor settings, Reheat or Defrost.

More or Less Time Adjustment

Should you discover that you like any of the Sensor, Reheat or Defrost settings slightly more done, touch the **Power Level** pad once after touching your selection. The display will show "**MORE**".

For slightly less done, touch the **Power Level** pad twice after touching your selection. The display will show "**LESS**".

Control Lock

The Control Lock prevents unwanted drawer operation such as by small children. The Drawer Microwave can be set so that the control panel and the automatic door mechanism are deactivated or locked.

TO LOCK

Touch Control Lock pad and hold for 3 seconds. The display shows "**LOCK ON**".

TO UNLOCK

Touch Control Lock pad and hold for 3 seconds. The display shows "**LOCK OFF**".

The **Control Lock** is canceled when the electrical power supply to your oven is interrupted. Set the **Control Lock** again when power to the oven is restored.

Setup/Help

If the electrical power supply to your Drawer Microwave should be interrupted, the display will intermittently show "**ENJOY YOUR MICRO- WAVE TOUCH CLEAR AND TOUCH CLOCK**" after the power is reinstated. If this occurs, the **Setup/ Help** option you input will be erased. Simply touch Stop/Clear pad and reset.

Audible Signal Elimination

At the end of a timed cook, beeps will sound. The audible signal can be turned off if you prefer quiet operation.

TO TURN SOUND OFF

1. Touch **Setup/Help** pad. "**TOUCH AGAIN**" will appear in the display.
2. Touch **Setup/Help** pad again. "**SOUND OFF? TOUCH START**" will appear in the display.
3. Touch **START/Extra Minute** pad. The display shows "**SOUND OFF**".

TO TURN SOUND ON

1. Touch **Setup/Help** pad. "**TOUCH AGAIN**" will appear in the display.
2. Touch **Setup/Help** pad again. "**SOUND ON? TOUCH START**" will appear in the display.
3. Touch **START/Extra Minute** pad. The display shows "**SOUND ON**".

End of Cooking Reminder

At the end of timed cooking, the microwave will signal every 10 seconds for the first minute; then every 3 minutes until Stop/Clear pad is touched, up to one hour.

TO TURN REMINDER OFF:

1. Touch **Setup/Help** pad three times. The display shows "**REMIND SIGNAL OFF ? TOUCH START**".
2. Touch **START/Extra Minute** pad. The display shows TO TURN REMINDER ON:

To turn reminder signal back on

1. Touch **Setup/Help** pad three times. The display shows "**REMIND SIGNAL ON ? TOUCH START**".
2. Touch **START/Extra Minute** pad. The display shows "**REMIND SIGNAL ON**".

Auto Start

If you wish to program the Drawer Microwave to begin cooking automatically at a designated time of day, follow this procedure.

1. Touch **Setup/Help** pad 4 times. The display shows "**AUTO START TOUCH START**".
2. Touch **START/Extra Minute** pad. ENTER START TIME
3. Enter start time.
4. Touch **Timer/Clock** pad. "**ENTER COOKING TIME**" will appear in the display.
5. Touch the number pads to enter cooking time. "**20.00 TOUCH START OR TOUCH POWER LEVEL**" will appear in the display. Touch **Power Level** pad repeatedly until the desired power level is reached. "**TOUCH START**" will appear in the display.
6. Touch **START/Extra Minute** pad.

Demonstration Mode

TO SELECT DEMO MODE:

1. Touch **Setup/Help** pad five times. The display shows "**DEMO ON? HOLD START 3 SEC**".

2. Hold **START/Extra Minute** pad for 3 seconds. The display shows "**DEMO ON**".

TO CANCEL DEMO MODE:

1. Touch **Setup/Help** pad five times. The display shows "**DEMO OFF ? TOUCH START**".

2. Touch **START/Extra Minute** pad. The display shows "**DEMO OFF**".

Note:

- Drawer Microwave doesn't heat in Demo Mode.
- Display counts down quickly.

Sleep Mode

The backlight of the display will automatically turn off after 15 minutes if the unit has not been in operation. The information in the display will remain, but the display will not remain lighted. The display will not go into the Sleep Mode during cooking or while the Demo Mode is set.

If the display is "sleeping", simply touch the control panel or open/close the door to turn the back light on. The Sleep Mode feature can be deactivated, if desired.

TO TURN SLEEP MODE OFF:

1. Touch **Setup/Help** pad 6 times. The display shows "**SLEEP MODE OFF?**" .

2. Touch **START/Extra Minute** pad. The display shows "**SLEEP MODE OFF**".

TO TURN SLEEP MODE ON:

1. Touch **Setup/Help** pad 6 times. The display shows "**SLEEP MODE ON?**".

2. Touch **START/Extra Minute** pad. The display shows "**SLEEP MODE ON**".

Care and cleaning

Exterior

The outside surface is precoated metal and plastic. Clean the outside with mild soap and water; rinse and dry with a soft cloth. Do not use any type of household or abrasive cleaner.

Stainless Steel Surface

The exterior should be wiped often with a soft damp cloth and polished with a soft dry cloth to maintain its beauty. There are also a variety of products designed especially for cleaning and shining the stainless exterior of the oven. We recommend that the cleaner be applied to a soft cloth and then carefully used on the stainless exterior rather than sprayed directly on to it. Follow package directions carefully.

Front side of the Drawer

Wipe the window on both sides with a soft damp cloth to remove any spills or splatters. Metal parts will be easier to maintain if wiped frequently with a soft damp cloth. Avoid the use of spray and other harsh cleaners as they may stain, streak or dull the drawer surface.

Touch Control Panel

If desired, the touch pads may be deactivated before cleaning. See the Control Lock information on page 17 of this manual. Wipe the panel with a cloth dampened slightly with water only. Dry with a soft cloth. Do not scrub or use any sort of chemical cleaners. Close drawer and follow directions on page 17 for turning Control Lock off. Touch **Stop/Clear**.

Interior

Before cleaning the the Drawer Microwave, touch and hold the Control Lock button for 3 seconds to lock the control pad and the automatic door mechanism. The drawer can be locked in either the open or closed position. The display will show "**LOCK ON**". This will prevent the drawer from accidentally opening or closing during cleaning.

After cleaning, touch and hold the Control Lock button for 3 seconds to turn the lock off. The display will show "**LOCK OFF**".

Cleaning is easy because no heat is generated to the interior surfaces; therefore, there is no baking and setting of spills or splattering. To clean the interior surfaces, including drawer sealing surfaces, wipe with a soft damp cloth. **DO NOT USE ABRASIVE OR HARSH CLEANERS OR SCOURING PADS.** For heavier soil, use mild soap; wipe clean with a soft damp cloth. Do not use any chemical oven cleaners.

Drawer Microwave Guides

Remove the food crumbs from the Drawer Microwave guides. Wipe with a soft dry cloth in order to keep the Drawer Microwave opening and closing smoothly.

Waveguide Cover

ATTENTION: The waveguide cover, located on the inside top of the Drawer Microwave area, is made from mica, so it requires special care. Keep the waveguide cover clean to assure good microwave performance. Carefully wipe with a soft damp cloth any food splatters from the surface of the cover immediately after they occur. Built-up splashes may overheat and cause smoke or possibly catch fire. Do not remove the waveguide cover.

Odor Removal

Occasionally, a cooking odor may remain in the Drawer Microwave. To remove odor, combine 1 cup water, grated peel and juice of one lemon and several whole cloves in a 2-cup glass microwave-safe measuring cup. Boil for several minutes using 100% power. Leave in the Drawer Microwave until water cools. Wipe interior with a soft cloth.

Troubleshooting tips

Problem	Possible Cause	Solution
Part or all of Drawer Microwave does not operate	Power cord is not completely connected to the electric outlet	Make sure the power cord is tight to the outlet.
	Power outage	Check house lights to be sure. Call electric company for service.
	Fuse/circuit breaker at home does not work.	Replace the fuse or reset the circuit breaker.
	Drawer is in Demo Mode	See page 18 for how to cancel Demo Mode.
Food in Drawer Microwave is not heated	No power to the appliance	See solutions above.
	Drawer controls improperly set	Check if the controls have been properly set.
	Drawer in Demo Mode	See page 18 for how to cancel Demo Mode.
Drawer Microwave light does not work	Light bulb loose or burned out	Call for service.
Touch controls will not operate	Control Lock is on	See page 17 for how to unlock.
Display flashes	Power failure	Touch Clear pad and reset the clock. If Drawer Microwave was in use, you may need to restart the cooking function.
Steam from the vent	During microwaving, steam may come from the right side of the vent	This is normal.
Shorted Key Error	A specific key shorts out or becomes stuck for more than 60 seconds	"SHORTED KEY CONTACT SEEN" appears in display. Call for service.

Food Detect Error



	Food has not been inserted before a cooking function was selected after the oven has been sitting idle for more than 5 minutes.	" INSERT FOOD " error message appears; open drawer and insert food for cooking.
	Food has been left in drawer after the finish of cooking for more than 5 minutes	" CHECK FOOD " error message appears; open drawer and remove food and close drawer to continue cooking.
Display is dark	Display is asleep	Touch Stop/Clear or open drawer for SLEEP MODE.

Things That Are Normal With Your Drawer Microwave

- Steam or vapor escaping from around the door.
- Light reflection around door or outer case.
- Dimming oven light and change in the blower sound at power levels other than high.
- Dull thumping sound while oven is operating.
- TV/radio interference might be noticed while using the microwave. Similar to the interference caused by other small appliances, it does not indicate a problem with the microwave. Plug the microwave into a different electrical circuit, move the radio or TV as far away from the microwave as possible, or check the position and signal of the TV/radio antenna.

Warning

This content is compiled from multiple sources and is provided for reference purposes only. It may not be complete or fully applicable to all situations. If you are unable to resolve your issue, please contact the product manufacturer or an authorized service provider for official support.