

## Important Safety Instructions

APPROVED FOR RESIDENTIAL APPLIANCES

FOR RESIDENTIAL USE ONLY

READ AND SAVE THESE INSTRUCTIONS

PLEASE READ ENTIRE INSTALLATION GUIDE BEFORE PROCEEDING. INSTALLATION MUST COMPLY WITH ALL LOCAL CODES.

**IMPORTANT:** Save these Instructions for the Local Electrical Inspector's use.

**INSTALLER:** Please leave these Instructions with this unit for the owner

**OWNER:** Please retain these instructions for future reference.

### WARNING

Turn off power circuit at service panel and lock out panel before installing this kit to the appliance.

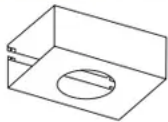




Installation must comply with all local codes.

### CAUTION

Remove the carton carefully. Wear gloves to protect against sharp edges.

## Installation

### Tools and Parts

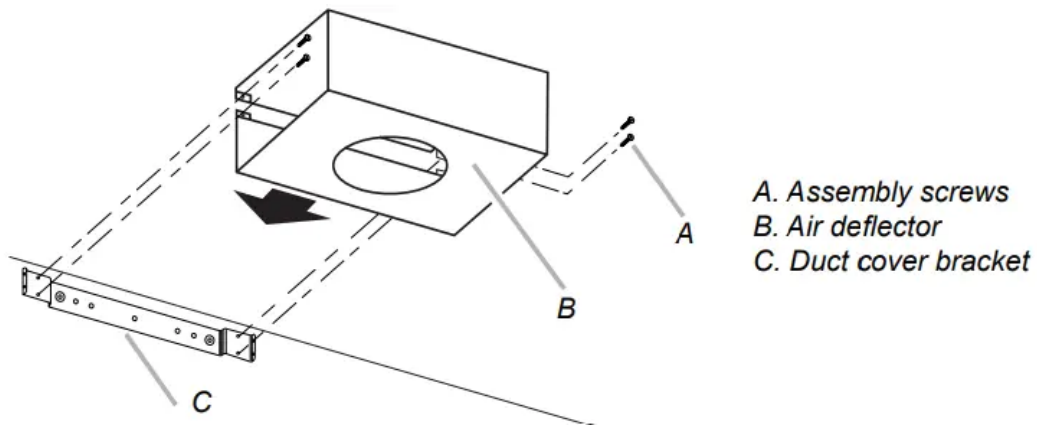
Part	Qty	Part	Qty
 Air deflector	1	 Charcoal Filter	2
 4.2x8 mm	4	 Plastic grid	1
 4.5x13 mm	2		

## Recirculating Kit

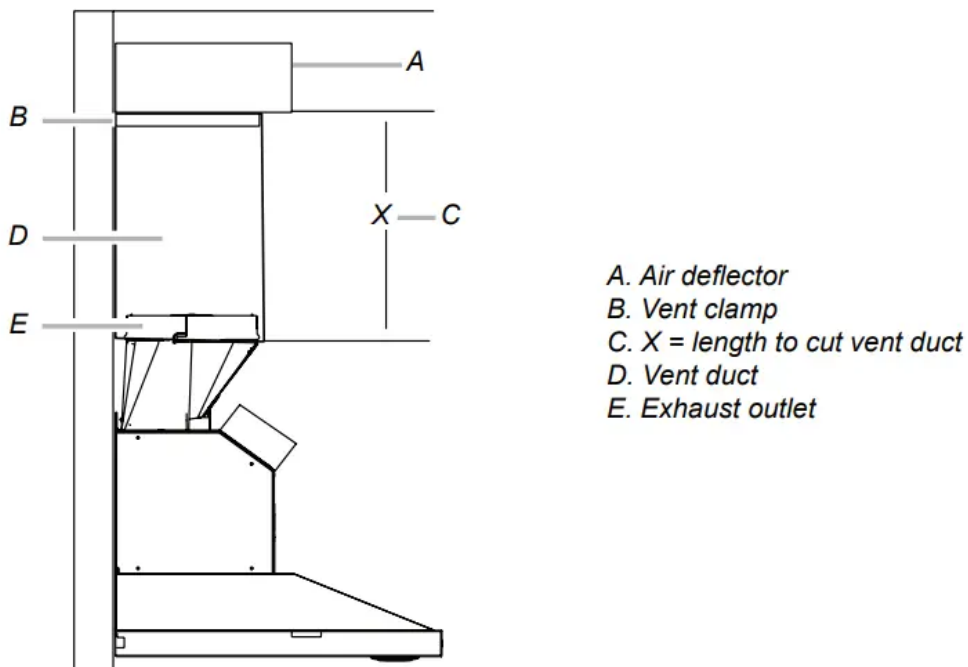
If it is not possible to vent cooking fumes and vapors to the outside, the range hood can be used in the non-vented (recirculating) version, using a charcoal filter and an air deflector for the Wall hoods or a charcoal filter and a plastic grid for the Undercabinet hoods. Recirculation Kit is available from the dealer or an authorized parts distributor.

## Air Deflector Installation on Wall Hoods

- Assemble the air deflector with the duct cover bracket using (4) 4.2 x 8 mm screws.



- Measure from the bottom of the air deflector to the bottom of the hood outlet.

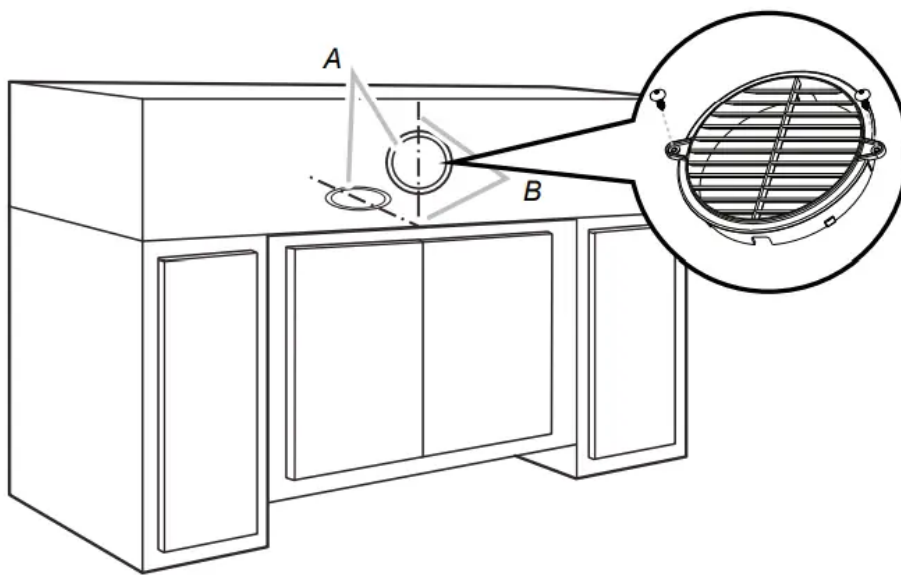


- Cut the duct to the measured size "X."
- Remove the air deflector.
- Slide the duct onto the bottom of the air deflector.

- Place the assembled air deflector and duct over the exhaust outlet from the hood.
- Reassemble the air deflector to the duct cover bracket with the four assembly screws.
- Use duct tape or vent clamps to seal the deflector and the exhaust outlet from the hood.

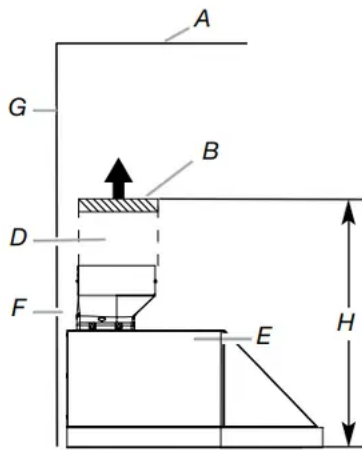
### Plastic grid Installation on Undercabinet Hoods

1. Measure and mark the centerline of the cabinet to the soffit above
2. Measure from the bottom of the cabinet to the centerline of the where the vent will come through the soffit. Mark the location and use a saber saw or keyhole saw to cut a 5 $\frac{3}{4}$ " (14.6 cm) hole for the plastic grid.
3. Use 2 - 4.5 x 13 mm screws to attach the plastic grid to the cabinet or soffit.



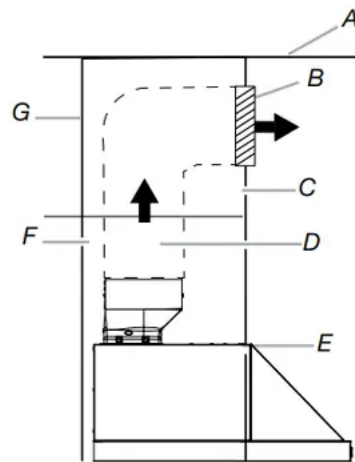
A. Vent cover  
B. Centerline

*Plastic Grid Installation  
on top of the cabinet*



- A. Ceiling
- B. Plastic grid
- C. Soffit
- D. 6" (15.2 cm) vent
- E. Range hood

*Plastic Grid Installation  
on the front of the soffit*



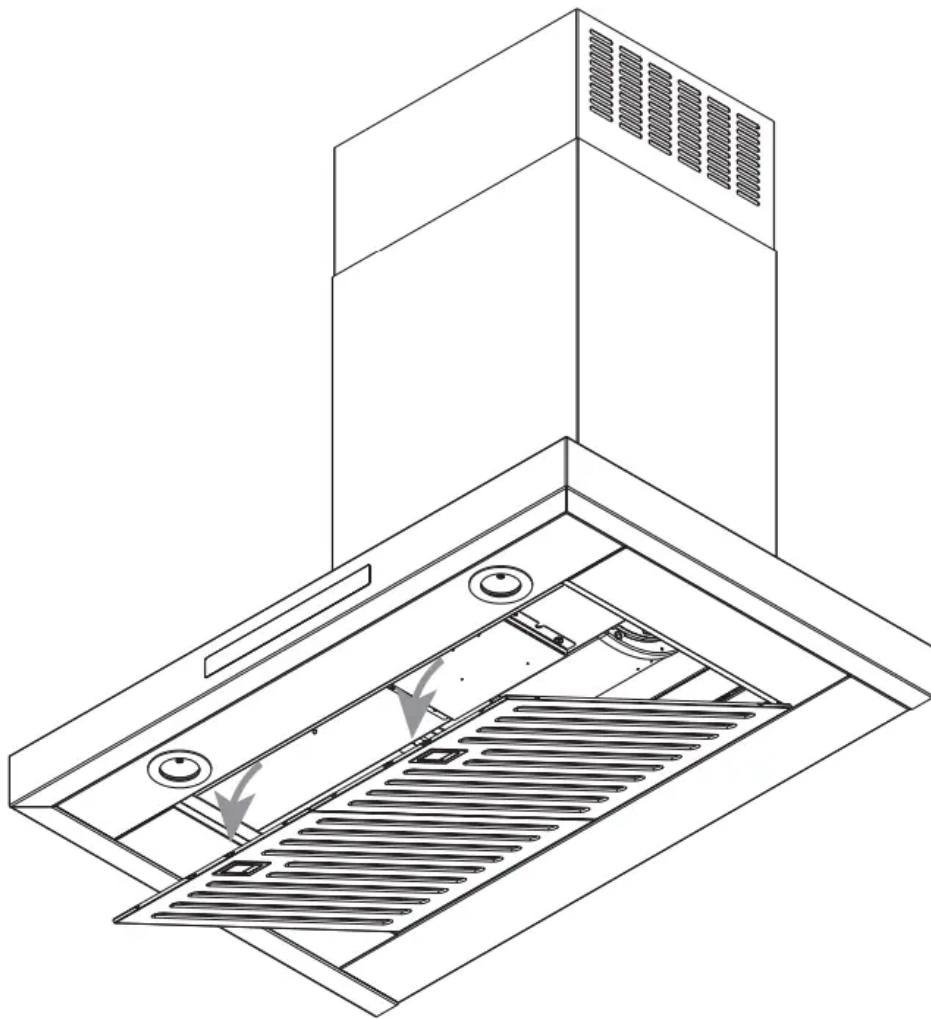
- F. Cabinet
- G. Wall
- H. 12" (30.5 cm) min. cabinet height

## Charcoal filter

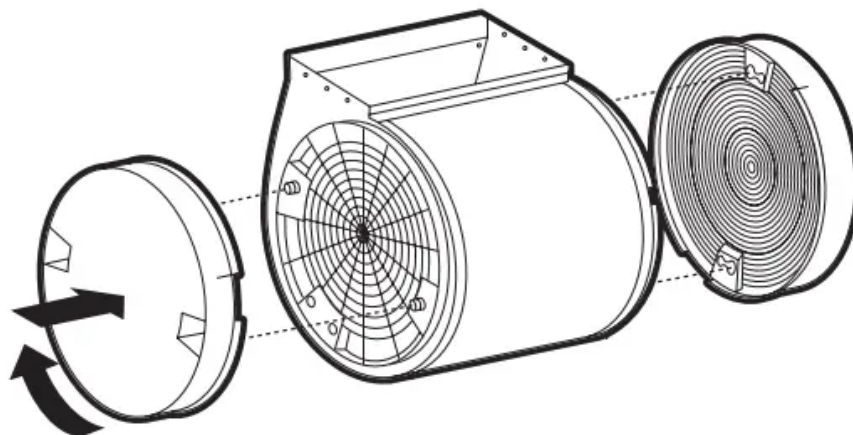
In the recirculating mode, the air will be recirculated through disposable charcoal filters that help remove smoke and odors.

- Remove the grease filter of the hood.





- Cover the grill that protects the suction motor with the carbon filter so that the slots on the filter correspond to the pins on the sides of the motor protection grill.
- Turn the carbon filter clockwise to block them (bayonet fixing).



**NOTE:** The charcoal filters cannot be cleaned. It should be replaced every 4-6 months (depending on hood usage).

**Warning**

This content is compiled from multiple sources and is provided for reference purposes only. It may not be complete or fully applicable to all situations. If you are unable to resolve your issue, please contact the product manufacturer or an authorized service provider for official support.

---

Document generated by [ManualsFile](#)