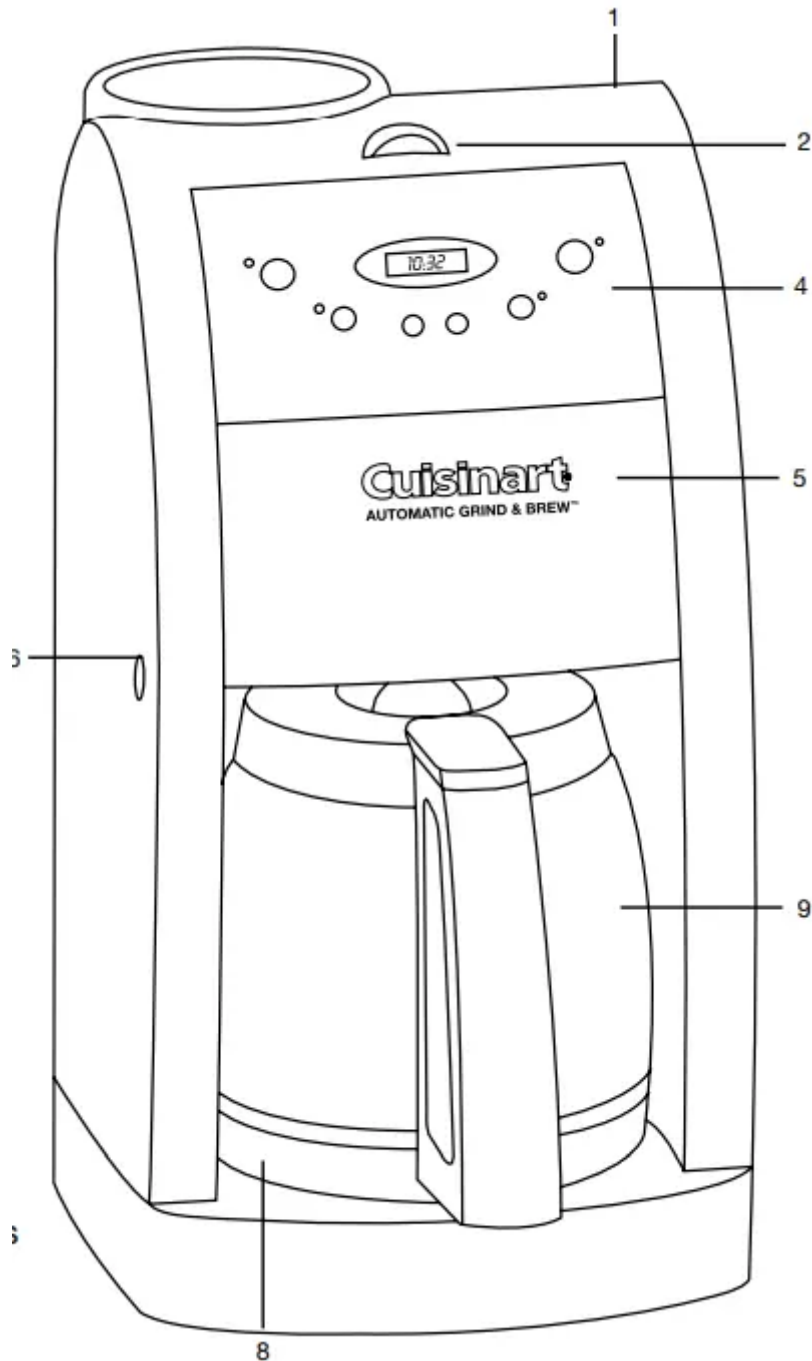


FEATURES AND BENEFITS



1. Reservoir Cover Flips back for easy filling. Removable for easy cleaning. A Safety Interlock System prevents operation of the unit if the Reservoir Cover is open.

2. Reservoir Cover Release Button

3. Showerhead (not shown) Distributes water evenly over coffee, reducing temperature loss as water passes through grounds.

4. Control Panel See detailed drawing.

5. Filter Basket Compartment see detailed drawing, page 6. Contains: Filter Basket Filter Basket Cover Cuisinart Gold Tone Commercial Style Filter

6. Filter Basket Door Release Button

7. Brew Pause (not shown) Stops flow of coffee from basket when carafe is removed from heater plate so a cup can be poured in mid-brew, if desired.

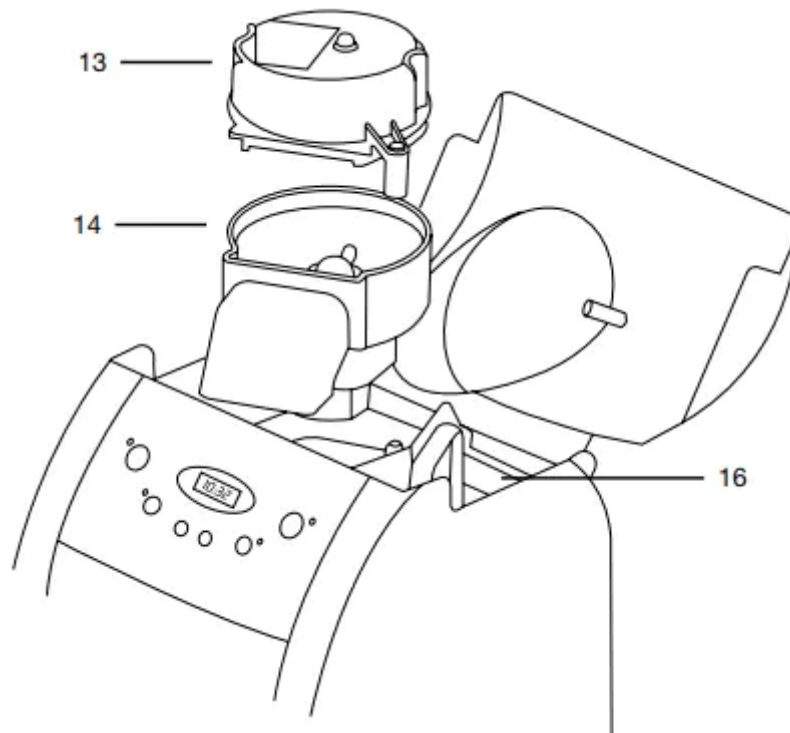
8. Heating Plate Scratch resistant with nonstick coating.

9. Carafe The easy-pour, no-drip 12-cup carafe has an ergonomic handle and brewed coffee markings for two to twelve cups.

10. Cord Storage (not shown)

11. Measuring Scoop and Brush (not shown)

12. #4 Basket Paper Filters included (not shown)



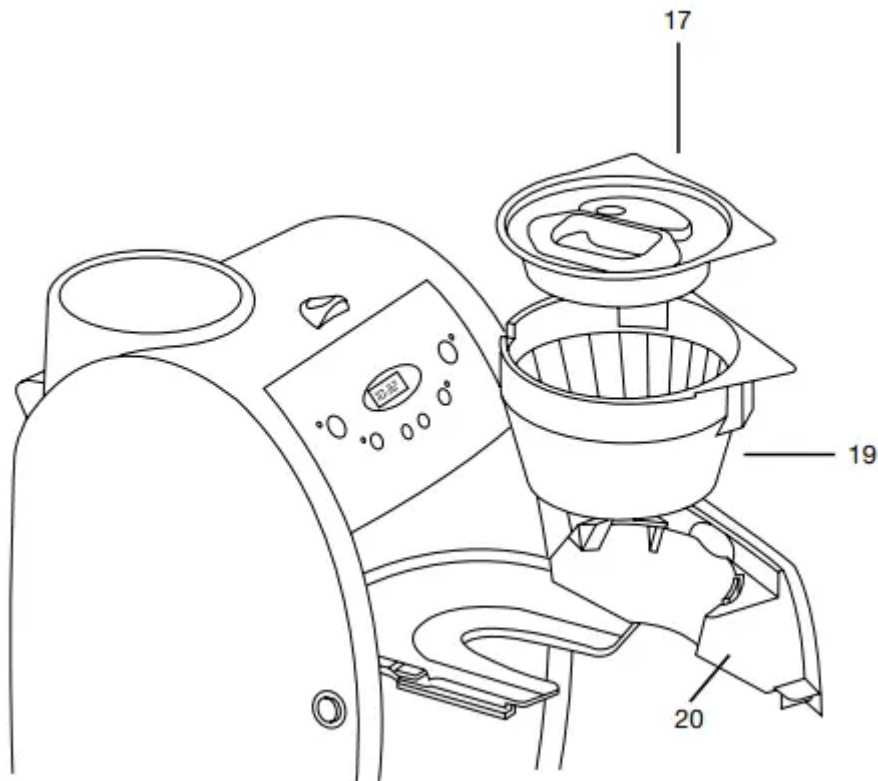
13. Grinder Basket Lid Use the recess on each side of the lid to remove lid for easy addition of beans. **Note:** Lid must be in place for unit to operate.

14. Grinder Basket

15. Charcoal Water Filter Charcoal water filter eliminates chlorine, bad tastes and odors from tap water.

16. Water Reservoir with Water Level Indicator

17. Filter Basket Cover To put on or remove, grasp cover in area indicated by arrows.
NOTE: COVER MUST BE IN PLACE FOR UNIT TO OPERATE CORRECTLY. Cover becomes hot after coffee is brewed. Use caution when removing cover.

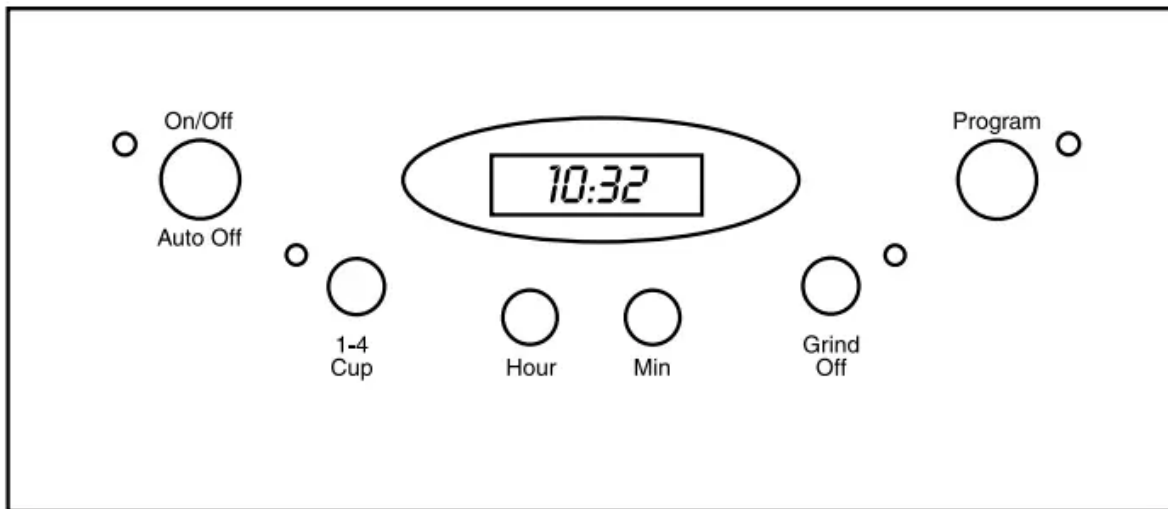


18. Gold Tone Cuisinart Commercial Style Filter (not shown) A note about filters: When using our permanent filter, be sure that the handle is positioned toward the front of the unit. If you do not, the handle may interfere with the flow of coffee into the filter basket. Also note, using our permanent gold-tone filter will allow some fine coffee grounds to fall into the coffee carafe. This will appear as sediment in the carafe.

19. Filter Basket Holds our commercial style permanent filter or paper filter. **NOTE:** FILTER BASKET MUST BE IN PLACE FOR UNIT TO OPERATE CORRECTLY. Removable for easy cleaning.

20. Filter Basket Door

Control Panel



1. On/Off/Set Auto-Shutoff Switch with LED Indicator

- a. Audible Tone (not shown): The Automatic Grind & Brew™ coffeemaker is equipped with an audible tone which will sound 5 times when the coffee has completed brewing (coffee may continue to stream from the filter for several seconds thereafter).
- b. Auto-Shutoff Tone (not shown): Unit will sound twice at end of programmed auto-shutoff period (when unit has shut itself off completely).

2. Low Cups Setting with LED Indicator: Set to “1-4 cup” to improve extraction and flavor when making fewer than 5 cups of coffee.

3. Hours Set/Minutes Set Press and hold either hour or minute button for approximately 2 seconds to enter Time Set Mode.

5. Clock Display Displays time of day, program setting when program button is depressed, or Auto-Shutoff time when On/Off button is depressed.

6. Grind Off with LED Indicator Use to turn off the grinder when using pre-ground coffee.

7. Program Setting with LED Indicator Press to display program setting or to set for programmed brewing.

PROGRAMMING YOUR COFFEEMAKER

Setting the Clock

When the coffeemaker is plugged in, 12:00 will appear until you set the time.

Entering Time Set Mode

To set the time, hold down either the Hours or Minutes button until the clock begins flashing (about 2 seconds). You are now in the Time Set mode and can operate either button to

achieve the desired setting. The buttons can be held down to scroll through the digits, or pressed and released lightly to advance one digit at a time. When scrolling, the numbers will advance slowly at first and then speed up to the rate of about three per second.

When the number displayed approaches the desired setting, release the button and press repeatedly to advance one digit at a time. Be careful to make sure that “PM” is on if a PM time is desired.

Exiting Time Set Mode

The Time Set mode can be exited in one of two ways:

1. Press any button besides the Hours or Minutes button. This will exit the Time Set and activate the selected function.
2. Do nothing. If neither the Hours nor Min button is pressed for a period of five seconds, the Time Set mode will be exited.

Setting the Program Time

When you press the Program Set button, it displays the current program time (default time 12:00 p.m.).

Entering Set Program Time Mode

Press and hold the Program button (about 2 seconds) until the green light and LCD display begin to flash. This signals that you have entered the Set Program Time mode. The desired time can be set by pressing the Hours and Min buttons to scroll forward through the digits. Pressing and holding either button will allow you to scroll continuously, slowly at first, and then to accelerate to the rate of about three digits per second. As the desired time setting approaches, release the button and then press repeatedly to advance one digit at a time. The coffeemaker will start to brew at the programmed time. The Program mode cannot be entered if the coffeemaker is in its brew or keep warm cycle.

Exiting Set Program Time Mode

Set Program Time may be exited in any of three ways:

1. Press the Program button. This will cause the coffeemaker to revert to its previous state. If it was Off, it will return to the Off position. If Programmed, it will revert to this state, and so on. This is a safety feature.
2. Press any other button (except Hours or Min). Set Program Time will be exited and the function of that button will be executed.
3. Do nothing. If neither the Hours nor Min button is pressed for a period of five seconds, the Set Program Time mode will be exited and the programmed setting will be in effect.

Programming

Automatic Shutoff Time

The Automatic Shutoff Time can be programmed anywhere from immediate shutoff after completion of the brew cycle up to four hours. When the coffeemaker shuts itself off, two tones will sound. Two hours is the default time. The 0:00 setting shuts the unit off immediately after brewing is complete. To check the current setting, press and hold the On/Off button and the Automatic Shutoff Time will be displayed.

To change the preset time, press and hold the On/Off button until the red power light and LCD display begin to flash. This signals that you have entered the Set Automatic Shutoff mode.

Press the Hours and Min buttons to scroll forward through the digits until desired time appears. The first setting which appears is preset at 2:00. Pressing and holding either button will allow you to scroll continuously, slowly at first, and then to accelerate to the rate of about three digits per second.

As the desired time setting approaches, release the button and then press repeatedly to advance one digit at a time.

The Automatic Shutoff Time (ASO) may be programmed either before or during coffee brewing. You may also re-program the ASO time when brewing has been completed. If you do so, the Grind & Brew™ will automatically account for any time that has already elapsed after brewing. For example, if you set the ASO for 40 minutes and 25 minutes have already elapsed, the Grind & Brew™ will shut off automatically after 15 minutes (40 minutes minus the 25 elapsed equals 15 minutes).

Turning off Grind Function

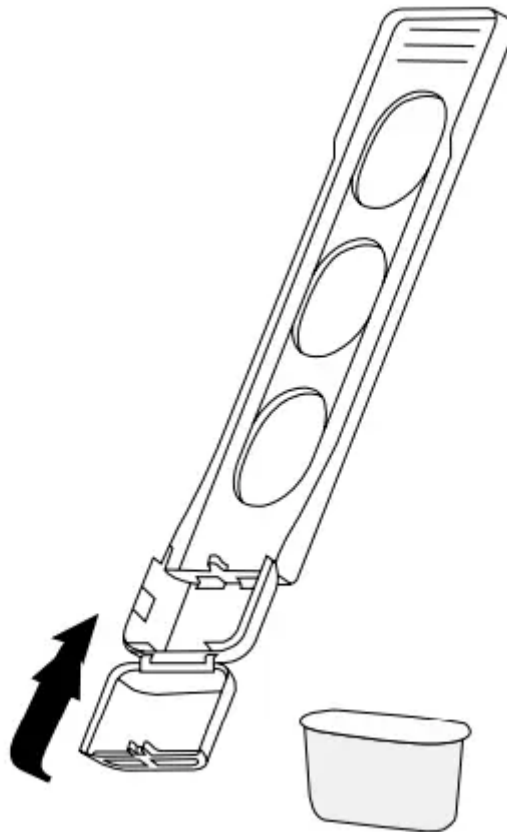
To turn off the grinding function, press the Grind Off button. An amber LED will be illuminated. Then press the On button.

CHANGING THE WATER FILTER

- a. Remove the filter from polybag and soak in cold tap water for 15 minutes.
- b. Remove the water filter holder from the coffeemaker by lifting it out of the reservoir area with your thumb and forefinger.
- c. Grasp stem in one hand. Using thumb of other hand, gently press down and pull toward you. Compartment will flip open.
- d. Place the filter in the holder and close the water filter holder; you will hear a snap indicating it is in place.

NOTE: Caution must be used when inserting the charcoal filter. Improper placement in the holder can cause tearing of the filter skin.

- e. Hold the filter under cold running tap water for 10 seconds to flush. You should place the hole openings in the side of the unit directly under the water stream.
- f. Allow the filter to drain completely.
- g. Replace the water filter holder in the reservoir area of the coffeemaker, pushing it all the way down to the base of the unit, along the reservoir wall.



Note: We recommend changing the water filter every 60 days or 60 uses, more often if you have hard water. Replacement water filters can be purchased in stores or by calling customer service or through the Cuisinart web site.

MAKING COFFEE

Before you make the first pot of coffee in your new Cuisinart® Grind & Brew™ Automatic coffeemaker, we recommend operating the coffeemaker once, using only water and a paper filter. This will remove any dust or residues which remain in the system from the manufacturing process.

1. Fill the Water Reservoir

Open the reservoir lid by pushing the release button and lifting up. Pour the desired amount of water in the reservoir using the step water indicator located at the rear of the reservoir.

2. Add Beans

Lift the grinder basket lid, using the recess on either side. Fill the basket with the desired quantity of beans.

Use 1 level scoop of whole beans per cup. For 1 to 4 cups, use 1½ level scoops per cup. Maximum capacity for whole beans is 14 level scoops. Do not overfill or the grinder could malfunction and/or the coffeemaker may overflow. This is our suggested recipe. Adjust the recipe to taste.

3. Open Filter Door

Place a #4 basket paper filter or Cuisinart's® commercial style permanent filter in the basket.

Note: When using the Cuisinart filter, be sure that the filter handle is facing away from the grinder basket. If you do not do so, the handle may interfere with the flow of ground coffee into the filter basket. Also note: a permanent filter may allow some ground coffee to flow into carafe.

The filter basket will help to keep the filter open, but when using a paper filter, be sure that the filter is completely open while touching the side walls and bottom of the basket.

Place filter basket lid in place. Close filter door.

4. Close the Reservoir Lid

Press down to lock. The Grind & Brew™ Automatic coffeemaker is equipped with a Safety Interlock System. Because grinder blades spin during operation, the Grind & Brew™ coffeemaker will not operate if the cover of the unit is open or the grinder cover is left out. If you try to turn the unit on with the cover open, the unit will beep continuously until the missing parts are installed and you close the lid. The unit will also beep if you open the lid during the brewing process. The grinder will stop grinding or, if brewing, the brewing will stop. Once the missing parts are installed and the cover is closed, the beeping stops. The brewing process can be restarted by pressing the On button. Restarting the process will not affect coffee results. If you do not want the grinder to come on again, press the Grind Off button before pressing the On button. Once the lid is closed, the beeping will stop, and the grind and brew process will start again from the beginning.

5. Before Brewing Coffee

Make sure you have replaced the glass carafe in its position on the warming plate and have placed a filter in the filter basket. Plug the cord into an electrical outlet. 12:00 will appear until you set the time.

This will not interfere with the operation of the coffeemaker. To set clock, see the Programming Your Coffeemaker section.

Check to see that the Automatic-Off Time is as you desire. For information on these features see Programming Your Coffeemaker.

6. Power Unit

a) Immediate grinding and brewing: Press the On button. The indicator will light and the process will begin.

b) Programmed brewing: Press the Program button. The indicator will light and the display will show the programmed time for as long as the button is depressed. The display reverts back to time of day once the button is released. To set the programmed time, see Programming Your Coffeemaker.

7. Select Cups Setting

The 1-4 cup setting button is used when you make small amounts of coffee. Normal coffeemakers will produce a colder batch of coffee when smaller amounts are made, because the heater doesn't have enough time to properly warm up to heat a small amount. The 1-4 setting basically double heats the water, making your smaller amount as piping hot as a full pot would be.

To use: When making a smaller amount, press the 1-4 button on the control panel after turning on the unit. The indicator light will illuminate. Note that the 1-4 button can be set at any time.

8. During and After Brewing

The Brew Pause™ feature allows you to remove the carafe from the heater during mid-brew. The brewing process does not stop during this period; only the flow of coffee from the basket stops. Do not remove the carafe for longer than 30 seconds or the coffee may overflow the basket. While we offer this feature, we do not recommend that you pour coffee before the cycle has reached completion, since the coffee brewed at the beginning of the cycle has a flavor profile which is very different from the coffee made at the end of the cycle. Removing a cup during the brewing cycle will alter the flavor of the finished pot.

When the brewing cycle is completed, five beeps will sound. Coffee will continue to stream from the filter for several seconds.

Once the coffee has finished brewing, stir it before serving to blend the flavors. The coffee at the bottom of the carafe will be somewhat stronger than the coffee at the top.

After brewing, the heater plate will keep the coffee at about 180°-185°F. We recommend transferring the coffee to a thermal carafe preheated with hot water, if the coffee is not going to be drunk within 20 minutes.

TO MAKE COFFEE WITH PRE-GROUND BEANS

Follow step #1 from Making Coffee section on page 9, then continue as follows:

2. Open filter door. Add ground coffee to our permanent or #4 basket paper filter. Our recipe suggestion: Use 1 level scoop (1 tablespoon) of ground coffee per cup. Adjust the recipe according to your individual taste.

NOTE: The maximum capacity for ground coffee is 16 level scoops, using either a paper or permanent filter. Exceeding that amount may cause overflow if the coffee is too finely ground.

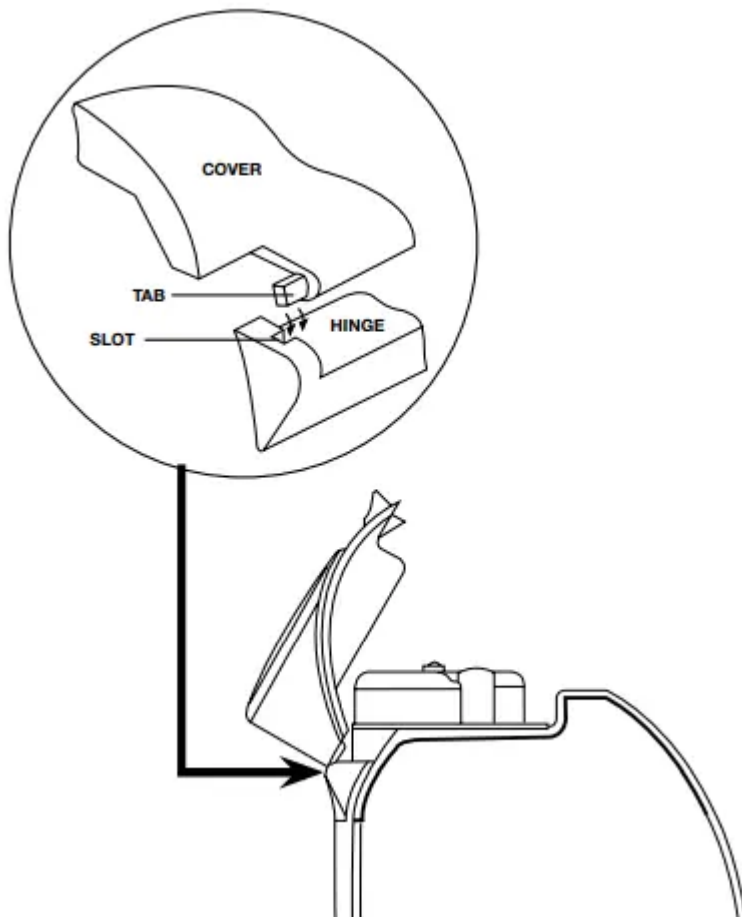
3. Place filter basket lid in place. Close filter door.
4. Follow instructions 4 through 8 from the Making Coffee section.
5. Press the Grind Off button. When this function is activated, an amber LED will be illuminated. Then press the On button.

CLEANING AND MAINTENANCE

COMPLETELY CLEAN AND DRY ALL PARTS AFTER EVERY USE.

Always turn coffeemaker Off and remove the plug from the electrical outlet before cleaning.

Open the reservoir lid*. Remove the grinder basket lid by using the recessed area on each side of the lid. Then remove grinder basket. Open filter basket door. Remove filter basket cover, and filter basket.



The grinder basket, grinder basket lid, filter basket and filter basket cover can be washed in warm soapy water and rinsed thoroughly, or cleaned in the upper rack of the dishwasher. Dry all parts after every use.

Do not put any water in the unit once the grinder basket has been removed. Wipe the area under the grinder basket with a damp cloth. If water gets into the grinder motor, the motor may become damaged and may malfunction.

Once clean, reverse the above steps.

Remove the carafe from the warming plate. Discard any remaining coffee. The carafe and lid can be washed in warm soapy water and rinsed thoroughly, or placed in a dishwasher. The carafe and carafe lid should be placed on the upper rack only.

Do not use scouring agents or harsh cleansers on any part of the coffeemaker.

Never immerse base unit in water or other liquid. To clean base, simply wipe with a clean, damp cloth and dry before storing. Wipe warming plate with a clean, damp cloth.

Never use rough, abrasive materials or cleansers to clean the warming plate. Do not dry the inside of the water reservoir with a cloth, as lint may remain.

***Note:** Reservoir lid can also be removed for easy cleaning. Open the lid 60° and gently pull toward you. To replace, reverse steps, see diagram.

Maintenance: Any other servicing should be performed by an authorized service representative.

IMPORTANT SAFEGUARDS

When using electrical appliances, basic safety precautions should always be followed to reduce the risk of fire, electric shock and/or injury to persons, including the following:

1. READ ALL INSTRUCTIONS.
2. Do not touch hot surfaces. Use handles and knobs.
3. To protect against electric shock, do not place cord, plug, or base unit in water or other liquids.
4. This appliance should not be used by or near children or individuals with certain disabilities.
5. Always unplug from outlet when not in use and before cleaning. Allow to cool before putting on or taking off parts and before cleaning the appliance.
6. Do not operate any appliance with a damaged cord or plug or after the appliance malfunctions or has been dropped or damaged in any manner. Return appliance to the nearest Cuisinart Repair Center for examination, repair, and electrical or mechanical adjustment.
7. The use of accessory attachments not recommended by Cuisinart may cause injuries.
8. Do not use outdoors.
9. Do not let cord hang over edge of table or counter, or touch hot surface.
10. Do not place on or near a hot gas or electric burner, or in a heated oven.

11. Always fill water reservoir first, then plug cord into the wall outlet. To disconnect, push the Off button, then remove plug from wall outlet.
12. Do not use appliance for other than intended use.
13. Snap lid securely onto carafe before serving any beverages.
14. Scalding may occur if the lid is removed during the brewing cycle.
15. The glass carafe is designed for use with these appliances only. It must never be used on the range top.
16. Do not set a hot carafe on a wet or cold surface.
17. Do not use a cracked carafe or a carafe having a loose or weakened handle.
18. Do not clean carafe or warming plate with cleansers, steel wool pads, or other abrasive materials.
19. **WARNING:** TO REDUCE THE RISK OF FIRE OR ELECTRIC SHOCK, DO NOT REMOVE THE BASE PANEL. NO USER SERVICEABLE PARTS ARE INSIDE. REPAIR SHOULD BE DONE ONLY BY AUTHORIZED PERSONNEL.
20. Avoid contact with moving parts.
21. Check grinder basket for presence of foreign objects before using.
22. Use the coffee grinder to grind roasted coffee beans only. Grinding other substances, such as nuts, spices or unroasted beans may dull the blade and cause poor grinding or injury.
23. Do not place cloth or otherwise restrict airflow beneath coffeemaker.
24. Use only the Cuisinart® Gold Tone Commercial Style Filter or standard #4 basket paper filter with this unit. OTHER GOLD TONE PERMANENT FILTERS MAY CAUSE THE COFFEEMAKER TO OVERFLOW.
25. Do not operate your appliance in an appliance garage or under a wall cabinet. When storing in an appliance garage always unplug the unit from the electrical outlet. Not doing so could create a risk of fire, especially if the appliance touches the walls of the garage or the door touches the unit as it closes.

Warning

This content is compiled from multiple sources and is provided for reference purposes only. It may not be complete or fully applicable to all situations. If you are unable to resolve your issue, please contact the product manufacturer or an authorized service provider for official support.