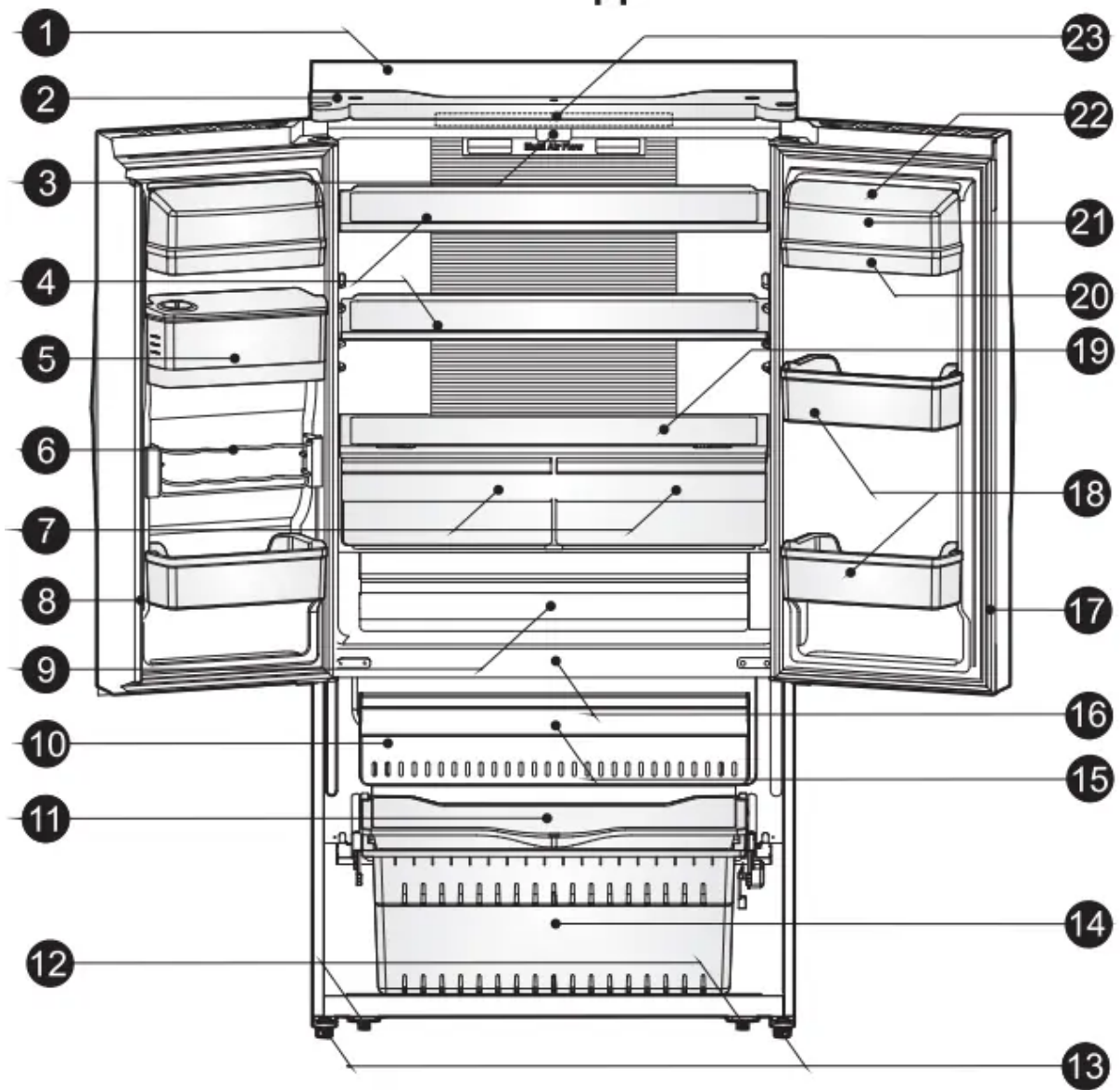
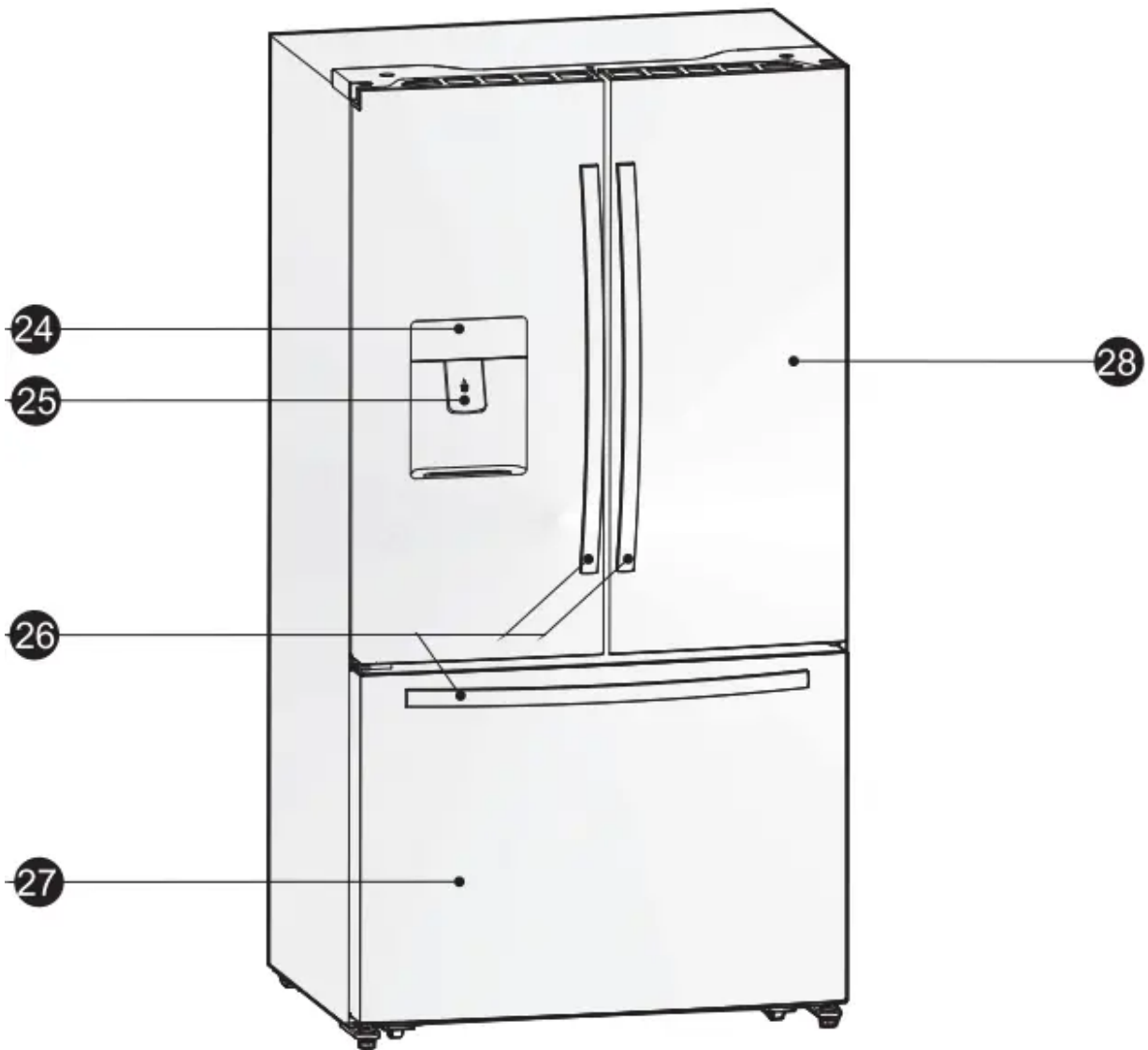


### Description of the appliance





1. Cabinet
2. Top cover
3. Vertical baffle guide block
4. Glass shelf
5. Water storage box
6. Flexible pop can rack
7. Fruit and vegetables crisper
8. Vertical baffle part
9. My fresh choice
10. Twistable ice tray (inside)
11. Serving tray
12. Rollers
13. Adjustable bottom feet

14. Lower freezer drawer
15. Upper freezer drawer
16. Freezer LED light (inside)
17. Refrigerator door seal
18. Lower rack
19. Crisper cover
20. Upper rack
21. Egg tray (inside)
22. Rack cover
23. Refrigerator LED light (inside)
24. Display board
25. Cold water dispenser
26. Handles
27. Freezer door
28. Refrigerator door

**Note:** Due to constant improvement of our products, your refrigerator may be slightly different from the above illustration, but its functions and using methods remain the same.

**Note:** To get the best energy efficiency of this product, please place all shelves, drawers and baskets on their original position as the illustration above.

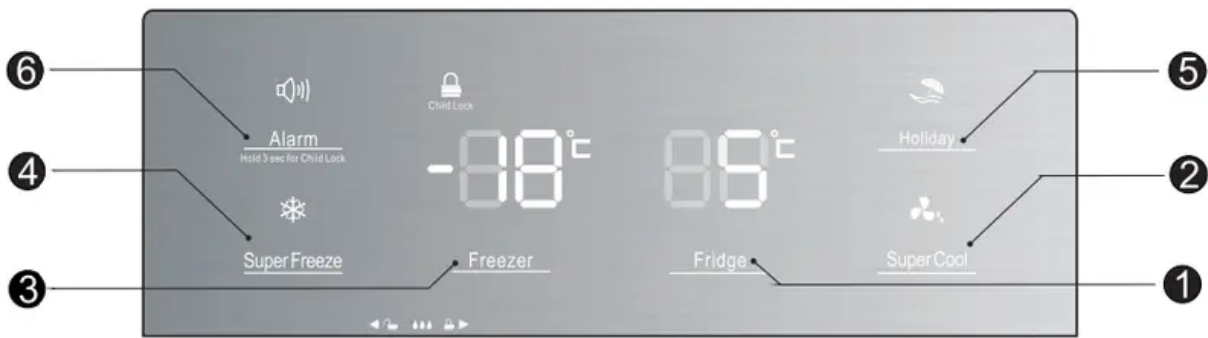
## Display controls

All functions and controls of the unit are accessible from a control panel conveniently located on the door of the refrigerator. A keypad of touch buttons and a digital display allow easy configuration of features and settings in a simple and intuitive manner.

**Important!** Touch buttons require only a short press on a button to operate. The operation occurs when releasing your finger from the button, not while the button is pressed. There is no need for applying pressure on the keypad.

Only some functions related to the "Holiday" and "Alarm" buttons require a long touch of at least 3 sec. Please refer to those related sections of this Manual for detailed instructions.

The control panel consists of two indicating temperature areas, five icons representing different modes and six touch buttons. When the appliance is powered on for the first time, the backlight of the icons on display panel turns on. If no buttons have been pressed and the doors remains closed, the backlight will turn off after 60 sec.



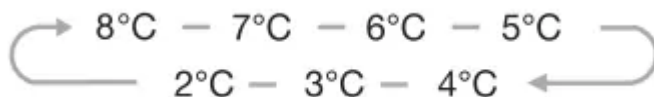
## Controlling the temperature

We recommend that when you start your refrigerator for the first time, the temperature for the refrigerator is set to 5°C and the freezer to -18°C. If you want to change the temperature, follow the instructions below.

**Caution!** When you set a temperature, you set an average temperature for the whole refrigerator cabinet. Temperatures inside each compartment may vary from the temperature values displayed on the panel, depending on how much food you store and where you place them. Ambient temperature may also affect the actual temperature inside the appliance.

### 1. Fridge

Press 'Fridge' button repeatedly to set your desired fridge temperature between 8°C and 2°C, the temperature will increase 1°C degrees with each press and the fridge temperature indicator will display corresponding value according to the following sequence.



### 2. Super Cool

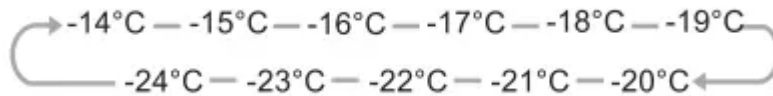


Super Cool can refrigerate the food quicker and keep food fresh for a longer period.

- Press "Super Cool" button to activate this function. The Super Cool icon will light up and the Fridge temperature indicator will display 2°C. Super cool automatically switches off after 6 hours.
- Press "Super Cool" or "Fridge" to cancel super cool mode and revert to previous temperature settings.

### 3. Freezer

Press "Freezer" button to set the freezer temperature between -14°C and -24°C to suit your desired temperature, and the freezer temperature indicator will display corresponding value according to the following sequence.



#### 4. Super Freeze

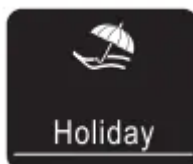


Super Freeze can rapidly lower frozen temperature and freeze your food substantially faster than usual. This feature also helps to keep the vitamins and nutrition of fresh food for longer period.

- Press "Super Freeze" button to activate the super freeze function. The Super Freeze light will be illuminated and the freezer temperature setting will display -24°C.
- For first time use, or after a period of inactivity, allow 6 hours of normal operation before using Super Freeze mode. This is particularly important if a large amount of food is placed in the freezer.
- Super freeze automatically switches off after 26 hours of usage and the freezer temperature goes to below -20°C.
- Press "Super Freeze" or "Freezer" to cancel Super Freeze mode and revert to previous temperature settings.

**Note:** When selecting the Super Freeze function, ensure there are no bottled or canned drinks (especially carbonated drinks) in the freezer compartment. Bottles and cans may explode.

#### 5. Holiday



This function is designed to minimise the energy consumption and electricity bills

Fridge is not in use for a long period of time. You can activate this function by pressing "Holiday" button for 3 sec until the Holiday light icon is illuminated.

**Important!** Do not store any food in the refrigerator chamber during this time.

- When the holiday function is activated, the temperature of the refrigerator is automatically switched to 15°C to minimise the energy consumption. The refrigerator temperature setting displays and the freezer compartment remains on.
- Press any button to cancel Holiday mode and revert to previous temperature settings.

## 6. Alarm



In case of alarm, "Alarm" icon will light up and a buzzing sound will start.

Press "Alarm" button to stop alarm and buzzing then "Alarm" icon will turn off.

**Caution!** When the refrigerator is turned on after a period of inactivity, the Alarm may be activated. In this case, press "Alarm" button to cancel it.

### Door Alarm

The alarm light on and a buzzing sound indicate abnormal conditions, such as accidentally a door left open or that a power interruption to the unit has occurred.

- Leaving any door of refrigerator or freezer open for over 2 minutes will activate a door alarm and buzzer. The buzzer will beep 3 times per minute for 10 minutes. Closing the door cancels the door alarm and buzzer.
- To save energy, please avoid keeping doors open for a long time when using refrigerator. The door alarm can also be cleared by closing the doors.

### Temperature alarm

This is an important feature that alerts users of potential damage to stored food. If a power failure occurs, for example a blackout in your area of residence while you are away, the temperature alarm will memorize the temperature of the freezer when power was restored to the unit; this is likely to be the maximum temperature reached by frozen items.

A temperature alarm condition will be indicated by Alarm light and buzzer when the temperature reading is warmer than -9°C, then

- a- The Alarm icon lights up;
- b- The freezer temperature indicator displays "H";
- c- The buzzer beeping 10 times when the alarm is triggered and stop automatically.

## Child Lock



Press and hold the “Alarm” button for 3 seconds to activate the child lock.

This will disable the display to prevent accidental changes to settings. Meanwhile, the “Child Lock” icon will be illuminated.

- To turn the child lock off, press and hold the “Alarm” button for 3 seconds. The “Child Lock” icon will be turned off.

## Using your appliance

This section explains that how to use the refrigerator features. We recommend that you read through carefully before using the appliance.

### Cold water dispenser

The cold water dispenser, located in the left refrigerator door, is used for storing drinking water. This feature provides chilled water easily without opening the door.

### Cleaning

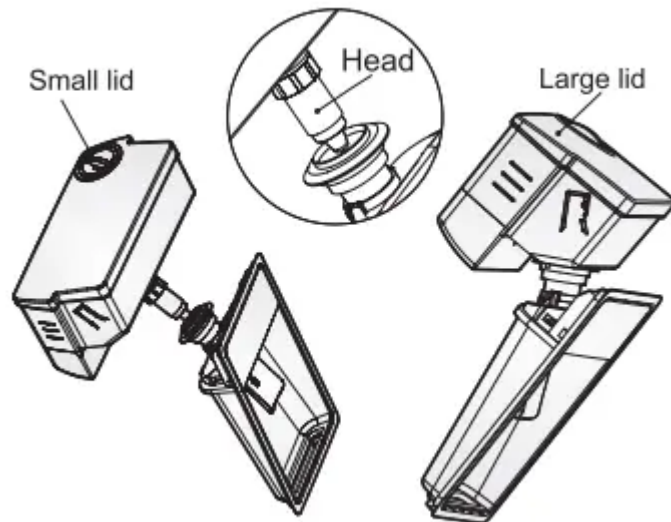
Please clean the water dispenser before using it for the first time.

1. Put the water container out of the door carefully, and then wash the container, lids, and head lightly with water.
2. After you have cleaned the water dispenser, dry it in a natural way or using dry cloths.

### Assembling

Please refer to the following instruction to reassemble the dispenser.

1. Hold tightly both sides of the water container then lift it up and put it out from the door.
2. Unscrew the head in counterclockwise direction.
3. Insert them back on the door and push the container until you hear a click sound.



**Warning!** When inserting the water container, ensure the head sits correctly into the hole first.

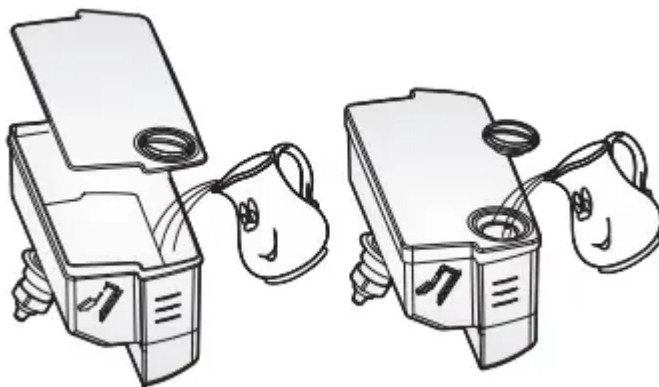
### Filling water

Before you fill the drinking water into the water container, ensure that the water container is steady and placed into a correct position.

To prevent water from overflowing and spilling, fill the water container below the maximum level mark which is approximately about 4.0L. There are two ways to fill the water container:

1. By removing the small lid and fill water from the inlet of the large lid.
2. By removing the large lid of the tank, and then fill water directly.

**Caution!** Do not fill any other liquid than water inside the water container.



### Lock

Before you dispense the water, ensure that the dispenser is in "unlock" position.

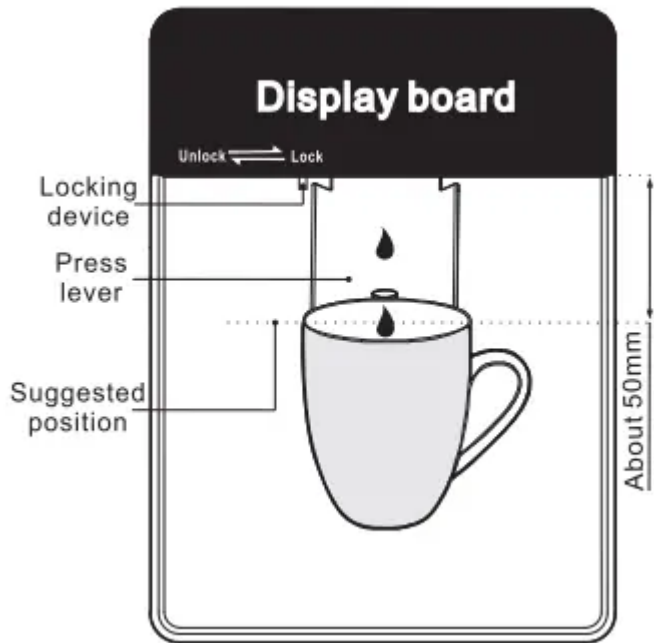
**Warning:** The lock feature is used to lock the device. Don't push strongly the dispenser lever when the dispenser is in "lock" position, this may damage and break the dispenser.

## Using water dispenser

You should use a suitable cup size to fill the water underneath the water dispenser.

**Warning!** Don't pull the dispenser lever out without a cup underneath; this may cause the water leak from the dispenser.

Keep the water supply device installed when the water dispenser is out of use to prevent cold air leakage.



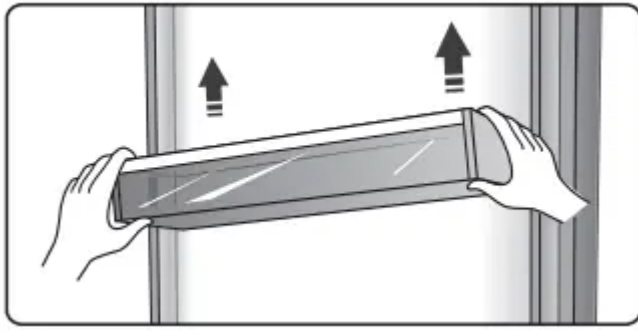
**Note:** Frequently usage of the water dispenser could spill drops on the tray which may overflow. Dry the tray with a towel as required.

## Door rack

The refrigerator chamber is fitted with door racks suitable for storing canned liquid, bottled drinks and packed food. Do not place a large amount of heavy food and items inside door racks.

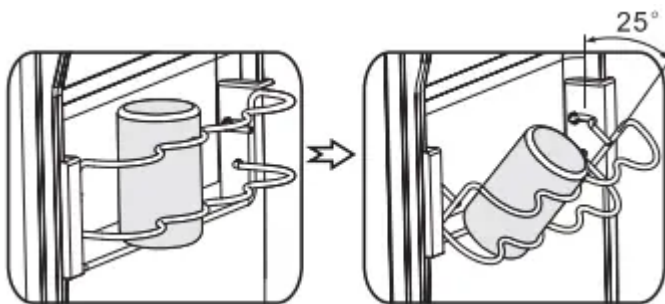
- The middle door shelf is designed to adjust at different heights according to your requirements. Please empty the rack before lifting upward to remove it. Then reposition the rack at the desired height.

**Note:** There is an egg tray provided that should be located in the upper rack.



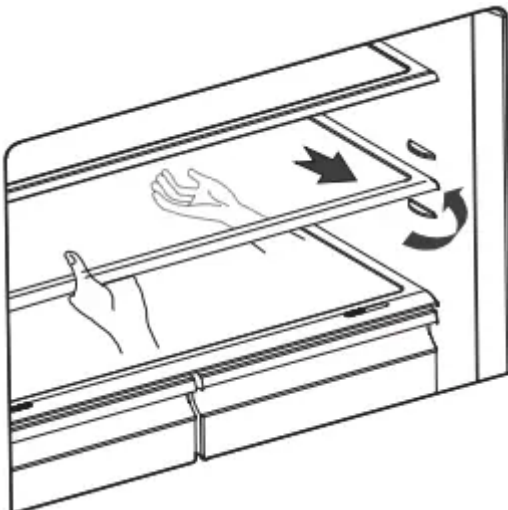
### Pop can rack

- This rack stores up to 4 cans of standard size, but it is not suitable for cans with diameter smaller than 50mm. The rack also can rotate 25° along the shelf if required, to facilitate storing or taking drinks.

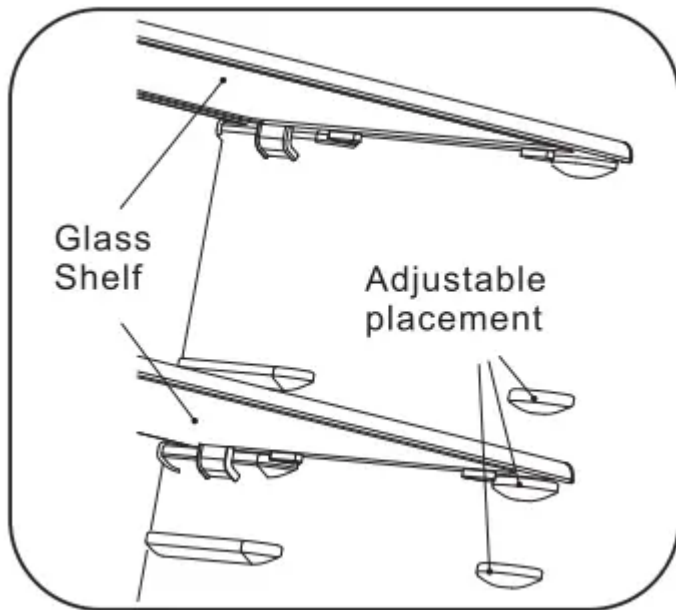


### Glass shelves

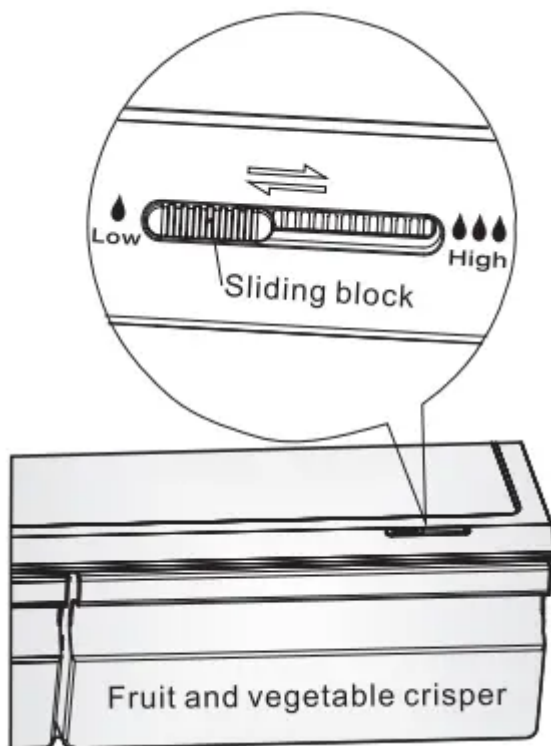
The refrigerator chamber is provided with two glass shelves. While the top shelf is designed to be fixed, the lower shelf is adjustable. There are three placements for relocating the lower shelf. Adjust the height of the shelf according to your need:



- When removing the shelves, gently pull them forward until they exit the guides.
- When you return the shelves, make sure there is no obstacle behind and gently push them into the position.



### Crisper and humidity control



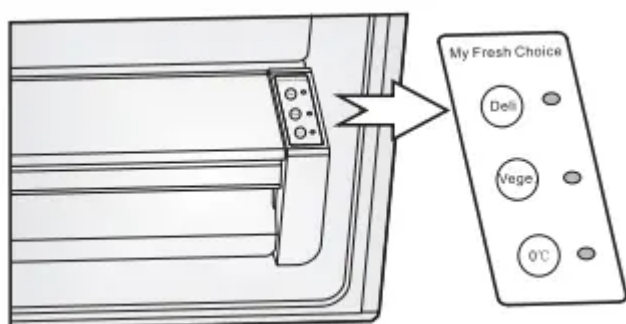
The crisper, mounted on telescopic extension slides, is for storing vegetables and fruits. You can adjust the humidity inside by using the sliding block.

- The humidity control adjusts the airflow in the crisper; higher airflow results in lower humidity. Slide the humidity control to the right in order to increase humidity.
- High humidity settings are recommended for vegetables, while low humidity is suitable for preservation of fruit.

- Follow these simple instructions to remove the crisper chamber, or freezer drawer, for cleaning. Empty the crisper chamber; pull it out to fully open position. Lift the crisper from the lateral slides. Push the slides fully in to avoid damage when closing the door.

### My Fresh Choice. Precision control of temperature (Optional)

Food can be preserved fresh for longer periods when stored at their optimal temperature, but different types of food require different storage temperatures. There is a chill drawer display on the right of the drawer. The temperature of the compartment can be set at 0°C, 3°C, and 5°C to suit either meat, or fruits and vegetables, or deli products respectively by using “My Fresh Choice” buttons. Please refer to the table below for the recommended settings to suit your storage needs.



<i>Deli[5°C]</i>	<i>Vege.[3°C]</i>	<i>0°C[0°C]</i>
<i>Cheese</i>	<i>Cucumber</i>	<i>Steaks</i>
<i>Ham</i>	<i>Lettuce</i>	<i>Fish</i>
<i>Salami</i>	<i>Oranges</i>	<i>Cold cuts</i>
<i>Olives</i>	<i>Corn</i>	<i>Poultry</i>

### Using the refrigerator chamber

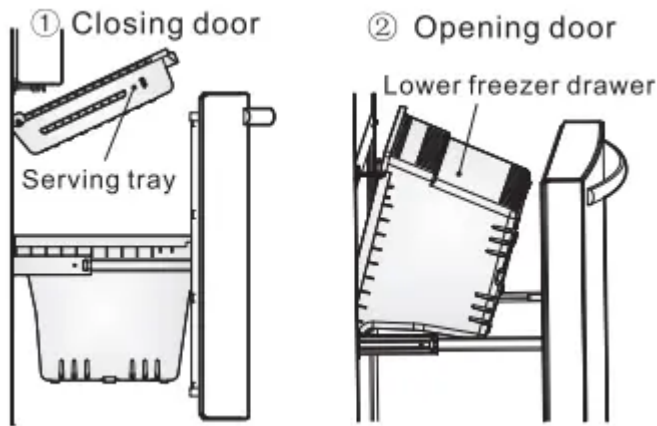
The refrigerator chamber is suitable for storage of vegetable and fruits. Separate packing of different foods is recommended to avoid losing moisture or flavour permeating into other foods.

**Caution!** Never close doors while the shelves, crisper and/or telescopic slides are extended. It may damage the unit.

### Using the freezer drawer

Freezer drawer is suitable for storing food required to be frozen, such as meat, ice cream, etc.

To remove the freezer drawer pull it out fully, tilt up the serving tray and lift it out, then open the refrigerator doors to the maximum angle and the lower freezer drawer can be taken out, as shown in the following pictures.

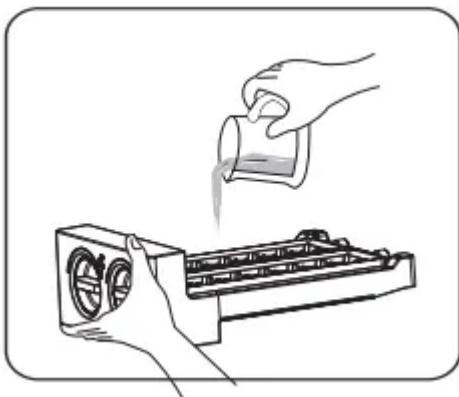


**Caution:** Do not allow babies or children go inside the refrigerator, as they could injure themselves or damage the refrigerator. Do not sit on the freezer door. The door may break. Do not allow children to climb into the freezer basket.

If you remove the divider to clean the basket bin, you must reinstall the divider after cleaning to prevent children from getting trapped inside the basket.

### Twistable ice tray

- Twistable ice tray is placed in the upper freezer drawer to make and store ice cubes.
1. Pull out the twistable ice tray from the installation bracket.
  2. Fill with drinking water below the maximum level mark.
  3. Place the filled ice tray back to the bracket.
  4. Await for around 3 hours, twist the knobs clockwise and the ice will drop into the ice box below.



5. Ice cubes can be stored in the ice box, if you need them, you can pull out the ice box and take them out.

**Note:** If the ice tray is used for the first time or has not been used for a long time, please clean it before using.

## Helpful hints and tips

### Energy saving tips

We recommend that you follow the tips below to save energy.

- Try to avoid keeping the door open for long periods in order to conserve energy.
- Ensure the appliance is away from any sources of heat (Direct sunlight, electric oven or cooker etc).
- Don't set the temperature colder than necessary.
- Don't store warm food or evaporating liquid in the appliance.
- Place the appliance in a well ventilated, humidity free, room. Please refer to Installing your new appliance chapter.
- View 1 under the "Description of the appliance" section shows the correct arrangement for the drawers, crisper and shelves, do not adjust the combination as this is designed to be the most energy efficient configuration.

### Hints for fresh food refrigeration

- Do not place hot food directly into the refrigerator or freezer, the internal temperature will increase resulting in the compressor having to work harder and will consume more energy.
- Do cover or wrap the food, particularly if it has a strong flavor.
- Place food properly so that air can circulate freely around it.

### Hints for refrigeration

- Meat (All Types) Wrap in polythene food: wrap and place on the glass shelf above the vegetable drawer. Always follow food storage times and use by dates suggested by manufacturers.
- Cooked food, cold dishes, etc.:
- They should be covered and may be placed on any shelf.
- Fruit and vegetables:
- They should be stored in the special drawer provided.
- Butter and cheese: Should be wrapped in airtight foil or plastic film wrap.
- Milk bottles: Should have a lid and be stored in the door racks

### Hints for freezing

- When first starting-up or after a period out of use, let the appliance run at least 2 hours on the higher settings before putting food in the compartment.
- Prepare food in small portions to enable it to be rapidly and completely frozen and to make it possible to subsequently thaw only the quantity required.

- Wrap up the food in aluminum foil or polyethylene food wraps which are airtight.
- Do not allow fresh, unfrozen food to touch the food which is already frozen to avoid temperature rise of the latter.
- Iced products, if consumed immediately after removal from the freezer compartment, will probably cause frost burns to the skin.
- It is recommended to label and date each frozen package in order to keep track of the storage time.

### **Hints for the storage of frozen food**

- Ensure that frozen food has been stored correctly by the food retailer
- Once defrosted, food will deteriorate rapidly and should not be re-frozen. Do not exceed the storage period indicated by the food manufacturer.

### **Switching off your appliance**

If the appliance needs to be switched off for an extended period, the following steps should be taken to prevent mould on the appliance.

1. Remove all food.
2. Remove the power plug from the mains socket.
3. Clean and dry the interior thoroughly.
4. Ensure that all the doors are wedged open slightly to allow air to circulate.

## **Cleaning and care**

For hygienic reasons the appliance (including exterior and interior accessories) should be cleaned regularly at least every two months.

**Caution!** The appliance must not be connected to the mains during cleaning. Danger of electrical shock! Before cleaning switch the appliance off and remove the plug from the mains socket.

### **Exterior cleaning**

To maintain good appearance of your appliance, you should clean it regularly. -Wipe the digital panel and display panel with a clean, soft cloth.

- Spray water onto the cleaning cloth instead of spraying directly on the surface of the appliance. This helps ensure an even distribution of moisture to the surface.
- Clean the doors, handles and cabinet surfaces with a mild detergent and then wipe dry with a soft cloth.

### **Caution!**

- Don't use sharp objects as they are likely to scratch the surface.

- Don't use Thinner, Car detergent, Clorox, ethereal oil, abrasive cleansers or organic solvent such as Benzene for cleaning. They may damage the surface of the appliance and may cause fire.

## Interior cleaning

- You should clean the appliance interior regularly. It will be easier to clean when food stocks are low. Wipe the inside of the fridge freezer with a weak solution of bicarbonate of soda, and then rinse with warm water using a wrung-out sponge or cloth. Wipe completely dry before replacing the shelves and baskets.

Thoroughly dry all surfaces and removable parts.

- Although this appliance automatically defrosts, a layer of frost may occur on the freezer compartment's interior walls if the freezer door is opened frequently or kept open too long. If the frost is too thick, choose a time when the supply of food stocks are low and proceed as follows:
  1. Remove existing food and accessories baskets, unplug the appliance from the mains power and leave the doors open. Ventilate the room thoroughly to accelerate the thawing process.
  2. When defrosting is completed, clean your freezer as described above.

**Caution!** Don't use sharp objects to remove frost from the freezer compartment. Only after the interior is completely dry should the appliance be switched back on and plugged back into the mains socket.

## Door seals cleaning

Take care to keep door seals clean. Sticky food and drinks can cause seals to stick to the cabinet and tear when you open the door. Wash seal with a mild detergent and warm water. Rinse and dry it thoroughly after cleaning.

**Caution!** Only after the door seals are completely dry should the appliance be powered on.

**Warning!** The LED light must not be replaced by the user! If the LED light is damaged, contact the customer helpline for assistance.

## Troubleshooting

If you experience a problem with your appliance or are concerned that the appliance is not functioning correctly, you can carry out some easy checks before calling for service, please see below. You can carry out some easy checks according to this section before calling for service.

**Warning!** Don't try to repair the appliance yourself. If the problem persists after you have made the checks mentioned below, contact a qualified electrician, authorized service engineer or the shop where you purchased the product.

<b>Problem</b>	<b>Possible cause &amp; Solution</b>
Appliance is not working correctly	Check whether the power cord is plugged into the power outlet properly.
	Check the fuse or circuit of your power supply, replace if necessary.
	It is normal that the freezer is not operating during the automatic defrost cycle, or for a short period of time after the appliance is switched on to protect the compressor.
Odours from the compartments	The interior of the refrigerator may need to be cleaned.
	Some food, containers or wrapping cause odours.
Noise from the appliance	<p>The sounds below are quite normal:</p> <ul style="list-style-type: none"> <li>• Compressor running noises.</li> <li>• Air movement noise from the small fan motor in the freezer compartment or other compartments.</li> <li>• Gurgling sound similar to water boiling.</li> <li>• Popping noise during automatic defrosting.</li> <li>• Clicking noise before the compressor starts.</li> </ul>
	<p>Other unusual noises are due to the reasons below and may need you to check and take action:</p> <p>The cabinet is not level.</p> <p>The back of appliance touches the wall.</p> <p>Bottles or containers fallen or rolling.</p>

<p>The motor runs continuously</p>	<p>It is normal to frequently hear the sound of the motor, it will need to run more when in following circumstances:</p> <ul style="list-style-type: none"> <li>• Temperature setting is set colder than necessary</li> <li>• Large quantity of warm food has recently been stored within the appliance.</li> <li>• The temperature outside the appliance is too high.</li> <li>• Doors are kept open for a long period.</li> <li>• After your installing the appliance or it has been switched off for a long time.</li> </ul>
<p>A layer of frost occurs in the compartment</p>	<p>Check that the air outlets are not blocked by food and ensure food is placed within the appliance to allow sufficient ventilation. Ensure that door is fully closed. To remove the frost, please refer to "<i>Cleaning and care</i>" section.</p>
<p>Temperature inside is too warm</p>	<p>&gt;bu may have left the doors open too long or too frequently; or the doors are kept open by some obstacle; or the appliance is located with insufficient clearance at the sides, back and top.</p>
<p>Temperature inside is too cold</p>	<p>Increase the temperature by following the "<i>Display controls</i>" chapter.</p>
<p>Doors can't be closed easily</p>	<p>Check whether the top of the refrigerator is tilted back by 10-15mm to allow the doors to self close, or if something inside is preventing the doors from closing.</p>
<p>Water drips on the floor</p>	<p>The water pan (located at the rear bottom of the cabinet) may not be properly leveled, or the draining spout ( located underneath the top of the compressor depot) may not be properly positioned to direct water into this pan, or the water spout is</p>

	<p>blocked. Vbu may need to pull the refrigerator away from the wall to check the pan and spout.</p>
<p>The light is not working</p>	<p>The LED light may be damaged. Refer to replace LED lights in cleaning and care chapter.</p> <p>The control system has disabled the lights due to the door being kept open too long, close and reopens the door to reactivate the lights.</p>
<p>Doors does not open smoothly</p>	<p>Check the door seal, and if it is necessary clean the rubber gasket seal around the edges of the door using dish soap and warm water. Dirt and grime can collect here and cause door stick to the fridge.</p>

**Warning**

This content is compiled from multiple sources and is provided for reference purposes only. It may not be complete or fully applicable to all situations. If you are unable to resolve your issue, please contact the product manufacturer or an authorized service provider for official support.

