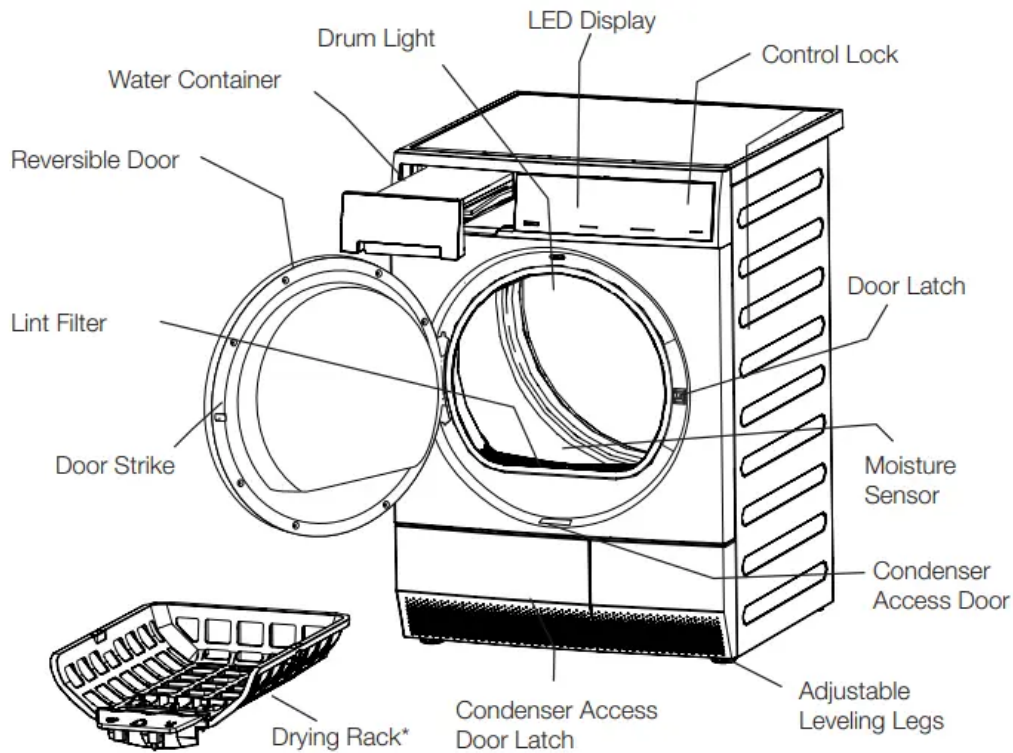


Features



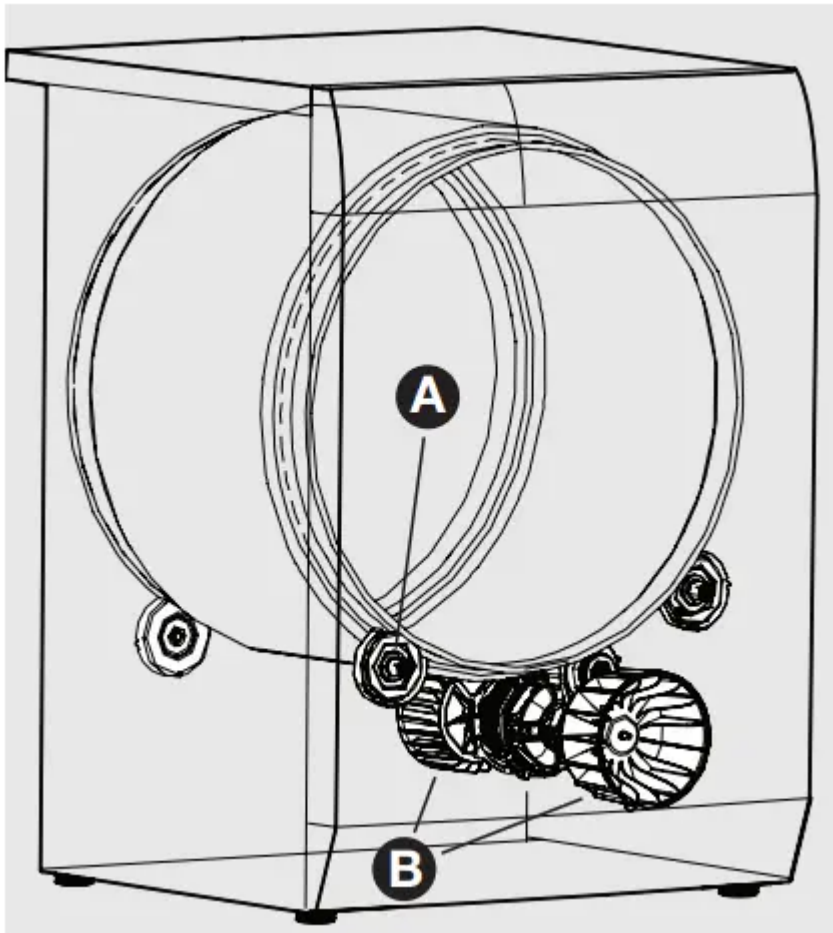
*Not all models come with drying rack and stacking kit from the factory. They may be purchased as accessories.

Operating Instructions

Normal Operating Sounds

A. SUSPENSION ROLLERS

The dryer drum is supported by a set of suspension rollers. At times there may be a thumping or rolling sound when the dryer starts. This may happen if the dryer has not been in use for a period of time, or after a heavy load has remained in the dryer drum for an extended period, creating a temporary flat spot on the edge of the roller. The noise should dissipate as the dryer operates and the flat spots smooth out.

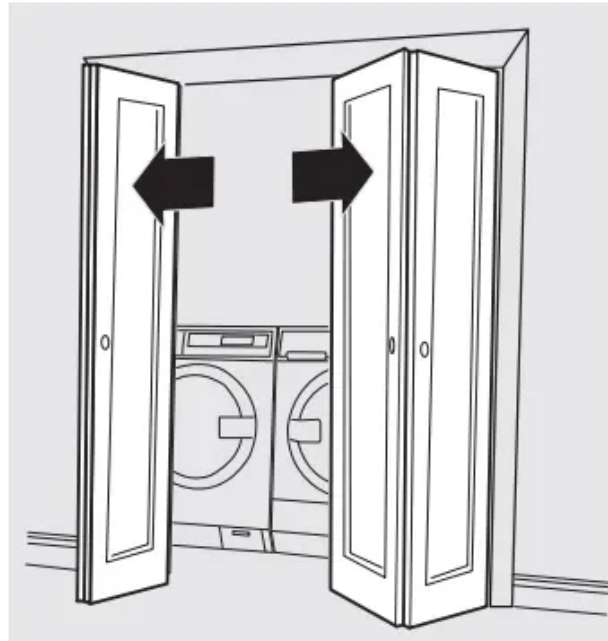
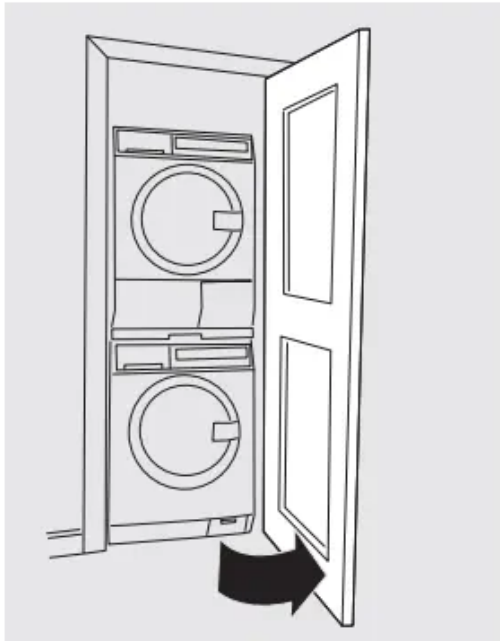


B. AIR FLOW SYSTEM

Your dryer is equipped with a high volume air handling system. In some installations there may be some sounds associated with air movement throughout the dryer. This is normal and can vary with load size and type.

CAUTION :Do not continue to use the dryer if you hear squeaking, grinding, rubbing or other unusual noises. This could be a sign of mechanical breakdown and lead to fire or serious injury. Contact a qualified technician immediately.

IMPORTANT: If installing the dryer in a closet, the closet door must remain open while the dryer is running to allow correct air circulation. This condensation process requires access to cool air from the room.



Operating Your Dryer

WARNING To reduce the risk of fire, electric shock or injury to persons, read the **IMPORTANT SAFETY INSTRUCTIONS** in this Use & Care Guide before operating your dryer.

WARNING DO NOT operate dryer without lint filter in place.

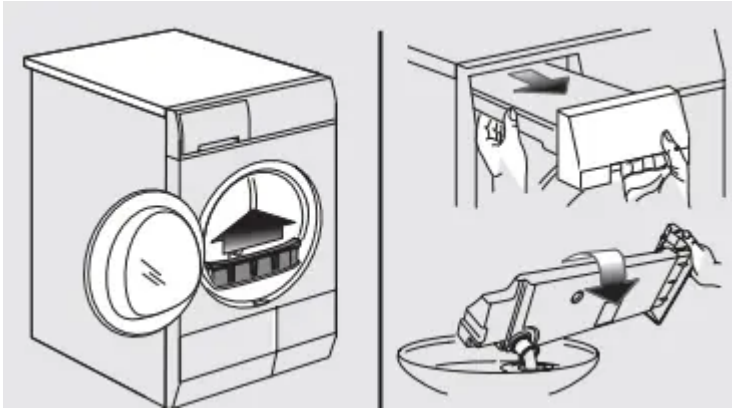
WARNING Clean the lint filter and empty the water container after every load

STEPS -TIPS

1.Prepare load for drying.

- Dry items of similar fabric, weight and construction in the same load.
- Separate dark items from light-colored items. Separate items that shed lint from those that attract lint.
- Check for stains which may not have been removed in washing. Repeat stain removal process and wash again before drying. Dryer heat may permanently set some stains.
- Place delicate, rubber coated, or small items in a mesh bag (not included).
- Be sure buckles, buttons and trim are heatproof and won't damage the drum finish. Close zippers; fasten hooks and loop fasteners. Tie strings and sashes to prevent snagging and tangling.

2. Check that the lint filter is clean, the water container is empty, and both are in place.



IMPORTANT: DO NOT operate dryer without lint filter in place.

3. Load the dryer and close the door.

- Load items loosely. The average wet load will fill the drum 1/3 to 1/2 full. Items need room to tumble freely for even drying and less wrinkling.
- When drying large items, dry only two or three items at a time. Fill out the load with smaller items.
- For delicate or very small loads, add two or three similar items to improve tumbling action.

IMPORTANT

- DO NOT overload the dryer. To save energy, time and avoid uneven drying and wrinkling avoid overloading the dryer.
- Fabric softener sheets are NOT recommended with this condensing dryer.

4. Turn on the Power and select the appropriate cycle and settings for each load.

- See Cycle Selection and Cycle Settings for detailed descriptions of cycle controls.
- See Cycle Settings Chart to determine which settings are available for each cycle.
- To provide the best care, not every setting or option is available with every cycle. If a setting or option is not available for the cycle selected, the indicator will not light. See Setting Chart for information of available options for each cycle by model.
- After some time of initial usage, the dryer will automatically remember the 3 most used cycles with their settings and options.

IMPORTANT DO NOT over-dry. Over-drying can cause wrinkles, shrinkage, lint, and a build up of static electricity.

5. Close the dryer door and start the drying cycle.

- To start the drying cycle, close the door and press the Start/Pause button.
- To add an item to the dryer drum, press **Start/ Pause**. "PAUSE" will be displayed alternately with the estimated remaining cycle time. Opening the door with a cycle

running will also pause the cycle. Add the item, close the door and press **Start/ Pause** again to resume the cycle.

- To change settings or options after the cycle has begun, press Start/Pause, change the settings, and then press Start/Pause again. If the cycle is not paused first, the unit will emit several beeps when the buttons are pressed but no changes to the cycle will be applied.
- To change the cycle once the cycle has begun, press the **Power** button to turn off the unit and cancel the cycle. Press the **Power** button again to turn on the unit and select the new cycle, and press **Start/Pause** to begin. Changing a cycle selection without cancelling the current **WILL NOT** change the cycle.
- To cancel a cycle, press the Power button to turn off the unit.

IMPORTANT :When drying a single large or bulky item, such as a comforter, pause the cycle part way through to turn the item “inside out” and maximize drying effectiveness.

6. Remove items when done.

- A signal will sound at the end of the cycle if the chime option has been selected.
- Immediately remove items when the cycle is completed and hang or fold.

7. Clean the lint filter and the water container.

- See Care and Cleaning section of this instruction.
- **CLEAN LINT** will be displayed at the end of the cycle as a reminder to remove lint from filter.


IMPORTANT ALWAYS CLEAN LINT FROM FILTER and DRAIN WATER CONTAINER at the end of each cycle (see warning on previous page).

Controls and Settings



This manual covers many models and not all cycles, options, or features listed are available on every model. Console shown above for reference only. Your model may differ.

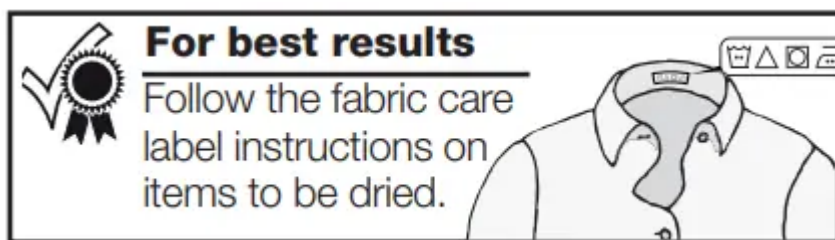
Cycle Selection

Press the **Power** button  to turn on the unit. Press the icon for the desired cycle.

The indicator light for the cycle selected will be illuminated and the estimated drying time for Auto Dry cycles or the actual drying time for Time Dry cycles will be displayed on the display screen.

Default settings and options will automatically be indicated for the cycle selected. In most cases cycle settings and options can be changed. See *Cycle Settings*, *Cycle Options*, and *Setting Charts* for more details.

To change the cycle once the cycle has begun, press the **Power** button to turn off the unit, press **Power** again to turn the unit back on, select a new cycle, and press the **Start/Pause** button. Just pressing another cycle icon will **NOT** change the cycle.



Auto Dry Cycles

Auto Dry cycles take the guesswork out of selecting the correct drying time for each load. Moisture sensors sense the moisture level of the load as it tumbles through the heated air. With Auto Dry cycles, the load will automatically be dried at the selected temperature to the desired dryness level.

Auto Dry cycles save time and energy and protect fabrics. When the load has reached the selected dryness level, it will continue to tumble, unheated, during a cool down period. This helps reduce wrinkling and makes items easier to handle during unloading.

Drying times vary depending on size and dampness of the load and fabric type. If the load is too small or almost dry, the moisture sensors may not detect enough moisture to continue the cycle and the cycle may end after a few minutes. If this occurs, select a Timed Dry cycle.

Room temperature, and electrical voltage can also affect drying time.

NOTE Initial cycle times for Auto Dry cycles are only estimates, the actual drying time may differ slightly from the time displayed.

normal

Select this Auto Dry cycle for cotton items.

heavy duty

Select this Auto Dry cycle to dry durable fabrics such as jeans and overalls.

delicates

Select this Auto Dry cycle for knits and delicate items.

casual

Select this Auto Dry cycle for cottons and blends with a no-iron finish.

mixed load

Select this Auto Dry cycle to dry loads containing a mix of fabrics.

touch up

Select touch up to help remove wrinkles from clean and dry items that were not taken from the dryer at the end of the cycle, have been stored in crowded closets or drawers, or unpacked from luggage following a trip. It provides approximately 10 minutes of low heat tumbling followed by a 25-minute cool down period.

towels

Select this cycle to dry heavy loads such as towels and non-rubber-backed bath mats.

Specialty Cycle Selection

Specialty Cycles

To scroll through the specialty cycles, continue to press the **specialty cycles** icon. The selected cycle will be shown on the text display.

jeans

Select this Auto Dry cycle for drying an entire load of denim jeans.

fast dry

Quickly dry a small load.

wool

Use the wool cycle with washable woolens -check your fabric care label to ensure proper garment care. To help your wool items keep their shape, use of optional drying rack is recommended.

Timed Dry Cycles dry time

To manually select the drying time for this specialty cycle, press the **dry time** icon.

Press icon to scroll through time increments. Actual drying time (20 min. to 120 min.) will be displayed.

Because this is not an Auto Dry cycle, you will not be able to select a dryness level. Moisture sensing bars are not active and dryer will continue to heat throughout the cycle until the final cool down period.

Cycle Settings

Appropriate temperature, dryness level and options will be displayed for each cycle. The settings can be changed before the cycle is started. If changes are attempted after the cycle starts a signal will beep and "Not possible" will be displayed.

NOTE: To change settings after the cycle starts, press **Start/Pause**, adjust the setting, and press **Start/Pause** to resume the cycle.

Drying Temperature

To change the preset temperature, press the “+” and “-” **temperature** icons to scroll to the desired.

To protect your fabrics, not all temperatures are available with every cycle. The indicator will not light if the setting is not available with that cycle.

max 

Recommended for durable fabrics and towels.

medium 

Recommended for most cotton fabrics.

low 

Recommended for delicate fabrics.

WARNING

FIRE HAZARD To avoid fire hazard, DO NOT dry items containing feathers or down, foam rubber, plastics similarly textured, rubber-like materials.

Dryness Level (Auto Dry)

To change the preset level, press the **dryness** icon to scroll to the degree of dryness desired. To protect your fabrics, not all dryness levels are available with every cycle. If a dryness level is not appropriate for the cycle, it cannot be selected.



Select the **normal** dry level for most Auto Dry cycles.



Occasionally a load may seem too damp or over-dried at the end of the cycle.

To increase drying time for similar loads in the future, select **max**.



For loads requiring less drying time, select **less** .



Select **damp** for items you wish to partially dry before hanging or ironing.

Cycle Options

To add options, press the corresponding option's icon to illuminate the selection desired.

To delete options, press the option's icon again and the indicator light will turn off. If an option is not appropriate for the cycle, the indicator will not light. To protect your fabrics, not all options are available with every cycle. Not all options are available on every model.

NOTE: To change the options once the cycle has begun, press **Start/Pause**, make the new selection and press **Start/Pause** again.

wrinkle release

Select **wrinkle release** if the dried load might not be removed promptly at the end of the cycle. The dry load will continue tumbling without heat to help reduce wrinkling. If the chime option is also selected, a beep will be heard periodically. The load may be removed any time during **wrinkle release**.

chime

A signal will sound at the end of the cycle (and periodically during **wrinkle release**) if this option is selected.

Cycle Settings Chart

These Temperatures, Dryness Level, and Options are available with the following cycles:

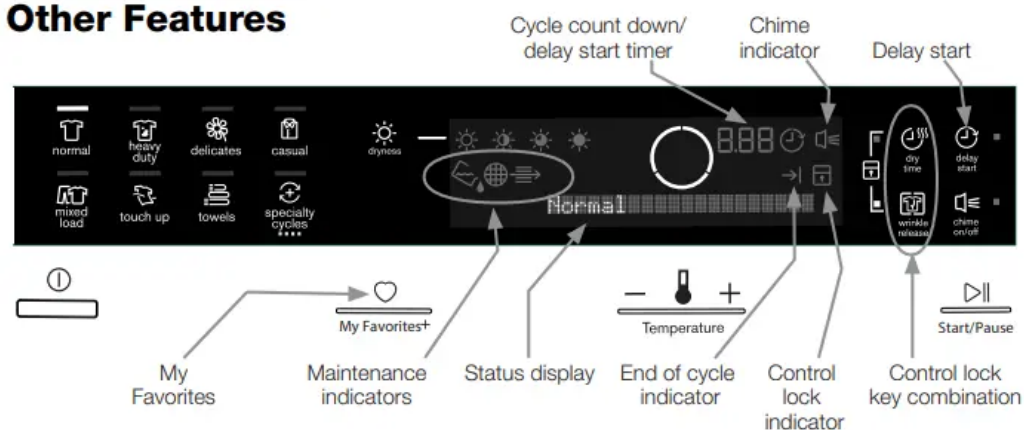
| | normal | heavy duty | delicates | casual | mixed load | touch up | towels | specialty cycles | | | |
|--------------------|--------|------------|-----------|--------|------------|----------|--------|------------------|----------|------|----------|
| | | | | | | | | jeans | fast dry | wool | time dry |
| temperature | | | | | | | | | | | |
| max | ✓ | ✓ | | ✓ | ✓ | | ✓ | ✓ | ■ | | ✓ |
| medium | ✓ | ✓ | | ✓ | ✓ | | ✓ | ✓ | | | ✓ |
| low | ✓ | ✓ | ■ | ✓ | ✓ | ■ | ✓ | ✓ | | ■ | ✓ |
| dryness | | | | | | | | | | | |
| max | ✓ | ✓ | | | ✓ | | ✓ | | | | |
| normal | ✓ | ✓ | ■ | ✓ | ✓ | | ■ | ■ | ■ | ■ | |
| less | ✓ | | | ✓ | ✓ | | ✓ | | | | |
| damp | ✓ | | | ✓ | ✓ | | | | | | |
| options | | | | | | | | | | | |
| wrinkle release | ✓ | ✓ | ✓ | ✓ | ✓ | ✓ | ✓ | ✓ | ✓ | | ✓ |
| dry time | | | | | | | | | | | |
| delay start | ✓ | ✓ | ✓ | ✓ | ✓ | ✓ | ✓ | ✓ | ✓ | ✓ | ✓ |
| chime | ✓ | ✓ | ✓ | ✓ | ✓ | ✓ | ✓ | ✓ | ✓ | ✓ | ✓ |

✓ = Available selections. ◻ = Cycle defaults. ■ = Non-modifiable presets.



Other Features

Other Features



My Favorites



After some time of initial usage, the dryer will automatically remember the 3 most used cycles with their settings and options. To cycle through this list continue to press the **My Favorites** button. Press **Start/Pause** after your desired cycle appears.

Delay Start

Press **delay start** to select a dry time convenient to your schedule or during off peak energy hours. The delay time selected will be displayed and begin counting down when you select **Start/Pause**.



Control Lock

To avoid having someone accidentally start or stop the dryer, press **dry time** and **wrinkle release** at the same time and hold until the indicator is lit. To unlock the controls, press  **dry time** and **wrinkle release** at the same time and hold until the  indicator is no longer lit.

Status Display/Status Lights

The estimated total cycle time will be displayed when the cycle is selected. The estimated remaining cycle time is displayed during the cycle.

Drum Light

The drum light will come on whenever the door is opened to illuminate the drum during loading and unloading. Closing the door turns off the light.

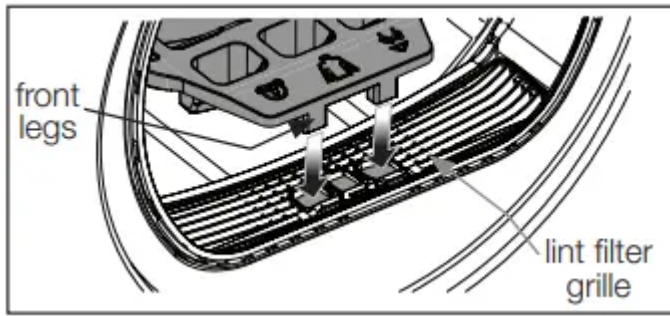
Reversible Door

Your dryer is equipped with a reversible door. The door can be hinged on the right or left side.

NOTE: For step-by-step instructions on DOOR REVERSAL, refer to the Installation Instructions supplied with this dryer.

Drying Rack (on select models)

Use the drying rack for items which should not be tumble dried. Insert the rack into the dryer drum and lower the front two “legs” into the openings on the lint filter grille.



Place items to be dried on top of the rack, leaving space between items and not allowing them to hang over the sides or through the holes. Select the low heat setting for items containing plastic, foam rubber, rubber-like materials, feathers or down.

When items are dry, remove the rack and store it in a convenient location.

NOTE If your model did not come supplied from the factory with a drying rack you may order one.

Care and Cleaning

Cleaning the Dryer

WARNING: To reduce risk of fire or serious injury to persons or property, comply with the basic warnings listed in the Important Safety Instructions and those listed below.

- Before cleaning the dryer interior, unplug the electrical power cord to avoid electrical shock hazards.
- Do not use any type spray cleanser when cleaning the dryer interior. Hazardous fumes or electrical shock could occur.

Inside

- Clean the lint filter after every load. Lint build-up on the filter restricts air flow, which causes longer drying times. The filter is located at the bottom of the door opening. Remove by pulling straight up. Remove the lint and replace the filter.
- Occasionally a waxy build-up may form on the lint filter and/or moisture sensing bars from using dryer-added fabric softener sheets. To remove this build-up, wash them with warm, soapy water. Dry the filter thoroughly and replace. Do not operate the dryer without the lint filter in place.
- If the dryer drum becomes stained from non colorfast fabrics, clean the drum with a damp cloth and a mild liquid household cleanser. Remove cleanser residue before drying the next load.

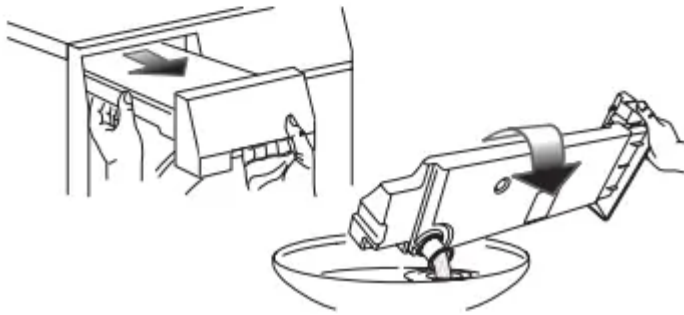
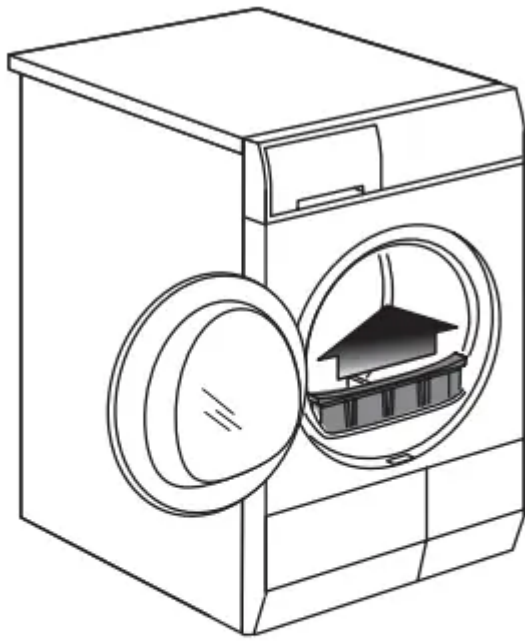
- See next page for more information regarding cleaning of the condenser assembly.

Outside

- Clean the cabinet with mild soap and water. Never use harsh, gritty or abrasive cleansers.
- Remove debris and lint from the front of the condenser door with a vacuum cleaner.
- Remove glue residue from tape or labels with a mixture of warm water and mild detergent. Or, touch residue with the sticky side of the tape or label.
- Before moving the dryer, place a strip of cardboard or thin fiberboard under the front leveling legs to prevent damage to the floor.




IMPORTANT Do not store or place laundry products on top of dryer at any time. They can damage the finish or controls.



IMPORTANT Clean the lint filter and dump water container after every load.

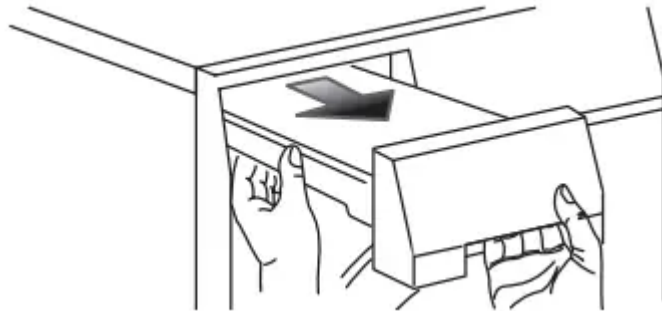
Drying System Maintenance Procedures



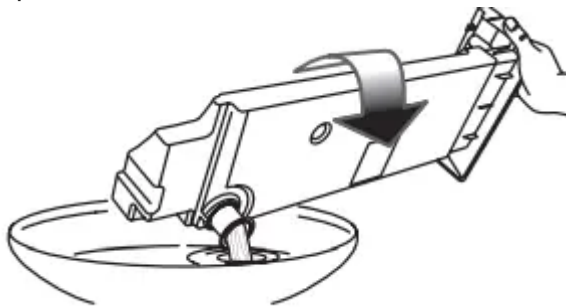
Water Container Full  (if direct drain kit not installed)

When the “Water Container Full” indicator comes on, follow these steps to empty the container:

1. Support the container as you pull it out.

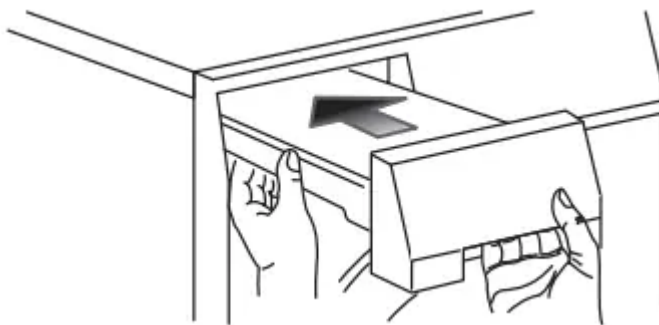


2. Hold container level to prevent water from spilling.
3. Dump water container in sink or drain.



CAUTION DO NOT drink or prepare food with the condensed water from your dryer water. It can cause health problems to people and pets.

4. Return container fully before continuing operation of dryer.

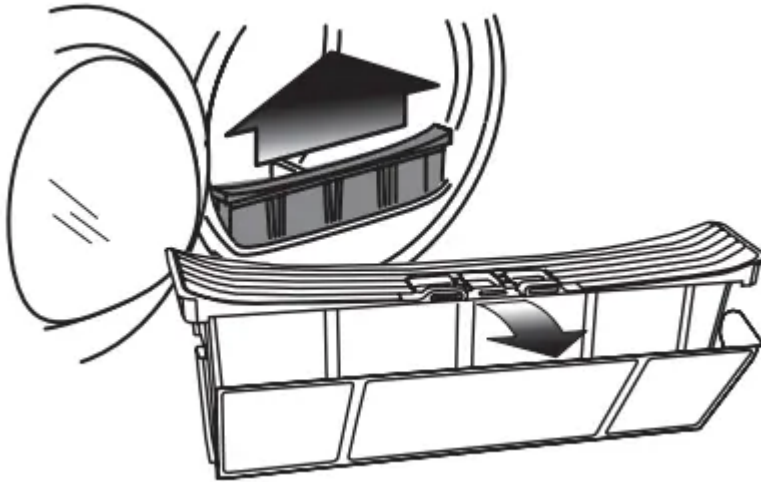


Lint Filter Plugged

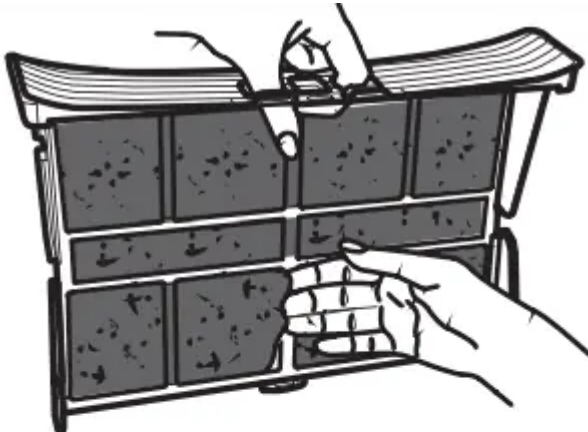


When the “Lint Filter Plugged” indicator comes on, follow these steps to clean the filter:

1. Remove the filter by pulling straight up.
2. Release the latch on the filter grille to open the filter.



3. Remove trapped lint and larger particles by hand.
4. If necessary, clean filter screen with hot water.



5. Return filter before continuing use of dryer.

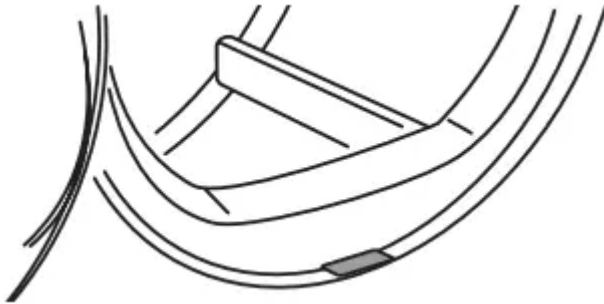
CAUTION DO NOT operate dryer without lint filter in place.

Cleaning Condenser

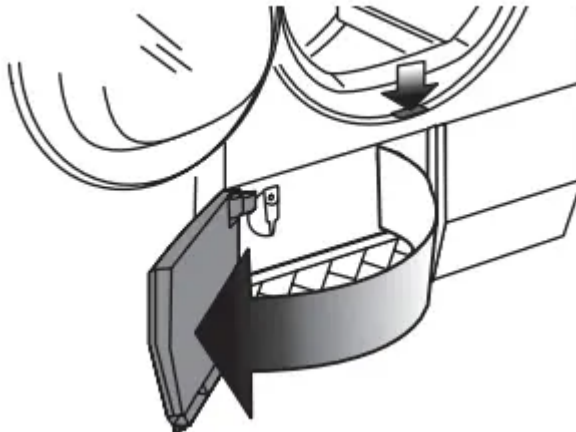


When the “Clean Condenser” indicator comes on, follow these steps to remove and clean the condenser assembly:

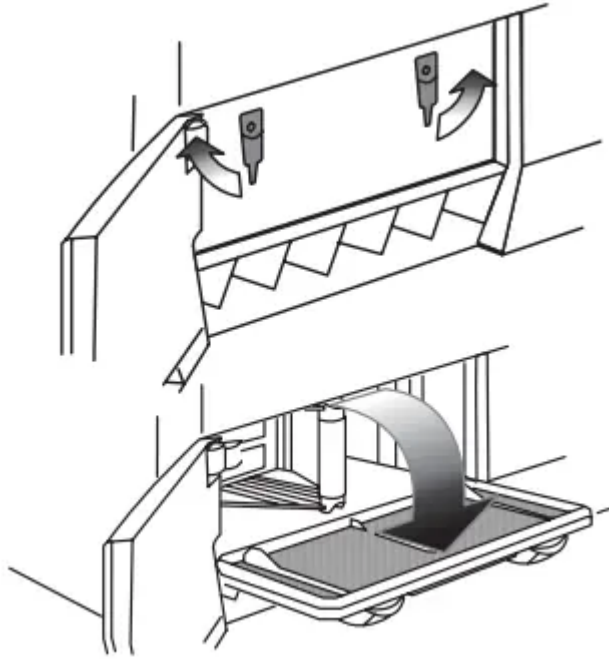
1. Open the dryer door and locate the condenser access door latch release.



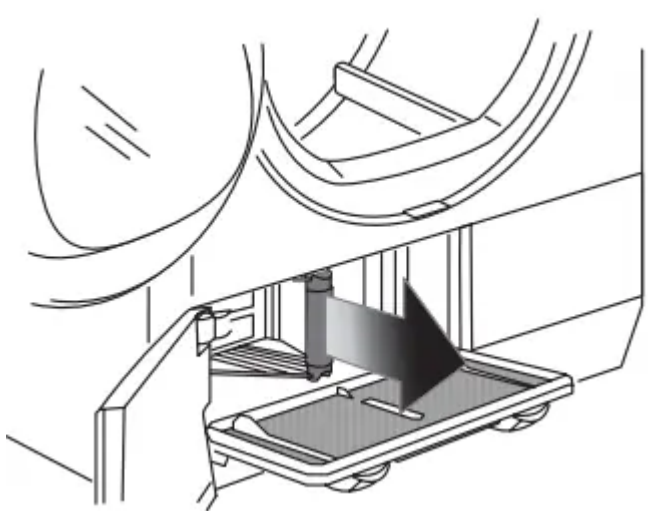
2. While pressing release, open the condenser access door.



3. Rotate the two latches to lower the condenser screen.



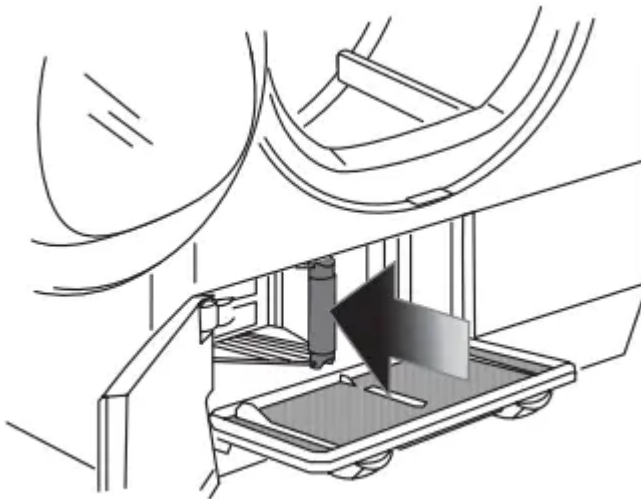
4. Grab the condenser handle and pull straight out.



5. Rinse condenser in sink. Clean with mild soap and water if necessary.



6. Push condenser back in place, close retention panel, rotate latches and close condenser access door until it latches.



Solutions to Common Problems

Common Drying Problems

Many drying problems involve poor soil and stain removal, residues of lint and scum, and fabric damage. For satisfactory washing results, follow these suggestions provided by The Soap and Detergent Association.

| PROBLEM | POSSIBLE CAUSES | SOLUTIONS | PREVENTIVE MEASURES |
|----------------------------|--|--|---|
| Greasy, oily stains | <ul style="list-style-type: none"> • Fabric softener sheet. | <ul style="list-style-type: none"> • Rub fabric softener stains with bar soap. Rinse and rewash. | <ul style="list-style-type: none"> • Add a few bath towels to small loads for proper tumbling. • Some “silk-like” fabrics should be air dried. • Use proper drying temperature. • Place fabric softener sheet on top of load before starting the dryer. |
| Lint | <ul style="list-style-type: none"> • Overloading. • Overdrying causes static electricity. • Lint screen not clean when cycle began. • Lint is attached to “pills”. | <ul style="list-style-type: none"> • Reduce load size and rewash using liquid fabric softener in the final rinse. • Or, add a fabric softener sheet and tumble without heat. • Use lint brush or roller to remove lint. | <ul style="list-style-type: none"> • DO NOT overload dryer. • Use fabric softener in washer or dryer to reduce static electricity. • Remove items when they are slightly damp to avoid overdrying. • Check that lint filter is clean and in place. |



| | | | |
|---|--|--|--|
| <p>Pilling (fibers break off, ball up and cling to fabric)</p> | <ul style="list-style-type: none"> • Overdrying. | <ul style="list-style-type: none"> • Use a lint brush or shaver to remove pills. | <ul style="list-style-type: none"> • Use fabric softener to lubricate fibers. • When ironing, use spray starch or fabric finish on collars and cuffs. • Turn items inside out to reduce abrasion. |
| <p>Shrinking</p> | <ul style="list-style-type: none"> • Temperature too high. • Overdrying. | <ul style="list-style-type: none"> • Irreversible condition. | <ul style="list-style-type: none"> • Follow fabric care label directions. • If shrinking is a concern, check load often. • Remove items while slightly damp and hang or lay flat to complete drying. • Block knits into shape. |
| <p>Wrinkling</p> | <ul style="list-style-type: none"> • Overloading. • Leaving items in dryer after cycle ends. | <ul style="list-style-type: none"> • Reduce load size and tumble at medium or low heat for 5-10 minutes. • Remove items immediately. Hang or fold. | <ul style="list-style-type: none"> • DO NOT overload dryer. • Remove items as soon as cycle ends. |




Avoid Service Checklist

Before calling for service, review this list. It may save both time and expense. The list includes common occurrences that are not the result of defective workmanship or materials in this dryer.

| OCCURRENCE | POSSIBLE CAUSES | SOLUTIONS |
|--|--|--|
| <p>Dryer does not start.</p> | <ul style="list-style-type: none"> • Electrical power cord is not securely plugged in or plug may be loose. • House fuse blown or circuit breaker tripped. | <ul style="list-style-type: none"> • Make sure the plug fits tightly in wall outlet. • Reset circuit breaker or replace fuse. • Make sure electrical line is not overloaded and the dryer is on a separate circuit. |
| <p>Dryer runs but won't heat.</p> | <ul style="list-style-type: none"> • There are 2 house fuses in the dryer circuit. If 1 of the 2 fuses is blown, the drum may turn but the heater will not operate. | <ul style="list-style-type: none"> • Replace fuse. |
| <p>Drying cycle takes too long, outside of the dryer feels too hot or smells hot.</p> | <ul style="list-style-type: none"> • Lint filter is clogged with lint. • Electric dryer is connected to a 208 volt circuit. • Drying procedures have not been followed. • High humidity. | <ul style="list-style-type: none"> • Make sure all lint has been removed from the dryer lint filter before starting each cycle. • Drying time will be 20% longer than drying on a 240 volt circuit. • See "Operating Instructions." • Use a dehumidifier near the dryer. |



| | | |
|--|--|--|
| <p>Dryer stops during a cycle</p>  <p>and symbol is lit on console.</p> | <ul style="list-style-type: none"> • Water tank was not emptied between cycles and is full. | <ul style="list-style-type: none"> • Empty water tank and continue cycle. |
| <p>Excessive wrinkling.</p> | <ul style="list-style-type: none"> • Dryer is overloaded. • Items left in dryer too long. • Insufficient sorting of items. • Drying temperature too high. | <ul style="list-style-type: none"> • Do not overload. See “Operating Instructions.” • Remove items as soon as cycle ends. • See “Operating Instructions.” • Follow fabric care label instructions. |
| <p>Scratching or chipping of the drum finish.</p> | <ul style="list-style-type: none"> • Foreign objects such as coins, pins, clips or buttons are inside the dryer.* • Permanently attached items such as belt buckles, zippers and fasteners may be hitting the inside of the drum.* | <ul style="list-style-type: none"> • Always remove foreign objects from pockets before laundering. Remove objects from drum and restart dryer. • It may be necessary to sew a scrap of material securely around ornaments before drying to prevent scratching and damage to the dryer. |

*Drum damage caused by foreign objects or permanently attached items is not covered by the warranty.



Warning

This content is compiled from multiple sources and is provided for reference purposes only. It may not be complete or fully applicable to all situations. If you are unable to resolve your issue, please contact the product manufacturer or an authorized service provider for official support.

Document generated by [ManualsFile](#)