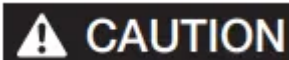


Intended Use

- This product is intended for adding moisture to the air, and diffusing essential oils' aroma.
- This product is intended for private use only. It is not intended for commercial use.
- This product is intended to be used in dry indoor areas only.
- No liability will be accepted for damages resulting from improper use or non-compliance with these instructions.

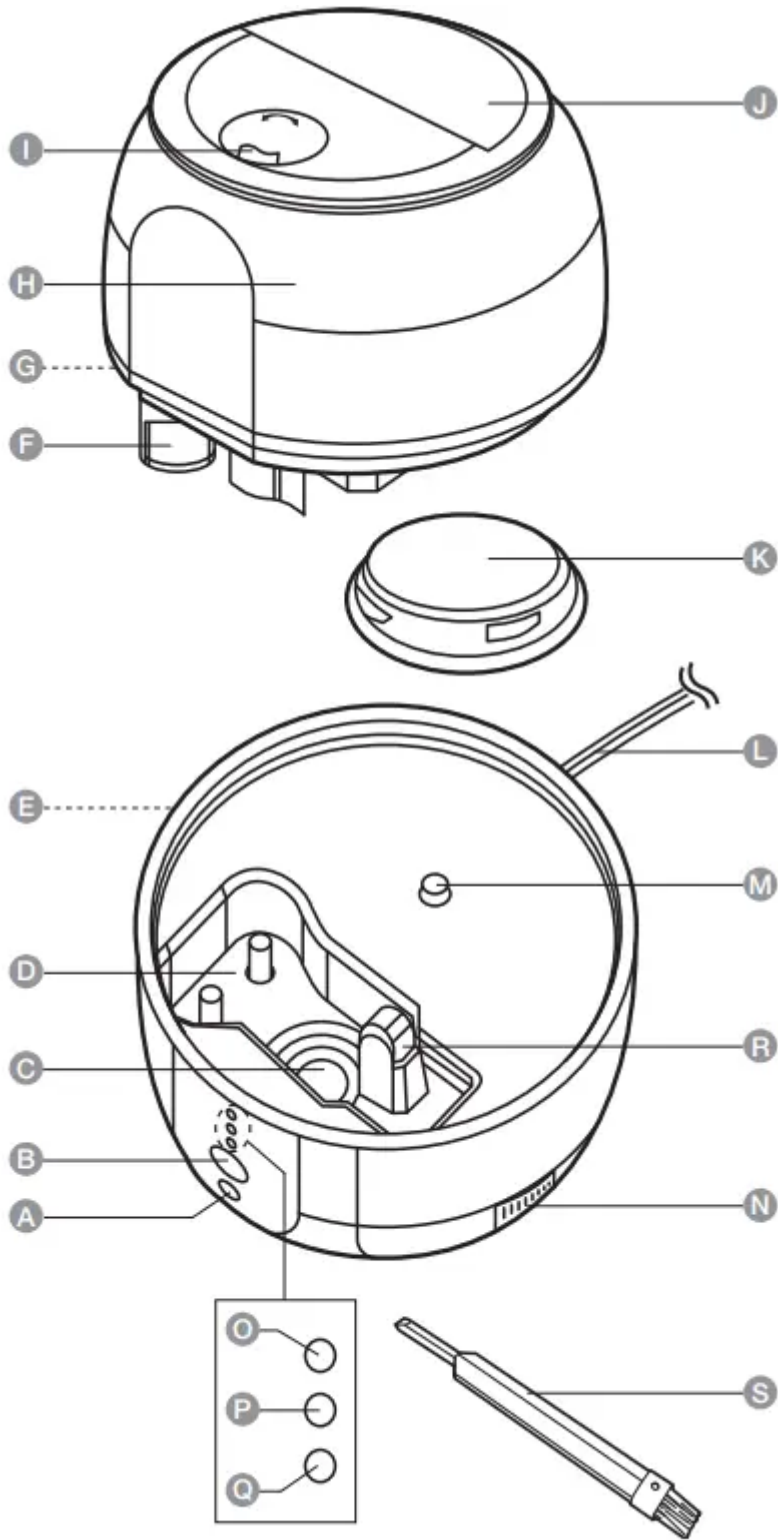
Before First Use

- Check the product for transport damages.
- Remove all the packing materials.
- Clean the product before first use.
- Before connecting the product to the power supply, check that the power supply voltage and current rating corresponds with the power supply details shown on the product rating label.



Risk of suffocation! Keep any packaging materials away from children – these materials are a potential source of danger, e.g. suffocation.

Product Description



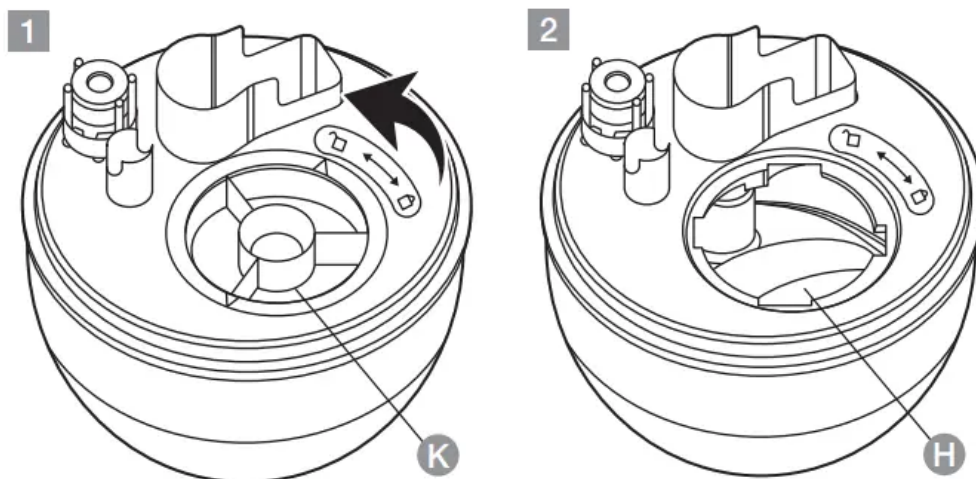
A Light button	K Tank cap
B Mode button	L Power cord with plug
C Transducer component	M Light
D Reservoir	N Essential oil tray
E Humidity sensor	O High mode indicator
F Float	P Low mode indicator
G Water valve	Q Smart mode indicator
H Water tank	R Scented air outlet
I Mist nozzle	S Brush
J Water tank handle	

Operation

Filling the water tank

⚠ CAUTION Risk of electric shock! Disconnect the product from the power supply before removing the water tank (H).

⚠ CAUTION Risk of electric shock! Do not exceed the maximum tank capacity



- Lift the water tank (H) from the main base. Invert the water tank.
- Rotate the tank cap (K) anti-clockwise to open the water tank (H).
- Fill the water tank (H) with cool, distilled water.

! CAUTION

Risk of damage! Do not fill water through the mist nozzle (I) and scented air outlet (R). This will damage the product.

- Place the tank cap (K) on the water tank (H) and rotate it clockwise to close the tank.
- Wipe the water tank (H) dry and place it back on the main body.

NOTICE

If the water level is too low, the product stops the operation and the light (M) flashes red. Refill the water tank (H).

Operation modes



The mist nozzle (I) controls the direction which the steam is being released. Rotate the the nozzle (I) to adjust the mist direction.

- Connect the product to the power supply. The light (M) switches on blue.
- Press the mode button (B) to toggle between:

Mode	Indicator on	Function
Smart	(Q)	The product adjusts the operation speed automatically, according to ambient humidity.
24H	(P)	The product operates at low speed.
12H	(O)	The product operates at high speed.
OFF	–	The product is off.

NOTICE

Do not block the humidity sensor (E). This will affect the mist output function for the Smart mode.

Operation duration

NOTICE

Operation duration is subject to differences in water/ ambient temperature and humidity level.

Tank capacity	Mode	Humidity output	Operation duration
2 L	24H	max. 90 ml/h	Around 24 H
	12H	max. 185 ml/h	Around 12 H
4 L	24H	max. 175 ml/h	Around 24 H
	12H	max. 360 ml/h	Around 12 H

Switching the light on/off

- To switch off the light (M), press the light button (A).
- To switch on the light (M), press the light button (A) again.

Aroma diffuser

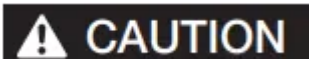
- Push to eject the essential oil tray (N) and pull it out of the main body.
- Put few drops of an essential oil (not provided) onto the tray.
- Push the essential oil tray (N) back in place.

Cleaning and Maintenance



CAUTION

Risk of electric shock! To prevent electric shock, unplug the product before cleaning.



CAUTION

Risk of electric shock! During cleaning do not immerse the electrical parts of the product in water or other liquids. Never hold the product under running water.

NOTICE

Clean the product at least once in every two weeks.

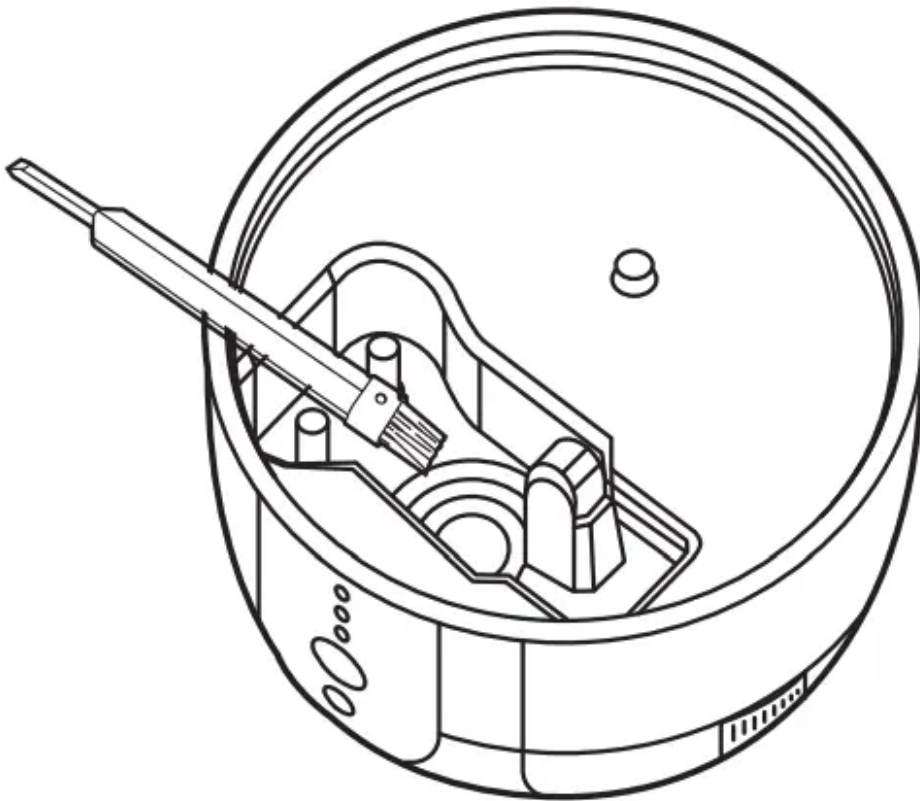
Cleaning the main base

- To clean the product, wipe with a soft, slightly moist cloth.
- Dry the main base after cleaning.
- Never use corrosive detergents, wire brushes, abrasive scourers, metal or sharp utensils to clean the product.

Cleaning the water tank, reservoir and oil tray

- Rinse the parts with a 5-15% vinegar solution.
- Pour out the solution residue.
- Rinse the parts with water.

- Use the brush (S) to clean the reservoir (D) and other tiny gaps that are hard to reach.



Storage

- Store the product in its original packaging in a dry area. Keep away from children and pets.

Maintenance

- Any other servicing than mentioned in this manual should be performed by an authorized service representative.

Troubleshooting

Problem	Solution
The product does not switch on.	<ul style="list-style-type: none"> • Check if the power plug is connected to the power outlet. Check if the power outlet works.
Unpleasant odor.	<ul style="list-style-type: none"> • Clean the water tank (H) and the reservoir (D). • Replace the water. • Clean the essential oil tray (N).
Blue light appears but no mist emitted.	<ul style="list-style-type: none"> • Check if the product is switched on. • Check the mist nozzle (I) for obstructions.
Adequate water but red light blinks.	<ul style="list-style-type: none"> • Check the float (F) for obstructions. • Refill the water tank (H).
The product is leaking.	<ul style="list-style-type: none"> • Check if the tank cap (K) is firmly locked. • Check if the water tank (H) is broken.

Specifications

Model	B07VB4MV5K B07VC9455Y	B07VB4MHYJ B07VC93PPX
Water tank capacity	2 L	4 L
Ratings	120 V~, 60 Hz, 18 W	120 V~, 60 Hz, 21 W
Net weight	2.76 lbs (1.25 kg)	3.1 lbs (1.39 kg)
Dimensions (W x D x H)	7.87" x 7.67" x 8.56" (200 mm x 195 mm x 217.5 mm)	7.87" x 7.67" x 11.5" (200 mm x 195 mm x 293 mm)

Warning

This content is compiled from multiple sources and is provided for reference purposes only. It may not be complete or fully applicable to all situations. If you are unable to resolve your issue, please contact the product manufacturer or an authorized service provider for official support.

Document generated by [ManualsFile](#)

