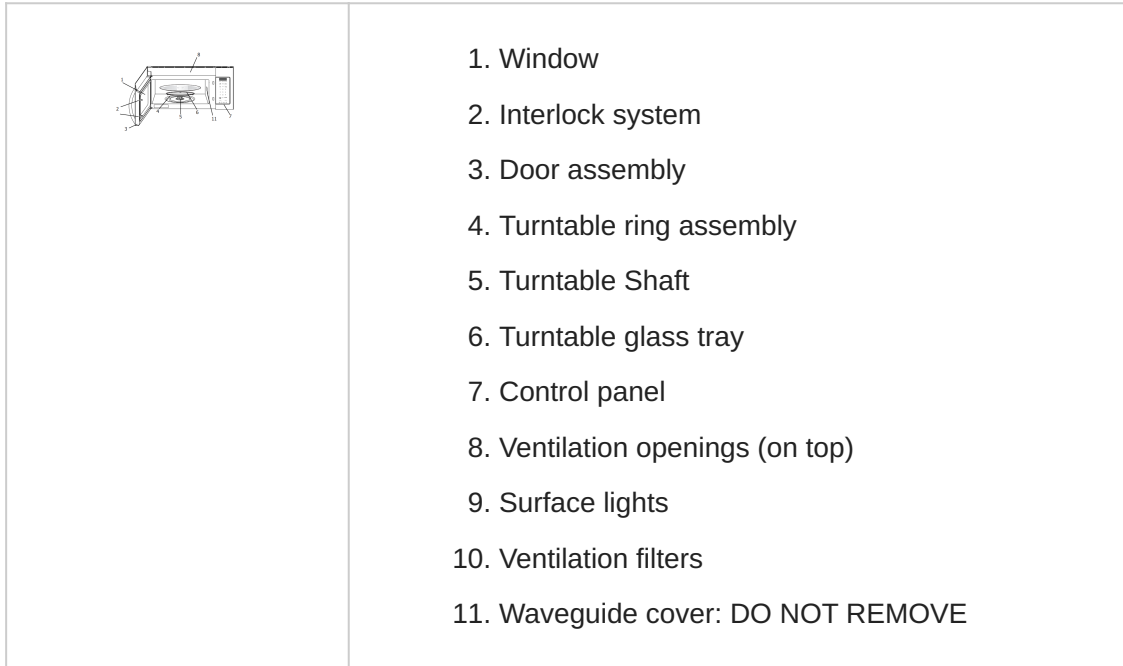


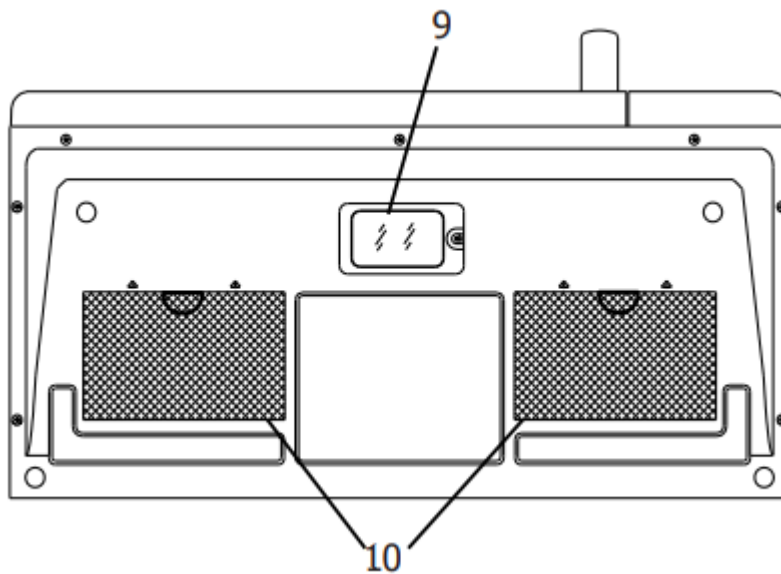
PART NAMES

Microwave features

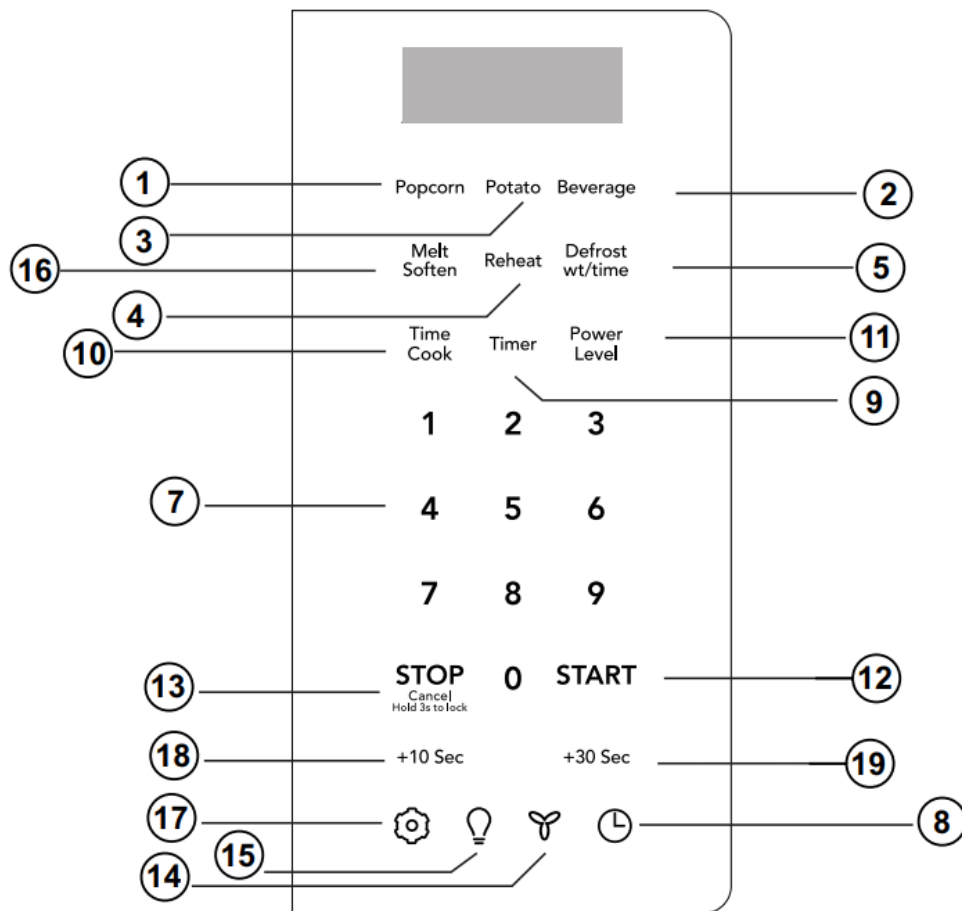
Front View



Bottom View



CONTROL PANEL




- (1) **Popcorn (P17)**
- (2) **Beverage (P17)**
- (3) **Potato (1-4 potatoes) (P17)**
- (4) **Reheat (3 different settings) (P15)**
- (5) **Defrost (by time or weight) (P13)**
- (6) **Quick Start (3 instant key settings) (P11)**
- (7) **Numeric pads (0 thru 9)**
- (8) **Clock (P10)**
- (9) **Timer (P10)**
- (10) **Time Cook (P11)**
- (11) **Power Level (10 power levels available) (P16)**





- (12) **START +30 sec (P12)**
- (13) **Stop/Cancel (P12)**
- (14) **Exhaust (High/Low/Off) ~ Use to turn the exhaust fan on, off, or to adjust fan speed. (P10)**
- (15) **Surface Light ~ Press this pad to turn the surface lights on or off. (P10)**
- (16) **Melt Soften (P15)**
- (17) **Setting (P21-22)**
- (18) **+10 Sec (P12)**
- (19) **+30 Sec (P12)**

BEFORE OPERATING

Settings



The microwave oven has settings that allow you to customize the operation for your convenience.

Below is the table showing the various settings. Touch the  key multiple times to scroll to the desired setting function

Key press	Option
 x1	Sound Low/nor/Hi/Off(nor=Normal)
 x2	Weight lb/kg
 x3	Clock Display On/Off
 x4	Demo

Setting the clock

Example: setting clock display for 9:00:

1. Touch  pad one.	
2. Enter time using number pads.	9 0 0
3. Touch START pad again.	START

Setting the timer


Example: setting timer for 5 minutes:

1. Touch Timer pad once.	Timer
2. Enter desired time using number pads.	5 0 0
3. Touch Timer pad.	Timer

Timer count down does not stop even if the door is opened. To stop/cancel the timer, press the Timer key once. When the timer has reached the end of set time, you will hear beep alerts indicating the timer has run out.

Exhaust High / Low / Off

The exhaust ventilation removes steam and other cooking vapors from the cooking surface of the range below the microwave oven.

To operate the exhaust vent, Touch the Exhaust High/Low/Off pad once for the highest speed setting. Touch the pad again to choose the Low speed setting and a 3rd time to turn the exhaust ventilation off.	
---	---

Note: If the temperature gets too hot around the microwave oven, the fan in the exhaust vent hood will automatically turn on at the LOW setting to cool the oven. The fan will automatically turn off when the internal parts are cool. When this occurs, the vent cannot be turned off.

Surface Light / On / Off


Touch the Surface Light/On/Off pad once for a cooking surface light. Press the pad again to turn the light off.	
---	---

Control Lock


You may lock the control panel to prevent the microwave from being accidentally started or used by children.

The control lock feature is very useful when cleaning the control panel. The lock will prevent accidental programming when wiping the control panel clean

Example: to set the control lock ON:

Touch and hold the Stop/Cancel pad for more than 3 seconds. The Lock icon will appear in the display window along with 2 beeps.	
---	---

Example: to change the control lock from ON to OFF:

Touch and hold the Stop/Cancel pad for more than 3 seconds. The Lock icon will disappear in the display window.	
---	---


MANUAL COOKING

Using Ready Set

1 2 3

Microwave heating or cooking may be quickly set at 100% power level for 1, 2 or 3 minutes. Use the number keys 1, 2 or 3 to choose the desired minutes of cook time (this option will only work using the 1, 2 or 3 numeric pads):

Example: to quickly heat for 2 minutes at 100% power:

Touch number pads 1, 2 or 3 for desired minutes of cook time.	
---	---

Heating with high power level

Example: to heat for 5 minutes at 100% power:



1. Press TimeCook pad.	Time Cook
2. Use the number pads to enter desired heating time (cook time may be set up to 99 minutes and 99 seconds)	5 0 0
3. Touch START pad.	START

Heating with lower power levels

Using the highest power level to heat foods with does not always give the best results when some types of food need slower cooking, such as roasts, baked goods or custards. Your oven has nine other power levels you may choose.

Example: to heat for 4 minutes at 70% power:

1. Press TimeCook .	Time Cook
2. Use the number pads to enter desired heating time (cook time may be set up to 99 minutes and 99 seconds).	4 0 0
3. Press Power Level pad once for power level 10 (100% power).	Power Level
4. Use the number key to change the power level to 7. P-70 a ppears in the display (70 % power).	7
5. Press START pad.	START

Heating with multiple cooking stages

For best results, some microwave recipes call for different power levels or different lengths of time for cooking. Your microwave may be set to change from one stage to another automatically (2 stages maximum)

Example: to cook food for 3 minutes at 80% power and then 50% power for 6 minutes 30 seconds:

1. Press Time Cook .	Time Cook
2. Use the number pads to enter heating time for the 1st stage (cook time may be set up to 99 minutes and 99 seconds).	3 0 0
3. Press Power Level pad once.	Power Level
4. Use the number keys to enter power level for the 1st stage. P-80 in the display (80 % power).	8
5. Press Time Cook pad for 2nd stage.	Time Cook
6. Use the number pads to enter heating time for the 2nd stage (cook time may be set up to 99 minutes and 99 seconds).	6 3 0
7. Press Power Level pad for 2nd stage	Power Level
8. Use the number key to enter power level for the 2nd stage. P-50 appears in the display (50 % power)	5
9. Press START pad.	START

Using the Stop/Cancel key

This feature will let you quickly stop or cancel the cooking process

Touch the Stop/ cancel pad to :	STOP Cancel Hold to lock
1. Erase if you have entered wrong information.	
2. Cancel timer setting process.	
3. Press pad once to pause the oven temporarily during cooking. (Touch START pad again to resume cooking.)	START
4. Return the time of day (clock) to the display after cooking cycle is completed.	
5. Cancel a program during cooking, touch twice.	

CONVENIENT FEATURES



Setting the sound

Turning Sound Low/nor/Hi/Off

Audible signals are available to guide you when setting and using your oven.



- **A programming tone** will sound each time you touch a pad.
- **Three tones** signal the end of a Kitchen Timer count down.
- **Three tones** signal the end of a cooking cycle.

Example: setting audible signal off:



1. Touch  pad one.	
2. Op-1 will display a and the START needs to be pressed to select.	START
3. Lo/ nor/ HI /oFF auto scrolls every 2 seconds through each selection.	
4. Touch START pad to confirm when the LED shows oFF .	START

Setting Weight lb/Kg

Example: setting weight between pounds & kilograms:

<p>1. Touch  pad 2 times.</p>	
<p>2. Op-2 will display a and the START needs to be pressed to select.</p>	<p>START</p>
<p>3. lb/kg auto scrolls every 2 seconds through each selection.</p>	
<p>4. Touch START pad to confirm your selection.</p>	<p>START</p>



Turning off the Clock Display

<p>1. Touch  pad 3 times .</p>	
<p>2. Op-3 will display and the START needs to be pressed to select.</p>	<p>START</p>
<p>3. on / off auto scrolls every 2 seconds through each selection.</p>	
<p>4. Touch START pad to confirm the LED shows on .</p>	<p>START</p>

Setting Demo Mode

Example: setting the demo mode on:

Suppose you want to enter Demo mode. When Demo mode is ON programming functions will work in a rapid countdown mode with no cooking power.

1. Touch  pad 4 times .	
2. Op-5 will display and the START needs to be pressed to select.	START
3. on / oFF auto scrolls every 2 seconds through each selection.	
4. Touch START pad to confirm when the display shows .	START

CLEANING AND CARE

EXTERIOR

The outside surface is precoated steel and plastic. Clean the outside with mild soap and water; rinse and dry with a soft cloth. Do not use any type of household or abrasive cleaner.

DOOR

Wipe the window on both sides with a soft cloth to remove any spills or spatters. Metal parts will be easier to maintain if wiped frequently with a soft cloth. Avoid the use of spray and other harsh cleaners as they may stain, streak or dull the door surface.

EASY CARE™ STAINLESS STEEL/ SMUDGE_PROOF™ STAINLESS STEEL/ BLACK STAINLESS STEEL(some models)

Your microwave oven(some models) may have a Stainless Steel finish or coating. Clean the stainless with warm soapy water using a clean sponge or cloth. Rinse with clean water and dry with a soft clean cloth. DO NOT use ANY store bought cleaners like Stainless Steel cleaners or any other types of cleaners containing any abrasive, chlorides, chlorines or ammonia. It is recommended to use mild dish soap and water or a 50/50 solution of water and vinegar.

TOUCH CONTROL PANEL

Care should be taken in cleaning the touch control panel. If the control panel becomes soiled, open the microwave oven door before cleaning. Wipe the panel with a cloth dampened slightly with water only. Dry with a soft cloth. Do not scrub or use any sort of chemical cleaners. Close door and touch **STOP/CLEAR**

INTERIOR

Cleaning is easy because little heat is generated to the interior surfaces. To clean the interior surfaces, wipe with a soft cloth and warm water. **DO NOT USE ABRASIVE OR HARSH CLEANERS OR SCOURING PADS.** For heavier soil, use baking soda or a mild soap; rinse thoroughly with hot water. The round wire rack and shelf can be cleaned with hot soapy water, rinsed and dried.

WAVEGUIDE COVER

The waveguide cover is located on the right side in the microwave oven cavity. It is made from mica so requires special care. Keep the waveguide cover clean to assure good microwave oven performance. Carefully wipe with a damp cloth any food spatters from the surface of the cover immediately after they occur. Built-up splashes may overheat and cause smoke or possibly catch fire. **DO NOT REMOVE THE WAVEGUIDE COVER.**

ODOR REMOVAL

Occasionally, a cooking odor may remain in the microwave oven. To remove, combine 1 cup water, grated peel and juice of 1 lemon in a 2-cup glass measuring cup.

Boil for several minutes using 100% power.

Allow to set in microwave oven until cool. Wipe interior with a soft cloth.

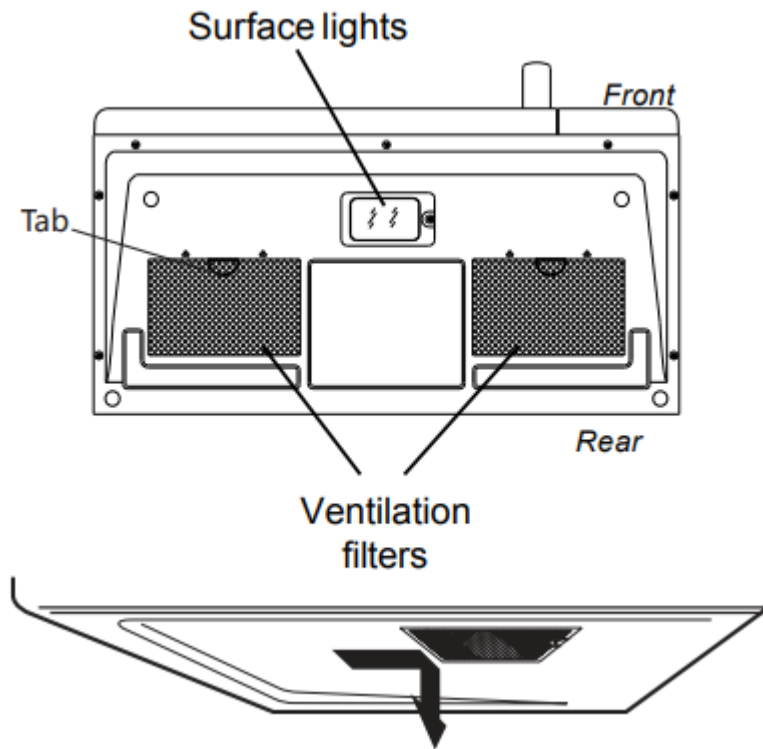
TURNTABLE/TURNTABLE SUPPORT

The turntable and turntable support can be removed for easy cleaning. Wash them in mild, sudsy water; for stubborn stains use a mild cleanser and non-abrasive scouring sponge. They are also dishwasher-proof. Use upper wirerack of dishwasher. The turntable motor shaft is not sealed, so excess water or spills should be wiped up immediately.

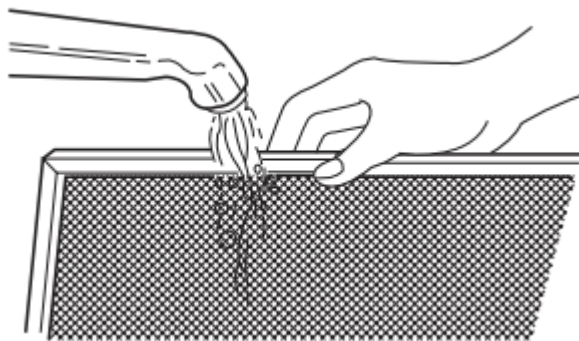
Cleaning the exhaust filters

The oven ventilation exhaust filters should be removed and cleaned often; generally at least once every month.

To avoid risk of personal injury or property damage, do not operate oven hood without filters properly in place.



1. To remove the exhaust ventilation filters, slide the filter to the rear. Then pull filter downward and push to the other side. The filter will drop out. Repeat for the 2nd filter.



2. Soak the ventilation filters in hot water using a mild detergent. Rinse well and shake to dry or wash in Do not use ammonia. The aluminum on the filter will corrode and darken.

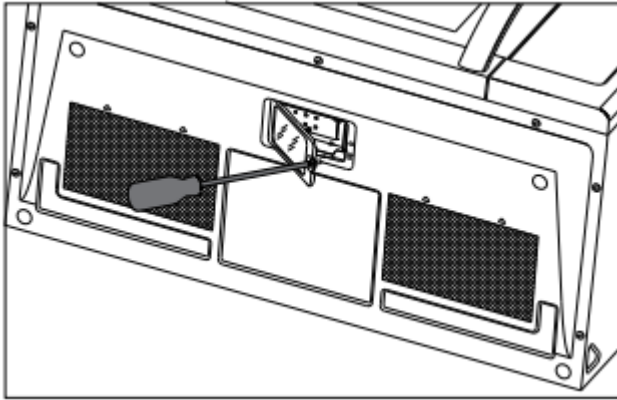


3. To reinstall the exhaust ventilation filter, slide it into the side slot, then push up and toward oven to lock. Reinstall the 2nd filter using the same procedure.

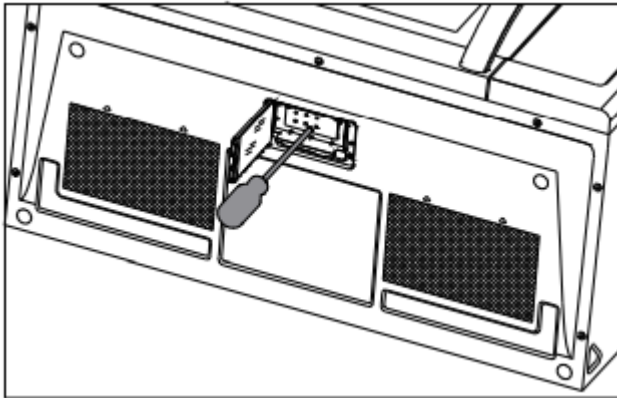
Surface light replacement

1. Unplug the microwave oven or turn off power at the main circuit breaker.

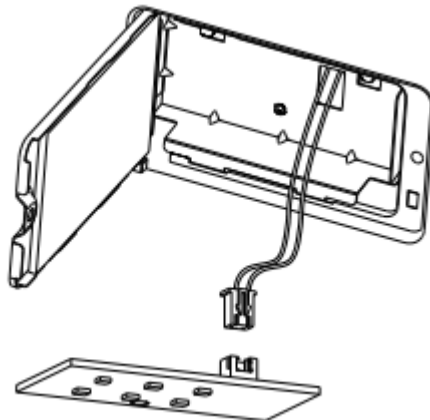
2. Remove the LED light cover mounting screw under the microwave.



3. Remove the LED light mounting screw.



4. Unplug the LED light from the harness, replace with part 5304499540. To order parts call 800-599-7569. Then reconnect the harness.



5. Re-install LED light and mounting screw. When re-installing mounting screw be careful not to damage the LED light.

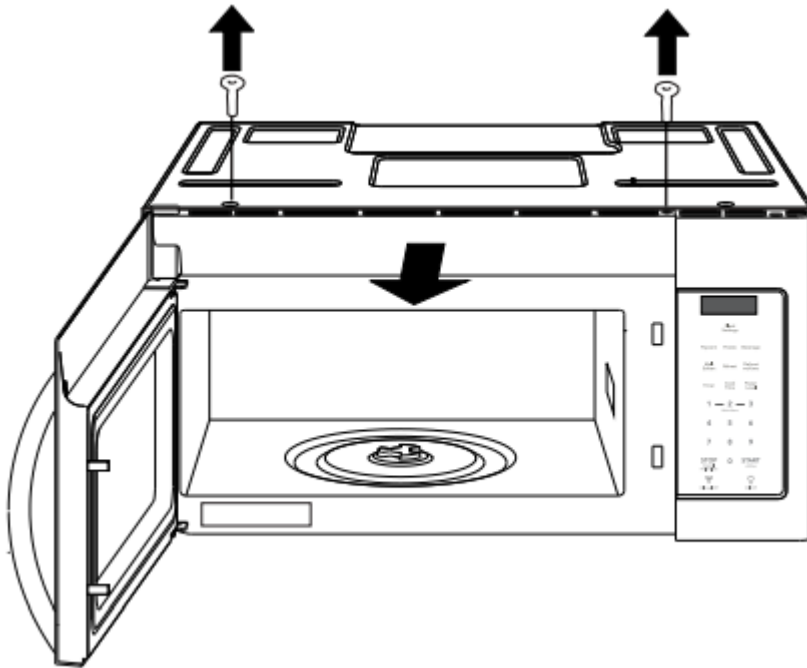
6. Re-install LED light cover and mounting screw.

7. Plug the microwave back into the power supply or turn the power back on at the main circuit breaker.

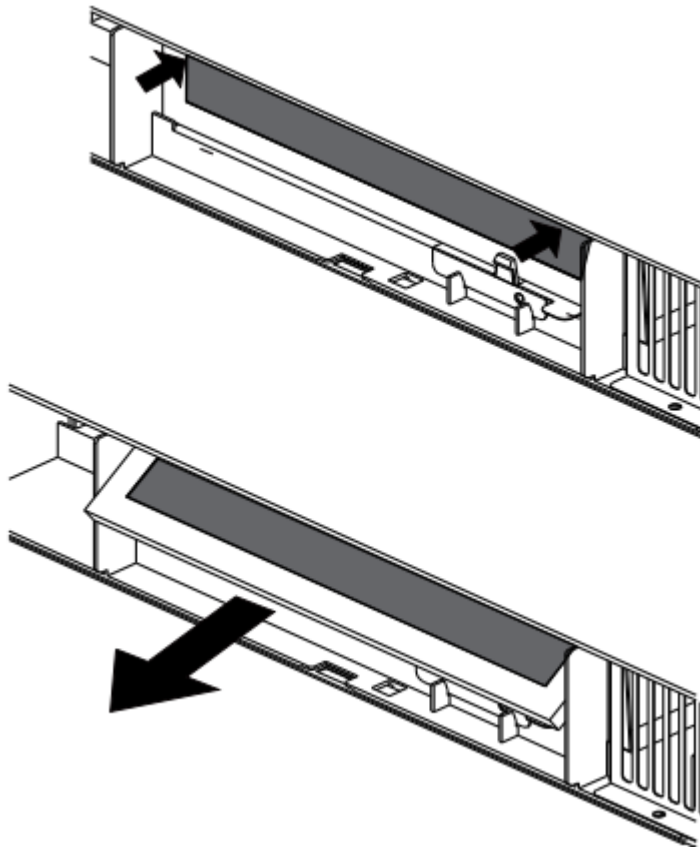
Charcoal filter replacement

Charcoal Filter when installed in your microwave oven, is used for nonvented, recirculated Installation. The filter should be changed every 6 to 12 months depending on use.

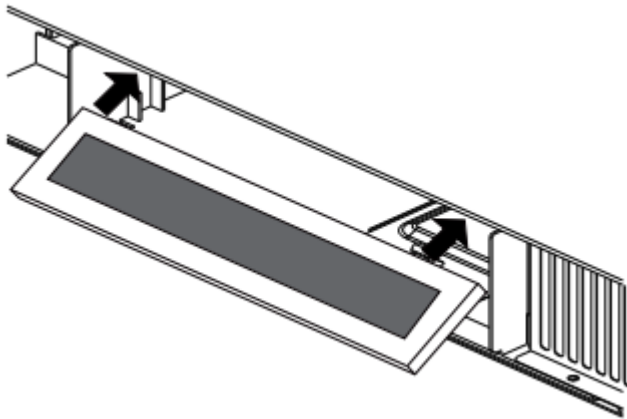
1. Disconnect power to the microwave oven at the circuit breaker panel or by unplugging.
2. Remove the vent grill mounting screws.
3. Pull the vent grill away from the unit.



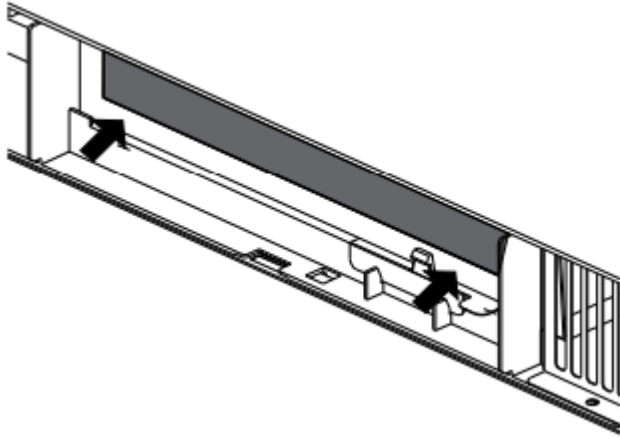
4. Remove the charcoal filter by pushing the top of the filter inwards, then pull it forward out from the unit.



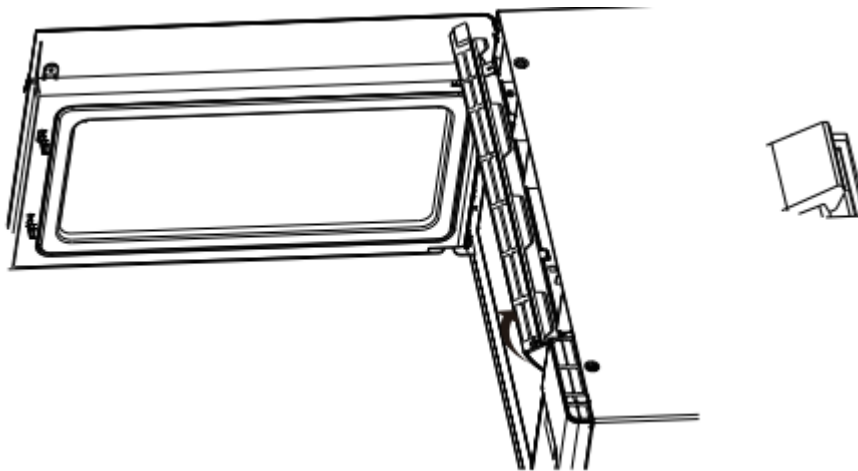
5. Slide the top of the new charcoal filter into the top area of the filter cavity.



6. Press the bottom of charcoal filter to place it into the correct position.



7. Put the vent grille bottom tabs into the slots then push the top of the vent grille into place.

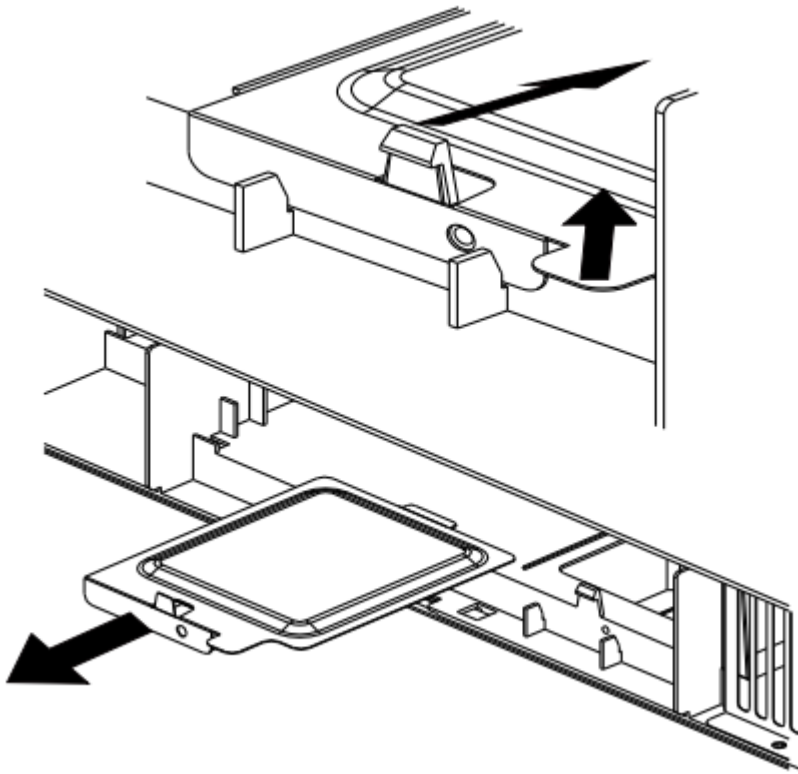


8. Reinstall the vent grille screws.

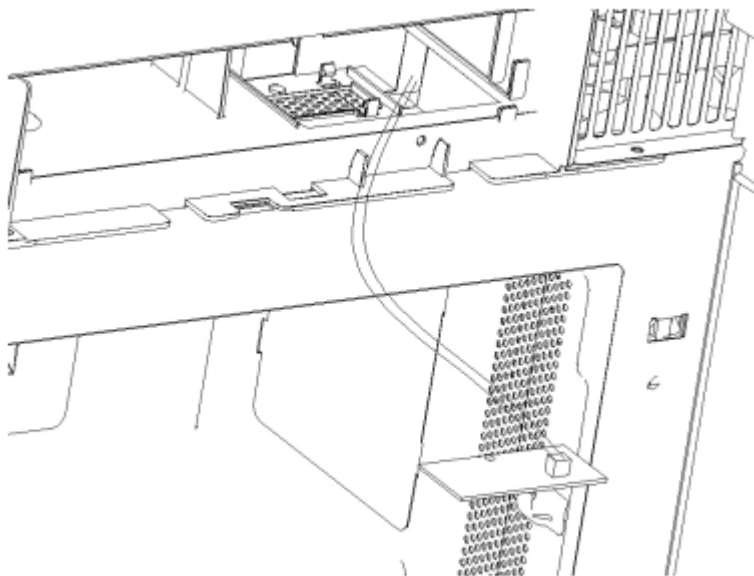
Oven light replacement

Remove the vent grill (see steps 1-4 in charcoal filter replacement section).

1. Remove the light cover by carefully pulling up on the front edge and pulling the cover forward.

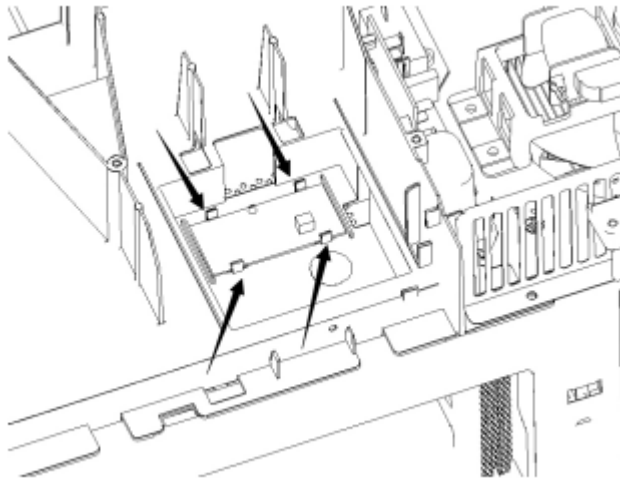


2. Remove the LED bracket and light assembly. Remove the LED light from the bracket by removing the mounting screw and replace only with part 5304499540. To order parts call 800-599-7569.

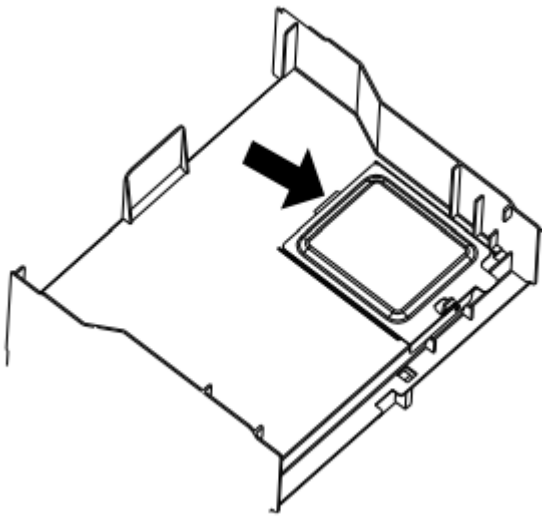


3. Re-install LED light to the bracket with mounting screw. When re-installing mounting screw be careful not to damage the LED light.

4. Reconnect LED light to the harness and place the LED light assembly back into the plastic housing.



5 Replace the microwave oven light cover by carefully pushing into place (make sure the light cover rear tab is inserted into slot at rear).



6. Replace the charcoal filter (if installed).

Push the vent grill back into place (engaging both the bottom and top tabs) and replace the vent grill mounting screws.

SPECIFICATIONS

AC Line Voltage:	Single phase 120V, 60Hz, AC only
AC Power Required:	1500W 13.5 amps. (for FFMV1846VS, FFMV1846VW FFMV1846VB, FFMV1846VD)
Output Power*:	1000 W
Frequency:	2450 MHz (Class B/Group2)**
Outside Dimensions (including handle):	29.88 "(W) x 15.04 "(D) x 16.41 "(H)
Cavity Dimensions:	20.94 "(W) x 9.57 "(D) x 14.43 "(H)
Microwave oven Capacity***:	1.8 Cu.Ft.
Cooking Uniformity:	Turntable
Weight:	Approx. (net) 52 lb, (gross) 58 lb
Work/Night Light:	1*1.2W LED, the part number is 5304499540.
Oven Light:	1*1.2W LED, the part number is 5304499540.

* The International Electrotechnical Commission's standardized method for measuring output wattage. This test method is widely recognized.

** This is the classification of ISM (Industrial, Scientific and Medical) equipment described in the International Standard CISPR11.

*** Internal capacity is calculated by measuring maximum width, depth and height. Actual capacity for holding food is less.

Warning

This content is compiled from multiple sources and is provided for reference purposes only. It may not be complete or fully applicable to all situations. If you are unable to resolve your issue, please contact the product manufacturer or an authorized service provider for official support.