

Installation

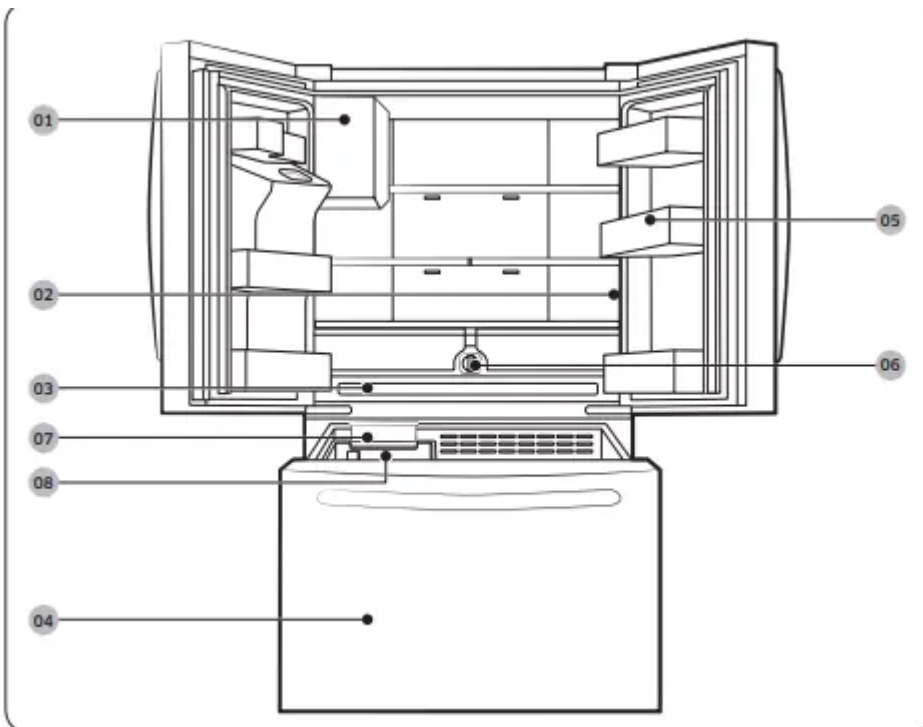
Follow these instructions carefully to ensure a proper installation of this refrigerator and to prevent accidents before using it.

WARNING

- Use the refrigerator only for its intended purpose as described in this manual.
- Any servicing must be performed by a qualified technician.
- Dispose of the product packaging material in compliance with the local regulations.
- To prevent electric shock, unplug the power plug before servicing or replacing parts.

Refrigerator at a glance

The actual refrigerator and provided component parts of your refrigerator may differ from the illustrations in this manual, depending on the model and the country.



01 Auto Ice Maker

02 Main panel

03 Wide Pantry

04 Freezer

05 Door bins

06 Water filter

07 Ice Maker *

08 Ice bucket *

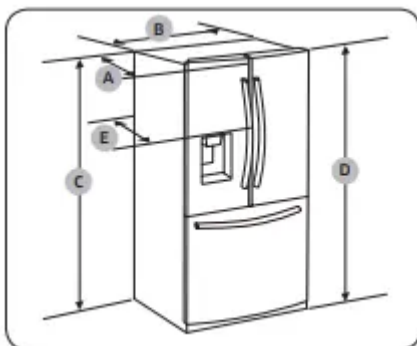
* applicable models only

NOTE

- For energy efficiency, keep all shelves, drawers, and baskets in their original positions.
- When closing the door, make sure the vertical hinged section is in the correct position to avoid scratching the other door.
- If the vertical hinged section is reversed, put it back into the correct position, and then close the door.
- Moisture may form at times on the vertical hinged section.
- If you close a door forcefully, the other door may open.
- When a door is opened, the interlock switch automatically disables the auger motor of the ice maker for safety reasons.
- If the internal or external LED lamp is out of order, contact a local Samsung service center.
- If the door is left open for too long, the top internal LED will blink. This is normal.

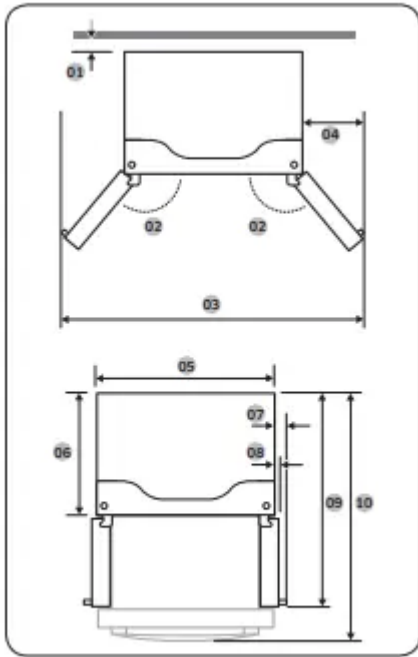
Clearance

See the following figures and tables for space requirements for installation



Model	RF27*
Depth "A"	32 ⁷ / ₈ " (836 mm)
Width "B"	35 ³ / ₄ " (908 mm)
Height "C"	68 ⁷ / ₈ " (1749 mm)
Overall Height "D"	70" (1777 mm)
Depth "E"	35 ³ / ₈ " (898 mm)





Model	RF27*
01	2" (50 mm)
02	130°
03	62 2/8" (1581 mm)
04	13 2/8" (337 mm)
05	35 3/4" (908 mm)
06	28 7/8" (735 mm)
07	3 5/8" (93 mm)
08	1 7/8" (47 mm)
09	47 2/8" (1201 mm)
10	51 7/8" (1318 mm)

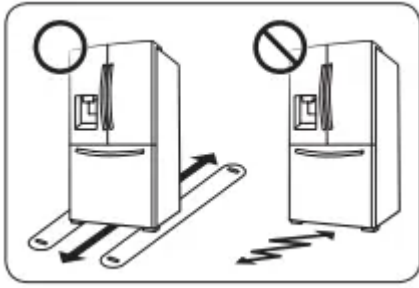
NOTE

The measurements in the table above may differ slightly from the actual measurements, depending on the measuring and rounding method.

Flooring

If the refrigerator cannot pass through the entrance due to its size, see STEP 3 Door removal for entrance.





NOTE

- To prevent floor damage, make sure the front leveling legs are in the upright position.
- The surface you install the refrigerator on must support a fully loaded refrigerator.
- To protect the floor, put a large piece of cardboard along the path to the refrigerator's final installation location.
- Once the refrigerator is in its final position, do not move it unless necessary to protect the floor. If you have to move the refrigerator, place thick paper or cloth such as old carpets along the path of movement.

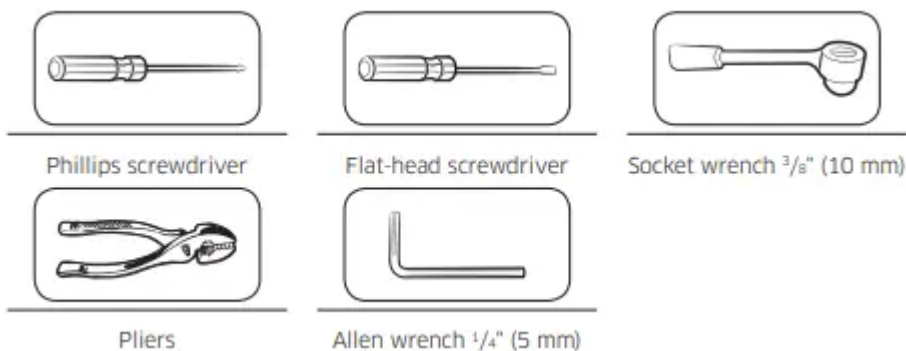
Door removal for entrance

If the refrigerator cannot pass through the entrance to your home or kitchen due to its size, follow these instructions to remove and then re-install the refrigerator's doors. If you do not need to remove the doors, go to page 26 to continue the installation procedure.

WARNING

Unplug the power cord of the refrigerator before removing the doors

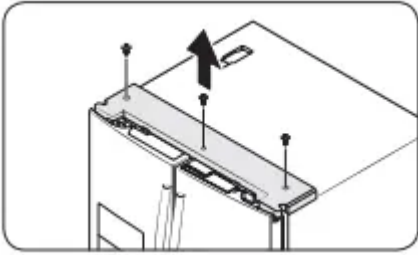
Tools required (not provided)



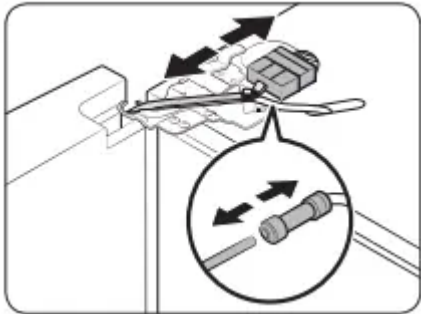
Detach the fridge doors

Left door





1. With the doors closed, use a Phillips head screwdriver to remove the screws (x3) in the top cover.

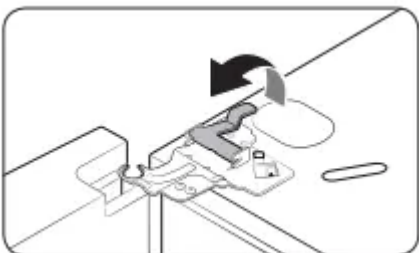


2. Disconnect the wires and the water tube from the left-side door. Do the following sequentially:

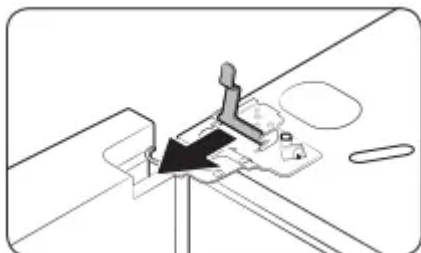
- Decouple the connector.
- While holding down one end of the water line coupler, disconnect the water tube.

 **CAUTION**

Keep the water tube clips out of children's reach.



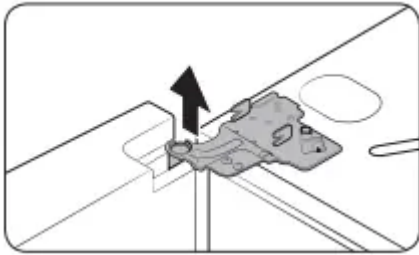
3. Gently draw up the clamp. To prevent finger injuries, do not apply a sudden force to the clamp.



4. Pull the clamp to remove it.

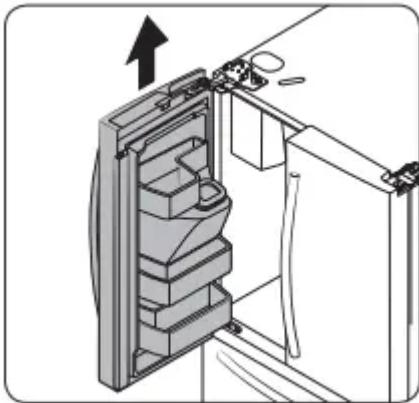
NOTE

Be careful not to drop the clamp on the floor.



5. Open the door 90 degrees. While holding the door, pull up and remove the top hinge. Be careful not to damage the connector wires when you remove the hinge.

NOTE Be careful not to drop the hinge on the floor.

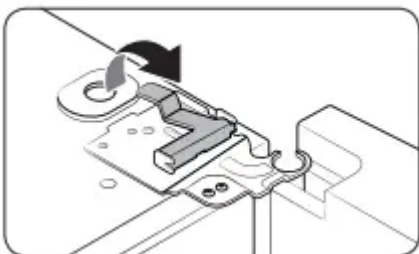


6. Gently pull up the door vertically to remove. Do not apply excessive force to the door. The door may fall, causing physical injury.

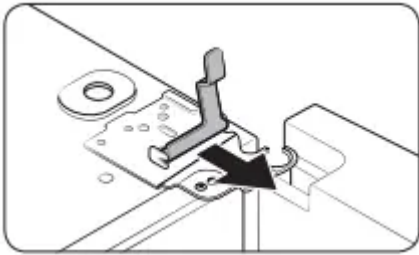
7. Lay the door down on a flat surface.

CAUTION Please put the door down slowly to prevent scratches.

Right door

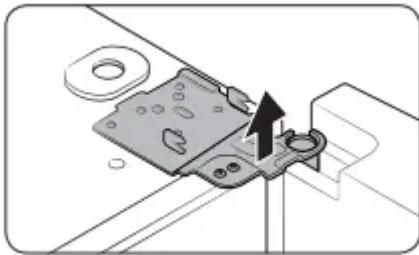


1. Gently draw up the clamp. To prevent finger injuries, do not apply a sudden force to the clamp.



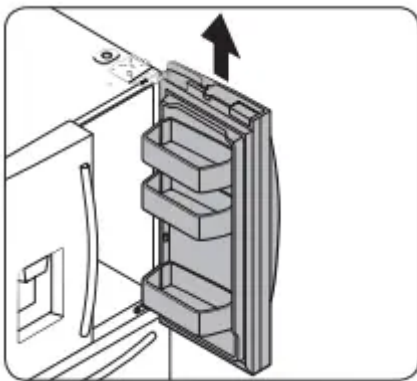
2. Pull the clamp to remove it.

NOTE Be careful not to drop the clamp on the floor.



3. Open the door 90 degrees. While holding the door, pull up and remove the top hinge. Be careful not to damage the connector wires when you remove the hinge.

NOTE Be careful not to drop the hinge on the floor.

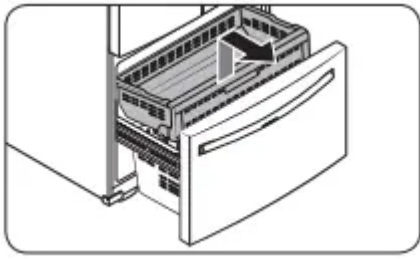


4. Gently pull up the door vertically to remove. Do not apply excessive force to the door. The door may fall, causing physical injury.

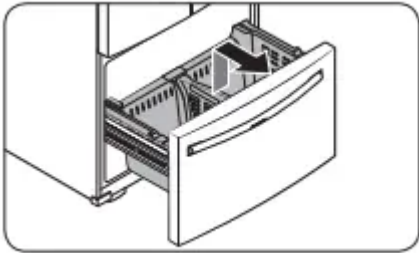
5. Lay the door down on a flat surface.

To detach the freezer drawer

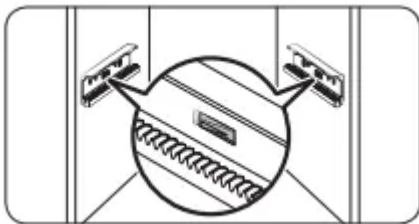
1. Lift up the front of the upper basket and pull to remove.



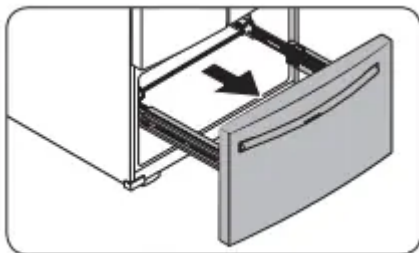
2. Then, pull up to remove the lower basket from the rail assembly.



3. Press down the hooks to unlock the rail assembly.



4. While holding the upper area of the freezer drawer front, slide the drawer out all the way to remove the freezer drawer from the rail assembly.



Connect the water dispenser line

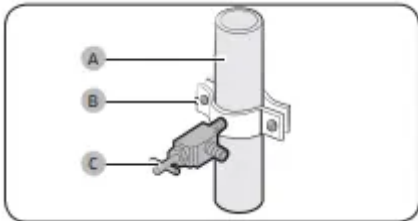
A water dispenser with a filter is one of the helpful features on your new refrigerator. To help promote better health, the water filter removes unwanted particles from your water. However, it does not sterilize or destroy microorganisms. You may need to purchase a water purifying system to do that. The water line also connects to the ice maker. For the ice maker to operate properly, water pressure of 30 to 120 psi (206 to 827 kPa) psi is required. If the refrigerator is installed in an area with low water pressure (below 30 psi / 206 kPa), you can install a booster pump to compensate for the low pressure. After you have connected the water line, make sure the water

storage tank inside the refrigerator is properly filled. To do this, press the water dispenser lever until water runs from the water outlet.

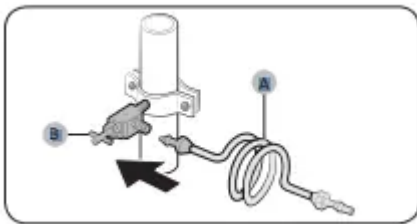
NOTE

• Water line installation kits are available at extra cost from your retailer. We recommend using a water line installation kit that contains copper tubing and a 1/4" (6 mm) compression nut.

1. Shut off the main water source.
2. Insert the pipe clamp (B) and the shutoff valve (C) into the cold water line (A). A B



3. Connect the water line installation kit (A) to the shutoff valve (B).

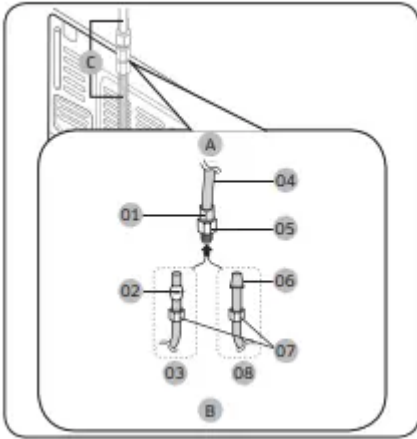


Connect the water supply line to the refrigerator

There are several items you must purchase to complete this connection. You may find these items sold as a kit at your local hardware store.

Copper Tubing	<ul style="list-style-type: none">• 1/4" copper tubing• 1/4" compression nut (1 pc)• Ferrule (2 pc)
Plastic Tubing	<ul style="list-style-type: none">• 1/4" plastic tubing → Molded end (Bulb)• 1/4" compression nut (1 pc)





A. Refrigerator

B. Household water supply line

C. Water Line: must be kept straight.

01 Compression Nut (1/4") (Assembled)

02 Ferrule (Not supplied)

03 Copper tubing (Not supplied)

04 Plastic Tubing (Assembled)

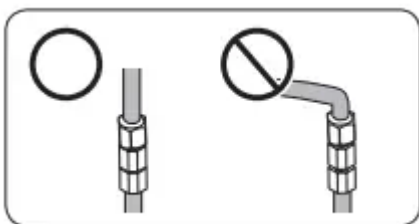
05 Compression Fitting (Assembled)

06 Molded end (Bulb)

07 Compression nut (1/4") (Not supplied)

08 Plastic Tubing (Not supplied)

NOTE If you have to relocate the refrigerator after connecting the water line (C), make sure the joined section of the water line is straight.



Initial settings

By completing the following steps, the refrigerator should be fully functioning.

1. Plug the power cord into the wall socket to turn the refrigerator on.
2. Open the door, and check if the interior light lights up.

3. Set the temperature to the coldest setting, and wait for about an hour. Then, the freezer will be slightly chilled, and the motor should be running smoothly.

4. Wait until the refrigerator reaches the set temperature. Now the refrigerator is ready for use.

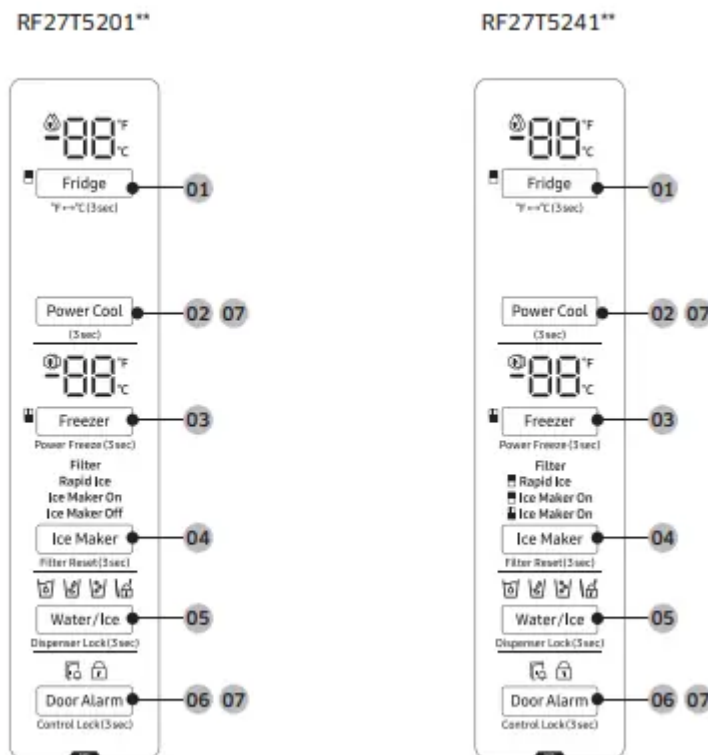
Final check

When installation is complete, confirm that:

- The refrigerator is plugged into an electrical outlet and grounded properly.
- The refrigerator is installed on a flat, level surface with a reasonable clearance from walls and cabinets.
- The refrigerator is level and is sitting firmly on the floor.
- The door opens and closes freely, and the interior light turns on automatically when you open the door.

Operations

Main panel



01 Fridge

02 Power Cool

03 Freezer / Power Freeze

04 Ice Maker / Filter Reset *

05 Water/Ice / Dispenser Lock

06 Door Alarm / Control Lock

07 Sabbath Mode

* *applicable models only*

 **NOTE**

- When you change the temperature on the panel, the panel displays the actual temperature inside the refrigerator until the temperature matches the temperature you set. Then, the panel displays the new set temperature. Note that it will take time for the refrigerator to reach the new temperature. This is normal. During this time, you do not need to set the temperature again.
- To ensure optimal performance, we recommend setting the temperature to 0 °F (-18 °C) for the freezer, and 37 °F (3 °C) for the fridge.
- The temperature in the refrigerator may rise if you open the door frequently or put a large amount of food into the refrigerator. If this happens, the temperature display blinks until the refrigerator returns to the specified temperature settings.
- If a communication error occurs between the temperature display and the main controller, this blinking continues for an extended time. Contact a local Samsung service center for technical assistance.
- The display of the main panel turns on only if the door is opened and turns off if the door is closed.
- If you set Control Lock on the main panel, the main panel locks automatically 1 minute after inactivity.

Fridge / °F <->°C (3 sec)

- **Fridge**
 - You can use the Fridge button to set the fridge temperature. • Press Fridge repeatedly to select a desired temperature between 34 °F (1 °C) and 44 °F (7 °C). - The temperature indicator displays the currently set or selected temperature.
- **°F <-> °C**

You can also use the Fridge button to switch the temperature scale between Celsius and Fahrenheit. To switch the temperature scale, press and hold Fridge for 3 seconds to change the current temperature scale.

Power Cool

Power Cool speeds up the cooling process at maximum fan speed. This is useful to quickly cool food that spoils quickly, or after the door is left open for some time. The fridge keeps running at full

speed for several hours and then returns to the previous temperature. Press and hold Power Cool for 3 seconds. The corresponding indicator () lights up, and the refrigerator will speed up the cooling process for you.

Sabbath Mode

The Sabbath mode stays active for 85 hours once it is activated. After that, it will be deactivated automatically.

- To activate Sabbath Mode, press and hold Door Alarm and Water/Ice simultaneously for 5 seconds. When the refrigerator is in Sabbath mode, the buttons, the display, and the internal lights do not function. The refrigerator and freezer, however, continue to cool.
- To deactivate Sabbath Mode, press and hold Door Alarm and Water/Ice simultaneously again for 5 seconds.

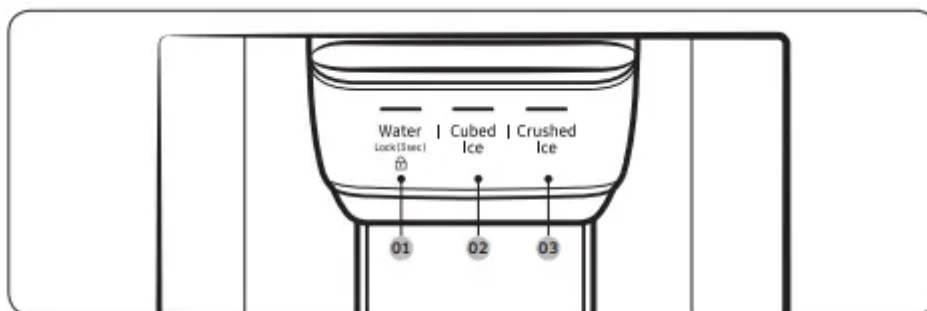
NOTE

- If the refrigerator powers off and restarts (for example, if there is a power failure), the Sabbath mode remains active. To end Sabbath Mode, you must deactivate it as described above.
- Controls must be unlocked before activating Sabbath mode.

Cooling Off

Cooling Off mode (also called Shop mode) is designed for use by retailers when they are displaying refrigerators on a retail floor. In Cooling Off mode, the refrigerator's fan motor and lights operate normally, but the compressors do not run so neither the refrigerator nor the freezer become cold. To enter or exit the Cooling Off mode, press and hold Fridge and Power Cool simultaneously for 6 seconds. Then, when the display blinks, press Door Alarm. When the Cooling Off mode is on, the refrigerator chime sounds, and the refrigerator shows "0" on the fridge temperature display and "FF" on the freezer temperature display.

Dispenser panel



01 Water / Lock

02 Cubed Ice

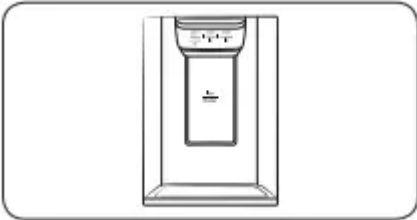
03 Crushed Ice

Special features

Water/Ice dispenser

Using the dispenser, you can dispense water with or without ice. The water dispenser offers 3 options: chilled water, cubed ice, and crushed ice. To dispense chilled water, press Water on the dispenser panel. Put a water glass under the dispenser, and then push the dispenser lever.

To dispense water with ice



1. With the Ice Maker enabled, press Cubed Ice or Crushed Ice to select the ice type.
2. Put a water glass under the dispenser, and then push the dispenser lever with the glass. Ice will be dispensed from the dispenser.
3. Press Water to select water.
4. Push the dispenser lever with the glass. Water will be dispensed from the dispenser.

NOTE

- The dispenser will stop dispensing if you keep pushing the dispenser lever for about 1 minute. To dispense more water, release and push the lever again.
- Make sure the glass is in line with the dispenser to prevent the dispensed water from spilling out.
- If you do not use the water dispenser for 2-3 days, the dispensed water may have an abnormal smell or taste. This is not a system failure. Discard the first 1-2 glasses of water.

Ice maker

The refrigerator has a built-in ice maker that automatically dispenses ice so that you can enjoy filtered water with cubed or crushed ice.

Ice making

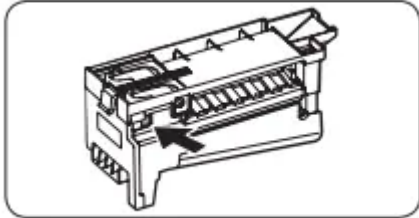
After you have installed your refrigerator and plugged it in, follow these instructions to ensure proper ice making and to keep the ice bucket full of ice:

1. Let the refrigerator operate for at least 24 hours to ensure optimal performance.
2. Dispense the first 4 to 6 ice cubes into a glass.
3. Wait another 8 hours and dispense another 4 to 6 ice cubes.
4. Then, wait another 16 hours and dispense the first glass-full of ice.

NOTE

- If you consume all the ice at once, you must wait 8 hours before dispensing the first 4 to 6 cubes. This ensures that the ice bucket is filled with ice properly.
- Ice cubes generated rapidly may look white, which is normal.

Diagnosis



If ice does not dispense, first check the ice maker.

1. Press Test on the side of the ice maker. You will hear a chime (ding-dong) when you press the button.
2. You will hear another chime if th

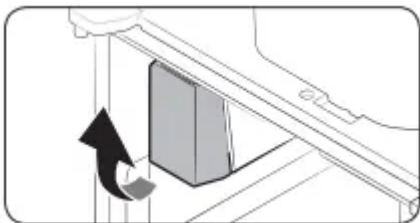
Maintenance

Handling and care

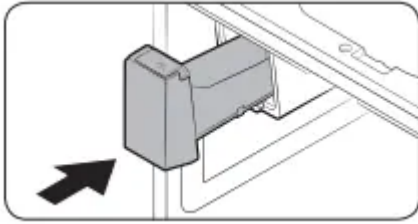
Ice bucket (applicable models only)

If you do not dispense ice for an extended period, ice may form clumps inside the bucket. If this happens, remove and empty the ice bucket.

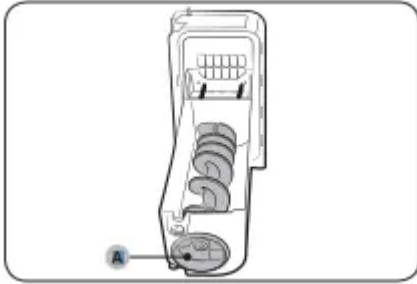
1. To remove the ice bucket, gently lift it up, and then pull it out slowly while holding the bottom of the bucket with one hand and the side with the other hand.



2. Empty the bucket.



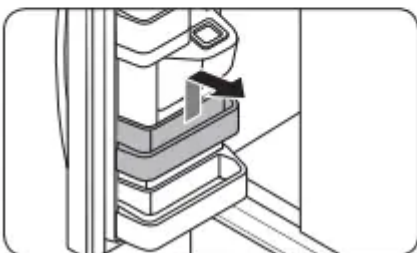
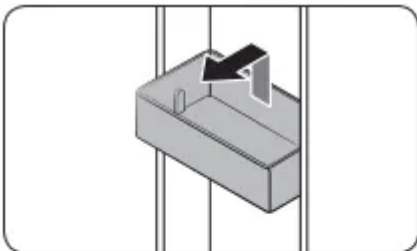
3. When done, put the bucket back into position. If the bucket does not fit in, turn the helix screw 90 degrees, and then try again. A If the ice bucket is not firmly inserted, turn the Helix (A) 90 degrees, and then try again.



⚠ CAUTION

- Do not apply excessive force to the bucket cover. The cover may break.
- Do not forcefully close the door. Water may spill over the ice maker.
- To prevent injury, make sure to clean up any ice or water that has fallen on the floor.
- To prevent accidents or injury, do not let children play with the water dispenser or the ice maker.
- Do not put your hand or an object into the ice chute. This may cause physical injury or product damage.

Door bins



- To remove the door bin, hold the front sides of the bin, and then gently lift up to remove.

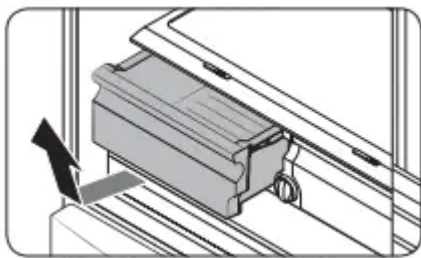
- To reinsert, insert the door bin slightly above its final location making sure that the back of the bin is against the door. Hold the rear of the door bin with both hands, and then press down so that it fits snugly.

 **CAUTION**

- Do not remove a bin that is filled with food. Empty the bin beforehand.
- Use caution when opening the door if the bottom bin contains larger bottles, which may fall over.
- Do not allow children to play with the bins. Sharp corners of the bin may cause injury

Fridge drawers

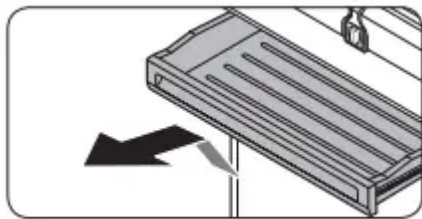
Vegetable / fruit drawers



Gently lift up the front of the drawer and slide out.

- We recommend that you remove the door bins before removing the drawer. This is to prevent damage to the door bins.
- To reinsert, insert the drawer into the frame rails and then slide inward.

Wide Pantry



- To remove, fully open the Wide Pantry. Then, slightly lift the front side and pull straight out.
- To reinsert, push the rails to the back of the refrigerator. Then, place the Wide Pantry onto the rails and slide it back until it is in place.

Troubleshooting

Before calling for service, review the symptoms and recommended solutions below. If none of the suggested solutions resolve your problem, please visit our website at www.samsung.com or call Samsung Customer Care at 1-800-SAMSUNG (726-7864). Note that you will be charged for any service visits in which no defects were found.

Fridge/freezer does not operate. Fridge/freezer temperature is warm.

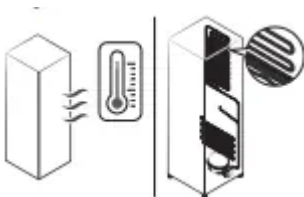
- Power cord is not plugged in properly.
 - Properly plug in the power cord.
- Temperature control is not set correctly.
 - Set the temperature lower.
- Refrigerator is located near a heat source or direct sunlight.
 - Keep the refrigerator away from direct sunlight or a heat source.
- Not enough clearance between refrigerator and nearby walls or cabinets.
 - Make sure there is a gap of at least 2.5 inches (5 cm) between the refrigerator back and sides and any nearby walls or cabinets.
- Energy Saver mode is activated.
 - Deactivate Energy Saver mode.
- The refrigerator is overloaded. Food is blocking the refrigerator vents.
 - Do not overload the refrigerator. Do not allow food to block vents.

Fridge/freezer is over-cooling.

- Temperature control is not set correctly.
 - Set the temperature higher

Interior wall is hot.

- Refrigerator has heat-proof piping in the interior wall.
 - To prevent condensation from forming, the refrigerator has heat-proof piping in the front corners. If the ambient temperature rises, this equipment may not work effectively. This is not a system failure.



Refrigerator has odors.

- Spoiled food.
 - Clean the refrigerator and remove any spoiled food.
- Food with strong odors.
 - Make sure strong smelling food is wrapped airtight.

Frost around the vents.

- Food is blocking the vents.
 - Make sure no food blocks the refrigerator vents. Frost on interior walls.

Frost on interior walls.

- Door is not closed properly.
 - Make sure food does not block the door. Clean the door gasket

Condensation forms on the interior walls.

- If door is left open, moisture enters the refrigerator.
 - Remove the moisture and do not leave a door open for extended periods of time.
- Food with high moisture content.
 - Make sure food is wrapped airtight.

Water flow is weaker than normal.

- Water pressure is too low.
 - Make sure the water pressure is between 30 to 120 psi (206 to 827 kPa).

Ice maker makes a buzzing sound.

- The ice maker function is activated, but the water supply to the refrigerator has not been connected.
 - Press Ice Maker.

Ice maker does not make ice.

- Ice maker has just been installed.
 - You must wait for 12 hours for the refrigerator to make ice.
- Freezer temperature is too high.
 - Set the freezer temperature below 0 °F (-18 °C) or -4 °F (-20 °C) in warm ambient air.
- Dispenser panel Lock is activated.
 - Deactivate dispenser panel Lock.
- Ice maker is off.
 - Turn on the ice maker.

Ice does not dispense.

- Ice may jam if the ice dispenser is not used for a long time (approx. 3 weeks).
 - If you won't be using the refrigerator for a long time, empty the ice bucket and turn off the ice maker.

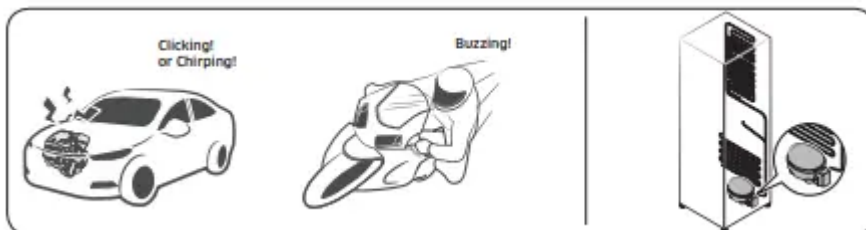
- Ice bucket is not properly inserted.
 - Make sure the ice bucket is properly inserted.
- Water line is not connected properly or water supply is not on.
 - Check if the water line is installed correctly. Check if the water line stop cock is closed.

Water does not dispense.

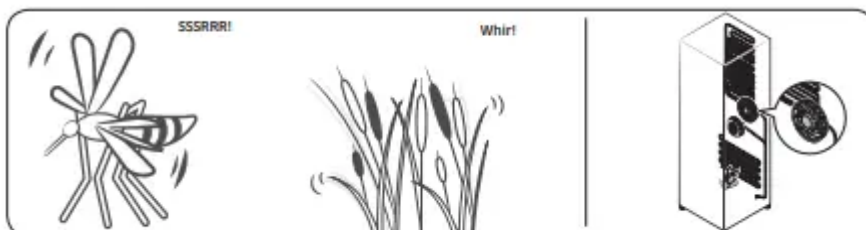
- Water line is not connected properly or water supply is not on.
 - Check if the water line is installed correctly. Check if the water line stop cock is closed.
- Dispenser panel Lock is activated.
 - Deactivate dispenser panel Lock.
- A third-party water filter was installed.
 - Use only Samsung-provided or approved filters.
- Unapproved filters may leak and damage the refrigerator.
 - Water filter indicator turns on or blinks.
- Replace the water filter. After replacing, reset the filter indicator sensor.

These sounds are normal.

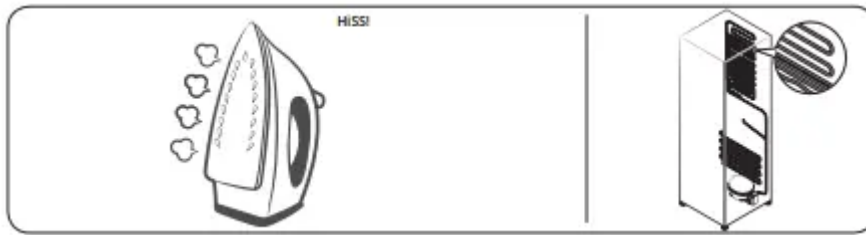
- When starting or ending an operation, the refrigerator may make sounds similar to a car engine ignition. As the operation stabilizes, the sounds will decrease.



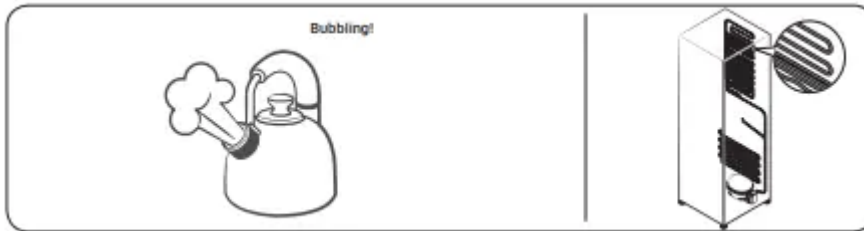
- While the fan is operating, these sounds may occur. When the refrigerator reaches the set temperature, the fan sound will stop.



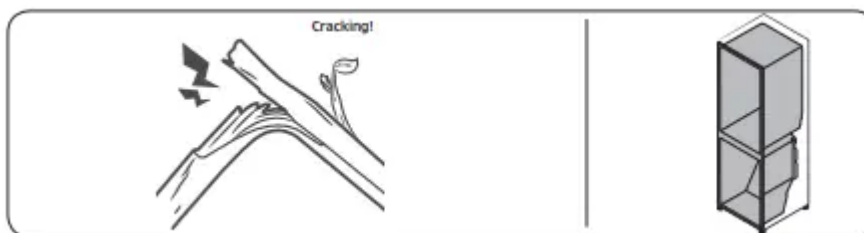
- During a defrost cycle, water may drip on the defrost heater, causing sizzling sounds.



- As the refrigerator cools or freezes, refrigerant gas moves through sealed pipes, causing bubbling sounds.



- As the refrigerator temperature increases or decreases, plastic parts contract and expand, creating knocking noises. These noises occur during the defrosting cycle or when electronic parts are working



- For ice maker models: When the water valve opens to fill the ice maker, you may hear a buzzing sound.
- Due to pressure equalizing when you open and close the refrigerator door, you may hear a whooshing sound.

Warning

This content is compiled from multiple sources and is provided for reference purposes only. It may not be complete or fully applicable to all situations. If you are unable to resolve your issue, please contact the product manufacturer or an authorized service provider for official support.