

KEURIG K-Slim

Use & Care Guide

Get the most from your new Keurig' brewer

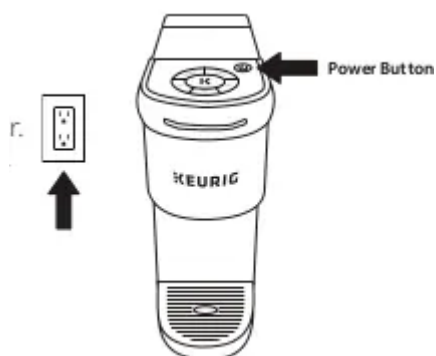


Before You Brew

Plug & Place

Remove packing tape from brewer

Plug into a grounded outlet. Place mug on drip tray.



Rinse & Fill

Remove the water reservoir lid. then lift the reservoir straight up to remove it.

Rinse reservoir with fresh water and fill to the MAX FILL. line Replace water reservoir. making sure the lock tabs engage with the brewer. Replace lid.

NOTE: Do not use distilled water



Lift & Lower

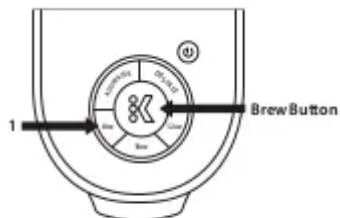
Lift and lower the handle. Do not insert a K-Cup pod. The brewer will power on automatically.



Cleansing Brew

The 3 cup sizes will blink. Press the Boz button, then press the blinking brew button to start a cleansing brew. Pour the hot water into the sink.

The one-time setup process is now complete and you are ready to brew!



Brew Your First Cup

Place Mug & Pod

Place a mug on the drip tray. If using a travel mug, remove the drip tray and place the mug on the drip tray base. Lift the handle and place a K-Cup pod in the K-Cup pod holder. Lower the handle completely to close the lid

Do not remove the foil lid on the K-Cup pod.



Brew & Enjoy!

The three brew size buttons will blink. Select your brew size, then press the blinking brew button. The brew button will remain illuminated while brewing. Brewing is complete when the buttons are no longer illuminated. Lift the handle and dispose of the K-Cup pod.



Brewer Features

Smart Start heats then brews in one simple process. No need to wait for the brewer to heat before selecting brew size. Simply power on your brewer by lifting the handle, insert K-Cup pod, then select your brew size. Press the brew button. The brewer will heat, then automatically begin brewing.

Auto Off automatically turns your brewer off 5 minutes after the last brew for energy savings.

High Altitude To ensure your brewer works properly at higher altitudes (5,000 feet), enable the High Altitude setting by pressing and holding the brew button and 8oz buttons for 3 seconds.

Caring For Your Brewer

Regular cleaning keeps your brewer running smoothly. Always be sure to turn off and unplug your brewer before cleaning.

Brewer Exterior

Keep your Keurig brewer looking its best by cleaning the exterior from time to time. Just clean with a damp, soapy, lint-free, non-abrasive cloth.

Never immerse the brewer in water or other liquids

Drip Tray

The drip tray can hold up to 8 ounces of overflow and should be emptied and cleaned occasionally. To remove, slide it toward you, keeping it level to avoid spilling. Rinse and clean with a damp, soapy, lint-free, non-abrasive cloth.



Water Reservoir

The water reservoir should be cleaned periodically by wiping the inside of the reservoir and underside of the lid with a damp, non-abrasive, lint free cloth. Do not dry the inside of the water reservoir with a cloth as lint may remain. Allow the reservoir to dry completely.



K-Cup Pod Holder

To remove the K-Cup pod holder from the brewer, lift the handle and grasp the top of the K-Cup pod holder with one hand while pushing up on the bottom of the K-Cup pod holder from underneath with the other until it releases. After cleaning, align the » K-Cup pod holder with the opening using the two front ribs as a guide and snap into place from the top.

CAUTION: There are sharp needles that puncture the K-Cup® pod above the K-Cup pod holder and in the bottom of the K-Cup pod holder. To avoid risk of injury, do not put your fingers in the K-Cup® pod holder.

NOTE: Always remove and dispose of the used K-Cup® pod after brewing.



Exit Needle

Remove the pod holder assembly and detach the funnel. Locate the exit needle on the inside bottom of the K-Cup pod holder. Insert a straightened paper clip into the exit needle to loosen any coffee grounds.



Funnel

Washing the funnel ensures a fresh beverage experience. The funnel should be washed regularly and can be removed from the K-Cup pod holder by pulling on it until it pops off. To replace it, orient the snaps to the indent and just snap it back onto the K-Cup pod holder.



Entrance Needle

Lift the brewer handle and locate the entrance needle on the underside of the lid. To clean both holes in the needle, hold the brewer handle in the upward position and with your other hand, carefully insert a straightened paper clip into both holes. Gently move it around to loosen any coffee grounds.

Lower the handle completely and run two water-only brew cycles. Do not insert a K-Cup pod.

TIP: Refer to support.keurig.com for video instructions on cleaning the entrance/exit needles.

Descaling Your Brewer

You should descale your brewer every 3 months. Properly follow the descaling procedure.

Depending on the mineral content of your water, calcium deposits or scale may build up in your brewer. Scale is non toxic but if left unattended can hinder brewer performance.

Regularly descaling your brewer every 3 months helps maintain the heating element, and other internal parts that come in contact with water. Calcium deposits may build up faster, making it necessary to descale more often.

Descaling Procedure

Before you begin, you will need a large ceramic mug, fresh water, Keurig? Descaling Solution, and access to a sink. Do not use a paper cup. Ensure that there is no beverage pod in the K-Cup pod holder. Please allow approximately 15-20 minutes for the descaling procedure.

STEP 1: Descaling Solution Rinse

Pour the entire bottle of Keurig Descal Solution into an emptied water reservoir. Then, fill the empty bottle with water and pour into the water reservoir. Do not insert a K-Cup pod.

Place a large mug on the drip tray. To activate Descale Mode, begin with the brewer powered off, then press and hold the 8oz and 12oz buttons together for 3 seconds until the DESCAL light turns solid.

When brew button begins flashing, press the brew button to start the cleansing rinse brew. Pour the hot liquid into the sink. Repeat the cleansing rinse process until the ADD WATER light illuminates.

STEP 2: Rest & Rinse

Empty the water reservoir and refill to the MAX fill line with fresh water.

STEP 3: Fresh Water Rinse

Press the brew button once it begins flashing. Repeat this process until the ADD WATER light illuminates.

The brewer will now exit Descale Mode and will be ready for use!

NOTE: The cleaning action of Keurig® Descaling Solution is reacting with the

NOTE: The cleaning action of Keurig® Descaling Solution may result in a “foam” dispensed from the brewer. This is natural, as the solution is reacting with the scale inside. For a brewer that is heavily scaled, the brewer may not fill properly after the descaler is added. If this occurs, you may see only a small or no output dispensed, followed by the sound of air blowing out. If this occurs

- Turn off and unplug the brewer
- If there's Keurig Descaling Solution in the water reservoir, discard the contents, rinse the water reservoir thoroughly, and fill with water
- Plug the brewer back in, power on, and repeat the Step 3 Fresh Water Rinse cycle. The brewer should begin to
- function normally as the solution is rinsed out and the scale is removed. If the problem persists, allow the brewer to sit
- unplugged for at least 30 minutes before continuing with the rinse

Troubleshooting

Grounds in Your Coffee

Grounds may have gathered in the exit or entrance needles and can be cleaned using a straightened paper clip or similar tool.

+ Clean the exit needle of the K-Cup pod holder. Refer to the Exit Needle care instructions.

+ Clean the brewer entrance needle. Refer to the Entrance Needle care instructions.

Brewer Will Not Brew

+ A minimum of 602 of water is required to brew. Add an additional 20z of water to the reservoir to ensure the minimum fill level has been met. then press the brew button. Repeat until the brewer begins to dispense.

Brewing a Partial Cup

+ Power the brewer off. Press and hold the brew button and 1202 button for 5 seconds until water starts dispensing. Then release and let the water purge. Discard the contents into the sink. Press the power button to restart.

+ The exit needle may be clogged. Refer to the Exit Needle care instructions.

+ Clean the K-Cup Pod Holder. see K-Cup Pod Holder care instructions.

+ The brewer may need to be descaled. If you have repeated the descale procedure on your brewer two times and it is still only brewing a partial cup. contact Customer Service.

Brewer Does Not Have Power or Shuts Off

+ Make sure that the power button has been turned on.

+ Plug brewer into its own grounded outlet. If the electric circuit is overloaded with other appliances. your brewer may not function properly. The brewer should be operated on its own circuit. separate from other appliances.

+ For energy savings. the brewer automatically turns off 5 minutes after the last brew. Press the power button to restart.

+ If the brewer still doesn't have power. contact Customer Service.

Helpful Hints

Water quality varies greatly. If you notice an undesirable taste in your beverage (such as chlorine or mineral tastes). we recommend using bottled or filtered water. Do not use distilled water.

Service

Beyond these recommended cleaning and maintenance procedures. this brewer is not user serviceable. For service. please refer to the Warranty section of this guide.

Storage

Empty the water reservoir before storing or transporting and take care to ensure that you store your brewer in a safe and frost-free environment. When you prepare to use it after storage. we recommend rinsing the water reservoir with fresh water and descaling the brewer as detailed in the Descaling your Brewer section.

If you plan to move your brewer to a different location, turn the brewer off, unplug it, and empty the water reservoir.

If your brewer has been in an environment below freezing, please be sure to let it warm to room temperature for at least 2 hours before using.

Customer Service Contact

Click or Call! Have Questions?

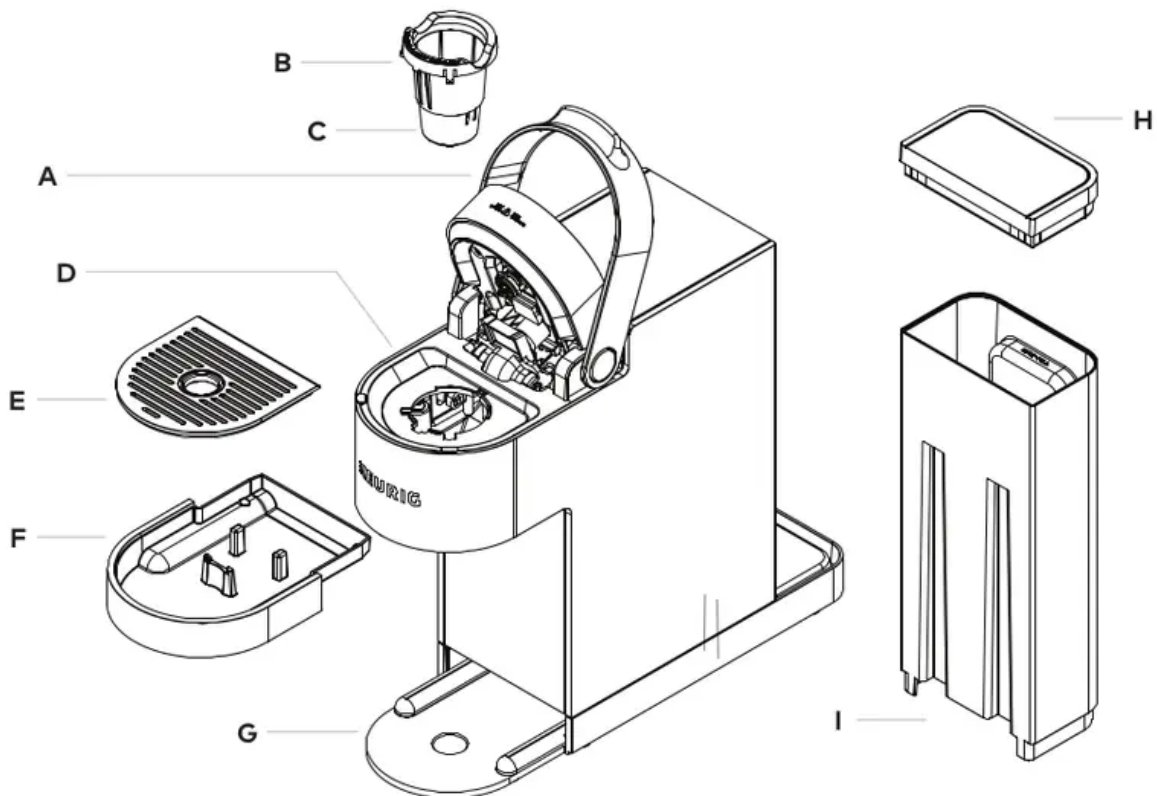
We're here to help. Visit support.keurig.com for step-by-step videos on cleaning, descaling, and more.

Still Need Help?

Give us a call at 1-866-901-BREW (2739)

K- Slim Information

K- Slim SINGLE SERVE COFFEE MAKER



A. Handle

B. K-Cup Pod Holder (B and C are the K-Cup Pod Holder Assembly)

C. Funnel

D. K-Cup Pod Assembly Housing

E. Drip Tray Plate

F. Drip Tray

G. Drip Tray Base

H. Water Reservoir Lid. Water Reservoir

Warning

This content is compiled from multiple sources and is provided for reference purposes only. It may not be complete or fully applicable to all situations. If you are unable to resolve your issue, please contact the product manufacturer or an authorized service provider for official support.

Document generated by [ManualsFile](#)

