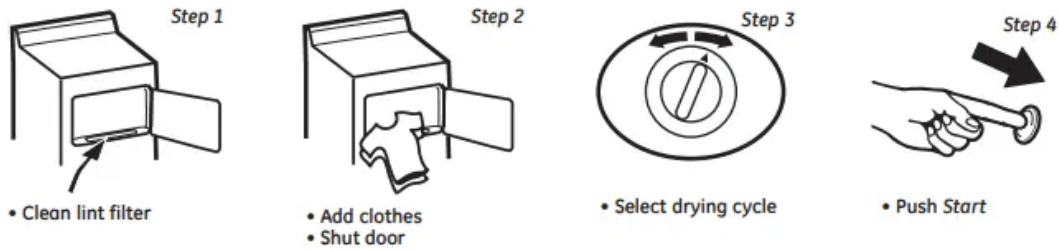


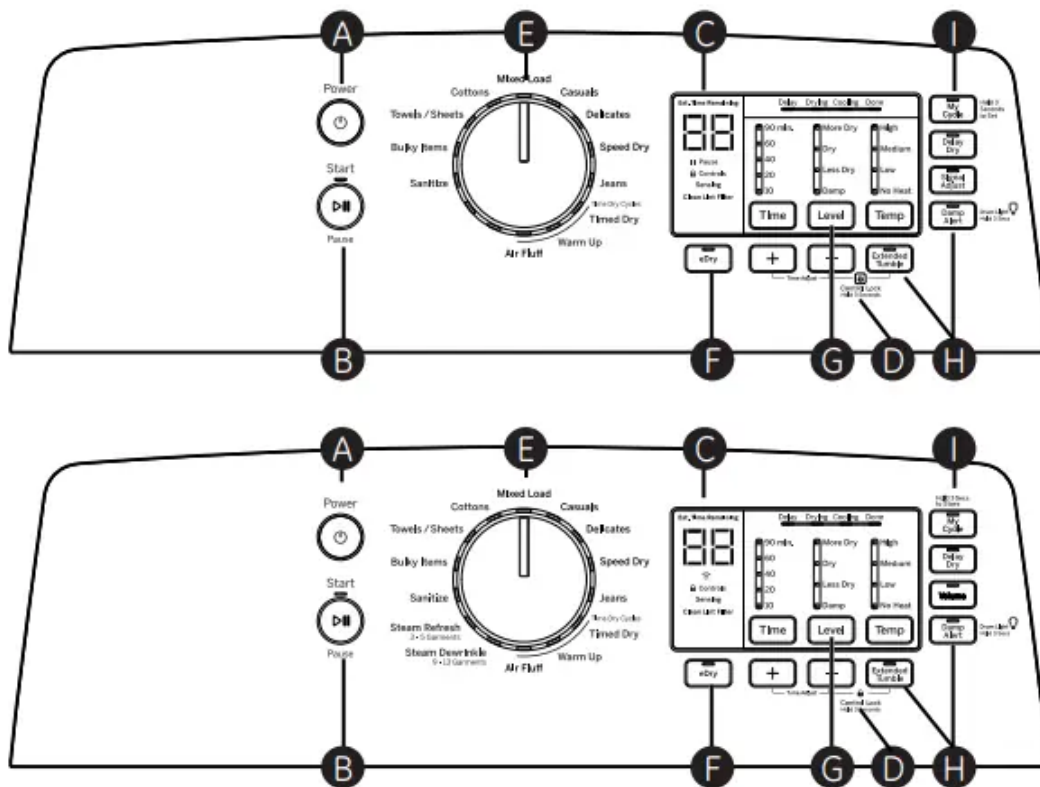
OPERATING INSTRUCTIONS

Throughout this manual, features and appearance may vary from your model.

Quick Start Guide



Features and appearance will vary.



A Power

Press to “wake up” the display. If the display is active, press to put the dryer into idle mode.

NOTE: Pressing Power does not disconnect the appliance from the power supply.

B Start and Pause





Press Start to begin the cycle. NOTE: The door must be closed for the dryer to start the cycle. Pressing Start again will pause the cycle, the Start light will blink and "Pause" will display.

To continue the cycle, press Start again.

C Display and Status Lights

The display shows the approximate time remaining until the end of the cycle.

In addition, this display will show the dryer status:

- Pause: The Start/Pause light will flash and the message "Pause" will show in the display when the dryer's (on some models) cycle is paused. The cycle may be re-started by pressing the Start button.
- WiFi  (on some models): Will allow your appliance to communicate with your smartphone for remote appliance monitoring control and notifications
-  Controls The dryer is locked - will blink once if you press any button or turn the cycle knob.
- Sensing Indicates the dryer is sensing the level of dampness to determine estimated cycle time remaining.
- Clean Lint Filter The Clean Lint Filter light will stay on for 15 seconds after the cycle stops.

D Control Lock

You can lock the controls to prevent any selections from being made. Or you can lock the controls after you have started a cycle. Children cannot accidentally start the dryer by touching buttons with this option selected.

To lock/unlock the dryer controls, press and hold the Extended Tumble and - (minus) buttons for 3 seconds. The control lock icon will flash while locking/unlocking, stay on when locked, and turn off when unlocked.

NOTE: The Power button can still be used when the machine is locked.

E **Drying Cycles** - Sensor cycles automatically determine fabric dryness. Timed cycles run for the selected time.

<p>Steam Dewrinkle (on some models)</p>	<p>For use with larger loads than Steam Refresh. Ideal for loads left in the dryer for extended time. Steam Dewrinkle is recommended for 9-13 garments NOTE: Steam cycles are not intended for use with towels.</p> <p>Important - the temperature setting must be set to HIGH and water must be on before running the Steam Refresh cycle.</p>
<p>Steam Refresh (on some models)</p>	<p>For slightly wrinkled dry garments. Significantly reduces wrinkles. After the Steam Refresh cycle, the unit will beep (if Signal is selected) and display "00."</p> <p>Steam Refresh is recommended for 3-5 garments NOTE: Steam cycles are not intended for use with towels.</p> <p>NOTE: A single extremely light fabric item may need to have an additional item in the Steam Refresh cycle to achieve optimum results.</p> <p>Important - the temperature setting must be set to HIGH and water must be on before running the Steam Refresh cycle.</p>
<p>Sanitize or Anti-Bacterial (depending on model)</p>	<p>This option reduces certain types of bacteria including: Staphylococcus aureus, Pseudomonas aeruginosa and Klebsiella pneumoniae. The anti-bacterial procedure is activated when high heat is used during a portion of the drying cycle.</p> <p>NOTE: Do not use this cycle on delicate fabrics.</p>
<p>Bulky Items</p>	<p>For large coats, bed spreads, mattress covers, sleeping bags, and similar large items such as blankets, comforters, jackets, and small rugs.</p>
<p>Towels/Sheets</p>	<p>For most towels and linens.</p>
<p>Cottons</p>	<p>For cottons and most linens.</p>
<p>Mixed Load</p>	<p>For loads consisting of cottons and poly-blends.</p>
<p>Casuals</p>	<p>For wrinkle-free, permanent press, delicate items and knits.</p>
<p>Delicates</p>	<p>For delicate items, special-care fabrics and knits.</p>



Speed Dry	For small loads that are needed in a hurry, such as sport or school uniforms. Can be used if the previous cycle left some items damp, such as collars or waistbands. On some models, the time remaining in the cycle will show counting down in the
Jeans	For jeans.
Timed Dry	Set the Cycle Selector at the desired drying time.
Warm Up	Provides 10 minutes of warming time to warm up clothes.
Air Fluff	Provides 10 minutes of tumbling time with no heat.

F eDry

Available for Bulky Items, Towels/Sheets, Cottons, Mixed Load, Jeans, Casuals and Delicates. When the eDry button is pressed, cycle settings change to reduce the total energy consumption of the selected sensor cycle. NOTE: Cycle times will change when eDry is selected. The eDry option will default to on for Cottons. For optimal energy savings, turn eDry on. For optimal drying times, turn eDry off. NOTE: Energy savings will vary across loads and cycles.

H Extended Tumble

Use this option to minimize the wrinkles in clothes. It provides 1 hour of no-heat tumbling after the clothes are dry. If you are using the cycle **Signal Adjust** or **Volume** and you select the **Extended Tumble** option, a signal will sound at the end of the drying time and several times during the **Extended Tumble** cycle. This will remind you that it is time to remove the clothes.

Damp Alert

This option causes the dryer to beep when clothes have dried to a damp level. Remove items that you wish to hang dry. The **Damp Alert** will only beep when this option is selected (but the dry cycle will keep running). Removing clothes and hanging them when they are damp, can reduce the need to iron some items. The light beside the button will be lit when **Damp Alert** is on.

Drum Light

The drum light will turn on if the **Damp Alert** button is pressed for 3 seconds or the door is opened. It will turn off when the door is shut, the **Damp Alert** button is pressed again for 3 seconds or after 5 minutes if the door is left open.

Delay Dry

Press the **Delay Dry** button to set the delay start time in 1 hour increments up to 24 hours, and then back to clear (0 hours). After selecting the delay start time, press **Start** and the delay time will count down the time remaining until the cycle starts. **NOTE:** To set the amount of delay time faster, you can press and hold the **Delay Dry** button.

Delay Dry for WiFi Connected Dryers

For more information see the **Appliance Communication** section.

You have two options to set **Delay Dry** using your smartphone.

Option 1: Follow **Delay Dry** instructions. You can use the **GE Appliances** Laundry App to adjust the amount of time via your smartphone.

Option 2: Set your dryer to "AP" using the **Delay Dry** button. This allows you to use the **GE Appliances** Laundry App via your smartphone to start your dryer remotely at the time of your choosing. If the dryer is set to AP with no activity, it will start the dryer 24 hours later.

Signal Adjust or Volume (depending on model)

Use the **Signal Adjust** or **Volume** button to change the volume of the button presses and the end of cycle signal. Press the button until you reach the desired volume or off. The clothes should be removed when the end of cycle signal goes off so wrinkles do not set in.

NOTE:

- Remove garments promptly at the sound of signal. Place clothes on hangers so wrinkles will not set in.
- Use the **Signal Adjust** or **Volume** especially when drying fabrics like polyester, knits and permanent press. These fabrics should be removed so wrinkles will not set in.



My Cycle

As the cycle selector knob is turned, the **Time** (timed dry), **Level** (dryness level) and **Temp** (temperature) settings change to automatic pre-set default settings. If you desire a different setting, press the appropriate button(s). Then press and hold the **My Cycle** button for 3 seconds and the dryer will "remember" these settings for that Knob Selection. In the future, when you turn the selector knob to that cycle, your settings will be automatically recalled.

NOTE: Signal volume cannot be set for **My Cycle**.

About the dryer features.

Sensor Dry

This feature is active in all cycles except Timed Dry, Warm Up and Air Fluff.

The Sensor Dry provides greater drying accuracy than standard machines, resulting in shorter dry times and better clothes care. As the clothes tumble, they touch a moisture

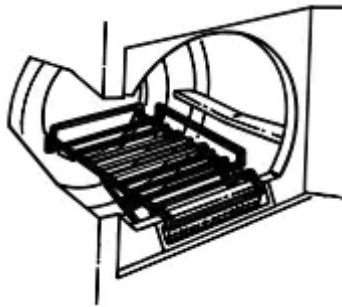
sensor. The sensor will stop the heating cycle as soon as the clothes have reached the selected dryness.

This dryer will adjust the initial estimated drying time of the sensor dry cycles as it “learns” its installation and usage profile. Please allow several weeks for the dryer to customize itself to “you”.

Drum Light

The drum light is an LED light. Replacement must be done by a qualified technician.

Drying Rack (on some models)



A handy drying rack may be used for drying delicate items such as washable sweaters.

Hook the rack over the lint filter so the rack extends into the dryer drum.

NOTE:

- The drying rack must be used with the Timed Cycle.
- Do not use this drying rack when there are other clothes in the dryer.

Alloy Steel Drum (on some models)

The alloy steel used to make the dryer drum provides the highest reliability available in a GE Appliances dryer.

If the dryer drum should be scratched or dented during normal use, the drum will not rust or corrode. These surface blemishes will not affect the function or durability of the drum.

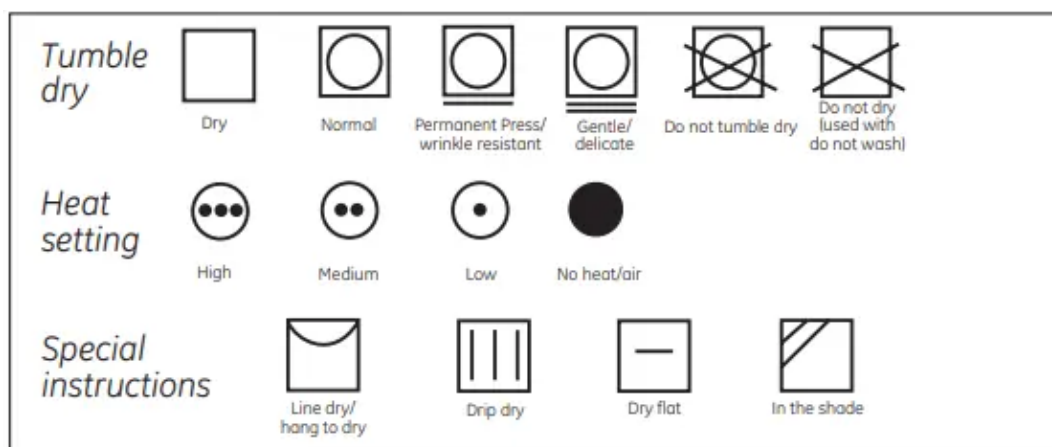
About loading and using the dryer.

Always follow the fabric manufacturer’s care label when laundering.

Fabric Care Labels

Below are fabric care label “symbols” that affect the clothing you will be laundering.

Dry Labels



Care and Cleaning of the Dryer.

The Exterior: Wipe or dust any spills or washing compounds with a damp cloth. Dryer control panel and finishes may be damaged by some laundry pretreatment soil and stain remover products. Apply these products away from the dryer. The fabric may then be washed and dried normally. Damage to your dryer caused by these products is not covered by your warranty.

The Lint Filter. Clean the lint filter before each use. Remove by pulling straight up. Run your fingers across the filter. A waxy buildup may form on the lint filter from using dryer added fabric softener sheets.

To remove this buildup, wash the lint screen in warm, soapy water. Dry thoroughly and replace. Do not operate the dryer without the lint filter in place.

Vacuum the lint from the dryer lint filter area if you notice a change in dryer performance.

Stainless Steel: To clean stainless steel surfaces, use a damp cloth with a mild, non-abrasive cleaner suitable for stainless steel surfaces. Remove the cleaner residue, and then dry with a clean cloth.

Dryer Interior and Duct: The interior of the appliance and exhaust duct should be cleaned once a year by qualified service personnel.

The Exhaust Duct: Inspect and clean the exhaust ducting at least once a year to prevent clogging. A partially clogged exhaust can lengthen the drying time.

Follow these steps:

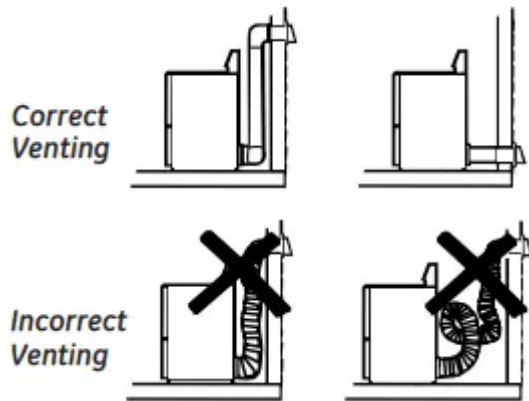
1. Turn off electrical supply by disconnecting the plug from the wall socket.
2. Disconnect the duct from the dryer.
3. Vacuum the duct with the hose attachment and reconnect the duct.

The Exhaust Hood: Check from the outside that the flaps of the hood move freely when operating. Make sure that there is not wildlife (birds, insects, etc.) nesting inside the duct or hood.

About venting the dryer.

For the best drying performance, the dryer needs to be properly vented. The dryer will use more energy and run longer if it is not vented to the below specifications. Carefully follow the details on Exhausting in the Installation Instructions.

- Use only rigid metal 4" diameter ductwork inside the dryer cabinet. Use only rigid metal or UL listed flexible metal 4" diameter ductwork for exhausting to the outside.
- Do not use plastic or other combustible ductwork.
- Use the shortest length possible.
- Do not crush or collapse.
- Avoid resting the duct on sharp objects.
- Venting must conform to local building codes.



TROUBLESHOOTING TIPS

Before you call for service...

<i>Problem</i>	<i>Possible Causes</i>	<i>What To Do</i>
<i>Dryer doesn't start</i>	Dryer is unplugged	<ul style="list-style-type: none"> • Make sure the dryer plug is pushed completely into the outlet.
	Fuse is blown/circuit breaker is tripped	<ul style="list-style-type: none"> • Check the house fuse/circuit breaker box and replace fuse or reset breaker. NOTE: Most dryers use two fuses/breakers.
<i>Dryer doesn't heat</i>	Fuse is blown/circuit breaker is tripped; the dryer may tumble but not heat	<ul style="list-style-type: none"> • Check the house fuse/circuit breaker box and replace both fuses or reset both breakers. Dryer may tumble if only one fuse is blown or one breaker is tripped.
	Gas service is off	<ul style="list-style-type: none"> • Make sure gas shutoff at dryer and main are fully open.
	No heat temperature selected	<ul style="list-style-type: none"> • Select another heat setting.
<i>Dryer shakes or makes noise</i>	Some shaking/noise is normal. Dryer may be sitting unevenly	<ul style="list-style-type: none"> • Move dryer to an even floor space, or adjust leveling legs as necessary until even.
<i>Greasy spots on clothes</i>	Improper use of fabric softener	<ul style="list-style-type: none"> • Follow directions on fabric softener package.
	Drying dirty items with clean ones	<ul style="list-style-type: none"> • Use your dryer to dry only clean items. Dirty items can stain clean items and the dryer.
	Clothes were not completely clean	<ul style="list-style-type: none"> • Sometimes stains which cannot be seen when clothes are wet appear after drying. Use proper washing procedures before drying.
<i>Lint on clothes</i>	Lint filter is full	<ul style="list-style-type: none"> • Clean lint screen before each load.



	Improper sorting	<ul style="list-style-type: none"> Sort lint producers (like chenille) from lint collectors (like corduroy).
	Static electricity can attract lint	<ul style="list-style-type: none"> See suggestions in this section under S
	Overloading	<ul style="list-style-type: none"> Separate large loads into smaller ones.
	Paper, tissue, etc., left in pockets	<ul style="list-style-type: none"> Empty all pockets before laundering clothes.
Static occurs	No fabric softener was used	<ul style="list-style-type: none"> Try a fabric softener. Bounce® Fabric Conditioner Dryer Sheet has been approved for use in all GE Appliances when used in accordance with the manufacturer's instructions.
	Over-drying	<ul style="list-style-type: none"> Try a fabric softener. Adjust setting to Less Dry or Damp Dry.
	Synthetics, permanent press and blends can cause static	<ul style="list-style-type: none"> Try a fabric softener.
Inconsistent drying times	Type of heat	<ul style="list-style-type: none"> Automatic drying times will vary according to type of heat used (electric, natural or LP), size of load, types of fabrics, wetness of clothes and condition of exhaust ducts.
The Dry dryness level was chosen but load is still damp	Load consists of a mixture of heavy and light fabrics Exhaust system is blocked	<ul style="list-style-type: none"> When combining heavy and light fabrics, choose More Dry if you are using a sensor. Inspect and clean exhaust system.

<i>Problem</i>	<i>Possible Causes</i>	<i>What To Do</i>
<i>Clothes take too long to dry</i>	Improper sorting	<ul style="list-style-type: none"> • Separate heavy items from lightweight items (generally, a well-sorted washer load is a well-sorted dryer load).
	Large loads of heavy fabrics (like beach towels)	<ul style="list-style-type: none"> • Large, heavy fabrics contain more moisture and take longer to dry. Separate large, heavy items into smaller loads to speed drying time.
	Controls improperly set	<ul style="list-style-type: none"> • Match control settings to the load you are drying.
	Lint filter is full	<ul style="list-style-type: none"> • Clean lint filter before every load.
	Improper or obstructed ducting	<ul style="list-style-type: none"> • Check installation instructions for proper venting. • Make sure ducting is clean, free of kinks, and unobstructed. • Check to see if outside wall damper operates properly. • Check the Installation Instructions to make sure dryer venting is correct.
	Blown fuses or tripped circuit breaker	<ul style="list-style-type: none"> • Replace fuses or reset circuit breakers. Most dryers use 2 fuses/breakers, make sure both are operating.
	Overloading/combining loads	<ul style="list-style-type: none"> • Do not put more than one washer load into the dryer at a time.
	Under-loading	<ul style="list-style-type: none"> • If you are drying only one or two items, add more items to ensure proper tumbling.
<i>Clothes are wrinkled</i>	Over-drying	<ul style="list-style-type: none"> • Select a shorter drying time. • Remove items while they still hold a slight amount of moisture. Select a Less Dry or Damp Dry setting.

	<p>Letting items sit in dryer after cycle ends</p> <ul style="list-style-type: none"> • Remove items when cycle ends and fold immediately.
	<p>Overloading</p> <ul style="list-style-type: none"> • Separate large loads into smaller ones.
<p><i>Clothes shrink</i></p>	<p>Some fabrics will naturally shrink when washed. Others can be safely washed, but will shrink in the dryer</p> <ul style="list-style-type: none"> • To avoid shrinkage, follow garment care labels exactly. • Some items may be pressed back into shape after drying. • If you are concerned about shrinkage in a specific item, do not machine wash or tumble dry it.
<p><i>Water seen on inside of door and top of lint filter when opening door after steam cycle</i></p>	<p>Steam condenses on these surfaces</p> <ul style="list-style-type: none"> • This is normal.
<p><i>Small areas on clothes are damp after steam cycle</i></p>	<p>Steam condenses on inner drum</p> <ul style="list-style-type: none"> • If using the Steam Dewrinkle cycle, manually reduce the cycle time. If using the Steam Refresh cycle, add more garments to the load.
<p><i>Collars and waistbands still wet at end of cycle</i></p>	<p>The dryness monitor senses that the body of the clothes is dry</p> <ul style="list-style-type: none"> • Choose Speed Dry or Timed Dry to dry collars and waistbands. In the future, when you have a load with collars and waistbands, choose Speed Dry.
<p><i>Slight variation in metallic color</i></p>	<p>This is normal</p> <ul style="list-style-type: none"> • Due to the metallic properties of paint used in this unique product, slight variations of color may occur due to



<i>Problem</i>	<i>Possible Causes</i>	<i>What To Do</i>
<i>Small amount of water on floor in front of dryer</i>	Inadequate load size for steam cycle selected, excess steam condenses inside cabinet and leaks out	<ul style="list-style-type: none"> • If using the Steam Dewrinkle cycle, manually reduce time. If using the Steam Refresh cycle, add more garments to the load.
<i>Water on floor in back of dryer</i>	Loose water hose connection to valve	<ul style="list-style-type: none"> • Tighten connection.
	Hose missing rubber washer at connection with valve	<ul style="list-style-type: none"> • Install rubber washer provided with hose.
<i>Water drips from door when opened after a Steam Cycle</i>	Steam condenses on inner door	<ul style="list-style-type: none"> • This is normal.
<i>Cannot see steam at beginning of cycle</i>	Steam released at different time in cycle	<ul style="list-style-type: none"> • This is normal.
<i>Cannot see steam at any time during the cycle water supply</i>	The steam nozzle might be clogged with debris from your	<ul style="list-style-type: none"> • Call GE Appliances at 800.GE.CARES or visit www.ge.com/appliances for a steam nozzle replacement kit WE25M71 or to request a service technician to replace this for you.
<i>Garments still wrinkled after steam cycle</i>	Too many garments	<ul style="list-style-type: none"> • Load fewer garments; manually increase steam time.
<i>Dryer continues to tumble after display says complete</i>	Extended/Dewrinkle Tumble was selected	<ul style="list-style-type: none"> • Ensure Extended/Dewrinkle Tumble is not selected. For the Steam Refresh cycle, Extended/Dewrinkle Tumble will automatically be turned on and cannot be turned off.
<i>Garments are wet after Steam cycle</i>	Lint filter not clean	<ul style="list-style-type: none"> • Clean lint filter

	Load is children/infant garments	<ul style="list-style-type: none"> • Use the Steam Refresh cycle.
No numbers displayed during cycle, only lights	Dryer is continuously monitoring the amount of moisture in the clothes	<ul style="list-style-type: none"> • This is normal. When the dryer senses of moisture in the load, the dryer will display time remaining.
Time Remaining jumped to a lower number	The estimated time may change when a smaller load than usual is drying	<ul style="list-style-type: none"> • This is normal.
Dryer is running but 00 is displayed in Time Remaining	The Extended/Dewrinkle Tumble option was chosen	<ul style="list-style-type: none"> • This is normal. During Extended/Dewrinkle Tumble, the time remaining is not displayed. The extended tumbling option lasts approximately 60 minutes and dewrinkle 60 minutes.
Clothes are still wet and dryer shuts off after a short time	The door was opened mid-cycle. The load was then removed from the dryer and a new load put in without selecting a new cycle	<ul style="list-style-type: none"> • A dry cycle must be re-selected each time a new load is put in.
	Small load	<ul style="list-style-type: none"> • When drying 3 items or less, choose Speed Dry or Timed Dry.
	Load was already dry except for collars and waistbands	<ul style="list-style-type: none"> • Choose Speed Dry or Timed Dry to dry collars and waistbands. In the future, when drying collars and waistbands, choose More Dry.
	Dryer is not level	<ul style="list-style-type: none"> • Move dryer to an even floor space or adjust the leveling legs as necessary until even.

Warning

This content is compiled from multiple sources and is provided for reference purposes only. It may not be complete or fully applicable to all situations. If you are unable to resolve your issue, please contact the product manufacturer or an authorized service provider for official support.



