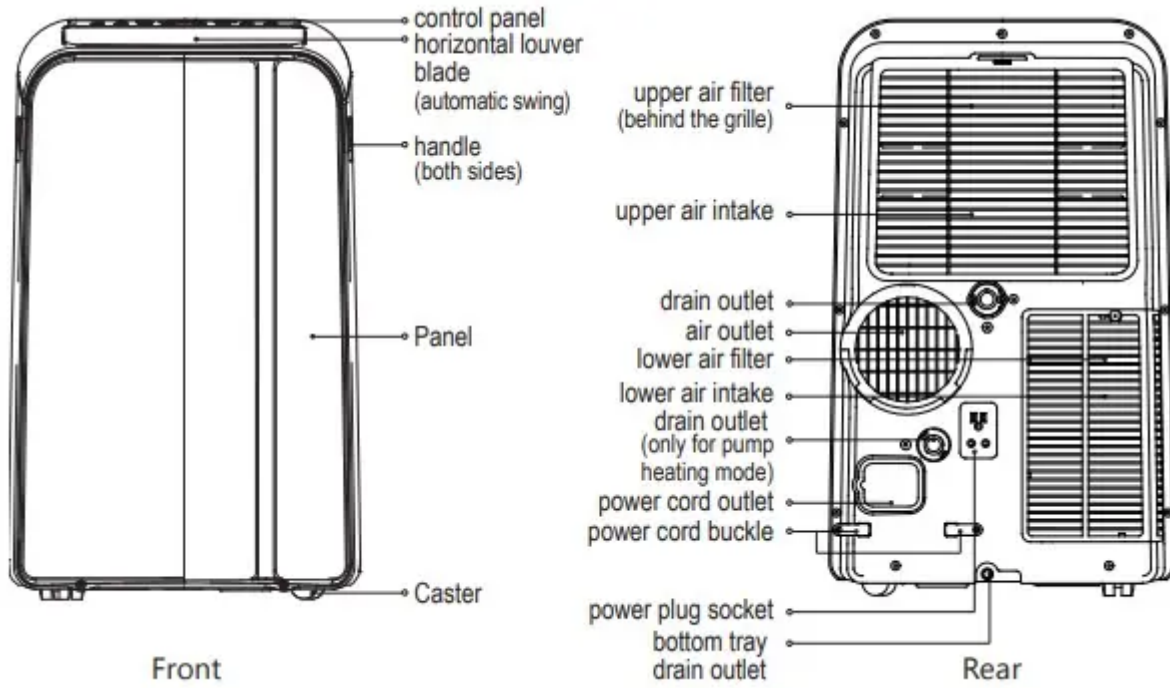


OPERATING INSTRUCTIONS

Preparation



Design and Compliance Notes

Design Notice:

- In order to ensure the optimal performance of our products, the design specifications of the unit and remote control are subject to change without prior notice.

Energy Rating Information:

- The Energy Rating for this unit is based on an installation using an unextended exhaust duct without adaptors A or B (as shown in the Installation section of this manual).

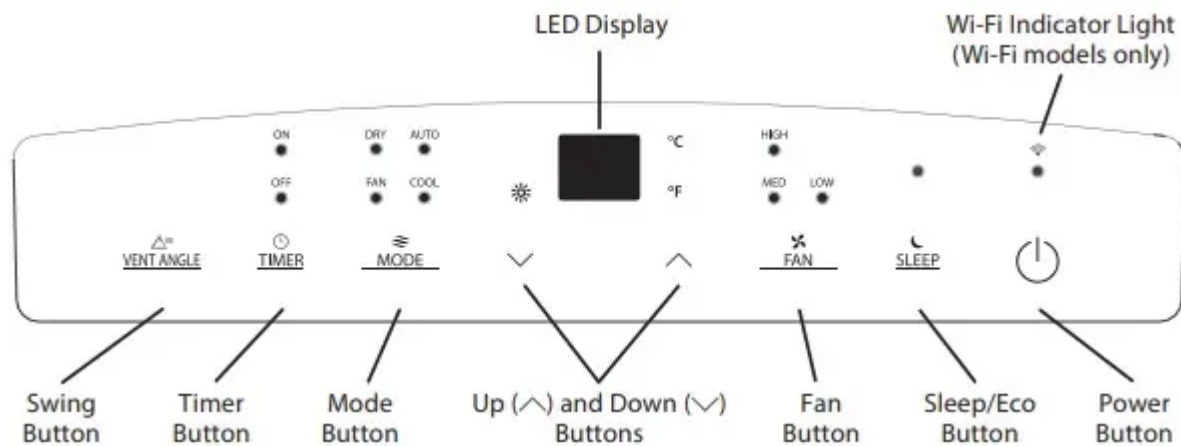
Unit Temperature Range:

Mode	Temperature Range
Cool	17°C ~ 35°C (62°F ~ 95°F)
Dry	13°C ~ 35°C (55°F ~ 95°F)
Heat (heat pump mode)	5°C ~ 30°C (41°F ~ 86°F)
Heat (electrical heat mode)	≤ 30°C (86°F)

Exhaust Hose Installation:

- The exhaust hose and adaptor must be installed or removed in accordance with the usage mode. For COOL, HEAT (heat pump type) or AUTO mode, exhaust hose must be installed. For FAN, DEHUMIDIFY or HEAT (electrical heat type) exhaust hose must be removed.

Control Panel Features



Swing Button

- Used to initiate the Auto Swing feature. When the operation is ON, pressing the SWING button can stop the louver at the desired angle.

Timer button

- Used to initiate the AUTO ON start time and AUTO OFF stop time program, in conjunction with the Up (^) and Down (v) buttons. The timer on or off light will illuminate depending on the selected setting.

Fan button

- Controls the fan speed. Press to control the fan speed in four steps - LOW, MID, HIGH and AUTO. The selected fan speed light (except AUTO) will illuminate. When AUTO is selected, no lights will illuminate.

Mode button

- Selects the desired operating mode. Each time you press the button, a mode is selected in a sequence that goes from AUTO, COOL, DRY, FAN and HEAT (cooling only models excluded). The mode light illuminates and indicates the selected mode.

Up (^) and Down (v) buttons

- Used to adjust (increasing/decreasing) temperature settings in 1°C/1°F increments in a range of 17°C/62°F to 30°C/86°F or the TIMER setting in a range of 0 ~ 24hrs.

Power button

- Power switch on/off .

Sleep (Eco)/Filter button

- Used to initiate the SLEEP/ECO operation.

WI-FI Function (Available on Wi-Fi models only)



- With the unit ON, press the VENT ANGLE/ SWING button for 3 seconds to initiate the Wireless Connection mode. The LED display will display “AP” to indicate the wireless access point is available. Follow the instructions on the Wi-Fi setup manual and the latest app version available for your phone operating system. If the connection is successful, the unit will exit “AP” mode automatically and the Wi-Fi indicator light will illuminate. If connection is unsuccessful within 8 minutes, the unit exits “AP” mode and returns to regular operation.
- If the Wi-Fi function is ON and there is a need to turn it off , press and hold the VENT ANGLE/SWING button and DOWN (-) button simultaneously for 3 seconds. The display will show “OFF” for 3 seconds and the Wi-Fi function will become inactive. To turn it back on, press and hold the VENT ANGLE/SWING button and UP (+) button simultaneously for 3 seconds. The display will show “ON” for 3 seconds. When you restart the wireless functions, it will take a period of time to connect to the network automatically. Always be sure your wireless connection is working properly and there is a valid internet connection for Wi-Fi functionality to work.

LED display

Shows the set temperature in °C (Degrees Celsius) or °F (Degrees Fahrenheit) and the Auto-timer settings. While on DRY and FAN modes, it shows the room temperature. Shows Error codes and protection code:

- E1 - Room temperature sensor error.
- E2 - Evaporator temperature sensor error.
- E3 - Condenser temperature sensor error (select models).
- E4 - Display panel communication error.
- P1 - Bottom tray is full - Connect the drain hose and drain the collected water away. If protection code repeats, call for service.

COOL operation

- Press the “MODE” button until the “COOL” indicator light comes on.
- Press the ADJUST buttons Up () or Down () to select your desired room temperature. The temperature can be set within a range of 17°C~30°C/62°F~86°F.
- Press the “FAN SPEED” button to choose the fan speed.

HEAT operation (available on HEAT models only)

- Press the “MODE” button until the “☀” indicator light comes on.
- Press the ADJUST buttons Up (^) or Down (v) to select your desired room temperature. The temperature can be set within a range of 17°C~30°C/62°F~86°F.
- Press the “FAN SPEED” button to choose the fan speed. For some models, the fan speed cannot be adjusted while in HEAT mode.

DRY operation

- Press the “MODE” button until the “DRY” indicator light comes on.
- While in this mode, you cannot select a fan speed or adjust the temperature. The fan motor operates at LOW speed.
- Keep windows and doors closed for the best dehumidifying effect.
- Do not connect the duct to a window

AUTO operation

- When you set the air conditioner to AUTO mode, it will automatically select cooling, heating (cooling only models excluded), or fan only operation depending on what temperature you have selected and the current room temperature.
- The air conditioner will control room temperature automatically according to the temperature point set by you.
- Under AUTO mode, you cannot select the fan speed.

FAN operation

- Press the “MODE” button until the “FAN” indicator light comes on.
- Press the “FAN SPEED” button to choose the fan speed. The temperature cannot be adjusted.
- Do not connect the duct to a window.

TIMER operation

- When the unit is on, pressing the Timer button will initiate the Auto-off stop program. The TIMER OFF indicator light illuminates. Press the Up or Down button to select the desired time. Press the TIMER button again within 5 seconds. The Auto on start program is initiated and the TIMER ON indicator light illuminates. Press the Up or Down button to select the desired Auto-on start time
- When the unit is off , press the Timer button to initiate the Auto-on start program. Pressing it again within five seconds will initiate the Auto off stop program.
- Press or hold the Up or Down button to change the Auto time by 0.5-hour increments, up to 10 hours, then at 1-hour increments up to 24 hours. The control will count down the time remaining until start.

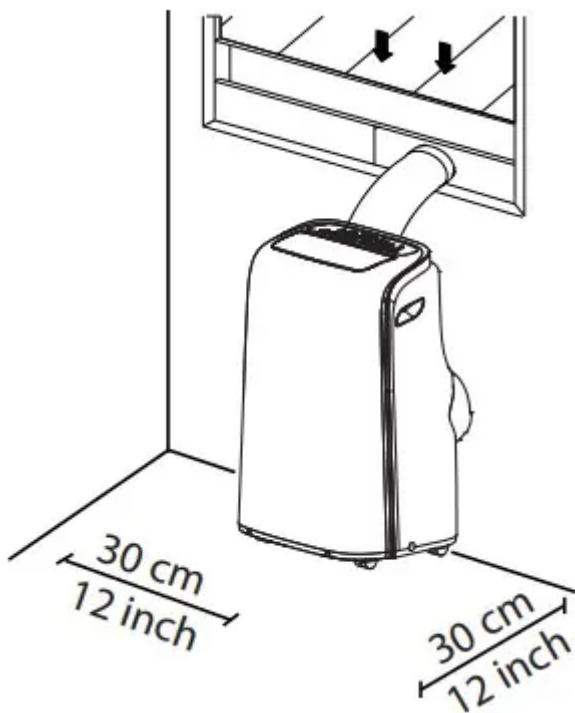
- The system will automatically revert back to display the previous temperature setting if there is no operation within 5 seconds.
- Turning the unit ON or OFF at any time or adjusting the timer setting to 0.0 will cancel the Auto Start/Stop timer program.
- Should a malfunction occur, the Auto Start/Stop timed program will also be canceled.

SLEEP/ECO operation

- Pressing this button will increase (during cooling operation) or decrease (during heating operation, applicable models) 1°C/1°F after 30 minutes. The temperature will again increase (cooling) or decrease (heating) by another 1°C/1°F after an additional 30 minutes. This new temperature will be maintained for 7 hours before returning to the originally selected temperature. This ends the Sleep/Eco mode and the unit will continue to operate as originally programmed.

INSTALLATION INSTRUCTIONS

Choosing the Right Location



Your installation location should meet the following requirements:

- Make sure that you install your unit on an even surface to minimize noise and vibration.
- The unit must be installed near a grounded plug, and the Collection Tray Drain (found on the back of the unit) must be accessible.
- The unit should be located at least 30 cm (12") from the nearest wall to ensure proper air conditioning.


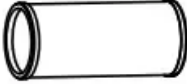










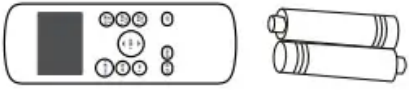
- DO NOT cover the Intakes, Outlets or Remote Signal Receptor of the unit, as this could cause damage to the unit.

Tools Needed

- Medium Phillips screwdriver
- Tape measure or ruler
- Knife or scissors
- Saw (optional, to shorten window adaptor for narrow windows).

Accessories

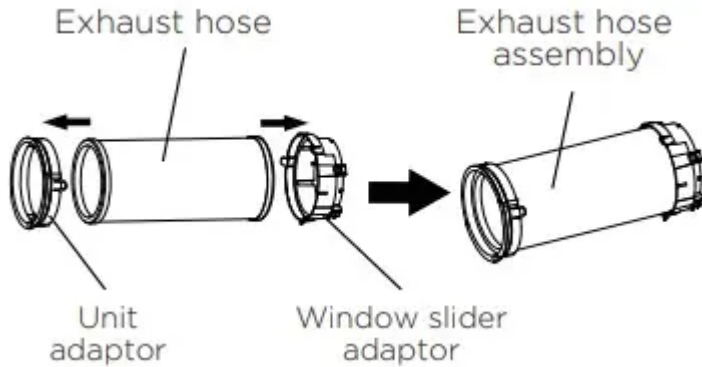
Your Window Installation Kit fits windows 67.5-123 cm (26.5"-48") and can be shortened for smaller windows.

Part	Description	Quantity
	Unit adaptor	1 pc
	Exhaust hose	1 pc
	Window slider adaptor	1 pc
	Bolt	1 pc
	Window slider A	1 pc
	Window slider B	1 pc
	Foam seal A (adhesive)	2 pc
	Foam seal B (adhesive)	2 pc
	Foam seal C (Non-adhesive)	1 pc
	Security bracket and 2 screws	1 set
	Drain hose	1 pc
	Drain hose adaptor (For heat pump mode only)	1 pc
	Remote controller and battery (For remote control models only)	1 set

Window Installation Kit

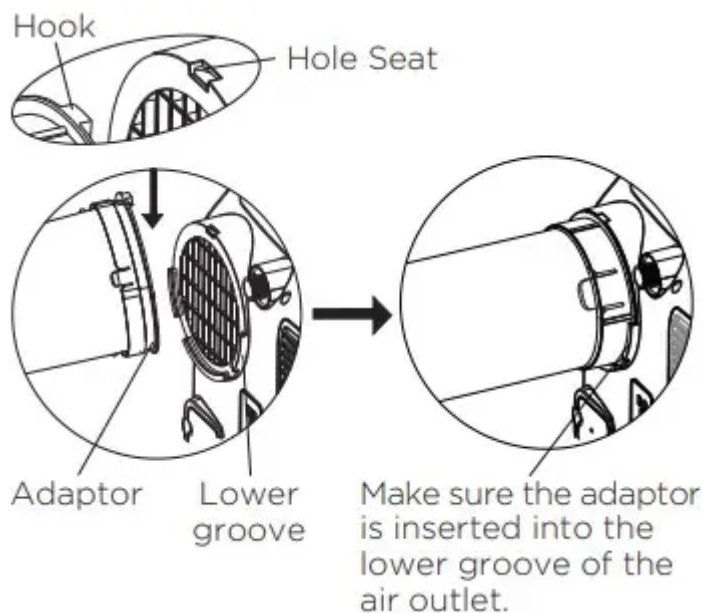
Step One: Preparing the exhaust hose assembly

Press the exhaust hose into the window slider adaptor and unit adaptor, clamp automatically by elastic buckles of the adaptors.



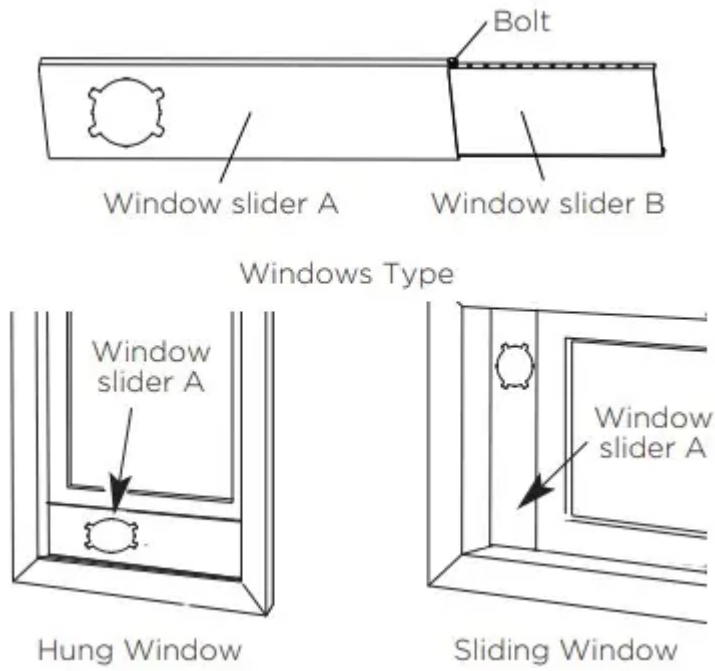
Step Two: Install the exhaust hose assembly to the unit

Insert unit adaptor of the Exhaust hose assembly into the lower groove of the air outlet of the unit with the hook of the adaptor aligned with the hole seat of the air outlet and slide down the Exhaust hose assembly along the direction indicated by the arrow for installation.



Step Three: Preparing the adjustable window slider

1. Depending on the size of your window, adjust the size of the window slider.
2. If the length of the window requires two window sliders, use the bolt to fasten the window sliders once they are adjusted to the proper length.

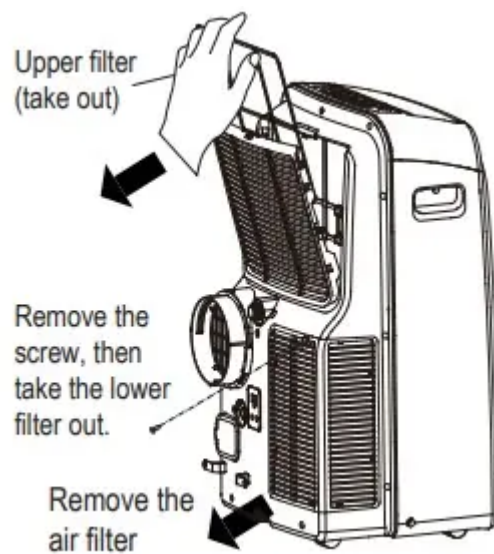


CARE AND CLEANING

Safety Precautions

- Always unplug the unit before cleaning or servicing.
- DO NOT use flammable liquids or chemicals to clean the unit.
- DO NOT wash the unit under running water. Doing so causes electrical danger.
- DO NOT operate the machine if the power supply was damaged during cleaning. A damaged power cord must be replaced with a new cord from the manufacturer.

Air Filter Cleaning



Maintenance Tips

- Be sure to clean the air filter every 2 weeks for optimal performance.
- The water collection tray should be drained immediately after P1 error occurs, and before storage to prevent mold.
- In households with animals, you will have to periodically wipe down the grill to prevent blocked airflow due to animal hair.

Unit Cleaning

- Clean the unit using a damp, lint-free cloth and mild detergent. Dry the unit with a dry, lint-free cloth.

Store the Unit When Not in Use

- Drain the unit's water collection tray according to the instructions in the following section.
- Run the unit on FAN mode for 12 hours in a warm room to dry it and prevent mold.
- Turn off the unit and unplug it.
- Clean the air filter according to the instructions in the previous section. Reinstall the clean, dry filter before storing.
- Remove the batteries from the remote control.

TROUBLESHOOTING TIPS

Malfunction Diagnosis

Unit does not turn on when pressing ON/OFF button

- P1 Error Code.
 - The water collection tray is full. Turn off the unit, drain the water from the water collection tray and restart the unit.
- In COOL mode: room temperature is lower than the set temperature.
 - Reset the temperature.

Unit does not cool well

- The air filter is blocked with dust or animal hair.
 - Turn off the unit and clean the filter according to instructions.
- Exhaust hose is not connected or is blocked.
 - Turn off the unit, disconnect the hose, check for blockage and reconnect the hose.

- The unit is low on refrigerant.
 - Call a service technician to inspect the unit and top off refrigerant.
- Temperature setting is too high.
 - The windows and doors in the room are open.
- Make sure all windows and doors are closed.
 - Decrease the set temperature.
- The room area is too large.
 - Double-check the cooling area.
- There are heat sources inside the room.
 - Remove the heat sources if possible.

The unit is noisy and vibrates too much

- The floor is not level.
 - Place the unit on a flat, level surface.
- The air filter is blocked with dust or animal hair.
 - Turn off the unit and clean the filter according to instructions.

The unit makes a gurgling sound

- This sound is caused by the flow of refrigerant inside the unit.
 - This is normal.

Unit stops frequently

- The exhaust hose is blocked, extended or otherwise restricted.
 - Remove the exhaust hose to see if the unit continues to operate. If yes, shorten the extension, reduce the number of bends or eliminate restriction.

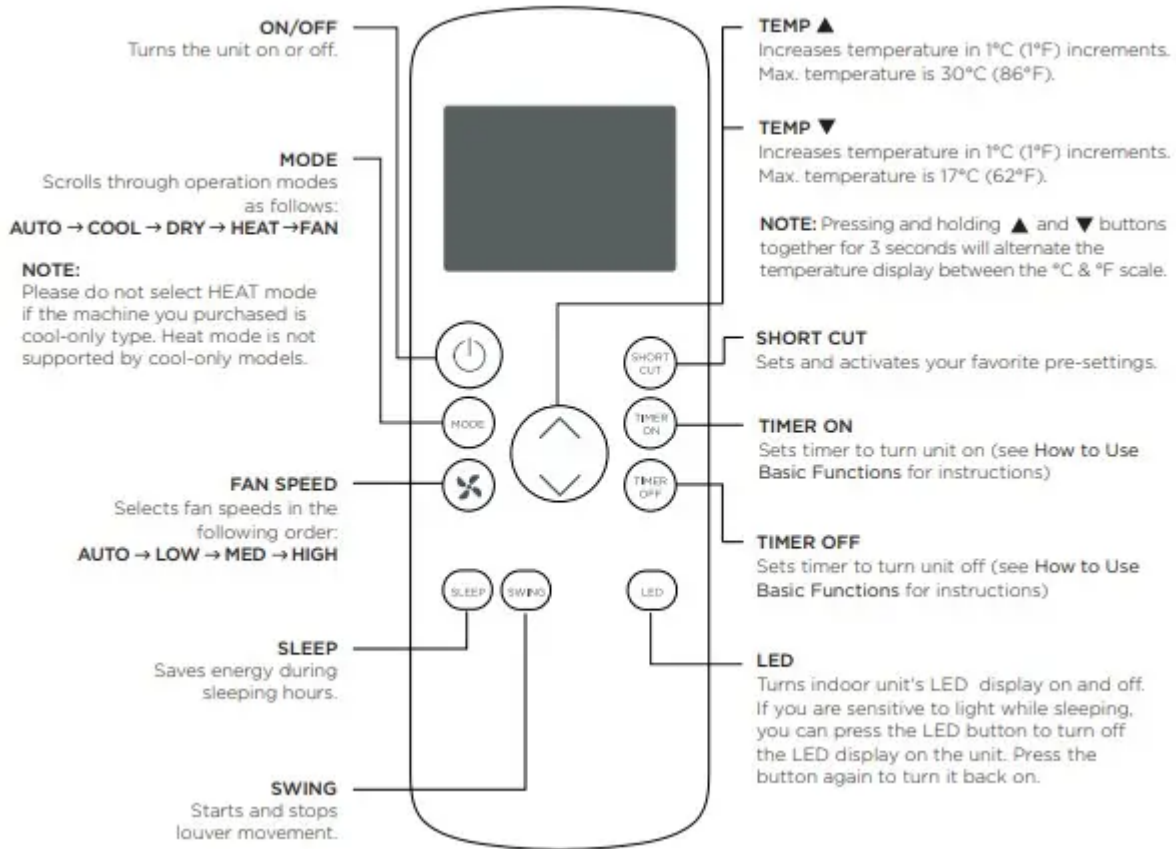
REMOTE CONTROL OPERATING INSTRUCTIONS

Remote Control Specifications

Model	RG57H(B)/BGCEU1 RG57H(B)/BGEU1
Rated voltage	3.0V (Dry batteries R03/LR03x2)
Signal receiving range	8 m (approx. 26 ft.)
Environment	-5°C ~ 60°C (23°F ~ 140°F)

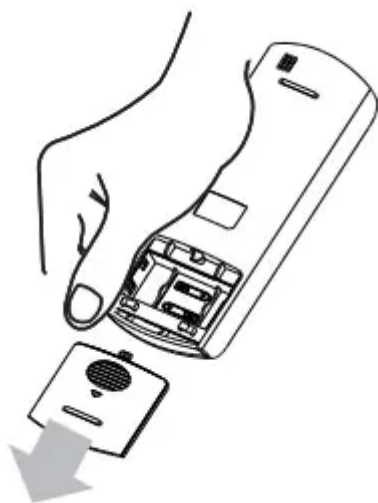
Function Buttons

Before you begin using your new air conditioner, make sure to familiarize yourself with its remote control. The following is a brief introduction to the remote control itself. For instructions on how to operate your air conditioner, refer to the Operating Instructions section of this manual.



Handling the Remote Control

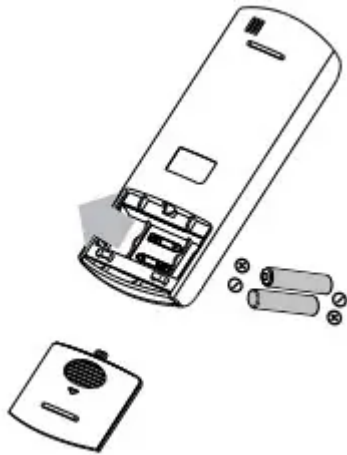
INSERTING AND REPLACING BATTERIES



Your air conditioning unit comes with two AAA batteries. Insert the batteries in the remote control before use.

1. . Slide the back cover of the remote control downward, exposing the battery compartment.
2. Insert the batteries, paying attention to align the (+) and (-) ends of the batteries with the symbols inside the battery compartment.
3. Slide the battery cover back into place.

BATTERY DISPOSAL



- Do not dispose of batteries as unsorted municipal waste. Refer to local laws for proper disposal of batteries.

TIPS FOR USING REMOTE CONTROL

- The remote control must be used within 8 meters / 26 feet of the unit.
- The unit will beep when remote signal is received.
- Curtains, other materials and direct sunlight can interfere with the infrared signal receiver.
- Remove batteries if the remote will not be used more than 2 months.

