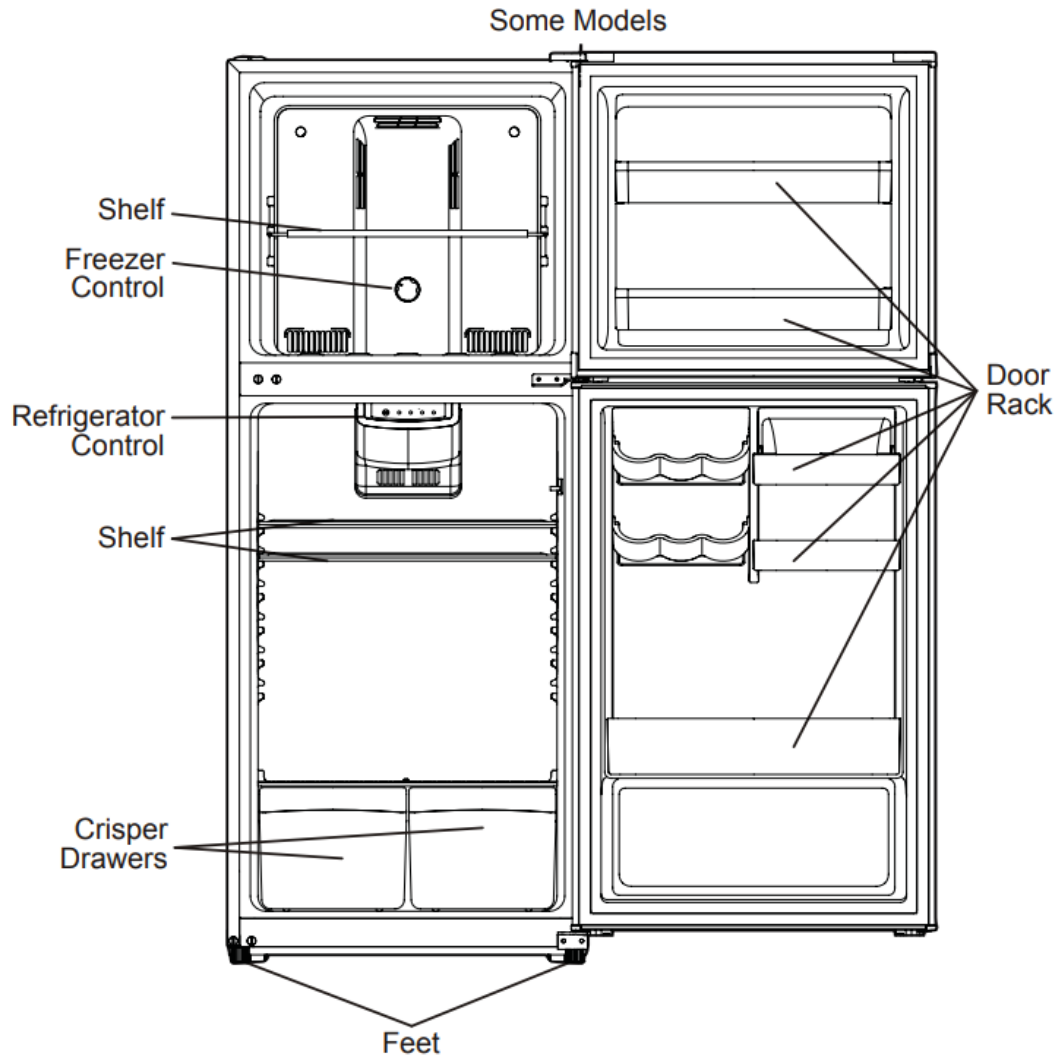


## FEATURES AT A GLANCE

Features may vary according to model



## INSTALLATION

This Use & Care Guide provides general operating instructions for your model. Use the refrigerator only as instructed in this Use & Care Guide. Before starting the refrigerator, follow these important first steps.

### Location

- Choose a place that is near a grounded electrical outlet. Do Not use an extension cord or an adapter plug.
- If possible, place the refrigerator out of direct sunlight and away from the range, dishwasher or other heat sources.

- The refrigerator must be installed on a floor that is level and strong enough to support a fully loaded refrigerator.

## Installation

### *Installation clearances*

- Allow the following clearances for ease of installation, proper air circulation, and plumbing and electrical connections:

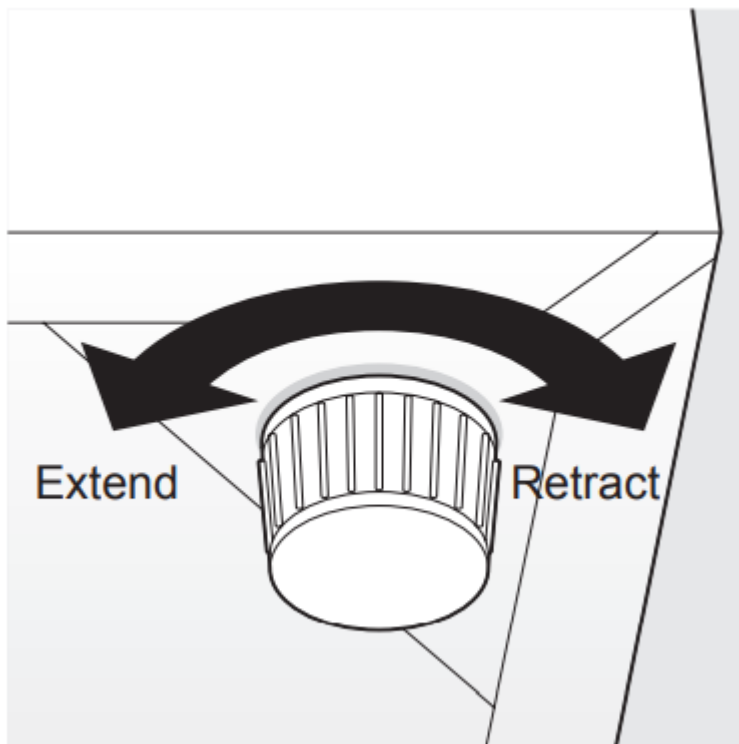
Sides & Top	3 inches
Back	4 inches

### *Guidelines for final positioning of your refrigerator:*

- All four corners of the cabinet must rest firmly on the floor.
- The cabinet should be level at the front and rear.

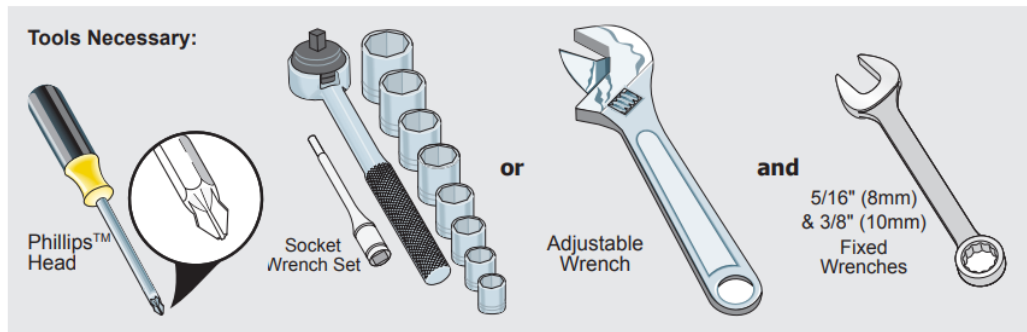
### *To level the cabinet using the front leveling feet:*

- Lower the leveling feet on each side clockwise until they contact the floor.



- Use the leveling feet (located on the front) ensure that all 4 corners of the unit are resting firmly on a solid floor. Turn the leveling feet clockwise to retract the feet and counterclockwise to extend the feet. Ensure the floor is strong enough to support a fully loaded unit.

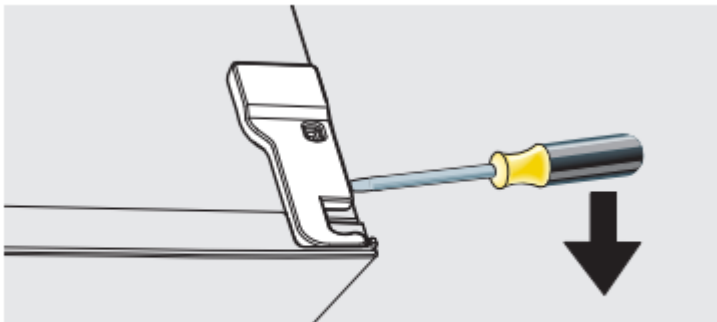
## DOOR REMOVAL/REVERSAL INSTRUCTIONS



### Door removal and reversal instructions:

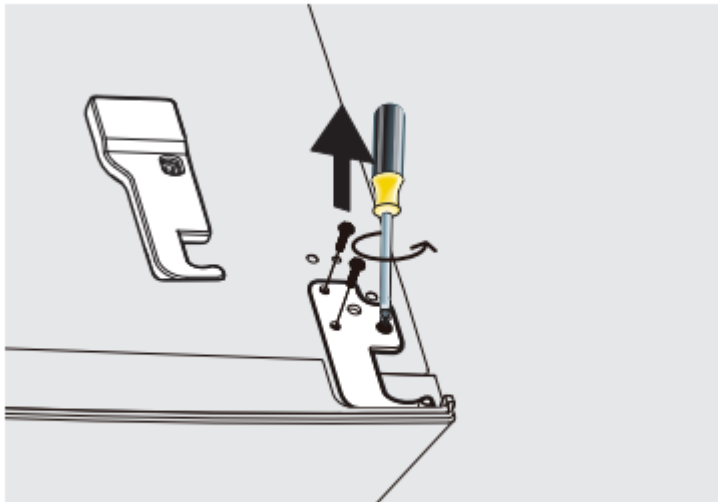
- Locate the Door Reversal Kit (parts are for the left side):
  - top hinge cover
  - bottom hinge
- Ensure the unit is unplugged and empty.
- All parts removed must be saved for reinstallation of the door.
- Do not lay the unit flat as this may damage the coolant system.
- It is better that 2 people handle the unit during assembly.

1. Remove the top right hinge cover.



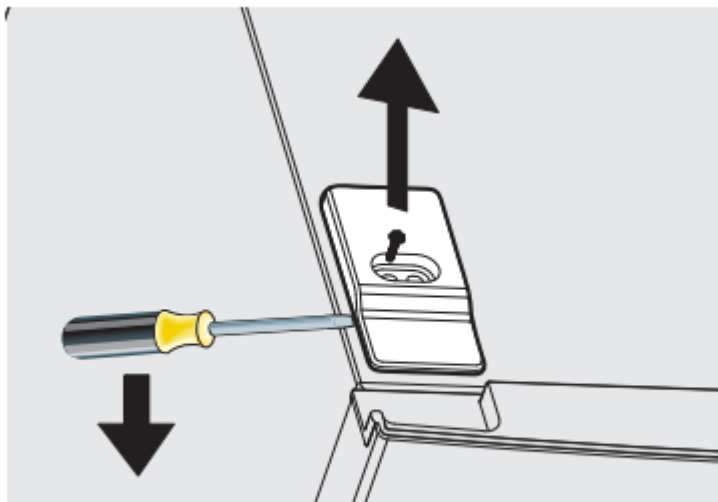
### **Remove top right hinge cover**

2. Remove screws from top right hinge and lift freezer door off. Place on a soft pad to avoid damage.



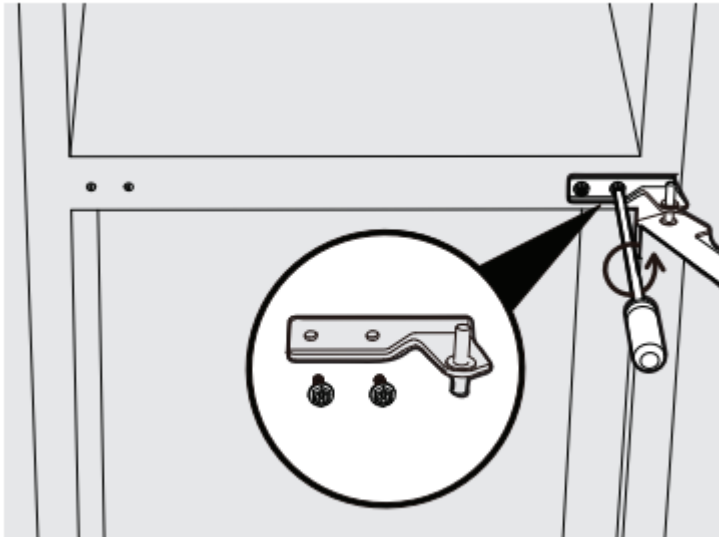
**Remove top right hinge**

3. Remove the top left screw cover



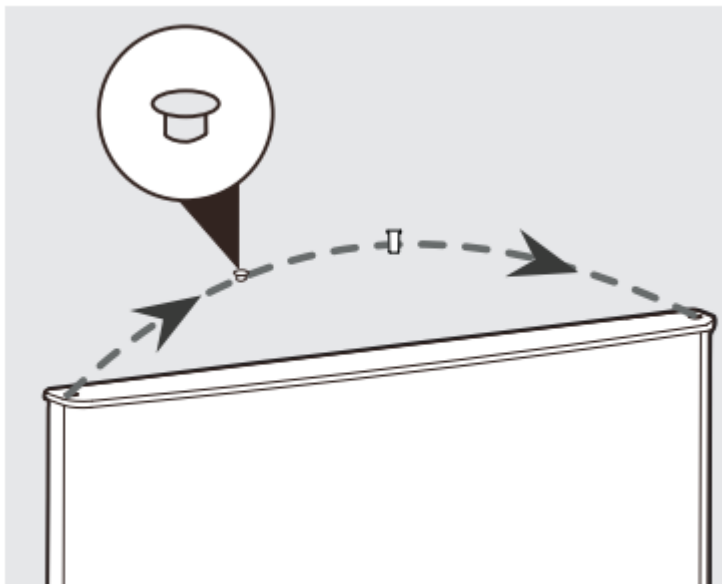
**Remove top left screw cover**

4. Hold the door in place while unscrewing the middle hinge, then lift the lower door and place it on a soft pad to avoid damage.



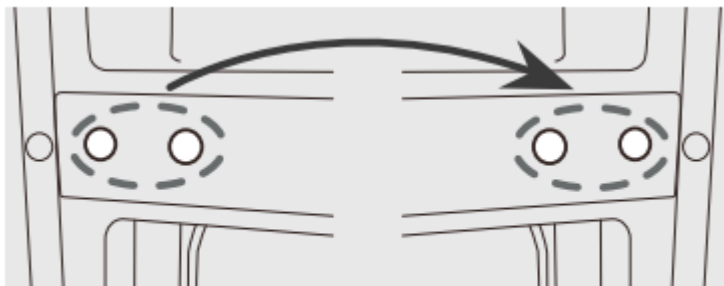
**Remove middle hinge**

5. Move pin hole plug (top of refrigerator door) from left side to right side.



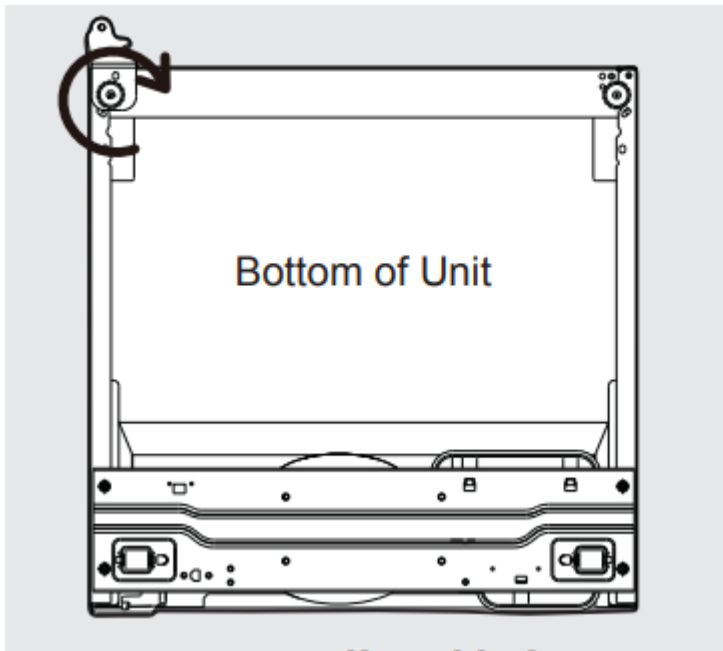
**Move plug**

6.. Move the middle hinge hole covers from left side to right side.

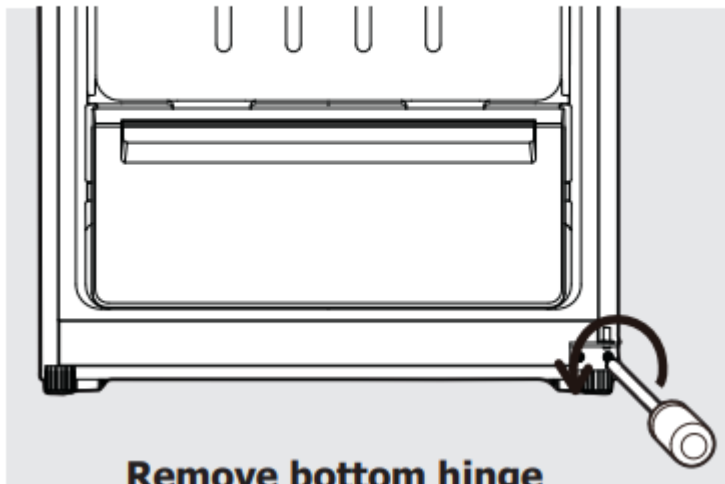


**Move middle hinge hole covers**

7.. Tilt the unit back, remove the adjustable feet from both sides then unscrew bottom hinge.



**Remove adjustable feet**



**Remove bottom hinge**

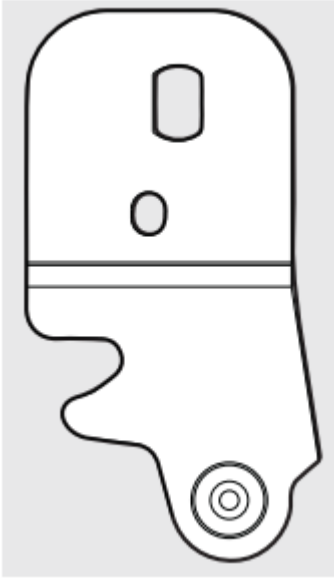
8.. Move the bottom hinge hole covers from left side to right side.



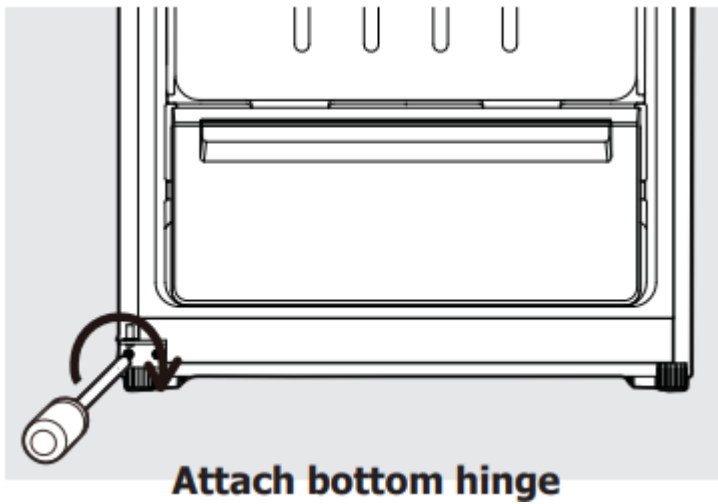
**Move bottom hinge hole covers**

9.. Locate left bottom hinge (in accessory bag).



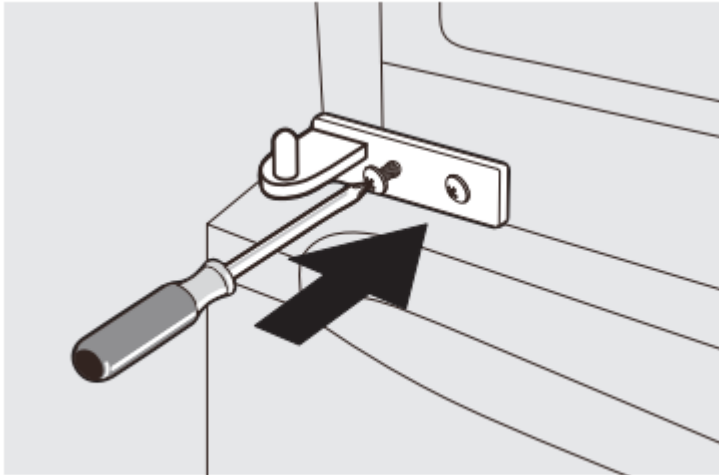


10.. Attach the left bottom hinge. Replace both adjustable feet. Stand the unit upright.



11. Place the refrigerator door on the lower hinge. Hold in place while attaching the middle hinge and then tighten screws.





### **Attach middle hinge**

12. Place the upper door on the center hinge. Ensure the door is aligned horizontally and vertically so that the seal is closed on all sides.

13. Locate the top hinge, remove the pin with a screwdriver and flip the hinge over. Refit the pin in the hinge then attach hinge to the top of the cabinet. Locate the top left hinge cover (in the accessory bag) and attach to the unit. On the right side of cabinet attach the screw cover.



### **Attach top hinge & cover**

14. Plug in electrical power cord and turn refrigerator temperature control to center position. Adjust setting as necessary.

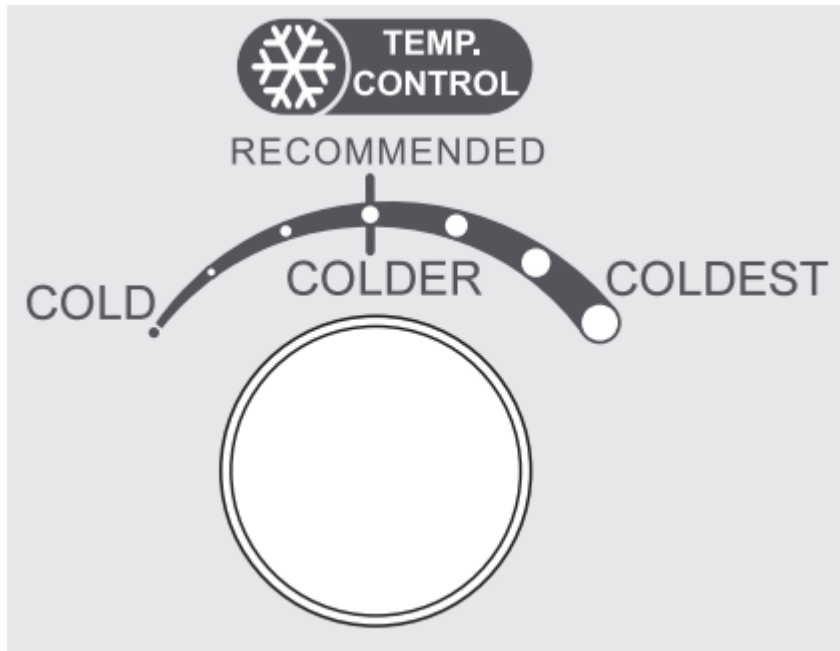
## **CONTROLS**

### **Freezer Temperature Adjustment**

The freezer control can be left at the factory pre-set (RECOMMENDED) or adjusted as desired.

- Adjust temperature gradually: adjust the knob in small increments, allowing the temperature to stabilize.

- For colder temperatures, adjust the knob towards **COLDER**.
- For warmer temperatures, adjust the knob towards **COLD**.

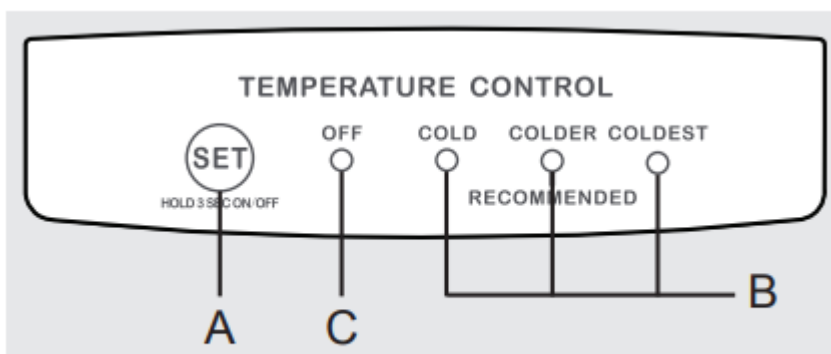


**Freezer Control**

### Refrigerator Temperature Adjustment

The refrigerator control can be left at the factory pre-set (RECOMMENDED) or adjusted as desired.

- Adjust temperature gradually allowing the temperature to stabilize.
- For colder temperatures, use the **SET** key and choose **COLDER**.
- For warmer temperatures, use the **SET** key and choose **COLD**.



**Refrigerator Control**

**A. SET** - Push the SET key to change between COLD, COLDER (RECOMMENDED), and COLDEST temperatures.

**B. COLD, COLDER (RECOMMENDED), COLDEST** - Indicates the setting of the refrigerator compartment by LED indicator lights.

**C. OFF** - To turn the power off, press and hold the SET key for 3 seconds. The OFF indicator light will be on.

To turn the power on, press and hold the **SET** key for 3 seconds. The power will turn on and the power indicator light on the control panel will turn off.

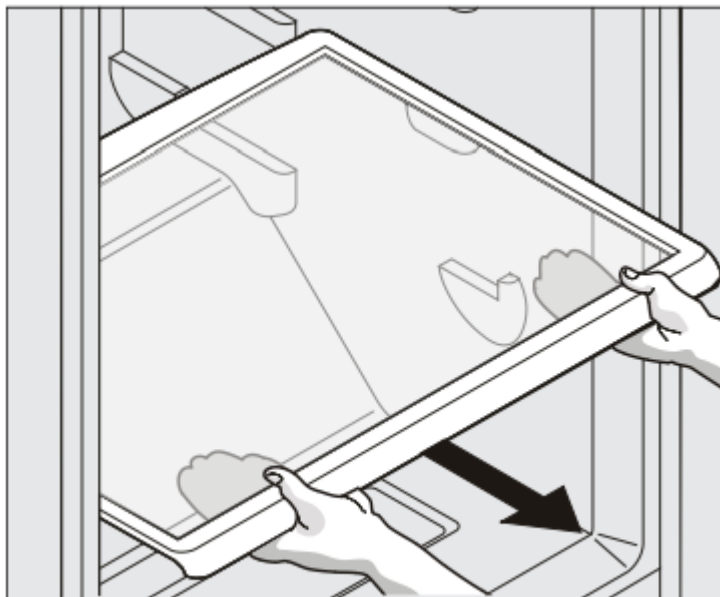
## OPTIONAL FEATURES

### Shelf Adjustment

Refrigerator shelves are easily adjusted to suit individual needs. Before adjusting the shelves, remove all food.

#### *To adjust shelves:*

1. Remove shelf by raising the back of the shelf out of side rail, then continue to remove shelf by pulling forward.
2. To replace shelf, rest side edges on any pair of shelf rails and carefully push shelf back into position and engage in the side rail stop.



**Glass Shelf**

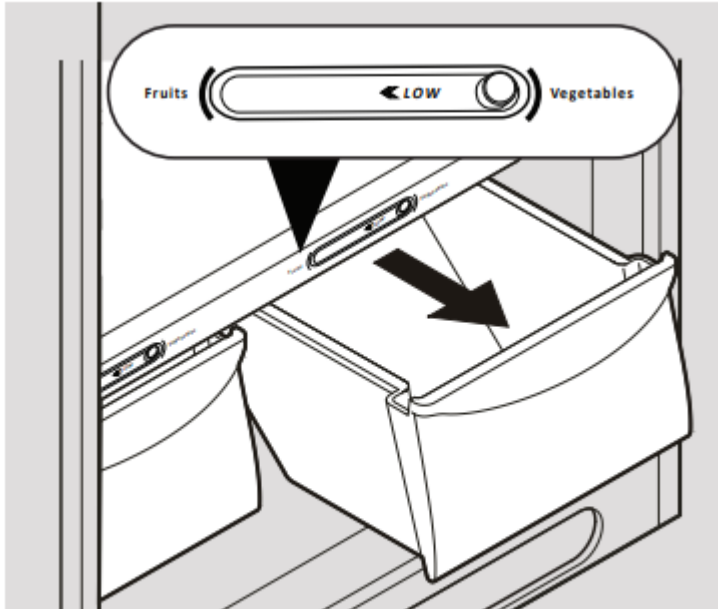
### Door storage

Door bins, shelves, and racks are provided for convenient storage of jars, bottles, and cans. Frequently used items can be quickly selected.

The dairy compartment, which is warmer than the general food storage section, is intended for short term storage of cheese, spreads, or butter.

## Crisper Humidity Controls

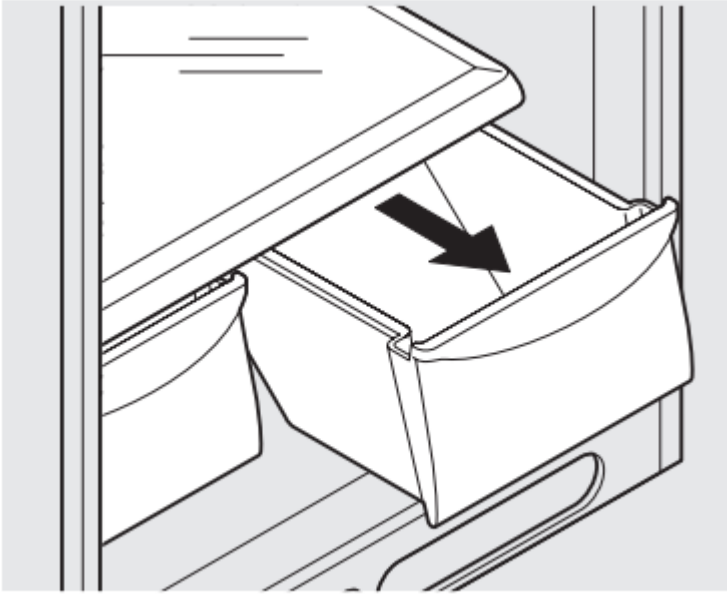
The crisper humidity controls, present on the crisper drawers of some models, allows you to adjust the humidity within the crisper. This can extend the life of fresh vegetables that keep best in high humidity.



## Crisper Humidity Controls

### Crispers

The crispers, located under the bottom refrigerator shelf, are designed for storing fruits, vegetables, and other fresh produce. Wash items in clear water and remove excess water before placing them in the crispers. Items with strong odors or high moisture content should be wrapped before storing.



**Crispers**



## CARE & CLEANING

<b>Care &amp; Cleaning Tips</b>		
<b>Part</b>	<b>What To Use</b>	<b>Tips and Precautions</b>
Interior & Door Liners	<ul style="list-style-type: none"> <li>• Soap and water</li> <li>• Baking soda and water</li> </ul>	Use 2 tablespoons of baking soda in 1 quart of warm water. Be sure to wring excess water out of sponge or cloth before cleaning around controls, light bulb or any electrical part.
Door Gaskets	<ul style="list-style-type: none"> <li>• Soap and water</li> </ul>	Wipe gaskets with a clean soft cloth.
Drawers & Bins	<ul style="list-style-type: none"> <li>• Soap and water</li> </ul>	Use a soft cloth to clean drawer runners and tracks.
Glass Shelves	<ul style="list-style-type: none"> <li>• Soap and water</li> <li>• Glass cleaner</li> <li>• Mild liquid sprays</li> </ul>	Allow glass to warm to room temperature before immersing in warm water.
Exterior	<ul style="list-style-type: none"> <li>• Soap and water</li> <li>• Non Abrasive Glass Cleaner</li> </ul>	Do not use commercial household cleaners containing ammonia, bleach or alcohol to clean. Use a soft cloth to clean. DO NOT use a dry cloth to clean smooth doors
Exterior (Stainless Steel Models Only)	<ul style="list-style-type: none"> <li>• Soap and water</li> <li>• Stainless Steel Cleaners</li> </ul>	<p>Never use CHLORIDE or cleaners with bleach to clean stainless steel.</p> <p>Clean stainless steel front with non-abrasive soapy water and a dishcloth. Rinse with clean water and a soft cloth. Use a non-abrasive stainless steel cleaner. These cleaners can be purchased at most home improvement or major department stores. Always follow manufacturer's instructions. Do not use household cleaners containing ammonia or bleach.</p>

NOTE: Always clean, wipe and dry with the grain to prevent scratching. Wash the rest of the cabinet with warm water and mild liquid detergent. Rinse well, and wipe dry with a clean soft cloth.



## BEFORE YOU CALL

<p><b>Common Occurrences</b></p>	<p>Before calling for service, review this list. It may save you time and expense. This list includes common occurrences that are not the result of defective workmanship or materials in this appliance.</p>
<p>Refrigerator does not run.</p>	<ul style="list-style-type: none"> <li>• Ensure plug is tightly pushed into electrical outlet.</li> <li>• Check/replace fuse with a 15 amp time-delay fuse. Reset circuit breaker.</li> <li>• The refrigerator/freezer control is turned to “0” (Mechanical controls) or “OFF” (Electronic controls).</li> <li>• Refrigerator may be in defrost cycle. Wait 20 minutes and check again.</li> </ul>
<p>Freezer temperature is colder than preferred. Refrigerator temperature is satisfactory.</p>	<ul style="list-style-type: none"> <li>• Set freezer control to a warmer setting until freezer temperature is satisfactory. Allow 24 hours for the temperature to stabilize.</li> </ul>
<p>Refrigerator temperature is too cold. Freezer temperature is satisfactory.</p>	<ul style="list-style-type: none"> <li>• Set refrigerator/freezer control to a warmer setting. Allow 24 hours for temperature to stabilize. Then check freezer temperatures and adjust as needed.</li> </ul>
<p>Freezer temperature is warmer than preferred. Refrigerator temperature is satisfactory.</p>	<ul style="list-style-type: none"> <li>• Set freezer control to a colder setting until freezer temperature is satisfactory. Allow 24 hours for the temperature to stabilize.</li> </ul>
<p>Refrigerator temperature is too warm. Freezer temperature is satisfactory.</p>	<ul style="list-style-type: none"> <li>• Set refrigerator/freezer control to a colder setting. Allow 24 hours for temperature to stabilize. Then check refrigerator temperatures and adjust as needed.</li> </ul>
<p>Refrigerator is noisy or vibrates.</p>	<ul style="list-style-type: none"> <li>• The cabinet is not level.</li> <li>• Floor is weak.</li> <li>• See Normal Operating Sounds and Sights section.</li> </ul>
<p>Odors in refrigerator.</p>	<ul style="list-style-type: none"> <li>• Interior needs to be cleaned.</li> <li>• Foods that produce odors should be covered or wrapped.</li> </ul>



Cabinet light not working.

- Replace light bulb.
- Ensure plug is tightly pushed into electrical outlet.
- Light switch may be stuck. Push in light switch, located on the refrigerator control box, to release.

**Warning**

This content is compiled from multiple sources and is provided for reference purposes only. It may not be complete or fully applicable to all situations. If you are unable to resolve your issue, please contact the product manufacturer or an authorized service provider for official support.

