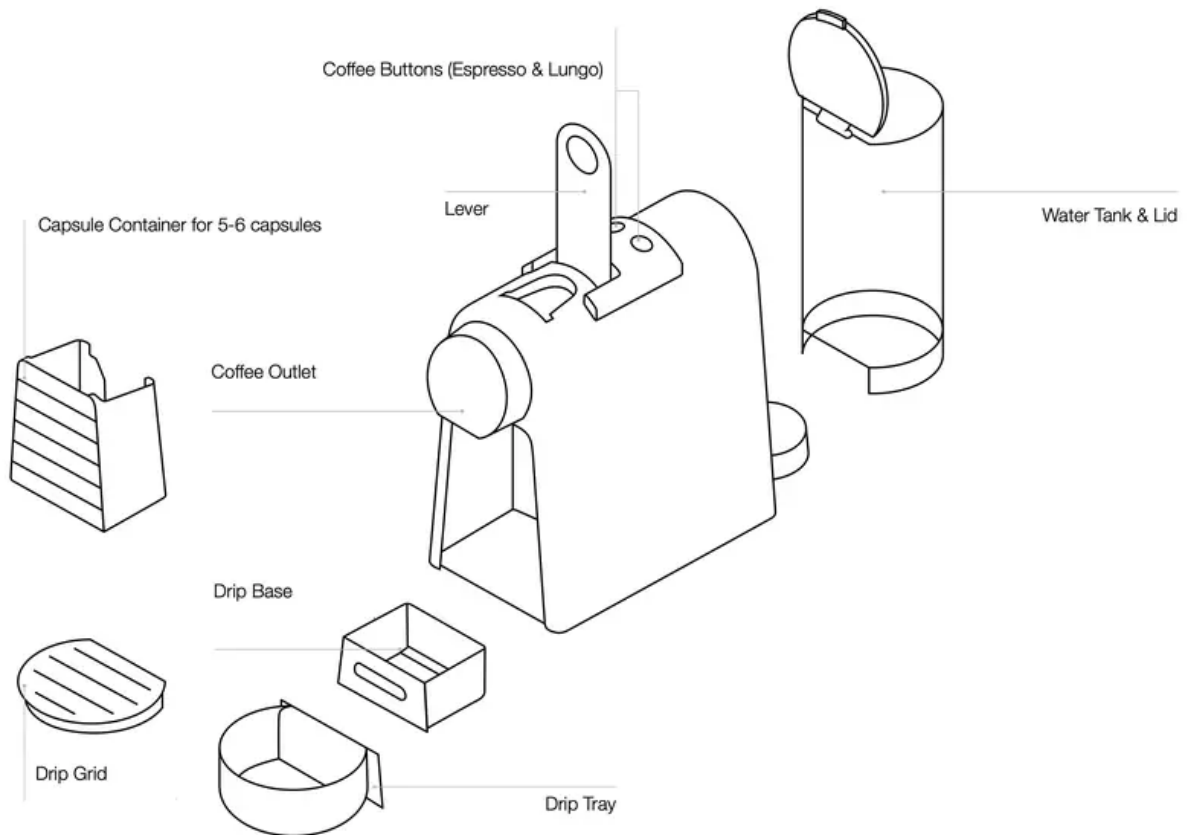


Machine Overview



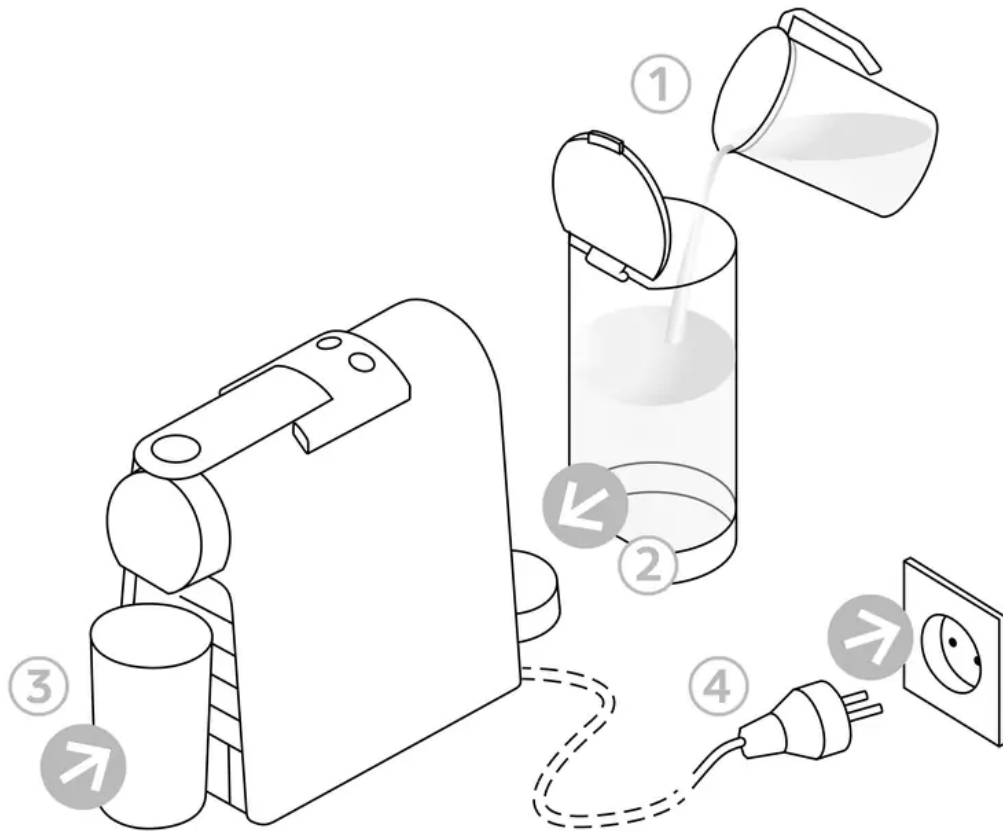
First use or after a long period of non-use

Caution: First, read the safety precautions to avoid risks of fatal electrical shocks and fire.

Important: Factory settings: Espresso cup: 40 ml, Lungo cup: 110 ml; Auto Off mode: 9 mins.

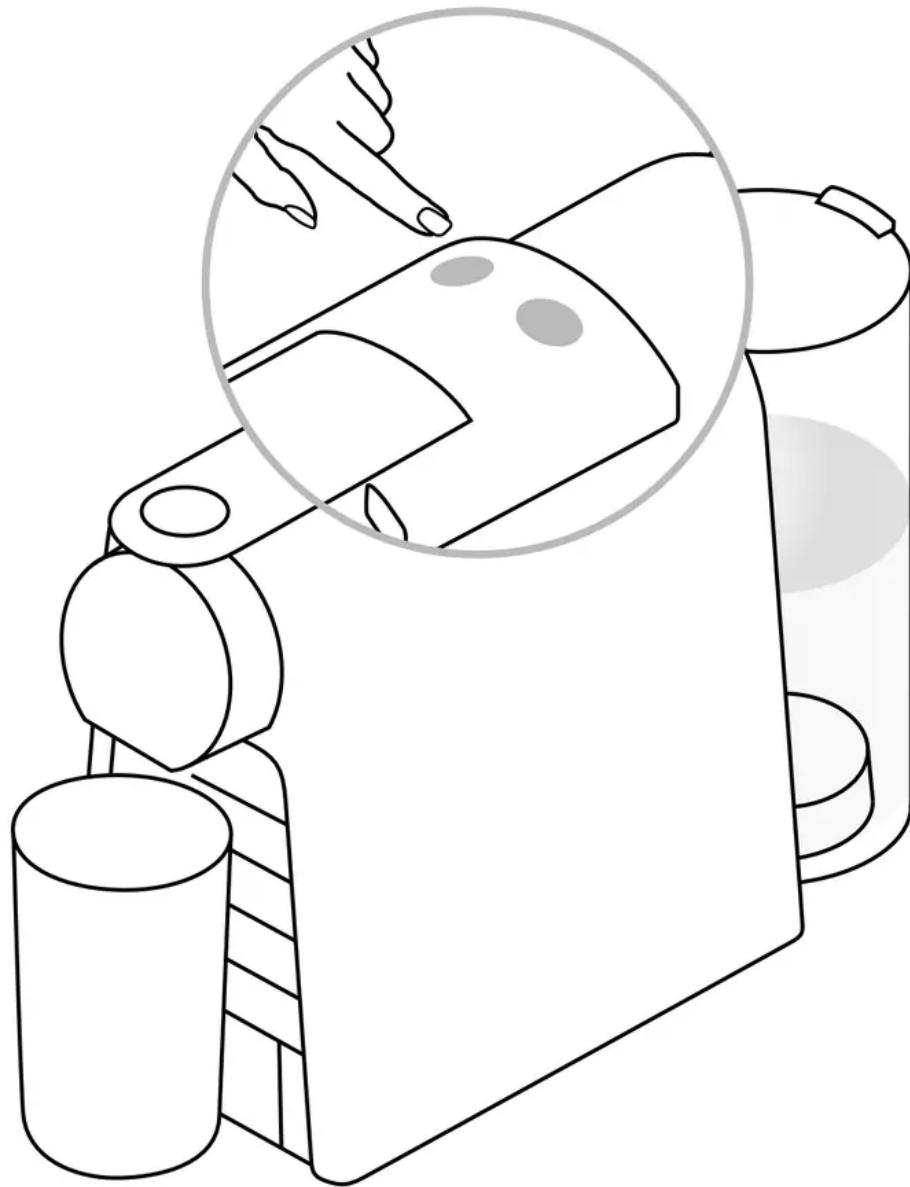
1. **Rinse the water tank** before filling with potable water.
Place a container (min. 1 L) under coffee outlet.

Plug into power outlet.



2. **To turn the machine ON**, press either the Espresso or Lungo button.
Blinking Lights: heating up (25 seconds)

Steady Lights: ready

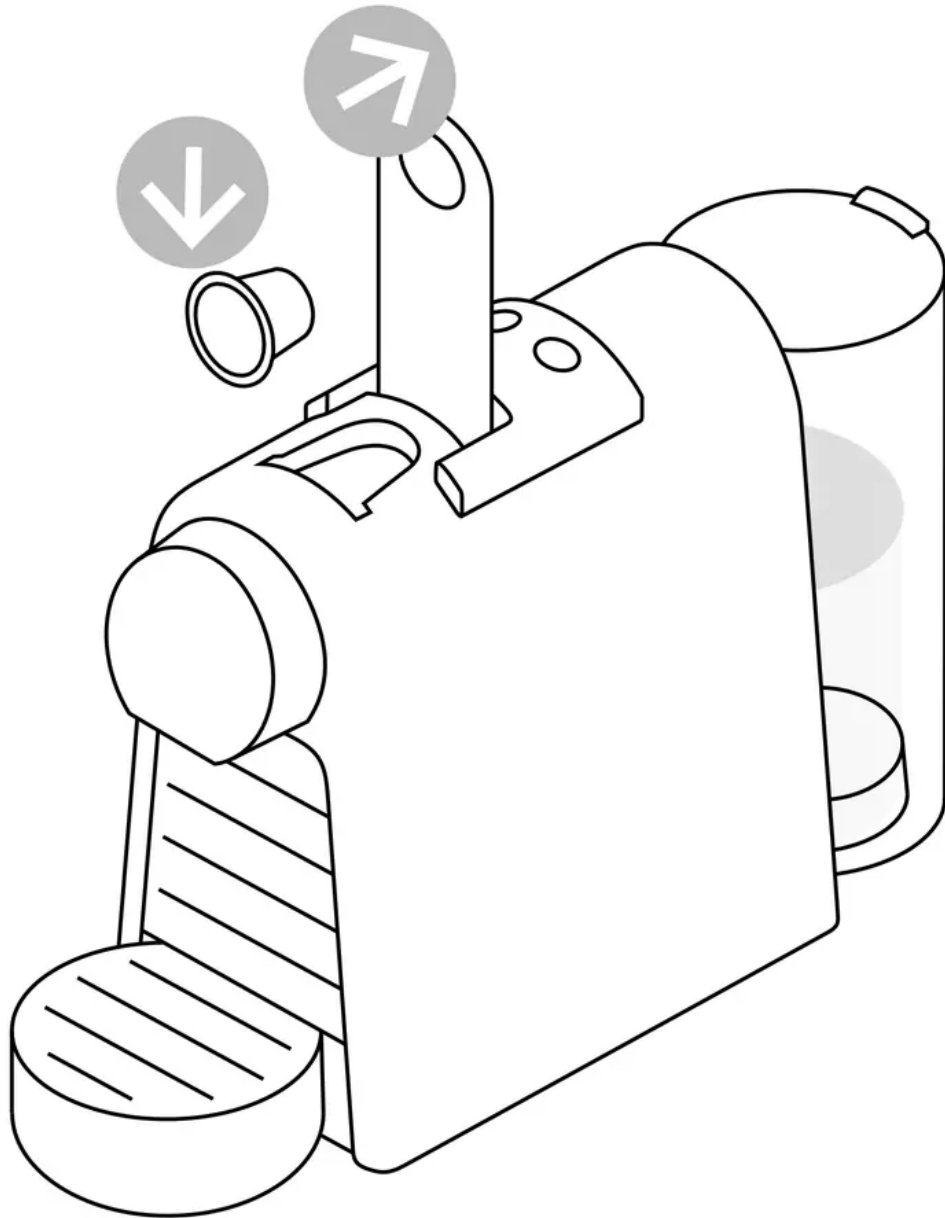


3. **Press the Lungo button** to rinse the machine. Repeat 3 times.
4. **To turn the machine off** before automatic Auto Off mode, press both the Espresso and Lungo buttons simultaneously.

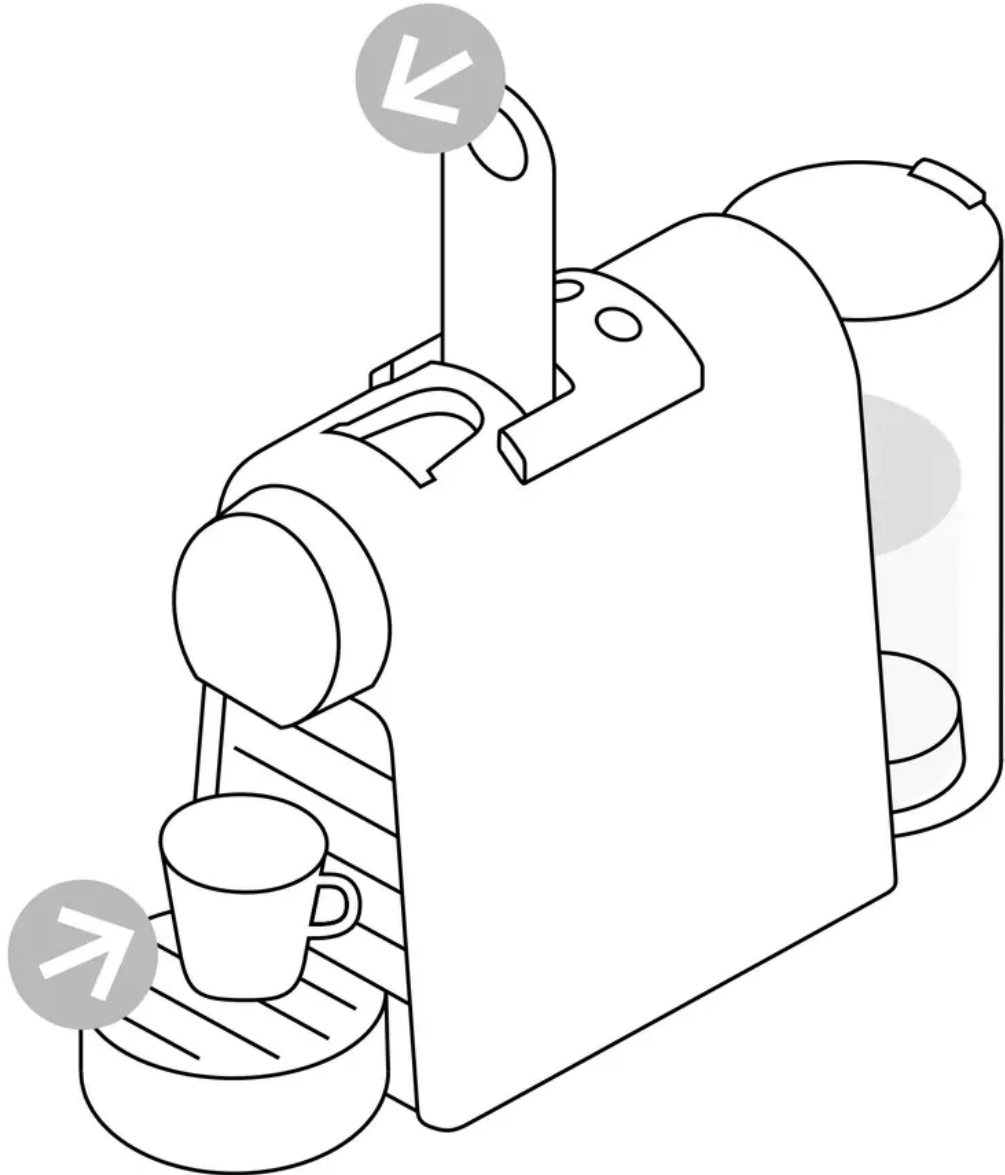
Coffee Preparation

1. **To turn the machine ON**, press either the Espresso or Lungo button.
Blinking Lights: heating up (25 seconds)
Steady Lights: ready

2. **Lift the lever** completely and insert the capsule.



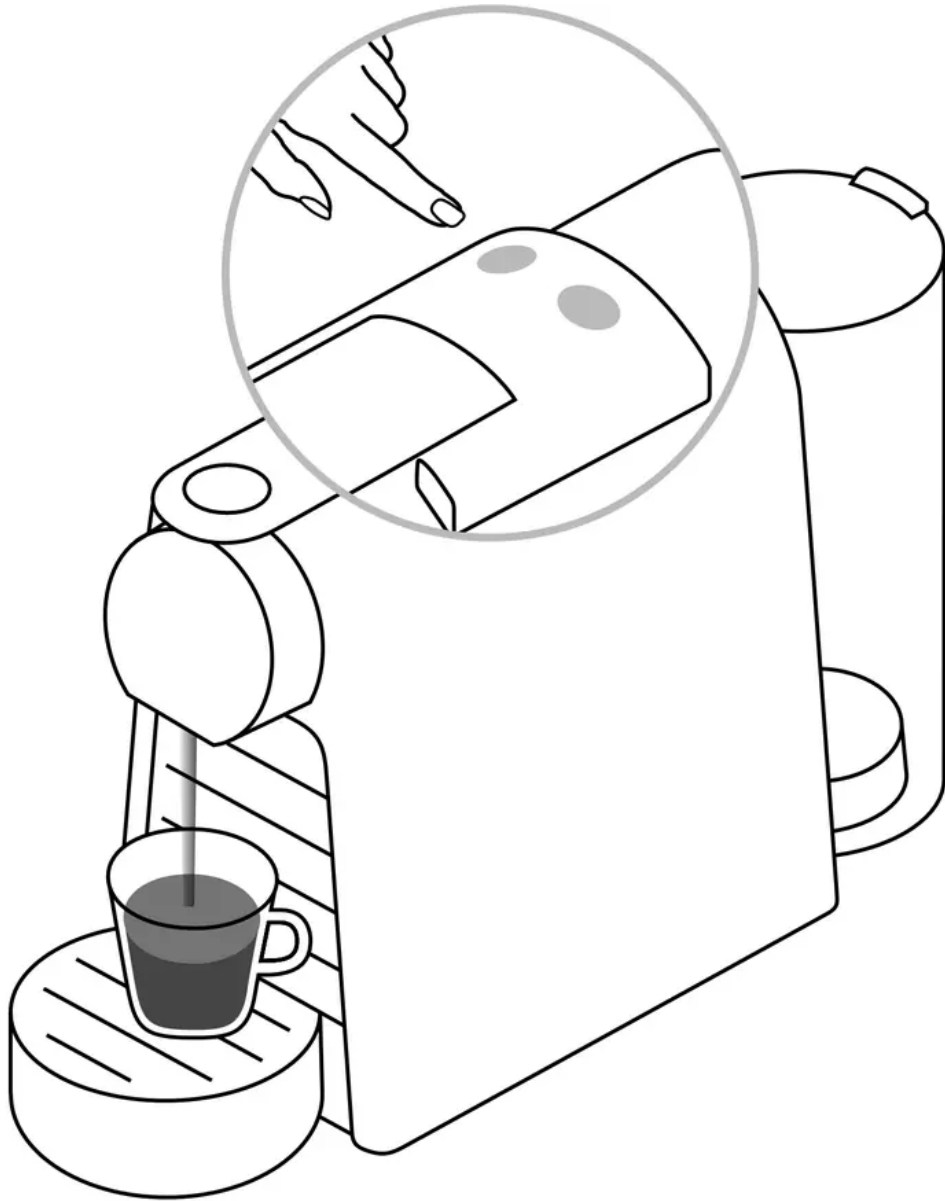
3. **Close the lever** and place a cup under the coffee outlet.



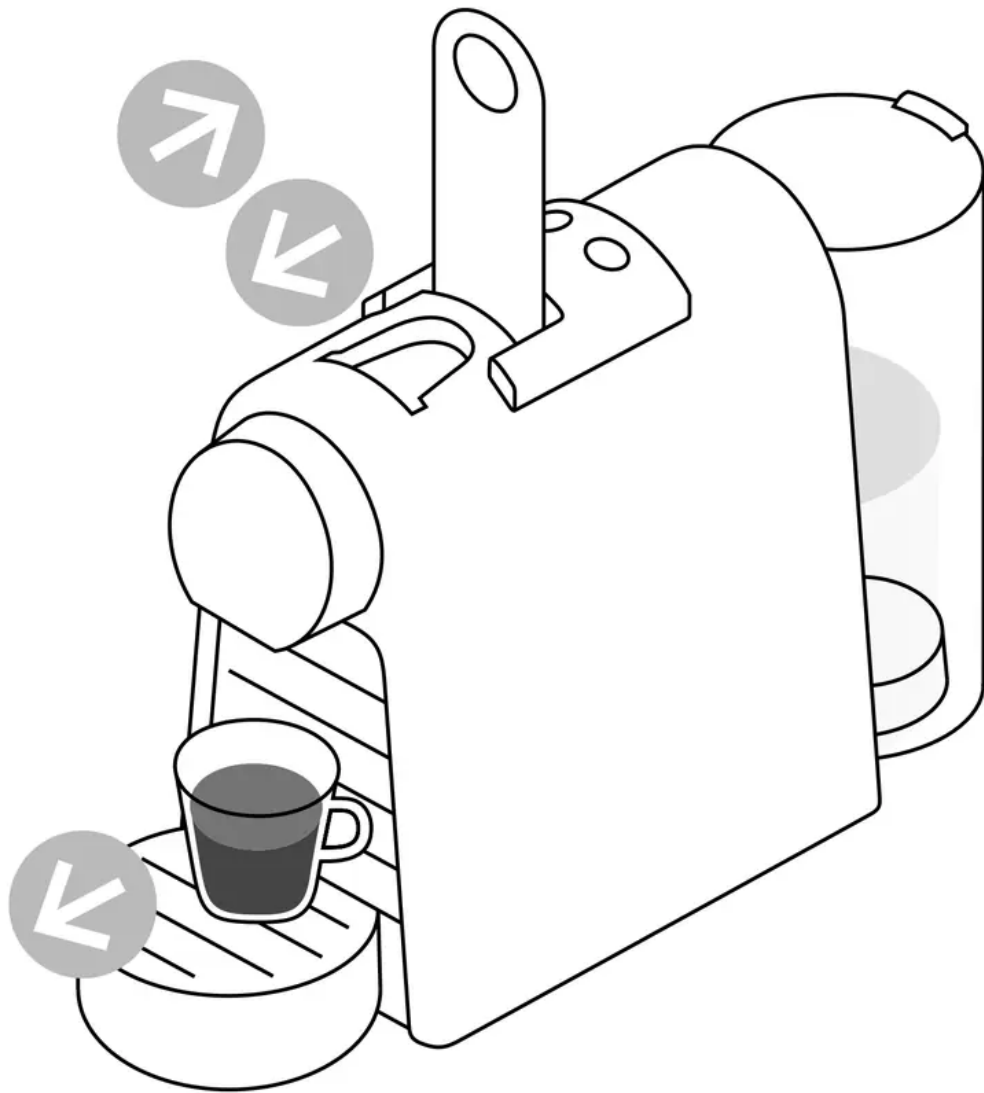
4. **Press the Espresso** (40 ml) or the Lungo (110 ml) button to start.

Preparation will stop automatically. To stop the coffee flow or top up your coffee, press

again.



5. **Remove the cup.** Lift and close the lever to eject the capsule into the used capsule container.

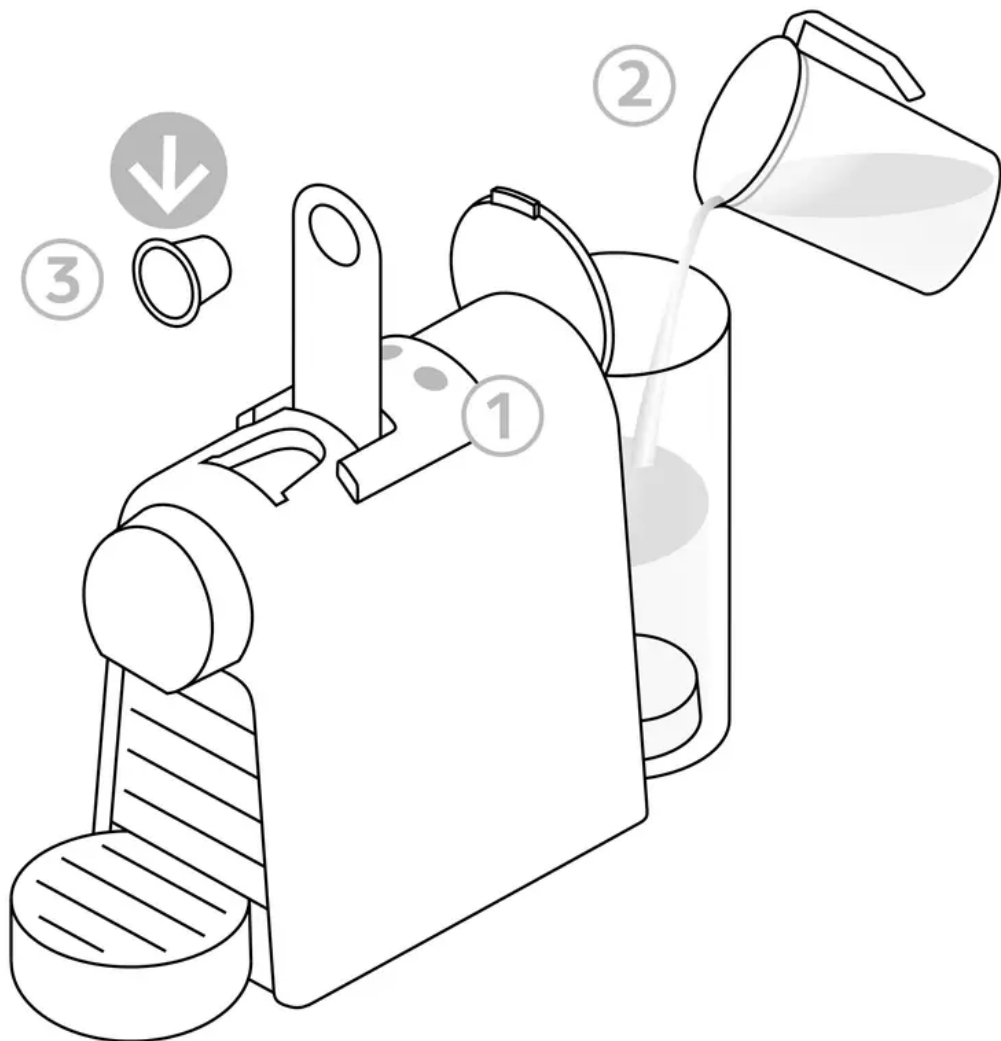


Caution: Never lift the lever during operation and refer to the important safeguards to avoid possible harm when operating the appliance.

Important: During heat up, you can press either coffee button while blinking. The coffee will then flow automatically when the machine is ready.

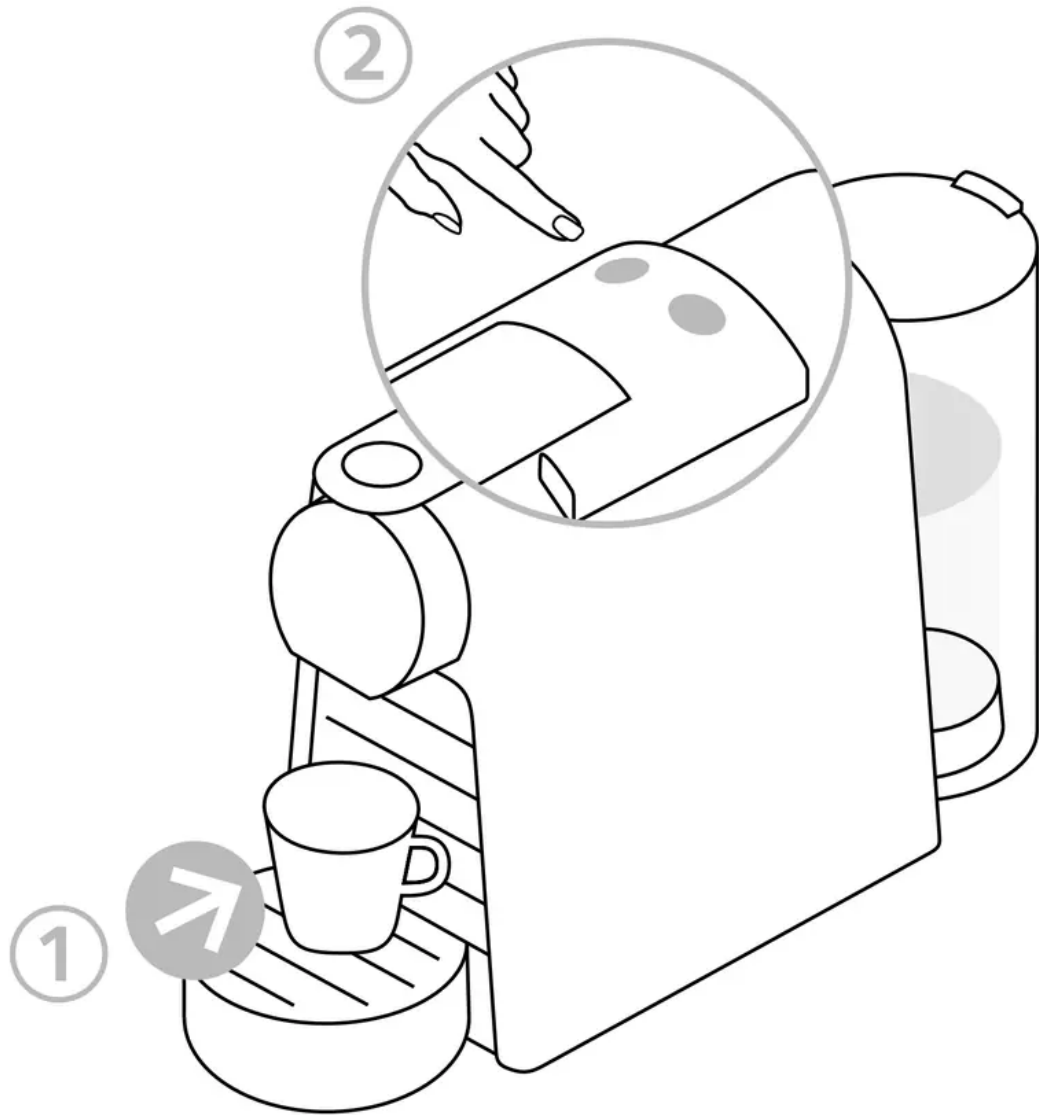
Programming the Water Volume

1. **Turn the machine on** and wait for it to be in ready mode (steady lights).
Fill the water tank with fresh potable water and insert the capsule.



2. **Place a cup** under the coffee outlet.
Press and hold the Espresso or Lungo button.
Release button once the desired volume is served.
LED will blink fast 3 times to confirm new setting.

Water volume level is now stored.



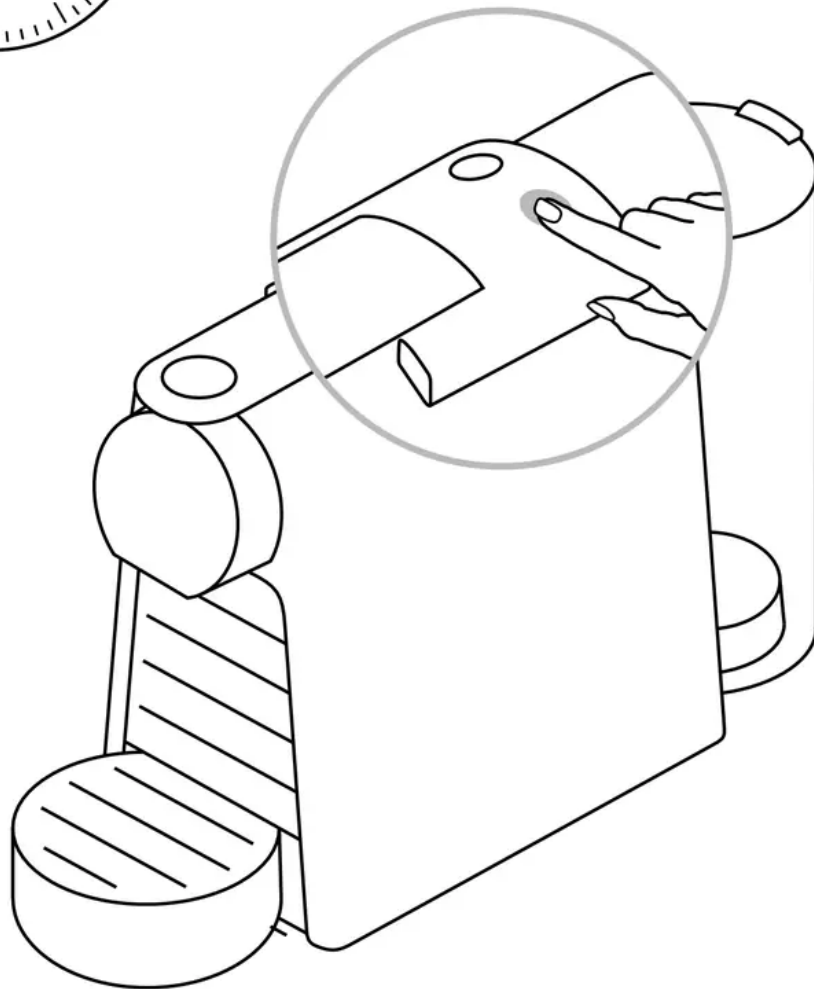
Reset to Factory Settings

Important: Factory settings: Espresso cup: 40 ml, Lungo cup: 110 ml; Auto Off mode: 9 minutes.

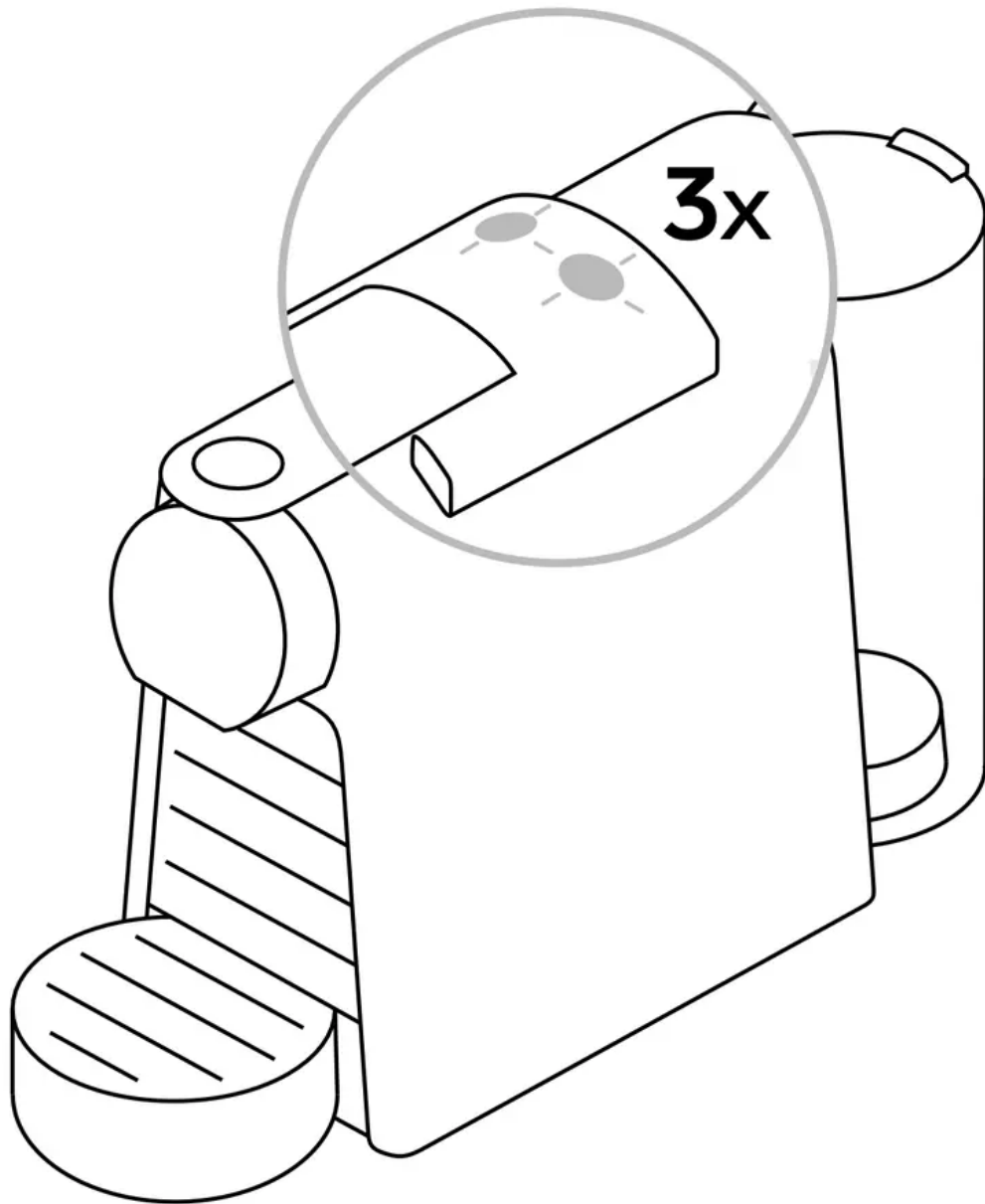
1. **With machine turned off**, press and hold down the Lungo button for 5 seconds.



> 5 sec

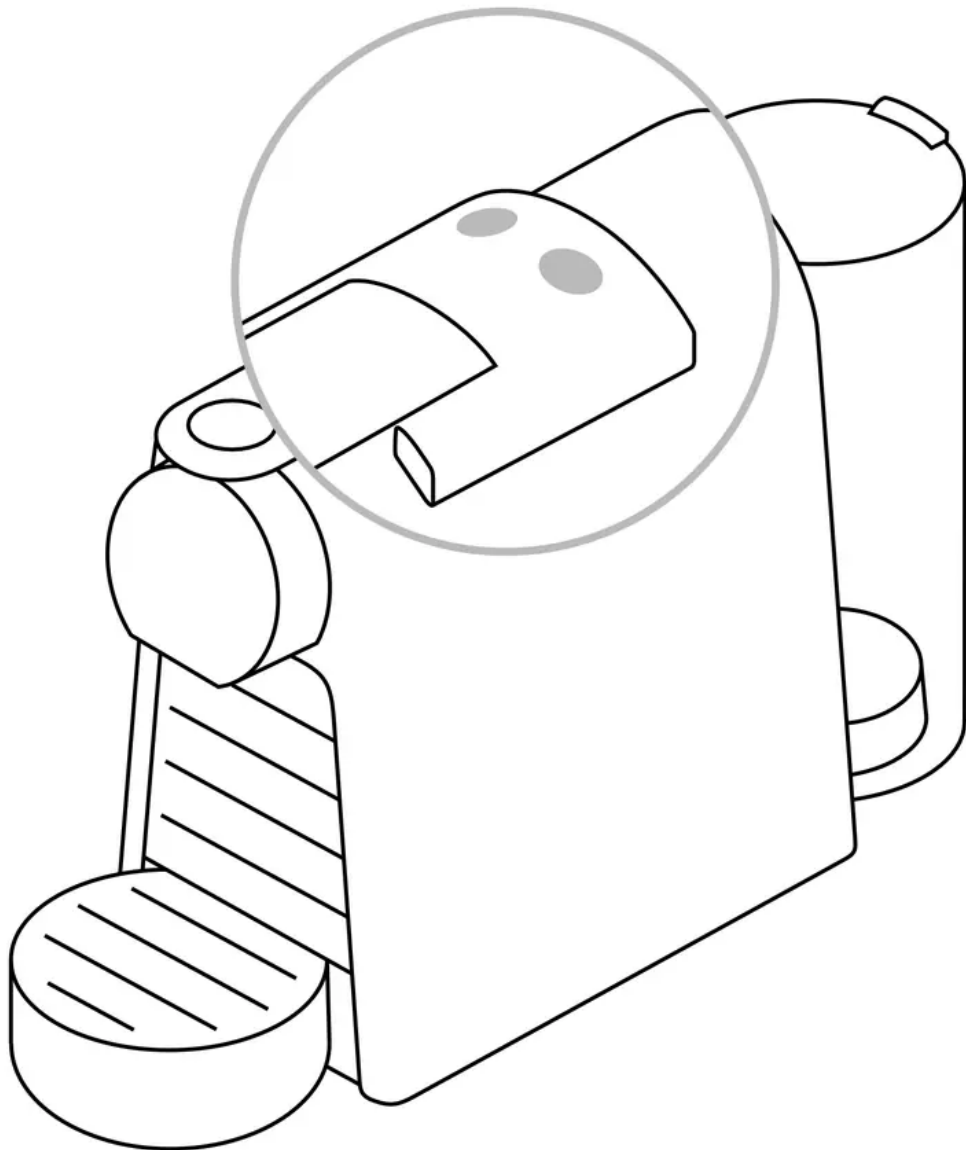


2. **LEDS will blink** fast 3 times to confirm machine has been reset to factory settings.



3. **LEDs will then continue** to blink normally, as heating up, until ready.

Steady Lights: ready

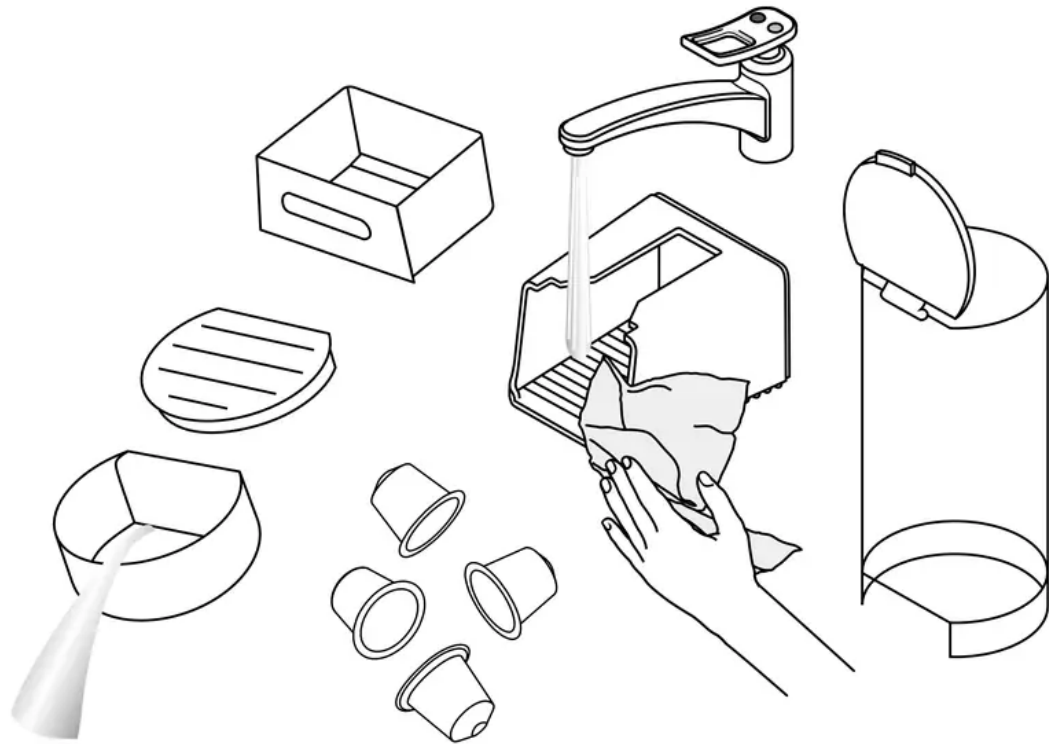


Cleaning

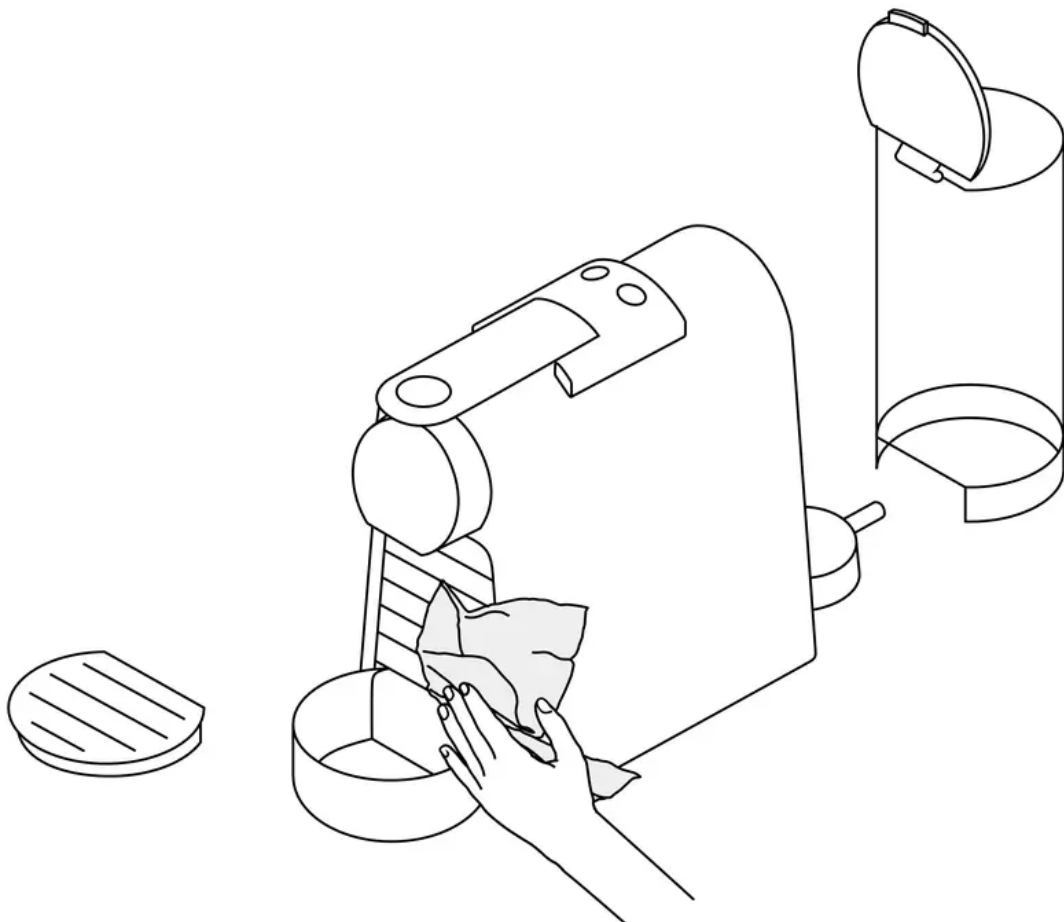
Warning - Risk of fatal electrical shock and fire. Never immerse the appliance or part of it in water. / Be sure to unplug the machine before cleaning. / Do not use any strong cleaning agent or solvent cleaner. / Do not use sharp objects, brushes or sharp abrasives. / Do not place in a dishwasher.

1. **Empty the drip tray**, the drip base and the capsule container every day. Also remove the water tank with its lid and clean them all with odorless detergent and rinse with warm /

hot water.



2. **Dry with a fresh and clean towel**, cloth or paper and reassemble all parts. Clean the coffee outlet and inside the machine regularly with a damp cloth.

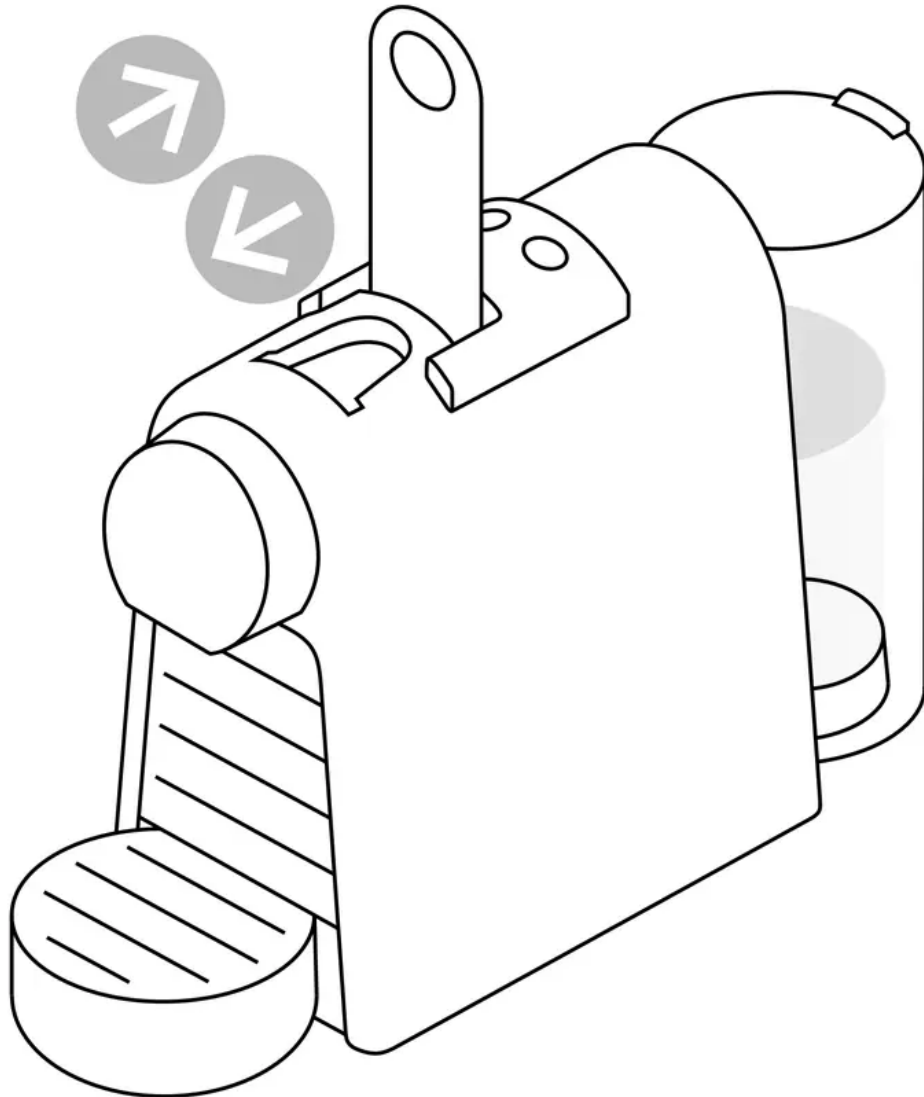


Descaling

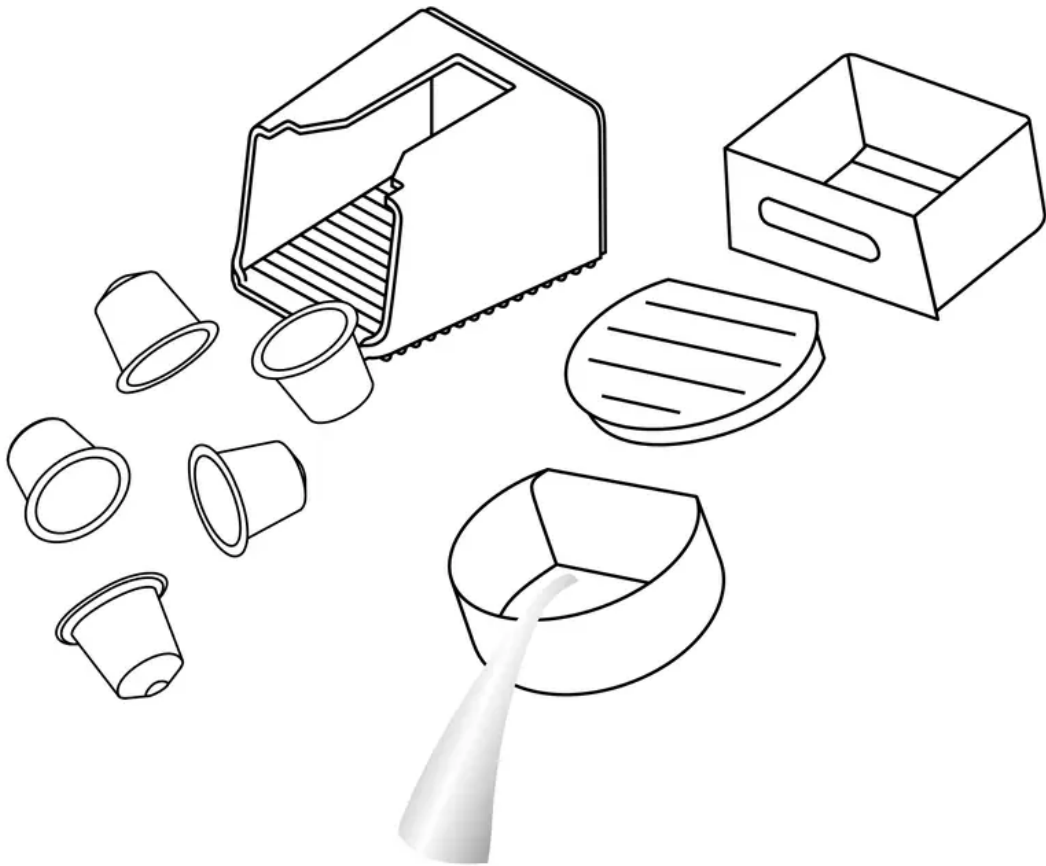
Warning: The descaling solution can be harmful. Avoid contact with eyes, skin and surfaces. The following table will indicate the descaling frequency required for the optimum performance of your machine, based on water hardness. For any additional questions you may have regarding descaling, please contact your Nespresso Club.

Important: Duration approximately 15 minutes.

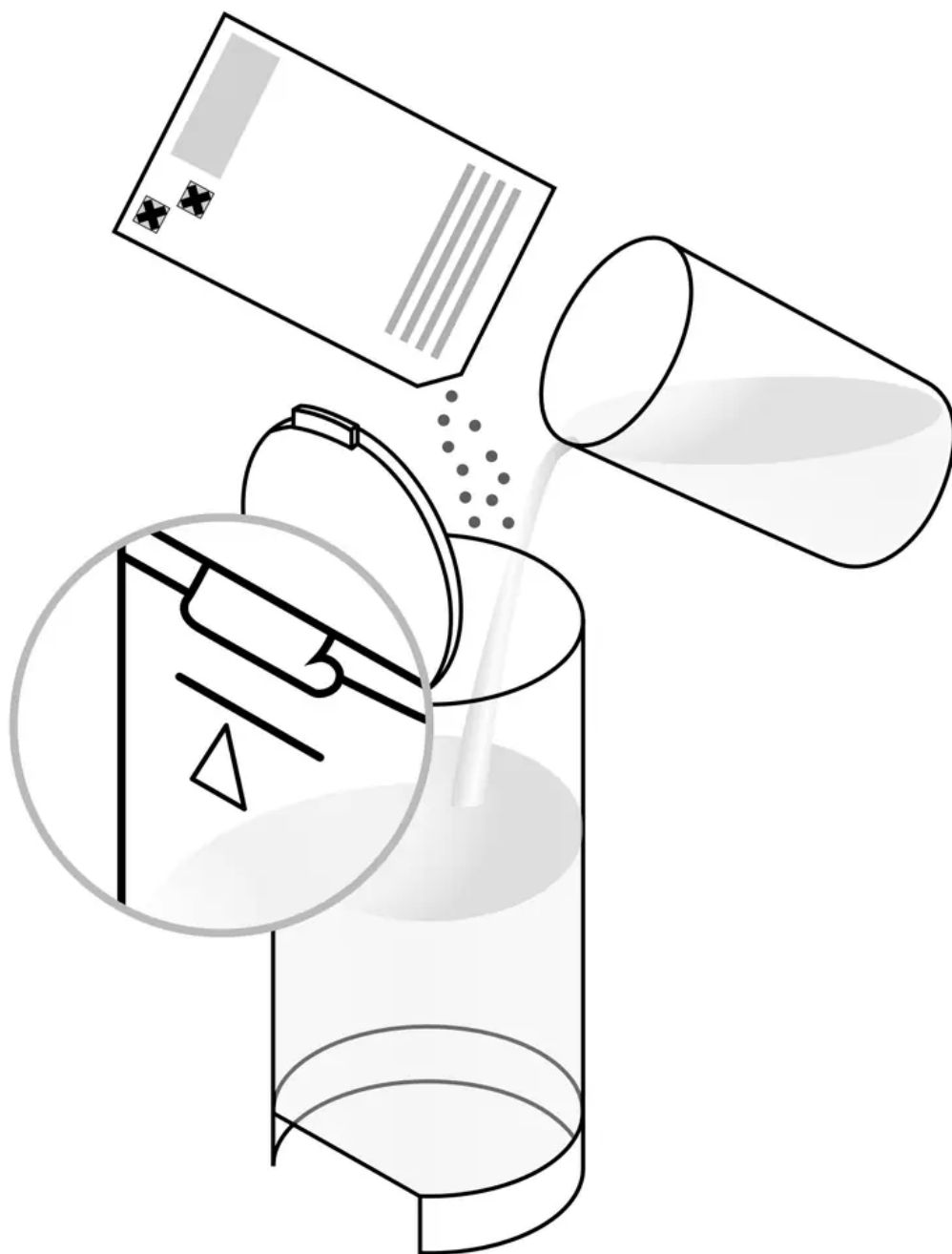
1. **Lift and close** the lever to eject the capsule into the used capsule container.



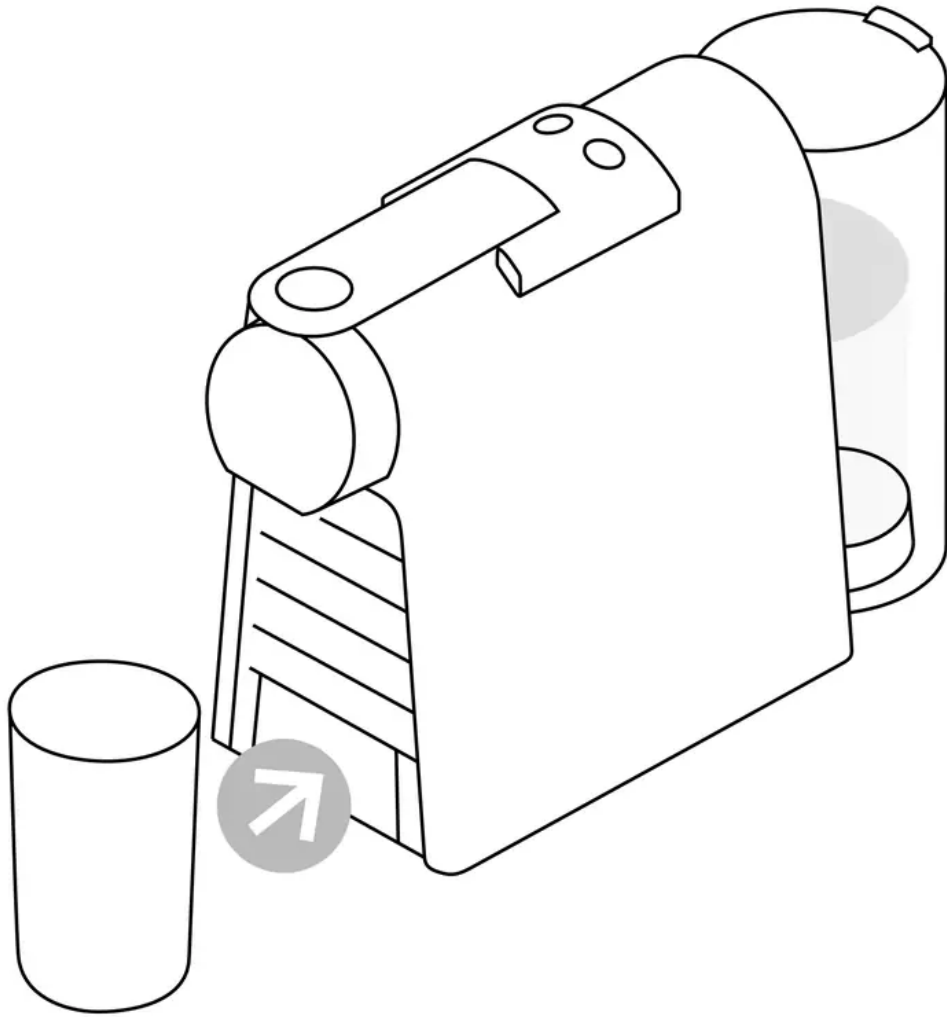
2. **Empty the drip tray, drip base and used capsule container.**



3. **Pour 1 Nespresso descaling** liquid sachet into the water tank. Fill the water tank up to the 0.6 L line with potable water.



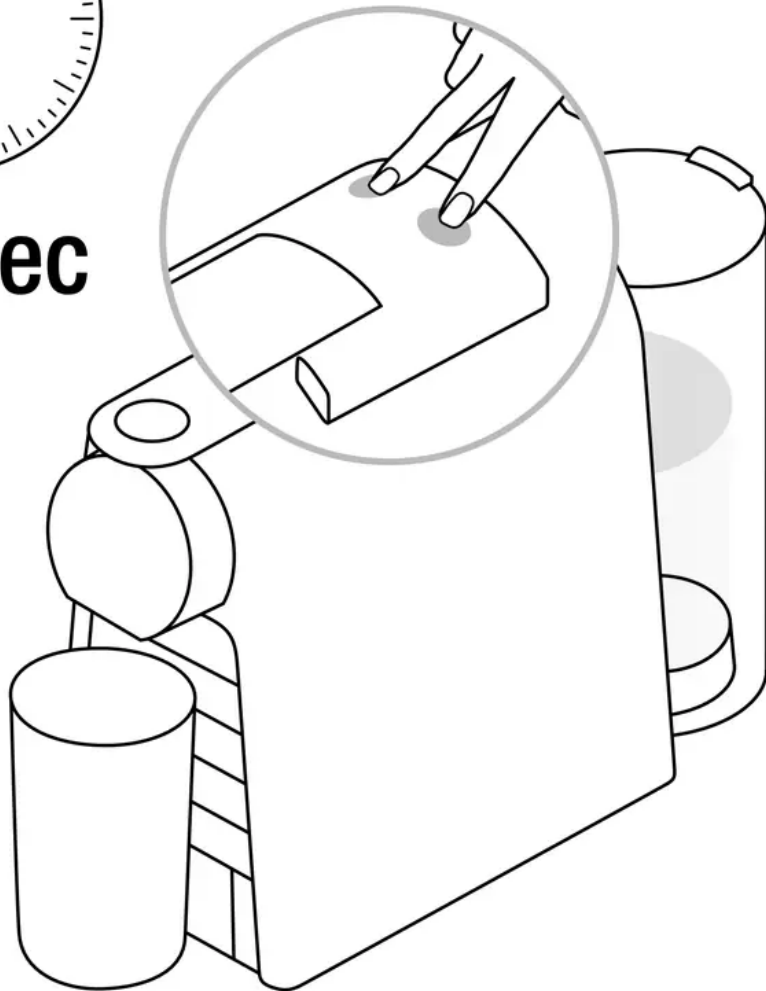
4. **Place** a container (min. volume 1 L) under the coffee outlet.



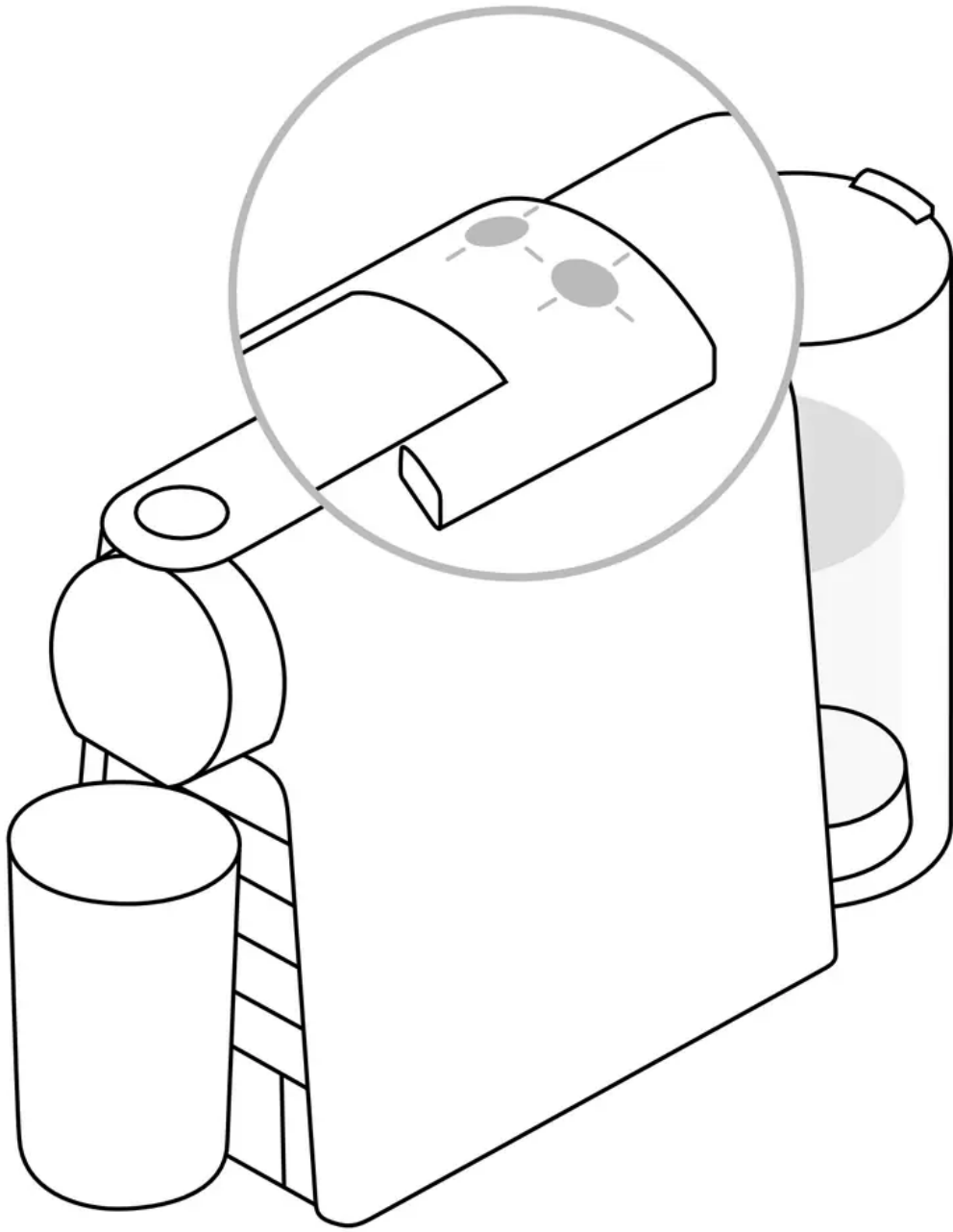
5. **To enter the descaling mode**, while the machine is turned on, press both the Espresso and Lungo buttons for 5 seconds.



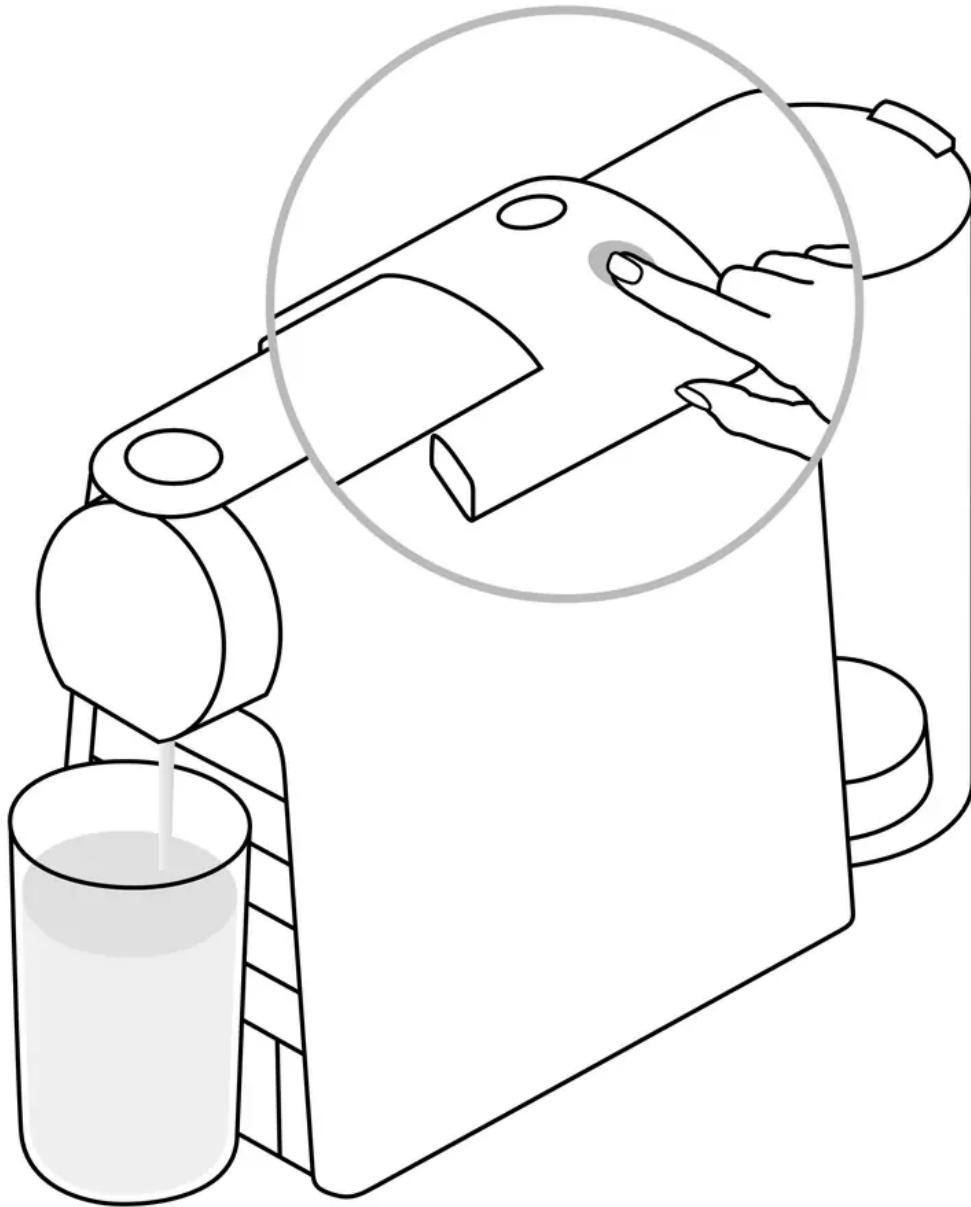
> 5 sec



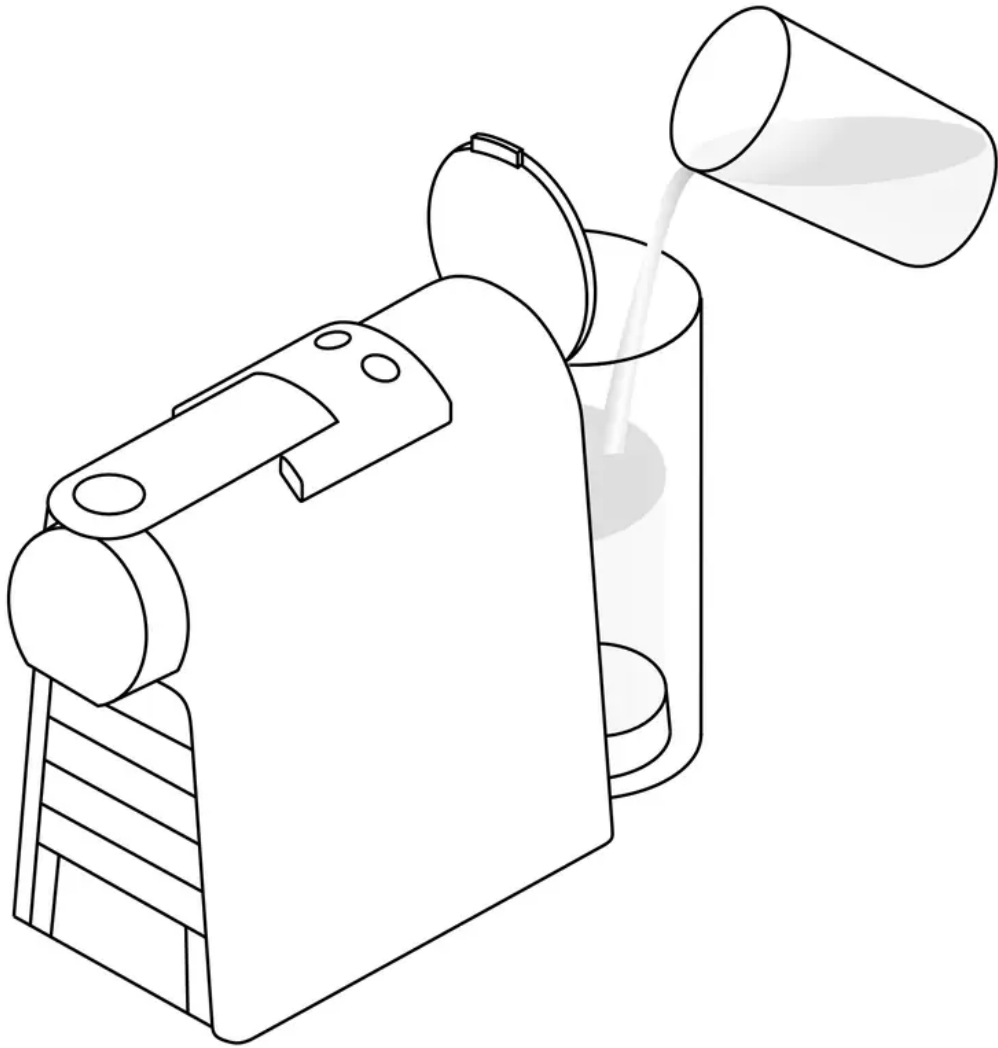
6. Both LEDs blink.



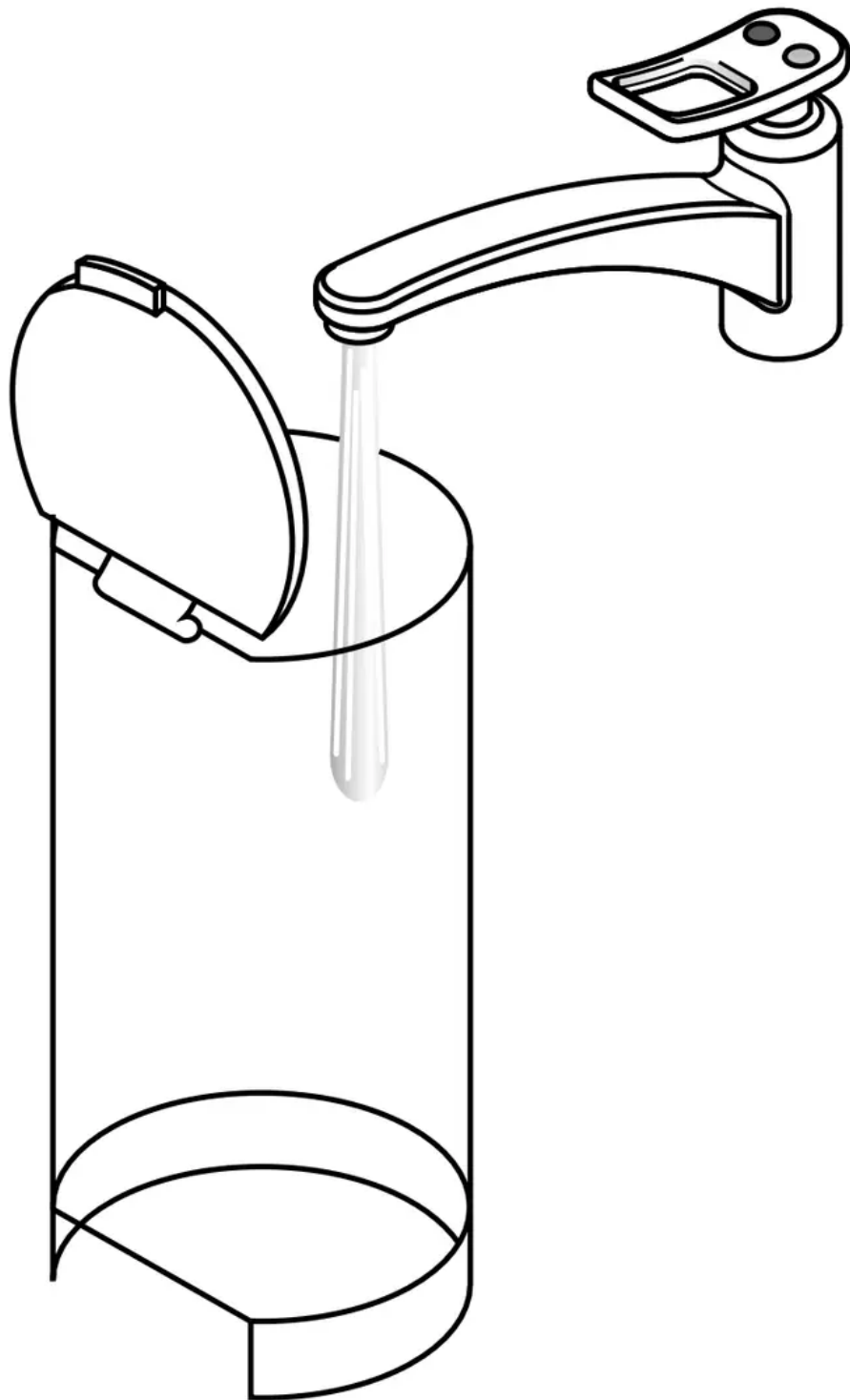
7. **Press the Lungo button** and wait until the water tank is empty.



8. **Refill the water tank** with the used descaling solution collected in the container and repeat steps 4 and 7.



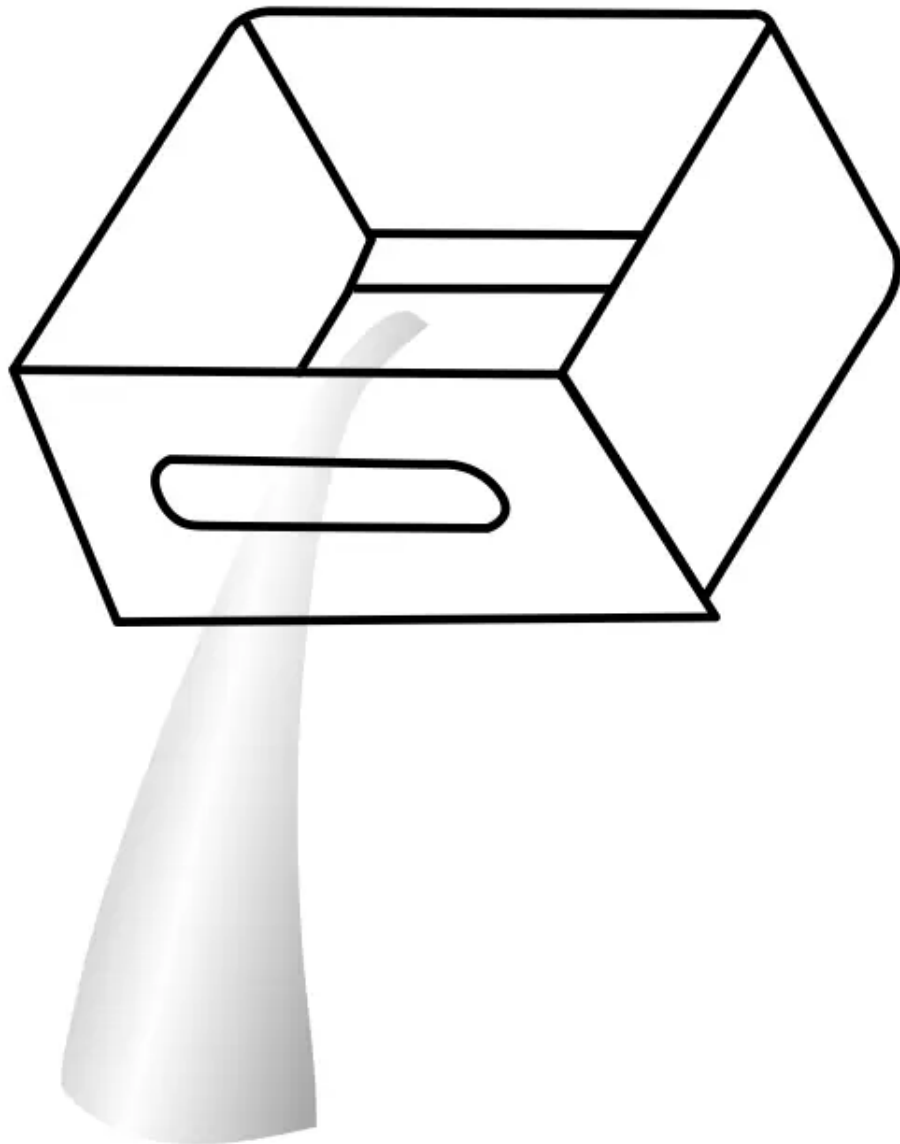
9. **Empty and rinse the water tank.** Fill with fresh potable water.




10. **When ready,** repeat steps 4 and 7 to now rinse the machine. Repeat twice.

11. **To exit the descaling mode,** press both the Espresso and Lungo buttons for 5 seconds.

12. **Empty** the drip base.

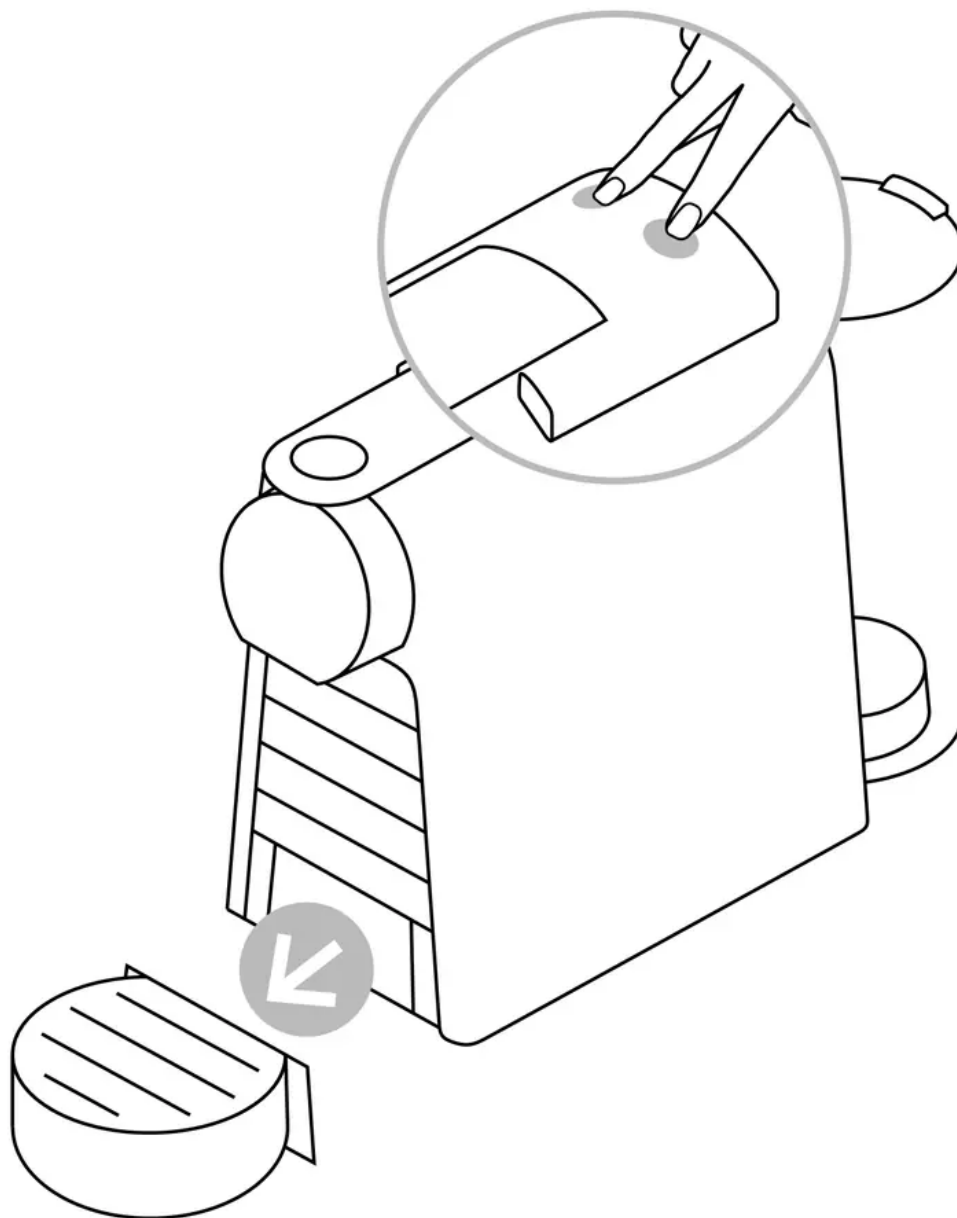


Water hardness:

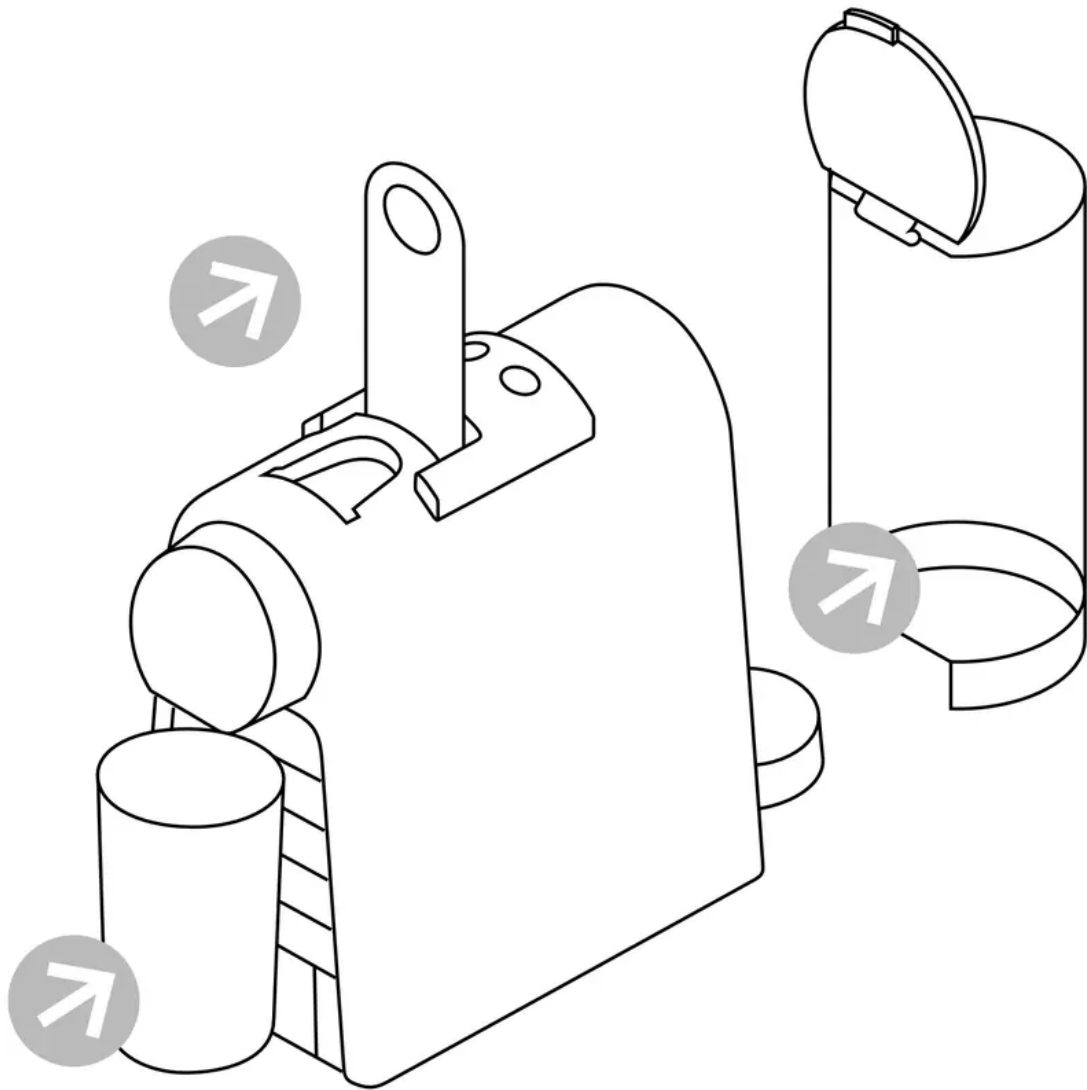
	fH	dH	CaCO ₃	Descaling after:/ Détartrage après:  (40 ml)
H (HIGH) / (ÉLEVÉE)	36	20	360 mg/l	300
M (MEDIUM) / (MODÉRÉE)	18	10	180 mg/l	600
L (LOW) / (FAIBLE)	0	0	0mg/l	1200

Emptying the system before a period of non-use and for frost protection, or before a repair

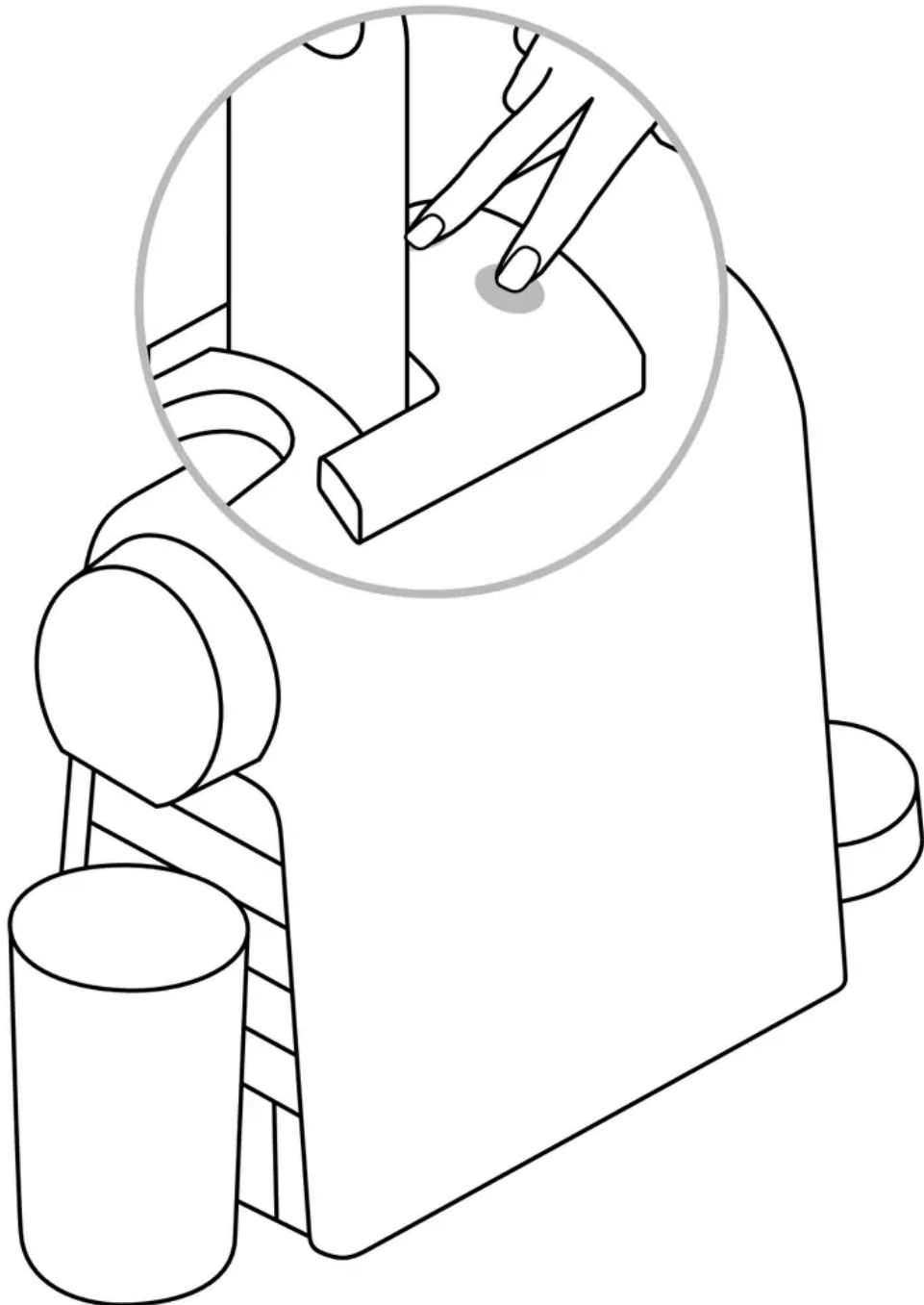
1. To enter the emptying mode, press both the Espresso and Lungo buttons to turn the machine off.



2. **Remove** the water tank and open the lever. Place a container under the coffee outlet.



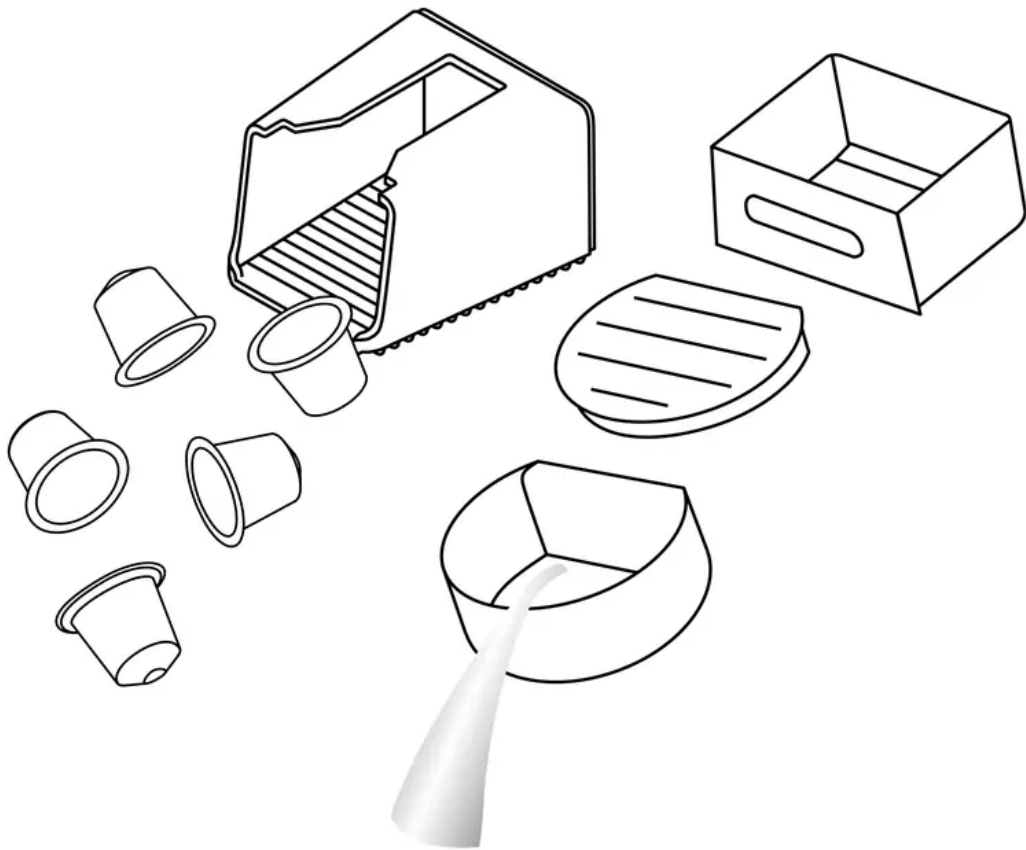
3. **Press both** the Espresso and Lungo buttons for 5 seconds. Both LEDs blink alternatively.



4. **Emptying process begins.**
Machine switches off automatically when procedure is finished.

5. **Close** the lever.

Empty and clean the used capsule container, the drip tray and the drip base.



Troubleshooting

No light indicator.	<ul style="list-style-type: none">• Check the power outlet, plug, voltage, and fuse. In case of problems, call the Nespresso Club.
No coffee, no water.	<ul style="list-style-type: none">• First use: fill water tank with warm water (max. 55° C) and run through machine according to instructions on page 10.• Water tank is empty. Fill water tank.• Descale if necessary; see Descaling section.
Coffee comes out very slowly.	<ul style="list-style-type: none">• Flow speed depends on the coffee variety.• Descale if necessary; see Descaling section.
Coffee is not hot enough.	<ul style="list-style-type: none">• Preheat cup.• Descale if necessary.
Capsule area is leaking (water in capsule container).	<ul style="list-style-type: none">• Position capsule correctly. If leakages occur, call the Nespresso Club.
Irregular blinking.	<ul style="list-style-type: none">• Send appliance to repair or call the Nespresso Club.
No coffee, just water runs out (despite inserted capsule).	<ul style="list-style-type: none">• In case of problems, call the Nespresso Club.

Warning

This content is compiled from multiple sources and is provided for reference purposes only. It may not be complete or fully applicable to all situations. If you are unable to resolve your issue, please contact the product manufacturer or an authorized service provider for official support.