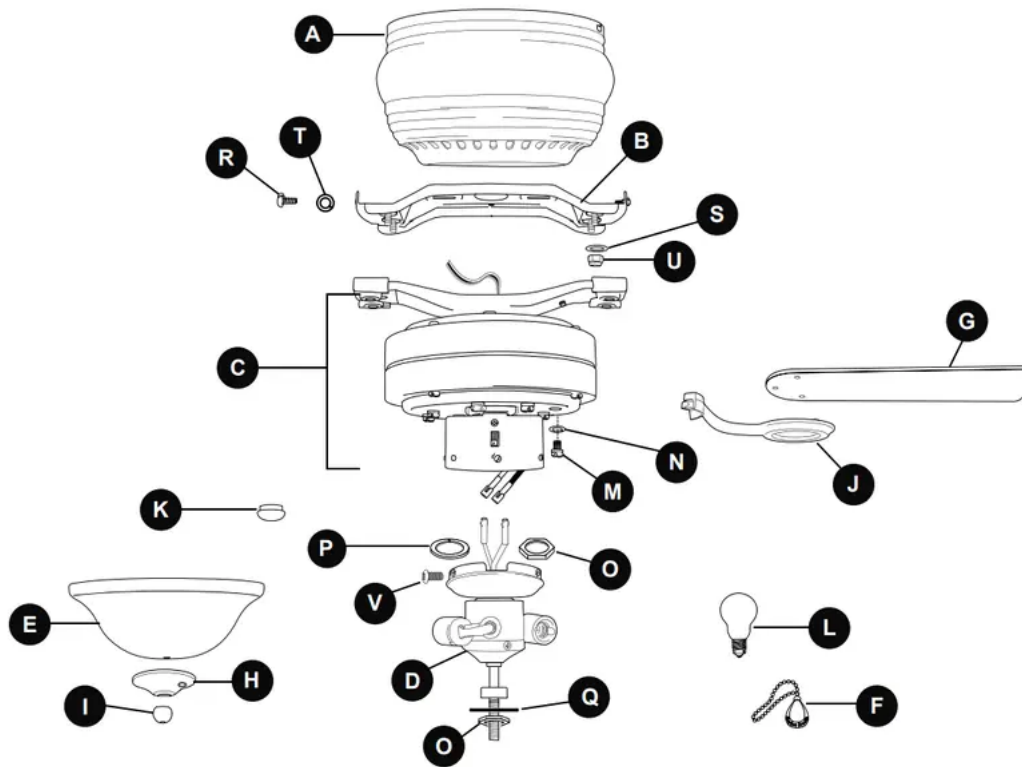


PACKAGE CONTENTS



PART	DESCRIPTION	QUANTITY
A	Motor Housing	1
B	Mounting Bracket	1
C	Motor Assembly	1
D	Light Kit Fitter	1
E	Glass Shade	1
F	Pull Chain Extension	2
G	Blade	5
H	Finial Plate (preassembled)	1
I	Finial (preassembled)	1
J	Blade Arm	5
K	Cap	1
L	Bulb	2
M	Motor Screw (preassembled)	10 + 1 extra

PART	DESCRIPTION	QUANTITY
N	5.4 mm Lock Washer (preassembled)	10 + 1 extra
O	Hex Nut (preassembled)	2
P	Lock Washer (preassembled)	1
Q	Rubber Washer (preassembled)	1
R	Motor Housing Mounting Screw (preassembled)	4
S	Mounting Bracket Flat Washer (preassembled)	4
T	Motor Housing Lock Washer (preassembled)	4
U	Mounting Bracket Nut (preassembled)	4
V	Switch Housing Cap Screw (preassembled)	3

⚠ IMPORTANT REMINDER: You must use the parts provided with this fan for proper installation and safety.

IMPORTANT REMINDER: You must use the parts provided with this fan for proper installation and safety

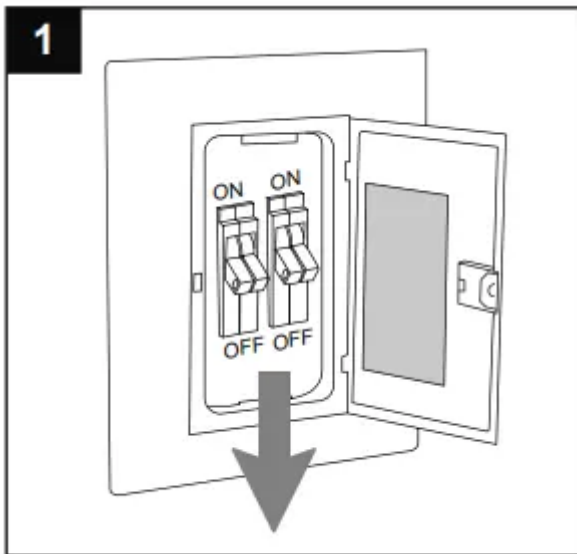
PREPARATION

- Before beginning assembly of product, make sure all parts are present. Compare parts with package contents list and hardware contents list. If any part is missing or damaged, do not attempt to assemble the product.
- Estimated Assembly Time: 120 minutes
- Tools Required for Assembly (not included): Electrical Tape, Phillips Screwdriver, Pliers, Safety Glasses, Stepladder and Wire Strippers
- Helpful Tools (not included): AC Tester Light, Tape Measure, Do-It-Yourself Wiring Handbook and Wire Cutters

INITIAL INSTALLATION

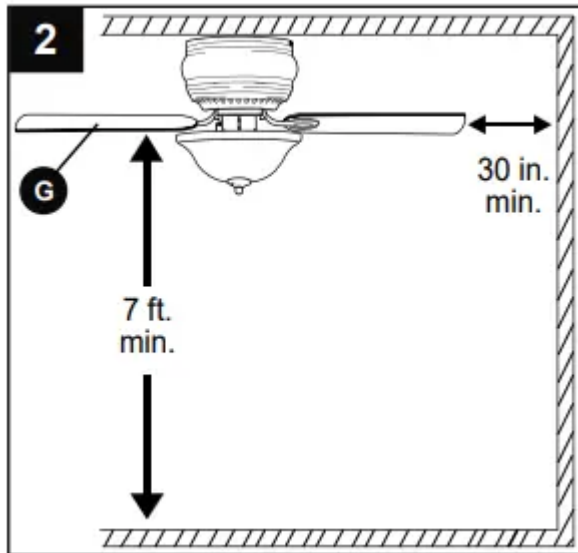
1. Turn off circuit breakers and wall switch to the fan supply line leads.

DANGER: Failure to disconnect power supply prior to installation may result in serious injury or death.

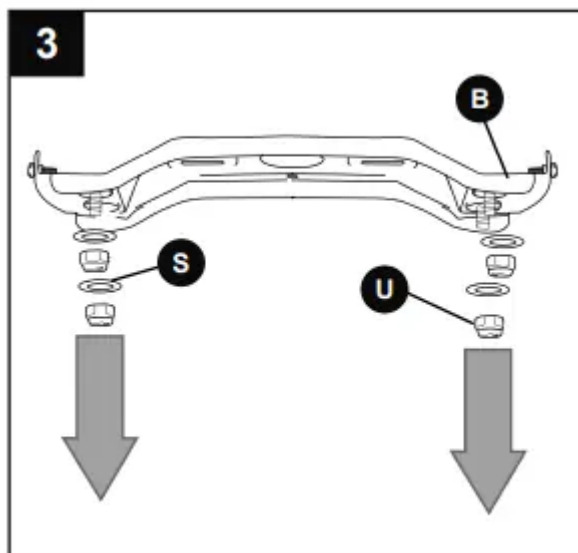


2. This fan can be mounted as a flushmount on a regular (no-slope) ceiling only.

Check to make sure blades (G) will be at least 30 in. from any obstruction and at least 7 ft. above the floor.

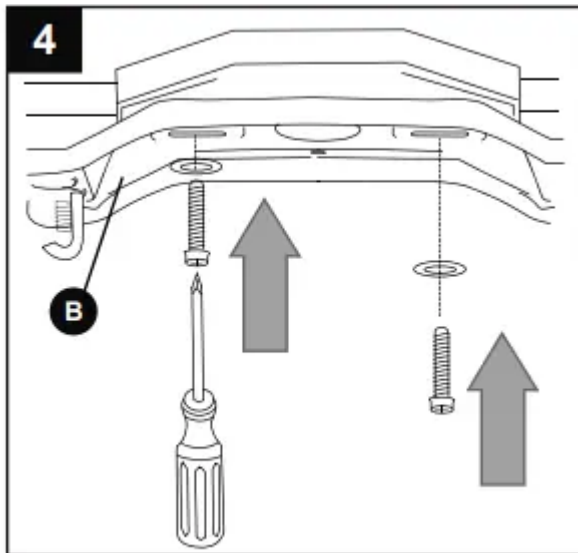


3. Remove all mounting bracket nuts (U) and mounting bracket flat washers (S) from mounting bracket (B)

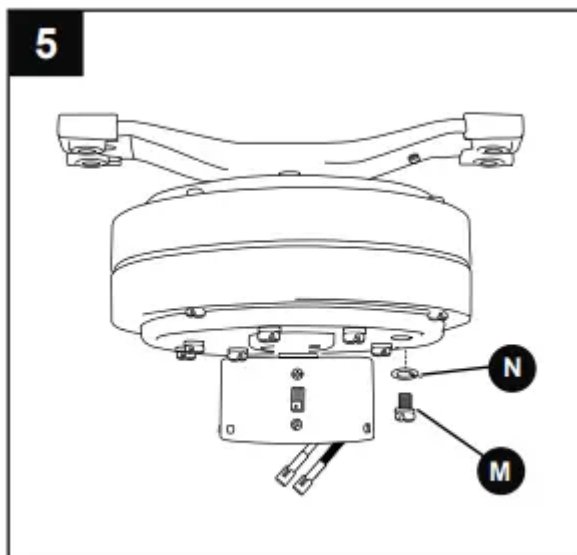


4. Secure mounting bracket (B) to outlet box using screws, spring washers and flat washers provided with the outlet box.

*NOTE: It is very important you use the proper hardware when installing the mounting bracket (B) as this will support the fan.

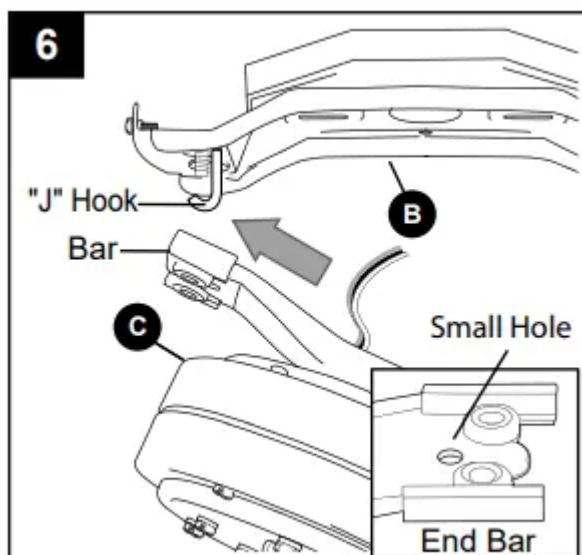


5. Remove motor screws (M) and 5.4 mm lock washers (N) from underside of motor and save for blade arm (J) attachment later on. [If there are plastic motor blocks installed with the motor screws (M) and 5.4 mm lock washers (N), discard the plastic motor blocks.]



6. Slide the slot in the bar at the top of the motor assembly (C) onto the "J" hook on the mounting bracket (B) to support the fan during wiring.

IMPORTANT: Do not use the end of the bar on the motor assembly (C) with the small round hole to hang the motor assembly (C) on the mounting bracket (B)



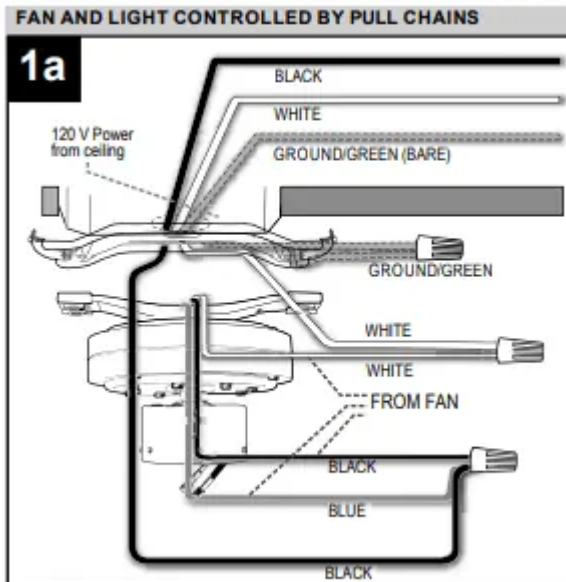
WIRING

WARNING: To reduce the risk of fire, electrical shock or personal injury, wire connectors provided with this fan are designed to accept only one 12-gauge house wire and two lead wires from the fan. If your house wire is larger than 12-gauge or there is more than one house wire to connect to the corresponding fan lead wires, consult an electrician for the proper size wire connectors to use.

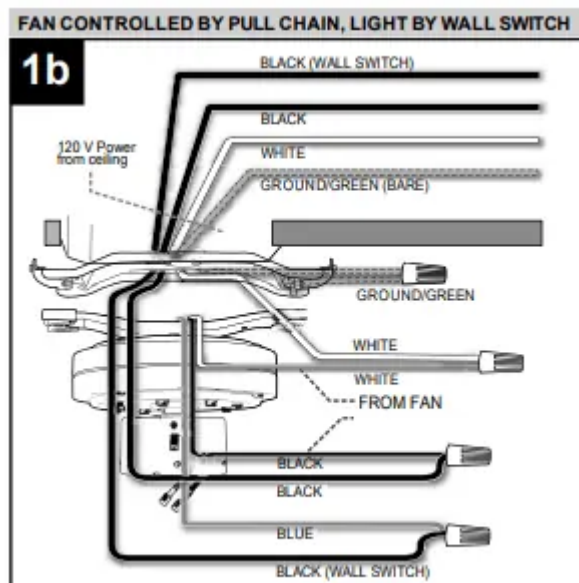
CAUTION: Be sure outlet box is properly grounded and that a ground (green or bare) wire is present.

WARNING: If house wires are different colors than referred to in the following steps, stop immediately. A professional electrician is recommended to determine wiring.

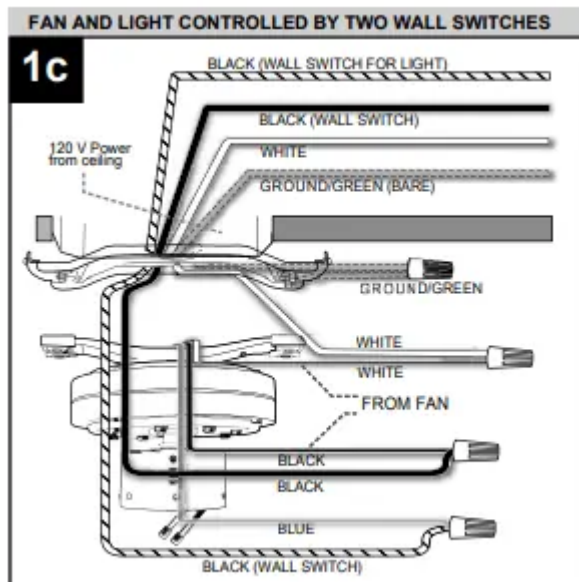
1. Choose wiring diagram (Fig. 1a, Fig. 1b or Fig. 1c) that fits your situation and make appropriate wiring connections as follows: [NOTE: For each wire connection below, use one of the wire connectors (CC), making sure to screw wire connector (CC) on in a clockwise direction.]



1a. FAN AND LIGHT CONTROLLED BY PULL CHAINS: Connect BLACK and BLUE wire from fan to BLACK wire from ceiling. Connect WHITE wire from fan to WHITE wire from ceiling. Connect all GROUND (GREEN) wires together from fan (on motor assembly (C) and mounting bracket (B)) to BARE/GREEN wire from ceiling.



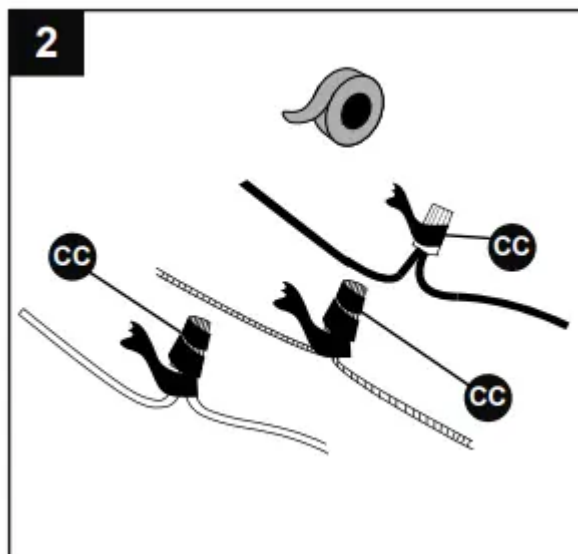
1b. FAN CONTROLLED BY PULL CHAIN, LIGHT BY WALL SWITCH: If you intend to control the fan light with a separate wall switch, connect BLACK wire from fan to BLACK wire from ceiling. Connect BLUE wire from fan to the BLACK wire from the independent wall switch for the light. Connect WHITE wire from fan to WHITE wire from ceiling. Connect all GROUND (GREEN) wires together from fan (on motor assembly (C) and mounting bracket (B)) to BARE/GREEN wire from ceiling.



1c. FAN AND LIGHT CONTROLLED BY TWO WALL SWITCHES: If you intend to control the fan and light with separate wall switches, connect BLACK wire from fan to BLACK wire from the independent wall switch for the fan. Connect BLUE wire from fan to the BLACK wire from the other independent wall switch for the light. Connect WHITE wire from fan to WHITE wire from ceiling. Connect all GROUND (GREEN) wires together from fan (on motor assembly (C) and mounting bracket (B)) to BARE/GREEN wire from ceiling.

NOTE: BLACK wire is hot power for fan. BLUE wire is hot power for light kit. White wire is common for fan and light kit. BARE/GREEN wire is ground.

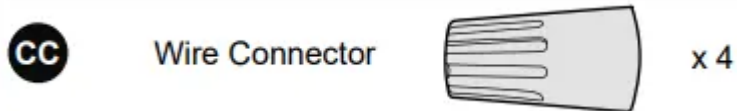
2. Wrap electrical tape (not included) around each individual wire connector (CC) down to the wire



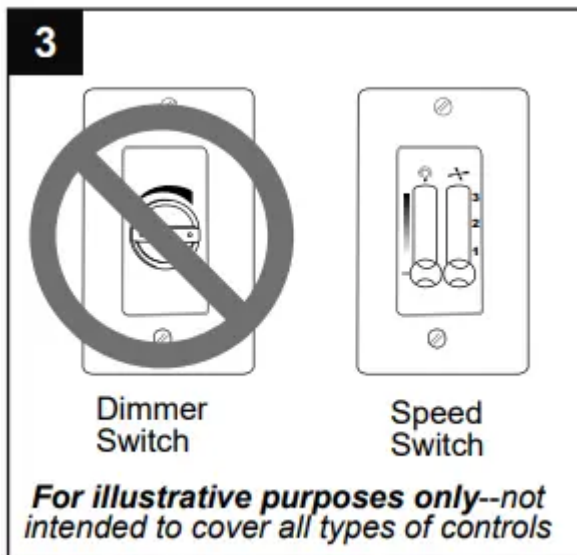
WARNING: Make sure no bare wire or wire strands are visible after making connections. Place BARE/GREEN and WHITE connections on opposite side of box from the BLACK and BLUE (if applicable) connections.

Turn spliced/taped wires upward and gently push wires and wire connectors (CC) into outlet box.

Hardware Used

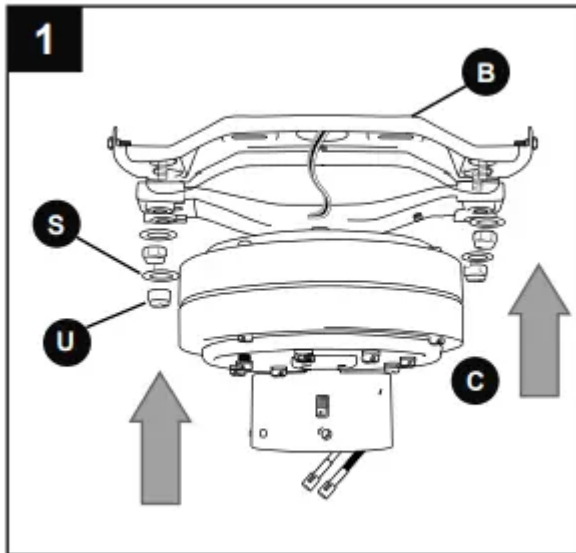


3. **IMPORTANT:** Using a full range dimmer switch (not included) to control fan speed will cause a loud humming noise from fan. To reduce the risk of fire or electrical shock, do NOT use a full range dimmer switch to control fan speed.

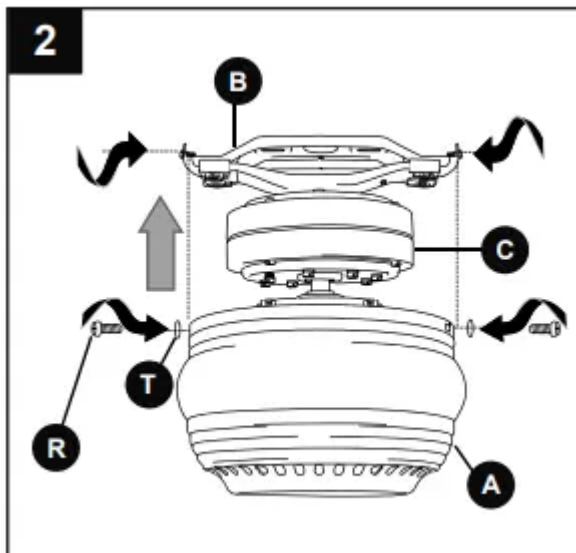


FINAL INSTALLATION

1. Remove motor assembly (C) from "J" hook. Align holes in motor assembly (C) with holes in mounting bracket (B). Secure motor assembly (C) with mounting bracket flat washers (S) and mounting bracket nuts (U) previously removed (Step 3, page 6).

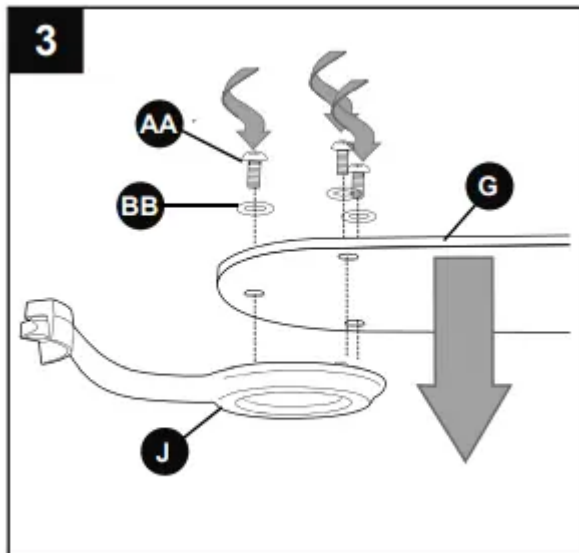


2. Temporarily lift motor housing (A) to mounting bracket (B). Determine which two motor housing mounting screws (R) in sides of mounting bracket (B) align with the slotted holes in the top edge of the motor housing (A) and partially loosen these two motor housing mounting screws (R). Remove the other two motor housing mounting screws (R) and motor housing lock washers (T). Slide motor housing (A) over motor assembly (C), aligning slotted holes in motor housing (A) with loosened motor housing mounting screws (R) in mounting bracket (B). Twist motor housing (A) to lock. Re-insert the other two motor housing mounting screws (R), along with motor housing lock washers (T), previously removed. Tighten all motor housing mounting screws (R) securely.


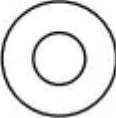


3. Partially insert three blade screws (AA) along with three fiber blade washers (BB) into holes in blade (G) to attach blade arm (J) to blade (G). Then, tighten each blade screw (AA) starting with the one in the middle.

Repeat Step 3 with remaining blades (G).

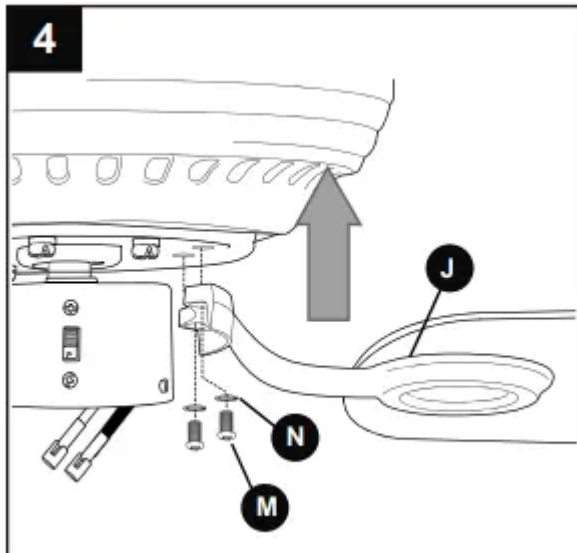


Hardware Used

AA	Blade Screw		x 15
BB	Fiber Blade Washer		x 15

4. Locate motor screws (M) and 5.4 mm lock washers (N) previously removed (Step 5, page 7).

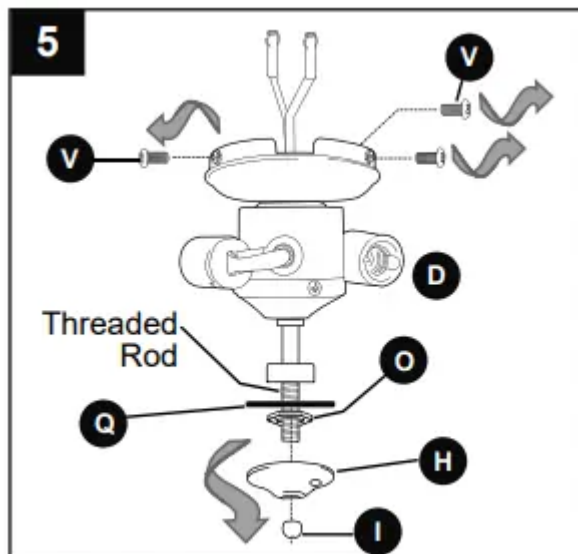
Insert two motor screws (M) along with 5.4 mm lock washers (N) through one blade arm (J) to attach blade arm (J) to motor. Tighten motor screws (M) securely. Repeat with remaining blade arms (J), making sure to completely secure each blade arm (J) before proceeding with the next.



5. Remove three switch housing cap screws (V) from top of light kit fitter (D).

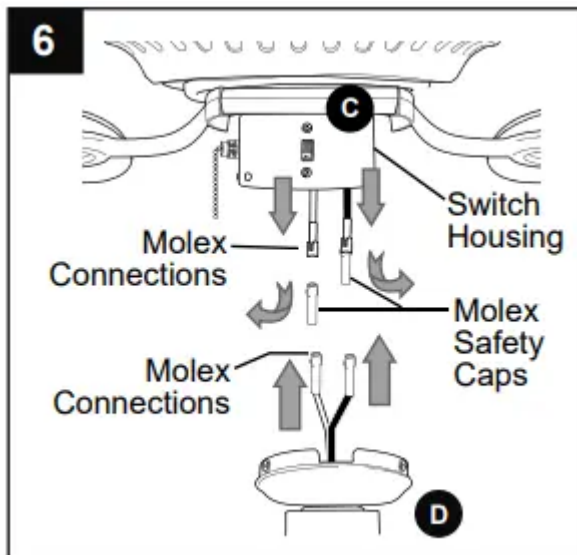
If you wish to USE the light kit, remove finial (I), finial plate (H), hex nut (O) and rubber washer (Q) from bottom of light kit fitter (D). Save hardware for later use. Continue to Step 6.

If you do NOT wish to use the light kit, proceed to Step 11, page 14.

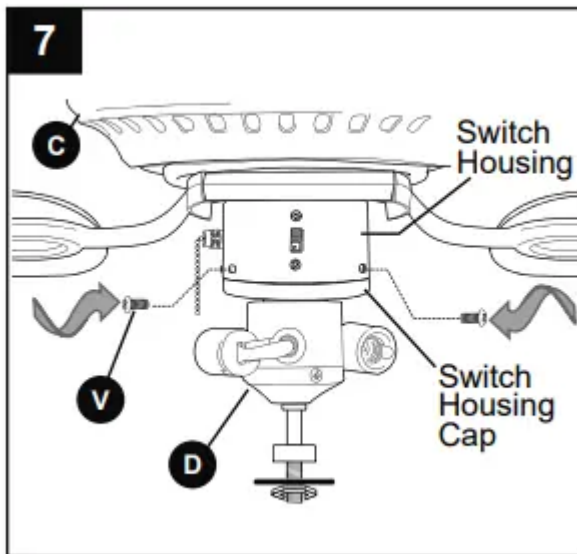


6. Locate BLUE (or BLACK) and WHITE wires in switch housing of motor assembly (C) labeled FOR LIGHT and remove plastic that holds these two wires together. Also, remove molex safety caps from bottom of BLUE (or BLACK) and WHITE wires. NOTE: It may be necessary to pull firmly in order to remove molex safety caps.

Connect WHITE wire from switch housing to WHITE wire from light kit fitter (D). Connect BLUE (or BLACK) wire from switch housing to BLACK wire from light kit fitter (D). Make sure that molex connections are secure.

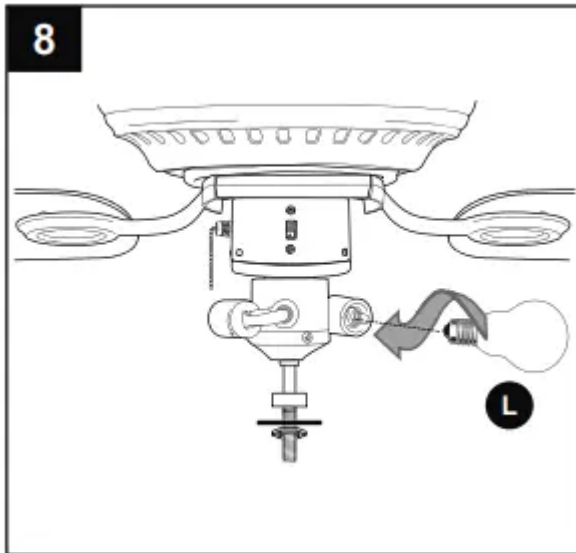


7. To attach light kit fitter (D) to motor assembly (C), align holes in switch housing cap, at top of light kit fitter (D), with holes in switch housing. (Make sure to align gap on top edge of the switch housing cap with the reverse switch on switch housing for the correct fit.) Re-insert switch housing cap screws (V) previously removed (Step 5, page 11). Tighten all switch housing cap screws (V) securely



8. Install bulbs (L).

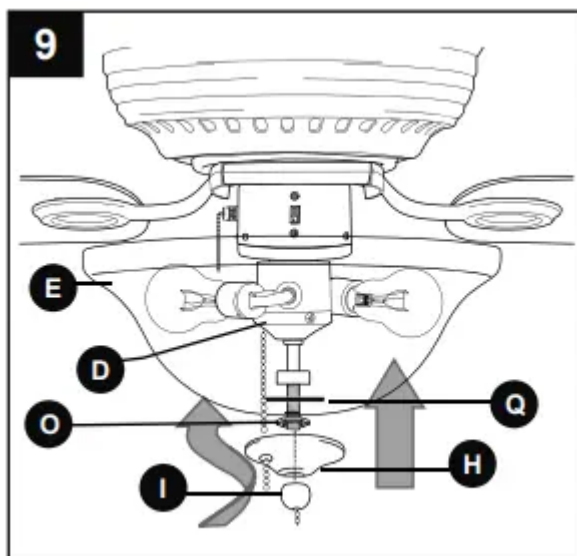
IMPORTANT: When you need to replace bulbs, please allow bulbs and light kit to cool down before touching the bulbs or the light kit.



9. Locate rubber washer (Q), hex nut (O), finial plate (H) and finial (I) previously removed (Step 5, page 11). Place rubber washer (Q) inside glass shade (E) over center hole.

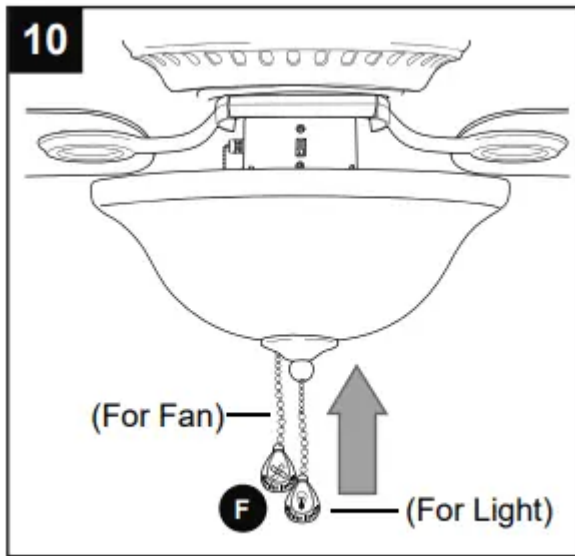
Align hole in center of glass shade (E) with threaded rod on light kit fitter (D), allowing pull chains to come through corresponding holes in glass shade (E). Push up gently on glass shade (E) until threaded rod comes through hole. (Be sure fan pull chain does not rub against bulbs during fan operation.) Secure glass shade (E) with hex nut (O). Align hole in center of finial plate (H) with threaded rod, allowing the pull chains to come through appropriate holes in finial plate (H) and push up. Thread center pull chain through hole in finial (I) and secure glass shade (E) by tightening finial (I).

NOTE: Do NOT overtighten finial (I) as glass may crack or break.



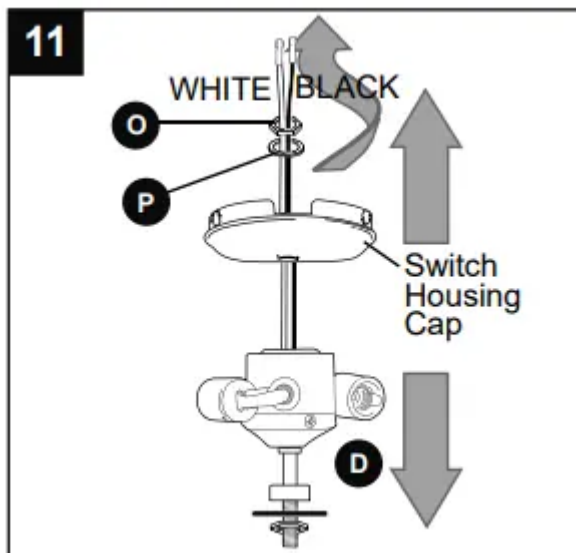
10. Attach applicable pull chain extensions (F) or custom pull chain extensions (not included) to the fan and light pull chains.

Assembly is now complete.



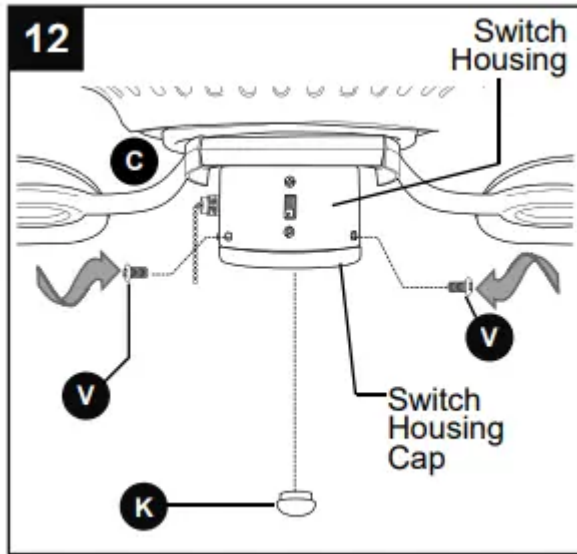
11. If you do NOT wish to use the light kit, remove the hex nut (O) and lock washer (P) from the threaded rod at the top of the light kit fitter (D). Unscrew the switch housing cap to remove it from the light kit fitter (D), and then gently feed the BLACK and WHITE wires from the light kit fitter (D) through the hole in the middle of the switch housing cap.

WARNING: RISK OF SHOCK. The molex safety caps should not be removed unless a light kit will be immediately installed and the power should be turned off prior to molex safety cap removal and light kit installation.

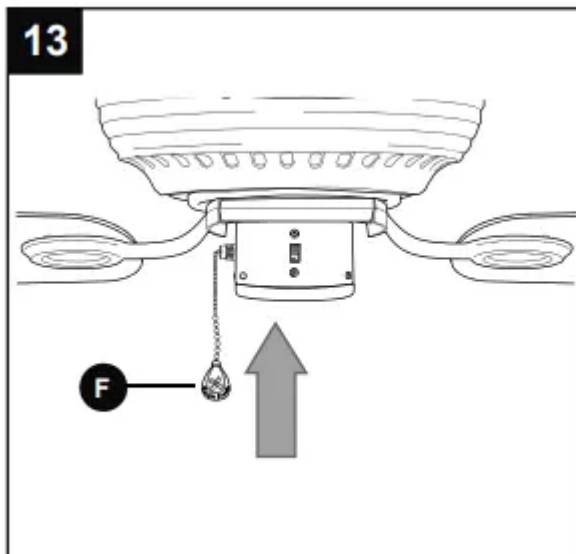


12. Place cap (K) firmly in hole in middle of switch housing cap. Align holes in switch housing cap with holes in switch housing on motor assembly (C). (Make sure to align gap on top edge of the switch housing cap with the reverse switch on switch housing for the correct fit.)

Secure switch housing cap with three switch housing cap screws (V) previously removed (Step 5, page 11). Tighten all three switch housing cap screws (V) securely.

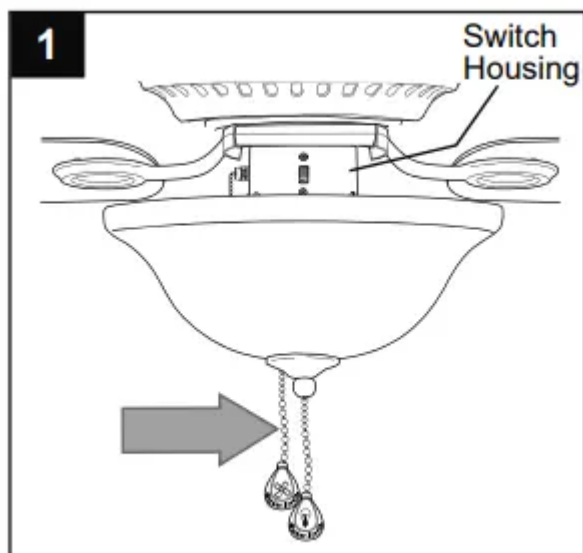


13. Attach applicable pull chain extension (F) or custom pull chain extension (not included) to the fan pull chain.

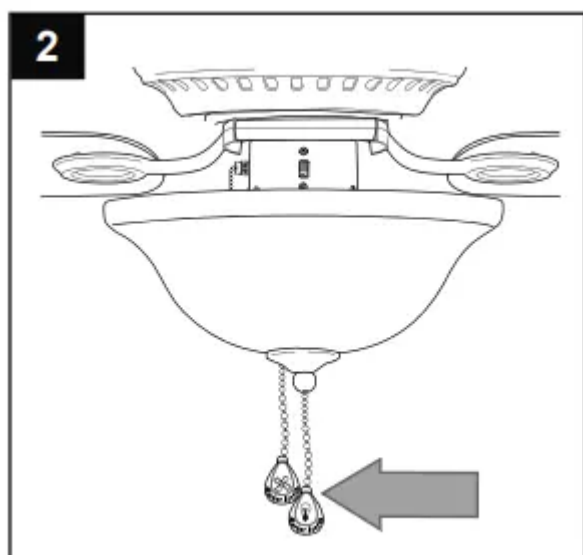


OPERATING INSTRUCTIONS

1. The pull chain located on the switch housing has four positions to control fan speed. One pull is HIGH, two is MEDIUM, three is LOW and four turns the fan OFF.

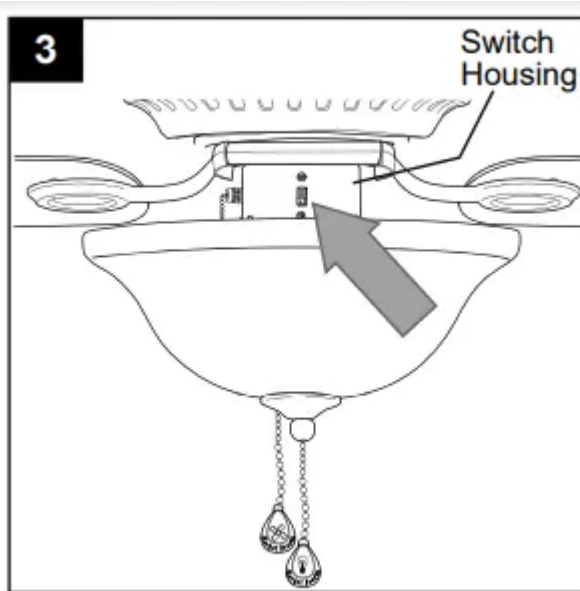


2. The pull chain located in the center is used to turn the light ON or OFF.



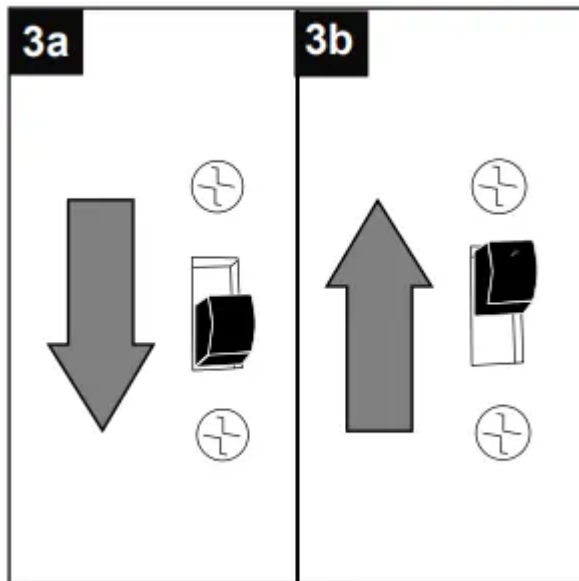
3. Use the fan reverse switch, located on the switch housing, to optimize the fan for seasonal performance. A ceiling fan will allow you to raise your thermostat setting in summer and lower your thermostat setting in winter without feeling a difference in your comfort.

NOTE: Wait for fan to stop before moving the reverse switch.

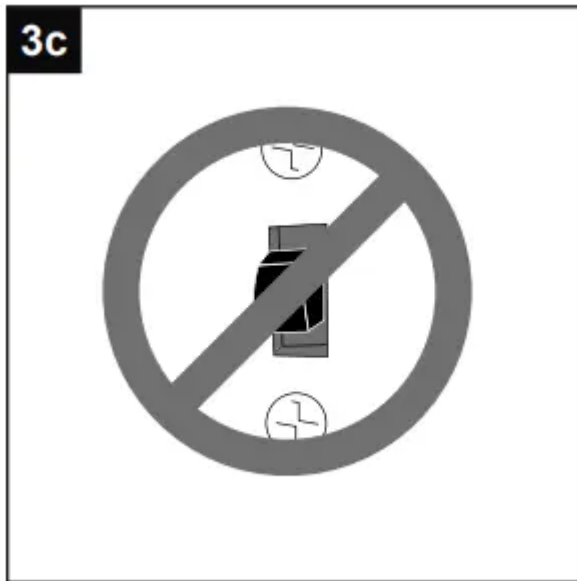


3a. In warmer weather, setting the reverse switch in the DOWN position will result in downward airflow creating a wind chill effect.

3b. In cooler weather, setting the reverse switch in the UP position will result in upward airflow that can help move stagnant, hot air off the ceiling area.



3c. **IMPORTANT:** Reverse switch must be set either completely UP or completely DOWN for fan to function. If the reverse switch is set in the middle position, fan will not operate.



CARE AND MAINTENANCE

- At least twice each year, lower motor housing (A) to check motor assembly (C), and then tighten all screws. Clean motor housing (A) with only a soft brush or lint-free cloth to avoid scratching the finish. Clean blades (G) with a lint-free cloth. You may occasionally apply a light coat of furniture polish to wood blades for added protection.
- **IMPORTANT:** Shut off main power supply before beginning any maintenance. Do not use water or a damp cloth to clean the ceiling fan.
- **Bulb Replacement:** Use standard-base 6.5-watt LED bulbs or incandescent/halogen/CFL equivalents.

TROUBLESHOOTING

WARNING: Before beginning work, shut off the power supply to avoid electrical shock

PROBLEM	POSSIBLE CAUSE	CORRECTIVE ACTION
Fan does not move.	<ol style="list-style-type: none"> 1. Reverse switch not engaged. 2. Power is off or fuse is blown. 3. Faulty wire connection. 	<ol style="list-style-type: none"> 1. Push switch firmly either up or down. 2. Turn power on or check fuse. 3. Turn power off. Loosen motor housing and check all connections.
Noisy operation.	<ol style="list-style-type: none"> 1. Blades are loose. 2. Cracked blade. 3. Full range dimmer switch. 4. Fan is new. 5. Motor housing is loose. 	<ol style="list-style-type: none"> 1. Tighten all blade screws. 2. Replace blade. 3. Replace with an approved speed control device. 4. Allow fan a “break in” period of a few days, especially when running the fan at Medium and High speeds. 5. Turn power off. Carefully loosen motor housing and verify that mounting bracket is secure according to instructions on page 10.
Excessive wobbling.	<ol style="list-style-type: none"> 1. Blades are loose. 2. Blade arms incorrectly attached. 3. Unbalanced blades. 4. Fan not securely mounted. 	<ol style="list-style-type: none"> 1. Tighten all blade screws. 2. Re-install blade arms. 3. Switch one blade with a blade from the opposite side. 4. Turn power off. Carefully loosen motor housing and verify that mounting bracket is secure.
		<ol style="list-style-type: none"> 1. Re-install bulb(s).



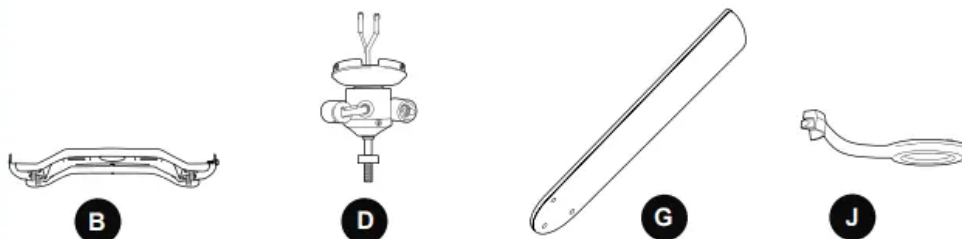
Fan operates but light fails (if applicable)	<ol style="list-style-type: none"> 1. Bulb(s) not installed correctly. 2. Wires in outlet box not wired properly. 3. Wall switch to fan is off. 4. Wires in switch housing not wired correctly 	<ol style="list-style-type: none"> 2. Check wires in outlet box and, if necessary, re-wire according to instructions on pages 8 and 9. 3. Make sure that wall switch to fan is on. 4. Check wires in switch housing and, if necessary, re-wire according to instructions on page 11.
--	--	---

NOTE: A small amount of "wobble" is normal and should not be considered a defect.

REPLACEMENT PARTS LIST

For replacement parts, call our customer service department at 1-800-643-0067, 8 a.m. - 6 p.m., EST, Monday - Thursday, 8 a.m. - 5 p.m., EST, Friday

		#0807423	#0807424	#0807425
PART	DESCRIPTION	PART #	PART #	PART #
B	Mounting Bracket	0807423-B	0807424-A	0807425-A
D	Light Kit Fitter	0807423-D	0807424-B	0807425-B
G	Blade	0807423-G	0807424-D	0807425-D
J	Blade Arm	0807423-J	0807424-G	0807425-G



Warning

This content is compiled from multiple sources and is provided for reference purposes only. It may not be complete or fully applicable to all situations. If you are unable to resolve your issue, please contact the product manufacturer or an authorized service provider for official support.