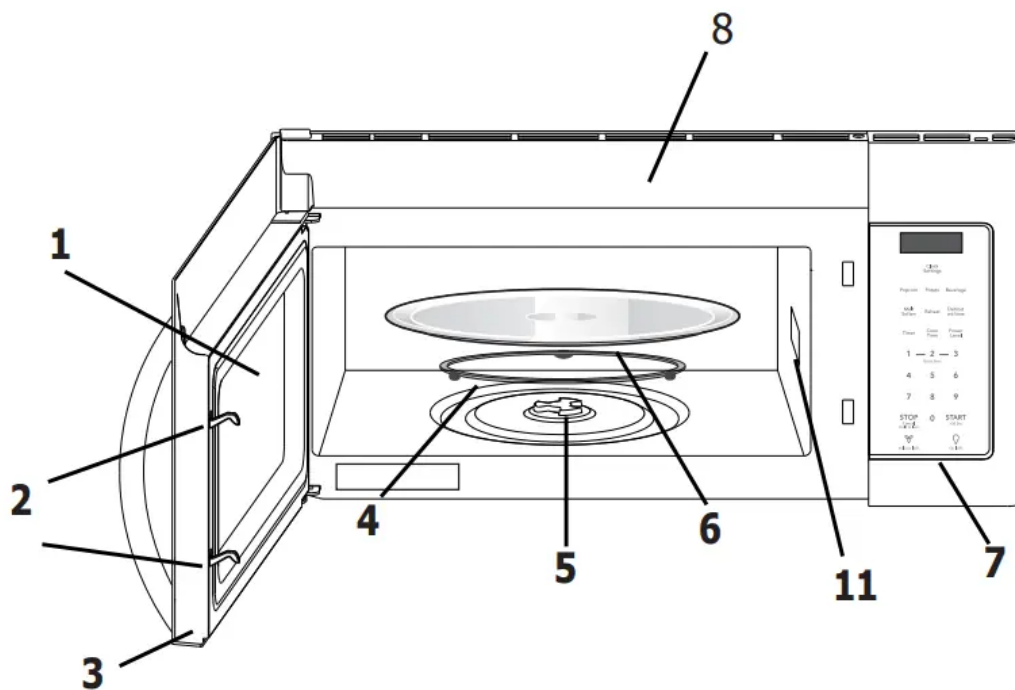


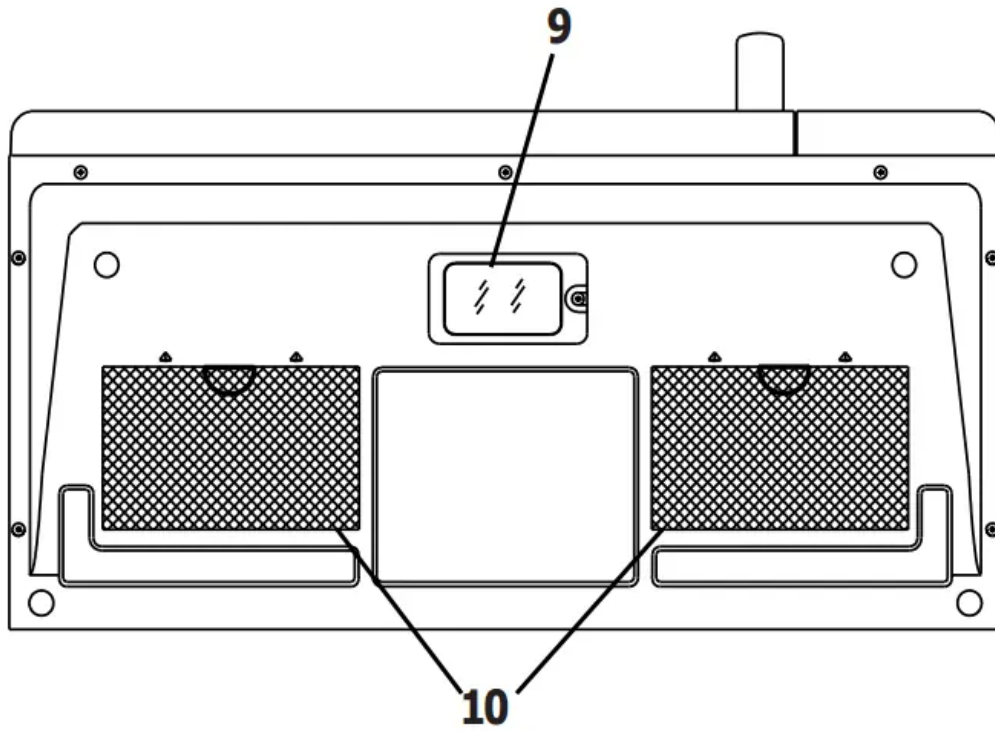
PART NAMES

Microwave features

Front View

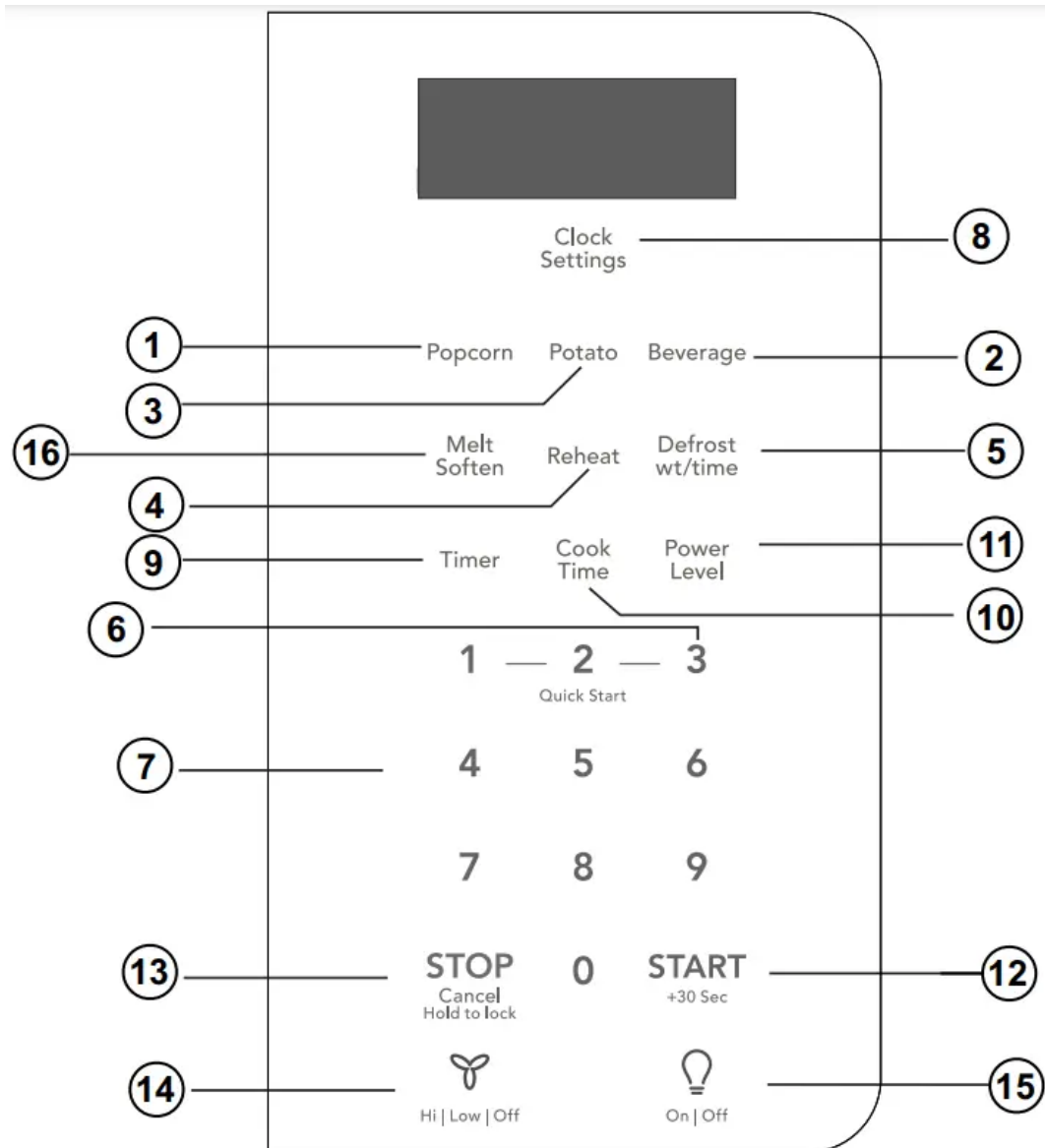


Bottom View



1. Window
2. Interlock system
3. Door assembly
4. Turntable ring assembly
5. Turntable Shaft
6. Turntable glass tray
7. Control panel
8. Ventilation openings (on top)
9. Surface lights
10. Ventilation filters
11. Waveguide cover: Do NOT REMOVE

CONTROL PANEL



1. Popcorn (P17)
2. Beverage (P17)
3. Potato (1-4 potatoes) (P17)
4. Reheat (3 different settings) (P15)
5. Defrost (by time or weight) (P13)
6. Quick Start (3 instant key settings)(P11)
7. Numeric pads (0 thru 9)
8. Settings (P10)
9. Timer (P1)
10. Cook Time (P1)
11. Power Level (10 power levels available) (P16)

12. START +30 sec (P12)
13. Stop/Cancel (P12)
14. Exhaust (High/Low/Off) ~ Use to turn the exhaust fan on, off, or to adjust fan speed. (P10)
15. Surface Light ~ Press this pad 3 to turn the surface lights on or off. (P10)
16. Melt Soften (P15)

Note: For detailed information, please go to relative page listed above.

BEFORE OPERATING

Clock Settings

The microwave oven has settings that allow you to customize the operation for your convenience. Below is the table showing the various settings. Touch the Clock & Settings key multiple times to scroll to the desired setting function.

Key press	Option
Clock Settings x1	Clock
Clock Settings x2	Sound Low/nor/Hi/Off(nor=Normal)
Clock Settings x3	Weight lb/kg
Clock Settings x4	Power Save
Clock Settings x5	Demo

Setting the clock

Example: setting clock display for 9:00:

1. Touch **Clock Settings** pad once. Clock
Settings
2. Enter time using number pads. 9 0 0
3. Touch **START +30 sec** pad again. START
+30 Sec

Setting the timer

Example: setting timer for 5 minutes:

1. Touch **Timer** pad once. Timer

2. Enter desired time using number pads. **5 0 0**
3. Touch **Timer** pad. **Timer**

Timer count down does not stop even if the door is opened. To stop/cancel the timer, press the Timer key once. When the timer has reached the end of set time, you will hear beep alerts indicating the timer has run out.

Exhaust High / Low / Off

The exhaust ventilation removes steam and other cooking vapors from the cooking surface of the range below the microwave oven.

To operate the exhaust vent, Touch the **Exhaust High/Low/Off** pad once for the highest speed setting. Touch the pad again to choose the Low speed setting and a 3rd time to turn



the exhaust ventilation off. **Hi | Low | Off**

Note: If the temperature gets too hot around the microwave oven, the fan in the exhaust vent hood will automatically turn on at the LOW setting to cool the oven. The fan will automatically turn off when the internal parts are cool. When this occurs, the vent cannot be turned off.

Surface Light / On / Off

Touch the **Surface Light/On/Off** pad once for a cooking surface light. Press the pad again to



turn the light off. **On | Off**

Control Lock

You may lock the control panel to prevent the microwave from being accidentally started or used by children.

The control lock feature is very useful when cleaning the control panel. The lock will prevent accidental programming when wiping the control panel clean.

Example: to set the control lock ON: Touch and hold the **Stop/Cancel** pad for more than 3



seconds. The Lock icon will appear in the display window along with 2 beeps.

Example: to change the control lock from ON to OFF: Touch and hold the **Stop/Cancel** pad for more than 3 seconds. The Lock icon will disappear in the display window.



CLEANING AND CARE

Disconnect the power cord or leave the door open to deactivate the oven during cleaning.
Disconnect the power cord before replacing filters and lights.

EXTERIOR

The outside surface is precoated steel and plastic. Clean the outside with mild soap and water; rinse and dry with a soft cloth. Do not use any type of household or abrasive cleaner.

DOOR

Wipe the window on both sides with a soft cloth to remove any spills or splatters. Metal parts will be easier to maintain if wiped frequently with a soft cloth. Avoid the use of spray and other harsh cleaners as they may stain, streak or dull the door surface.

EASY CARE™ STAINLESS STEEL /SMUDGE PROOF™ STAINLESS STEEL / (SOME MODELS) STAINLESS STEEL

Your microwave oven (some models) may have a Stainless Steel finish or coating. Clean the stainless with warm soapy water using a clean sponge or cloth. Rinse with clean water and dry with a soft clean cloth. DO NOT use ANY store bought cleaners like Stainless Steel cleaners or any other types of cleaners containing any abrasive, chlorides, chlorines or ammonia. It is recommended to use mild dish soap and water or a 50/50 solution of water and vinegar.

TOUCH CONTROL PANEL

Care should be taken in cleaning the touch control panel. If the control panel becomes soiled, open the microwave oven door before cleaning. Wipe the panel with a cloth dampened slightly with water only. Dry with a soft cloth. Do not scrub or use any sort of chemical cleaners. Close door and touch **STOP/CLEAR**

INTERIOR

Cleaning is easy because little heat is generated to the interior surfaces. To clean the interior surfaces, wipe with a soft cloth and warm water. DO NOT USE ABRASIVE OR HARSH CLEANERS OR SCOURING PADS. For heavier soil, use baking soda or a mild soap; rinse thoroughly with hot water. The round wire rack and shelf can be cleaned with hot soapy water, rinsed and dried.

WAVEGUIDE COVER

The waveguide cover is located on the right side in the microwave oven cavity. It is made from mica so requires special care. Keep the waveguide cover clean to assure good microwave oven performance. Carefully wipe with a damp cloth any food splatters from the surface of the cover immediately after they occur. Built-up splashes may overheat and cause smoke or possibly catch fire. DO NOT REMOVE THE WAVEGUIDE COVER.

ODOR REMOVAL

Occasionally, a cooking odor may remain in the microwave oven. To remove, combine 1 cup water, grated peel and juice of 1 lemon in a 2-cup glass measuring cup. Boil for several minutes using 100% power. Allow to set in microwave oven until cool. Wipe interior with a soft cloth.

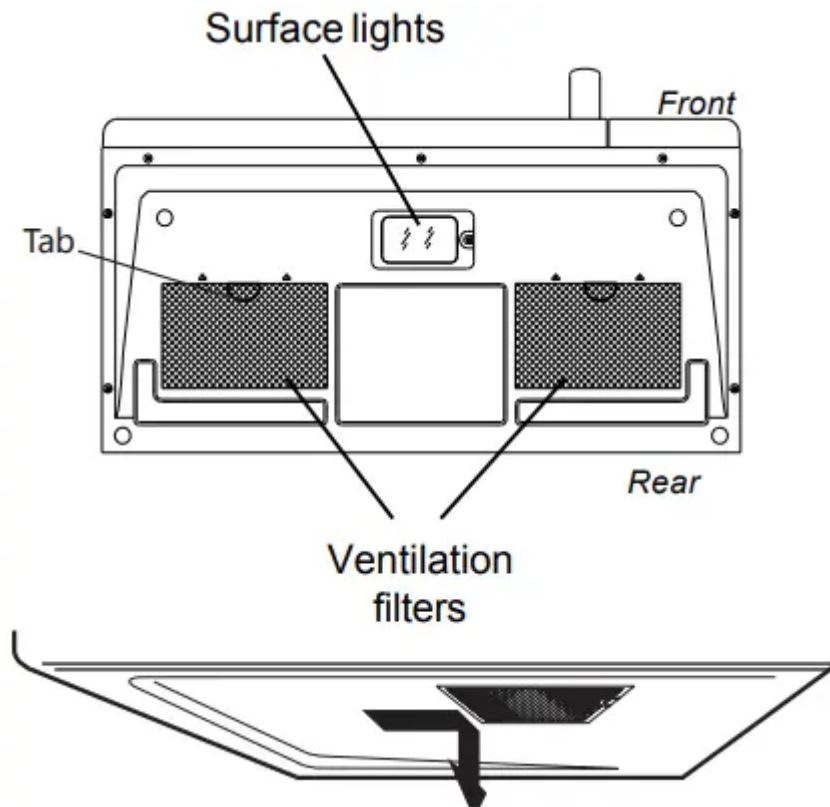
TURNTABLE/TURNTABLE SUPPORT

The turntable and turntable support can be removed for easy cleaning. Wash them in mild, sudsy water; for stubborn stains use a mild cleanser and non-abrasive scouring sponge. They are also dishwasher-proof. Use upper wire rack of dishwasher. The turntable motor shaft is not sealed, so excess water or spills should be wiped up immediately.

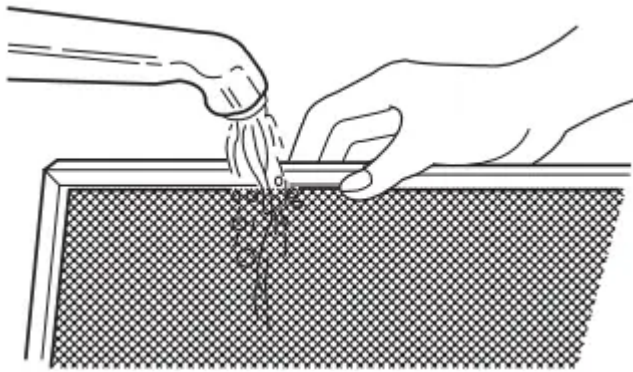
Cleaning the exhaust filters

The oven ventilation exhaust filters should be removed and cleaned often; generally at least once every month.

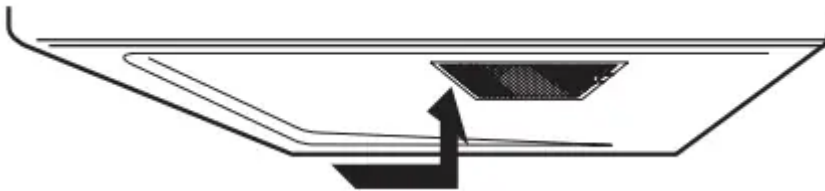
CAUTION: To avoid risk of personal injury or property damage, do not operate oven hood without filters properly in place.



1. To remove the exhaust ventilation filters, slide the filter to the rear. Then pull filter downward and push to the other side. The filter will drop out. Repeat for the 2nd filter.



2. Soak the ventilation filters in hot water using a mild detergent. Rinse well and shake to dry or wash in. Do not use ammonia. The aluminum on the filter will corrode and darken.

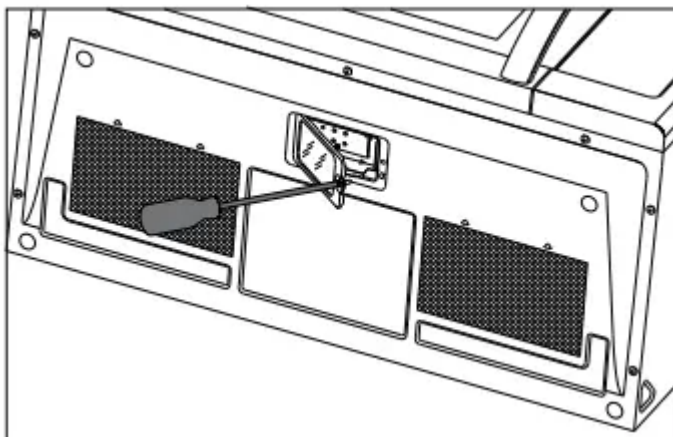


3. To reinstall the exhaust ventilation filter, slide it into the side slot, then push up and toward oven to lock. Reinstall the 2nd filter using the same procedure.

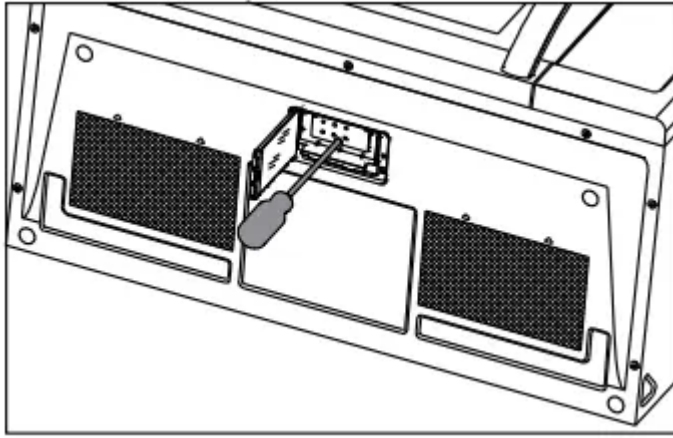
Surface light replacement

CAUTION: To avoid risk of personal injury or property damage, wear gloves when replacing the light bulbs.

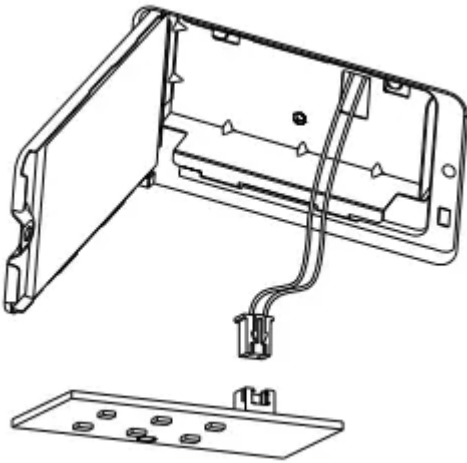
1. Unplug the microwave oven or turn off power at the main circuit breaker.
2. Remove the cover mounting screw under the microwave.



3. Remove the LED light mounting screw.



4. Unplug the LED light from the harness, replace with part 5304499540. To order parts call 800-599-7569. Then reconnect the harness.



5. Re-install LED light and mounting screw. When re-installing mounting screw be careful not to damage the LED light.

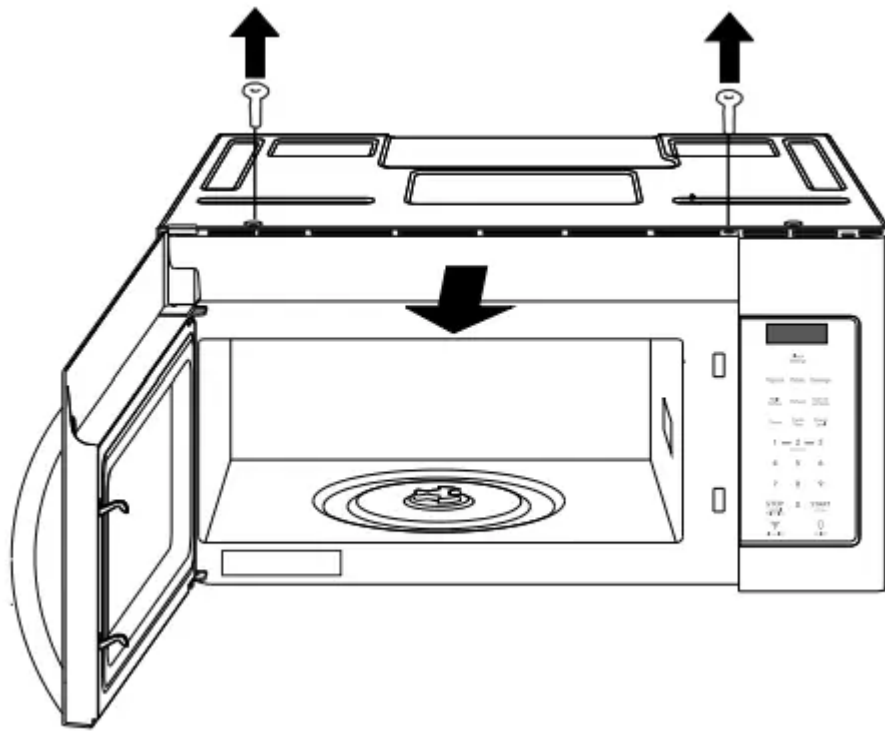
6. Re-install LED light cover and mounting screw

7. Plug the microwave back into the power supply or turn the power back on at the main circuit breaker.

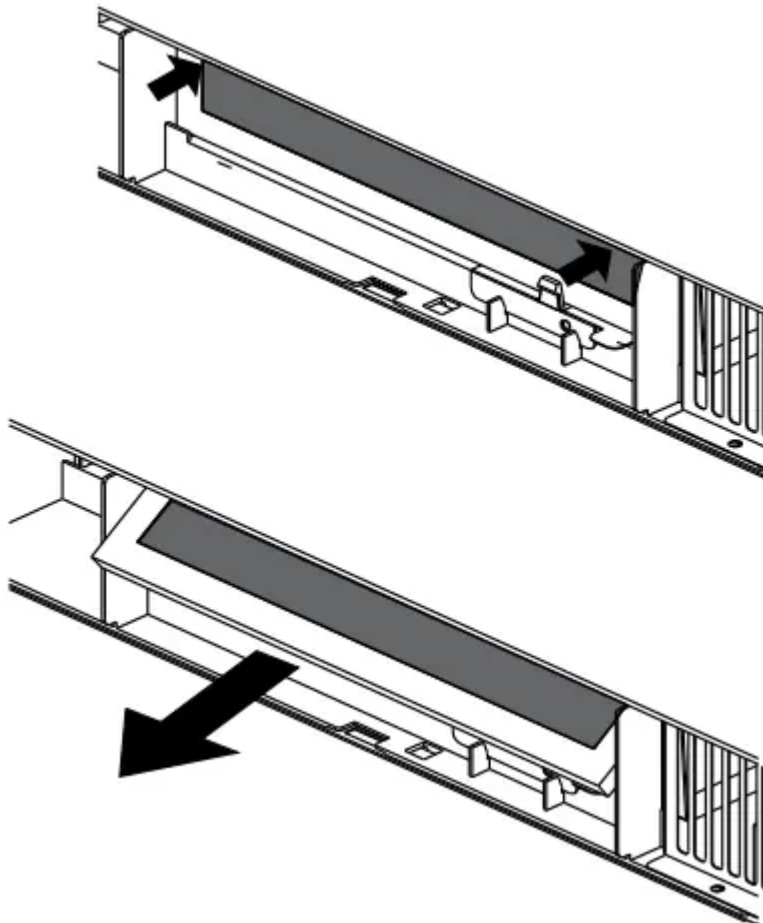
Charcoal filter replacement

Charcoal Filter when installed in your microwave oven, is used for nonvented, recirculated Installation. The filter should be changed every 6 to 12 months depending on use.

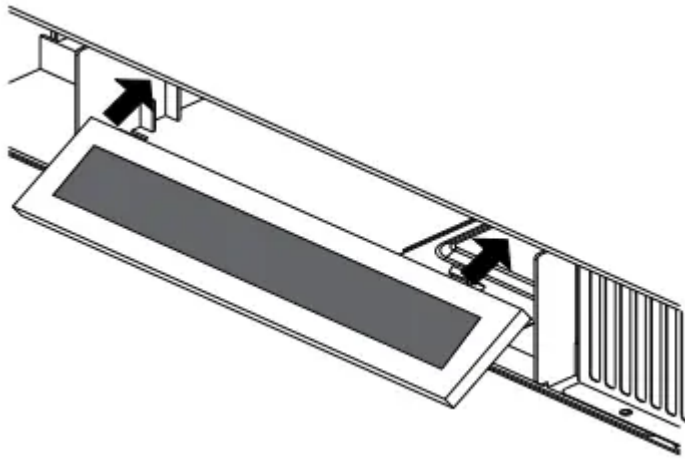
1. Disconnect power to the microwave oven at the circuit breaker panel or by unplugging it.
2. Remove the vent grill mounting screws.
3. Pull the vent grill away from the unit.



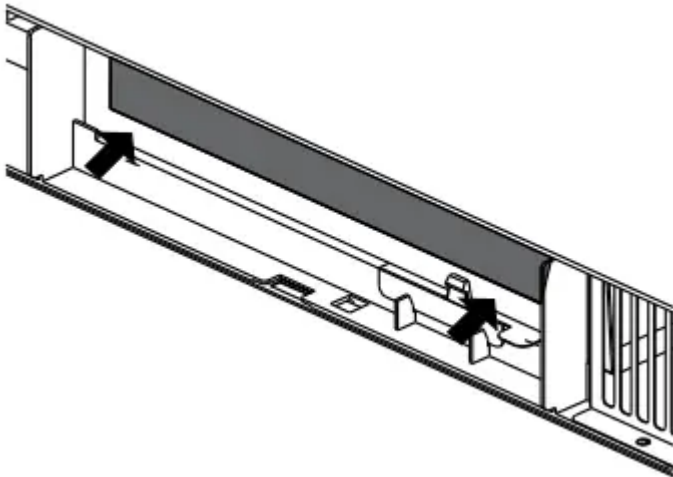
4. Remove the charcoal filter by pushing the top of the filter inwards, then pull it forward out from the unit.



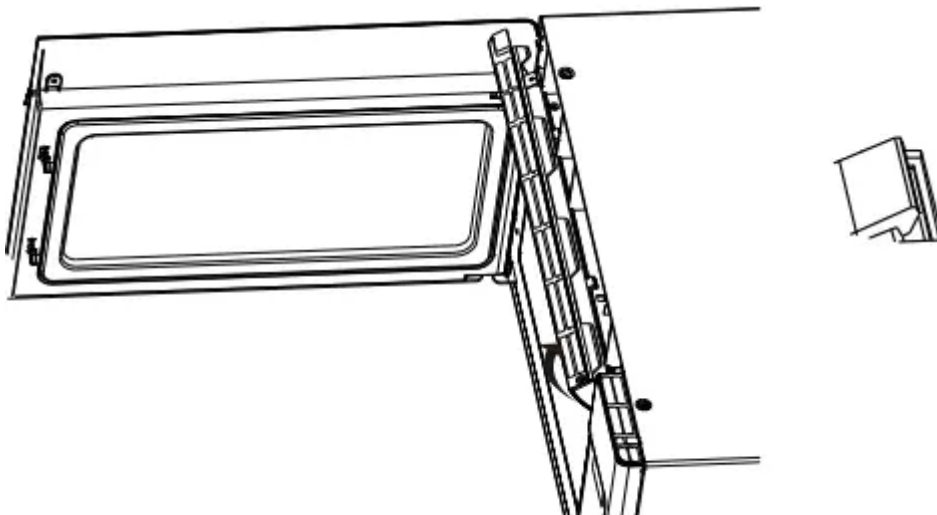
5. Slide the top of the new charcoal filter into ? the top area of the filter cavity.



6. Press the bottom of charcoal filter to place it into the correct position.



7. Put the vent grille bottom tabs into the slots then push the top of the vent grille into place.

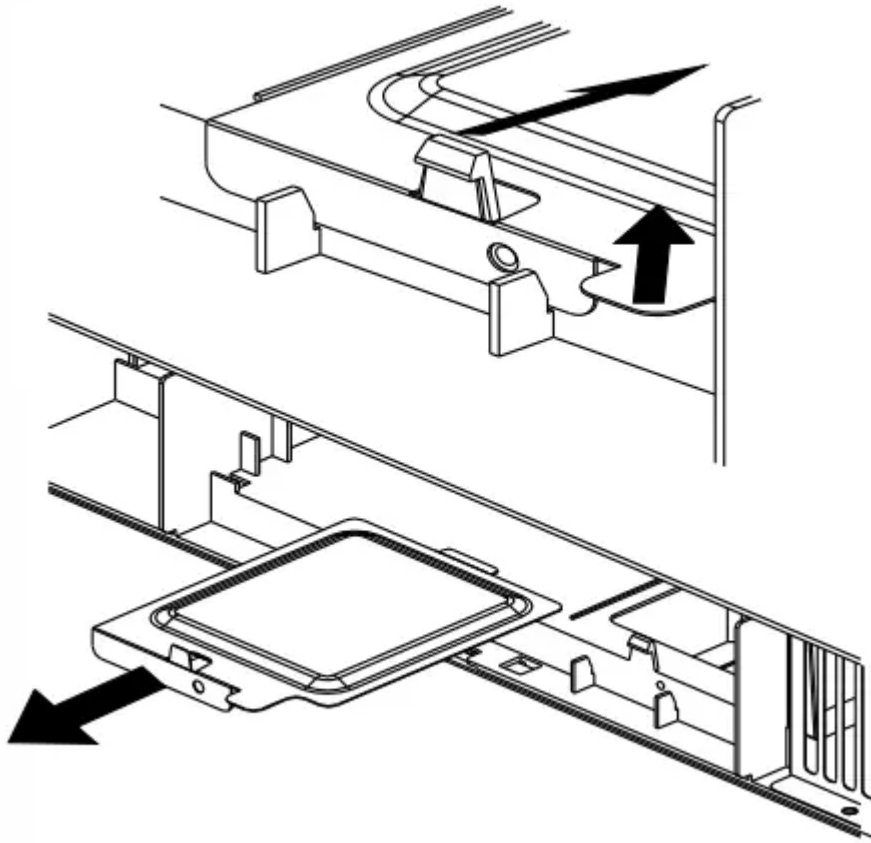


8. Reinstall the vent grille screws.

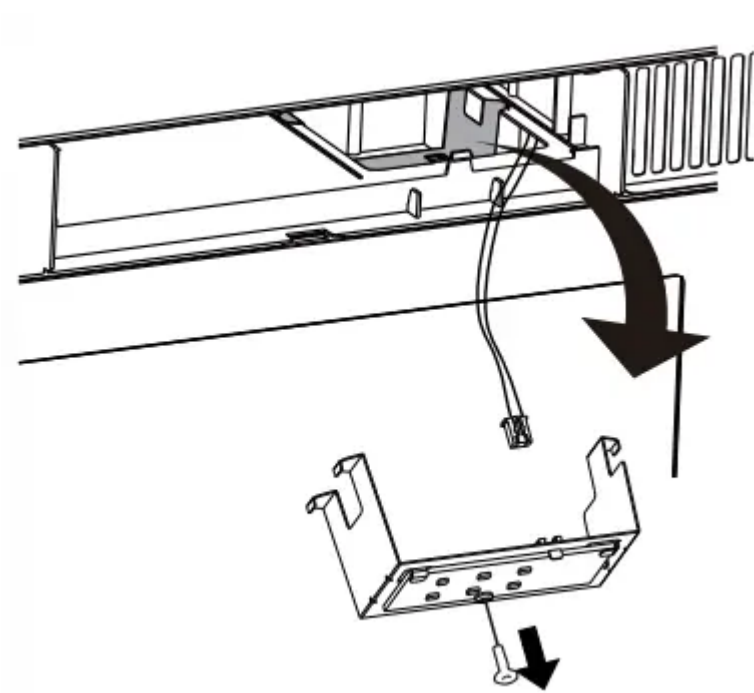
Oven light replacement

Remove the vent grill (see steps 1-4 in charcoal filter replacement section).

1. Remove the light cover by carefully pulling up on Remove the LED bracket and light assembly.

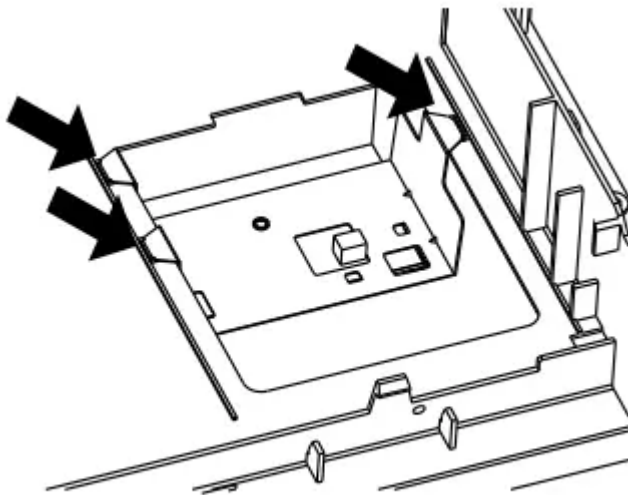


2. Remove the LED bracket and light assembly. Remove the LED light from the bracket by removing the mounting screw and replace only with part 5304499540. To order parts call 800-599-7569.

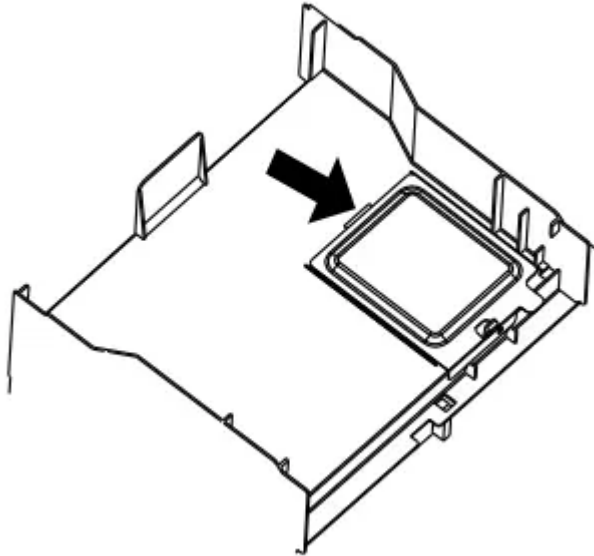


3. Re-install LED light to the bracket with mounting screw. When re-installing mounting screw be careful not to damage the LED light.

4. Reconnect LED light to the harness and place the LED light assembly back into the plastic housing.



5. Replace the microwave oven light cover by carefully pushing into place (make sure the light cover rear tab is inserted into slot at rear).



6. Replace the charcoal filter (if installed). Push the vent grill back into place (engaging both the bottom and top tabs) and replace the vent grill mounting screws.

SPECIFICATIONS

AC Line Voltage:	Single phase 120V, 60Hz, AC only
AC Power Required:	1550W 14.0 amps. (for FFMV1645T(S,H,D,B,W,Q,M) LFMV1645TF, CFMV1645T(S,B,W,D))
Output Power*:	1000 W
Frequency:	2450 MHz (Class B/Group2)**
Outside Dimensions (including handle):	29.88 "(W) x 15.04 "(D) x 15.75 "(H)
Cavity Dimensions:	20.24 "(W) x 9.25 "(D) x 14.43 "(H)
Microwave oven Capacity***:	1.6 Cu.Ft.
Cooking Uniformity:	Turntable
Weight:	Approx. (net) 52 lb, (gross) 58 lb
Work/Night Light:	1*1.5W LED, the part number is 5304499540.
Oven Light:	1*1.5W LED, the part number is 5304499540.

SERVICE CALL CHECK

Please check the following before calling for service: Place one cup of water in a glass measuring cup in the microwave oven and close the door securely. Operate the microwave oven for one minute at HIGH 100%.

- A** Does the microwave oven light come on?
- B** Does the cooling fan work? (Put your hand at top above Display.)
- C** Does the turntable rotate? (It is normal for the turntable to turn in either direction.)

D Is the water in the microwave oven warm?

If “NO” is the answer to any of the above questions, please check electrical outlet, fuse and/or circuit breaker. If they are functioning properly, CONTACT YOUR NEAREST ELECTROLUX AUTHORIZED SERVICER.

A microwave oven should never be serviced by a “do-it-yourself” repair person.

NOTES:

1. If time appearing in the display is counting down very rapidly, check Demonstration Mode.
2. If the oven is set for more than 30 minutes at 90 or 100 percent power level, after the first 30 minutes the power level will automatically adjust itself to 80 percent power to avoid overcooking.

Warning

This content is compiled from multiple sources and is provided for reference purposes only. It may not be complete or fully applicable to all situations. If you are unable to resolve your issue, please contact the product manufacturer or an authorized service provider for official support.

Document generated by [ManualsFile](#)

