

IMPORTANT SAFEGUARDS

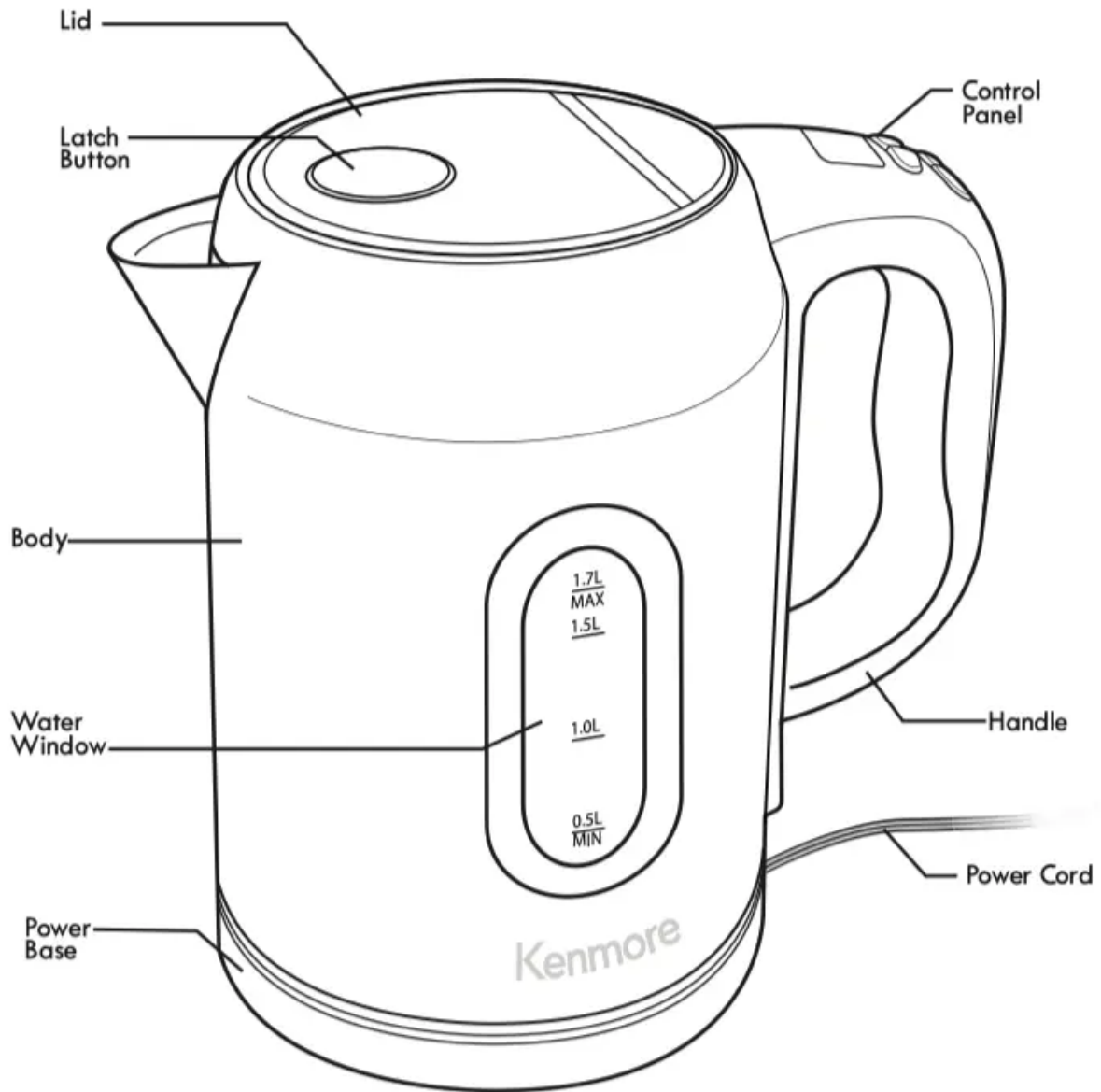
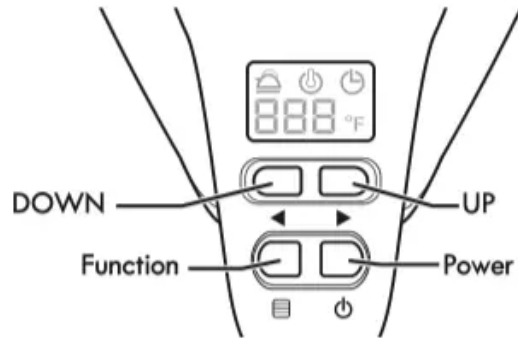
When using electrical appliance , the following basic safety precautions should always be followed :

1. READ all instructions.
2. Before use, check that the voltage power corresponds to the one shown on the appliance rating label.
3. Unplug from outlet when not in use and before cleaning. Allow the appliance to cool down before cleaning the appliance.
4. DO NOT let cord hang over edge of the table or counter, or touch hot surface.
5. Put kettle on a warm-resistant and flat surface.
6. To protect against electric shock, DO NOT immerse cord, plug, power base and kettle in water or other liquid.
7. Close supervision is necessary when any appliance is used or near children.
8. DO NOT touch hot surface. Use handle or knobs only.
9. DO NOT operate any appliance with a damaged cord or plug or after the appliance malfunctions. Return the appliance to the nearest authorized service center for examination, repair or adjustment.
10. If the supply cord is damaged, it must be replaced by the manufacturer or its service agent or a similarly qualified person in order to avoid a hazard.
11. DO NOT use outdoors.
12. DO NOT use the appliance for other than intended use.
13. The kettle can only use with the stand provided.
14. If the kettle is overfilled, boiling water may be ejected.
15. Fill with proper amount of water, neither over the max-level nor lower than the min-level.
16. To protect against electrical shock, this appliance is equipped with a cord having a 3-prong grounding-type plug for insertion into a proper grounding-type receptacle. DO NOT alter the plug for use in a 2-prong receptacle. If the plug will not fit into a receptacle, have the proper receptacle installed by a qualified electrician.
17. Children should be supervised to ensure that they do not play with the appliance.
18. This appliance is for HOUSEHOLD USE ONLY.

SAVE THESE INSTRUCTIONS!

PARTS AND FEATURES

CONTROL PANEL



OPERATING YOUR TEA KETTLE

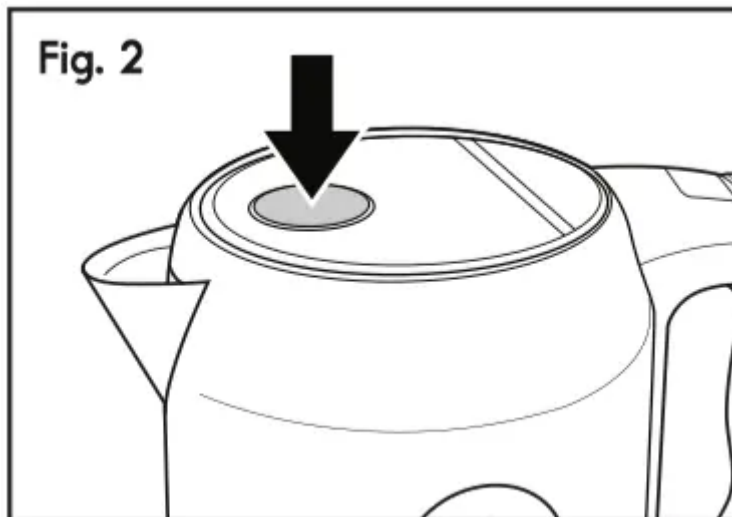
INITIAL USE

Before first use, run the kettle through several cleaning cycles following the instructions below to remove factory material or dust from the interior. Discard the water from these cleaning cycles.

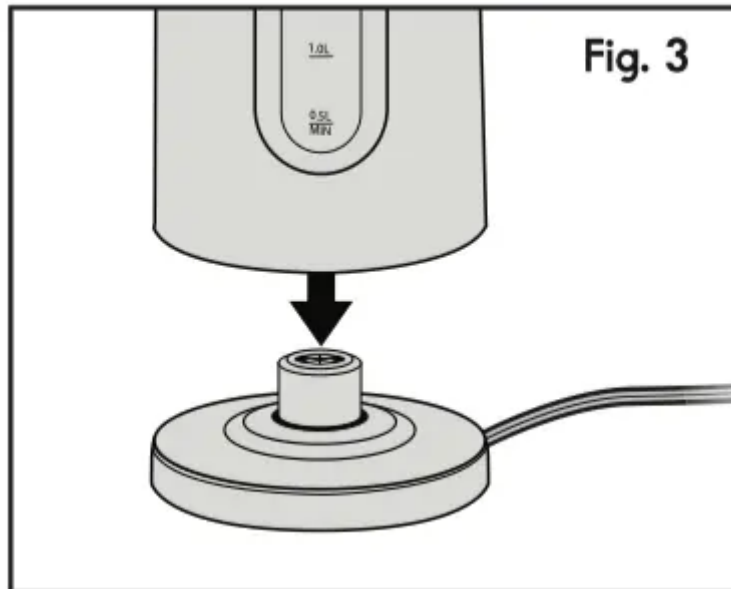
CAUTION: The filled water level must be between the Max and Min level as indicated on the housing. Too little water will do damage to the heat element. Water overfill may cause boiling water to overflow out of the kettle.





OPERATION

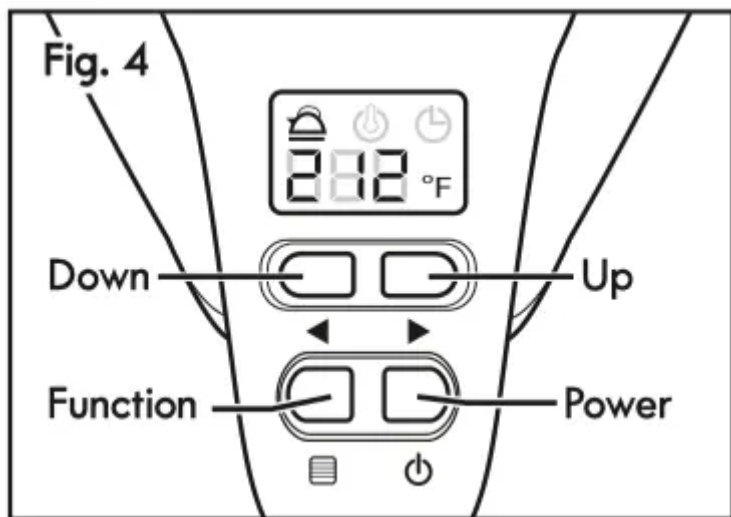
1. Raise Lid by pressing down on Latch Button in top of Lid (Fig. 2). Pour water into kettle to desired level and close Lid. Ensure that Lid Latch on kettle interior is not obstructed and that Lid completely closes.



2. Place kettle on Power Base (Fig. 3). Position kettle so that spout faces away from you.



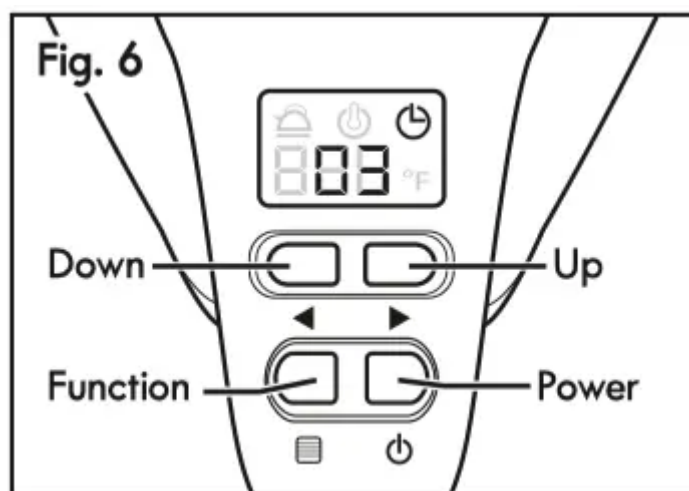
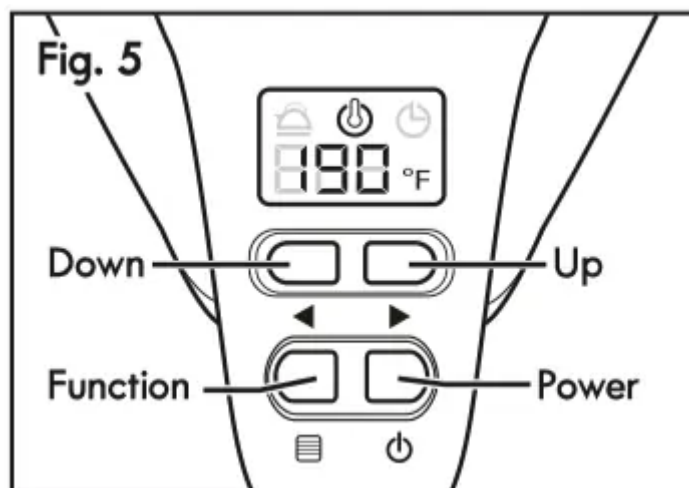
3. Plug kettle into a power outlet. The Control Panel Display will light up green for a few seconds to indicate electrical connection and then dim to gray until the next press of a button. The Display defaults to the Heat Water icon [] and 212°F (Fig. 4). Pressing the Function Button [] will display the Keep Warm icon [] and default temperature of 190°F (Fig. 5). Another press displays the Boil Extend icon [] and default time of 3 seconds (Fig. 6). Press the Power button to immediately begin heating to those default levels.



4. To adjust the Heat Water, Keep Warm and Boil Extend settings, press the Down or Up buttons when the function is selected in the display. Boil Extend adjustment is only available for 212°F Heat Water.

Note: Heat Water and Keep Warm adjust in 10°F increments to a minimum of 110°F. Boil Extend adjusts in 1 second increments to a maximum of 6 seconds.





5. When the settings are as desired, press the Power button to start heating. The Heat Water icon will start blinking, indicating that heating is underway. Once water reaches the temperature setting, the blinking Keep Warm icon will appear in the display, indicating the temperature at which the water will be kept. If the Heat Water setting is 212°F, the display will pass to the blinking Boil Extend icon before it passes to the Keep Warm icon.

Note: The Boil Extend function is for operation at high altitude locations, where water can begin to boil before it reaches the normal boiling temperature of 212°F. The extra 3 to 6 seconds that can be added to heating are so that water may heat to 212°F before the unit switches to Keep Warm.

6. When it is raised from the Power Base the kettle shuts off and all setting adjustments are canceled. The kettle reverts to the default settings once it is placed back onto the Power Base.

CAUTION: Be very careful when pouring water from kettle as boiling water can scald you. Also to avoid scalding, do not open the kettle lid while the water in the kettle is hot.

EMPTY-STOP-OFF FUNCTION

The kettle will turn off automatically if it boils empty. If this occurs, unplug the kettle and wait for it to cool down before using it again.

CARE AND CLEANING

WARNING:

- DO NOT immerse the tea kettle in water or any other liquid.
- ALWAYS UNPLUG the tea kettle from the electric outlet before cleaning.

In order to maintain the polish of the outer surface, do not use abrasive cleaner to wipe the housing.

Do not attempt to dismantle the kettle or power base. There are no user serviceable parts inside.

DE-SCALING

Periodical descaling is needed. The interval of descaling depends on the hardness of water in your living area and the frequency your using the kettle.

When scale becomes visible in the kettle, you have to de-scale it. To remove scale from the kettle interior, use liquid de-scaling product, or you can use vinegar.

1. Fill kettle to MAX line with water first, and add the de-scaling agent afterwards.
2. Add de-scaling agent according to the instructions that come with the product. When using vinegar, add 2 to 3 ml to the kettle.
3. Turn the ON/OFF switch to ON, and bring kettle to boil.

NOTE: The de-scaling mixture might froth during heating.

4. After de-scaling, rinse the kettle interior out twice with fresh water.

STORAGE

The kettle may be stored on the power base when not in use. But make sure the power cord is unplugged.

Note: Always disconnect the power supply when not use.

All other servicing to this appliance must be performed by a qualified service agent.

Warning

This content is compiled from multiple sources and is provided for reference purposes only. It may not be complete or fully applicable to all situations. If you are unable to resolve your issue, please contact the product manufacturer or an authorized service provider for official support.