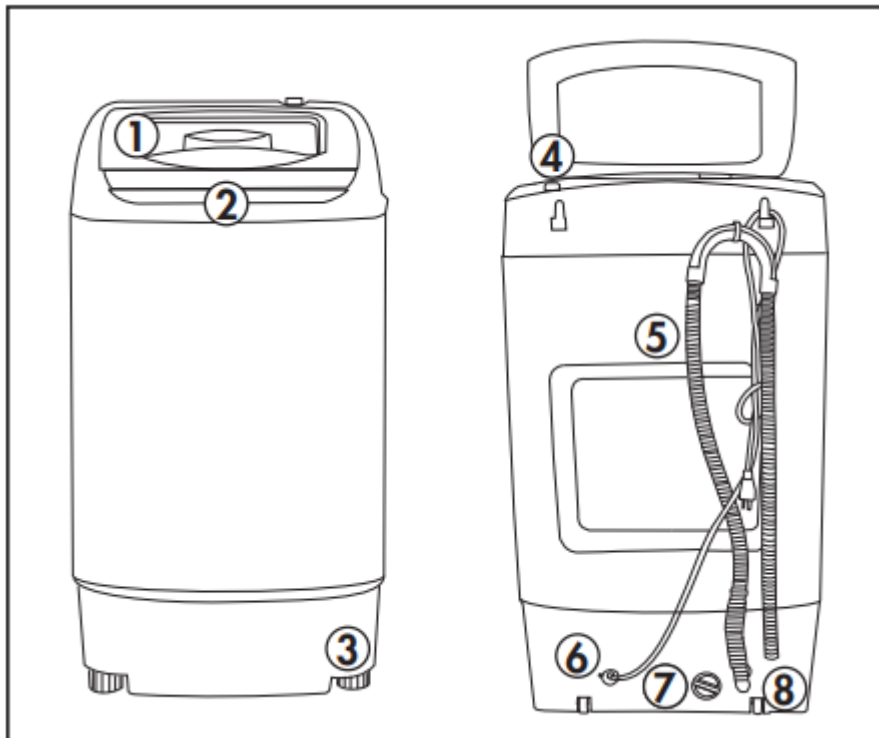


INSTALLATION INSTRUCTIONS

LOCATION

- Two people should be used when moving the appliance.
- Remove interior and exterior packaging prior to installation. Ensure that you do not discard the noise proof plate that is packaged on top of the appliance.
- Wipe the outside of the appliance with a soft, dry cloth and the inside with a lukewarm wet cloth. Do not spray the appliance with water.
- Place the appliance on a level floor that is strong enough to support it when it is fully loaded, in a room that has convenient access to a water supply and drain, has low moisture and humidity and does not freeze in winter.
- Do not place the appliance on carpeted flooring as this can block the lower ventilation openings.
- Keep the appliance away from heat sources and out of direct sunlight. Excessive heat or sunlight can deform or discolour the appliance.
- This appliance is intended for household use only. It is not designed for outside installation, including anywhere that is not temperature controlled such as garages, porches, vehicles, etc, because water lines may freeze.
- This appliance is intended for free-standing installation only and is not intended to be built into a cabinet or counter. Building in this appliance can cause it to malfunction.

FEATURES



1. Lid
2. Control panel
3. Adjustable foot
4. Water inlet
5. Drain hose
6. Power cord
7. Water pump filter
8. Rollers

LEVELING INSTRUCTIONS

It is important that the appliance is level to help avoid unbalanced loads and excessive noise.

The leveling foot is located on the front right side of the appliance. There is a solid foot on the front left side of the appliance and there are two rollers on the back.

1. Turn the leveling foot counter-clockwise until the top of the foot is touching the bottom of the cabinet.
2. Slowly turn the leveling foot clockwise until the appliance is level.

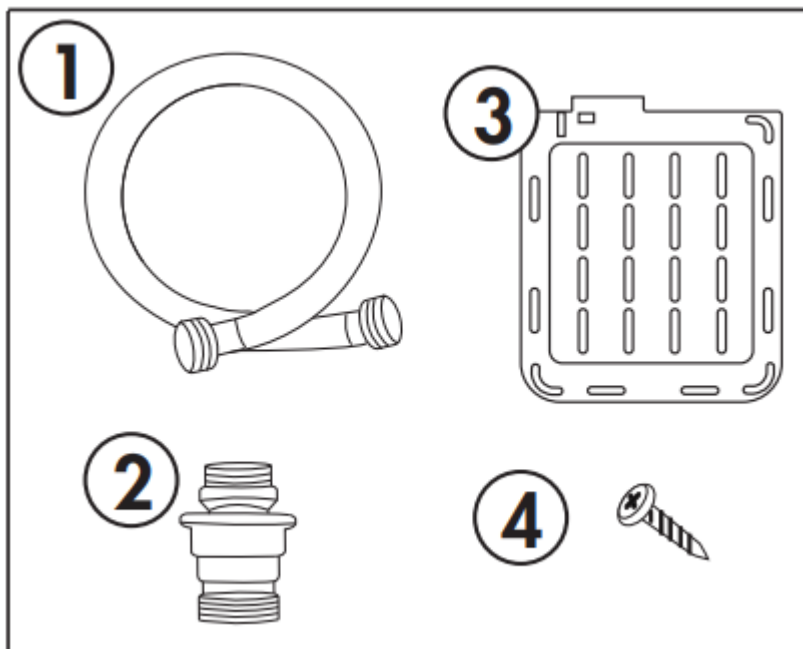
ACCESSORIES AND PREPARATION

You will need the following tools to install the washer:

- Wrench
- Pliers
- Screwdriver

Ensure that all provided accessories are present and accounted for:

- 1.One water supply hose
- 2.One quick connect adapter
- 3.One noise proof plate
- 4.One screw



NOISE PROOF PLATE INSTALLATION

The noise proof plate will help to muffle excessive noise from the appliance during agitation. Follow the steps below to install the noise proof plate.

1. Remove the noise proof plate from the packaging. It will be shipped on top of the appliance at the top of the box.
2. Slide the noise proof plate into the channel in the base of the appliance and secure with the provided screw.

WATER SUPPLY

The water supply faucet must fit standard 3/4" (19.05 mm) female garden hose couplings. Do not use slip-on or clamp-on connections as the water pressure may cause them to leak.

Tighten all connections by hand until they are snug and then tighten them another quarter turn with a wrench to ensure they are secure.

Check all connections for leaks before using the appliance. If leaks are detected, it may be necessary to add a rubber washer or Teflon tape to the connection.

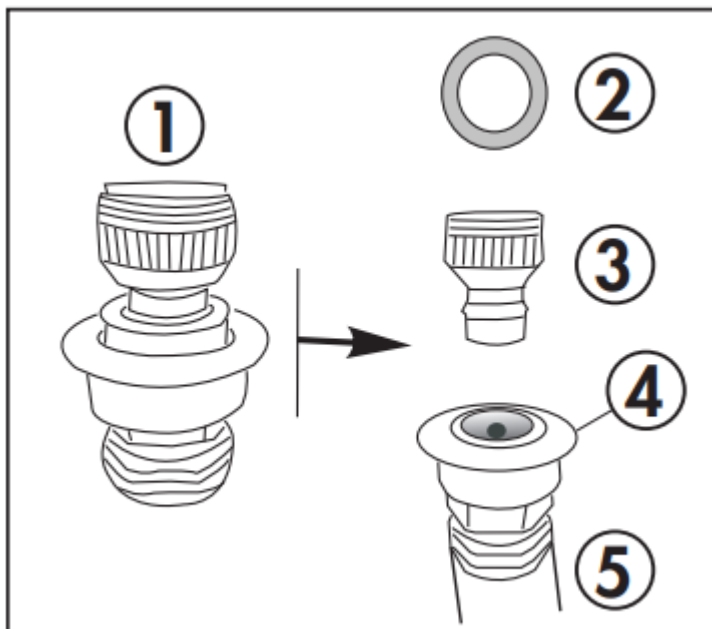
The water inlet hose should always be connected to a cold water supply.

Using the quick connect assembly

The quick connect assembly can be used to connect the appliance to a kitchen or bathroom faucet to provide water to the appliance.

A breakdown of the quick connect assembly is below.

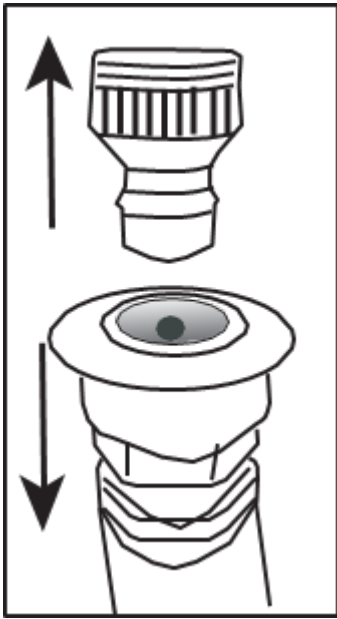
1. **Quick connect assembly**
2. **Rubber washer**
3. **Faucet adapter**
4. **White locking collar**
5. **Water inlet hose**



Connecting the quick connect to the water supply

Remove the aerator from the faucet before attaching the faucet adapter.

Pull down on the locking collar and pull up on the faucet adapter to remove the adapter from the assembly and then install the adapter on the faucet.



Turn on the faucet to check for leaks at the connection before continuing. If leaks are present, it may be necessary to wrap the faucet adapter or the faucet with Teflon tape before connecting the adapter to the faucet.

Pull down on the locking collar and push the quick connect assembly onto the bottom of the faucet adapter. Release the locking collar to attach the quick connect to the faucet.

Attach one end of the water inlet hose to the quick connect assembly. Place the other end of the hose in the sink and turn on the water supply to clear the hose of any dust. When the water runs clear, turn off the water supply and connect the hose to the water inlet connection on the top of the appliance.

DRAIN HOSE INSTALLATION

The drain hose will arrive pre-attached to the appliance. During operation of the appliance, the drain hose should be directed toward a sink or drain to catch the discarded water as it exits the appliance.

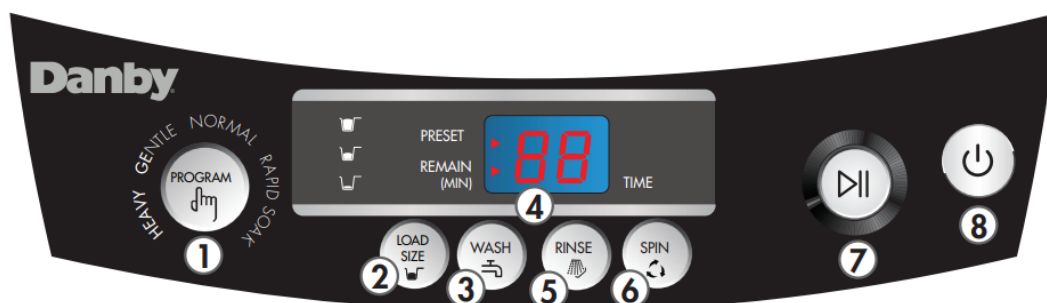
When running the drain hose to a drain, ensure that there are no bends in the hose as this can cause a blockage and impede the drain function.

The drain hose can be directed upward toward a sink or bucket but ensure that the hose does not rise more than 100 cm (39 in) from the ground as this can impact the drain function.

OPERATING INSTRUCTIONS

CONTROL PANEL

- 1. Program button:** Press this button to select the desired wash program: heavy, gentle, normal, rapid, soak.
- 2. Water level button:** Press this button to choose the desired water level: small, medium, large.
- 3. Wash button:** Press this button to select the washing time.
- 4. Display panel:** The display will show the estimated minutes remaining in the current cycle.
- 5. Rinse button:** The rinse cycle will run for 10 minutes. Press this button to select how many times the rinse cycle will run.
- 6. Spin button:** Press this button to select the spin cycle time.
- 7. Start/pause button**
 - Press this button to start a chosen program.
 - Press this button during operation to pause a program.
 - Press this button to restart a program that has been paused.
- 8. Power button:** Press this button to turn the appliance on or off.



DETERGENT

This appliance is designed for high efficiency powder detergent. It is recommended to use 1/4 to 1/2 of the amount of detergent recommended by the detergent manufacturer. Remember to reduce the amount of detergent if the load is small or lightly soiled or if the water supply is very soft water.

Detergent can be placed directly into the washer tub. Do not pour liquid bleach directly onto the wash load as this can damage fabric.

PROGRAM SELECTION

Use the instructions below to choose the desired program.

1. Press the program button to choose the wash program.

- Heavy:** For heavily soiled clothing.
- Gentle:** For delicate clothing.
- Normal:** For normally soiled clothing.
- Rapid:** For small loads or lightly soiled clothing.
- Soak:** For stained clothing.

2. Press the water level button to choose the water level.

- Large:** For a full load.
- Medium:** For a half load.
- Small:** For a small load.

3. Press the wash button to choose the length of the wash program, between 0 and 15 minutes.

4. The rinse cycle will run for 10 minutes. Press the rinse button to choose how many times the rinse cycle will run, between 0 and 4 times.

5. Press the spin button to choose the length of the spin program, between 0 and 9 minutes.

6. Press the start/pause button to begin the wash program. The estimated time remaining will show on the display panel. The program can be paused at any time by pressing this button.

FUNCTION INSTRUCTION

Prior to starting a new program, check the following:

- The drain hose is in the correct position.
- There are no leaks in the inlet hose when the faucet is turned on.
- The power cord is properly plugged into a three prong grounded outlet.
- All coins and loose items have been removed from clothing.
- Place clothing into the washing machine. Drop items loosely into the tub. Do not pack items tightly. Items must be able to move freely through the wash water for best cleaning results.
- Follow the instructions to set the desired wash program.
- Close the door and press the start/pause button to begin the desired program.
- A wash program can be paused once it is in operation by pressing the start/pause button.
- The appliance will not operate if the door is open.
- The appliance will not operate if the door is open.

CARE & MAINTENANCE

CLEANING

Before performing any cleaning or maintenance, ensure that the water inlet hose has been disconnected and that the power cord has been unplugged.

Clean the outside of the appliance with a warm, damp cloth. Avoid using detergents or chemicals as this can damage or discolor the cabinet.

LINT FILTER

The lint filter is on the interior of the wash tub and should be cleaned approximately every 10 cycles. Remove the lint filter from the tub, open it and remove any lint that has accumulated. It can be rinsed under cold water but do not use detergents or chemicals. Ensure that the lint filter is replaced in the appliance before beginning a new program.

PUMP FILTER

The pump filter is on the back of the appliance and should be cleaned once a month. Remove the filter from the rear of the appliance and rinse it under cold water. Ensure the pump filter is replaced in the appliance before beginning a new program.

WATER INLET

The water inlet may require periodic cleaning to remove debris or hard water build up. Ensure the water inlet hose has been disconnected from the appliance. Remove the filter screen from the inlet valve and remove any debris or hard water build up. The filter screen can be rinsed under cold water to remove any build up. Ensure that the filter screen is replaced in the water inlet valve before reattaching the water inlet hose.

VINEGAR RINSE

A rinse of vinegar and water can be run through the washing machine to remove any stains on the inner tub or any lingering odors.

Place 1/2 cup of vinegar in the washing machine and choose the highest water level. Allow the appliance to run a full wash program with no laundry to remove stains and odors.

ERROR CODES

E1 - No water flow

- Check that the water source is turned on.
- Check the water pressure.
- Check that the water inlet filter screen is clean.

- Check that the drain hose is installed correctly.

E2 - Lid is open

- Check that the lid is completely closed.

E3 - Load is unbalanced

- Ensure that the laundry load is balanced.

E4 - Drain valve malfunction

- Check if the drain is clogged.
- The drain motor may not be operating correctly.

E5 - Water level sensor malfunction

- Contact a service technician.

TROUBLESHOOTING

PROBLEM
Washer does not operate
No water or insufficient water supply
The washing machine does not drain
Washing machine vibrates or is too noisy
Washing machine does not spin
Water filling and draining at the same time
Cabinet leaking from bottom

Warning

This content is compiled from multiple sources and is provided for reference purposes only. It may not be complete or fully applicable to all situations. If you are unable to resolve your issue, please contact the product manufacturer or an authorized service provider for official support.

Document generated by [ManualsFile](#)

