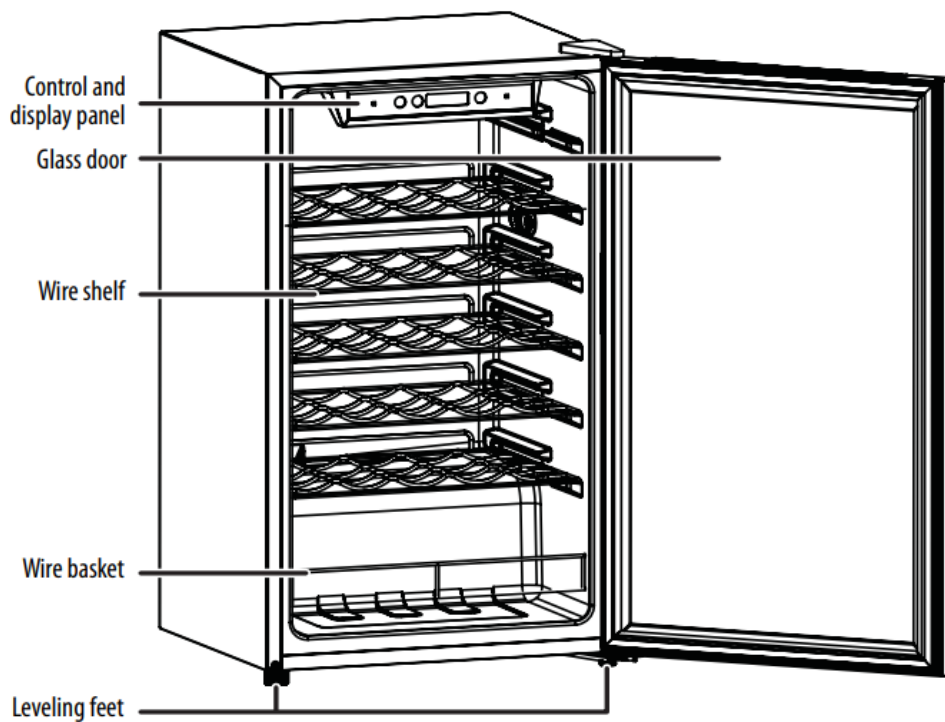


USER MANUAL 29-Bottle Wine Cooler

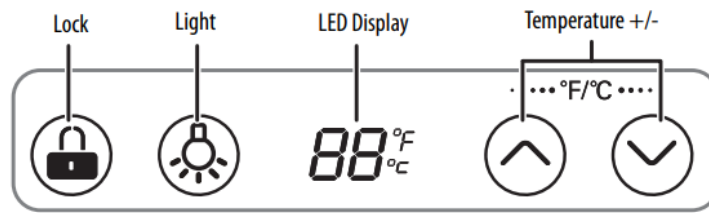
Features






- 29-Bottle capacity
- Temperature range from 41° to 65° F (5° to 18° C)
- Touch controls and LED display
- Interior white LED light
- Reversible door
- Removable shelves

Components



Control and display panel



BUTTON	FUNCTION
	Press to lock or unlock the control panel.
	Press to turn the interior light on or off.
	Press to increase the temperature by one degree.
	Press to decrease the temperature by one degree.
	Press and hold both buttons at the same time to switch between Fahrenheit and Celsius.

Setting up your wine cooler

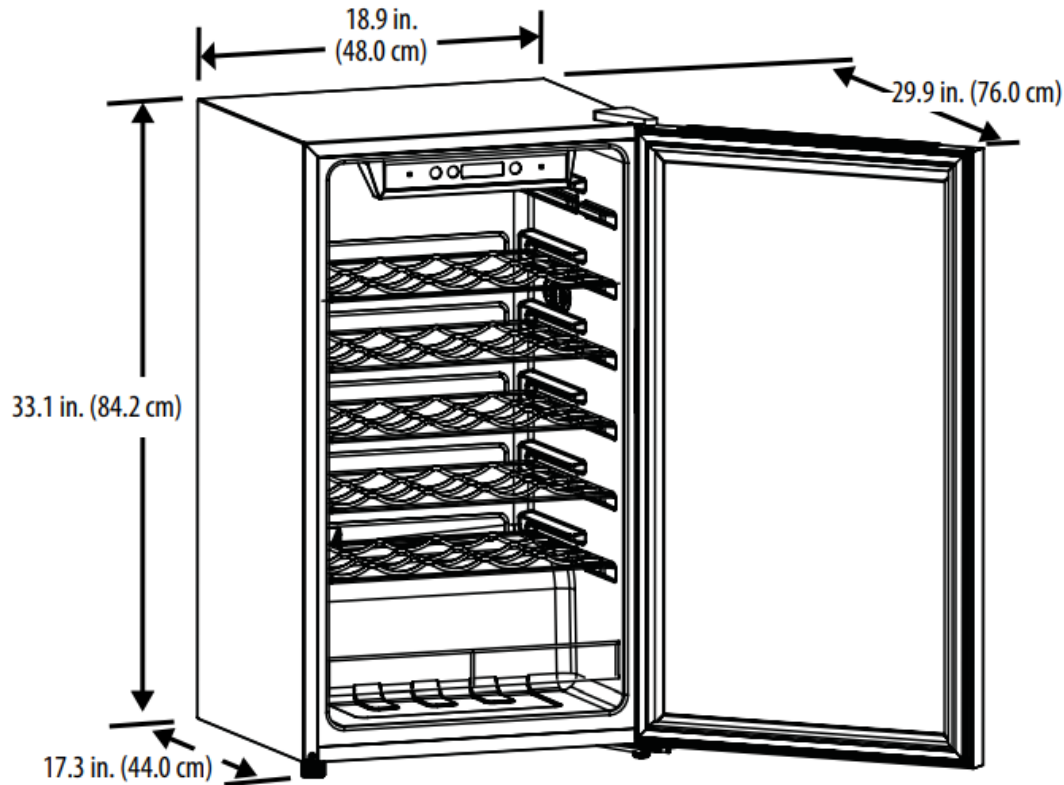
Before using your cooler

- Remove the exterior and interior packaging.
- Let the cooler stand upright for approximately half an hour before connecting it to power. This reduces the possibility of a malfunction in the cooling system from improper handling during transportation.
- Clean the interior surface with a damp, warm cloth.

Finding a suitable location

- This cooler is designed to be free standing only, and it should not be recessed or built into a countertop or wall.
- Place your cooler on a floor, counter top, or cabinet that is strong enough to support the cooler when it is fully loaded.
- Allow 1.6 in. (4 cm) of space on all sides of the cooler to allow for proper air ventilation.
- Place the cooler away from direct sunlight and sources of heat (stove, heater, radiator, etc.). Direct sunlight may affect the acrylic coating and heat sources may increase electrical consumption. Ambient temperature below 50°F (10°C) or above 85°F (29.4 °C) will hinder the performance of this cooler. This cooler is not designed for use in a garage or any other outside location.
- Avoid placing the cooler in moist areas.

- This unit is not designed to be installed in an RV or used with an inverter.
- Do not stack your cooler.
- For your cooler to operate normally, avoid placing it in areas with high magnetic fields or high humidity.



Leveling your cooler

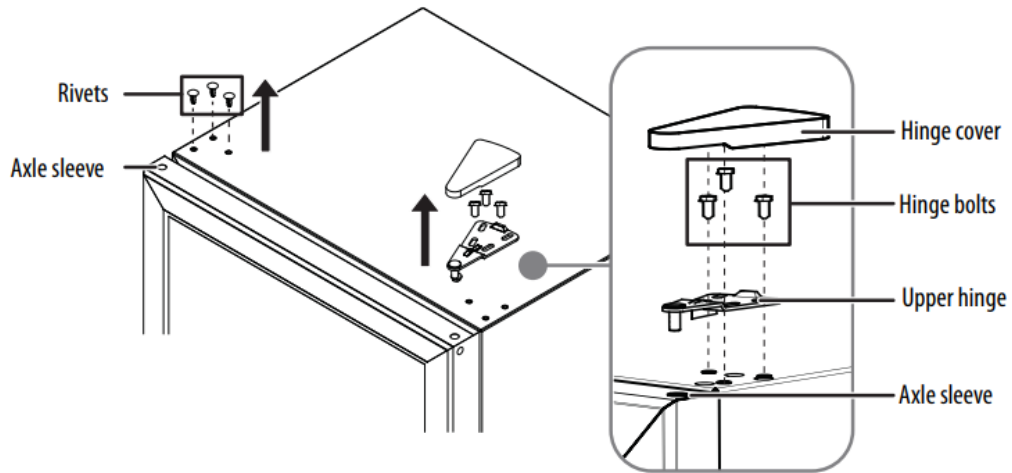
- It is very important for the cooler to be level in order to function properly. If the cooler is not leveled during installation, the door may not close or seal properly, causing cooling, frost, or moisture problems.
- To level your cooler, you may turn either leveling foot clockwise to raise that side of the cooler or turn it counter-clockwise to lower that side.

Reversing the door

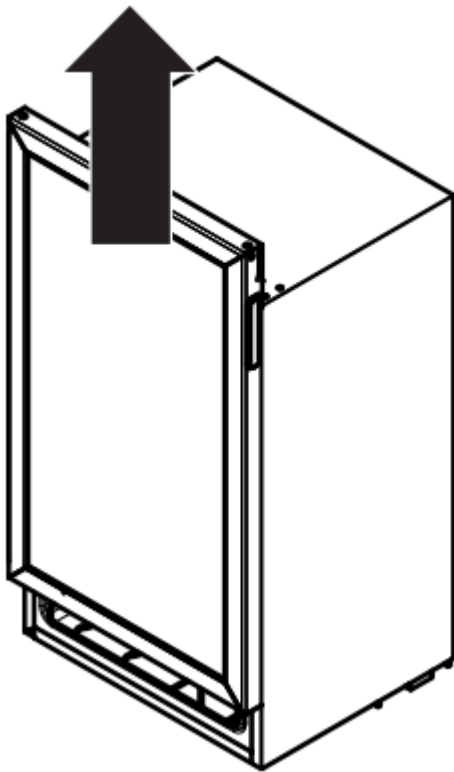
You will need a 10 mm socket wrench and a Phillips screwdriver. Have someone available to assist you in the process. Make sure that you keep all of the parts you remove to reuse them later.

1. Make sure that your wine cooler is unplugged and empty.
2. Adjust the leveling feet to their highest position.
3. Use a blade to remove the rivets.
4. Use a blade to remove the hinge cover, then use a Phillips screwdriver to remove the hinge bolts.

5. Remove the upper hinge.

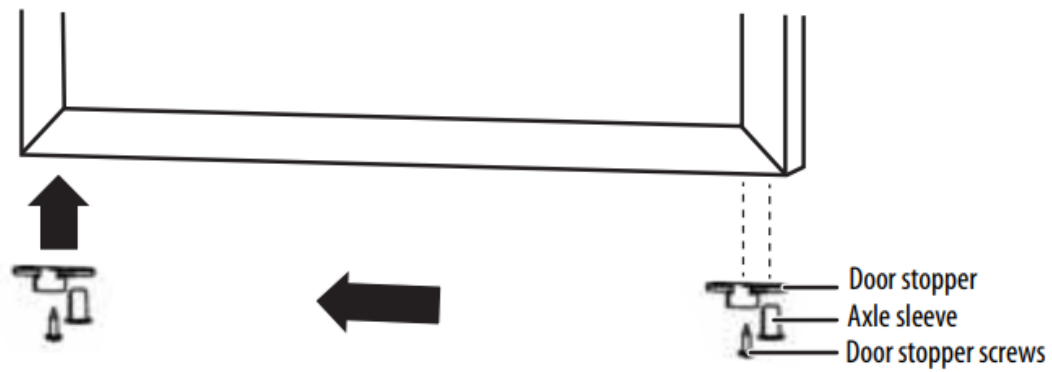


6. Remove the door from the wine cooler.

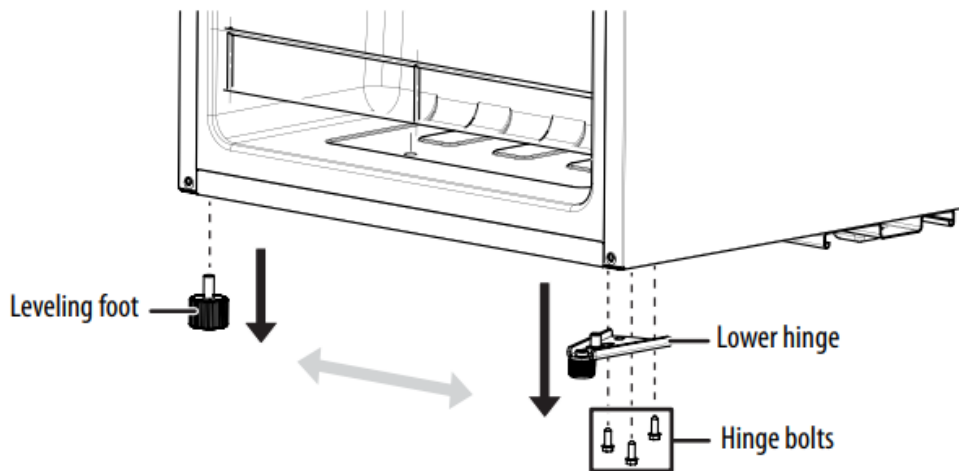


7. Use a Phillips screwdriver to remove the door stopper screws, then remove the door stopper.

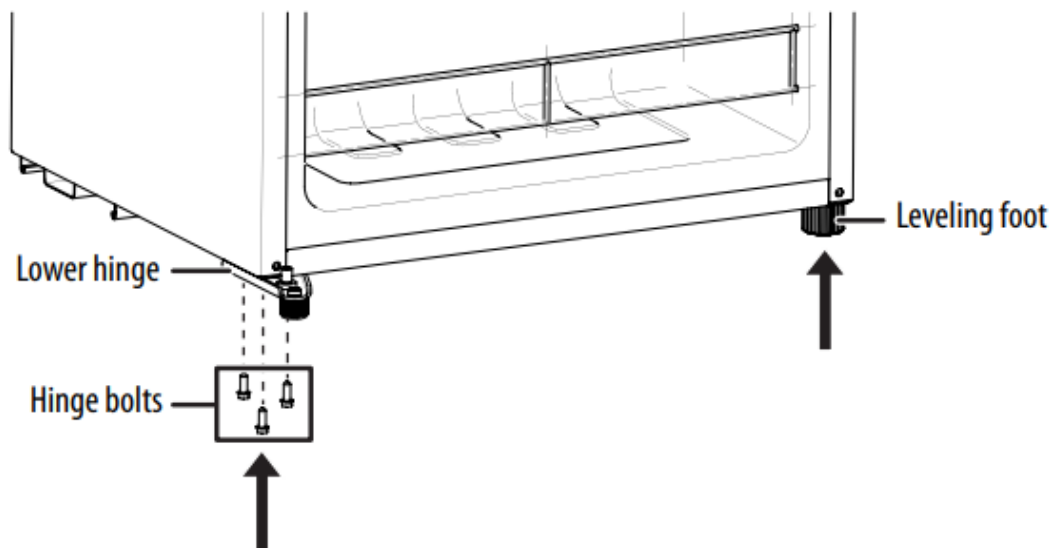




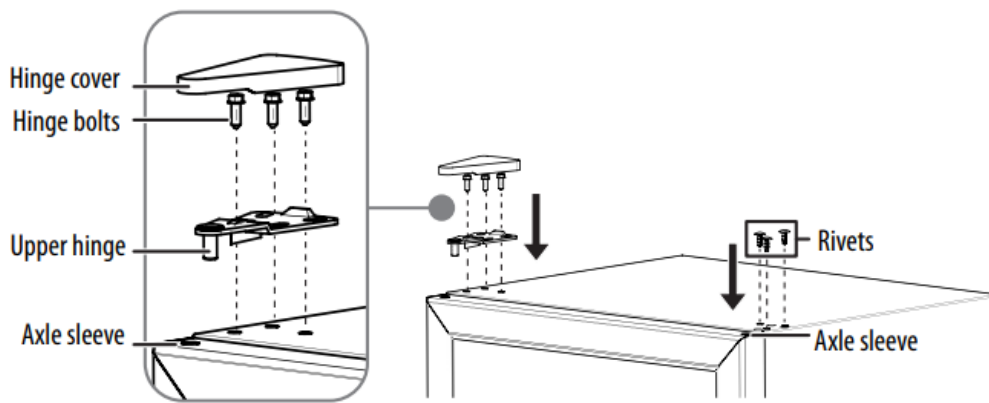
8. Use a Phillips screwdriver to remove the hinge bolts, then remove the lower hinge and the leveling foot.



9. Attach the lower hinge and leveling feet to the opposite sides of the wine cooler.



10. Replace the glass door, then reinstall the upper hinge. Make sure that you align the door and check the tightness of the door gasket.



11. Adjust the leveling feet to level the cooler.

Grounding requirement

This cooler must be grounded. This cooler is equipped with a cord having a grounding wire with a grounding plug. The plug must be inserted into an outlet that is properly installed and grounded.





Consult a qualified electrician or service person if the grounding instructions are not completely understood, or if doubt exists as to whether the cooler is properly grounded.

Connecting to power

- Plug the appliance into a dedicated, properly installed grounded wall outlet. This appliance should be operated on a separate electrical circuit from other operating appliances.
- Plug in and run your cooler for three to four hours before making any temperature adjustments and before adding wine. This allows your cooler to reach a stable temperature.
- Do not use an extension cord with this cooler. If the power cord is too short, have a qualified electrician install an outlet near the cooler. Use of an extension cord can negatively affect the cooler's performance.

Using your wine cooler

Setting the temperature

- Press the temperature up  or down  buttons to increase or decrease the temperature by one degree. The temperature range is 41–65° F (5–18° C).
- Press and hold the temperature up  and down  buttons at the same time to switch between Fahrenheit and Celsius.


Memory function

If you experience a power outage, when your cooler is turned on again it resumes the same temperature that was set when the power went off.


Using the display

- When you plug in your cooler for the first time, the display screen turns on for three seconds, and you hear a start-up tone.
- When you lock your cooler, the display turns on when a button is pressed. It turns off after 30 seconds if no buttons are pressed.
- In normal mode, the display shows the set temperature.

Lighting your cooler

- Press the light button  to turn the light on or off. A beep sounds when the light is turned on or off.

Locking and unlocking your wine cooler

- Press the lock button  to lock or unlock the control panel.

Using the wine shelves

- All of the shelves have tabs to engage the cabinet on both sides.
- Any of the shelves can be removed to accommodate larger bottles.

To remove a shelf:

1. Remove all bottles from the shelves.
2. Lift the shelf upward and then gently pull out the shelf.

To replace a shelf:

- Place the sides of the shelf back onto the supporting guides of the cabinet and push back until the shelf tabs slide into place.

Arranging your wine

In order to maintain good air circulation in the cooler, do not let the bottles touch the back of the cooler.

Different temperature zones are generated within the cooler due to air circulation. The upper area's temperature is the highest while the lower area is the lowest.

It is best to store different types of wine within the cooler, in the following sequence, from top to bottom:

- Strong red wine
- Pink and mild red wine
- White wine
- Champagne and spritzer

Serving and storage tips

We suggest that you pour wine at a temperature below the ideal serving temperature, because the wine warms up quickly after it's been poured into a glass.

WINE TYPE	IDEAL SERVING TEMP
Red Bordeaux	64.4° F (18° C)
Côtes du Rhône red/Barolo Louis Family dry red wine/Barolo	62.6° F (17° C)
Burgundy red	60.8° F (16° C)
Port	59° F (15° C)
Young Burgundy Red	57.2° F (14° C)
Young Red Wine	53.6° F (12° C)
Young Beaujolais/All White Wines (low sugar)	51.8° F (11° C)
Old White Wines/Chardonnay	50° F (10° C)
Sherry	48.2° F (9° C)
Young White Wines (late vintage)	46.4° F (8° C)
White Wines Loire/Entre-deux-Mers	44.6° F (7° C)

- Do not store bottled wine by the box or case in the cooler.
- The cork of an opened bottle should always be moistened when returning it to the bottle.
- Red wine should be allowed to breathe (oxygenate) before drinking. We suggest that you put pink/rose type wines onto the table two to five hours before drinking and red wine four to five hours before drinking. That also allows them to reach the suitable serving temperature. White wine, on the other hand, can be served right away.
- Champagne should always be stored in the cooler and taken out immediately before drinking.

Maintaining your wine cooler

Your cooler is designed for year-round use with only minimal cleaning and maintenance.

When you first receive it, wipe the cabinet with a mild detergent and warm water, then wipe dry with a dry cloth. Do this periodically to keep your cooler looking new.

Cleaning the interior of your cooler

1. Unplug your cooler from the wall outlet.
2. Remove all beverages.
3. Wash the interior with a damp, warm cloth.

4. Clean the door gasket (seal) so the door closes properly.
5. Dry the interior and exterior with a soft cloth.

Defrosting your cooler

The ice build-up on the inner back wall of your cooler will automatically be defrosted in a compressor-off cycle.

Defrost water will drain out of the cooler, passing through the drain outlet in the inner back wall into a drain pan located above the compressor. The water will evaporate from the drain pan on its own.

Storing your cooler

1. Turn off the cooler and unplug it from the wall outlet.
2. Remove all beverages.
3. Clean the cooler.
4. Leave the door open slightly to avoid possible formation of condensation, mold, or odor.

WARNING: Make sure that children do not have access to your wine cooler. If the door accidentally closes while a child is inside your cooler, the child may suffocate.

Moving your wine cooler

Note: Make sure that the cooler stays in the upright position during transportation.

1. Turn off the cooler and unplug it from the wall outlet.
2. Remove all beverages.
3. Securely tape down all loose items inside your cooler.
4. Tape the door shut.

Tips on saving energy

- Locate your cooler in the coolest area of the room, away from heat-producing appliances or heating ducts, and out of direct sunlight.
- Do not overload the cooler. It forces the compressor to run longer.
- Do not open the door too often, especially if the weather is very hot. Close the door as soon as possible to prevent cool air from escaping.
- Make sure that the door seals completely to keep your cooler running efficiently.
- Make sure that the appliance is sufficiently ventilated, with adequate air circulation behind it.

Troubleshooting

Error codes

If a fault is detected, the display shows one of the following codes:

- **E1:** Temperature sensor fault
- **E4:** Defrost sensor fault

If any of these error codes appears on the display, contact your local dealer or service center. Do not try to repair the cooler yourself.

PROBLEM	SOLUTION
The cooler does not operate.	<ul style="list-style-type: none"> • Make sure that the cooler is plugged in and that the plug is pushed completely into the outlet. • Check the house fuse/circuit breaker box and replace the fuse or reset the circuit breaker. • If a power failure occurs, the cooler turns off. Wait until the power is restored, then turn it on again.
The cooler door does not close completely	<ul style="list-style-type: none"> • Adjust the shelf properly. • Clean the door gaskets. • Level the cooler with the leveling feet.
The cooler is not cold enough.	<ul style="list-style-type: none"> • Make sure that the door is closed properly. • Allow time for new beverage(s) to cool, then check again. • Set the control to a colder setting.
The cooler makes unusual noises or vibrates.	<ul style="list-style-type: none"> • Level the cooler with the leveling feet. • Move the cooler out from the wall. • This is normal.
Moisture is building up in the interior of the cooler.	<ul style="list-style-type: none"> • Make sure that the door is closed properly. • Move the cooler to a dryer location.
The cooler turns on and off frequently	<ul style="list-style-type: none"> • Make sure that your cooler is in a room that is 50– 85 °F (10–29.4 °C) or place your cooler in a cooler location. • Make sure that the door is closed properly. • Clean the door gaskets. • Set the control to a colder setting.



Specifications

Dimensions (HxWxD)	33.1 × 18.9 × 17.3 in. (84.2 × 48.0 × 44.0 cm)
Weight	66.1 lbs (30 kg)
Power requirements	115V~60Hz-65W
Current	0.8A
Ambient operating temperature	54–109°F (12–43°C)
Cooler temperature range	41–65°F (5–18°C)
Power cord length	5.4 ft. (1.65 m)

Warning

This content is compiled from multiple sources and is provided for reference purposes only. It may not be complete or fully applicable to all situations. If you are unable to resolve your issue, please contact the product manufacturer or an authorized service provider for official support.