

USER MANUAL WI-FI PROFESSIONAL WEATHER STATION

QUICK SETUP

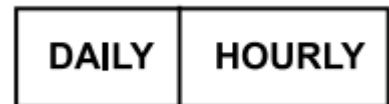
1. Insert 2 - C batteries into your LTV-W1 Wind Sensor.
2. Insert 2 - AA batteries into your LTV-R2 Rain Sensor.
3. Insert 2 - AA batteries into your LTV-TH2 Thermo-Hygro Sensor.
4. Insert the power cord into your C83100 station. Remove the red insulation tab from the CR2032 battery compartment found on the bottom of your station.
5. Insert batteries into your Bonus Station.
6. Download the La Crosse View™ App (App Store or Google Play)
7. Follow along with our instructional videos to connect your station to the app
8. Mount your sensors in appropriate locations.

BUTTON FUNCTIONS

Buttons located on top of Profesional Weather Station

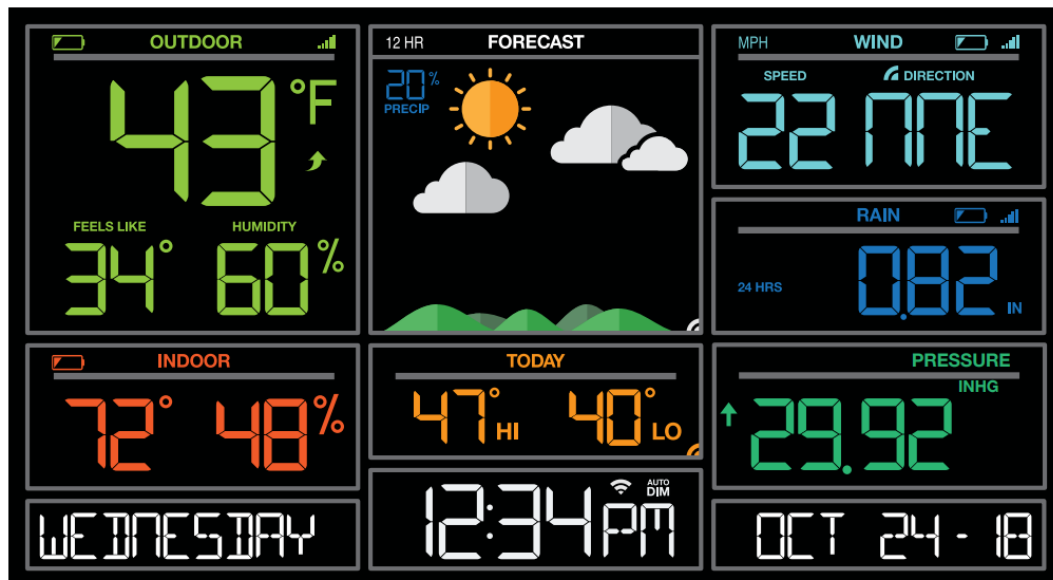


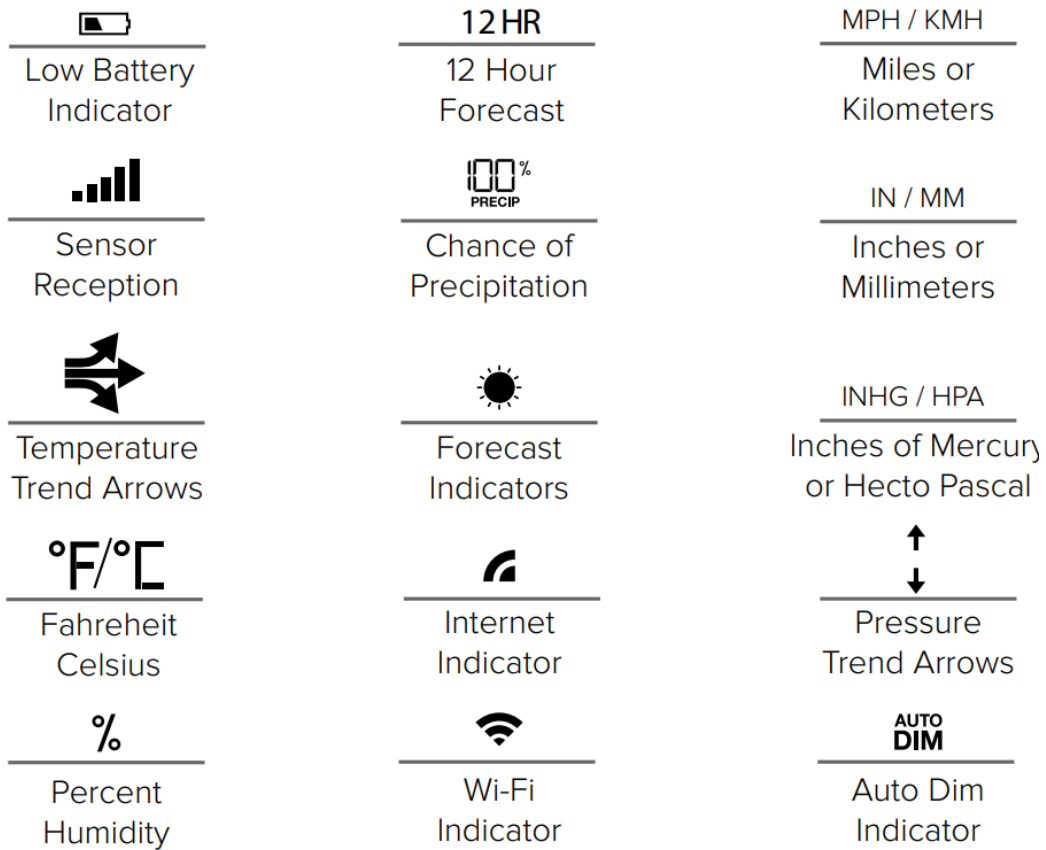
Buttons located on the right side of Profesional Weather Station



SET	Hold for basic setting. Press to view Wi-Fi status.
TEMP, WIND, RAIN	Press to view history.
LIGHT	Press to adjust brightness. Hold to set Auto Dim.
+ or –	Use + or – to adjust values in settings.
+ & –	Hold both buttons to search for Wi-Fi.
SENSOR	Press to view sensor ID numbers, then hold PLUS (+) to search, or hold MINUS (-) to remove.
DAILY, HOURLY	Press to see forecast. Must be connected to Wi-Fi.
RAIN & LIGHT	Hold both buttons together to reset all sensor ID's and Wi-Fi settings.
EXTRA SENSOR	Press to toggle through “extra sensor” & Barometric Pressure. Hold to add Sensors.

WEATHER STATION ICONS





EXTRA SENSOR AREA ICONS:

- The Extra Sensor area of your station will default to Pressure when you first power up.
- When you choose to add additional sensors, the Sensor Reception Indicator will show in the upper left corner whether Pressure or Sensor reading is displayed.
- Press and release the EXTRA SENSOR button to view all additional sensors.



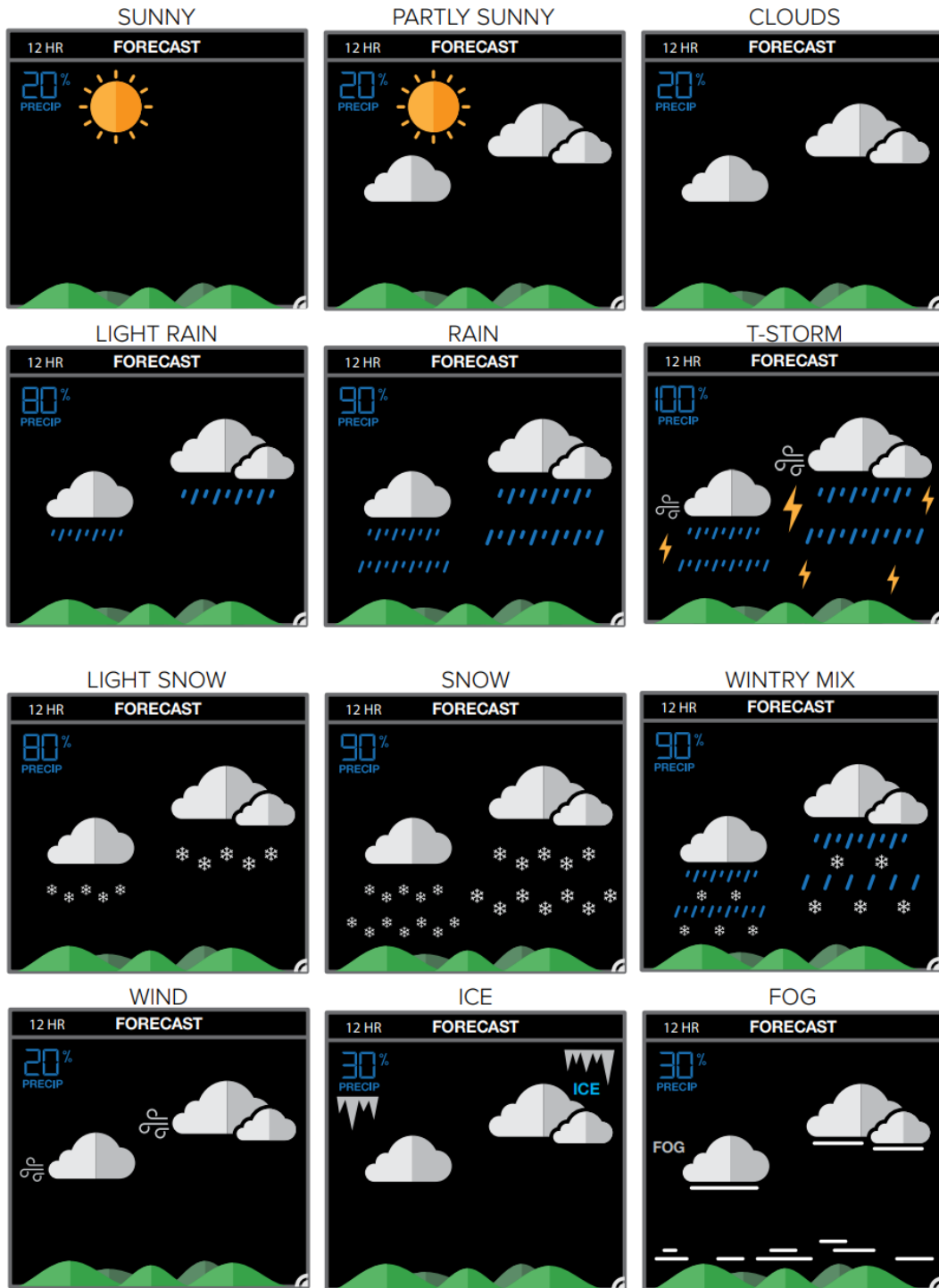
ENHANCED LACROSSE VIEW CONNECTED FEATURES.

- Advanced Forecast Icons & Chance of Precipitation (12 Hour Forecast)



- AccuWeather Daily & Hourly Forecasts
- AccuWeather HI/LO Temperatures
- AccuWeather Wind Direction
- Custom Data Streams

ADVANCED FORECAST & CHANCE OF PRECIPITATION



ACCUWEATHER DAILY FORECASTS

Press the DAILY button on the side of your station to scroll through 7 days of future forecasts. You'll see changing forecast icons, HI/LO Temperature readings.

IMPORTANT: After viewing your Daily Forecast, the display will automatically revert back to the default 12 hour forecast after 10 seconds



ACCUWEATHER HOURLY FORECAST

Press the HOURLY button on the side of your station to scroll through 12 hours of future forecasts. You'll see hourly changes in:

- Weather Icons
- Chance of Precipitation
- Temperature
- Wind Direction

IMPORTANT: After viewing your Hourly Forecast, the display will automatically revert back to the default 12 hour forecast after 10 seconds.



Note: If you press the HOURLY or DAILY button when not connected, station will say CONNECT TO WIFI. If your station is connected, but happens to lose connection with the weather service, it will say WAIT FOR WEATHER when your HOURLY or DAILY button is pushed.

ACCUWEATHER HI/LO TEMPERATURES

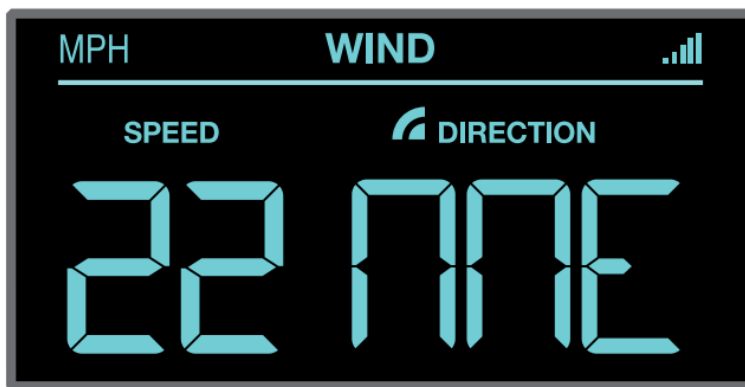
TODAY Shows



Internet Indicator will appear in bottom right corner when connected.

- When connected, your daily AccuWeather HI/LO Temperature predictions will display in this section.
- If unconnected, this section will display your Outdoor Temperature Records registered daily by your Thermo-Hygro Sensor. These will automatically reset at Midnight everyday

ACCUWEATHER WIND DIRECTION



Internet Indicator Appears and Wind Direction replaces Top 1HR

CUSTOM DATA STREAMS

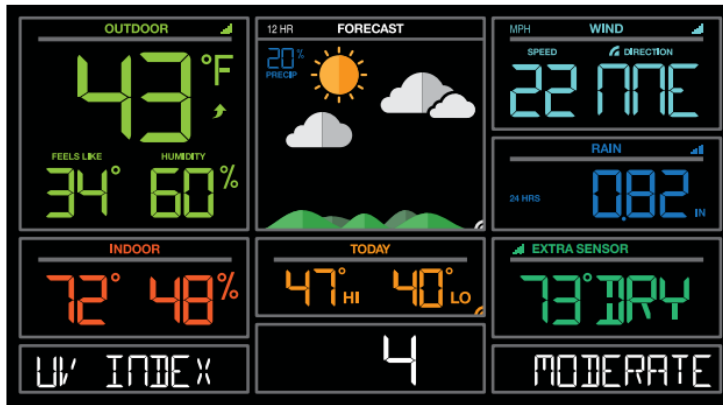
Use the Data Stream Menu in the La Crosse View™ app to select up to 3 items to stream on your station.

1. Open the La Crosse View™ app and swipe until you find your station's device page.
2. Scroll down to the Data Stream section and press the blue stream icon in the upper right.



3. Follow the app's instructions to customize your "Data Stream" to display on your station

Note: Allow up to 10 minutes for new Data Stream selections to appear on your station.



Custom Data Stream

ADDITIONAL SENSORS CAN READ TO YOUR APP

How to add Sensors to your La Crosse View App only:

1. Install batteries in the sensor, and if the sensor has a TX button, press the TX button to force a signal.
2. Scan sensor bar code ID so it will read in the La Crosse View app.

Details: Open your La Crosse View app to add sensors. Watch the video for adding devices to the La Crosse View app

1. From Main Menu - select "Devices" under "Add/Edit"
2. On Edit Devices page - select "ADD DEVICE"
3. Scan Device ID - Scan the bar code on your sensor or choose "ADD MANUALLY" to type in the number on the bar code. Select "CONTINUE".
4. On Confirm Device page - Confirm the sensor image and select "YES"
5. On Enter Device and Location Name page - enter Device Name and select a location or enter a Location Name for your sensor. Select "DONE".

Repeat steps 1-5 for any additional sensors you wish to add.

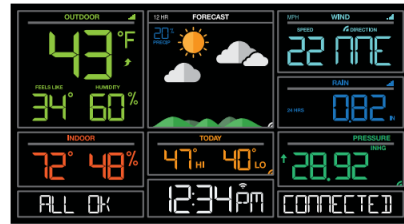
STATUS MESSAGES WHEN CONNECTED

Status Messages on you station will let you know if there are issues.

Press and release the SET button to view the status of your station.

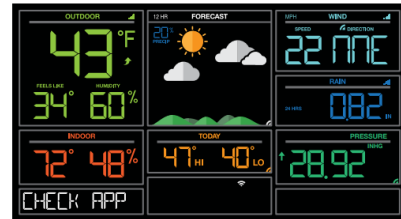
ALL OK CONNECTED

- Station is connected all the way through to the La Crosse View app.



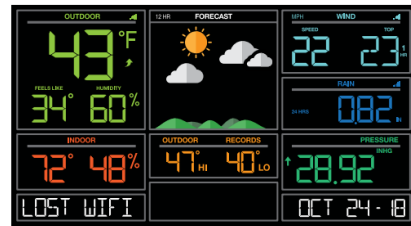
CHECK APP

- The Wi-Fi router connection is working.
- Check your connection to the La Crosse View app.
- Check Notifications in the La Crosse View app
- Is there an update to install?



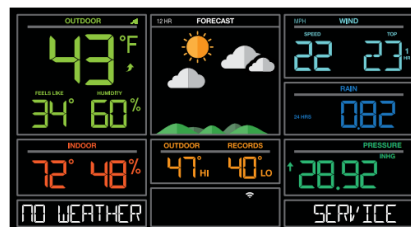
LOST WIFI

- Check your power cord connection (power cord required to connect)
- When trying to reestablish your station's Wi-Fi connection, be sure your mobile device is on the same 2.4GHz network you want your station to use.
- Check your network connection.
- Hold the + and – buttons together for 3 seconds to search for Wi-Fi.



NO WEATHER SERVICE

- Wi-Fi, and App are fine.
- Weather/Time service not connecting. This will be resolved at the Weather Server. Please be patient.
- Weather Forecast, Precipitation and Weather HI/LO temperature will not be displayed.



FEATURES OF YOUR WEATHER STATION

Your station provides most functionality when connected to the La Crosse View app. However it is fully functional as a standalone station.

Here we have included the details for various functions of your station:

- Adjustable Backlight
- Auto Dim Backlight
- Settings Menu
- Extra Sensor Area
- Wind Speed Readings and History
- Rainfall Readings and History
- Temperature/Humidity Readings and HI/LO Records
- Feels Like Temperature
- Temperature Trend Arrows
- Relative Barometric Pressure
- Low Battery Indicators
- Sensor Reception Indicator
- Sensor ID's and Sensor Search
- Delete Sensor
- Factory Restart Station
- Bonus Station

ADJUSTABLE BACKLIGHT

Your station has 5 levels of brightness for the backlight:

- Press and release the LIGHT button to adjust the backlight at 5 levels of intensity.

Levels: OFF = 0% | level 1 = 1.5% | level 2 = 20% | level 3 = 50% | level 4 = 100%.

AUTO DIMMING BACKLIGHT

You can set your backlight to automatically dim to level 1 at a set hour for sleeping, then automatically return to full brightness when you wake.

Set Auto Dim (Hour only):

1. Hold the LIGHT button 2 seconds to enter dimmer set mode. AUTO DIM OFF will show.

2. Press the + or – buttons to turn dimmer (ON). AUTO DIM ON will show.

3. Press the LIGHT button to select start time (Hour) for dimmer. AUTO DIM START TIME and the hour will flash.

4. Press the + or – buttons to change the hour for the dimmer to be low light level.

5. Press the LIGHT button to select start time for dimmer to be on High light level. AUTO DIM STOP TIME and the hour will flash.

6. Press the + or – buttons to change the hour for the dimmer to be high light level.

7. Press the LIGHT button to confirm exit.

Note: Hold LIGHT button at any time to exit dimmer settings.



Note: If you press the LIGHT button to manually adjust the backlight, the Auto Dim feature will resume at the next scheduled time to dim.

SETTINGS MENU

1. Hold the SET button for 3 seconds to enter settings menu.

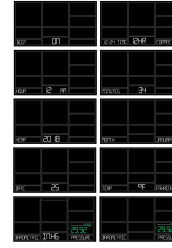
2. Press and release the + or - buttons to adjust the flashing values. Hold to adjust quickly.

3. Press and release the SET button to confirm and move to the next item.

Note: Press and release the LIGHT button any time to exit settings.

Settings menu order:

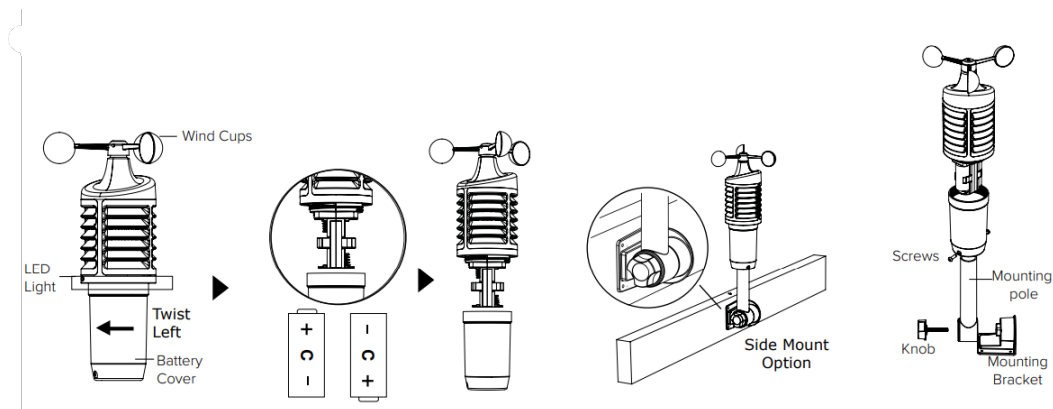
- BEEP ON | OFF
- 12/24 hour format
- Hour
- Minutes
- Year
- Month
- Date
- Temperature Fahrenheit | Celsius
- Pressure: InHg / hPa
- Pressure number setting



DETAILED SETUP & MOUNTING

LTV-W1 Wind Speed Sensor

1. Turn the battery cover of your wind sensor to the left.
2. Install fresh “C” batteries.
3. Carefully align and turn battery cover right to tighten.
4. There is a blue LED light on the sensor that will flash when transmitting.



Mounting:

- Position in an open area that will have the least amount of interference with wind speed.
 - Mount your sensor vertically with the wind cups on top.
 - The maximum wireless transmission range to the station is up to 400 feet (121 meters) in open air, not including walls or trees.
1. Use screws through the bottom of the mounting bracket to attach.

2. Insert bottom of pole into mounting bracket. Tighten knob to secure
3. Insert the included mounting pole into your sensor.
4. Tighten screws.

Alternatively:

1. Insert your own mounting pole (no more than 1 inch outside diameter”) into the sensor.
2. Tighten screws

LTV-R2 Rain Sensor:

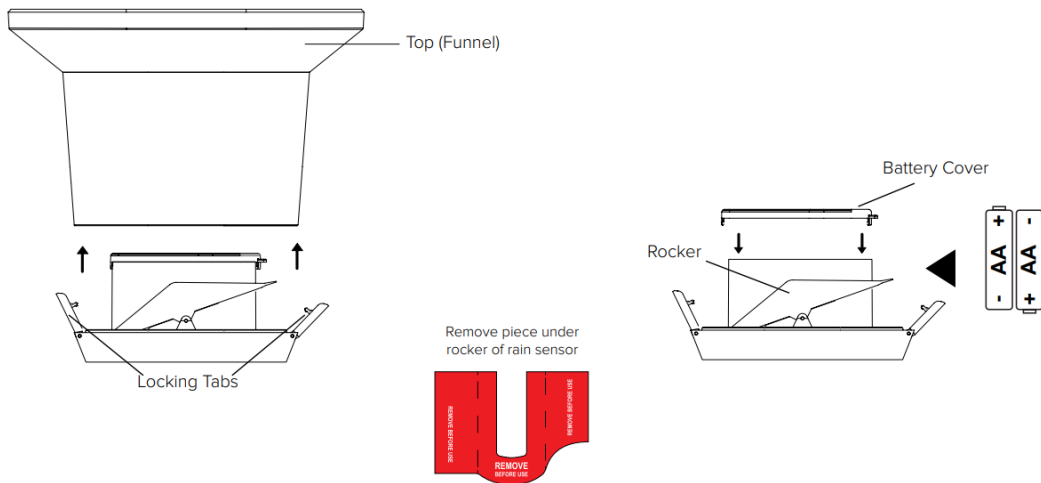
1. Flip open both locking tabs on your rain sensor and lift off the funnel portion.
2. Pull up on the battery cover and remove.
3. Install 2-AA batteries according to polarity.
4. Reposition the battery cover over the battery compartment, and firmly push down to lock it back into place
5. Remove cardboard and any tape around the rocker before use. These were used to protect the sensor from unwanted movement during shipping.
6. Place the funnel portion back over the sensor and re-secure the locking tabs.

Mounting:

1. Mount in an open area, on a stationary level platform for a more accurate rain count.

Note: Avoid placing the bottom of the rain sensor in a depression that would not allow proper water drainage.

2. Insert the mounting screws through the holes in the bottom of your rain sensor. Do not over tighten.
3. Mount your rain sensor at least 3 feet and optimally 6 feet in the air and in direct line of sight to your station.
4. Your rain sensor should be accessible to allow for periodic cleaning of debris or insects.
5. The maximum wireless transmission range to your station is up to 400 feet (121 meters) in open air, not including walls or floors.



SPECIFICATIONS

Indoor

C83100 Temperature Range:	32°F to 99°F (0°C to 37°C)
LTV-D1 Temperature Range:	32°F to 122°F (0°C to 50°C)
Both Stations Humidity Range:	10% RH to 99%RH
C83100 Relative Pressure:	23.62 to 32.48 InHg (800 to 1100 hPa) Pressure is measured every 12 minutes

Thermo-hygro Sensor

Temperature Range:	-40°F to 140°F (-40°C to 60°C) Note: Temperatures below -20°F (-29°C) require Lithium batteries in the outdoor sensor.
Humidity Range:	10% RH to 99%RH
Transmission Range:	Up to 400 feet (121 meters) in open air, RF 915 MHz

Wind Speed Sensor

Wind Speed Range:	0-111 mph (0-178 kmh)
Transmission Range:	Up to 400 feet (121 meters) in open air, RF 915 MHz

Rain Sensor

Rainfall Range:	0-393.6 inches (0-9999 mm)
Transmission Range:	Up to 400 feet (121 meters) in open air, RF 915 MHz

Wi-Fi

Transmission:	RF 2.4 GHz
----------------------	------------

Power

C83100 Station:	5.0 Volt power cord included (Required) AC6: XH0500-600W (Input 100-240V)
Battery Backup:	CR2032 battery included, backup for time and date
LTV-TH2 Thermo-hygro Sensor:	2-AA batteries included
LTV-W1 Wind Speed Sensor:	2-C batteries included
LTV-R2 Rain Sensor:	2-AA batteries included
LTV-D1 Bonus Station:	2-AAA batteries included

Battery Life

C83100 Station:	over 24 months with power cord use
LTV-TH2, LTV-W1, & LTV-R2 Sensors:	over 24 months with reputable batteries.
LTV-D1 Bonus Station:	over 12 months with reputable batteries.

Dimensions

C83100 Station:	8.22" W x 1.18" D x 5.83" H (22.88cm W x 3.0 cm D x 14.81cm H)
LTV-TH2 Thermo-hygro Sensor:	1.97" W x 0.75" D x 5.73" H (5.0cm L x 1.91cm W x 14.55cm H)
LTV-W1 Wind Speed Sensor:	7.10" W x 7.10" D x 18.57" H (18.03cm L x 18.03cm W x 47.17cm H) with mounting bracket/pole
LTV-R2 Rain Sensor:	7.14" W x 3.43" D x 4.94" H (18.13cm L x 8.72cm W x 12.54cm H)
LTV-D1 Bonus Station:	2.64" W x 1.32" D x 3.62" H (6.7 cm L x 3.35cm W x 9.19cm H)

Sensor Update Intervals

LTV-TH2 Thermo-hygro Sensor:	Change of Temp +/- 0.5°C (0.9°F), Hum +/- 2% RH or 3 minutes if no change Checks Temp/Humidity every 51 seconds
LTV-W1 Wind Speed Sensor:	Change of 0.8km (0.5mph) Wind Speed or 3 minutes if no change Checks for change in Wind Speed every 31 seconds, samples every 3 seconds
LTV-R2 Rain Sensor:	Change of 0.2mm (0.008 in) Rainfall - 3 minutes if no change Checks Rain every 45 seconds

CARE & MAINTENANCE

- Do not mix old and new batteries.
- Do not mix Alkaline, Standard, Lithium, or Rechargeable Batteries.
- Always purchase the correct size and grade of battery most suitable for intended use.
- Replace all batteries of a set at the same time.
- Clean the battery contacts and also those of the device prior to battery installation.
- Ensure the batteries are installed with correct polarity (+ and -).
- Remove batteries from equipment when it is not used for an extended period of time.

- Promptly remove expired batteries.

Warning

This content is compiled from multiple sources and is provided for reference purposes only. It may not be complete or fully applicable to all situations. If you are unable to resolve your issue, please contact the product manufacturer or an authorized service provider for official support.

Document generated by [ManualsFile](#)

