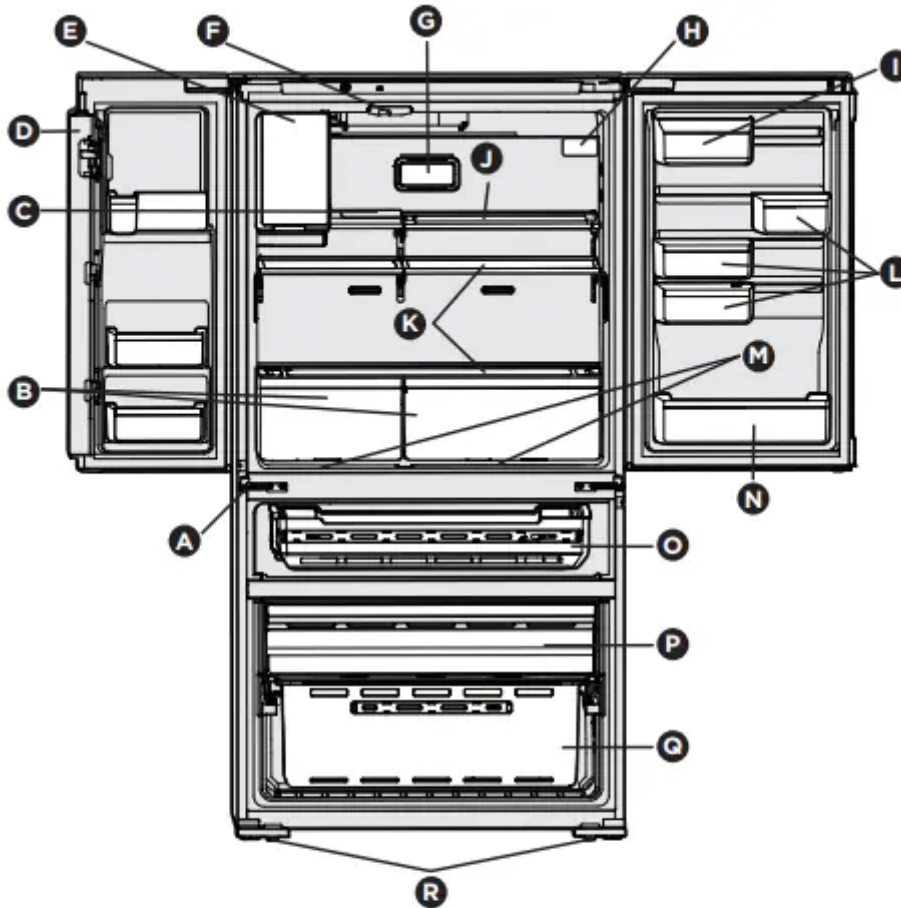


FEATURES

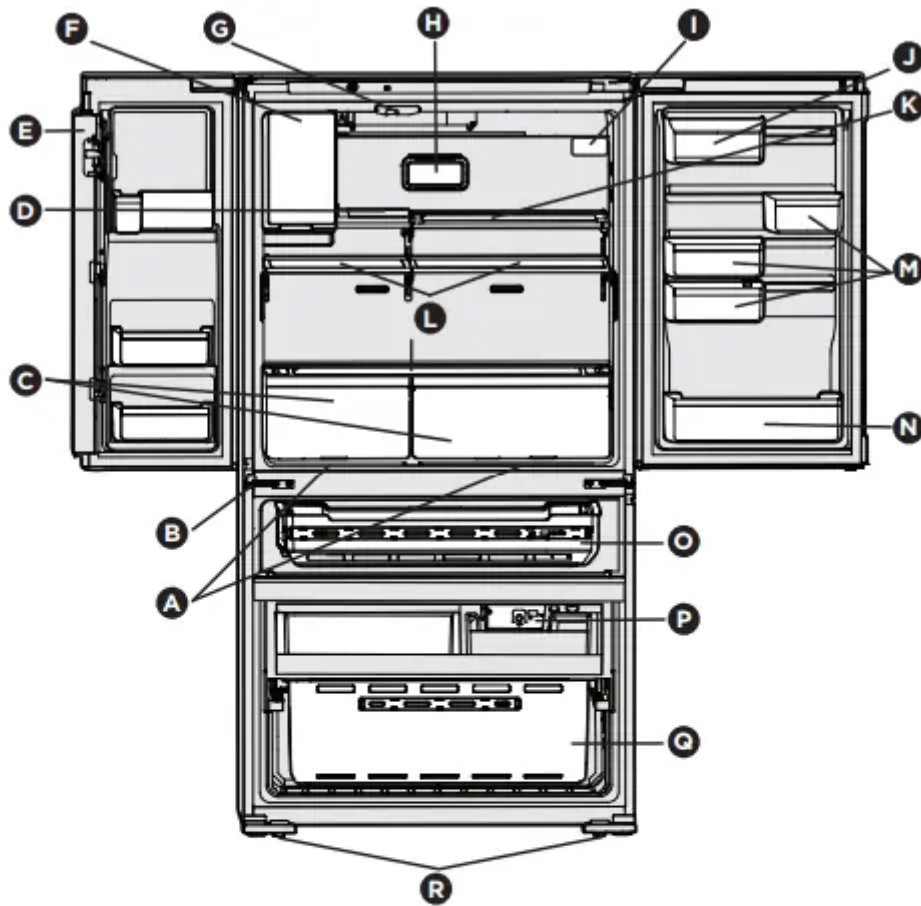
Frigidaire Gallery



A	Adjustable Hinges	J	Slide-Under Shelf*
B	Auto CrispSeal™ Drawers	K	Cantilever Shelves
C	Flip Shelf*	L	Adjustable Door Bins
D	Flipper Mullion	M	SnackZone™ Storage Compartments (Recessed below Crispers)
E	Fresh Food Ice Maker*	N	Door Bin*
F	Flipper Guide	O	Custom-Flex™ Temp Drawer
G	Air Filter	P	Freezer Drawer
H	Water Filter	Q	Freezer Basket
I	Dairy Compartment*	R	Anti-tip Leg

*Features may vary according to model

Frigidaire Professional



A	SnackZone™ Storage Compartments (Recessed below Crispers)	J	Dairy Compartment*
B	Adjustable Hinges	K	Slide-Under Shelf*
C	Auto CrispSeal™ Drawers	L	Cantilever Shelves
D	Flip Shelf*	M	Adjustable Door Bins
E	Flipper Mullion	N	Door Bin*
F	Fresh Food Ice Maker*	O	Custom-Flex™ Temp Drawer
G	Flipper Guide	P	Ice Maker
H	Air Filter	Q	Freezer Basket
I	Water Filter	R	Anti-tip Leg

*Features may vary according to model

INSTALLATION

1. Location

- Choose a place that is near a grounded, non-GFCI, electrical outlet. Do Not use an extension cord or an adapter plug.
- If possible, place the refrigerator out of direct sunlight and away from the range, dishwasher, or other heat sources.

- The refrigerator must be installed on a floor that is level and strong enough to support a fully loaded refrigerator.
- Consider water supply availability for models equipped with an automatic ice maker.

CAUTION: Do Not install the refrigerator where the temperature will drop below 55°F (13°C) or rise above 110°F (43°C). The compressor will not be able to maintain proper temperatures inside the refrigerator.

2. Installation

Allow the following clearances for ease of installation, proper air circulation, and plumbing and electrical connections:

- Sides & Top $\frac{3}{8}$ " (9.5 mm)
- Back 1" (25.4 mm)

NOTE: If the refrigerator is placed with the door hinge side against a wall, allow additional space so the door can be opened wider.

3. Door opening

The refrigerator should be positioned to allow easy access to a counter when removing food. For best use of refrigerator drawers and freezer baskets, the refrigerator should be in a position where both can be fully opened.

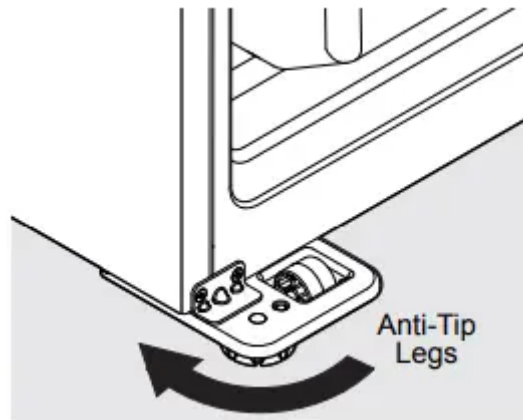
4. Cabinet Leveling & Refrigerator Door Alignment (if necessary)

Guidelines for final positioning of refrigerator:

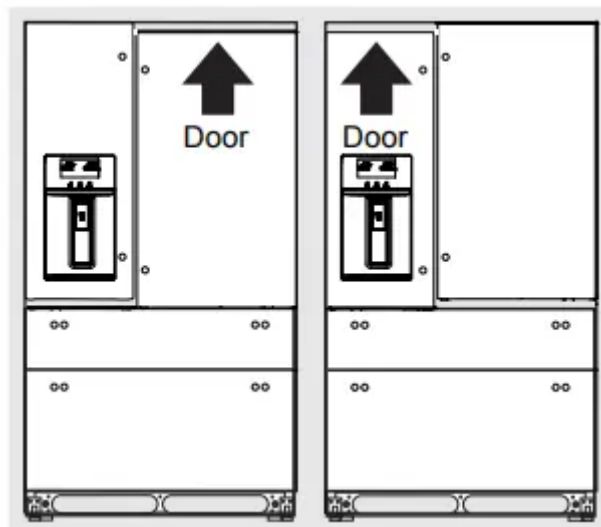
- All four corners of the cabinet must rest firmly on the floor.
- The front should be slightly elevated to ensure that doors close and seal properly.
- Doors should align with each other and be level.

Most of these conditions can be met by raising or lowering the adjustable anti-tip legs. To level the cabinet using the anti-tip legs:

- Slightly open freezer drawer.
- Lower anti-tip legs until they are both touching the floor. Use a pair of pliers to adjust.
 - To raise unit: turn leg clockwise.
 - To lower unit: turn leg counterclockwise.

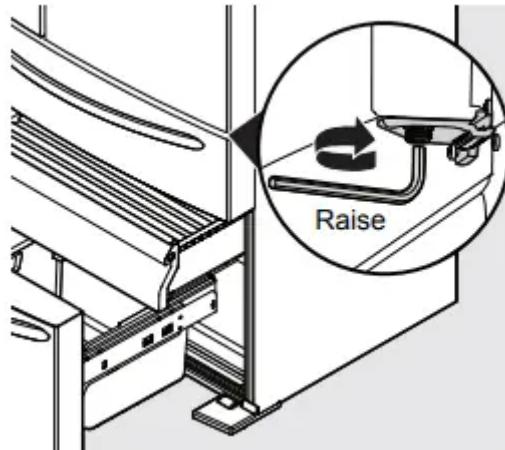


- Ensure both doors are bind-free with their seals touching the cabinet on all four sides and that cabinet is stable.



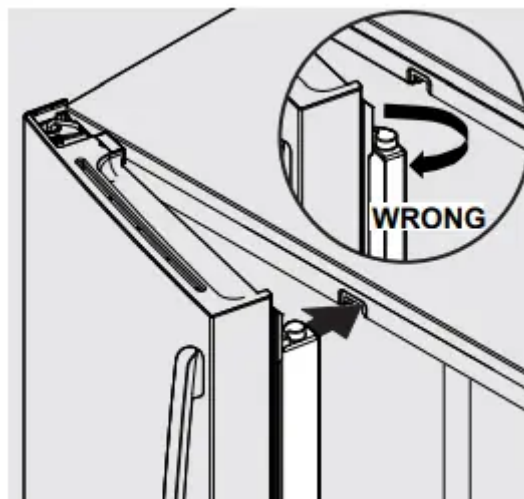
To make final door height adjustments:

- Open Custom-Flex Temp drawer to make lower hinge visible.
- Insert 6 mm Allen™ wrench into the shaft of the lower hinge.
 - **To lower door:** turn adjustment screw clockwise.
 - **To raise door:** turn adjustment screw counterclockwise.



5. Flipper Mullion

Adjust Flipper Mullion for proper connection with the mullion guide by ensuring the flipper mullion is folded and perpendicular to the fresh food door. If the mullion guide is not in the correct position, it could prevent the door from closing completely.



DOOR REMOVAL

Getting through narrow spaces

If refrigerator will not fit through an entrance area, doors can be removed. Check first by measuring the entrance.

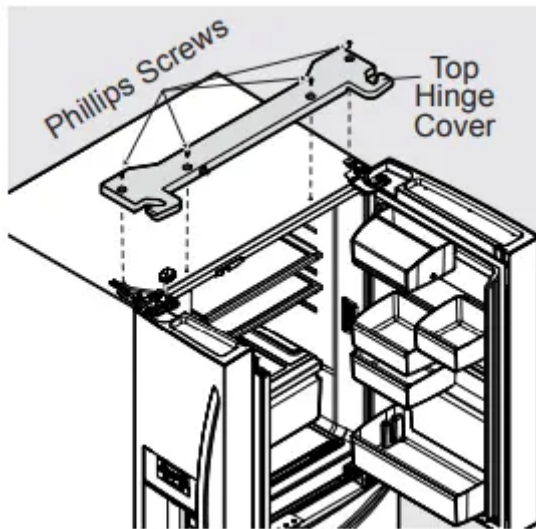
To prepare for removing the doors:

1. Make sure the electrical power cord is unplugged from the wall outlet.
2. Remove any food from the door shelves and close the doors.

To remove the refrigerator doors:

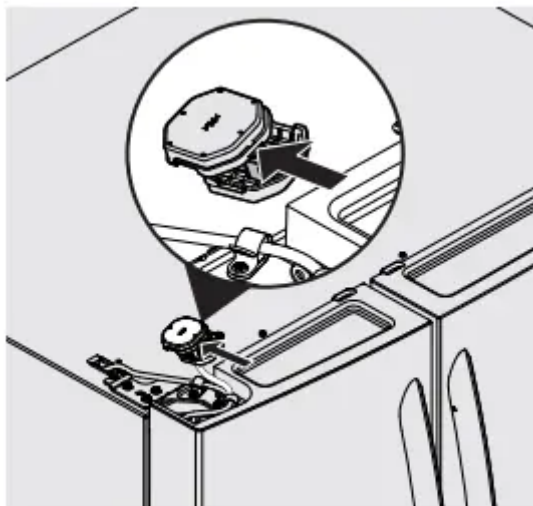
1. Open doors to 90°.

2. Remove all five Phillips™ screws from top hinge cover and lift up.

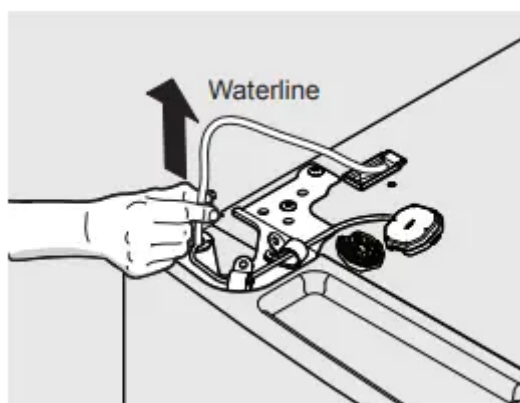


3. Trace lightly around the door's top hinges with a pencil. This makes reinstallation easier.

4. Disconnect electrical harness running from door to hinge cover.



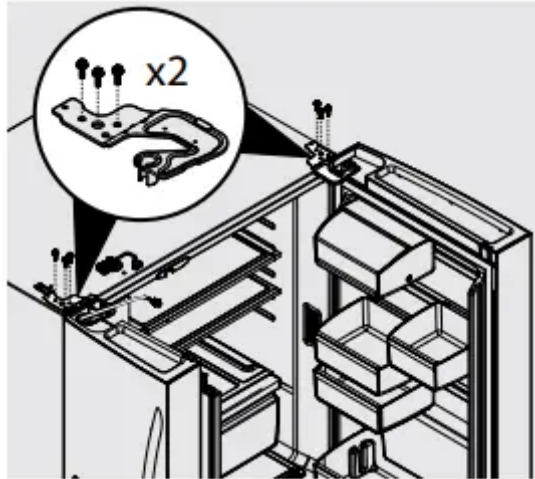
5. Pull up on water line gently to remove from door.



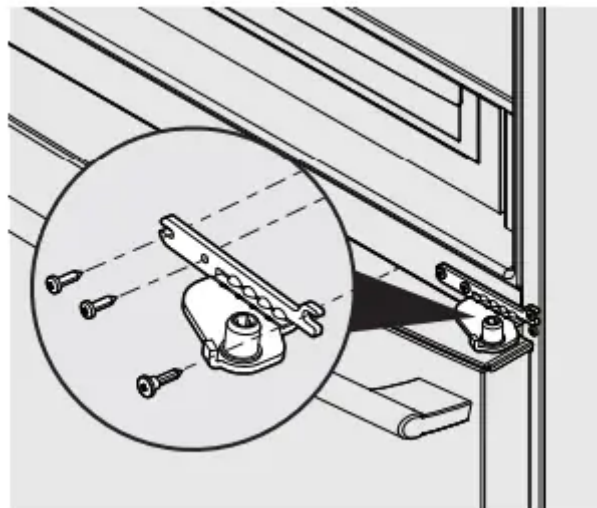
NOTE: Use care while pulling the water tube from the door to be sure that tube does not kink. Approximately four feet of water tube will be pulled from the refrigerator door.

CAUTION: Be sure doors are set aside in a secure position where they cannot fall and cause personal injury, or damage to the doors or handles.

6. Remove three 8 mm bolts from both top hinges. Lift doors up off lower hinges and carefully set aside.



7. To gain access to lower hinge, drawer will need to be extended. Unscrew the three lower hinge screws and slide the hinge inwards.



Lower Hinge Removal

8. To reinstall doors, reverse procedure.

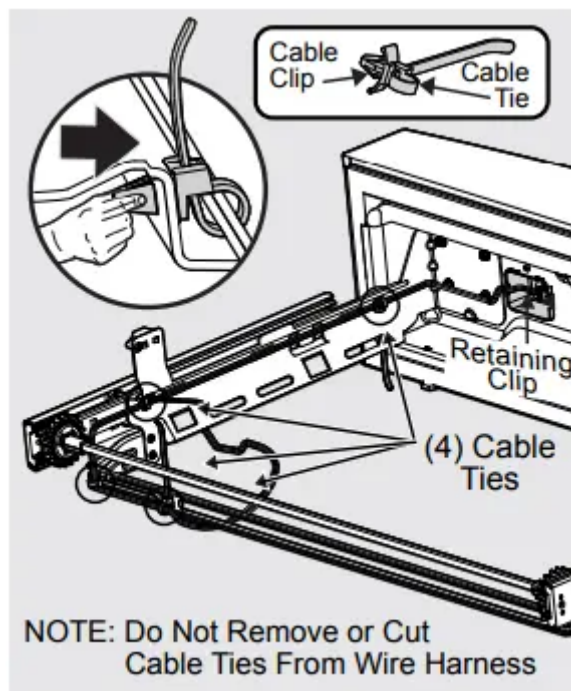
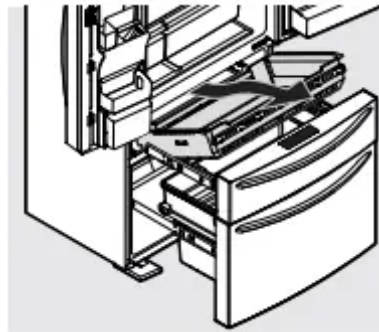
IMPORTANT: Make sure water line tubing goes through hole at top of dispenser pocket. There is also a metal wrap on the tubing to prevent damage from the hinge rubbing against it. This needs to be fixed back around the tube in the proper location upon reinstallation (just as long as the tube is protected from the hinge).

NOTE: When reinserting the water tube and replacing the top hinge cover, use care to be sure the tube does not kink.

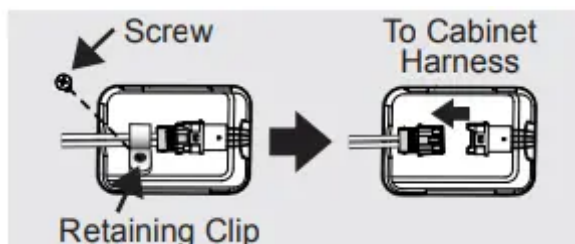
Once both doors are in place, ensure they are aligned with each other and level (Reference the Installation section for more details), and replace the top hinge cover.

To remove the Custom-Flex Temp Drawer

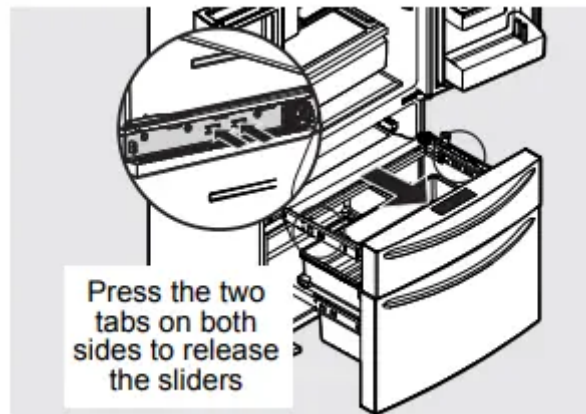
1. Fully open drawer.
2. Remove basket from drawer.
3. Unsnap the 4 cable ties by pressing clip sides together and pushing through opening.



4. Remove screw and retaining clip and disconnect the harness

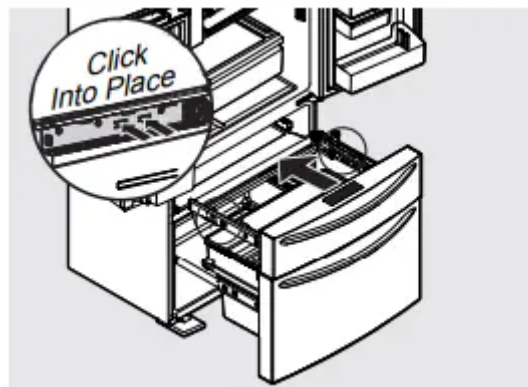


5. Remove drawer by pressing on the liner clips and slide rail past clips on both sides to fully remove drawer from cabinet.



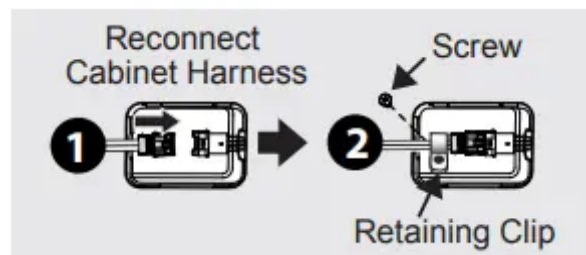
Reinstalling the Custom-Flex Temp Drawer

1. Place drawer with brackets and sliders inside compartment and click sliders into place on each side.

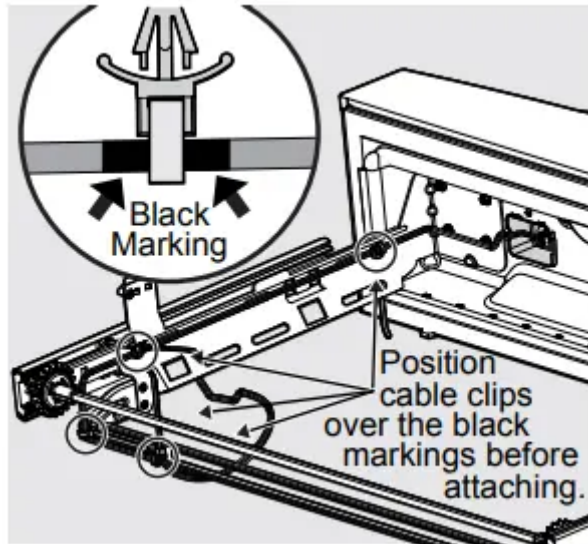


2. Reconnect cabinet harness.

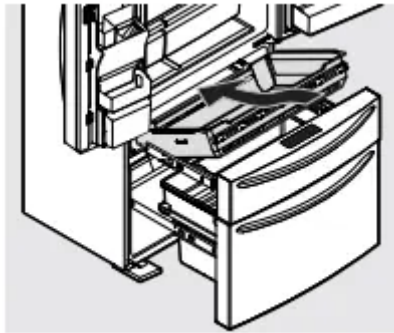
3. Replace retaining clip and secure with screw.



4. Reattach electrical harness by positioning the cable clips over the black markings on the harness and push the 4 cable clips through openings in rail to secure harness in place.

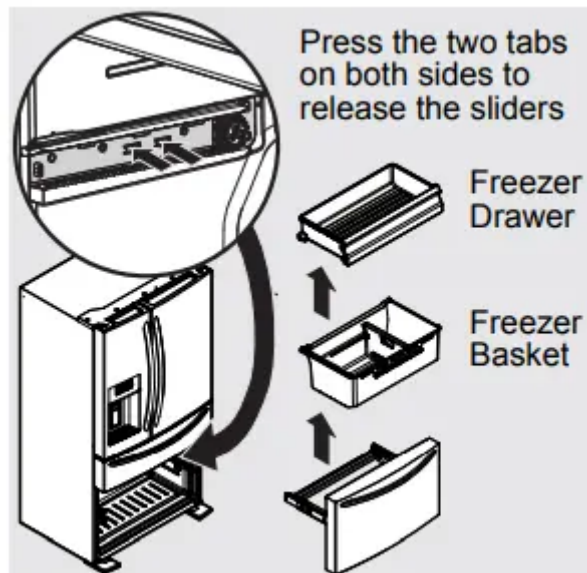


5. Slide basket into place.
6. Close drawer.



Removing Freezer Drawer

1. Open drawer and fully extend.
2. Remove the freezer drawer.
3. Remove the freezer basket.
4. Inside the cabinet, press the two tabs on both sides to release the sliders.
5. Remove the drawer with brackets and sliders.



Reinstalling Freezer Drawer

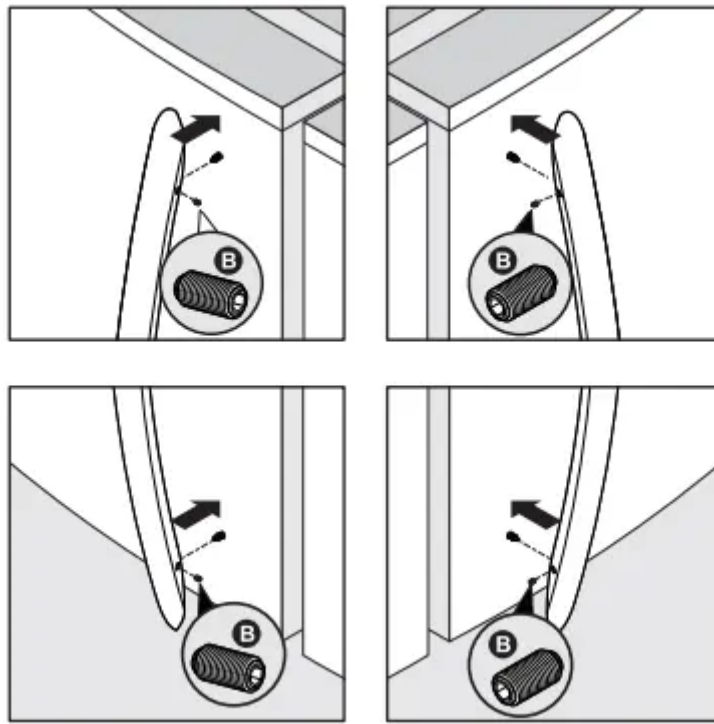
1. Place drawer with brackets and sliders inside the cabinet and click into place.
2. Replace the basket.

DOOR HANDLE INSTALLATION

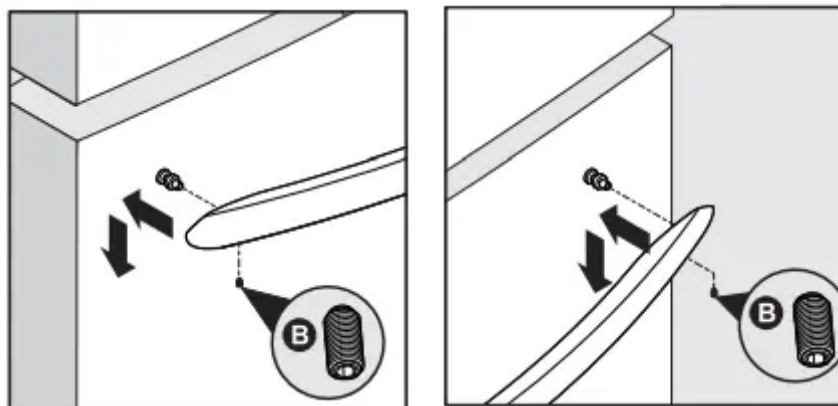
Door Handle Mounting Instructions for Frigidaire Gallery

1. Remove handles from carton and any other protective packaging.
2. Position fresh food handle end caps over upper and lower pre-installed shoulder bolts (A) that are fastened into door, ensuring the holes for the set screws are facing towards the opposite door.
3. While holding handle firmly against door, fasten upper and lower Allen set screws (B) with supplied Allen wrench.
4. Repeat steps 2 and 3 to install opposite handle. Ensure the holes for the set screws are facing towards the first door.
5. Position freezer/Custom-Flex™ Temp Drawer handle end caps over left and right pre-installed shoulder bolts (A) that are fastened to the door, ensuring the holes for the set screws are facing down.
6. While holding handle firmly against door, loosely tighten right Allen set screw (B) with supplied Allen wrench until there is no gap between handle and door.
7. Still holding the handle firmly to the door, firmly tighten left Allen set screw (B) with supplied Allen wrench.
8. Return to the right Allen set screw (B) and firmly tighten with supplied Allen wrench.

Mounting Refrigerator Handles



Mounting Freezer Custom-Flex Temp Drawer Handle



NOTE:

When tightening the Allen set screws, it is imperative that force be applied to the longer arm of the Allen wrench supplied in the handle packaging.

All set screws should be tightened so the screw is below the surface of the handle. The handles should be drawn tight to doors/drawer with no gaps. Opening the opposite door while tightening the Allen screw makes installation easier.

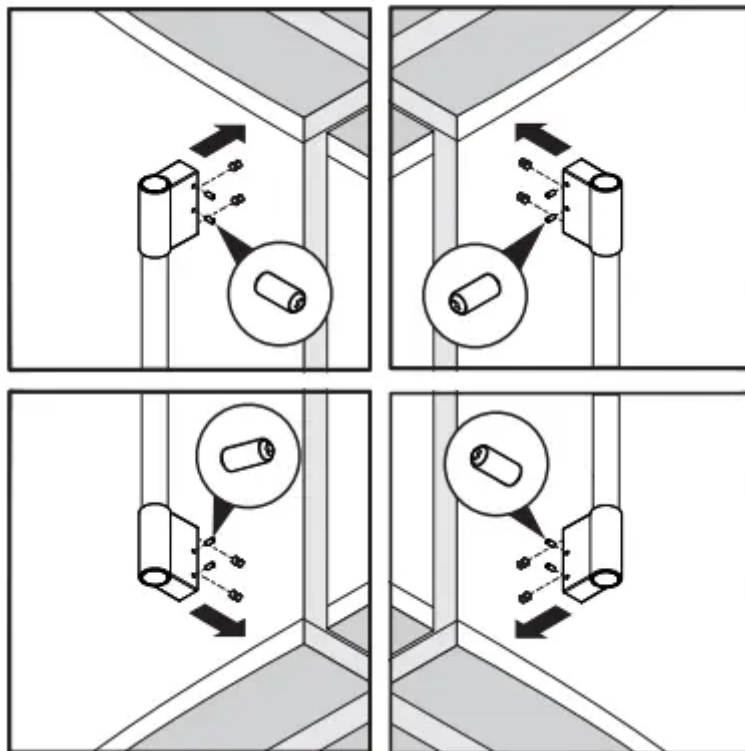
The door handle may loosen over time or if it was installed improperly. If this happens, tighten the set screws on the handles.

Door Handle Mounting Instructions for Frigidaire Professional

1. Remove handles from carton and any other protective packaging.

2. Position fresh food handle end over upper and lower preinstalled shoulder bolts (A) that are fastened into door, ensuring the holes for the set screws are facing towards the opposite door.
3. While holding handle firmly against door, fasten further most upper and further most lower Allen set screws (B) with supplied Allen wrench.
4. Repeat steps 2 and 3 to install opposite handle. Ensure the holes for the set screws are facing towards the first door.
5. Firmly tighten the inside Allen set screws.

Mounting Refrigerator Handles



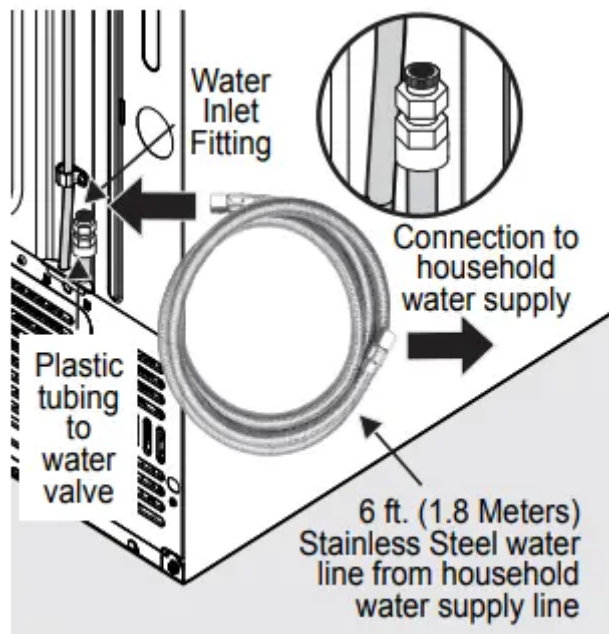
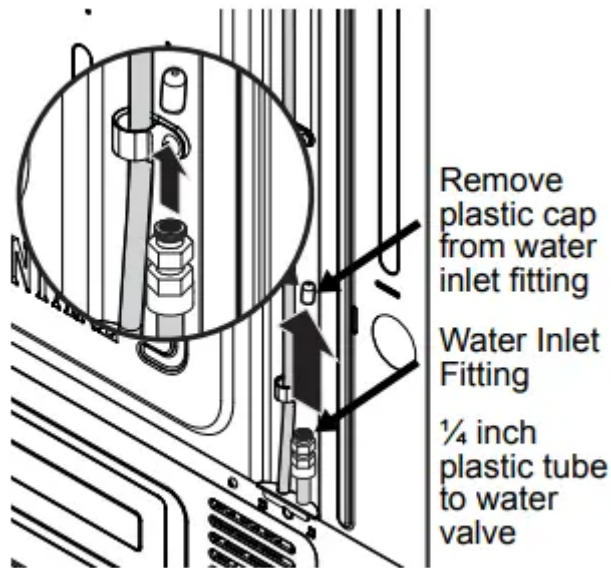
NOTE:

When tightening the Allen set screws, it is imperative that force be applied to the longer arm of the Allen wrench supplied in the handle packaging.

All set screws should be tightened so the screw is below the surface of the handle. The handles should be drawn tight to doors with no gaps. Opening the opposite door while tightening the Allen screw makes installation easier.

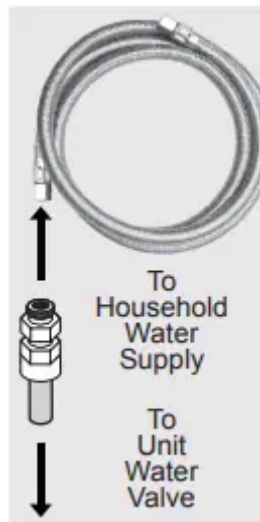
The door handle may loosen over time or if it was installed improperly. If this happens, tighten the set screws on the handles.

WATER SUPPLY CONNECTION



To Connect Water Tube to Household Water Supply

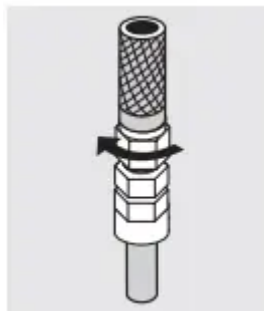
1. Disconnect refrigerator from electrical power source.
2. Place end of water supply line into sink or bucket. Turn ON water supply and flush supply line until water is clear. Turn OFF water supply at shutoff valve



3. Remove plastic cap from water inlet fitting and discard cap.

4. If using (recommended) stainless steel braided tubing - the nut and ferrule are already assembled on the tubing. Slide compression nut onto water inlet fitting and finger tighten.

5. Using two adjustable wrenches (one to hold the household water line nut and the other to hold the water inlet fitting nut), tighten a half turn with wrench. DO NOT over tighten

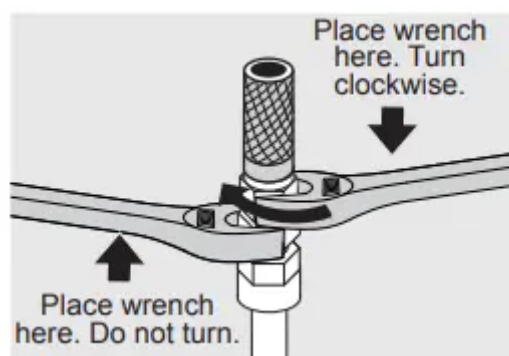


6. Turn ON water supply at shutoff valve and tighten any connections that leak.

7. Reconnect refrigerator to electrical power source.

8. Ensure ice maker is turned ON.

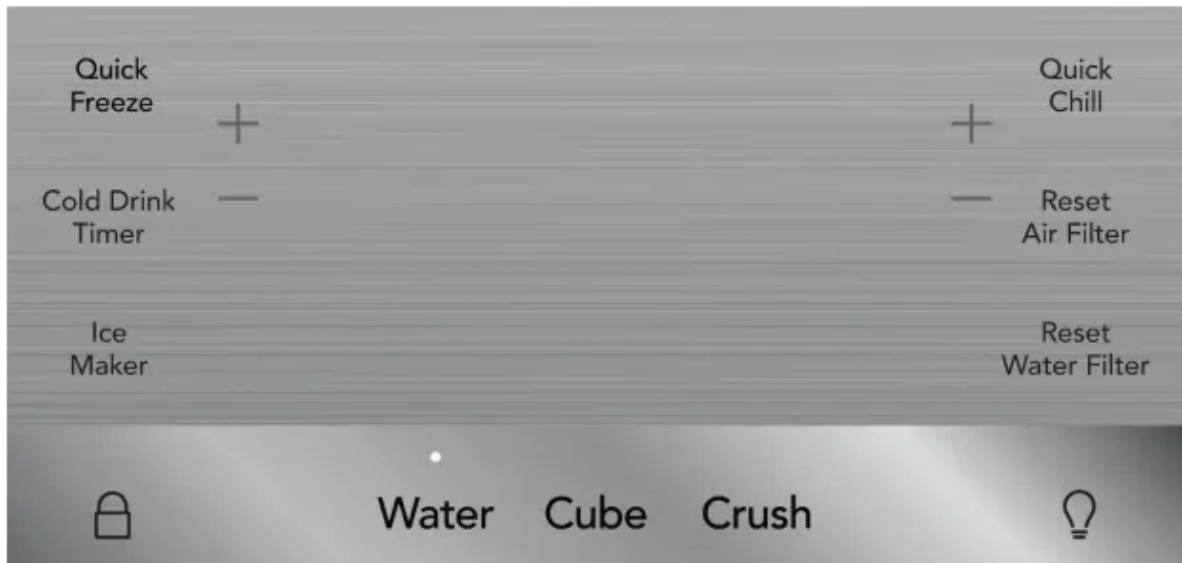
9. Purge air from Ice and Water Dispenser System by operating the water dispenser for 3-4 minutes. This will require dispensing several glasses of water.



CONTROLS AND SETTINGS

Frigidaire Gallery Display (options may vary by model)

Sleep Mode Display



Sleep Mode

As a default, the display will go to sleep after a short time. If any icon is pressed, the display will be awakened. After a short time, it will go back to sleep. When in sleep mode, wake up the display to confirm ice maker is On/Off. Sleep mode can be turned off to have the display on full time (awake mode). When sleep mode is Off, the display will always be illuminated. To turn sleep mode On/Off, simultaneously press and hold "Crush" and "Light" icons for 5 seconds. Tone will confirm.

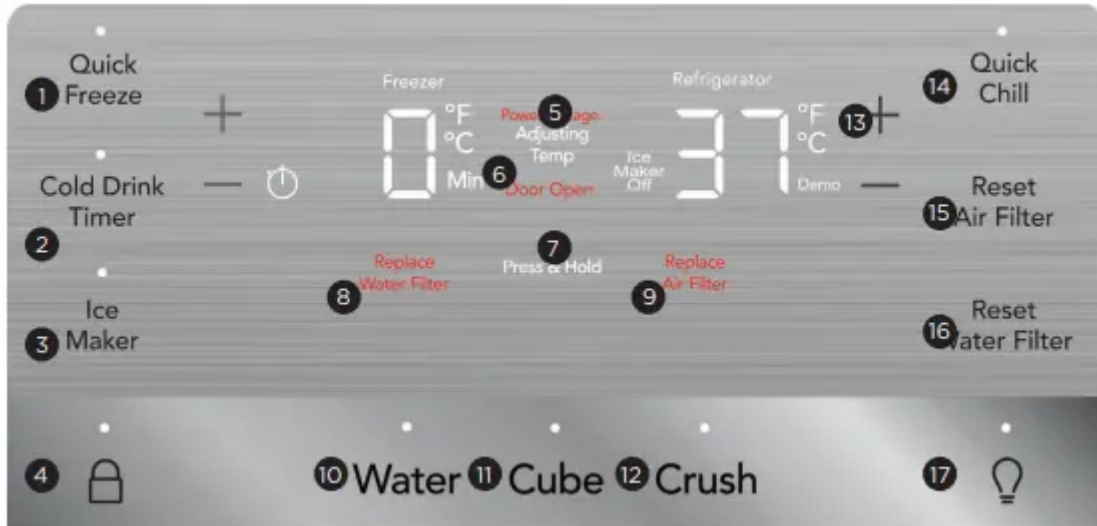
Awake Mode Display



Awake Mode

To change from sleep mode (on) to awake mode (off), simultaneously press and hold “Crush” and “Light” icons for 5 seconds. Display will show the current temperature/ice maker status. Tone will confirm.

Frigidaire Gallery Display (options may vary by model)



1. Quick Freeze (on/off)

- Activates a faster rate for freezing food in the freezer. Use this feature when loading several items into the freezer at one time. Automatically deactivates after 12 hours.

2. Cold Drink Timer

- Quickly chills a drink inside the freezer compartment. To enable, touch the Cold Drink Timer key. A time value will appear on the freezer temp display (in minutes) and can be changed using the +/- buttons. A tone will sound when the time has been input. Range is from 20-45 minutes in 5 minute intervals. Drinks will freeze if temperature setting is too low or timer setting is too long.

3. Ice Maker

- Press and hold for 3 seconds to turn ice maker on/off. When indicator is lit, ice maker is on. When ice maker is OFF, ice maker OFF indicator is lit. When ice maker is in the OFF state, it will stop making ice. When sleep mode is enabled, wake the display to confirm ice maker is on/ off (see Sleep Mode section). While off, ice dispensing can continue as long as there is ice in the bucket. When ice maker is off and ice is dispensing, indicator above ice maker button and ice maker OFF will both blink.

- The lock button can be used to lock the display preventing it from being used in certain situations. Press and hold for 3 seconds to enable/disable. While in the locked state, no changes can be made to settings on the display. Dispensing ice and water will be disabled. The indicator will flash and an audible warning tone is played.

5. Power Outage

- In the event of a power failure, the power outage alert will be illuminated once power has been restored and a tone will sound. The alert will only be illuminated if the refrigerator or freezer reached unsafe temperatures during the outage. Press any button to silence the tone.

6. Adjusting Temp

- Illuminates when temperatures are changed on the display and will remain illuminated until the desired temperatures are reached inside the refrigerator and freezer. Press either the + or - to adjust to desired temperature setting. Freezer temp Control temperatures range from -6°F / -21°C to +6°F / -15°C. Refrigerator temp Control temperatures range from +34°F / +1°C to +44°F / +7°C. This unit is designed to operate at 37°F Refrigerator/0°F Freezer. Unit should stabilize temperatures within 24 hours of installation.

7. Door Open

- Illuminates whenever the doors are open. If a door is left open for 5 minutes or more, an alarm will sound and the display will be illuminated until the doors are shut. Pressing any button will mute the alarm temporarily. Check to make sure no food is blocking the doorway.

8. Replace Water Filter

- Display illuminates every 6 months or when filter needs replacing. Replace filter and then press and hold 'Reset Water Filter' for 3 seconds to deactivate warning on display. See "Replacing the Filter" section for more information.

9. Replace Air Filter

- Display illuminates every 6 months or when filter needs replacing. Replace filter and then press and hold 'Reset Air Filter' for 3 seconds to deactivate warning on display. See "Replacing the Filter" section for more information.

10. Water

- Press the "water" key to dispense water. An indicator light will be illuminated above the active feature.

11. Cube

- Press the "cube" key to dispense cubed ice. An indicator light will be illuminated above the active feature.

12. Crush

- Press the "crush" key to dispense crushed ice. An indicator light will be illuminated above the active feature.

13. °F/°C

- To toggle between Fahrenheit (°F) and Celsius (°C), simultaneously press and hold + and - for 5 seconds on refrigerator side of display.

14. Quick

- Chill Quick chill is a faster rate for chilling food in the refrigerator compartment. Use this feature when loading several items into the refrigerator at one time. Deactivates after 6 hours.

15. Reset Air

- After replacing filter, press and hold for 3 seconds to reset.

16. Reset Water

- Filter After replacing filter, press and hold for 3 seconds to reset.

17. Toggles dispenser light On and Off.

Frigidaire Professional Display Mode Views

Your display is equipped with a sleep and lock mode to prevent accidental changes to the unit settings during opening and closing of the doors. When both doors are closed, the display will be in sleep mode. When either door is first opened, the display will be in lock mode where all the current settings are visible but dimmed.

Pressing any button on the display will awake the display and a tone will be played. All settings will then be fully lit. Touch the display again to change any setting.

If there is no button pressed for 10 seconds while any door is open, the display will default back to lock mode.



Frigidaire Professional Display (options may vary by model)

TEMP SETTINGS

- Select compartment for temperature change (FREEZER OR REFRIGERATOR). Press either the + or - to adjust to desired temperature setting.
 - **Freezer temp** - Control temperatures range from -6°F / -21°C to +6°F / -15°C.
 - **Refrigerator temp** - Control temperatures range from +34°F / +1°C to +44°F / +7°C. This unit is designed to operate at 37°F Refrigerator/0°F Freezer. Unit should stabilize temperatures within 24 hours of installation.

CLEAR ALERTS

- Resets any alarms that are active and illuminated on the display (DOOR OPEN, HIGH TEMP, POWER OUTAGE).

FREEZE BOOST

- Activates a faster rate for freezing food in the freezer. Use this feature when loading several items into the freezer at one time. Automatically deactivates after 12 hours.

TEMP F•C

- Press to toggle between F & C.

ICE MAKER

- For the Ice Maker inside the refrigerator, press and hold for 3 seconds to turn ice maker on/off. When indicator is lit, ice maker is on. When indicator is not lit, ice maker is in the OFF state and will stop making ice. While off, ice dispensing can continue as long as there is ice in the bucket.

DEFAULT SETTINGS

- Press and hold for 3 seconds to reset to default settings. WATER FILTER Status is shown at right of button. After replacing filter, press and hold for 3 seconds to reset. Status will reset to GOOD.

AIR FILTER

- Status is shown at right of button. After replacing filter, press and hold for 3 seconds to reset. Status will reset to GOOD



Frigidaire Professional Dispenser Controls



WATER

- Press the “WATER” key to select water.

CRUSH

- Press the “CRUSH” key to select crushed ice.

CUBE

- Press the “CUBE” key to select cubed ice.

light

- Toggles dispenser light on and off.

AUTOMATIC ICE AND WATER DISPENSER

Turning the fresh food ice maker on and off

Ice production is controlled by the ice maker’s On/Off feature on the control panel. Pressing the On/Off feature turns the ice maker on and off.

Ice maker/dispenser tips

- If refrigerator is not connected to a water supply or the water supply is turned off, turn off the ice maker as described in the previous section.
- The following sounds are normal when the ice maker is operating:
 - Motor running
 - Ice dropping into ice bin
 - Water valve opening or closing
 - Running water
- If a large quantity of ice is needed at one time, it is best to get cubes directly from the ice bin.
- Ice cubes stored too long may develop an odd flavor. Empty the ice bin as explained below. When dispensing cubed ice, it is normal to have a small quantity of little pieces along with the whole cubes.
- To avoid splashing, dispense ice into the container before adding liquids.
- It is normal for ice to fill to the top of the ice bin.

Cleaning the ice maker

Clean the ice maker and ice bin at regular intervals, especially prior to vacation or moving.

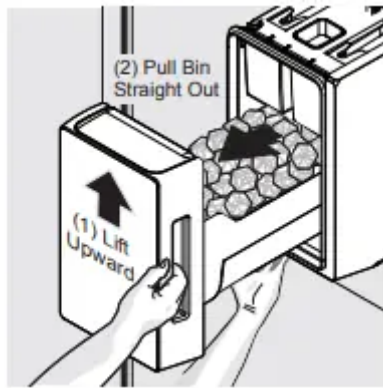
1. Turn off the ice maker.
2. Remove the ice bin by lifting upward and pulling straight out.

3. Empty and carefully clean the ice bin with mild detergent. Do not use harsh or abrasive cleaners. Do not place in dishwasher. Rinse with clear water.
4. Allow the ice bin to dry completely before replacing in the freezer.
5. Replace the ice bin. Turn the ice maker on.

Remove and empty the ice bin if:

- An extended power failure (one hour or longer) causes ice cubes in the ice bin to melt and refreeze together after power is restored, jamming the dispenser mechanism.
- Ice dispenser is used infrequently. Ice cubes will freeze together in the bin, jamming the dispenser mechanism.

Remove the ice bin by (1) lifting upward and (2) pulling straight out, then shake to loosen the cubes or clean as explained above.



Removing Ice Bin

Freezer Ice Maker (select models)

Ice Maker Operation & Care

After the refrigerator is installed properly, the ice maker can produce ice within 24 hours. When using the ice maker for the first time, and in order for it to work properly, it is necessary to clear air from the water tubing and the filter. Furthermore, if the system is not flushed, the first ice cubes may be discolored or have an odd flavor. Once the ice maker begins making ice, allow the bin to fill completely, then discard the first FULL bin of ice.

Ice Maker and Storage Bin Capacity

This ice maker should produce between 2 and 2.5 pounds of ice per 24 hours depending on usage conditions. The ice bin will hold about 4.5 pounds of ice.

NOTE: The ice maker will only produce the advertised production rate if the product is set at 0°F.

Turning the ice maker on and off

Press power button to turn Ice Maker on (button should be illuminated).





Ice maker tips

- The following sounds are normal when the ice maker is operating:
 - Motor running
 - Ice dropping into ice bin
 - Water valve opening or closing
 - Running water
- Ice cubes stored too long may develop an odd flavor. Empty the ice bin as explained below.

Freeze Boost (Professional) or Quick Freeze (Gallery) Function

Your refrigerator is equipped with a Freeze Boost/Quick Freeze Function for freezing food at a faster rate, but it can also increase ice production. **This function terminates automatically after 12 hours. This function affects only the ice maker in the freezer.**

Cleaning the ice maker

Clean the ice maker and ice bin at regular intervals, especially prior to vacation or moving.

1. Turn off the ice maker.
2. Remove the ice bin.
3. Empty and carefully clean the ice bin with mild detergent. Do not use harsh or abrasive cleaners. Rinse with clean water.
4. Allow the ice bin to dry completely before replacing in the freezer.
5. Replace the ice bin. Turn the ice maker on.

Remove and empty the ice bin if an extended power failure (one hour or longer) causes ice cubes in the ice bin to melt and refreeze together after power is restored.

Remove the ice bin and shake to loosen the cubes or clean as explained above.

STORAGE FEATURES

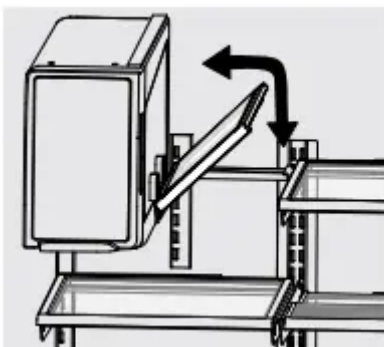
Shelf positions can easily be adjusted in the fresh food compartments as needed. The shelves have mounting brackets that attach to slotted supports at the rear of each compartment.

Change the Position of a Shelf

1. Remove all food from shelf.
2. Lift the front edge up and pull the shelf out.
3. Replace by inserting the mounting bracket hooks into the desired support slots.
4. Lower the shelf and lock into position.

To adjust flip shelf:

1. Remove food from shelf.
2. Lift the right side edge of shelf upwards and push to the left towards ice maker.



Flip Shelf

To adjust slide-under shelf (some models):

1. Push front half shelf backward towards rear of cabinet until the rear half shelf drops down, then gently continue pushing front half shelf back and under the rear half shelf.



Slide-Under Shelf

Drawers

The refrigerator includes a variety of storage drawers.

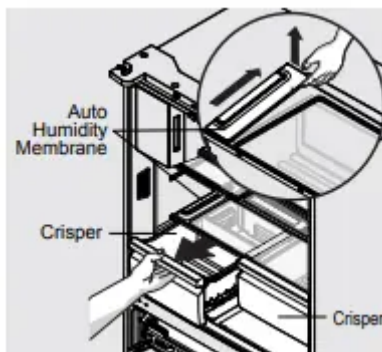
CrispSeal Drawer

Crisper drawers are designed for storing fruits, vegetables, and other fresh produce. Crispers have an auto humidity control on the side of each crisper under the humidity control cover.

Frigidaire Gallery Models

To remove the auto humidity control membrane for cleaning:

1. Reach to back of humidity control cover.
2. Pull up on cover.
3. Pull cover towards back of cabinet and remove.
4. Clean humidity membrane with hot soapy water.
5. Replace membrane and cover by reversing the steps above. Repeat for both crispers.

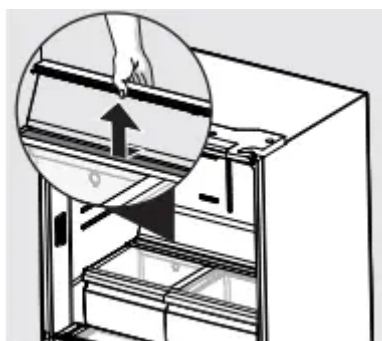


Removing Auto Humidity Control Membrane

Frigidaire Professional Models

To remove the auto humidity control membrane for cleaning:

1. Reach to back of humidity control cover.
2. Place fingers between the humidity control and the back wall, pull up on cover.
3. Pull cover towards the front of cabinet and remove.
4. Remove the humidity membrane from the housing by lifting up sliding over.
5. Clean humidity membrane with hot soapy water.
6. Replace membrane in housing and unit by reversing the steps above.

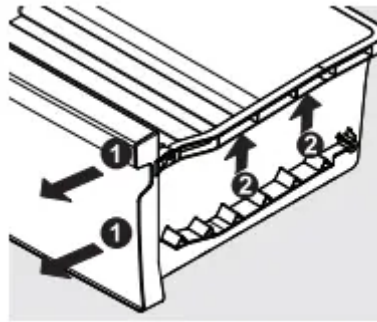


Removing Auto Humidity Control Membrane

To remove the Auto CrispSeal drawer for cleaning:

1. Pull the drawer out until it stops.

2. Lift the front slightly and remove the drawer.

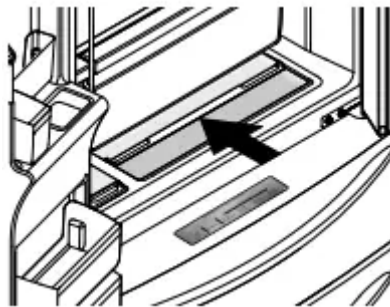


Removing Auto CrispSeal Drawer

SnackZone - Recessed Snack Drawers

These drawers are ideal for storage of deli meats and cheeses.

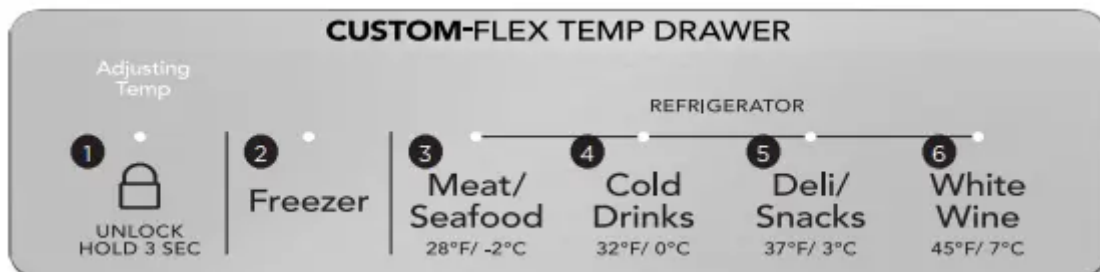
To open: slide back the cover to allow access to the drawers.



Opening SnackZone Recessed Snack Drawers

Using Your Custom-Flex Temp Drawer Controls

- The drawer automatically defaults to a locked state to prevent any unwanted use. To change the drawer's settings, it first needs to be unlocked. To unlock, press and hold the **UNLOCK** icon for 3 seconds. It will automatically lock after 10 seconds without any interaction.



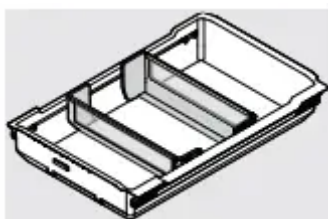
Freezer:

- To change the drawer temperature when in the freezer temp setting, use the control panel display on the front door. Changing the temp on the display will change both the drawer temp setting AND the freezer compartment.

Refrigerator:

- Choosing Meat/Seafood will set drawer temperature to 28°F (-2°C). A tone will sound to confirm choice. Use this setting for short term storage. Any meat to be kept longer than two days should be frozen.
- Choosing Cold Drinks will set drawer temperature to 32°F (0°C). A tone will sound to confirm choice.
- Choosing Deli/Snacks will set drawer temperature to 37°F (3°C). A tone will sound to confirm choice.
- Choosing White Wine will set drawer temperature to 45°F (7°C). A tone will sound to confirm choice.

Custom-Flex Temp Drawer Dividers (may vary by model)



To position drawer dividers, slide left or right. For easier repositioning, dividers do not lock but instead use the weight of stored items to keep the dividers in place. Dividers may shift when opening/ closing drawer when fewer items are stored.

Doors

• Storage bins

The doors to the fresh food compartment use a system of modular storage bins. All of these bins are removable for easy cleaning. Bins can be adjusted as needed. Door bins are ideal for storing jars, bottles, cans, and large drink containers. They also enable quick selection of frequently used items.

• Adjustable door bins

Some models have adjustable door bins that can be moved to suit individual needs.

• To adjust the collapsible door bin:

1. Make sure bin is securely seated on rail in door.
2. Grab one side of bin and place other hand on adjustable side.
3. Pull on side of bin until the bin is adjusted to desired width.

• To move door bin side-to-side:

4. Tilt bin up so the back of the bin is off the door but the hook is still engaged.
5. Slide bin along rail to desired position.

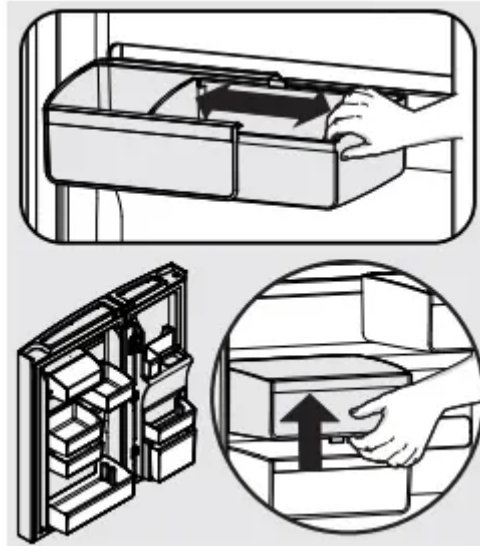
6. Lower bin back into place.

• **To move door bin up or down:**

7. Lift bin up disengaging the hook.

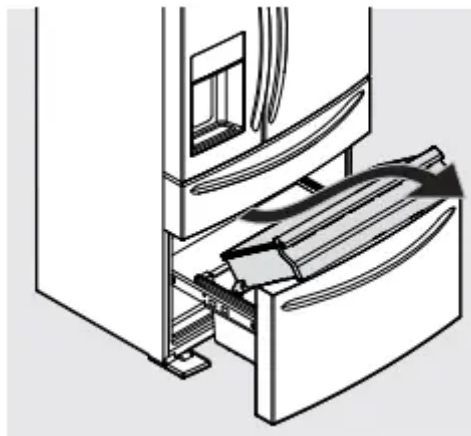
8. Move bin to desired rail location.

9. Push bin hook into rail engaging the hook.



Adjustable Door Bins

Freezer Features (varies by model)



Freezer Drawer

• **To remove upper freezer drawer:**

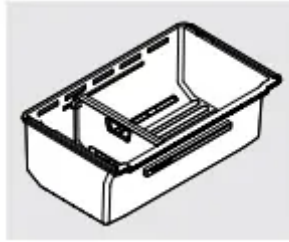
1. Open freezer compartment completely.

2. Lift up and out to remove upper freezer drawer. 3. Reverse the steps to reinstall drawer.

• **To remove freezer basket:**

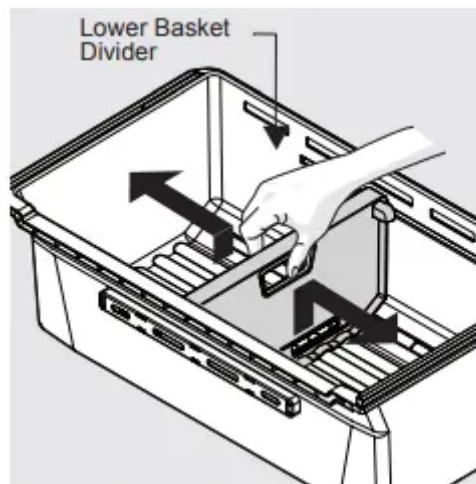


1. Open freezer compartment completely.
2. Lift the basket up and remove.
3. Reverse the steps to reinstall freezer basket.



Dividers

Grab hand hold on lower divider and pull up slightly to slide to next position. (The divider cannot be removed.)



Plastic Lower Basket Divider

STORING FOOD AND SAVING ENERGY

Ideas for storing foods

Fresh food storage

- Keep the fresh food compartment between 34°F and 44°F with an optimum temperature of 37°F.
- Avoid overcrowding the refrigerator shelves, which reduces air circulation and causes uneven cooling.
- Avoid placing food in front of air ports. (See Controls Section for illustration.)

Fruits and vegetables

- Store fruits and vegetables in crisper drawers, where trapped moisture helps preserve food quality for longer time periods.

- Do not wash items until ready to use. Remove excess water before placing inside unit.
- Wrap any items that have strong odors or high moisture content.

Meat

- Wrap raw meat and poultry separately and securely to prevent leaks and contamination of other foods or surfaces.
- Use the Custom-Flex Temp Drawer to store meat/poultry for short-term storage. Any meat to be kept longer than two days should be frozen.

Frozen food storage

- Keep the freezer compartment at 0°F or lower.
- A freezer operates most efficiently when it is at least $\frac{2}{3}$ full.

Packaging foods for freezing

- To minimize food dehydration and quality deterioration, use aluminum foil, freezer wrap, freezer bags, or airtight containers. Force as much air out of the packages as possible and seal them tightly. Trapped air can cause food to dry out, change color, and develop an off-flavor (freezer burn).
- Wrap fresh meats and poultry with suitable freezer wrap prior to freezing.
- Do not refreeze meat that has completely thawed.

Loading the freezer

- Prior to grocery shopping, activate “Quick Freeze/Freeze Boost” so newly purchased food designated for the freezer will be preserved as quickly as possible.
- Activating “Quick Freeze/Freeze Boost” also will help the freezer more efficiently maintain the selected temperature after placing new purchases with pre-existing frozen foods.
- Avoid adding too much warm food to the freezer at one time. This overloads the freezer, slows the rate of freezing, and can raise the temperature of frozen foods.
- Leave a space between packages, so cold air can circulate freely, allowing food to freeze as quickly as possible.

Ideas for saving energy

Installation

- Locate the refrigerator in the coolest part of the room, out of direct sunlight, and away from heating ducts or registers.
- Do not place the refrigerator next to heat-producing appliances such as a range, oven, or dishwasher. If this is not possible, a section of cabinetry or an added layer of insulation between the two appliances will help the refrigerator operate more efficiently.
- Level the refrigerator so that the doors close tightly.

Temperature settings

- Refer to the “Controls” section for procedures on temperature settings.

Food storage

- Avoid overcrowding the refrigerator or blocking cold air vents. Doing so causes the refrigerator to run longer and use more energy.
- Cover foods and wipe containers dry before placing them in the refrigerator. This cuts down on moisture build-up inside the unit.
- Organize the refrigerator to reduce door openings. Remove as many items as needed at one time and close the door as soon as possible.
- Do not place a hot container directly on a cold shelf. Remember, such an extreme temperature change may damage the glass.

NORMAL OPERATING SOUNDS

Understanding the sounds coming from the refrigerator

High-efficiency refrigerators may introduce unfamiliar sounds. These sounds normally indicate the refrigerator is operating correctly. Some surfaces on floors, walls, and kitchen cabinets may make these sounds more noticeable.

The following is a list of major components in the refrigerator and the sounds they can cause:

A Evaporators

- Refrigerant through the evaporators may create a boiling or gurgling sound.

B Evaporator fans

- Sounds of air being forced through the refrigerator by the evaporator fans may be heard.

C Defrost heaters

- During defrost cycles, water dripping onto the defrost heaters may cause a hissing or sizzling sound. After defrosting, a popping sound may occur.

D Automatic ice maker

- When ice has been produced, sounds of ice cubes falling into the ice bin may be heard. Ice maker fan, water valve activation, and refrigerant gas fluid may create sounds from its operation.

E Electronic control & automatic defrost control

- These parts can produce a snapping or clicking sound when turning the cooling system on and off.

F Condenser fan

- Sounds of air being forced through the condenser may be heard.

G Compressor

- Modern, high-efficiency compressors run much faster than older models. The compressor may have a high-pitched hum or pulsating sound.

H Water valves

- Make a buzzing sound each time they open to fill the ice maker.

I Drain pan (not removable)

- Sounds of water dripping into the drain pan during the defrost cycle may be heard.

J Condenser

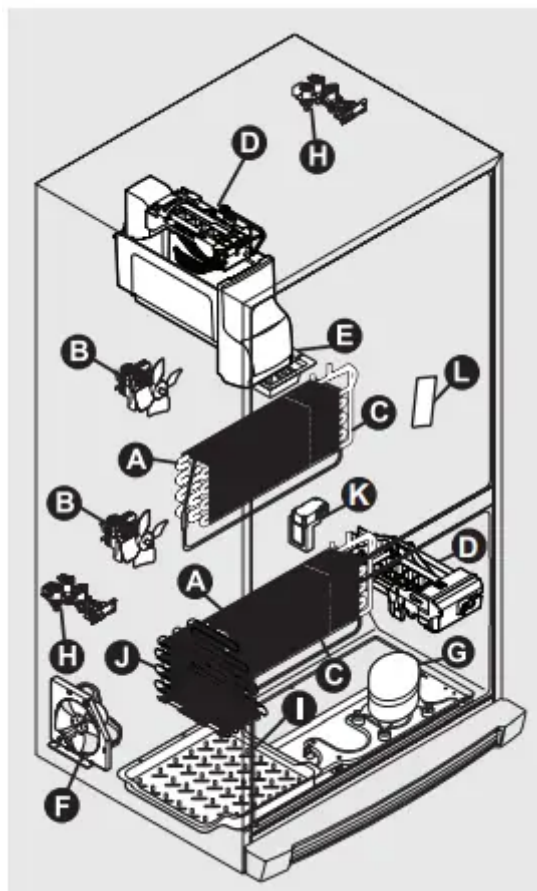
- May create minimal sounds from forced air.

K Motorized damper

- May produce a light humming during operation.

L Ice dispenser

- When dispensing ice, a snapping, clicking, or popping sound may be heard.



Features vary by model

FILTER REPLACEMENT

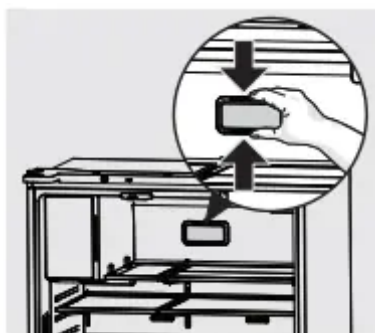
Air Filter (select models)

The air filter is located in the top center of the fresh food compartment.

Replacing the PureAir Ultra II Air Filter

To ensure optimal filtering of refrigerator odors, change the air filter every six months (**Replace Air Filter** on the Display indicates replacing the filter after six months).

1. Remove the air filter cover by squeezing the top and bottom of the cover together and removing from liner.
 2. Remove the old filter and discard it.
 3. Unpack the new filter and snap it into the filter cover. The open face (carbon media) of the filter should be installed facing outward in the cover.
 4. Replace the air filter cover by squeezing the sides and snapping it back into place.
 5. Gallery models: To reset, press and hold the “Reset Air Filter” on the display for 3 seconds. Tone will sounds once it has been reset.
- Pro Models: To reset, After replacing filter, press and hold “ Air Filter” on the display for 3 seconds. Status will reset to GOOD.



Water Filter

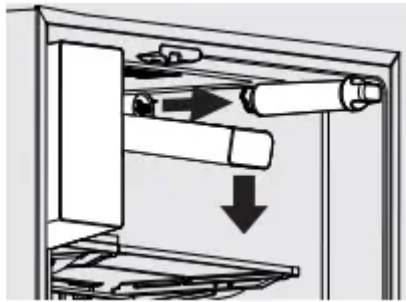
The refrigerator is equipped with a water filtering system. The water filtering system filters all dispensed drinking water, as well as the water used to produce ice. The water filter is located at the top right side of the fresh food compartment.

Accessing Your Water Filter

Change the water filter every six months to ensure the highest possible water quality. Replace Water Filter on the display indicates when to replace the filter after a standard amount of water (125 gallons/473 liters for PureSource Ultra II) has flowed through the system. If the refrigerator has not been used for a period of time (during moving for example), change the filter before reinstalling the refrigerator.

To Remove: Pull cover forwards and cover will drop down and allow access to filter.

To Reinstall: Push cover up towards liner and then push towards rear of cabinet. Filter cover will snap back into place. Replacement Air Filters



CARE AND CLEANING

Part	What To Use	Tips and Precautions
Interior & Door Liners	<ul style="list-style-type: none"> • Soap and water • Baking soda and water 	Use two tablespoons of baking soda in one quart of warm water. Be sure to wring excess water out of sponge or cloth before cleaning around controls, light bulb or any electrical part.
Door Gaskets	<ul style="list-style-type: none"> • Soap and water 	Wipe gaskets with a clean soft cloth
Glass Shelves	<ul style="list-style-type: none"> • Soap and water • Glass cleaner • Mild liquid sprays 	Allow glass to warm to room temperature before immersing in warm water.
Exterior & Handles	<ul style="list-style-type: none"> • Soap and water • Non Abrasive Glass Cleaner 	Do not use commercial household cleaners containing ammonia, bleach or alcohol to clean handles. Use a soft cloth to clean smooth handles or exterior. DO NOT use a dry cloth to clean smooth doors.
Exterior & Handles (Stainless Steel Models Only)	<ul style="list-style-type: none"> • Soap and water • Stainless Steel Cleaners 	<p>Never use CHLORIDE or cleaners with bleach to clean stainless steel.</p> <p>Clean stainless steel front and handles with non-abrasive soapy water and a dishcloth. Rinse with clean water and a soft cloth. Use a non-abrasive stainless steel cleaner. These cleaners can be purchased at most home improvement or major department stores. Always follow manufacturer's instructions. Do not use household cleaners containing ammonia or bleach.</p> <p>NOTE: Always clean, wipe and dry with the grain to prevent scratching. Wash the rest of the cabinet with warm water and mild liquid detergent. Rinse well, and</p>

wipe dry with a clean soft cloth. Stainless steel cleaning supplies can be purchased from www.frigidaire.com

TROUBLESHOOTING

Automatic Ice Maker

- Ice maker is not making any ice.
 - Ice maker is turned off.
 - Turn on ice maker. Fresh Food Ice Maker - press and hold the ice maker button on the side user interface for 3 seconds. The LED indicator will illuminate to indicate that the ice maker is ON. Freezer Ice Maker - press and release the power button on the front of the ice maker. The LED indicator will illuminate to indicate that the ice maker is ON.
 - Refrigerator is not connected to water line or water valve is not open.
 - Connect the unit to the household water supply and ensure the water valve is open.
 - The water supply line is kinked.
 - Ensure that the supply line does not kink when the refrigerator is pushed into place against the wall.
 - The water filter is not seated properly.
 - Remove and re-install the water filter. Be sure to seat it fully into the locked position. Remove and re-install the water filter. Be sure to seat it fully into the locked position.
 - The water filter may be clogged with foreign material.
 - If water dispenses slowly or not at all, or if the filter is six months old or older, it should be replaced.
 - Freezer ice maker signal arm is being prevented from lowering down to check the ice level in the bin at the appropriate time.
 - Remove any item or frozen clump of cubes that may prevent the signal arm from lowering down to check the ice level in the bin. Additionally, be sure the bin is in its properly installed position.
 - Ice maker is producing less ice than expected.
 - The ice maker will produce approximately 2 to 2.5 pounds of ice every 24 hours depending on usage conditions.

- The water filter may be clogged with foreign material.
 - If water dispenses slower than normal, or if the filter is six months old or older, it should be replaced.
- The water supply line is kinked.
 - Ensure that the supply line does not kink when the refrigerator is pushed into place against the wall.
- Saddle valve on the cold water pipe is clogged or restricted by foreign material.
 - Turn off household water line valve. Remove valve. Ensure that valve is not a self-piercing saddle valve. Clean valve. Replace valve if necessary.
- Heavy traffic, opening or closing of the doors excessively.
 - Press FREEZE BOOST to temporarily increase ice production rate. (Freezer ice maker only.)
- Freezer control is set too warm (freezer ice maker).
 - Set freezer control to colder setting to improve performance of the ice maker (freezer ice maker). Allow 24 hours for temperature to stabilize
- Water pressure is extremely low. Cut-off and cut-on pressures are too low (well systems only).
 - Have someone turn up the cut-off and cut-on pressure on the water pump system (well systems only).
- Reverse osmosis system is in regenerative phase.
 - It is normal for a reverse osmosis system to be below 20 psi during the regenerative phase.
- Ice cubes are freezing together
 - Ice cubes are not being used frequently enough or interruption of power for prolonged time.
 - Remove ice container and discard ice. The ice maker will produce fresh supply. Ice should be used at least twice weekly to keep the cubes separated.

- Ice cubes are hollow (shells of ice with water inside). The hollow cubes break open in the bin and leak their water onto existing ice, which causes it to freeze together.
 - This generally occurs when the ice maker does not get enough water. This is usually the result of a clogged water filter or restricted water supply. Replace the water filter and if the condition still occurs, check to see if the water valve is not turned on all the way or if there is a kinked water supply line.

Dispenser (Ice & Water)

- Dispenser will not dispense ice.
 - There is no ice in the bin to be dispensed.
 - See the “Ice maker is not making any ice” section.
 - The refrigerator doors are not completely closed.
 - Be sure the refrigerator doors are completely closed.
 - Dispenser paddle has been pressed too long and the dispenser motor has overheated.
 - The motor overload protector will reset in about three minutes and then ice can be dispensed.
- Ice dispenser is jammed.
 - Ice has melted and frozen around auger due to infrequent use, temperature fluctuations, and/or power outages.
 - Remove ice container, thaw, and empty the contents. Clean container, wipe dry, and replace in proper position. When new ice is made, dispenser should operate.
 - Ice cubes are jammed between ice maker and back of ice container.
 - Remove ice cubes that are jamming the dispenser.
- Dispenser will not dispense water.
 - Water filter not seated properly.
 - Remove and reinstall the water filter. For Puresource Ultra II, be sure to rotate it to the right until it stops and the grip end is vertical.
 - Water filter is clogged.
 - Replace filter cartridge. Be sure to rotate it to the right until it stops and the grip end is vertical.

- Household water line valve is not open.
 - Open household water line valve. See CONCERN column AUTOMATIC ICE MAKER.
- Water not cold enough.
 - As warmer tap water goes through the filter and enters the water supply system, the chilled water is pushed through to the dispenser. Once the chilled water is used up, it will take several hours to bring the freshly replaced water to a cooler temperature.
 - Add ice to cup or container before dispensing water. Note: Only first 26 ounces are chilled.
- Water has an odd taste and/or odor.
 - Water has not been dispensed for an extended period of time.
 - Draw and discard 10-12 glasses of water to freshen the supply
 - Unit not properly connected to cold water line.
 - Connect unit to cold water line that supplies water to the kitchen faucet.

Opening/Closing Of Doors/Drawers

- Door(s) will not close.
 - Door was closed too hard, causing other door to open slightly.
 - Close both doors gently
 - Refrigerator is not level. It rocks on the floor when moved slightly.
 - Ensure floor is level and solid, and can adequately support the refrigerator. Contact a carpenter to correct a sagging or sloping floor.
 - Refrigerator is touching a wall or cabinet.
 - Ensure floor is level and solid, and can adequately support the refrigerator. Contact a carpenter to correct a sagging or sloping floor.
 - Food/packaging is obstructing the door from closing.
 - Make sure there is no food/ packaging blocking the doorway.
 - Flipper mullion on left fresh food door is not in the correct position.
 - Ensure the flipper mullion is in the correct position to allow the door to close. (See Flipper Mullion section.)

- Drawers are difficult to move.
 - Food is touching shelf on top of drawer.
 - Remove top layer of items in drawer
 - Track that drawers slide on is dirty.
 - Ensure drawer is properly installed on track.
 - Clean drawer, rollers, and track. See Care & Cleaning.

Running of Refrigerator

- Compressor does not run.
 - Refrigerator is in defrost cycle.
 - This is normal for a fully automatic defrost refrigerator. The defrost cycle occurs periodically, lasting about 30 minutes.
 - Plug at electrical outlet is disconnected.
 - Ensure plug is tightly pushed into outlet.
 - House fuse blown or tripped circuit breaker.
 - Check/replace fuse with a 15 amp time-delay fuse. Reset circuit breaker.
 - Power outage.
 - Check house lights. Call local electric company
- Refrigerator seems to run too much or too long.
 - The variable speed compressor is designed to run 100% of the time except during the defrost cycle. At times it will run faster, such as after a defrost cycle.
 - It is normal for the compressor to run continuously except during defrost mode.

Digital Temperature Setting Display

- Digital temperature displays an error
 - Electronic control system has detected a performance problem.
 - Contact Electrolux Customer Care for assistance with any errors or codes flashing in the display by calling 1-800-374-4432.

Water/Moisture/Frost Inside Refrigerator

- Moisture collects on inside of refrigerator walls.
 - Weather is hot and humid.
 - The rate of frost buildup and internal sweating increases.

- Flipper mullion
 - Adjust flipper mullion. (See “To adjust the flipper mullion” in the Installation section.)
- Water collects on bottom side of drawer cover
 - Vegetables contain and give off moisture.
 - It is not unusual to have moisture on the bottom side of the cover.
 - Both crispers contain an automatic humidity control, which should adjust automatically to the varying levels of moisture inside the drawer without creating additional condensation or drying out the air inside the crisper drawer, works with various types of produce. If excess moisture is noticed, check to verify humidity membrane is not damaged and replace as necessary.
- Water collects in bottom of drawer.
 - Washed vegetables and fruit drain while in the drawer.
 - Dry items before putting them in the drawer. Water collecting in bottom of drawer is normal.

Water/Moisture/Frost Outside Refrigerator

- Moisture collects on outside of refrigerator or between doors.
 - Weather is humid.
 - This is normal in humid weather. When humidity is lower, the moisture should disappear.

Food/Drinks in Fresh Food Compartment/Custom-Flex Drawer

- Food is freezing.
 - Temperature setting is too low.
 - Move the setting to a higher degree.
 - Temperature sensor is covered by food (right side of fresh food area).
 - Allow space for air flow to the sensor.
 - Food is covering the air ports.
 - Allow space between the air ports and the food.

Cold Drink Timer

- Drinks are freezing.
 - Temperature setting is too low.
 - Move temperature setting higher.

- Cold drink timer is set too long.
 - Reduce time of cold drink timer accordingly

Warning

This content is compiled from multiple sources and is provided for reference purposes only. It may not be complete or fully applicable to all situations. If you are unable to resolve your issue, please contact the product manufacturer or an authorized service provider for official support.

Document generated by [ManualsFile](#)