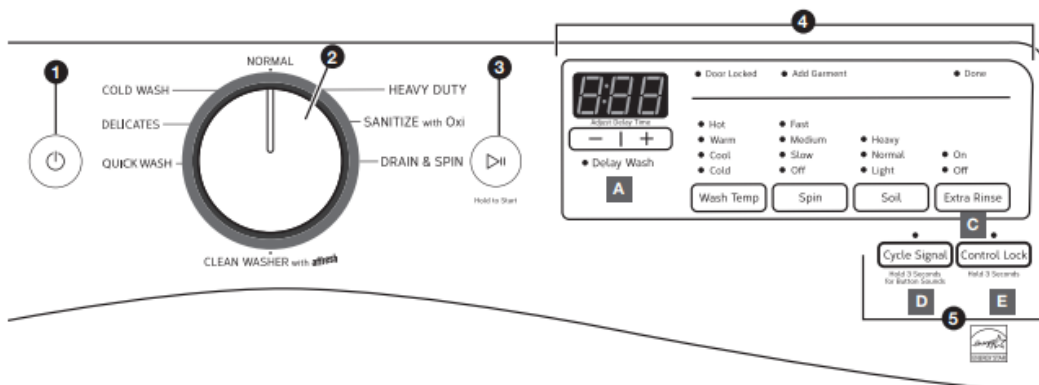
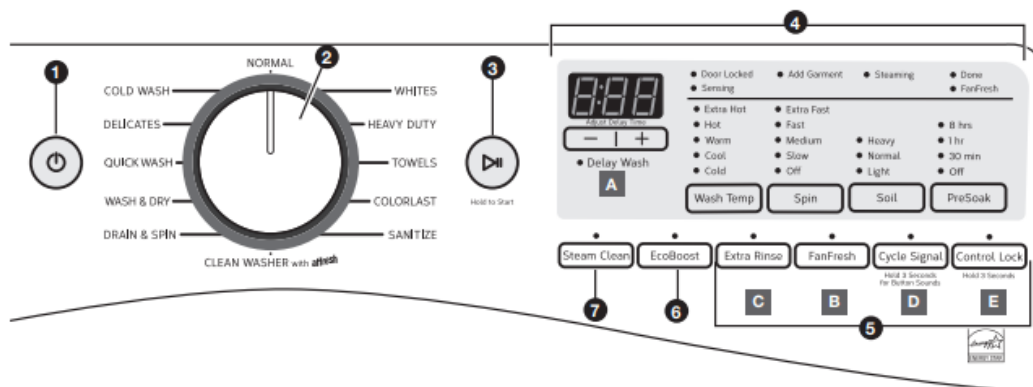
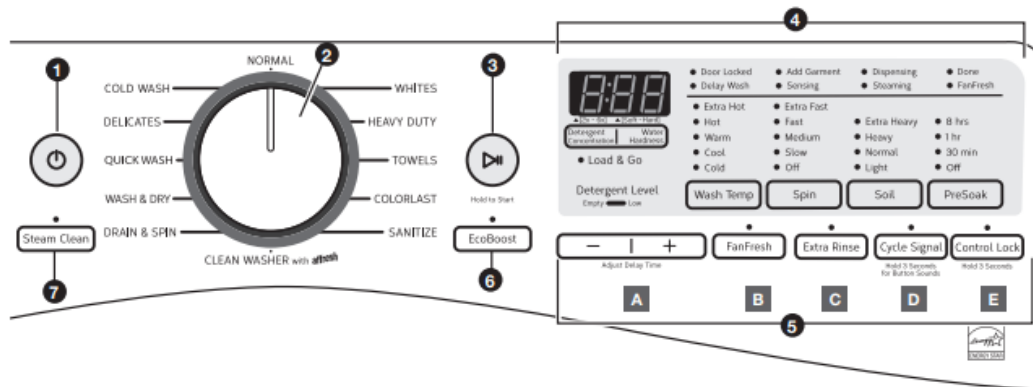


## Control Panel and Features

Not all features and cycles are available on all models.

### NOTES:

- The control panel features a sensitive surface that responds to a light touch of your finger. To ensure your selections are registered, touch the control panel with your fingertip, not your fingernail. When selecting a setting or option, simply touch its name.
- At cycle completion, your setting and option choices will be remembered for your next use of that cycle. However, if power is lost to the washer, the settings and options will go back to the factory defaults.



## 1. POWER

Touch to turn the washer on and off. Touch to stop/cancel a cycle at any time.

**NOTE:** Turning the Wash Cycle knob will also turn the washer on.

## 2. WASH CYCLE KNOB

Turn the knob to select a cycle for your laundry load. An LED will light up for the cycle selected.

**NOTE:** The Clean Washer with affresh® LED will flash when the washer has run 30 wash cycles as a reminder to run the Clean Washer with affresh® cycle.

See “Cycle Guide” for detailed descriptions of cycles.

**NOTE:** For best results when using the Wash & Dry cycle, use for loads weighing 2 lbs and less, such as a soccer uniform or a running tank and shorts. Allow the cycle to run the full duration of 12 hours.

## 3. START

Touch and hold for 3 seconds until the light above Start comes on to start a cycle, or touch once while a cycle is in process to pause it. If you want to add a garment, you can touch START when the “Add Garment” LED is on.

## 4. LED DISPLAY AND SETTINGS

When you select a cycle, its default settings will light up and the Estimated Time Remaining will be displayed. Factors such as load size, wash temperature, and water pressure may affect the time shown in the display. Tightly packing, unbalanced loads, or excessive suds may cause the washer to lengthen the cycle time, as well.

Touch the desired setting along the bottom of the display to adjust. See “Cycle Guide” for available settings on each cycle. Not all settings are available with all cycles.

### **Cycle Status Lights**

For details, see “Cycle Status Lights” section.

### **Load & Go™ – Detergent Concentration and Water Hardness (on some models)**

Touch DETERGENT CONCENTRATION to set detergent concentration from 2x to 6x. Touch WATER HARDNESS to set water hardness (normal, hard, or soft). For details, see “About Detergent Concentration” section.

**IMPORTANT:** When using the dispenser cartridge with concentrated liquid detergent, be sure to change the detergent concentration settings in the control if the detergent used is different than factory preset of 2x concentration.

### **Wash Temp**

The recommended wash temperature is preset for each cycle. You may also select a wash temperature based on the type of fabric and soils being washed. For best results, use the warmest wash water safe for your fabric, following the garment label instructions. All wash temperatures feature a cold rinse.

### **Spin**

This washer automatically selects the spin speed based on the cycle selected. Some preset speeds can be changed.

- Faster spin speeds mean shorter dry times, but may increase wrinkling in your load.
- Slower spin speeds reduce wrinkling, but will leave your load more damp.

### **Soil**

Soil level (wash time) is preset for each wash cycle. When you change the soil setting, the cycle time will increase or decrease in the Estimated Time Remaining display.

For most loads, use the soil level that is preset with the cycle you have chosen. For heavily soiled and sturdy fabrics, use the Soil setting to select more wash time. For lightly soiled and delicate fabrics, use the Soil setting to select less wash time. Lower soil level settings will help reduce tangling and wrinkling.

### **Presoak**

Touch to add a Presoak time of your choice to a wash cycle. Items will gently tumble through the detergent and water for the selected time to help loosen tough stains.

## **5. OPTIONS**

Touch to activate additional wash options or additional features on the washer before touching START. Additional wash options or additional features selected after touching Start may not activate.

Once a wash option or additional feature is selected, it is saved for the cycle selected. To return to factory default cycle settings, unplug washer for 30 seconds; then plug back in.

### **A. Adjust Delay Time**

Touch – or + to delay the start of the wash cycle by up to 8 to 12 hours depending on your model.

### **B. FanFresh® Option (on some models)**

The FanFresh® option will periodically tumble the load after the end of the cycle for up to 12 hours, while the integrated fan circulates air through the washer to reduce humidity. To turn on the FanFresh® option, touch FanFresh. If, however, the FanFresh® option is turned on, it will stay on for all future cycles until turned back off – the washer remembers the last on/off status set. To turn off the FanFresh® option, touch FANFRESH.

You may also activate the FanFresh® option without running a cycle by touching and holding POWER for one second, then touching and holding FANFRESH for 3 seconds, then touching and holding START for 3 seconds.

To turn off the FanFresh® option when it is running, touch POWER.

**NOTE:** The door will lock while the FanFresh® option is active. To cancel the option and unlock the door, touch POWER.

### **C. Extra Rinse**

Activate this option to add an extra rinse to most cycles.

**NOTE:** Extra Rinse can also be used to turn on the Drum Light (on some models). Simply touch and hold EXTRA RINSE for 3 seconds.

### **D. Cycle Signal**

Use this option to set the volume level or turn off the signal that sounds at end of cycle.

With each touch of the Cycle Signal, a number is displayed for the sound level selected: 0 = off, 1 = low, 2 = medium, 3 = high.

**NOTE:** Touch-tone volume does not change.

To turn off the tones that sound when a setting is touched: Touch and hold CYCLE SIGNAL for about 3 seconds. Repeat to turn them on.

### **E. Control Lock**

Touch and hold for 3 seconds to lock the controls to avoid unwanted changes or operation. Touch and hold 3 seconds again to unlock. For each second CONTROL LOCK is held down, the display will count down one second: you will see “3,” then “2,” then “1.” You may still touch START to pause the cycle, or touch POWER to turn off the washer.

## **ADDITIONAL OPTION**

### **Drum Light (on some models)**

Touch and hold EXTRA RINSE for 3 seconds to turn on the Drum Light.

## **6. ECOBOOST™ OPTION**

Touch to activate the EcoBoost™ option. The EcoBoost™ option provides additional energy savings through reduced hot water usage and maintains cleaning performance by lengthening the wash time on some cycles.

**NOTE:** Energy savings may vary across loads and cycles.

## **7. STEAM CLEAN OPTION**

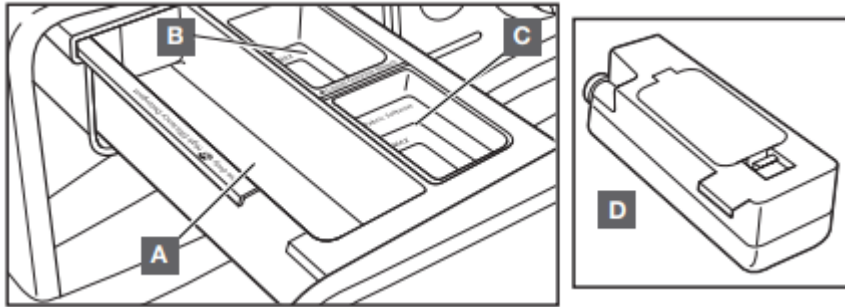
The Steam Clean option adds additional soak and wash time to many cycles to help remove tough stains, as well as a steam boost for added cleaning power. An integrated heater helps

to maintain optimal wash temperatures. See the “Cycle Guide” for cycles that allow the Steam Clean option.

## 8. DISPENSERS

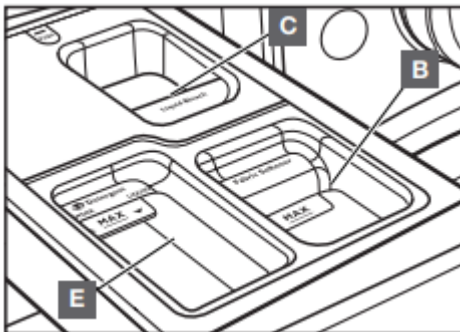
### Load & Go™ Dispenser Drawer (on some models)

The Load & Go™ dispenser drawer gives you the convenience of automatically adding HE detergent, liquid chlorine bleach, and liquid fabric softener to the wash load at the proper time. See “Using the Load & Go™ Dispenser Drawer” for information on using the dispenser drawer.



### Dispenser Drawer (on some models)

The dispenser drawer gives you the convenience of adding HE detergent, liquid chlorine bleach, and liquid fabric softener to the wash load at the proper time. See “Using the Dispenser Drawer” for information on using the dispenser drawer.



#### A. Powdered High Efficiency “HE” detergent compartment

This compartment holds powdered HE detergent for a single load.

#### B. Liquid fabric softener compartment

Automatically dilutes and dispenses liquid fabric softener at the optimum time in the cycle.

- Use only liquid fabric softener in this dispenser.

#### C. Liquid chlorine bleach compartment

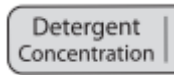
Automatically dilutes and dispenses liquid chlorine bleach at the optimum time during the first rinse after the wash cycle. This compartment cannot dilute powdered bleach.

## D. Load & Go™ Liquid High Efficiency “HE” detergent cartridge

Each dispenser cartridge holds up to 18.5 oz. (550 ml) of liquid HE detergent, enough for up to 36† loads, depending on cycle and detergent concentration.

The cartridge fits into compartment (B) of the dispenser drawer for convenient loading.

- Change detergent concentration setting if detergent used is different than factory preset of 2x concentration. See “About Detergent Concentration” section.



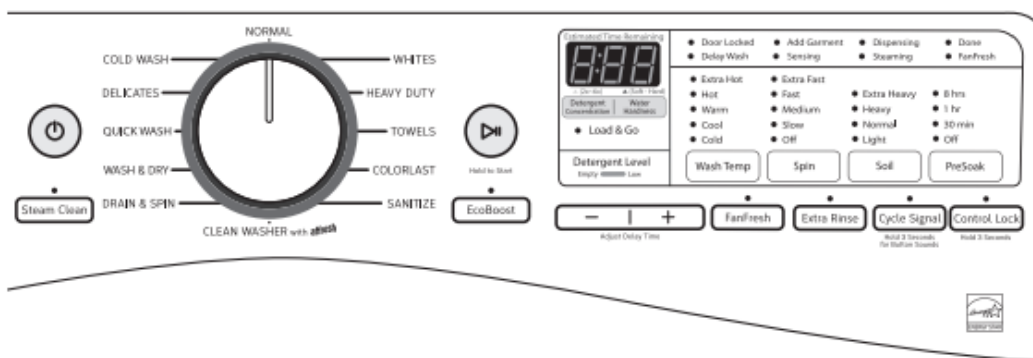
- Change water hardness setting if desired level is different than factory preset of Normal.



## E. Liquid High Efficiency “HE” detergent compartment

This compartment holds liquid or powdered HE detergent for your main wash cycle.

## CYCLE STATUS LIGHTS



The Cycle Status Lights show the progress of a cycle. At each stage of the process, you may notice sounds or pauses that are different from traditional washers.

### Load & Go™ Dispenser Drawer

This will be lit when the washer is on with the dispenser drawer closed and the cartridge in place. If the cartridge is removed and the drawer is closed, Load & Go will not light.

### Detergent Level

Low – This will light (yellow) if there is enough detergent in the Load & Go™ cartridge for only a few more cycles.

Empty – This will light (red) if there is no detergent in the Load & Go™ cartridge.

### Door Locked

Door Locked will light to indicate that the door is locked and cannot be opened without first pausing or canceling the cycle.

## **Add Garment**

When Add Garment is lit, you may pause the washer, open the door, and add items. Touch and hold START to start the washer again.

## **Dispensing**

This will light when the detergent is being dispensed.

## **Done**

Once the cycle is complete, this light will come on.

Remove the load promptly for best results.

## **Delay Wash**

This will light when a delay time has been set.

## **Sensing**

When START is touched, the washer will first perform a self-test on the door lock mechanism and the sensing light will come on. You will hear a click, the drum will make a partial turn, and the door will click again as it unlocks briefly. The door will click one more time when it locks again.

Once the door has locked the second time, the washer will begin tumbling and adding water. This sensing process will continue throughout the cycle. You may also hear water flowing through the dispenser, adding detergent to the load.

After the load size is sensed, the estimated time based on load size will be displayed. The actual cycle time may be lengthened; however, the display will continue to show the estimated time.

The sensing light will blink once a second at various times during the cycle, such as when the washer is reducing extra suds.

## **Steaming**

This will light to show that the cycle is using steam for added cleaning power.

## **FanFresh® Option**

The FanFresh indicator will light when the FanFresh® option is active. During this time, the washer will occasionally tumble the load while a fan circulates fresh air through the washer.

## **Using the Dispenser Drawer (on some models)**

1. Open the dispenser drawer.
2. Add laundry products as described in steps 4–6 in the “Using Your Washer” section.
3. Slowly close the dispenser drawer. Make sure it is completely closed.

**NOTE:** A small amount of water may remain in the dispensers from the previous wash cycle. This is normal.

## Adding HE detergent to dispenser

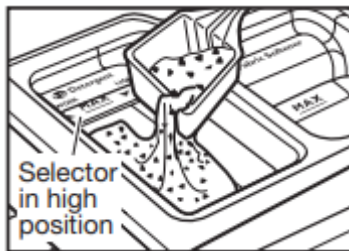


Pour a measured amount of HE detergent into detergent compartment. For powdered detergent, lift the selector to the high position. For liquid detergent, push down the selector to the low position.

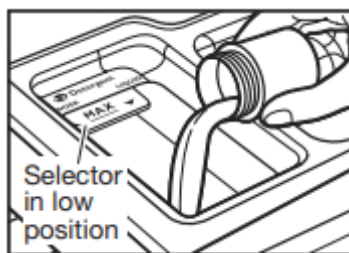
Do not overfill; adding too much detergent may cause detergent to be dispensed into the washer too early.



*Use only High Efficiency (HE) detergent.*



**Powdered detergent:** Lift the selector to the high position.



**Liquid detergent:** Push down the selector to the low position.

## IMPORTANT:

- Do not add single-dose laundry packet to dispenser drawer.
- Use powdered detergent when using the Delay Wash option. Liquid detergent may seep out before the wash begins.

## Using the Load & Go™ Dispenser Drawer (on some models)

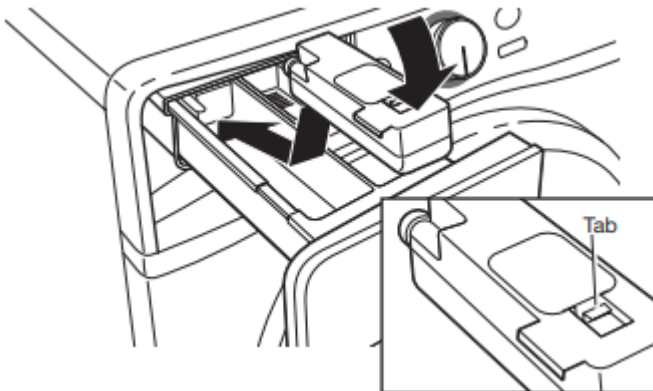
1. Open the dispenser drawer.
2. Add laundry products as described in steps 4–6 in the “Using Your Washer” section.
3. Slowly close the dispenser drawer. Make sure it is completely closed.

## NOTES:

- A small amount of water may remain in the dispensers from the previous wash cycle. This is normal.
- See “About Detergent Concentration” for information on detergent concentration.
- To ensure you have enough detergent in the dispenser, the display will show the detergent level (Low or Empty).
- Add single-dose and Oxi-type boosters, see “Using Your Washer” section.

## Adding HE detergent to dispenser

### Load & Go™ cartridge

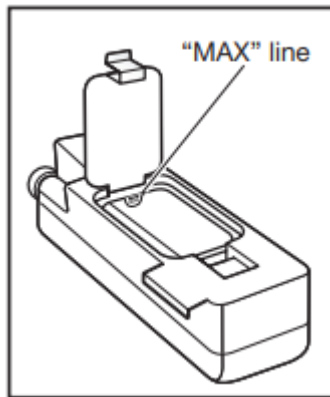


Use only HE High Efficiency liquid detergents. The dispenser cartridge will hold about 18.5 oz. (550 ml) of HE liquid detergent, or enough for up to 36 loads.†



*Use only High Efficiency (HE) detergent.*

**To Fill:** Push back on the tab and lift the fill door. Fill to the “MAX” line (see illustration at right) with HE liquid detergent. Close fill door. It will click into place.



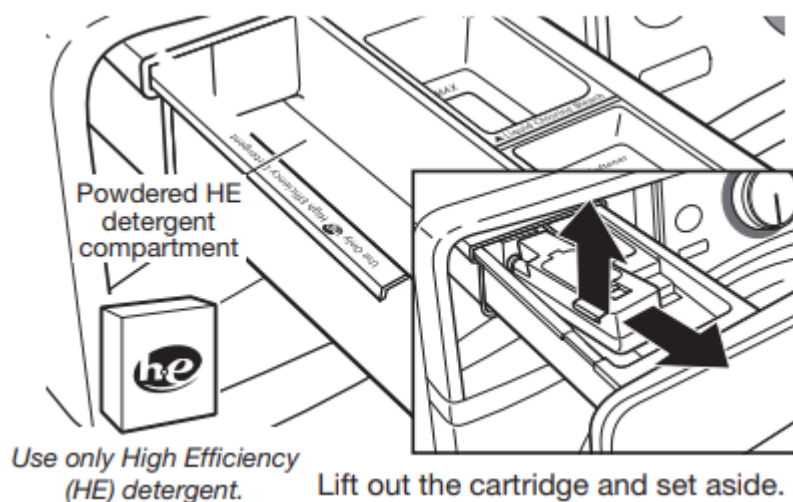
**To Install the Dispenser Cartridge:**

1. Pull out the dispenser drawer.
2. Insert the dispenser cartridge completely in detergent compartment as shown. It should click into position.
3. Slowly slide the dispenser drawer in until it is completely closed. The washer will automatically detect the dispenser cartridge.

**NOTE:** The dispenser cartridge should be rinsed out when changing detergents or when the washer will not be used for extended periods. For instructions on cleaning the dispenser cartridge, see “Washer Maintenance.”

*† The number of loads will vary, depending on detergent concentration, load size, cycle used, soil level, and water hardness. The maximum capacity of up to 36 loads requires use of 6x concentration detergent.*

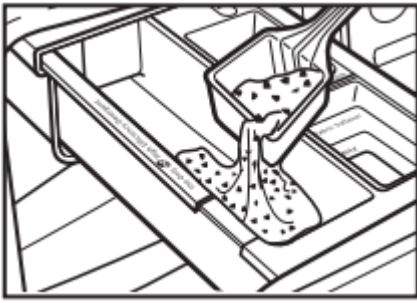
**Adding detergent for a single load**



**Powdered HE detergent**



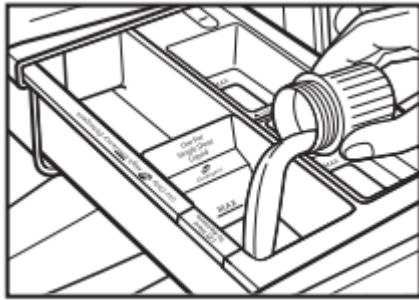
Place a measured amount of detergent in the powdered HE detergent compartment.



**Powdered detergent:** Add directly to the compartment.

### **Liquid HE detergent**

A single dose of liquid detergent can be added to the Single-Dose Liquid HE Detergent Cup, which you can purchase (see “Accessories” section).



**Liquid detergent:** Add to detergent cup.

### **IMPORTANT:**

- Do not use liquid detergents in the single-load compartment; liquid detergents may seep out of the detergent compartment before the main wash begins.
- Do not add single-dose laundry packet to dispenser drawer.
- If you are using the Delay Wash option, use of the dispenser cartridge is recommended, or powdered detergent may be used in the HE powdered detergent compartment.

### **Using two liquid HE detergents**

If you frequently alternate between two different liquid HE detergents, you can purchase an additional Load & Go™ cartridge.

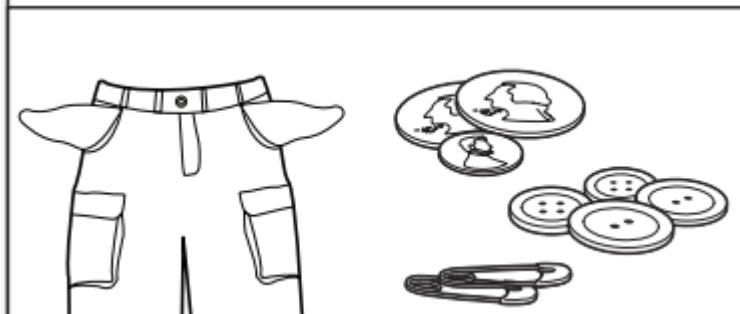
See “Accessories” for ordering information.

## **Using Your Washer**

### **First wash cycle without laundry**

Before washing clothes for the first time, add liquid or powdered HE detergent to the detergent dispenser. Choose the QUICK WASH cycle and run it without clothes. Use only HE detergent. This initial cycle serves to ensure the interior is clean and the dispenser drawer is ready for use before washing clothes.

### 1. Sort and prepare your laundry

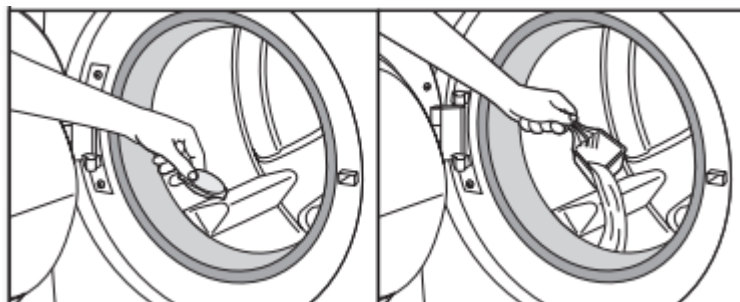


Sort items by recommended cycle, water temperature, and colorfastness. Separate heavily soiled items from lightly soiled. Separate delicate items from sturdy fabrics. Treat stains promptly and check for colorfastness by testing stain remover products on an inside seam.

#### IMPORTANT:

- Empty pockets. Loose change, buttons, or any small object can plug pumps and may require a service call.
- Close zippers, fasten hooks, tie strings and sashes, and remove non-washable trim and ornaments.
- Mend rips and tears to avoid further damage to items during washing.
- Turn knits inside out to prevent pilling. Separate lint-takers from lint-givers. Synthetics, knits, and corduroy fabrics will pick up lint from towels, rugs, and chenille fabrics.
- Do not dry garments if stains remain after washing because heat can set stains into fabric.
- Always read and follow fabric care labels and laundry product instructions. Improper usage may cause damage to your garments.

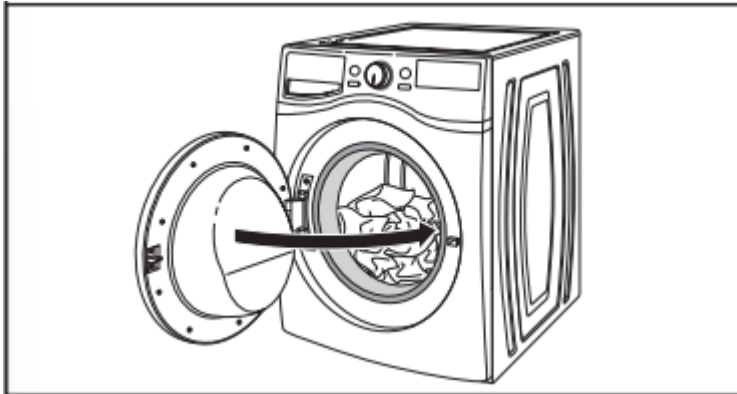
### 2. Add laundry products (if desired)



Single-dose laundry packets, Oxi-type boosters, color-safe bleach, or fabric softener crystals can be added to the drum prior to adding laundry.

**NOTE:** Always follow manufacturer’s instructions.

### 3. Load laundry into washer

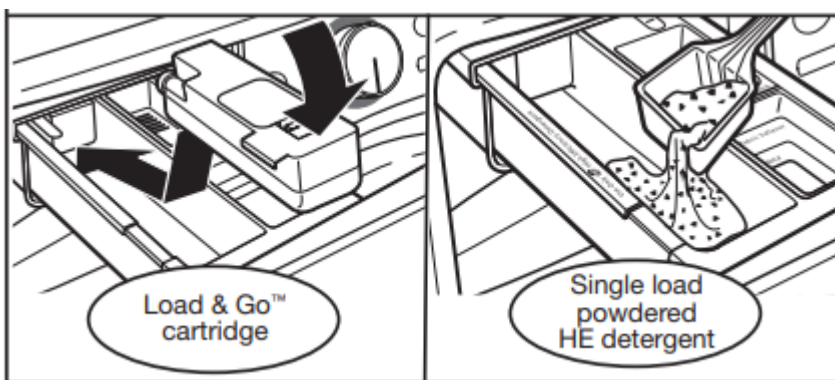


Place a load of sorted items loosely in the washer. Items need to move freely for best cleaning and to reduce wrinkling and tangling. Close the washer door by pushing it firmly until the latch clicks.

- Depending on load type and cycle, the washer can be fully loaded, but not tightly packed. Washer door should close easily. See “Cycle Guide” for loading suggestions.
- Mix large and small items and avoid washing single items. Load evenly.
- Wash small items in mesh garment bags. For multiple items, use more than one bag and fill bags equally.

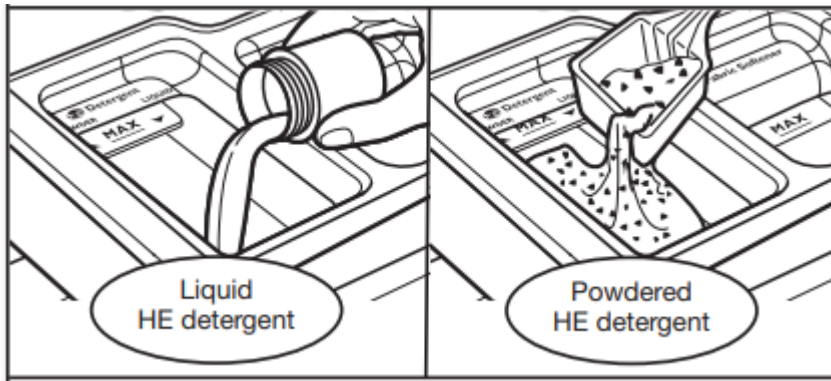
### 4. Add HE detergent

#### Load & Go™ Dispenser Drawer



Select detergent dispenser, based on type of HE detergent used (either liquid or powdered). See “Using the Load & Go™ Dispenser Drawer” instructions on how to use the dispenser.

#### Dispenser Drawer

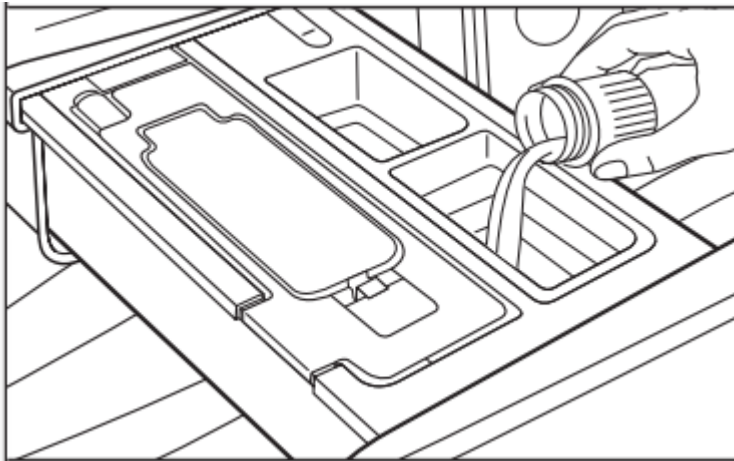


Adjust the selector, based on type of HE detergent used (either liquid or powdered). See “Using the Dispenser Drawer” instructions on how to use the dispenser.

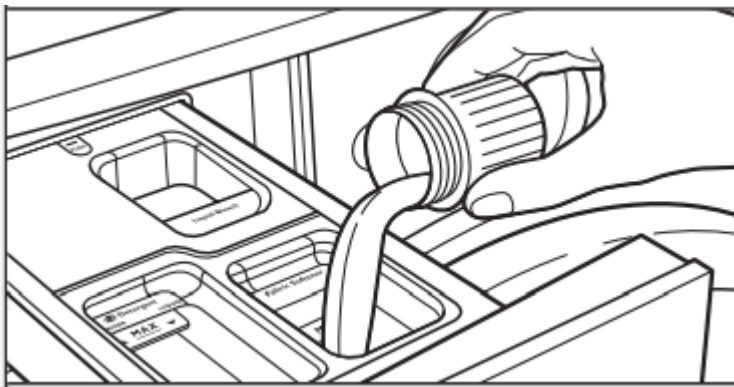
**NOTE:** Do not add single-dose laundry packets, Oxi-type boosters, color-safe bleach, or fabric softener crystals to dispensers. They will not dispense correctly.

### 5. Add liquid fabric softener to dispenser (if desired)

Load & Go™ Dispenser Drawer



Dispenser Drawer



Pour a measured amount of liquid fabric softener into liquid fabric softener compartment. Always follow manufacturer’s directions for correct amount of fabric softener based on your load size.

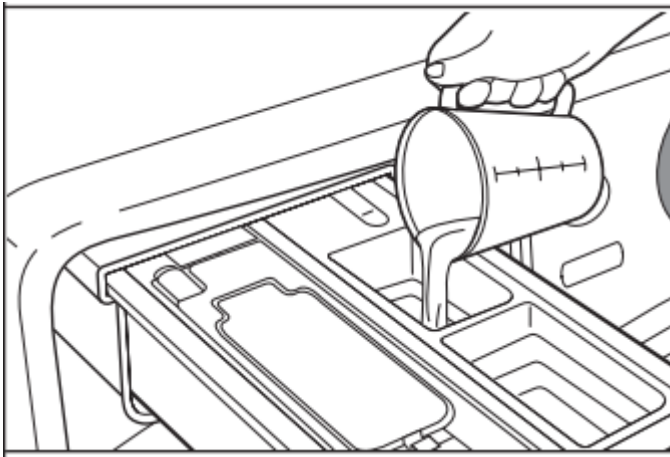
Fabric softener is always dispensed in the last rinse, even if Extra Rinse is selected.

**IMPORTANT:** Do not overfill, dilute, or use more than  $\frac{1}{4}$  cup (60 mL) of fabric softener. Do not fill past the Max line. Overfilling dispenser will cause fabric softener to immediately dispense into washer.

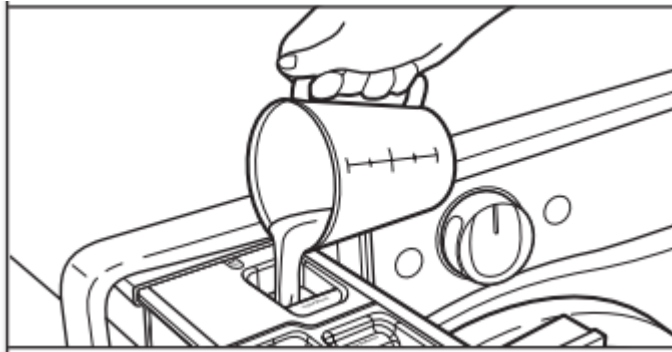
- Do not spill or drip any fabric softener onto the clothes.
- Do not use liquid fabric softener dispenser balls in this washer. They will not dispense correctly.

## 6. Add liquid chlorine bleach to dispenser (if desired)

Load & Go™ Dispenser Drawer



Dispenser Drawer

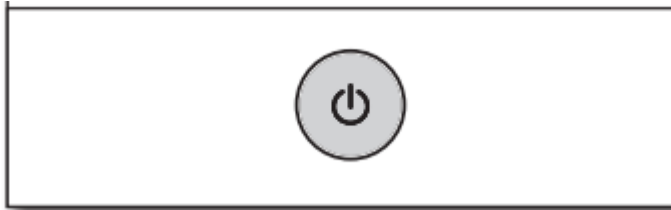


Add liquid chlorine bleach to the bleach compartment. Do not overfill, dilute, or use more than  $\frac{2}{3}$  cup (165 mL). Do not use color-safe bleach or Oxi in the same cycle with liquid chlorine bleach.

**IMPORTANT:**

- Always measure liquid chlorine bleach. Use a measuring cup with a pour spout; do not guess.
- Do not fill beyond the Max level. Overfilling could cause garment damage.
- Do not use thickened, easy-pour, or no-splash bleach when running the Clean Washer with affresh® cycle as excess suds may occur.

**7. Touch POWER to turn on washer**



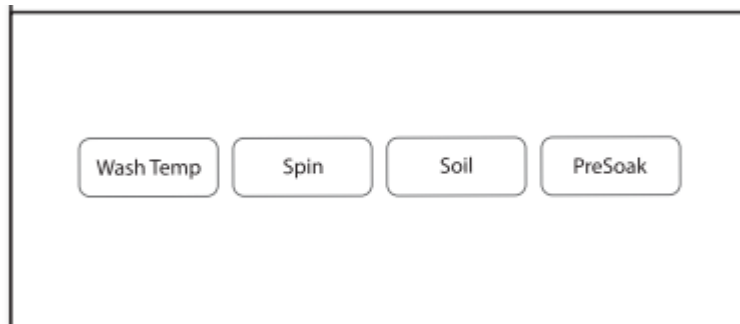
Slowly close the Load & Go™ Dispenser drawer. Make sure the drawer is closed completely, then touch POWER to turn on the washer or go to Step 8.

**8. Select CYCLE\***



Turn cycle knob to select your wash cycle. See “Cycle Guide” for details on cycle features.

**9. Adjust settings, if desired\***



The display will show the default settings for the selected cycle. To adjust a setting, touch its name – Wash Temp, Spin, Soil, or PreSoak. Adjusting settings will change the Estimated Time Remaining. Tightly packing the load, unbalanced loads, or excessive suds may also cause the washer to increase the cycle time.

You can also adjust the detergent concentration and water hardness settings, if needed. Default settings are 2x detergent concentration and normal water hardness. If the detergent concentration is not listed on the package, see “About Detergent Concentration” to calculate the concentration.

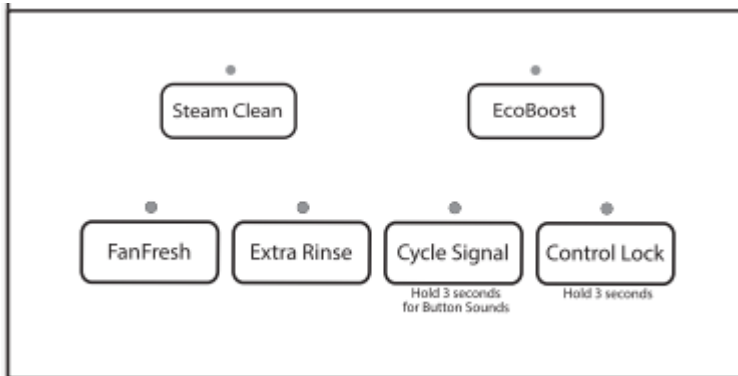
**To Adjust Dispenser Settings:**



1. Touch DETERGENT CONCENTRATION until the desired concentration appears on the time display.

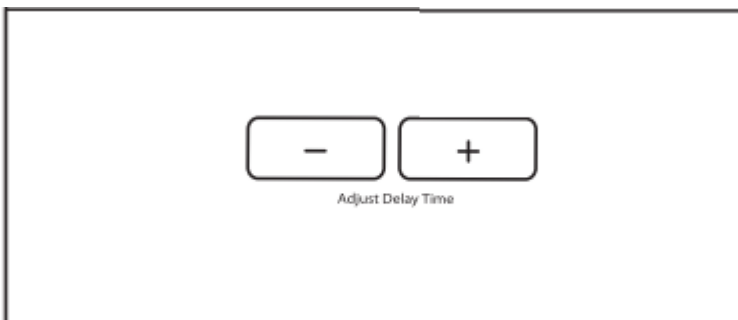
2. Touch WATER HARDNESS until the desired water hardness appears on the time display

### 10. Select any additional options\*



To add an option to the cycle, touch its name – Steam Clean, EcoBoost™, FanFresh®, Extra Rinse, Cycle Signal, or Control Lock. To remove an option from the selected cycle, touch the option again.

### 11. Setting a delayed wash

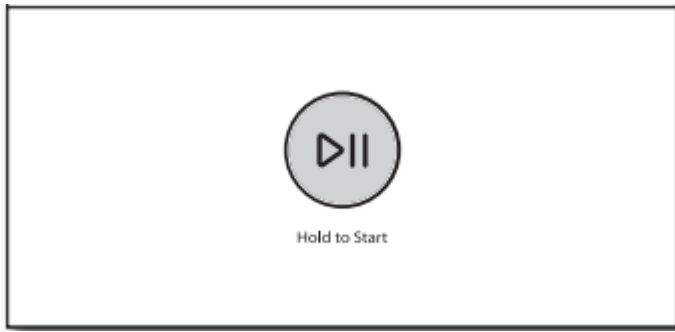


If you do not want to begin a cycle immediately, you may choose the Delay Wash option. This will delay the start of the wash cycle by up to 8 to 12 hours, depending on your model.

#### To set a Delayed Start:

1. Touch ADJUST DELAY TIME + or – to set the desired delay time.
2. Touch START to start the delay countdown. The countdown stops blinking.

### 12. Touch and hold START to begin wash cycle

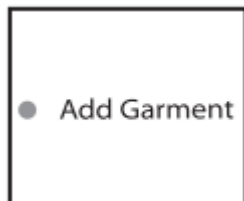


Touch and hold START for 3 seconds to start the wash cycle. To pause a cycle in progress, touch START once, then touch and hold again to continue the cycle. To cancel a cycle, touch POWER.

Once you touch and hold START, you will hear the door lock, unlock, and lock again. The washer door will remain locked during the wash cycle.

### **Unlocking the door to add garments:**

If you need to open the door to add 1 or 2 missed garments, you may do so while the “Add Garment” light is lit. The time allowed to add a garment will vary based on cycle selection and load size.



Touch START once; the door will unlock once the washer movement has stopped. This may take several minutes. Then close door and touch and hold START again to restart the cycle.

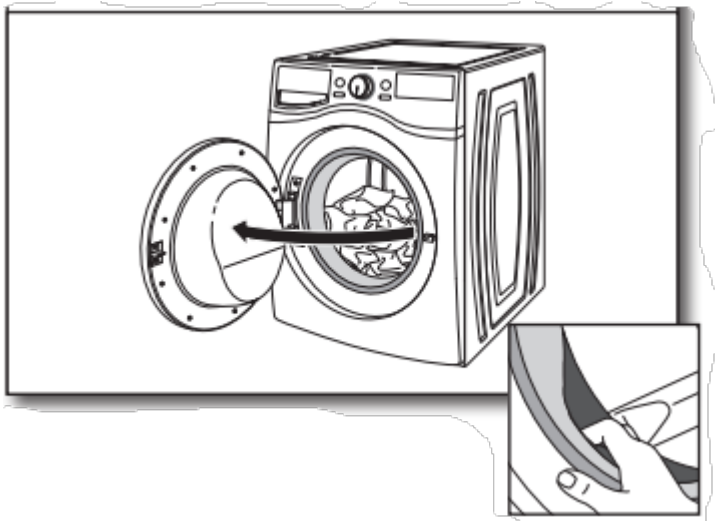


### **Adding items after “Add Garment” light is off:**

Cancel current cycle. Water will drain and you will need to reselect cycle and restart.

For wash performance and optimal energy savings, add garments only when the “Add Garment” light is on.

### **13. Remove garments promptly after cycle is finished**



Promptly remove garments after cycle has completed to avoid odor and rusting of metal objects on garments. When unloading garments, pull back the door seal and check for small items between the tub and the washer drum.

If you will be unable to remove the load promptly, use the FanFresh® option. If the FanFresh® option is selected, the washer will automatically activate the fan and tumble the load periodically for up to 12 hours. To turn off the FanFresh® option, touch POWER. To set the washer so that the FanFresh® option does not come on for future cycles, touch FANFRESH.

**NOTE:**

- The door will remain locked while the FanFresh® option is active. To cancel the option and unlock the door, touch POWER.
- A small amount of water may remain in the dispensers after the wash cycle is complete. This is normal.
- This washer has a tight seal to avoid water leaks. To avoid odors, leave the door open to allow the washer to dry between uses.

## Washer Maintenance

### WATER INLET HOSES

Replace inlet hoses after 5 years of use to reduce the risk of hose failure. Periodically inspect and replace inlet hoses if bulges, kinks, cuts, wear, or leaks are found.

When replacing your inlet hoses:

- Mark the date of replacement on the label with a permanent marker.
- Check that the old washers are not stuck on the washer inlet valves.
- Use new washers in the new inlet hoses to ensure a proper seal.

## WASHER CARE

### Recommendations to Help Keep Your Washer Clean and Performing at Its Best

1. Always use High Efficiency (HE) detergents and follow the HE detergent manufacturer's instructions regarding the amount of HE detergent to use. Never use more than the recommended amount because that may increase the rate at which detergent and soil residue accumulate inside your washer which, in turn, may result in undesirable odor.
2. Use warm or hot water washes sometimes (not exclusively cold water washes) because they do a better job of controlling the rate at which soils and detergent accumulate.
3. Always leave the washer door slightly ajar between uses to help dry out the washer and avoid the buildup of odor-causing residue.
4. Periodically clean residue from all interior surfaces of the glass window. For better care, wipe the entire inside of the glass door with a damp cloth.

### Cleaning Your Front Loading Washer

Read these instructions completely before beginning the routine cleaning processes recommended below. This Washer Maintenance Procedure should be performed, at a minimum, once per month or every 30 wash cycles, whichever occurs sooner, to control the rate at which soils and detergent may otherwise accumulate in your washer.

### Cleaning the Door Seal

1. Open the washer door and remove any clothing or items from the washer.
2. Inspect the gray colored seal between the door opening and the drum for stained areas or soil buildup. Pull back the seal to inspect all areas under the seal and to check for foreign objects.
3. If stained areas or soil buildup are found, wipe down these areas of the seal using either of the following two procedures:
  - a. affresh® Machine Cleaning Wipes Procedure:
    - i. When the cycle is complete, gently pull back the rubber door seal and clean the entire surface with the textured side of an affresh® Machine Cleaning Wipe.
  - b. Dilute Liquid Chlorine Bleach Procedure:
    - i. Mix a dilute bleach solution, using  $\frac{3}{4}$  cup (177 mL) of liquid chlorine bleach and 1 gallon (3.8 L) of warm tap water.
    - ii. Wipe the seal area with the dilute solution, using a damp cloth.
    - iii. Let stand 5 minutes. iv. Wipe down area thoroughly with a dry cloth and let washer interior air dry with door open.

**IMPORTANT:**

- Wear rubber gloves when cleaning with bleach.
- Refer to the bleach manufacturer's instructions for proper use.

**Cleaning the Inside of the Washer**

This washer has a special cycle that uses higher water volumes in combination with affresh® Washer Cleaner or regular liquid chlorine bleach to thoroughly clean the inside of the washer. Steam washer models also utilize steam to enhance cleaning in this special cycle.

**IMPORTANT:** Do not use thickened, easy-pour, or no-splash bleach when running the Clean Washer with affresh® cycle as excess suds may occur.

**NOTE:** Read these instructions completely before beginning the cleaning process.

**Begin procedure****1. Clean Washer with affresh® Cycle Procedure (Recommended for Best Performance):**

- a. Open the washer door and remove any clothing or items.
- b. Use an affresh® Machine Cleaning Wipe or a soft, damp cloth or sponge to clean the inside door glass.
- c. Add an affresh® Washer Cleaner tablet to the washer drum.
- d. Do not add the affresh® Washer Cleaner tablet to the dispenser drawer.
- e. Do not add any detergent or other chemical to the washer when following this procedure.
- f. Close the washer door.
- g. Select the Clean Washer with affresh® cycle.
- h. On some models: Select the FanFresh® option to help dry the washer interior after the cycle is complete.

**NOTE:** The washer remembers your last option selection and will use it for future wash cycles until you deselect that option. While the fan is on, the washer door will lock. To unlock the door, touch POWER.

- i. Touch and hold START to begin the cycle. The Clean Washer with affresh® Cycle Operation is described below.

**2. Chlorine Bleach Procedure:**

- a. Open the washer door and remove any clothing or items.
- b. Open the dispenser drawer and add regular liquid chlorine bleach to the MAX level in both the bleach compartment and the fabric softener compartment. Either traditional or HE chlorine bleach can be used.

**IMPORTANT:** Do not use thickened, easy-pour, or no-splash bleach as excess suds may occur.

**NOTE:** Use of more liquid chlorine bleach than is recommended above could cause washer damage over time.

- c. Close the washer door and the dispenser drawer.
- d. Do not add any detergent or other chemicals to the washer when following this procedure.
- e. Close the washer door.
- f. Select the Clean Washer with affresh® cycle.
- g. On some models: Select the FanFresh® option to help dry the washer interior after the cycle is complete. **NOTE:** The washer remembers your last option selection and will use it for future wash cycles until you deselect that option. While the fan is on, the washer door will lock. To unlock the door, touch POWER.
- h. Touch and hold START to begin the cycle. The Clean Washer with affresh® Cycle Operation is described below.

**NOTE:** For best results, do not interrupt cycle.

#### **Description of Clean Washer with affresh® Cycle Operation:**

1. The Clean Washer with affresh® cycle will determine whether clothing or other items are in the washer.
2. If no items are detected in the washer, it will proceed with the cycle.
  - a. If any items are detected in the washer, “rL” (remove load) will be displayed. The door will unlock. Open washer and remove any garments from the washer drum.
  - b. Touch POWER to clear the “rL” code. c. Touch and hold START to restart the cycle.
3. Steam models only: During the first 20 minutes of the cycle, it will activate the steamer but the drum will not spin or fill with water. You may see condensation on the door glass during this initial phase. If you are using an affresh® Washer Cleaner tablet, it will not dissolve completely during the steam phase. This is normal.

After the cycle is complete, leave the door open slightly to allow for better ventilation and drying of the washer interior.

#### **Cleaning the Dispensers**

After a period of using your washer, you may find some residue buildup in the washer’s dispensers. To remove residue from the dispensers, remove the drawer and wipe the surfaces with an affresh® Machine Cleaning Wipe or a damp cloth and towel dry either before or after you run the Clean Washer with affresh® cycle. Use an all-purpose surface cleaner, if needed.

**IMPORTANT:** Dispenser is not dishwasher safe.

#### **Cleaning the Outside of the Washer**

Use an affresh® Machine Cleaning Wipe or a soft, damp cloth or sponge to wipe up any spills. Occasionally wipe the outside of your washer to help keep it looking new. Use an affresh® Machine Cleaning Wipe or mild soap and water.

**IMPORTANT:** To avoid damaging the washer's finish, do not use abrasive products.

## CLEAN WASHER CYCLE REMINDER

**NOTE:** Not all models have the Clean Washer with affresh® cycle reminder light.

The Clean Washer with affresh® LED will flash at the end of a wash cycle when the washer has run 30 wash cycles. This is a reminder to run the Clean Washer with affresh® cycle.

If the Clean Washer with affresh® cycle is not turned on, the LED will stop flashing at the end of a wash cycle after running 3 more regular wash cycles. After 30 more wash cycles are completed, the Clean Washer with affresh® LED will again flash at the end of a wash cycle as a reminder.

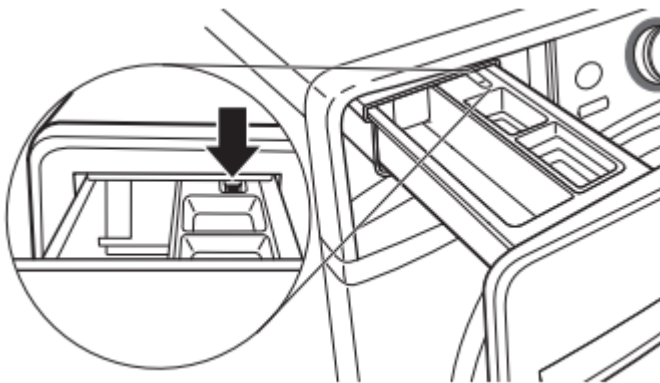


## REMOVING THE DISPENSER

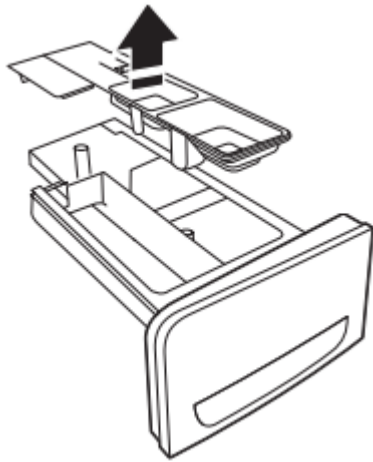
### Load & Go™ Dispenser Drawer

To remove:

1. Pull dispenser drawer out until it stops.
2. Press down on the release tab and pull straight out to remove the dispenser.

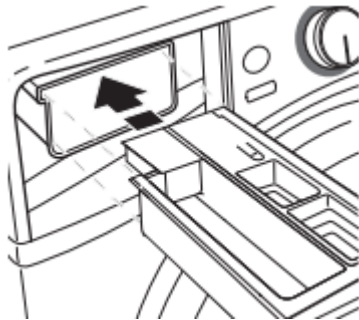


3. Lift off cover panel by pulling straight up.



**To replace:**

1. Slide cover panel back onto posts on dispenser.
2. Align edges of dispenser with guides in washer; then slide dispenser back into slot.

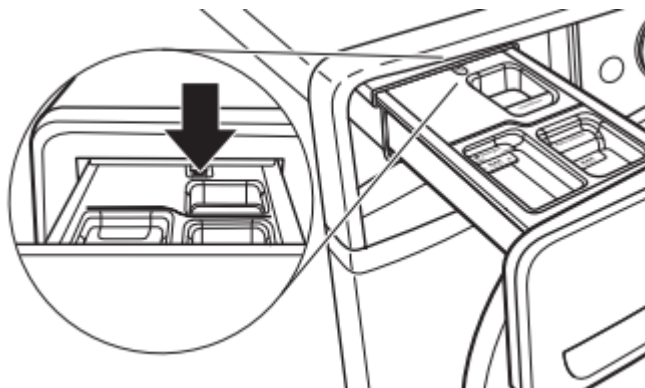


**Dispenser Drawer**

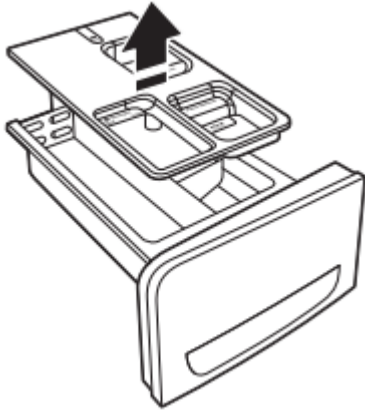
**Removing the Dispenser**

**To remove:**

1. Pull dispenser drawer out until it stops.
2. Press down on the release tab and pull straight out to remove the dispenser.

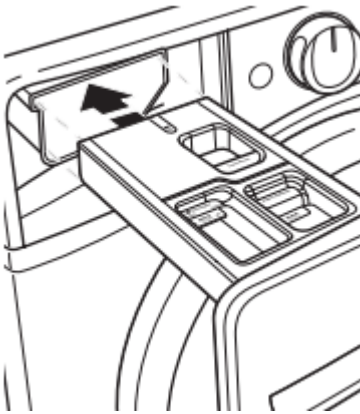


3. Lift off cover panel by pulling straight up.



**To replace:**

1. Slide cover panel back onto posts on dispenser.
2. Align edges of dispenser with guides in washer, then slide dispenser back into slot.

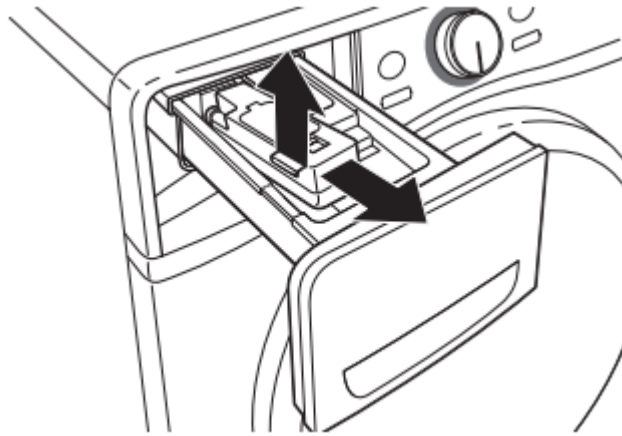


**CLEANING LOAD & GO™ CARTRIDGE (on some models)**

It is recommended that you rinse out the Load & Go™ cartridge when changing detergent types or concentrations, or when the washer will not be used for an extended period.

1. Pull dispenser out until it stops.
2. Lift out the Load & Go™ cartridge.
3. Lift cover on cartridge, wipe out interior with an affresh® Machine Cleaning Wipe or a damp cloth, and flush interior thoroughly with warm water.
4. Allow to air dry or wipe with a clean, soft towel.

**IMPORTANT:** Cartridge is not dishwasher safe.



## NON-USE AND VACATION CARE

Operate your washer only when you are home. If moving or not using your washer for a period of time, follow these steps:

1. Unplug or disconnect power to washer.
2. Turn off water supply to washer to avoid flooding due to water pressure surges.

**HELPFUL TIP:** Attach a reminder note to the washer to turn the water back on before washer's next use.

3. Clean the dispensers. See "Cleaning the Dispensers."

## WINTER STORAGE CARE

**IMPORTANT:** To avoid damage, install and store washer where it will not freeze. Because some water may stay in hoses, freezing can damage washer. If storing or moving during freezing weather, winterize your washer.

### To winterize washer:

1. Shut off both water faucets, then disconnect and drain water inlet hoses. **HELPFUL TIP:** Attach a reminder note to the washer to turn the water back on before washer's next use.
2. Put 1 qt. (1 L) of R.V.-type antifreeze in washer drum and run washer on Normal cycle for about 2 minutes to mix antifreeze and remaining water.
3. Unplug washer or disconnect power.

## TRANSPORTING YOUR WASHER

1. Shut off both water faucets. Disconnect and drain water inlet hoses.
2. If washer will be moved during freezing weather, follow "Winter Storage Care" directions before moving.
3. Disconnect drain hose from drain system and from back of washer.

4. Unplug power cord.
5. Place inlet hoses and drain hose inside washer drum.
6. Bundle power cord with a rubber band or cable tie to keep it from hanging onto the ground.

**IMPORTANT:** Call for service to install new transport bolts. Do not reuse transport bolts. Washer must be transported in the upright position. To avoid structural damage to your washer, it must be properly set up for relocation by a certified technician.

#### REINSTALLING/USING WASHER AGAIN

To reinstall washer after non-use, vacation, winter storage, or moving:

1. Refer to Installation Instructions to locate, level, and connect washer.
2. Before using again, run washer through the following recommended procedure:

#### **To use washer again:**

1. Flush water pipes and hoses. Reconnect water inlet hoses. Turn on both water faucets.
2. Plug in washer or reconnect power.
3. Run washer through Heavy Duty cycle to clean washer and remove antifreeze, if used. Use only HE detergent. Use half the manufacturer's recommended amount for a medium-size load.

# Troubleshooting



If you experience	Possible Causes	Solution
<b>Error Code Appears in Display (for 2 and 3 digit displays)</b>		
Once any possible issues are corrected, touch POWER once to clear the code. Reselect and restart the cycle.		
<p>"Sd" or "Sud" (excess suds) appears in display</p>	<p>Excessive suds in washer. Washer is running a suds reduction routine.</p>	<p>Allow the washer to continue. Use only HE detergent. Always follow the detergent manufacturer's instructions to determine the amount of detergent to use. Detergent quantity on load size. Not all detergents labeled as High Efficiency are identical in formulation and their ability to reduce suds.</p> <p>For example, natural, organic, or homemade detergents may generate a high level of suds. If you use one of these and see a "SUD" error code in the display, consider using a different HE detergent.</p> <hr/> <p>Touch WATER HARDNESS to change water hardness to "soft."</p>
<p>"dEt" (Detergent) appears in display (on some models)</p>	<p>The dispenser cartridge is not detected.</p>	<p>Ensure the dispenser cartridge is inserted correctly and the dispenser drawer is shut completely. If you see multiple doses of detergent when cartridge has been inserted, ignore this message.</p>
<p>Lo followed by FL or F8 followed by E1 or Lo followed by FL or F08 followed by E01 (water supply error) appears in display</p>	<p>Check for proper water supply.</p>	<p>Unit will drain for 8 minutes while door remains closed. The drain cycle must be allowed to complete. If error code cannot reset. When complete, touch POWER once to clear the code. Then touch POWER to restart washer. If code appears again, call a service technician.</p> <hr/> <p>Both hoses must be attached and have water flowing to the inlet valve.</p> <hr/> <p>Both hot and cold water faucets must be open.</p>



		Inlet valve screens on washer may be clogged.
		Remove any kinks in the inlet hose.
		If used, auto shut-off connectors and hoses must be properly installed and in working order.
	Check for proper inlet hoses.	Use only manufacturer's recommended hoses.
F9 followed by E1 or F09 followed by E01 (drain pump system error) appears in display	Check plumbing for correct drain hose installation. Drain hose extends into standpipe farther than 4V2" (114 mm).	Check drain hose for proper installation.
		Make sure the drain hose is not kinked, pinched, or blocked.
		Remove any clogs from drain hose.
		Use drain hose form and securely attach to standpipe tub.
	Lower drain hose if the end is higher than the floor level above the floor.	
	Not using HE detergent or using too much HE detergent.	Use only HE detergent. Always measure detergent. Always follow manufacturer's directions based on soil level.
F5 followed by E2 or F05 followed by E02 (door will not lock) appears in display	Washer door not locking.	Touch POWER to cancel the cycle. Check if door is closed completely and latching. Check if there are items in washer drum that may be keeping the door from closing completely.
"rL" (remove load) appears in display	Load detected in drum during Clean Washer with affresh® cycle.	Remove items from washer drum and rerun Clean Washer with affresh® cycle.
	Detergent dispenser is not securely in place.	Pull out the dispenser, fill with detergent, and push back in place.



All detergent level status lights are lit (on some models)		
All detergent level status lights are lit (on some models) (cont.)	Detergent Level sensor error.	Touch POWER to reset system. If all det LEDs remain lit, unplug washer for 30 se plug back in. If problem remains, remove use single-load dispensing until problem resolved.
F# E# or F## E## code other than as described above appears in display	System error code.	Touch POWER once to clear the code. T POWER again to restart washer. If code call for service. Unplug washer for 30 se plug back in.
Washer making error beeps	Door has not been opened and closed for at least 3 cycles.	This code may occur when the washer is Open and close the door to clear the dis
Washer beeps when START is touched	Door not closed.	Close the door completely.
Clean Washer LED flashing at end of wash cycle (on some models)	The washer has run 30 wash cycles and is indicating a reminder to run the Clean Washer with affresh® cycle.	Run the Clean Washer with affresh® cyo Washer with affresh® cycle is not turned will stop flashing at the end of a wash cy running 3 more regular wash cycles. Afte wash cycles are completed, the Clean W affresh® LED will again flash at the end as a reminder.



If you experience	Possible Causes	Solution
<b>Vibration or Off-Balance</b>		
Vibration, rocking, or “walking”	Feet may not be in contact with the floor and locked.	Front and rear feet must be in firm contact with the floor and washer must be level to operate properly. Feet must be tight against the bottom of the washer.
	Washer may not be level.	Check floor for flexing or sagging. If floor is uneven, place a 1/2" (19 mm) piece of plywood under your feet to reduce sound. Do not install washer on a wooden platform.  See “Level the Washer” in Installation Instructions.
	Load could be unbalanced or too large.	Avoid tightly packing the load. Avoid washing bulky items. Balance a single item such as a jacket with a few extra items.  Item or load not suitable for selected cycle. See “Load Capacity” in “User’s Guide” and “Using Your Washer.”
	The shipping bolts are still in the back of the washer.	See “Remove transport bolts from washer” in Installation Instructions.
<b>Noises</b>		
Clicking or metallic noises	Door locking or unlocking.	The door will lock, unlock, and lock again 3 clicks after touching and holding START/PAUSE. This is normal.
	Objects caught in washer drain system.	Empty pockets before washing. Loose items or coins could fall between washer drum and pump. It may be necessary to call a technician to remove items.



		It is normal to hear metal items on clothes touching each other or metal snaps, buckles, or zippers touching the stainless steel drum.
Gurgling or humming	Washer may be draining water.	The pump may make a humming sound or gurgling or surging as final amounts of water are removed during the spin/drain cycles. This is normal at certain stages of the cycle.
Rolling or sloshing and occasional clicking (on slow-speed spin)	Steel balls in the balancing system are balancing the load.	This is normal at certain stages of the cycle.
<b>Water Leaks</b>		
Check the following for proper installation	Fill hoses not attached tightly.	Tighten fill-hose connection.
	Fill hose washers.	Properly seat all four fill-hose flat washers.
	Drain hose connection.	Check that the drain hose is properly seated in the drainpipe or laundry tub.
	Check household plumbing for leaks or clogged sink or drain.	Water can back up out of a clogged sink or drain. Check all household plumbing for leaks (including sink, drain pipe, water pipes, and faucets.)
	Strainer (or nylon stocking) on end of drain hose is clogged.	Remove strainer/stocking from drain hose.



<b>Water Leaks (cont.)</b>		
Water or suds leaking from door or rear of cabinet	Not using HE detergent or using too much HE detergent.	Only use HE detergent. Suds from regular cause leaking from the door or rear of cabinet. Measure detergent and follow manufacturer's instructions based on your load requirements.
	Using thickened, easy-pour, or no-splash bleach when running the Clean Washer with affresh® cycle.	Use affresh® tablet or regular, non-thickened bleach when running the Clean Washer with affresh® cycle.
	Residue on door glass.	Periodically clean the underside of the glass to avoid potential leaks.
	Door opened during "Add Garment."	Water can drip off the inside of the door when opened after the start of a cycle.
Leaking around door	Hair, lint, or other debris on inner door glass preventing proper seal with rubber door seal.	Clean inner door glass and seal. See "Cleaning the Seal" in the "Washer Maintenance" section.
<b>Washer not performing as expected</b>		
Load not completely covered in water	Water level not visible on door or does not cover clothes.	This is normal for an HE front-load washer. The washer senses load sizes and adds the correct amount of water for optimal cleaning.
Washer won't run or fill; washer stops working	Check for proper water supply.	Both hoses must be attached and have water flowing into the inlet valve.
		Both hot and cold water faucets must be turned on.
		Check that inlet valve screens have not become clogged.
		Check for any kinks in inlet hoses, which could restrict water flow.



Check proper electrical supply.	Plug power cord into a grounded 3 prong outlet.
	Do not use an extension cord.
	Ensure there is power to outlet.
	Do not plug into a GFI (Ground Fault Circuit Interrupter).
	Check electrical source or call an electrician if voltage is low.
	Reset a tripped circuit breaker. Replace any blown fuses. NOTE: If problems continue, contact an electrician.



**Washer not performing as expected (cont.)**

<p>Washer won't run or fill; washer stops working (cont.)</p>	<p>Normal washer operation.</p>	<p>Door must be completely closed and latch engaged for washer to run.</p>
		<p>Washer will pause during certain phases of the cycle. Do not interrupt cycle.</p>
		<p>The washer pauses for about 2 minutes during certain cycles. Allow the cycle to continue. Some cycles include feature periods of tumbling and soak.</p>
		<p>Washer may be stopped to reduce suds. Add proper amount of <b>HE</b> detergent.</p>
		<p>Cold Wash uses less water in the beginning of the cycle to provide a high concentration of detergent for optimal cleaning action. Following this cold wash, more water is used to complete the cycle.</p>
		<p>During the first 20 minutes of the Clean &amp; Refresh cycle, it will activate the steam. The washer will not spin or fill with water. You may see some condensation on the door glass during this cycle. If you are using an affresh® Washer Cleaner, it will not dissolve completely during the steam cycle. This is normal.</p>
		<p>The washer door is not firmly shut.</p>
<p>Washer not loaded as recommended.</p>	<p>Remove several items and rearrange load in the washer drum. Close door; then touch start.</p>	
	<p>Do not add more than 1 or 2 additional items after the cycle has started to avoid tightly packing or unbalanced load.</p>	



		Do not add more water to the washer.
	Not using HE detergent or using too much HE detergent.	Only use HE detergent. Suds from regular detergent can slow or stop the washer. Always measure detergent, following manufacturer's directions for your load requirements.  To remove suds, cancel cycle. Select Delay Start with Extra Rinse. Touch START. Do not add more detergent.
	Door not opened between cycles.	After any wash cycle is completed, the door should be opened and then closed before a new cycle begins.
Washer not draining/spinning; loads are still wet	Drain hose extends into standpipe farther than 4.5" (114 mm).	Check drain hose for proper installation. Do not use tape to seal hose form and securely attach to drainpipe. Do not tape over drain opening.
	The drain hose is clogged, or the end of the drain hose more than 96" (2.4 m) above the floor.	Lower drain hose if the end is higher than 96" above the floor. Remove any clogs from drain hose. See "Installation Requirements" in Installation Instructions.
	Strainer/stocking on end of drain hose.	Remove strainer/stocking from drain hose.
	The drain hose fits too tightly in the standpipe, or it is taped to the standpipe.	The drain hose should be loose yet fit snugly. Do not seal the drain hose with tape. The hose should not have a gap. See "Secure the Drain Hose" in Installation Instructions.



<b>Washer not performing as expected (cont.)</b>		
Washer not draining/ spinning; loads are still wet (cont)	Using cycles with a slower spin speed.	Cycles with slower spin speeds remove water more slowly than cycles with fast spin speeds. Use the recommended cycle/ speed spin for your garment.
	Washer not loaded as recommended.	A tightly packed or unbalanced load may prevent the washer to spin correctly, leaving the load wet. Load size should be normal. See “Cycle Guide” for load size and balance recommendation for each cycle.
	The load may be out of balance.	Avoid washing single items. Balance a load by adding items such as a rug or jeans jacket with a few items.
	Not using HE detergent or using too much HE detergent.	Use only HE detergent. Suds from regular detergent can slow or stop spinning. Always measure and follow manufacturer's directions for your load. To remove extra suds, select DRAIN & SPIN with EXTRA RINSE. Do not use too much detergent.
	Small items may have been caught in the pump or stuck between the washer drum and the outer tub.	Check the drum for any items sticking through the drum holes. Empty pockets and use garment bags when washing small items.
	There are too many clothes in the Wash & Dry cycle.	Only use the Wash & Dry cycle for 2-4 loads of synthetic garments, athletic uniforms, or towels.
	Door locked at end of wash cycle	Water remaining in washer after cycle.
	FanFresh® option is on.	While this option is on, the fan blows air over the load and tumbled periodically for up to 12 hours. The washer door remains locked during this time. To unlock the door, cancel the FanFresh® option by touching the FanFresh® button.



Door will not unlock	Door locks when cycle has started.	If the “Add Garment” light is lit, touch S door will unlock.
Incorrect or wrong wash or rinse temperatures	Check for proper water supply.	Make sure hot and cold inlet hoses are
		Both hoses must be attached to both w faucet, and have both hot and cold water inlet valve.
		Check that inlet valve screens are not c
	Remove any kinks in hoses.	
	Washing many loads.	Your hot water tank may not have enou keep up with the number of hot or warm is normal.
Desired setting or option does not light	For best performance, not all settings are available with each cycle, and some options cannot be used together.	See the “Cycle Guide” for the available options for each cycle.
Load not rinsed	Check for proper water supply.	Make sure hot and cold inlet hoses are
		Both hoses must be attached and have to the inlet valve.
		Both hot and cold water faucets must b
		Inlet valve screens on washer may be c
	Remove any kinks in the inlet hose.	
	Not using HE detergent or using too much HE detergent.	The suds from non-HE detergent can c washer to operate incorrectly.



Use only HE detergent. Always measure and follow manufacturer's directions based on soil level.



**Washer not performing as expected (cont.)**

Load not rinsed (cont.)	Washer not loaded as recommended.	Avoid tightly packing the washer. The washer will wash items better if tightly packed. Load with dry items only. See the “Cycle Guide” for load size recommendations for each cycle.  Use cycle designed for the fabrics being washed.  Add only 1 or 2 garments after washer has started.
	The load may be out of balance.	When load unbalance occurs, a washing process will pause to redistribute the load. This may lengthen the cycle. Avoid washing single items. Balance a single item by adding a rug or jeans jacket with a few extra items.
Load is wrinkled, twisted, or tangled	Washer not loaded as recommended.	Add load loosely. Items need to move freely to reduce wrinkling and tangling. See the “Cycle Guide” for recommendations for each cycle.  Reduce tangling by mixing types of load items. Use the recommended cycle for the type of garment being washed.
	Wash action too long for load.	Select a lower soil level. Note that items will not be washed as deeply as when using a higher soil level.
	Spin speed too fast for load.	Select a slower spin speed. Note that items will be more wrinkled than when using a faster spin speed.
	The washer is not unloaded promptly.	Unload the washer as soon as it stops or use the pause option if you will not be able to unload the washer at the end of the cycle.
	Not choosing the right cycle for the load being washed.	Use the Delicates cycle or another cycle with a lower spin speed to reduce wrinkling.



	The wash water was not warm enough to relax wrinkles.	If safe for load, use warm or hot wash water.
Not cleaning or removing stains	Washer not loaded as recommended.	Add load loosely. Items need to move freely for cleaning. See the "Cycle Guide" for load size recommendations for each cycle.
		Add only 1 or 2 garments after washer has started.
	Not using HE detergent or using too much HE detergent.	Use only HE detergent. Always measure detergent. Follow manufacturer's directions based on load size and soil level.
	Hard water or high level of iron (rust) in water.	You may need to install a water softener and use a water softener salt.
	Fabric softener dispensing ball used.	Dispensing balls will not operate correctly with powdered detergent. Add liquid fabric softener to the fabric softener compartment.
	Powdered detergent used for slow-speed cycle.	Consider using liquid detergent.



**Washer not performing as expected (cont.)**

Not cleaning or removing stains (cont.)	Not using correct cycle for fabric type.	Use a higher soil level setting and warmer temperature to improve cleaning.
		If using Quick Wash cycle, wash only a few items.
		Use Whites and Heavy Duty cycles for tough stains.
		Add an extra rinse for heavily soiled loads.
	Not using dispensers.	Use dispensers to avoid chlorine bleach and softener staining.
		Load dispensers before starting a cycle.
		Avoid overfilling.
		Do not add products other than those specified for the load.
	Dispense cartridge is empty.	Fill dispense cartridge to the "MAX" line with detergent.
	Not washing like colors together.	Wash like colors together and remove products from the washer after the cycle is complete to avoid dye transfer.
Not enough detergent used, or hard water.	Use more detergent for washing heavy soiled items or in hard water.	
	Touch WATER HARDNESS to change water hardness setting to "hard."	



Odors	Monthly maintenance not done as recommended.	Run the Clean Washer with affresh® cycle every 30 wash cycles. See “Washer Care” Maintenance.”
		Unload washer as soon as cycle is complete. Use FanFresh® option if load cannot be removed after the wash is complete.
	Not using HE detergent or using too much HE detergent.	Use only HE detergent. Be sure to measure detergent. Always follow the manufacturer’s directions.
		See “Washer Care” section.
	Door not left open after use.	This washer has a tight seal to avoid water leaks. To avoid odors, leave the door open to allow the washer to dry between uses.
Fabric damage	Sharp items were in pockets during wash cycle.	Empty pockets, zip zippers, and snap or hook fasteners before washing to avoid snags and tears.
	Strings and straps could have tangled.	Tie all strings and straps before starting wash cycle.
	Items may have been damaged before washing.	Mend rips and broken threads in seams before washing.
	Fabric damage can occur if washer is tightly packed.	Avoid tightly packing the washer. Load with care.
		Use cycle designed for the fabrics being washed.
Fabric damage can occur if washer door is closed on an item, trapping it between the door glass and the rubber seal.	Add only 1 or 2 garments after washer has started.	
	Do not overfill the washer.	
		Push wash load fully into the washer.



<b>Washer not performing as expected (cont.)</b>		
Fabric damage (cont.)	Liquid chlorine bleach may have been added incorrectly.	Do not pour liquid chlorine bleach directly on top of up bleach spills.
		Undiluted bleach will damage fabrics. Do not use more than recommended by manufacturer.
Gray whites, dingy colors	Load not sorted properly.	The transfer of dye can occur when mixing colors in a load. Sort dark clothes from whites.
	Wash temperatures too low.	Use hot or warm temperatures if safe for the fabric. Be sure your hot water system is adequate to provide the water wash.
	Not enough detergent used, or hard water.	Use more detergent for washing heavy soils. Use hot water.
		Touch WATER HARDNESS to change water hardness setting to "hard."
Incorrect dispenser operation	Clogged dispensers or laundry products dispensing too soon.	Do not overfill dispenser. Overfilling causes incomplete dispensing.
		Load dispensers before starting a cycle.
		Homes with low water pressure may result in incomplete powder in the dispenser. To avoid, select a higher temperature if possible, depending on your water temperature.
	Liquid chlorine bleach not used in bleach compartment.	Use only liquid chlorine bleach in the bleach compartment.
	Water in dispenser after cycle has finished.	It is normal for small amounts of water to remain in the dispenser at the end of the cycle.



Single-dose laundry packet not dissolving	Adding laundry packet incorrectly.	Be sure laundry packet is added to washer before adding clothes. Do not add packet to dispenser. Follow manufacturer's instructions to avoid damaging garments.
Cycle time changes or cycle time too long	Normal washer operation.	The cycle times vary automatically based on load size, pressure, water temperature, detergent, and other factors. The options you select will also affect the cycle time.
	Excessive suds in washer.	When excessive suds are detected, a special cycle automatically starts to remove extra suds and ensure proper rinsing of your garments. This routine will extend the cycle time to the original cycle.
	Load may be out of balance.	When load unbalance occurs, a washing program automatically starts to redistribute the load. This extends the cycle time for washing single items. Balance a single item with other items or jeans jacket with a few extra items.
	Not using correct cycle for load type.	The Quick Wash cycle is designed for small loads (2-4 items) of lightly soiled garments. If large items are washed in this cycle, cycle time will be increased.  When using the Quick Wash or Delicates cycle, wash small loads. This ensures a gentle wash for delicate garments without increasing cycle time.
The controls are not responding	Control Lock is On.	Touch and hold CONTROL LOCK for 3 seconds to turn off Control Lock. For each second CONTROL LOCK is held down, the display will count down one second: "3," then "2," then "1."
Liquid detergent on door glass prior to beginning of cycle	Detergent is free to flow from the single-dose dispenser.	Do not add liquid detergent until laundry is in the washer.

**Warning**



This content is compiled from multiple sources and is provided for reference purposes only. It may not be complete or fully applicable to all situations. If you are unable to resolve your issue, please contact the product manufacturer or an authorized service provider for official support.

---

Document generated by [ManualsFile](#)

