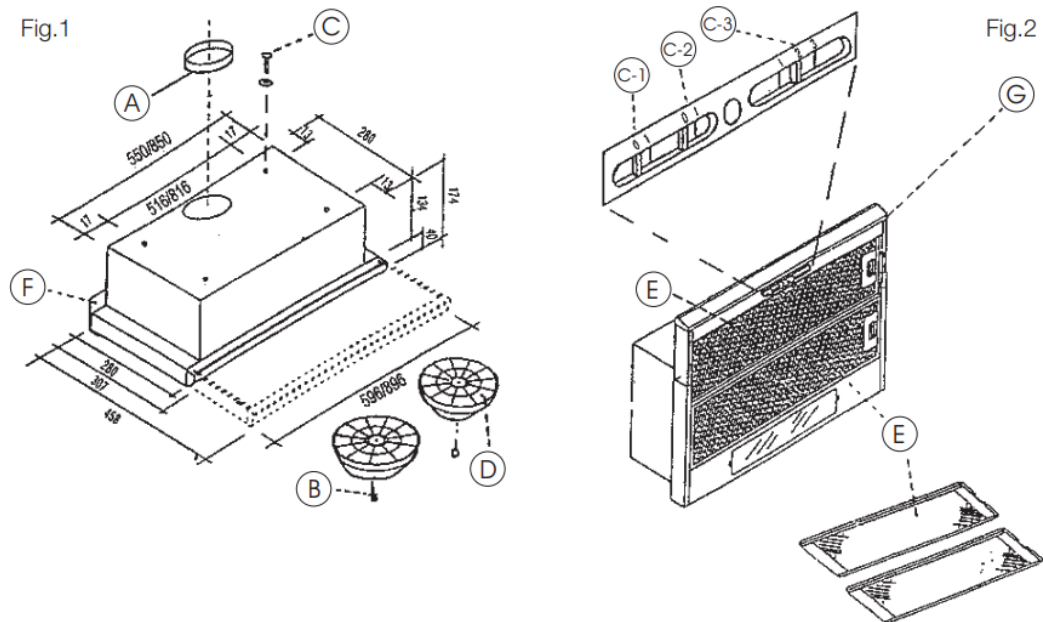


## Parts and Features

Model: TA60SS (60cm) / TA90SS (90cm)



### Components:

- A. Connecting Ring
- B. Filter Knob
- C. M4 × 40mm Screws
- D. Carbon Filters (Optional Accessory)
- E. Mesh Grids
- F. Rear Spacer
- G. Slide-Out Hood Extension

### Controls

- C-1. Lamp Switch on/off
- C-2. Fan Switch on/off
- C-3. Fan Speed Switch 1/2/3

## SPECIFICATIONS:

### Dimensions

Height 174mm

Width 596/896mm

Depth 280mm

<b>Voltage</b>	220-240V
<b>Frequency</b>	50 Hz
<b>Input</b>	330W
<b>Noise</b>	31.4 - 67dB
<b>Speed</b>	225 - 340 m <sup>3</sup> /h
<b>Spigot Outlet</b>	Ø120mm

## Installing your Rangehood

### Connection to the Electrical Supply

- This appliance is supplied with a flexible cord and 3 pin plug for connection to a properly earthed 10A power point.
- Check that the rating of the appliance matches the rating of the power point.
- The power point must be accessible after installation to allow disconnection of the appliance.
- If the supply cord is damaged, it must be replaced by the manufacturer, its service agent or similarly qualified persons in order to avoid a hazard.
- Attention: Should the lamps not work, make sure they are tightened and re-check.

### Installation Instructions

- The rangehood is supplied with
  - 1 x Spacer
  - 4 x Screws (M4 × 40mm)
  - 2 x Bulbs
- The minimum distance between the supporting surface for the cooking vessels on the hob and the lowest part of the rangehood when the rangehood is located above a gas appliance, this distance shall be at least 65cm. If the instructions for installation for the gas hob specify a greater distance, this has to be taken into account.
- Where installed above a gas cooktop, the rangehood must be installed in accordance with AS/NZS 5601 - Gas Installations and any other statutory regulations.
- This rangehood is designed for fitting in a cabinet or on similar support. For fixing, utilise the four M4 × 40mm screws supplied with the hood (C).
- Close the space that remains between the hood and the wall, adjusting the spacer (F).

- Before completing any connections, make sure the voltage of the home corresponds with the voltage indicated on the data label.
- **WARNING:** Failure to install the screws or fixing device in accordance with these instructions may result in electrical hazards.

## **Installation Method**

The rangehood is designed to be installed in either Extraction Method or Re-Circulating Method (Requires purchase of Carbon Filters sold separately).

### **Extraction Installation Method**

- The air is vented outdoors by a duct which must be connected to exhaust hole Ø120mm using the connecting ring (A).
- The hood must not be connected to fuel exhaust flues or to a duct in which hot air is circulated, or is utilised to remove the fumes from appliances stocked by an energy different from the electric one.
- The air must not be discharged into a flue that is used for exhausting fumes from appliances burning gas or other fuels.
- For correct functioning, provide suitable ventilation of the room using doors, windows or other technical devices.

### **Re-circulation Installation Method**

*The Rangehood can only be installed in this method with the purchase of Carbon Filters that are sold as an optional accessory*

- When there is no exhaust duct for venting outdoors, you can use a carbon filter (D). The cooking fumes are filtered and then pushed back out again.
- Filters are not washable; they cannot be regenerated and have to be replaced at most every 2 months.
- The saturation of the activated charcoal depends on the frequency of use of the hood, on the type of cooking and on the regularity of cleaning the grease filter.
- The carbon filter has to be fitted inside the hood. Push it into place until the stop click is heard to lock it.
- Remove the grill (E) see figure 2 to carry out this operation.
- The air is released in the room through a connecting pipe, which goes through the hanging cupboard and is connected to the connecting ring supplied (A) see figure 1.

To use the appliance in this method, proceed as follows:

- Open the grids (E)

- Insert the filter (D) with the knob (B).
- Reinstall the grids.

## Using your Rangehood

### Operating the Rangehood

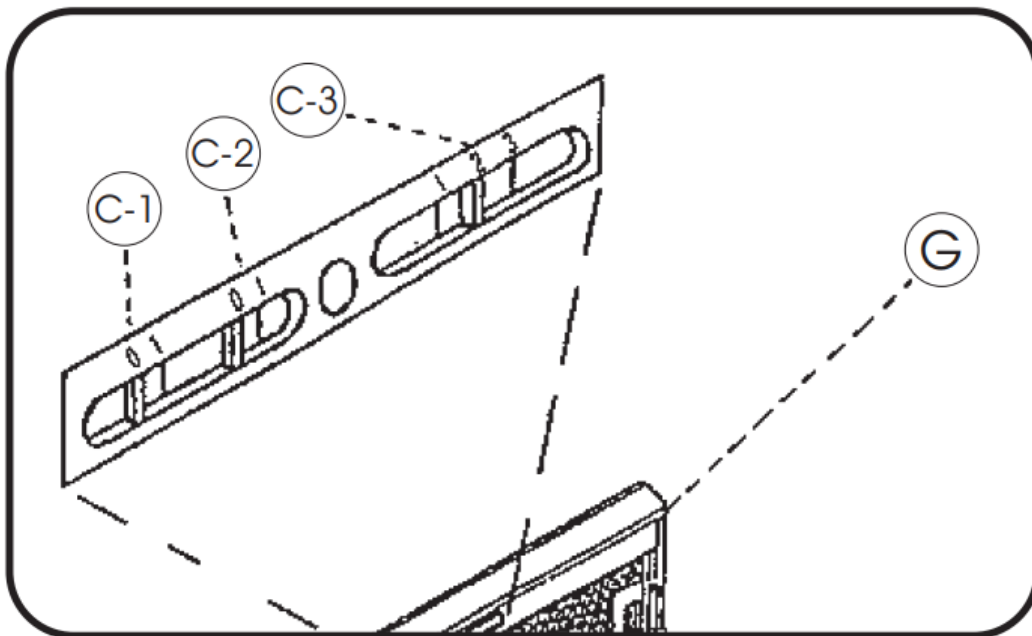
#### SWITCH ON THE LAMPS

- Pull out the grill (G) more than 50mm
- Slide the switch (C-1) from position '0' to '1'

#### ADJUSTING THE FAN SPEED

- Pull out the grill (G) more than 50mm
- Slide the switch (C-2) from position '0' to '1' at low speed.
- Adjust the fan to mid speed by sliding the switch (C-3) from position '1' to '2'.
- Adjust the fan speed to high by sliding the switch (C-3) from position '2' to '3'.
- Switch off the appliance by sliding the switch (C-2) from position '1' to '0'
- LED (C-4) will be lit up when the fan motor operates.

Note: You can change speed during operation.



# Care and Cleaning

## Maintenance

The effective functioning of the hood depends on the regularity with which cleaning and maintenance is carried out. Particularly in the case of the grill (E) and optional charcoal filters (D).

The grids (E) serve the function of catching the fat and solid particles suspended in the air. It is thus subject to clogging at various intervals, depending on use and the type of cooking. In any case, it is necessary to clean the grid at least every two months as follows:

- Remove the grid and wash it with a solution of lukewarm water and neutral liquid detergent, allowing the dirt to soften.
- Rinse thoroughly with lukewarm water.
- Failure to follow the washing instructions can create a fire risk.

## Charcoal Filters (Optional Accessory)

- The activated charcoal filter present only in re-circulation versions have the function of trapping odours and purifying the air. The saturation of the activated charcoal occurs after more or less prolonged use: depending on the type of cooking and the regularity of cleaning of the grease filter.
- In any case it is necessary to replace the cartridge at least every four months. Clean frequently all the deposits on the fan and the other surfaces, utilising a cloth moistened by neutral and non abrasive liquid detergent.

## Changing the Bulbs

- Disconnect the hood from the electricity.
- Remove the lamp cover.
- Always replace burnt-out lamps, according to what is provided for your appliance, with olive shaped Max. 40W bulbs.
- Re-close the lamp cover

## Rangehood Safety Precautions

- The appliance must be installed by the service agent or a similar qualified technician in order to avoid hazard.
- Make sure the rangehood is fixed directly to a wall or mounted in the lower part of a hanging cupboard.
- Do not install the rangehood close to a window, rain may cause an electrical hazard.

- To protect against electrical shock, do not immerse the appliance or cord in water or spray with liquids.
- Before performing any maintenance operation, disconnect the hood from the mains supply.
- Do not operate in the presence of explosive and/or flammable fumes.
- Do not operate any appliance with a damaged cord, after the appliance malfunctions or has been dropped or damaged in any manner.
- Do not let the cord touch any hot surfaces.
- Do not check the filter while the appliance is operating.
- Do not touch the lamps after a prolonged use of the appliance.
- Do not flambé under the rangehood. The use of an unprotected flame is dangerous for the filters and could cause fires.
- Constantly watch food being fried in order to avoid oil flare ups during cooking.
- Do not switch on the appliance unless completely assembled and adjusted.
- The manufacturers refuse to accept any responsibility for eventual damages, because of failure to observe these instructions.
- Plug into a grounded 3-prong outlet, do not remove grounding prong, do not use an adapter, and do not use an extension cord.
- It is recommended that a separate circuit, serving only your appliance be provided. Use receptacles that cannot be turned off by a switch or pull chain.
- Never clean appliance parts with flammable fluids. These fumes can create a fire hazard or explosion. And do not store or use gasoline or other flammable vapours and liquids in the vicinity of this or any other appliance. The fumes can create a fire hazard or explosion.
- Do not connect or disconnect the electric plug when your hands are wet. There is a potential hazard of electric shock.
- Turn off and unplug the appliance before cleaning or servicing. Failure to do so can result in electrical shock or death.
- DO NOT insert any objects such as wooden sticks or metal sticks into the appliance. It may lead to leakage, short circuit, or product damage.
- If something is wrong with the product, please call a De'Longhi representative. Do not attempt to repair or replace any part of your appliance unless it is specifically recommended in this material. All other servicing should be referred to a qualified technician.
- Unauthorised disassembly will affect the safety of the product.
- DO NOT spray pesticide or any other flammable sprays near the product.

- When cleaning or filling the appliance, please turn it off and unplug the power cord. Do not proceed until it has completely stopped functioning.
- If you notice an abnormal smell or sound during use, please turn off the appliance immediately and unplug the power.
- DO NOT shower the appliance in water, it may lead to electrical shock, leakage, short circuit or product damage
- The fuse (or circuit breaker) size should be 10 amperes.
- Operate the appliance on a level surface.
- Keep ventilation openings clear of obstruction.
- This appliance is intended to be used in household and similar applications eg:
  - staff kitchen areas in shops, offices and other working environments;
  - farm houses and by clients in hotels, motels and other residential type environments;
  - bed and breakfast type environments;
  - Catering and similar non-retail applications.
- CAUTION: Accessible parts may become hot when used with cooking appliances.
- There shall be adequate ventilation of the room when the rangehood is used at the same time as appliances burning gas or other fuels.
- Regulations concerning the discharge of air have to be fulfilled.

### **Warning**

This content is compiled from multiple sources and is provided for reference purposes only. It may not be complete or fully applicable to all situations. If you are unable to resolve your issue, please contact the product manufacturer or an authorized service provider for official support.