

INSTALLATION INSTRUCTIONS

LOCATION

- Two people should be used when moving the appliance.
- Remove interior and exterior packaging prior to installation. Wipe the outside of the appliance with a soft, dry cloth and the inside with a lukewarm, wet cloth.
- Place the appliance on a floor that is strong enough to support it when it is fully loaded.
- Do not place the appliance in direct sunlight or near sources of heat, such as a stove or heater, as this can increase electrical consumption.
- Extreme cold ambient temperatures may also cause the appliance to perform improperly.
- Do not use the appliance near water, for example in a wet basement or near a sink.
- This appliance is intended for household use only. It is not designed for outside installation, including anywhere that is not temperature controlled (garages, porches, vehicles, etc.).
- Before connecting the appliance to a power source, let it stand upright for approximately hours. This will reduce the possibility of a malfunction in the cooling system from handling during transportation.
- This appliance is 44.9 cm (17.7 inches) wide by 84 cm (33.1 inches) high by 51.9 cm (20.4 inches) deep. Make sure that you leave the minimum amount of space between the appliance and all surrounding walls and vents.
- Allow 12.7 cm (5 inches) of space between the back of the appliance and the wall. Allow 5 cm (2 inches) between the sides and top of the appliance and any walls or furniture.
- This appliance is intended for free-standing installation only and is not intended to be built into a cabinet or counter. Building in this appliance can cause it to malfunction.

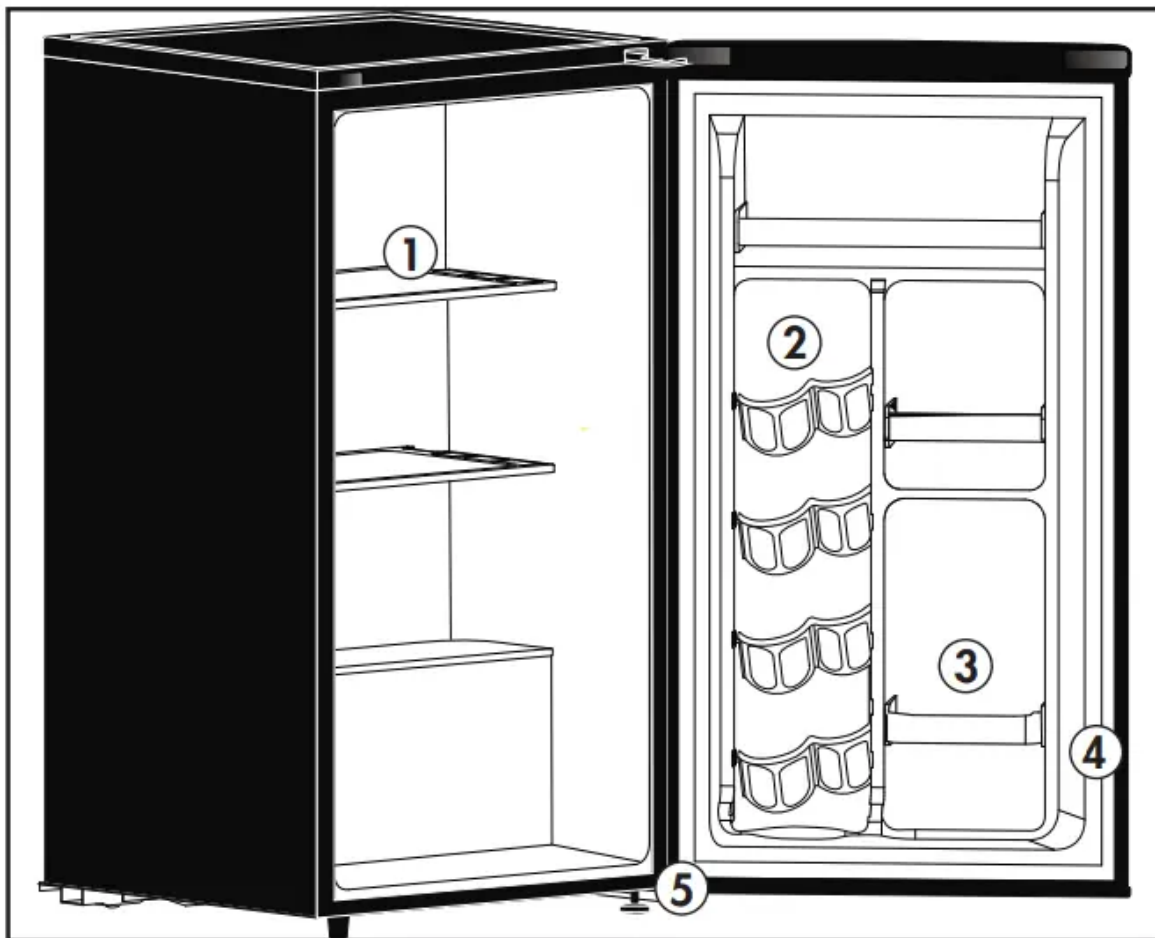
OPERATING INSTRUCTIONS

FEATURES

1. **Glass Shelves**
2. **CANSTOR™ Door Liner:** Holds 355ml cans of pop, juice, or beer.
3. **Bottle Rack:** For tall, small and medium cans or jars.
4. **Magnetic Gasket:** Tight fitting door seal keeps all the cooling power locked inside.
5. **Leveling Leg:** Adjust so the unit is level.

6. Thermostat Dial and Interior Light: (not shown)

Temperature can be adjusted by turning the thermostat dial on the inner ceiling of the appliance.



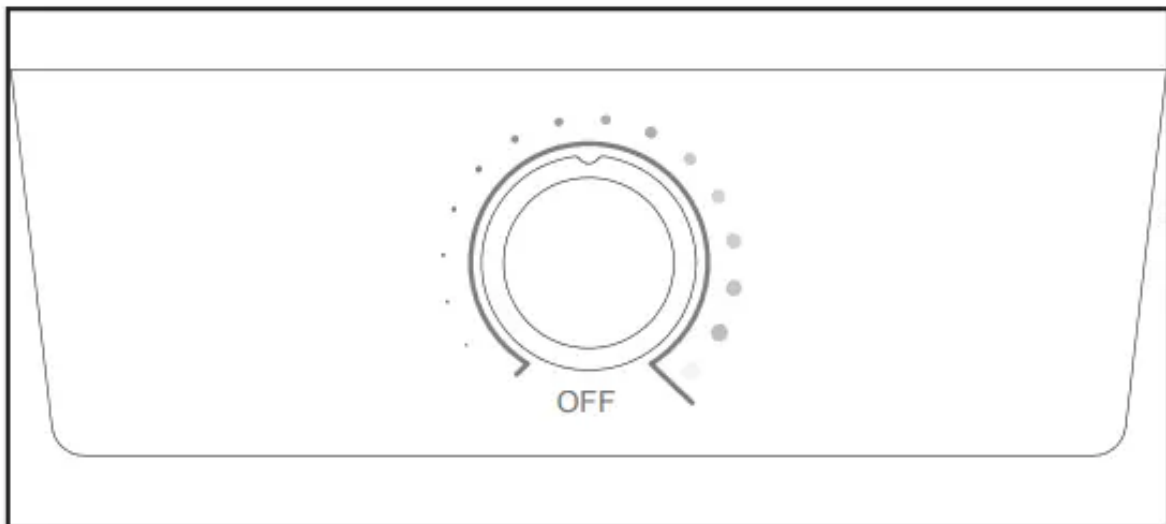
THERMOSTAT DIAL AND INTERIOR LIGHT

The thermostat dial and interior light housing are located on the inner ceiling of the appliance.

TEMPERATURE SELECTION

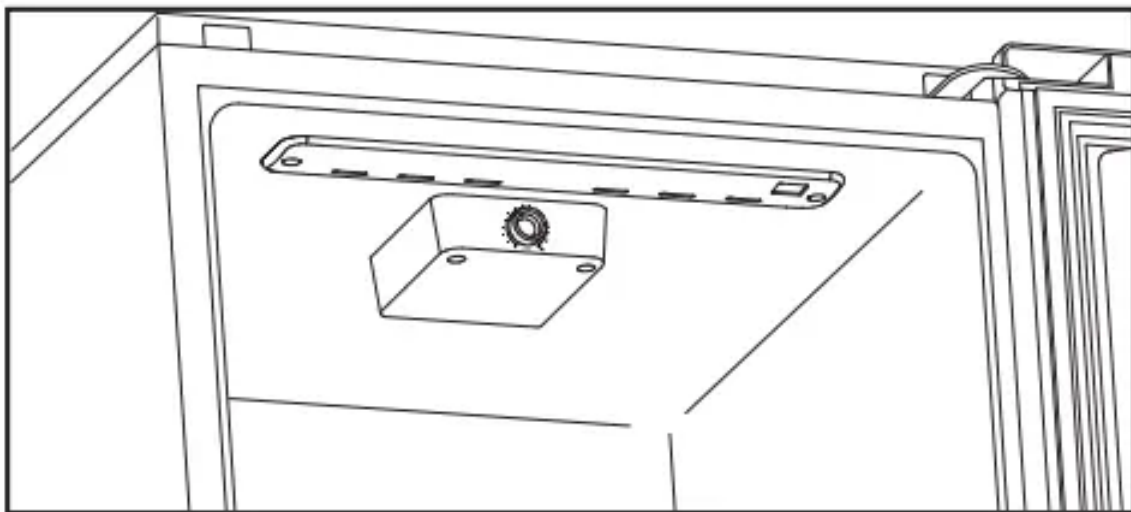
The temperature of the appliance can be adjusted by turning the thermostat dial on the ceiling of the cabinet.

- The larger, darker dots indicate the coldest setting.
- The smaller, lighter dots indicate the warmest setting.
- The “OFF” position will turn off the cooling function.



Internal temperature of the appliance can vary based on ambient temperature, the quantity of items stored and how frequently the door is opened.

INTERIOR LIGHT



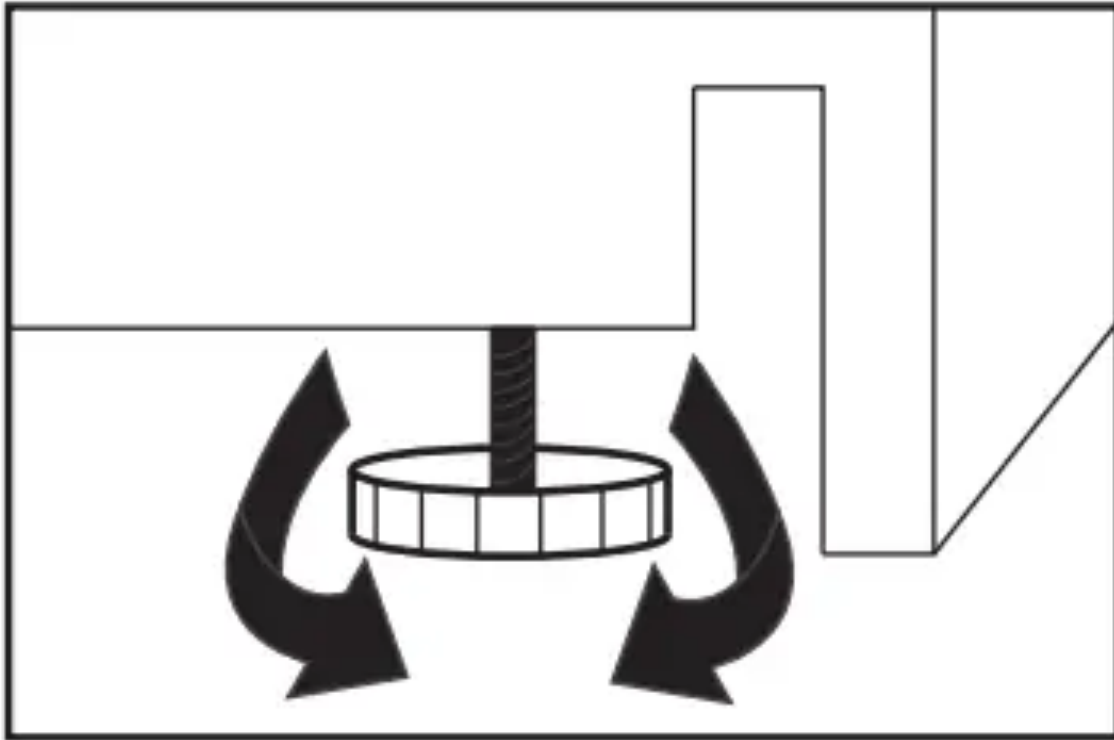
The interior light will turn on when the door of the appliance is opened and will turn off when the door is closed.

LEVELING INSTRUCTIONS

There is an adjustable leg on the bottom of the appliance that can be turned up or down to ensure that the appliance is level.

Turn the leveling leg counter-clockwise as far as it will go, until the top of the foot is touching the bottom of the chassis.

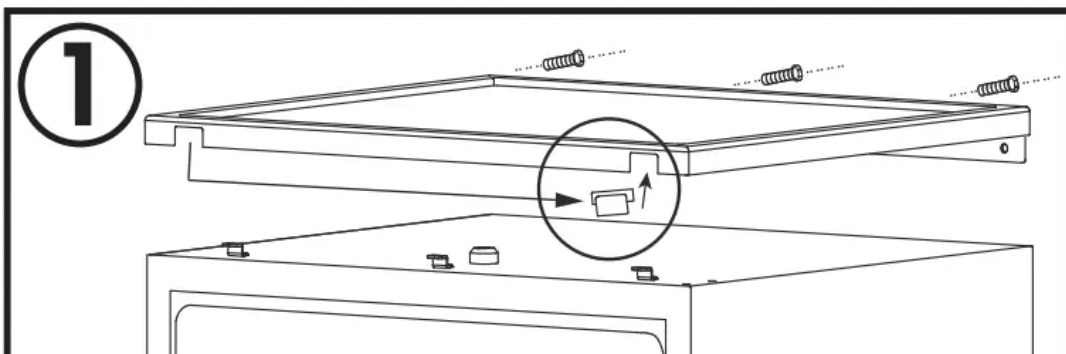
Slowly turn the leveling leg clockwise until the appliance is level.



DOOR REVERSAL INSTRUCTIONS

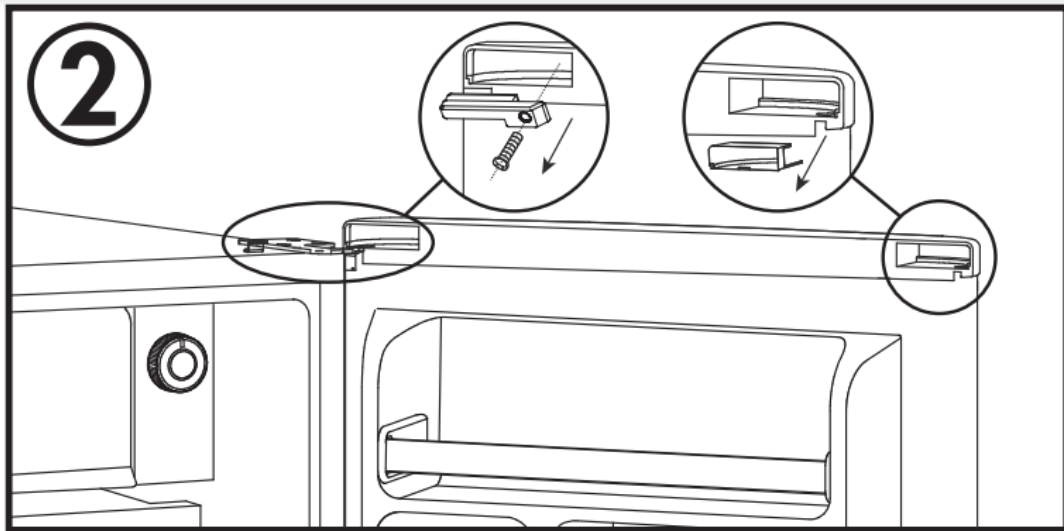
If the appliance is placed on its back or side for any length of time during this process, it must be allowed to remain upright for 6 hours before plugging it in to avoid damage to the internal components.

1. Remove the three screws from the back of the worktop. Lift the back of the worktop and pull it toward the front of the appliance to remove it. Remove the worktop hinge hole cover from the left side of the worktop and move it to the hinge hole on the right side of the worktop.

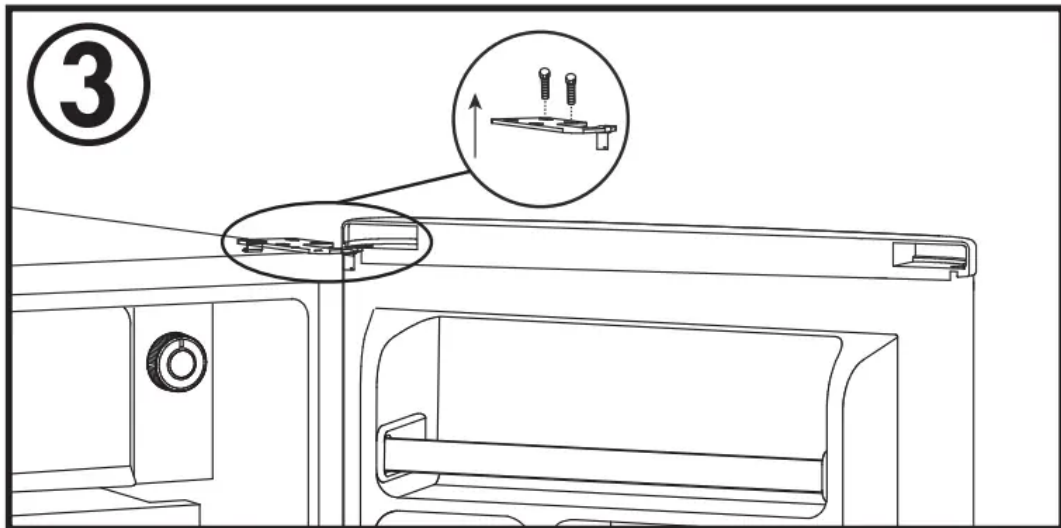


2. Remove the door spindle cover that covers the hinge on the top left side of the door. Remove the hole cover from the top right side of the door. Removing the hole cover may

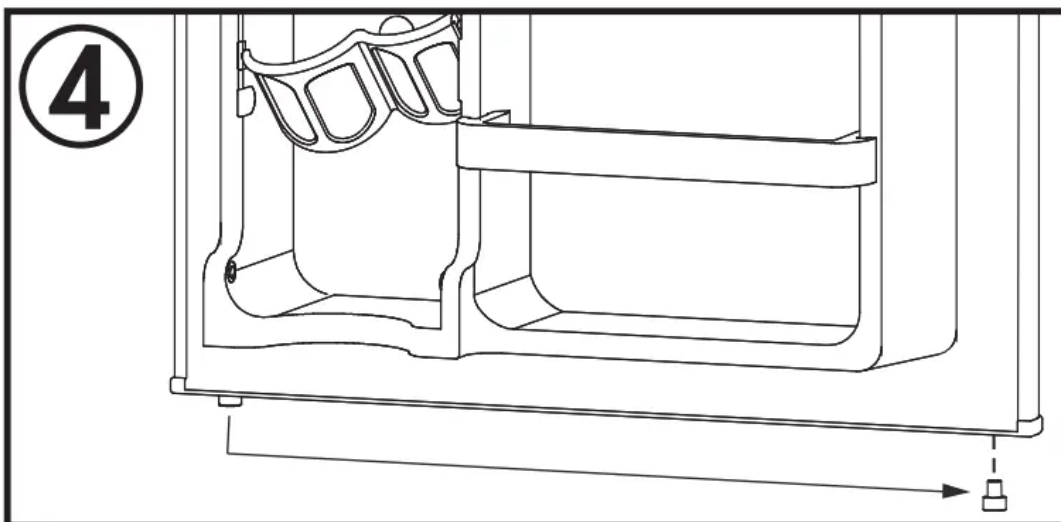
require a flat blade screwdriver.



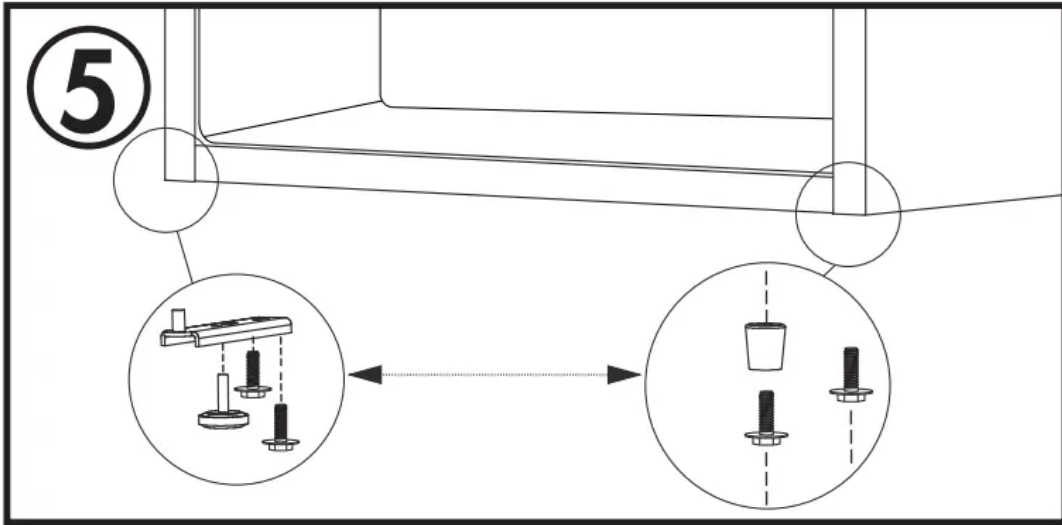
3. Remove the upper hinge from the top right side of the cabinet. Remove the door from the cabinet.



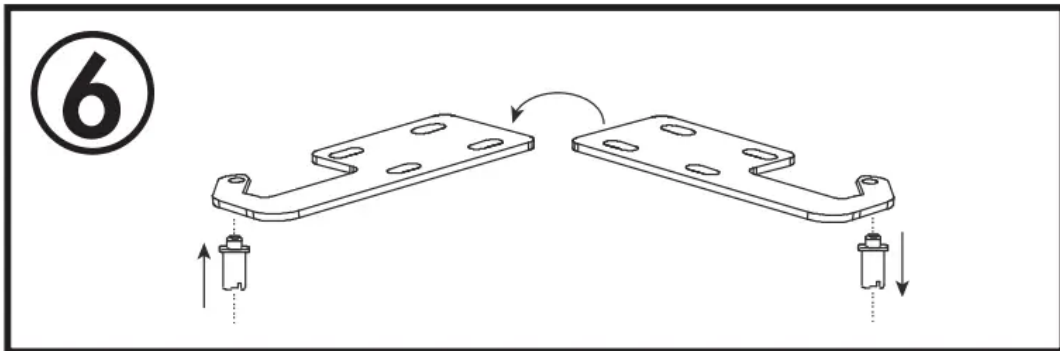
4. Remove the lower hinge hole cover from the bottom left side of the door and move it to the bottom right side of the door.



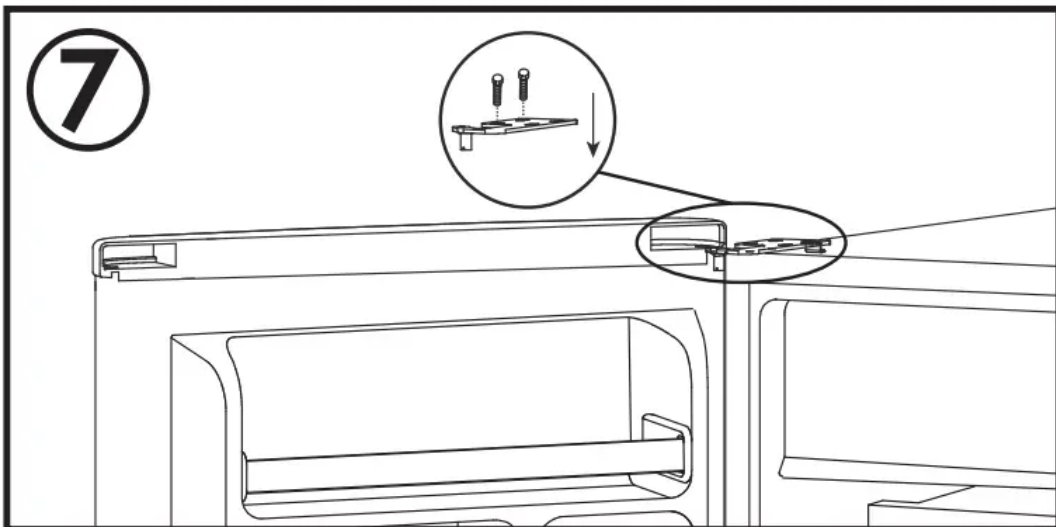
5. Remove the adjustable foot and the lower hinge from the bottom right side of the cabinet. Remove the solid foot and screws from the bottom left side of the cabinet. Install the solid foot on the bottom right side of the cabinet. Install the lower hinge and the adjustable foot on the lower left side of the cabinet.



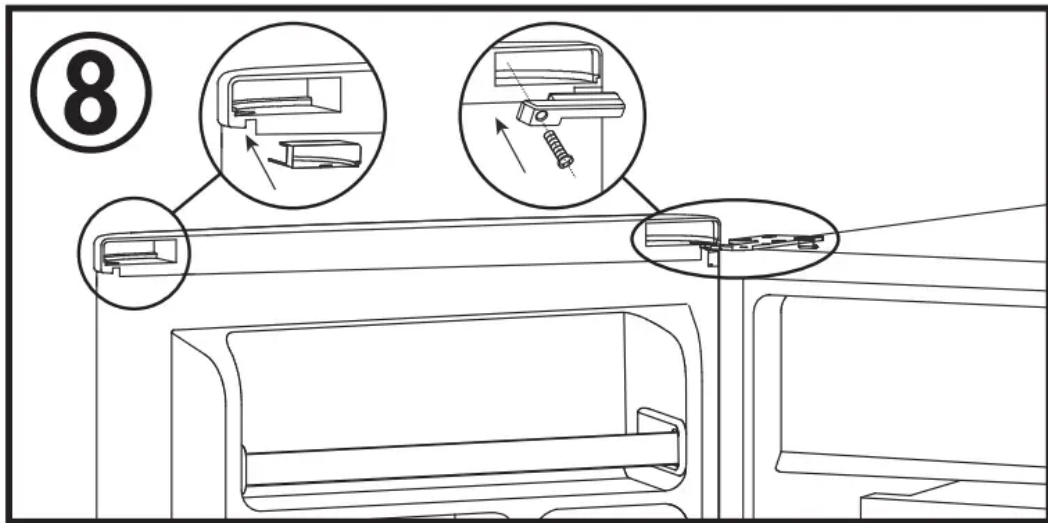
6. Remove the hinge pin from the upper hinge. Flip the upper hinge over and install the hinge pin on the other side.



7. Install the upper hinge and door onto the cabinet.



8. Install the door spindle cover to cover the hinge on the top right side of the door. Install the hole cover in the hole on the top left side of the door.



9. Install the worktop by laying it on top of the appliance and pushing it toward the back until it clicks into place and then reinstall the three screws at the back.

Note: When reinstalling the door, ensure that the top of the door is level with the top of the cabinet and that the rubber gasket makes a good seal with the cabinet all the way around.

CARE & MAINTENANCE

CLEANING

Ensure the appliance is unplugged before cleaning.

- To clean the inside of the appliance, use a soft cloth and a solution of a tablespoon of baking soda to one quart of water or a mild soap solution or some mild detergent.
- Wash removable shelves in a mild detergent solution, then dry and wipe with a soft cloth.
- Clean the outside with a soft, damp cloth and some mild detergent.
- It is important to keep the area clean where the door seals against the cabinet. Clean this area with a soapy cloth. Rinse with a damp cloth and let dry.

Note: Do not use cleaners containing ammonia or alcohol on the appliance. Ammonia or alcohol can damage the appearance of the appliance. Never use any commercial or abrasive cleaners or sharp objects on any part of the appliance.

POWER FAILURE

Most power failures are corrected within a few hours and should not affect the temperature of your appliance if you minimize the number of times the door is opened. If the power is going to be off for a longer period of time, take the proper steps to protect your contents.

Note: Wait 3 to 5 minutes before attempting to restart the refrigerator if operation has been interrupted.

DEFROST

This appliance is equipped with an automatic defrost function and does not require manual defrosting. Defrost water from the appliance is channeled into a drip tray located above the compressor. Heat transfer from the compressor causes the defrost water to evaporate.

VACATION

- **Short vacations:** Leave the appliance operating during vacations of less than three weeks.
- **Long vacations:** If the appliance will not be used for several months, remove all items and turn off the appliance. Clean and dry the interior thoroughly. To prevent odor and mold growth, leave the door open slightly, blocking it open if necessary.

MOVING

- Make sure the appliance is empty.
- Secure the shelves with tape.
- Secure the door with tape.
- Turn the adjustable foot up to the base to avoid damage.
- Protect the outside of the appliance with a blanket or similar item.
- Be sure the appliance stays in the upright position during transportation.
- If the appliance is placed on its back or side during transportation, upon reaching the destination, allow it to remain upright for 6 hours before plugging in to avoid damage to internal components.

DISPOSAL

This appliance may not be treated as regular household waste, it should be taken to the appropriate waste collection point for recycling of electrical components. For information on local waste collection points, contact your local waste removal agency or government office.

TROUBLESHOOTING

PROBLEM	POSSIBLE CAUSE
No power	<ul style="list-style-type: none"> • A fuse may be blown or the circuit breaker tripped • Plug not fully inserted into the wall outlet
Internal temperature not cold enough	<ul style="list-style-type: none"> • Temperature setting is too warm • Door is not shut properly or opened excessively • Exhaust vent is obstructed • Recently added a large quantity of warm food to the cabinet • Close proximity to heat source or direct sunlight • Ambient temperature or humidity is very high
Appliance runs continuously	<ul style="list-style-type: none"> • Temperature setting is too cold • Door not shut properly or opened excessively • Exhaust vent is obstructed • Recently added a large quantity of warm food to the cabinet • Close proximity to heat source or direct sunlight • Ambient temperature or humidity is very high

Warning

This content is compiled from multiple sources and is provided for reference purposes only. It may not be complete or fully applicable to all situations. If you are unable to resolve your issue, please contact the product manufacturer or an authorized service provider for official support.

