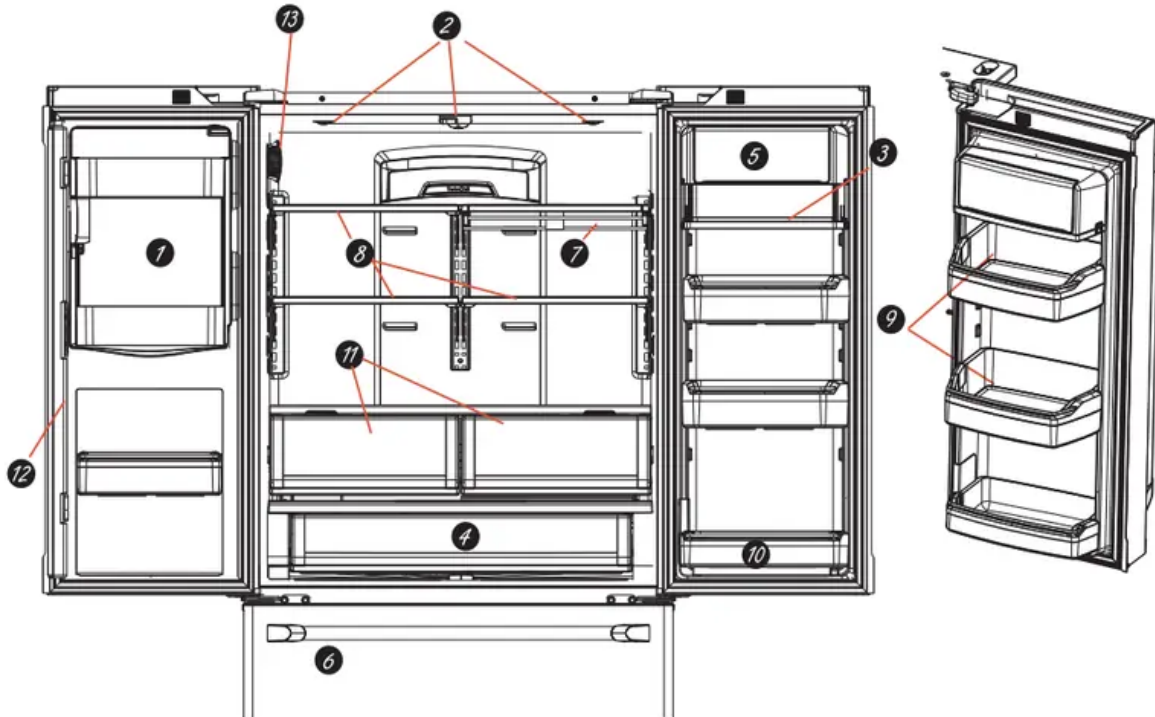


## Operating Instructions

About the features.



### 1. Space-saving ice maker

Ice maker and bin are located on the door creating more usable storage space.

### 2. Showcase LED lighting

LED lighting is positioned throughout the interior to spotlight areas in the refrigerator. LEDs are located under the fresh food door to light the freezer when opened.

### 3. Drop-down tray

Allows for extra door storage when you need it and tucks away when you don't.

### 4. Full-width temperature controlled drawer

Adjustable temperature control bin that can accommodate larger items.

### 5. Dairy bin

Separate compartment for your items.

### 6. Utility bin

A utility bin designed for flexible storage.

### 7. QuickSpace™ shelf

Functions as a normal full-sized shelf when needed and easily slides back to store tall items below.

### 8. Spillproof shelves

Designed to capture your spills for easier clean up.

### 9. Removable condiment bin

Separate bin designed for easy removal and storage.

### 10. Removable door bin

Can be removed for those with a wall limiting the door opening.

### 11. Climate zone bin

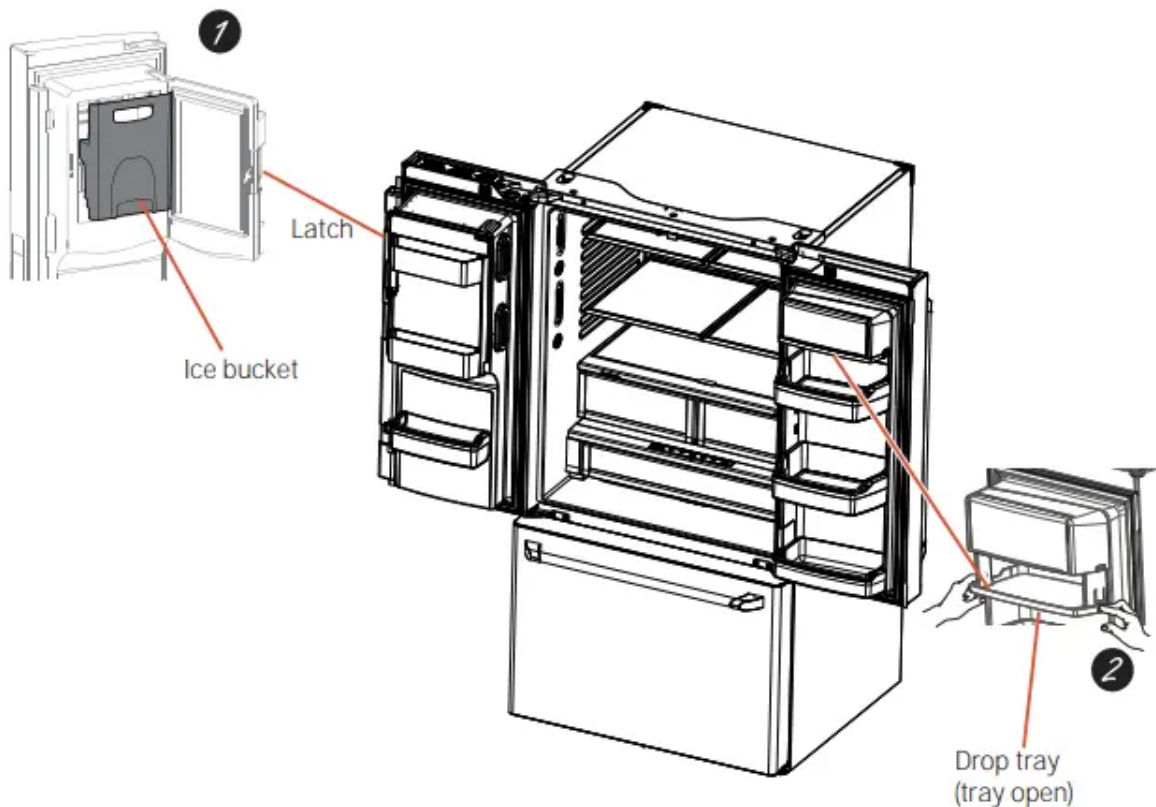
Separate bins for produce storage.

### 12. In-the-door filter

Located in the door for more available space in the fresh-food section and easy replacement.

### 13. Odor filter

Removes food smells and odors.



### 1. Door ice bin

1. Open left fresh food door.
2. Pull down latch to release bin door.
3. Using handhold lift ice bucket up and out to clear locators in bottom of bin.

4. To replace the ice bucket, set it on the guide brackets and push until the ice bucket seats properly.
5. If bucket cannot be replaced, rotate the Ice Bucket Fork 1/4 turn clockwise.

## 2. Drop down dairy bin

1. Open right fresh food door.
2. Depress both buttons on lower sides and bin will drop down.
3. Reverse to reinstall.

## 3. Door ice/water filter

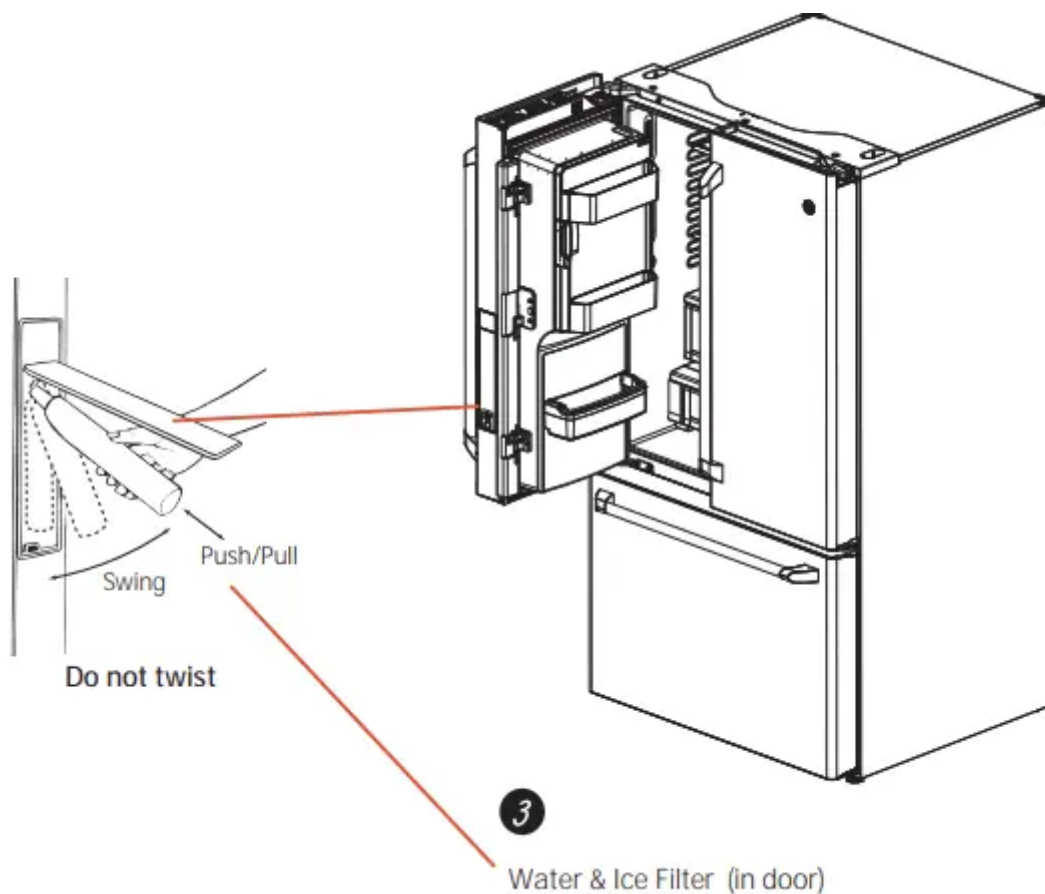
### ***Remove filter/bypass plug***

Push the indent on the cover and open filter door. Pull up on filter/bypass plug and pull straight out to remove.

### ***Installing the filter cartridge***

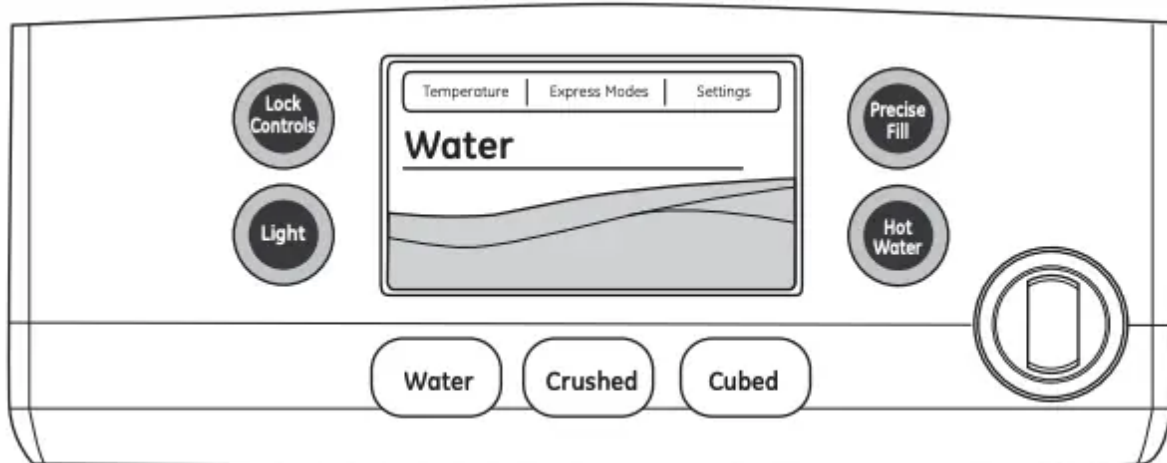
Push the indent at the bottom of the cover and open. Lift door and align tabs on filter to filter/holder and push filter into place.

**Filter cover is designed to be reinstalled if accidentally removed**




## About the controls with temperature settings.

### CYE/CFE Control Style




### Changing the Temperature

To Change the Refrigerator Temperature:

**Access By:** Temperature Button 

**Activate By:** Below the word "Refrigerator", use the arrows to select the desired temperature. Press DONE when finished to return to HOME screen.

To Change the Freezer Temperature:

**Access By:** Temperature Button 

**Activate By:** Below the word "Freezer", use the arrows to select the desired temperature. Press DONE when finished to return to HOME screen.

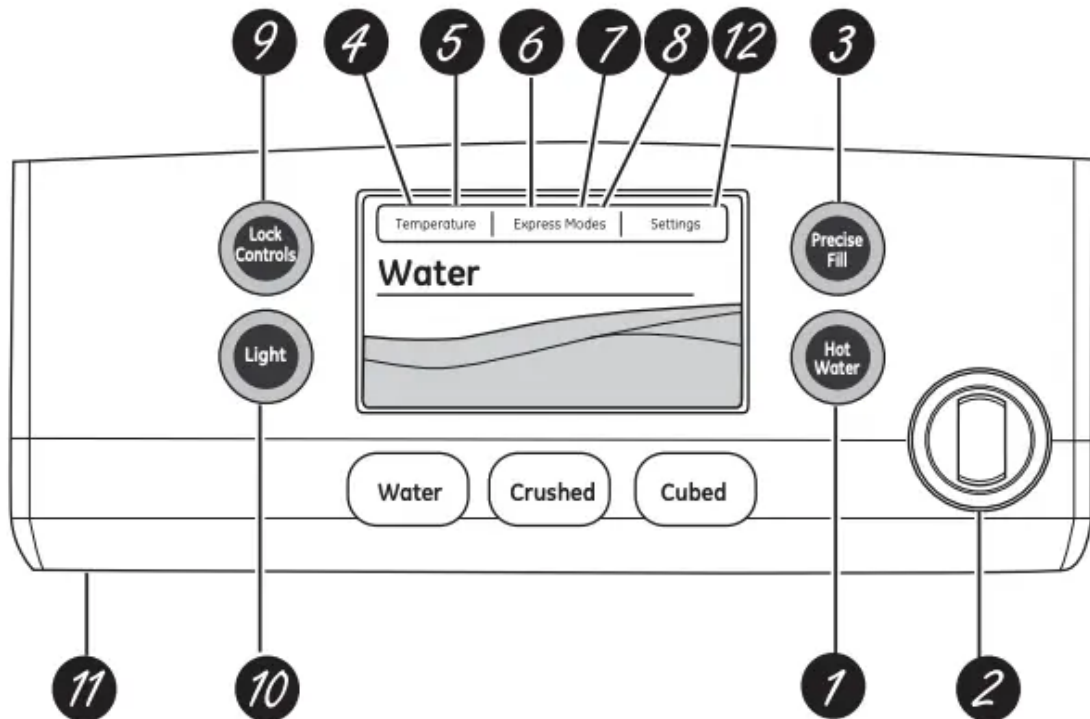
To turn OFF cooling system, access SETTINGS from the HOME screen. Page over and tap COOLING SYSTEM ON. Press DONE to return to HOME screen.

To turn ON cooling system, access SETTINGS from the HOME screen. Page over and tap COOLING SYSTEM OFF. Press DONE to return to HOME screen.

Turning the cooling system off stops the cooling to refrigerator, but it does not shut off the electrical power.

**NOTE:** For optimal temperature performance, we recommend to avoid placing food or other items directly at the air flow vents or the fresh food air tower, thus blocking the air flow.

## About the controls features.



**NOTE:** The refrigerator is shipped with protective film covering the temperature controls. If this film was not removed during installation, remove it now.

The temperature controls are preset in the factory at 37°F for the refrigerator compartment and 0°F for the freezer compartment. Allow 24 hours for the temperature to stabilize to the preset recommended settings.

The temperature controls can display both the SET temperature as well as the actual temperature in the refrigerator and freezer. The actual temperature may vary slightly from the SET temperature based on usage and operating environment.

### 1. Hot Water

Dispenses up to 10 ounces of filtered hot water from user selected ranges of 90°F to 185°F.

### 2. Hot Water Knob

Illuminates to indicate hot water is ready. Dispenses with two motions: a counter-clockwise twist and then push to dispense.

### 3. Precise Fill

Precisely dispenses filtered water in accurate measurements in ounces, cups, quarts, or liters using paddle.

### 4. Refrigerator temp control

Adjust freezer compartment temperature.

### 5. Fresh food temp control

Adjust fresh food compartment temperature.

### **6. TurboFreeze™ setting**

Activate TurboFreeze to quickly restore freezer temperatures after frequent door openings.

### **7. TurboCool™ setting**

Activate TurboCool to quickly restore fresh food temperature after frequent door openings.

### **8. Odor Remover setting**

Activate Odor Remove to remove food smells and odors.

### **9. Lock controls**

Press and hold 3 seconds to lock out ice and water dispenser and all feature and temperature buttons.

### **10. LED dispenser light**

LED lighting that can be turned on/off to light your dispenser.

### **11. Photo Upload**

Insert USB memory stick to upload personal photos to the refrigerator LCD screen. LCD will provide on screen prompts to load and view slideshow. Make sure the photos are in the root directory in your USB.

### **12. Additional Settings**

- Connected Home ready
- Slideshow
- Reset filter
- Ice maker on/off
- Door alarm
- Sound control
- Cooling system On/Off
- Metric/English units

Additional Modes

- **Sabbath Mode**

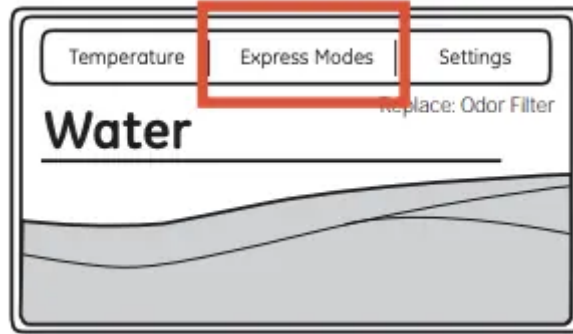
Press and hold lock & light simultaneously for 3 seconds to enter/exit Sabbath mode. Activate Sabbath Mode to turn off interior lights, temperature control and advanced features. Compressor will run on a timed defrost when in Sabbath mode.

### **About Odor Remover.**

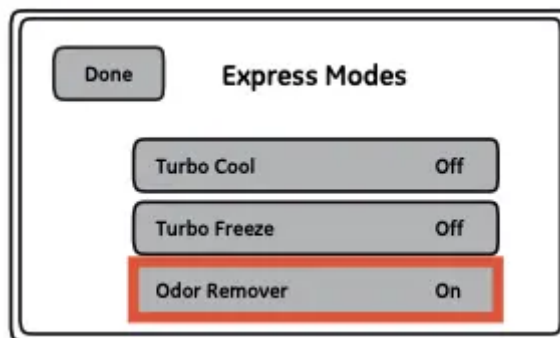
#### **Using Odor Remover Mode**



To access the Odor Remover Mode, press Express Modes on the main LCD screen.

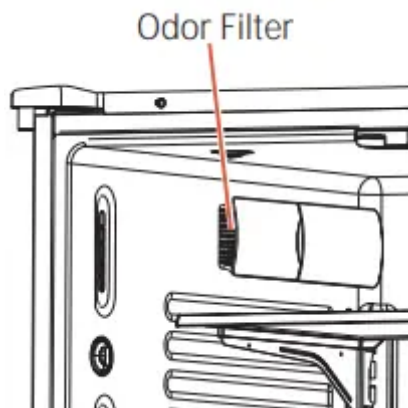


Press Odor Remover to turn the mode On or Off. Press Done to return to the main menu. The mode will automatically end after 4 hours.



### Install/Replace Odor Filter

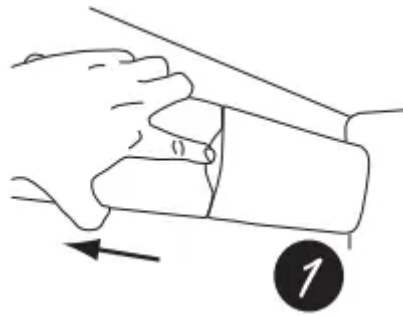
The Odor Filter is located in the upper left corner of the fresh food compartment. GE recommends replacement of the odor filter every 6 months or when odor becomes objectionable. A reminder will appear on the main screen after 6 months to change the filter.



#### To Replace Filter:

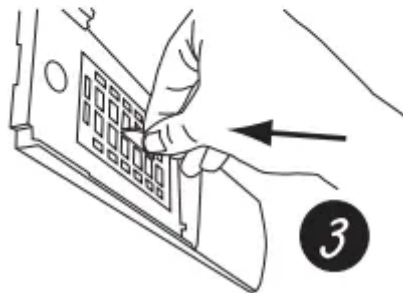
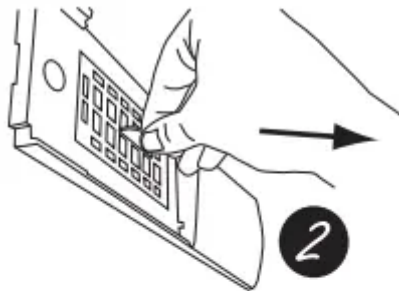
1. Remove the cover of the odor filter by sliding the front portion towards the front of the refrigerator



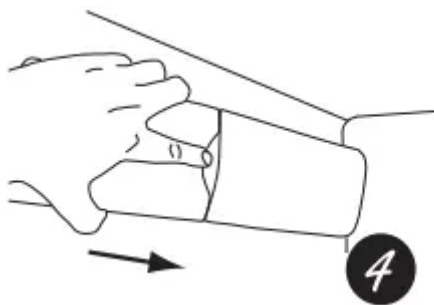


2. Remove the old filter by pulling out. Remove the replacement filter from the plastic.

3. Insert the filter into the housing by pushing it in. The filter will snap into place.

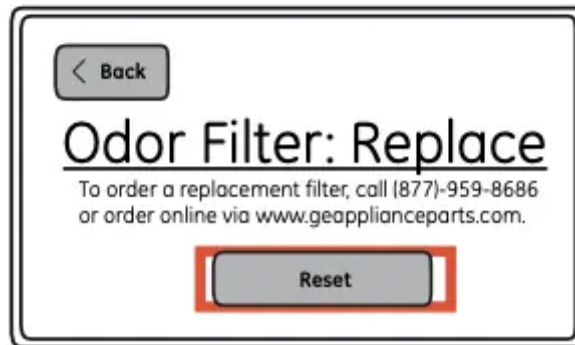
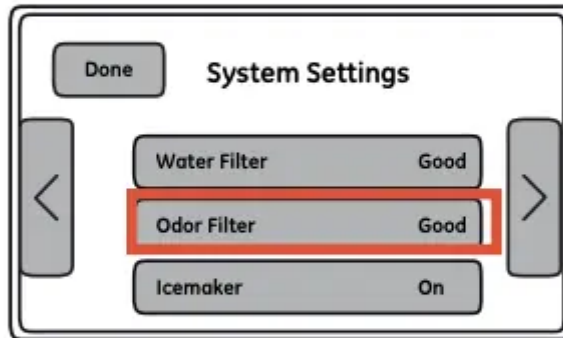
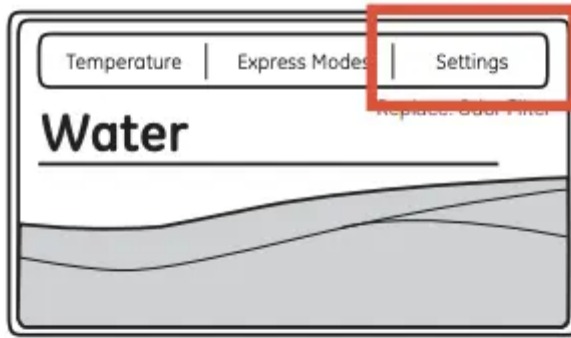


4. Replace filter cover by sliding it on from the front. Make sure the front edge is flush against the refrigerator wall.

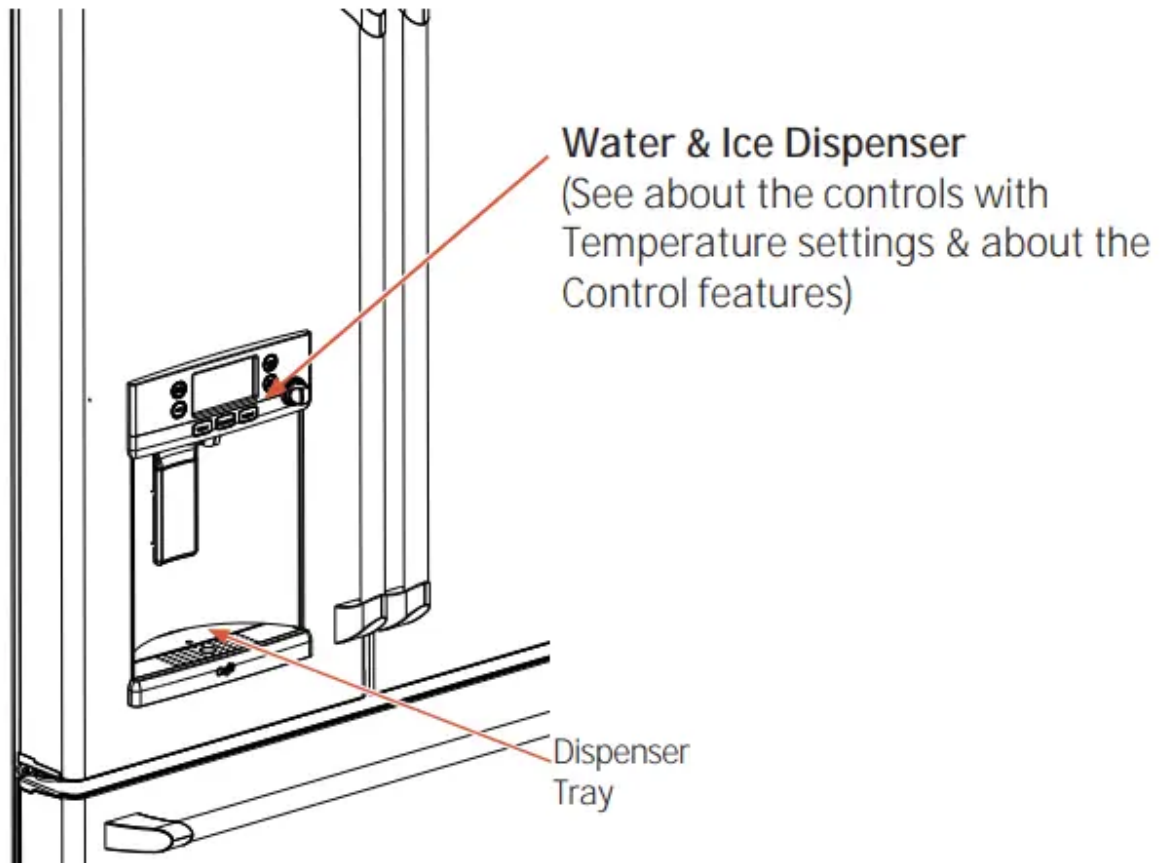


To Reset the Odor Filter Replacement reminder on the main screen:

From the main screen on the LCD select Settings. Scroll until Odor Filter is visible and press. This shows the current status of the filter and how to reorder. To reset the reminder, press Reset.



## About the dispenser.



If no water is dispensed when the refrigerator is first installed, there may be air in the water line system. Press the dispenser paddle for at least five minutes to remove trapped air from the water line and to fill the water system. To flush out impurities in the water line, throw away the first six full glasses of water.

### **WARNING Laceration Hazard**

- Never put fingers or any other object into ice crusher discharge opening. Doing so can result in contacting the ice crushing blades and lead to serious injury or amputation
- Use a sturdy glass when dispensing ice. A delicate glass may break and result in personal injury.

### To remove Dispenser Tray

- Pull Dispenser Tray out until it stops.
- Locate tab in the center on the bottom and push in.
- Pull Dispenser Tray assembly out.
- Lift metal Dispenser Tray out at center notch to clean.

### To reinstall Dispenser Tray

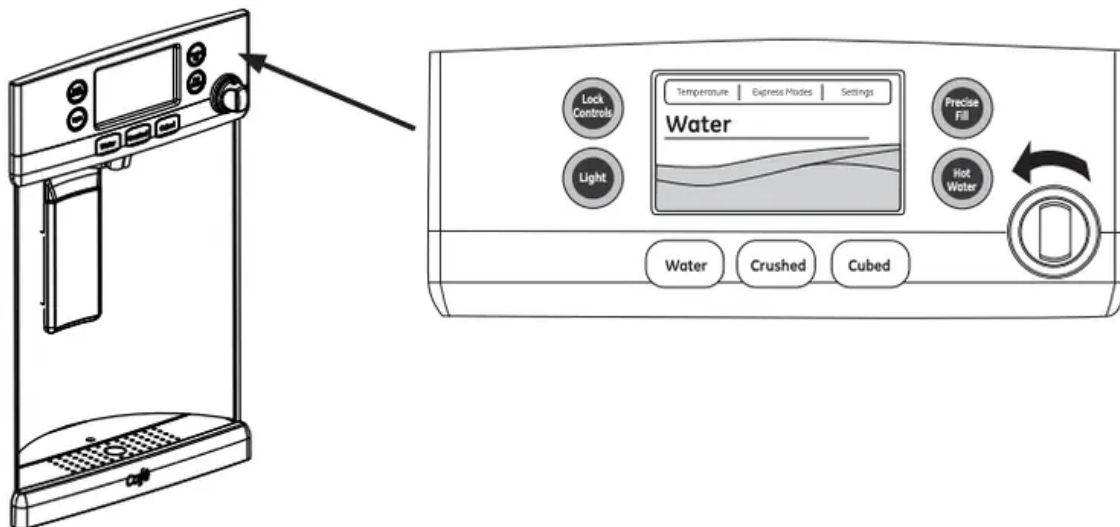
- Place the Dispenser Tray cover on top of catch tray and position under the two plastic retainers on either side.

- Center Dispenser tray, and align with center guides.
- Push in until it firmly in place.

### Important Facts About Your Dispenser

- Do not add ice from trays or bags to the door ice maker bucket. It may not crush or dispense.
- Avoid overfilling glass with ice and use of narrow glasses. Backed-up ice can jam the chute or cause the door in the chute to freeze shut. If ice is blocking the chute remove the ice bucket, poke it through with a wooden spoon.
- Beverages and foods should not be quick-chilled in the door ice maker bin. Cans, bottles or food packages in the storage drawer may cause the ice maker or auger to jam.
- To keep dispensed ice from missing the glass, put the glass close to, but not touching, the dispenser opening.
- Some crushed ice may be dispensed even though you selected CUBED ICE. This happens occasionally when a few cubes accidentally get directed to the crusher.
- After crushed ice is dispensed, some water may drip from the chute.
- Sometimes a small mound of snow will form on the door in the ice chute. This condition is normal and usually occurs when you have dispensed crushed ice repeatedly. The snow will eventually evaporate.

### About Hot Water.



### To Use Hot Water Dispenser

- Press HOT WATER button.
- Select desired water temperature on the LCD screen (90, 150, 170, 185 or Custom).
- When hot water is ready (indicated on the screen and by a beeping sound) hold container with left hand centered in the recess under the spout.

- To dispense water, rotate the hot water knob counterclockwise and then push it in. The knob must be held in during dispense.

### Important Facts about HOT WATER

#### WARNING Scalding Hazard.

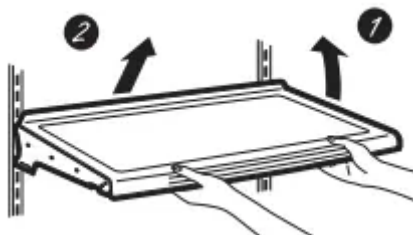
The water coming from the dispenser is very hot and can cause scalds or burns. Read all warnings prior to use. (See page 4.)

- Always use a container that is suitable for hot liquids (ceramic, styrofoam, etc.)
- The maximum single hot water dispense amount is 10 oz. Additional hot water can be dispensed by restarting the hot water feature through the LCD screen.
- HOT WATER works best with household water pressure of 40 to 100 psi.
- HOT WATER will time out if unused and may require a short reheat time.

### About the fresh food storage options.

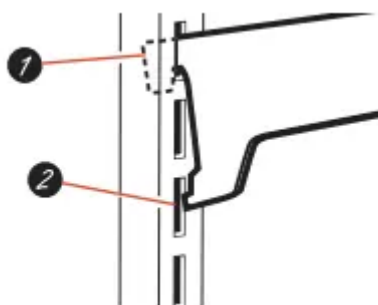
#### Rearranging the Shelves

Shelves in the refrigerator compartment are adjustable.



#### To remove:

1. Remove all items from the shelf.
2. Tilt the shelf up at the front.
3. Lift the shelf up at the back and bring the shelf out.

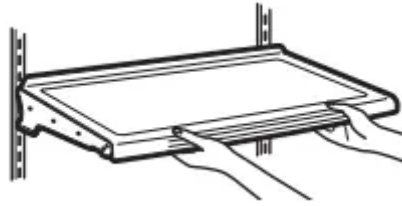


#### To replace:

1. While tilting the shelf up, insert the top hook at the back of the shelf in a slot on the track.

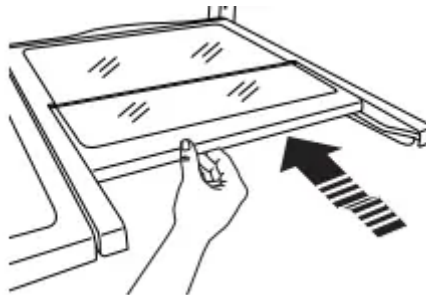
2. Lower the front of the shelf until the bottom of the shelf locks into place.

### Spillproof Shelves



Spillproof shelves have special edges to help prevent spills from dripping to lower shelves.

### Quick Space Shelf

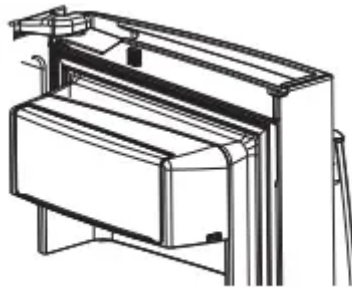


This shelf splits in half and slides under itself for storage of tall items on the shelf below. This shelf can be removed and replaced or relocated (just like spillproof shelves).

**NOTE:** The back half of the Quick Space Shelf is not adjustable.

### About the fresh food storage options.

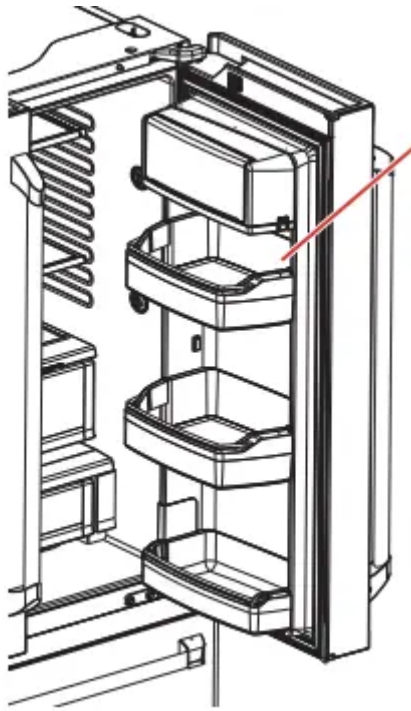
#### Non-Adjustable Dairy Bin



**To remove:** Lift the dairy bin straight up, then pull out.

**To replace:** Engage the bin in the molded door supports and push down. The bin will lock in place. See page 33.

#### Adjustable Bins on the Door

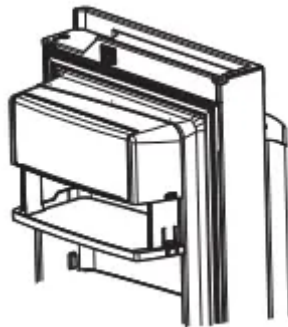


Adjustable bins can easily be carried from refrigerator to work area.

**To remove:** Lift bin straight up, then pull out.

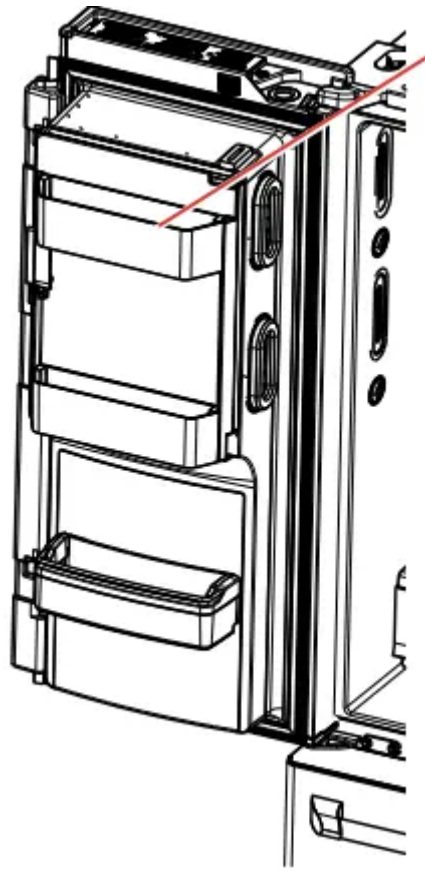
**To replace or relocate:** Slide in the bin just above the molded door supports, and push down. The bin will lock in place (see page 33).

**Drop down tray (tray open)**



1. Open right fresh food door
2. Depress both buttons on lower sides of bin and bin will drop down.
3. Reverse to reinstall.

**Non-Adjustable Bins on the Door**

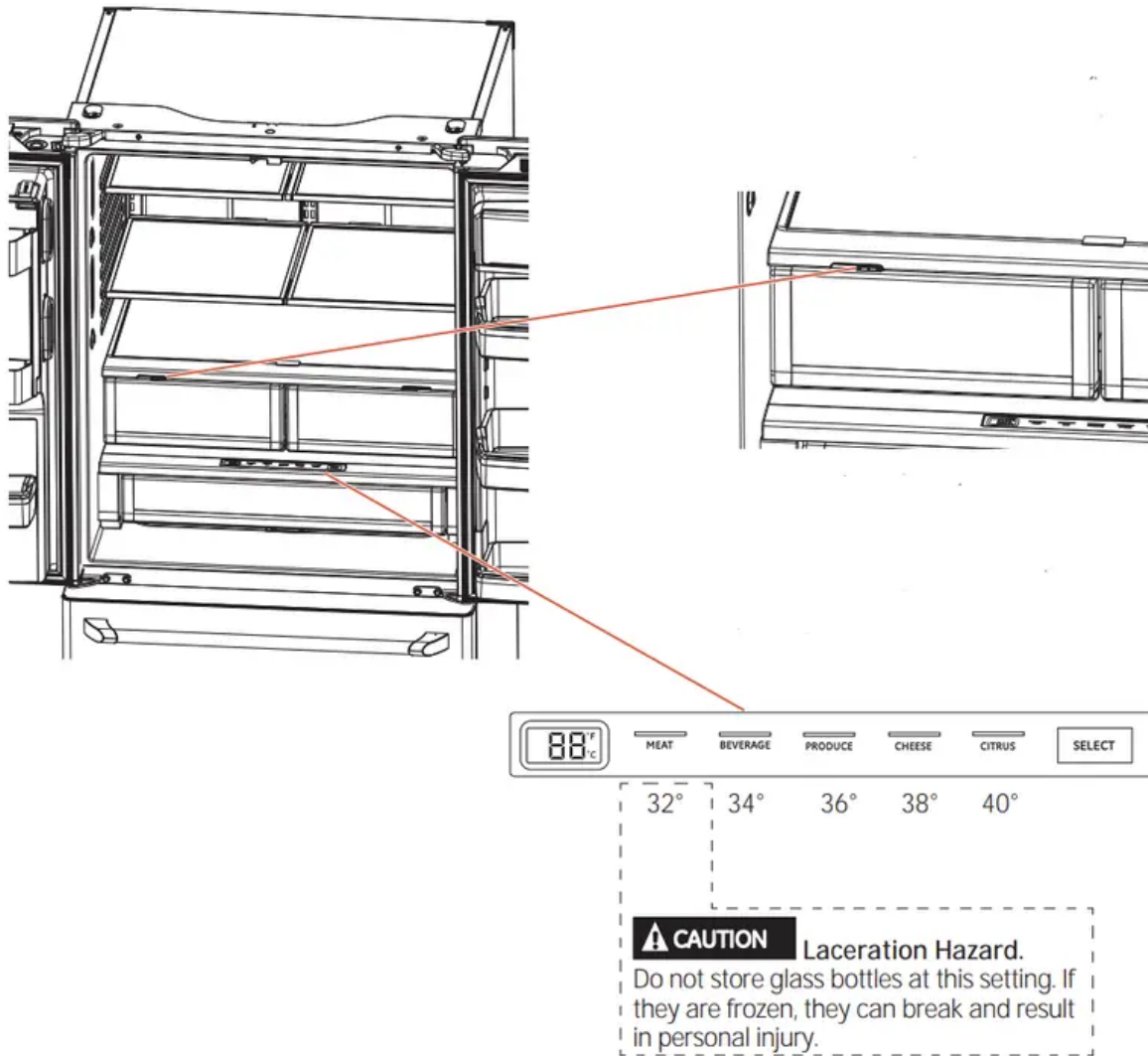


**To remove:** Lift the bin straight up, then pull out.

**To replace:** Engage the bin in the molded supports on the door and push down. It will lock in place.

The ice maker door bins are not interchangeable, note the location upon removal and replace the bin in its proper location.

## About the climate zone and temperature controlled drawer.



### ClimateZone

Keep fruits and vegetables organized in separate compartments for easy access.

Excess water that may accumulate in the bottom of the drawers or under the drawers should be wiped dry.

### Temperature Controlled Drawer

The Temperature Controlled Drawer is a full-width drawer with adjustable temperature control. This drawer can be used for large miscellaneous items. To change setting, press select button.

**Note:** when fresh food temperature is set to 40° or higher, temperature controlled drawer can only be set to citrus.

### How to Remove and Replace the Adjustable Deli/Produce Drawer

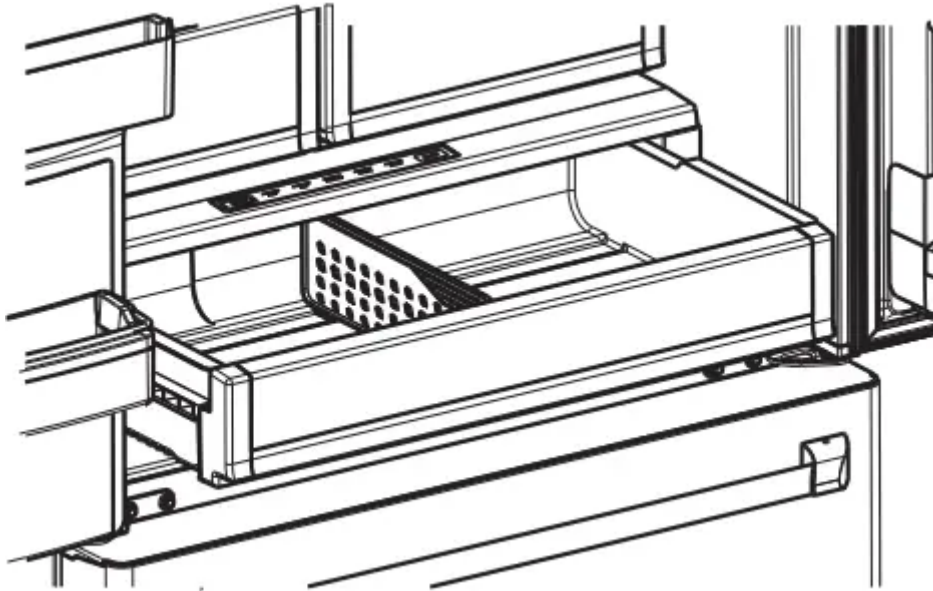
#### To remove:

1. Pull the drawer out to the stop position.

2. Lift the front of the drawer up and out.

To replace:

1. Pull left and right slides until fully extended.
2. Place drawer back in first and rotate drawer front down to seat on slide.
3. Push the drawer in to closed position.



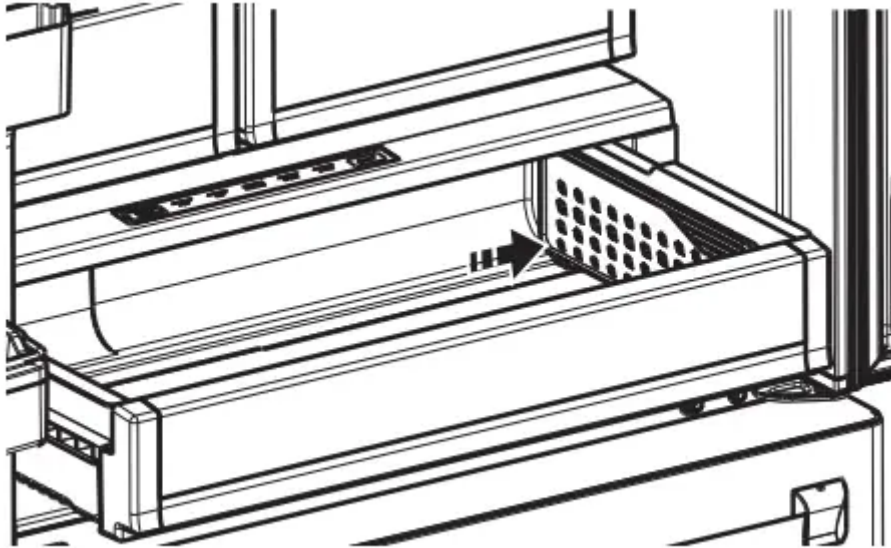
### **How to Remove and Replace Drawer Divider**

To remove:

1. Pull the drawer out to the stop position.
2. Slide pan divider to right to release it from pan.

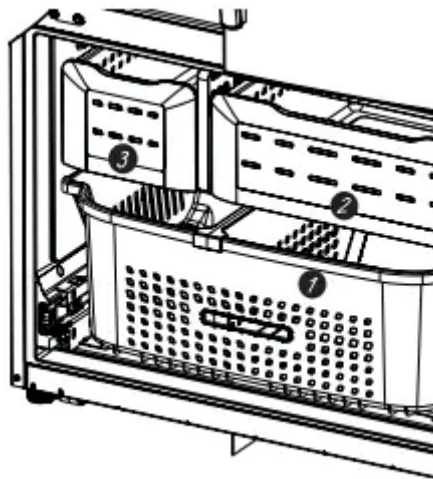
To replace:

Reverse steps 1 and 2 to replace drawer divider.



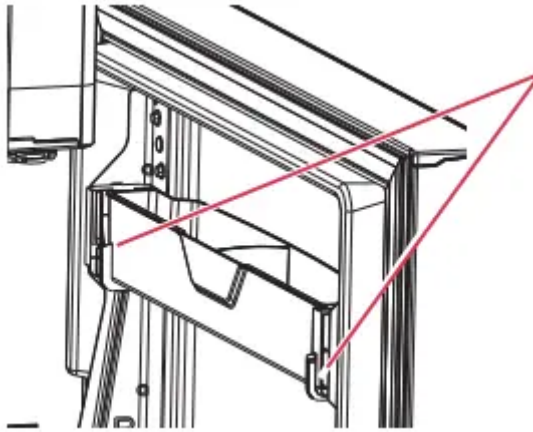
## About the freezer.

### Freezer Basket and Drawer



1. Basket.
2. Drawer
3. Utility Bin

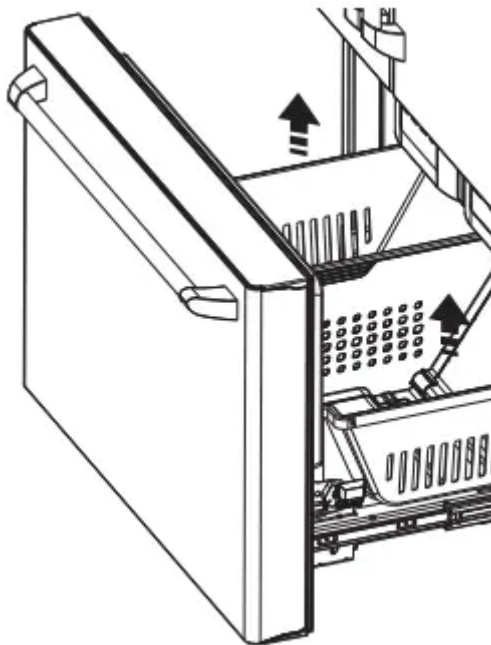
### Non-Adjustable Bin in the Freezer



To remove: push in plastic tab on either left or right side

To replace: slide bin into location until it locks into place.

### **Basket Removal**



To remove, CFE only:

1. Open freezer door to the stop position.
2. Remove freezer door bin by pushing plastic tab on either left or right side to release bin hinge pin.
3. Remove freezer basket by lifting up the rear of the basket and moving basket rearward until the front of the basket can be rotated upward and out.
4. Lift it out to remove.

To remove, CYE only:

1. Open fresh food doors.

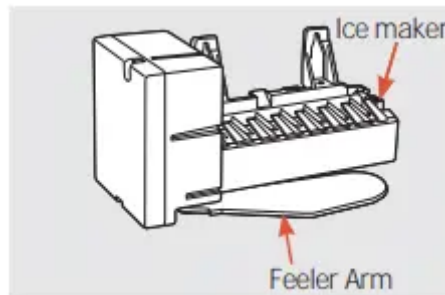
2. Open freezer door to the stop position.
3. Remove freezer basket by lifting up the rear of the basket and rotate it upward.
4. Lift it out to remove.

To replace:

Reverse step 1 thru 4 to replace.

**About the automatic ice maker.**

A newly installed refrigerator may take 12 to 24 hours to begin making ice.



**Automatic Ice maker (on some models)**

The ice maker will produce seven cubes per cycle approximately 100–130 cubes in a 24-hour period, depending on freezer compartment temperature, room temperature, number of door openings and other use conditions.

The ice maker will fill with water when it cools to 15°F (–10°C). A newly installed refrigerator may take 12 to 24 hours to begin making ice cubes. If the refrigerator is operated before the water line connection is made to the unit or if the water supply to an operating refrigerator is turned off, make sure that the ice maker is turned off. Once the water has been connected to the refrigerator, the ice maker may be turned on. See the table below for details.

You may hear a buzzing sound each time the ice maker fills with water.

Throw away the first few batches of ice to allow the water line to clear.

Be sure nothing interferes with the sweep of the feeler arm.

When the bin fills to the level of the feeler arm, the ice maker will stop producing ice. It is normal for several cubes to be joined together.

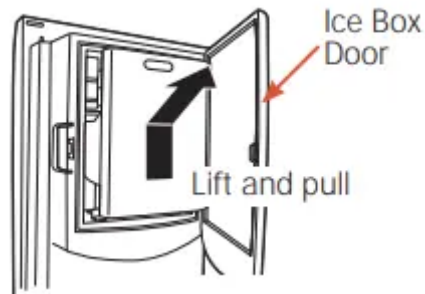
If ice is not used frequently, old ice cubes will become cloudy, taste stale and shrink.

**NOTE:** In homes with lower-than-average water pressure, you may hear the ice maker cycle multiple times when making one batch of ice.

**WARNING** To minimize the risk of personal injury, avoid contact with the moving parts of the ejector mechanism, or with the heating element that releases the cubes. Do not place fingers or hands on the automatic ice making mechanism while the refrigerator is plugged in.

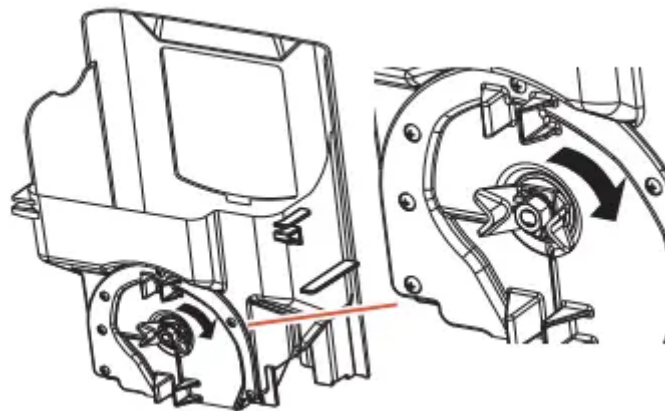
## How to Turn the Ice Maker On/Off

Display Type (See Page 7)	Model #	How to turn the ice maker on/off
Café Control Style	CYE/CFE	Use the settings menu on the touchscreen



### Ice Bucket and Dispenser

1. Open the ice box door on inside of the left door.
2. Pull up and out on on the ice bucket in the left hand door to remove it from the compartment .
3. To replace the ice bucket, set it on the guide brackets and push until the ice bucket seats properly.
4. If bucket cannot be replaced, rotate the ice bucket fork 1/4 turn clockwise.



### Extra Ice Storage

There is additional ice storage in the freezer compartment drawer.

- Open the freezer drawer.
- The ice bucket is located on the left side below the mullion.
- Pull the ice bucket forward.

## Care and cleaning of the refrigerator.

### Cleaning the Outside

#### *The stainless steel panels, door handles and trim.*

Do not use appliance wax, polish, bleach, or other products containing chlorine on stainless steel.

Stainless steel can be cleaned with a commercially available stainless steel cleaner. A spray-on stainless steel cleaner works best.

#### *Silver-accented plastic parts.*

Wash parts with soap or other mild detergents. Wipe clean with a sponge, damp cloth or paper towel.

Do not use scouring pads, powdered cleaners, bleach or cleaners containing bleach because these products can scratch and weaken the paint finish.

Should spill tray need cleaning use lime remover.

### Cleaning the Inside

Unplug the refrigerator before cleaning.

If this is not practical, wring excess moisture out of sponge or cloth when cleaning around switches, lights or controls.

Use an appliance wax polish on the inside surface between the doors.

Use warm water and baking soda solution—about a tablespoon (15 ml) of baking soda to a quart (1 liter) of water.

This both cleans and neutralizes odors. Rinse and wipe dry.

**CAUTION** Do not clean glass shelves or covers with warm water when they are cold. Glass shelves and covers may break if exposed to sudden temperature changes or impact such as bumping or dropping. Tempered glass is designed to shatter into many small pieces if it breaks.

### Behind the Refrigerator

Be careful when moving the refrigerator away from the wall. All types of floor coverings can be damaged, particularly cushioned coverings and those with embossed surfaces.

Raise the leveling legs located at the bottom front of the refrigerator.

Pull the refrigerator straight out and return it to position by pushing it straight in. Moving the refrigerator in a side direction may result in damage to the floor covering or refrigerator.

Lower the leveling legs until they touch the floor.

When pushing the refrigerator back, make sure you don't roll over the power cord or water supply line.

## **Preparing for Vacation**

For long vacations or absences, remove food and unplug the refrigerator. Clean the interior with a baking soda solution of one tablespoon (15 ml) of baking soda to one quart (1 liter) of water. Leave the doors open.

LCD Models: turn refrigerator off at control (pg 7) .

If the temperature can drop below freezing, have a qualified service technician drain the water supply system to prevent serious property damage due to flooding

- 1) Turn refrigerator off (pg. 7) or unplug the refrigerator.
- 2) Empty ice bucket
- 3) Turn water supply off

If you cut the water supply off, turn off the ice maker (pg. 18).

## **Upon returning from vacation:**

- 1) Replace the water filter.
- 2) Run 2 gallons of water through the cold water dispenser (about 5 minutes) to flush the system.
- 3) Dispense 185°F hot water 3 times (10 oz. each) to flush the system.

## **Preparing to Move**

Secure all loose items such as shelves and drawers by taping them securely in place to prevent damage.

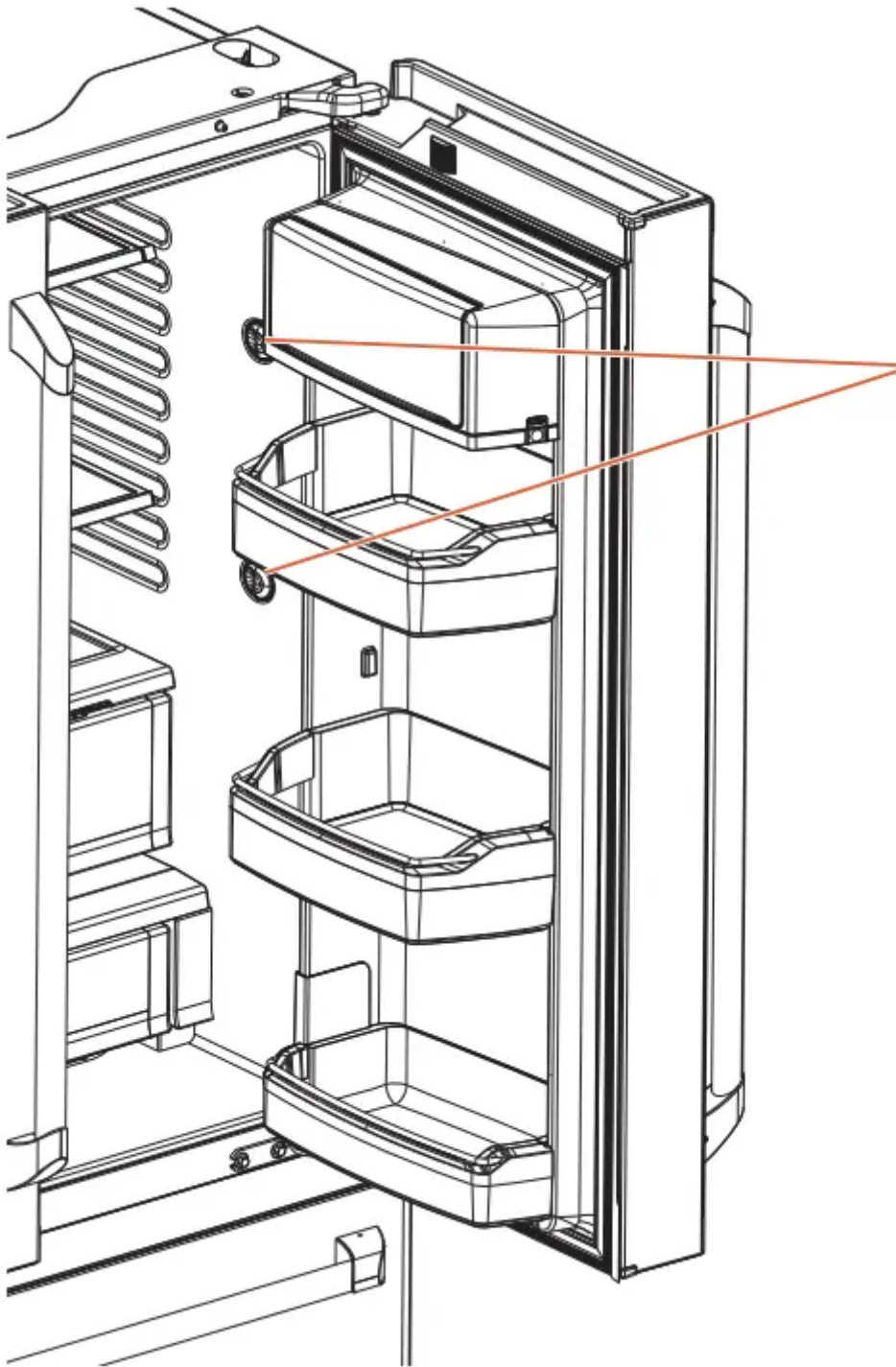
When using a hand truck to move the refrigerator, do not rest the front or back of the refrigerator against the hand truck. This could damage the refrigerator.

Handle only from the sides of the refrigerator.

Be sure the refrigerator stays in an upright position during moving.

## Replacing the lights

### Refrigerator Lights (LEDs)



There is LED lighting in fresh food compartment and on the bottom of the fresh food doors to light the freezer compartment.

An authorized technician will need to replace the LED light.

If this assembly needs to be replaced, call GE Service at 1.800.432.2737 in the United States or 1.800.561.3344 in Canada.

## **Normal operating conditions**

**Do you hear what I hear? These conditions are normal.**

## *HUMMM... WHOOSH...*

- The new high efficiency compressor may run faster and longer than your old refrigerator and you may hear a high-pitched hum or pulsating sound while it is operating.
- You may hear a whooshing sound when the doors close. This is due to pressure equalizing within the refrigerator.
- After dispensing ice, a motor will close the ice chute to keep warm room air from entering the ice bucket, maintaining ice at a freezing temperature.

The hum of the motor closing the ice chute is normal, shortly after dispensing ice.



- You may hear the fans spinning at high speeds. This happens when the refrigerator is first plugged in, when the doors are opened frequently or when a large amount of food is added to the refrigerator or freezer compartments. The fans are helping to maintain the correct temperatures.
- The fans change speeds in order to provide optimal cooling and energy savings.

### **CLICKS, POPS, CRACKS and SNAPS**

- You may hear cracking or popping sounds when the refrigerator is first plugged in. This happens as the refrigerator cools to the correct temperature.
- Expansion and contraction of cooling coils during and after defrost can cause a cracking or popping sound.
- On models with an ice maker, after an ice making cycle, you

### **WATER SOUNDS**



- The flow of refrigerant through the cooling coils may make a gurgling noise like boiling water.
- Water dropping on the defrost heater can cause a sizzling, popping or buzzing sound during the defrost cycle.
- A water dripping noise may occur during the defrost cycle as ice melts from the evaporator and flows into the drain pan.

may hear the ice cubes dropping into the ice bucket.

- On models with a dispenser, during water dispense, you may hear the water lines move at initial dispense and after dispenser button is released.

- Closing the door may cause a gurgling sound due to pressure equalization.

### **START UP COOLING**

It can take up to 24 hours for the refrigerator and freezer temperatures to match the display. During that time refrigerator and freezer door openings should be minimized.

#### **TIPS**

- Freezer cools first.
- Refrigerator compartment cools last; it may take several hours after the freezer.
- Turning off ice maker makes both fresh food and freezer food cool faster.

**Before you call for service...**



<b>Problem</b>	<b>Possible Causes</b>	<b>What to Do</b>
<b>Water filter indicator light remains lit after replacing filter</b>	Water filter indicator must be reset	On the LCD screen select system SETTINGS, then WATER FILTER. Select RESET.
<b>Water filter indicator light is not lit</b>	This is normal. This indicator will turn on to tell you that you need to replace the filter soon	See About the Water Filter for more information.
<b>Handle is loose/handle has a gap.</b>	Handle needs adjusting	See Attach Fresh Food Handle and Attach the Freezer Handle sections for detailed instructions.
<b>Refrigerator beeping</b>	This is door alarm	Turn off or disable with door closed. If door open and alarm is sounding, you can only snooze the alarm.
<b>Not cooling</b>	The cooling system is off	See About Controls.
<b>Water has poor taste/odor</b>	Water dispenser has not been used for a long time	Dispense water, until all water in system is replenished.
<b>Water in glass is warm</b>	Normal when refrigerator is first installed	Wait 24 hours for the re
	Water dispenser has not been used for a long time	Dispense water, until all water in system is replenished.
	Water system has drained	Allow several hours for replenished supply to chill.
<b>Water dispenser does not work</b>	Water supply line turned off or not connected	See Installing the Water Line.
	Water filter clogged or filter/bypass plug not installed	Replace filter cartridge or remove filter and install bypass plug.
	Air may be trapped in the water system	Press the dispenser arm for at least 5 minutes.
	Water in reservoir is frozen because the controls are set too cold	Set the refrigerator control to a warmer setting and wait 24 hours. If



		the water does not dispense after 24 hours, call for service.
<b>Water spurting from dispenser</b>	Newly installed filter cartridge	Run cold water from the dispenser for 5 minutes (about 2 gallons)..
<b>No water or ice cube production</b>	Supply line or shutoff valve is clogged	Call a plumber
	Water filter is clogged	Replace filter cartridge or remove filter and install bypass plug
	Filter cartridge not properly installed	Remove and reinstall filter cartridge, being certain that it locks in place.
	Ice maker is turned off	Check that the ice maker is turned on. See About the Automatic Ice Maker.
<b>Water is leaking from dispenser</b>	Air may be present in the water line system, causing water to drip after being dispensed	Dispense water for at least 5 minutes to remove air from system
<b>Photos not found</b>	Photos not in root directory of USB	Make sure the photos are in the root directory in your USB
	Photos not in JPEG format	Photos must be in JPEG format
	Camera/PC used with USB cord	Must use a USB drive
<b>PRECISE FILL will not fill container</b>	Normal, PRECISE FILL requires use of dispenser paddle	For a specific amount of water, select PRECISE FILL to dispense water
<b>Freezer cooling, fresh food not cooling</b>	Normal, when refrigerator first plugged in or after extended power outage	Wait 24 hours for temperature in both compartments to reach selected temperatures.
<b>Ice dispenser opens after closing freezer drawer</b>	Normal	The ice dispenser door may open after closing freezer door to allow access
<b>Hot water does not work</b>	Operation disabled	Make sure "Hot Water Disabled" is not selected



	Low water pressure	Make sure water line is not kinked
	Water supply line turned off or not connected	See Installing the Water Line
	Water filter clogged or filter/ bypass plug not installed	Replace filter cartridge or remove filter and install bypass plug
<b>Hot water continues to dispense for a short time after releasing the knob</b>	Water filter is partially clogged or low water pressure (<40 psi)	Replace filter cartridge or remove filter and install bypass plug or increase water pressure

## SERVICE

Before you call for service, review the detailed troubleshooting tips in the Owner's manual. If needed, service can be scheduled by visiting us online [GEAppliances.com](http://GEAppliances.com) or calling 800.ge.CARES 800.432.2737

### Truth or Myth



Truth or Myth?	Answer	Explanation
<p><b>The refrigerator water filter may require replacement, even though the filter indicator has not turned red, or reads "Filter Expired."</b></p>	TRUE	<p>The water filter indicator will indicate the need to replace the water filter every six months. Water quality varies from city to city; if water flow from the dispenser slows, or ice production decreases, the water filter should be replaced, even though the filter indicator may not indicate the need for replacement.</p>
<p><b>The automatic ice maker in my refrigerator will produce ice when the refrigerator is plugged in to a power receptacle.</b></p>	MYTH	<p>The refrigerator must be connected to water, and the ice maker must be turned on. Make sure the ice maker is turned on, only after the water line is connected and water is turned on. The ice maker can be turned on/ off from the controls and ensure the ice maker is on, as indicated on the refrigerator control panel. See About the Automatic Ice Maker</p>
<p><b>After the refrigerator has been plugged in and connected to water, I will immediately have unlimited chilled water available from the water dispenser.</b></p>	MYTH	<p>The water dispenser tank located inside the refrigerator stores water for dispensing. The water in this tank requires 24 hours to chill after installation. High usage conditions will not allow time for the water to chill.</p>
<p><b>After water dispenses, a few drops of water are normal.</b></p>	TRUE	<p>A few drops of water may fall from the dispenser, after the dispenser paddle has been released. To minimize the drops, remove the glass slowly from the dispenser</p>
<p><b>I will never see frost inside the freezer compartment.</b></p>	MYTH	<p>Frost inside the freezer typically indicates that the door is not properly sealed, or has been left open. If frost is found, clear the frost using a plastic spatula and towel, then check to ensure that no food packages or containers are preventing the freezer door from closing. Check the refrigerator control panel to ensure the door alarm is on.</p>
<p><b>When the refrigerator is installed, or after replacing the water filter, I must dispense water for five minutes.</b></p>	TRUE	<p>A newly installed refrigerator or water filter contains air in the water lines. Press the dispenser paddle and dispense cold water for at least 5 minutes to remove air from the water line, and flush the filter</p>



<p><b>To fill the ice bucket to the maximum capacity, I should dispense 12 and 18 hours after installation.</b></p>	<p>TRUE</p>	<p>Dispensing 3-4 cubes 12 hours and 18 hours after installation, allows ice to disperse within the ice bucket, which in turns calls on the ice maker to produce additional ice. Normal ice production = 100 cubes in 24 hours.</p>
<p><b>I can use the water filter bypass plug to determine if the filter requires replacement.</b></p>	<p>TRUE</p>	<p>Decrease in flow from the water dispenser, or decreased ice production, may indicate the need to replace the water filter. Install the water filter bypass plug (provided with the refrigerator), and check flow from the dispenser. If water flow returns to normal with the bypass plug in place, replace the water filter.</p>
<p><b>The top of the refrigerator doors will always be aligned.</b></p>	<p>MYTH</p>	<p>Several things can affect the fresh food door alignment, including the floor the refrigerator is installed on and loading of doors. If the top of the fresh food doors are not aligned, use a 1/4" allen wrench to adjust the right/ left hand door. The adjustment screw is located on the bottom right or left hand side of the door; open the freezer door to access the screw. On some models, the left hand fresh food door may be raised using spacers. Call 800-GECARES to obtain the spacers.</p>
<p><b>Refrigerator door handles can be easily tightened.</b></p>	<p>TRUE</p>	<p>If door handles are loose or have a gap, the handle can be adjusted using a 1/8" allen wrench, on set screws located on the ends of the handles.</p>
<p><b>There may be odor and taste problems with your ice.</b></p>	<p>TRUE</p>	<p>After starting the ice maker throw away 24 hours of ice production to avoid odor and taste problems.</p>
<p><b>I can make fine adjustments to the fresh food doors to align them.</b></p>	<p>TRUE</p>	<p>If the fresh food doors are not aligned, use a 1/4" Allen wrench to adjust the right hand door. The adjustment screw is located on the bottom of the right door. Open the freezer door to access. The left hand fresh food door may be raised using spacers. Call 800-GECARES to obtain the spacers.</p>
<p><b>Door handles should always be removed for installation.</b></p>	<p>MYTH</p>	<p>Check chart on reverse side of this instruction. If the doors must be removed do not remove the handles, or if the refrigerator will fit easily through the passage way opening. Adjust handles that are loose or have a gap, by adjusting 1/8" set screws on either end of handles.</p>



<b>Door removal is always required for installation.</b>	MYTH	Check chart on reverse side of this instruction. Doors should only be removed when necessary to prevent damage from passage way or access to final location.
<b>Refrigerator doors that won't close after installation, can be adjusted to close properly.</b>	TRUE	Door mechanism works best if installed at 90°+. If installed at 180°, remove the door from the mid hinge, and swing the door 180° before reinstalling. See Reinstalling the Refrigerator Doors.
<b>There is an adjustment to rear wheels.</b>	MYTH	Front leveling legs are adjustable and should be used to balance the refrigerator. Leveling legs are used to make initial fresh food door adjustment.
<b>Check for leaks after all water connections are made.</b>	TRUE	While purging the air from the water system, check all water line connections for leaks. Check the connection to the household water supply at back of refrigerator, and door water line connect.
<b>My LCD display will always be on when I plug the power cord in at installation.</b>	MYTH	If the refrigerator has been stored in a cold environment, the LCD may be slow to give a proper display. Give the refrigerator enough time to warm up, and the display should be okay.
<b>Any packaging residue can be cleaned off the refrigerator using any cleaner.</b>	MYTH	Do not use wax, polish, bleach, or other products containing chlorine on Stainless Steel panels, door handles and trim. Check this instruction under "Cleaning the Outside" for full details.

### **Warning**

This content is compiled from multiple sources and is provided for reference purposes only. It may not be complete or fully applicable to all situations. If you are unable to resolve your issue, please contact the product manufacturer or an authorized service provider for official support.

