

OPERATING INSTRUCTIONS

Normal Operating Sounds

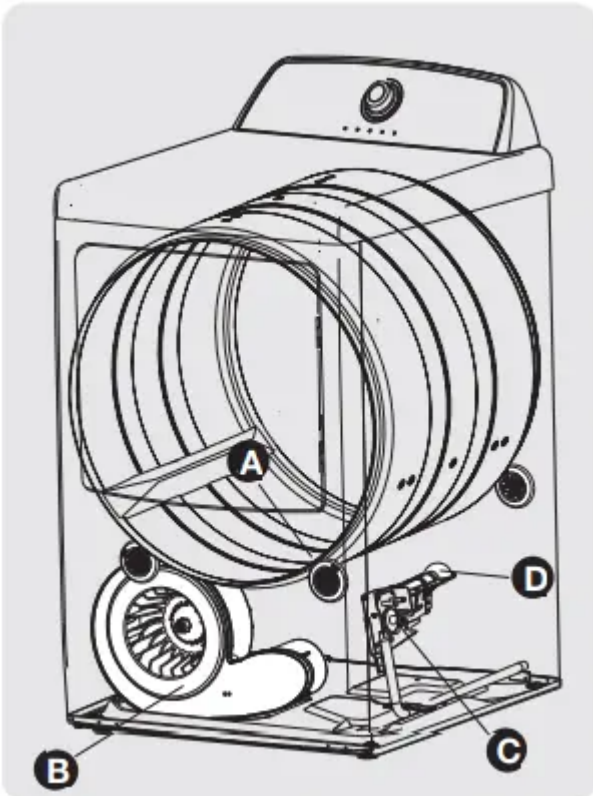
You may or may not hear the following sounds from your new dryer:

A. **SUSPENSION ROLLERS** The dryer drum is supported by a set of suspension rollers. At times there may be a thumping or rolling sound when the dryer starts. This may happen if the dryer has not been in use for a period of time, or after a heavy load has remained in the dryer drum for an extended period, creating a temporary flat spot on the edge of the roller. The noise should dissipate as the dryer operates and the flat spots smooth out.

B. **AIR FLOW SYSTEM** Your dryer is equipped with a high volume air handling system. In some installations there may be some sounds associated with air movement throughout the dryer, including the air duct, blower, and exhaust system. This is normal and can vary with load size and type.

C. **GAS VALVE** (Gas models only.) The flow of gas is controlled by electric solenoids. During operation there may be a clicking sound as the valve opens and closes to control the gas flow.

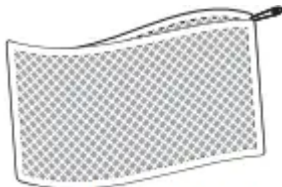
D. **GAS BURNER** (Gas models only.) When the burner is operating, there may be sounds generated as the air flow mixes with the gas flame. This noise is normal and will only occur when the gas is ignited in the combustion tube.



Operating Your Dryer

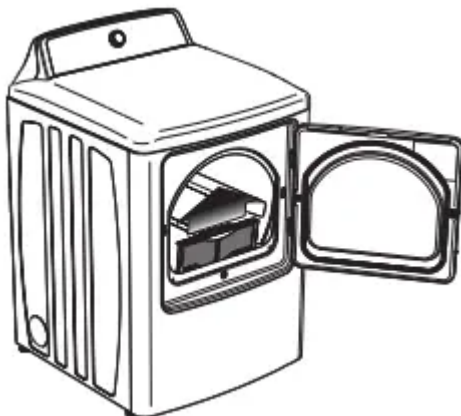
1 Prepare load for drying.

- Dry items of similar fabric, weight and construction in the same load.
- Separate dark items from light-colored items. Separate items that shed lint from those that attract lint.
- Check for stains which may not have been removed in washing. Repeat stain removal process and wash again before drying. Dryer heat may permanently set some stains.
- Place delicate or small items in a mesh bag.
- Be sure buckles, buttons and trim are heatproof and won't damage the drum finish. Close zippers, button buttons, fasten hooks and Velcro®-like fasteners. Tie strings and sashes to prevent snagging and tangling.



(Mesh bag not included.)

2 Check that the lint filter is clean and in place



3 Load the dryer and close the door.

- Load items loosely. The average wet load will fill the drum 1/3 to 1/2 full. Items need room to tumble freely for even drying and less wrinkling.
- If desired, place a dryer fabric softener sheet on top of the load at the beginning of the cycle.
- To save energy and time and avoid uneven drying and wrinkling, do not overload the dryer.
- When drying large items, dry only two or three items at a time. Fill out the load with small and medium sized items.

- For delicate or very small loads, add two or three similar items to improve tumbling action.

4 Select the appropriate cycle and settings for each load.

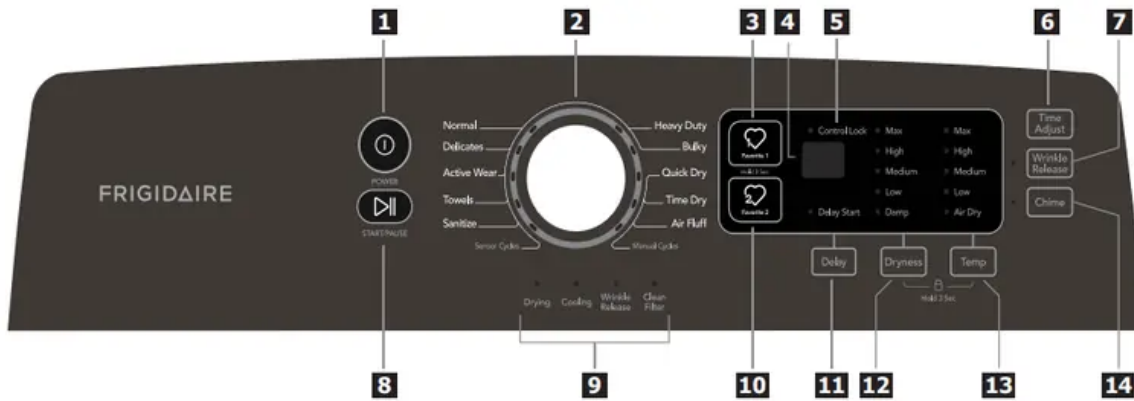
- See Dryer Operating Instructions on following pages.

5 Start the dryer.

- Close the dryer door. The dryer will not operate with the door open.
- Press the POWER button to turn on the unit.
- Turn the cycle selector in either direction to scroll to the desired cycle. The indicator for that cycle will be illuminated. See the “Cycle Selection” section in this guide for descriptions of each cycle.
- The estimated cycle time, preset drying temperature, dryness level, and options for each cycle will be indicated for the cycle displayed. See the “Cycle Settings” and “Dryer Settings Chart” in this guide for descriptions and available settings for each cycle.
- To change the settings, press the Temp and Dryness buttons to scroll to the desired settings.
- To select or deselect an option, press the button for that option. The indicator will be illuminated when the option has been selected. The indicator will no longer be lighted when the option has been deselected.
- After making your selections, press START to begin the cycle.
- To add or remove items when the dryer is running, press the Pause button to pause the cycle and open the door. Opening the door with a cycle running will also pause the cycle. Allow the drum to come to a complete stop before reaching inside. Add or remove the item, close the door and push the START button again, continuing the current cycle.
- To cancel a running cycle, press the POWER button.
- A signal will sound at the end of the cycle if the chime option has been selected.

6 When the cycle ends, remove items immediately and hang or fold.

Cycle Selection



- | | | |
|----------------------------|---------------------------------|-------------------------------|
| 1 POWER | 2 Cycle Selector | 3 Favorite Cycle 1 |
| 4 LED Display | 5 Control Lock Indicator | 6 Time Adjust |
| 7 Wrinkle Release | 8 START/PAUSE | 9 Cycle Status Display |
| 10 Favorite Cycle 2 | 11 Delay Start | 12 Dryness Level |
| 13 Temperature | 14 Chime | |

This manual covers many models and not all cycles, options, or features listed are available on every model. Console shown above for reference only. Your model may differ.

SELECTING THE RIGHT CYCLE TO SAVE ENERGY

This dryer has been specifically designed with options to help you save energy and at the same time utilize the optimal drying setting for your clothing.

Some cycles save more energy than others. Cycles that use the least amount of heat save the most energy. Use the lowest heat setting (auto and timed dry cycles) and lowest dryness level (auto dry cycles) to save on energy and prevent over drying your clothing

Sensor Dry Cycles

Sensor Dry cycles take the guesswork out of selecting the correct drying time for each load. Moisture sensing bars in the front of the dryer drum sense the moisture level of the load as it tumbles through the heated air. With Sensor Dry cycles, the load will automatically be dried at the selected temperature to the desired dryness level.

Sensor Dry cycles save time and energy and protect fabrics. When the load has reached the selected dryness level, it will continue to tumble, unheated, during a cool down period. This helps reduce wrinkling and makes items easier to handle during unloading.

Drying time varies depending on size and dampness of load and fabric type. If the load is too small or almost dry, the moisture sensing bars may not detect enough moisture to continue the cycle and the cycle may end after a few minutes. If this occurs, then select the Time Dry cycle to dry such loads.

Room temperature and humidity, type of installation and electrical voltage or gas pressure can also affect drying time.

Normal

Select this cycle to dry everyday fabrics including cottons, linens and sheets.

Delicates

Select this cycle to dry knits and delicates.

Active Wear

Select this cycle to dry lightweight, synthetic apparel worn for working out, running, swimming, cycling, tennis and similar activities, including stretch fabrics. Fabric softeners reduce wicking and are not recommended for garments made to pull moisture away from the body.

Towels

Select this cycle to dry heavy loads such as towels and non rubber-backed bath mats.

Sanitize

Recommended for durable fabrics and towels. Use this cycle to remove harmful bacteria from your clothing or other items where sanitization is desired.

This option will kill 99.9% of bacteria. A higher temperature is required to kill bacteria. Please check fabric care labels to prevent damage.

Heavy Duty

Select this cycle to dry durable garments - ex. towels, sports gear, fabric tote bags, jeans, or overalls.

Bulky

Select this cycle to dry bedding and bulky items such as comforters, blankets, sleeping bags and parkas.

Manual Dry Cycles

Quick Dry

Select this cycle to quickly dry a small load.

Time Dry

To manually select the drying time for any load, scroll the cycle selector indicator to Time Dry. Drying time can be adjusted by repeatedly pressing the Time Adjust button. Drying time will be displayed. Select any drying temperature. Because this is not a Sensor Dry cycle, you will not be able to select a dryness level.

Air Fluff

Select this cycle to refresh clothing, stuffed animal, pillows or blankets, and to dust draperies. No heat will be applied to the load as it tumbles.

Cycle Settings

Select appropriate drying temperature and dryness level settings suitable for each load. Make selections based on load size, dampness and fabric type and durability.

The settings can be changed before the cycle is started. If changes are attempted after the cycle starts, the lights will flash and a signal will beep, but the cycle will continue.

Drying Temperature

To change the preset temperature on Manual Dry cycles, press the Temp button to scroll to the desired setting.

Max

Recommended for towels, heavy duty loads, and durable fabrics.

High

Recommended for most cotton fabrics.

Medium

Recommended for wrinkle free, easy care, lightweight fabrics and bulky loads.

Low

Recommended for knits and delicate fabrics.

Air Dry

The Air Dry setting tumbles the load without heat. Use this setting to dry items containing feathers, down, foam rubber, plastics or rubber-like materials.

Dryness Level

To change the preset level, press the Dryness button to scroll to the degree of dryness desired. Occasionally a load may seem too damp or over-dried at the end of the cycle. To increase drying time for similar loads in the future, select Max or High. For loads requiring less drying time, select Low. Select Damp for items you wish to partially dry before hanging or ironing.

Cycle Options

To select an option, press the corresponding option button to illuminate the desired option. To deselect an option, press the option button again and the indicator light will turn off.

Not all options are available on every model. To protect your fabrics, not all options are available with every cycle. If an option is not appropriate for the cycle, the indicator will not light.

Wrinkle Release

Select Wrinkle Release if the dried load might not be removed promptly at the end of the cycle. The dry load will continue tumbling without heat to help reduce wrinkling. When Chime is selected, a beep will be heard periodically. The load may be removed any time during Wrinkle Release.

Chime

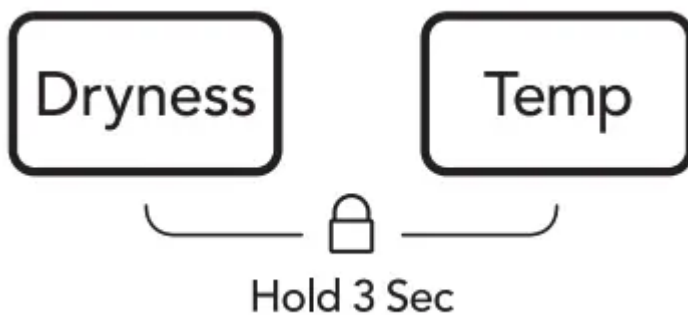
A signal will sound at the end of the cycle (and periodically during Wrinkle Release) if this option is selected.

Other Features

ⓘ POWER

Turn your dryer on, off, or cancel the current cycle with the POWER ⓘ button. If the dryer is left on for more than ten minutes without pressing the START button, the dryer will automatically turn off.

🔒 Control Lock



To avoid having someone accidentally start or stop the dryer, press Dryness and Temp at the same time and hold for 3 seconds. The Control Lock indicator light will be illuminated. To remove the control lock, press and hold Dryness and Temp again.

Estimated Time Remaining

The estimated cycle time for Sensor Dry cycles and the actual time for Manual Dry cycles will be displayed when the cycle is selected. The estimated remaining cycle time is displayed during the cycle. The initial display may be " " for some cycles.

📖 Favorite 1 / 📖 Favorite 2





Hold 3 Sec

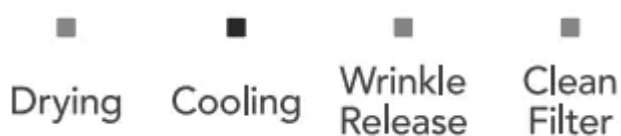


To program a custom drying cycle with your preferred settings and options use the Favorite option. After selecting the desired cycle and settings, press and hold either Favorite button for 3 seconds to store it. Recall your favorite cycle each time you press and release the Favorite button.

Delay Start

Press Delay to select a dry time convenient to your schedule or during off peak energy hours. Continue to press the button to add hours to the delay time. The delay time selected will be displayed and begin counting down when you press the START button. The cycle can be delayed from 1 to 24 hours in 1 hour increments. To cancel a delayed start, press the POWER  button to turn the unit off. Once you press START after entering a delay time you cannot modify the cycle or options. To make changes, cancel the delay by pressing the POWER  button, make your adjustments, add your delay and press START again to begin the delay countdown.

Status Lights



The following indicators may be lighted during the cycle, indicating the current phase of the wash cycle:

- Drying
- Cooling
- Wrinkle Release
- Clean Filter

Reversible Door

Your dryer is equipped with a reversible door. The door can be hinged on the right or left side.

Dryer Settings Chart



These temperatures and options are available with the following cycles:

	Normal	Delicates	Active Wear	Towels	Sanitize	Heavy Duty	Bulky	Quick Dry	Time Dry	Air Fluff
--	--------	-----------	-------------	--------	----------	------------	-------	-----------	----------	-----------

Temp

Max	✓				✓	✓	✓		✓	✓
High								✓	✓	✓
Medium		✓	✓						✓	✓
Low									✓	✓
Air Dry									✓	✓

Dryness

Max	✓			✓	✓	✓	✓			
High	✓	✓	✓	✓		✓	✓			
Medium	✓	✓	✓	✓		✓	✓			
Low	✓	✓	✓	✓		✓	✓			
Damp	✓	✓	✓	✓		✓	✓			

Options

Favorite 1	✓	✓	✓	✓	✓	✓	✓	✓	✓	✓
Favorite 2	✓	✓	✓	✓	✓	✓	✓	✓	✓	✓
Time Adjust									✓	✓
Wrinkle Release	✓	✓	✓	✓	✓	✓	✓	✓	✓	✓
Chime	✓	✓	✓	✓	✓	✓	✓	✓	✓	✓
Delay Start	✓	✓	✓	✓	✓	✓	✓	✓	✓	✓

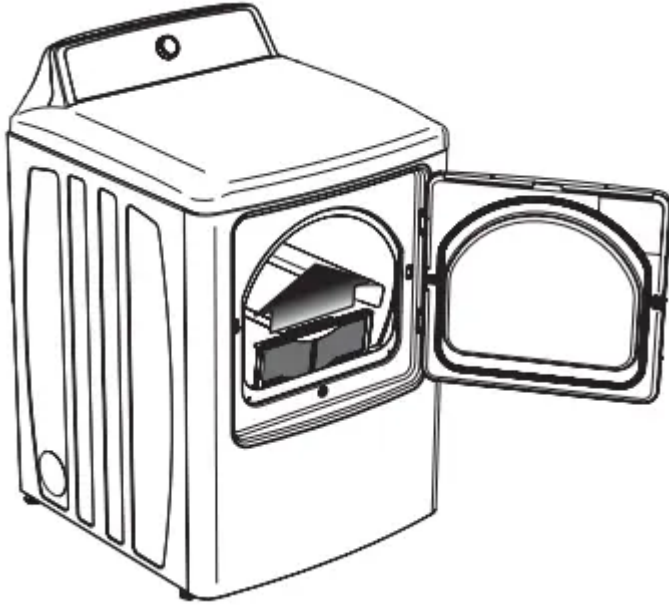
✓ = Available selections. ◻ = Factory presets. ◼ = Non-modifiable presets.



CARE AND CLEANING

Cleaning Instructions

WARNING FIRE HAZARD A clothes dryer produces combustible lint. The dryer must be connected to an outdoors exhaust. Regularly inspect the outdoor exhaust opening and remove any accumulation of lint around the opening and in the surrounding area.



IMPORTANT Clean the lint filter after every load.



- Before cleaning the dryer interior, unplug the electrical power cord to avoid electrical shock hazards.
- Do not use any type spray cleanser when cleaning the dryer interior. Hazardous fumes or electrical shock could occur.

INSIDE

- Clean the lint filter after every load. Lint build-up on the filter restricts air flow, which causes longer drying times. The filter is located at the bottom of the door opening. Remove by pulling straight up. Remove the lint and replace the filter.
- Occasionally a waxy build-up may form on the lint filter and/or moisture sensing bars from using dryer-added fabric softener sheets. To remove this build-up, wash them with warm, soapy water. Dry the filter thoroughly and replace. Do not operate the dryer without the lint filter in place.
- If the dryer drum becomes stained from noncolorfast fabrics, clean the drum with a damp cloth and a mild liquid household cleanser. Remove cleanser residue before drying the next load.
- Every 18 months an authorized servicer should clean the dryer cabinet interior and exhaust duct. These areas can collect lint and dust over time. An excessive amount of lint build-up could result in inefficient drying and possible fire hazard.

OUTSIDE

- Clean the cabinet with mild soap and water. Never use harsh, gritty or abrasive cleansers.
- If the cabinet becomes stained, clean with diluted chlorine bleach (1 part bleach to 8 parts water). Rinse several times with clear water.
- Remove glue residue from tape or labels with a mixture of warm water and mild detergent. Or, touch residue with the sticky side of the tape or label.
- Before moving the dryer, place a strip of cardboard or thin fiberboard under the front leveling legs to prevent damage to the floor

SOLUTIONS TO COMMON DRYING INQUIRIES

Many drying problems involve poor cleaning results, poor soil and stain removal, residues of lint and scum, and fabric damage. For satisfactory drying results, follow these suggestions provided by The Soap and Detergent Association.

PROBLEM	POSSIBLE CAUSES	SOLUTIONS	PREVENTIVE MEASURES
Greasy, oily stains	Fabric softener sheet.	Rub fabric softener stains with bar soap. Rinse and rewash.	<ul style="list-style-type: none"> • Add a few bath towels to small loads for proper tumbling. • Some “silk-like” fabrics should be air dried. • Use proper drying temperature. • Place fabric softener sheet on top of load before starting the dryer
Lint	<ul style="list-style-type: none"> • Overloading. • Overdrying causes static electricity. • Lint screen not clean when cycle began. • Lint is attached to “pills.” 	<ul style="list-style-type: none"> • Reduce load size and rewash using liquid fabric softener in the final rinse. • Or, add a fabric softener sheet and tumble without heat. • Use lint brush or roller to remove lint. 	<ul style="list-style-type: none"> • Do not overload dryer. • Use fabric softener in washer or dryer to reduce static electricity. • Remove items when they are slightly damp to avoid overdrying. • Check that lint filter is clean and in place.
Pilling (Fibers break off,	Overdrying.	Use a lint brush or shaver to remove pills.	<ul style="list-style-type: none"> • Use fabric softener to lubricate fibers.

PROBLEM	POSSIBLE CAUSES	SOLUTIONS	PREVENTIVE MEASURES
ball up and cling to fabric.)			<ul style="list-style-type: none"> • When ironing, use spray starch or fabric finish on collars and cuffs. • Turn items inside out to reduce abrasion.
Shrinking	<ul style="list-style-type: none"> • Temperature too high. • Overdrying. 	Irreversible condition.	<ul style="list-style-type: none"> • Follow fabric care label directions. • If shrinking is a concern, check load often. • Remove items while slightly damp and hang or lay flat to complete drying. • Block knits into shape.
Wrinkling	<ul style="list-style-type: none"> • Overloading. • Leaving items in dryer after cycle end 	<ul style="list-style-type: none"> • Reduce load size and tumble at medium or low heat for 5-10 minutes. • Remove items immediately. Hang or fold. 	<ul style="list-style-type: none"> • Do not overload dryer. • Remove items as soon as cycle ends.



AVOID SERVICE CHECKLIST

Before calling for service, review this list. It may save both time and expense. The list includes common occurrences that are not the result of defective workmanship or materials in this dryer.



OCCURRENCE	POSSIBLE CAUSE	SOLUTION
Dryer does not start.	Electrical power cord is not securely plugged in or plug may be loose	Make sure the plug fits tightly in wall outlet.
	House fuse blown or circuit breaker tripped.	Reset circuit breaker or replace fuse.
		Make sure electrical line is not overloaded and the dryer is on a separate circuit.
	Delay Start inadvertently activated	Ensure Delay Start not activated.
	Thermal limiter tripped.	Call authorized service person for replacement.
Door may be open. Unit will not operate with door open.	Ensure door is closed	
Dryer runs but won't heat	There are 2 house fuses in the dryer circuit. If 1 of the 2 fuses is blown, the drum may turn but the heater will not operate. (electric models)	Replace fuse.
	Gas supply valve is not open (gas models).	Check to make sure supply valve is open. See INSTALLATION INSTRUCTIONS for procedure.
	Dryer does not have enough air supply to support the burner flame (gas models).	See INSTALLATION INSTRUCTIONS.
	LP gas supply tank is empty or there has been a utility interruption of natural gas (gas models)	Refill or replace tank. Dryer should heat when utility service is restored.
Drying cycle takes too long, outside of the dryer	Lint filter is clogged with lint.	Make sure all lint has been removed from the dryer lint filter before starting each cycle.



OCCURRENCE	POSSIBLE CAUSE	SOLUTION
feels too hot or smells hot.	Exhaust duct requirements have not been met	Exhaust duct must be at least 4 inches in diameter and made of rigid or semi-rigid metal.
		When in place, the duct must have no more than four 90° bends and must not exceed length listed in INSTALLATION INSTRUCTIONS.
	Electric dryer is connected to a 208 volt circuit.	Drying time will be 20% longer than drying on a 240 volt circuit.
	Drying procedures have not been followed.	See "Operating Instructions."
	Outside exhaust hood or exhaust duct may be clogged or restricted.	Outside exhaust hood or exhaust duct may be clogged or restricted. Clean out any obstruction.
	High humidity.	Use a dehumidifier near the dryer
Excess moisture in drum between cycles	Exhaust damper stuck open or not present.	Fix or clean the damper, or install new one.
Excessive wrinkling.	Dryer is overloaded.	Do not overload. See "Operating Instructions."
	Items left in dryer too long.	Remove items as soon as cycle ends.
	Insufficient sorting of items.	See "Operating Instructions."
	Drying temperature too high.	Follow fabric care label instructions.
Scratching or chipping of the drum finish.	Foreign objects such as coins, pins, clips or buttons are inside the dryer.*	Always remove foreign objects from pockets before laundering. Remove objects from drum and restart dryer
	Permanently attached items such as belt buckles, zippers	It may be necessary to sew a scrap of material securely around



OCCURRENCE	POSSIBLE CAUSE	SOLUTION
	and fasteners may be hitting the inside of the drum.*	ornaments before drying to prevent scratching and damage to the drye

*Drum damage caused by foreign objects or permanently attached items is not covered by the warranty

Error Codes

ERROR CODE	POSSIBLE CAUSE	SOLUTIONS
E9	PCB failed	Call service - 1 800 944 9044
E4	Humidity sensor failed	<ul style="list-style-type: none"> • Unit will complete the current cycle. • Unit can still operate Manual Cycles. • If situation continues, call service - 1 800 944 9044.
E5	Temperature sensor failed	Call service - 1 800 944 9044

Warning

This content is compiled from multiple sources and is provided for reference purposes only. It may not be complete or fully applicable to all situations. If you are unable to resolve your issue, please contact the product manufacturer or an authorized service provider for official support.