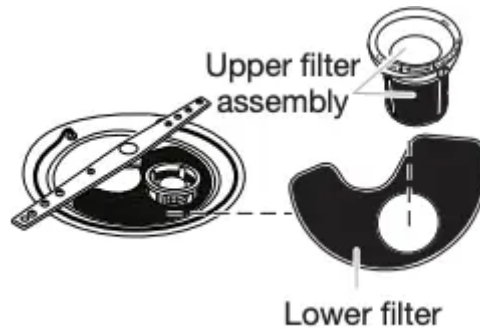


## KEY USAGE TIPS

### Filtration system and maintenance

Your dishwasher has the latest technology in dishwasher filtration. This filtration system minimizes sound and optimizes water and energy conservation while providing superior cleaning. The filter system consists of two parts, an upper filter assembly and lower filter

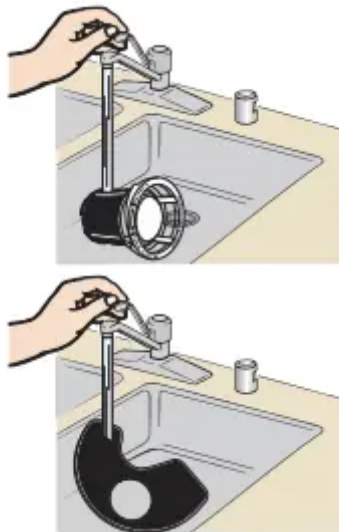


**IMPORTANT:** To avoid damage to dishwasher, do not operate your dishwasher without filters properly installed. Be sure lower filter is securely in place and upper filter assembly is locked into place. If upper assembly turns freely, it is not locked into place.

The filters may need to be cleaned when:

- Visible objects or soils are on upper filter assembly.
- Dishes feel gritty to the touch.

See “Filtration System” in the full User Instructions for complete removal and maintenance schedule.



**IMPORTANT:** Do not use a wire brush or a scouring pad, etc., as they may damage the filters.

Rinse filter under running water until soils are removed. If you have hard to remove soils or calcium deposits because of hard water, a soft brush may be required.

### Internet connectivity (on some models)

Use the Internet Connectivity Guide included in your literature pack to get connection and operation instructions. You can also find these and additional information at [whirlpool/connect](http://whirlpool/connect). If you have any problems or questions, call the Whirlpool Connected Appliance Team at 1-866-333-4591. In Canada, visit [whirlpool/en\\_CA](http://whirlpool/en_CA) and click on the Whirlpool® Connected Appliances link.

## Connect

### Drying – Rinse aid is essential

You must use a drying agent such as a rinse aid for good drying performance. Rinse aid along with the Heat Dry option will provide best drying and avoid excessive moisture in dishwasher interior.



### Energy efficiency

Energy efficiency is gained by extending cycle time and reducing the amount of wattage and water used during your dishwasher's cycle. For exceptional cleaning, cycles are longer due to the soak and pauses.

Efficient dishwashers run longer to save water and energy, just as driving a car slower saves on gas. Your first cycle will run longer to calibrate the optical water sensor.



### Press Start every time you add a dish

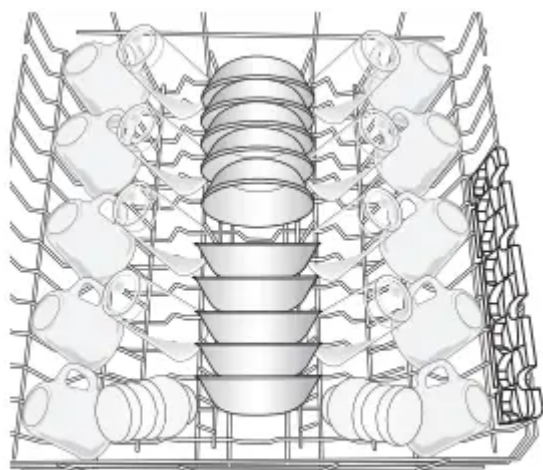
**IMPORTANT:** If anyone opens the door, such as for adding a dish (even during the Delay option), Start must be pressed each time.

Push door firmly closed within 4 seconds of pressing Start. If door is not closed within 4 seconds, the Start button LED will flash, an audible tone will be heard, and cycle will not start.

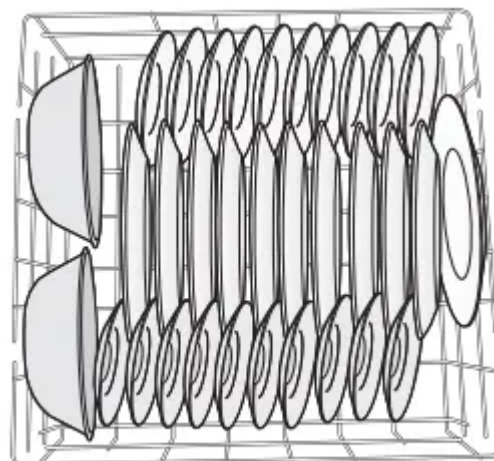


## OPERATING YOUR DISHWASHER

### 1. Prepare and load the dishwasher



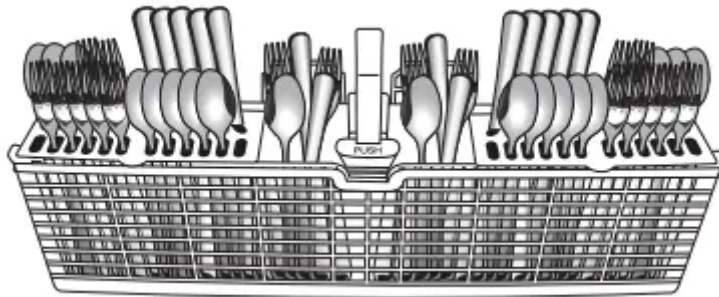
*10-place load – upper rack*



*10-place load – lower rack*

**IMPORTANT:** Remove leftover food, bones, toothpicks, and other hard items from dishes. Remove labels from containers before washing.

- Make sure when dishwasher door is closed, no items are blocking detergent dispenser.
- Items should be loaded with soiled surfaces facing down and inward to the spray as shown in the graphics above. This will improve cleaning and drying results. Angle dirtiest dish surface downward, allowing space for water to flow up through rack and between dishes.
- Avoid overlapping items, like bowls or plates, that may trap food.
- Place plastics, small plates, and glasses in upper rack.
- Wash only items marked “dishwasher safe.”
- To avoid thumping/clattering noises during operation, load dishes so they do not touch one another. Make sure lightweight load items are secured in racks.
- Use slots in the covers and suggested loading patterns to keep your silverware separated for optimum wash.



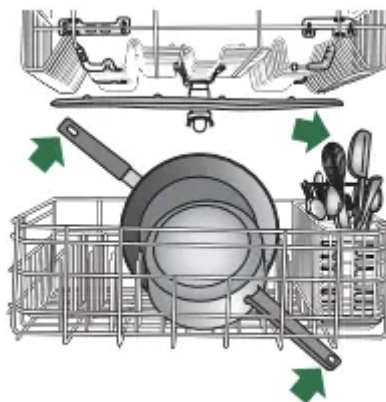
## NOTES:

- The AnyWare™ Silverware Basket can sit in the door or on the outside front of the lower rack for completely usable rack space, letting you fit more items in the rack. It can also go in your lower rack to fit your needs.
- Silverware basket may vary by model.
- If your silverware does not fit into the designated slots, lift and slide covers off to remove them and mix silverware types to keep them separated.
- When loading silverware, always place sharp items pointing down and avoid “nesting” as shown.



## 2. Check that all arms spin freely

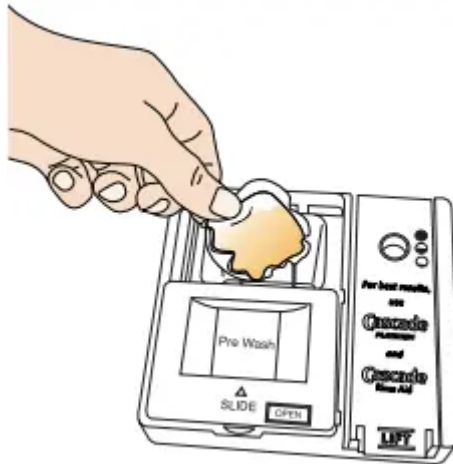
Items in the rack can block the spray arms.



### 3. Add detergent

#### Premeasured Detergents

High-quality premeasured tablets and packs are recommended for improved performance. Quality tablets and packs have been proven better than powder, liquid, or gel detergents at reducing filming on dishes. Using tablets and packs over time will start to reduce or eliminate white film. They are suitable for all water hardness and soil levels. Also, by using a rinse aid, you can minimize repeat buildup of white film (not all packs and tablets contain rinse aid). Always place premeasured detergents in main compartment and close lid.



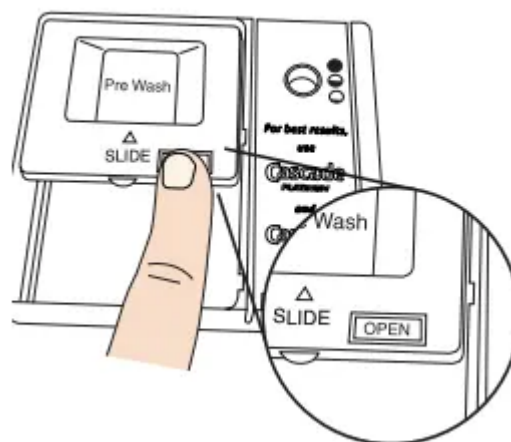
**NOTE:** Follow instructions on the package when using other dishwasher detergent types. See the complete owners manual for more details about powders, liquids, and gels.

- Use automatic dishwasher detergent only. Add detergent just before starting a cycle.
- Fresh automatic dishwasher detergent results in better cleaning. Store tightly closed detergent container in a cool, dry place.

#### To close lid



#### To open lid

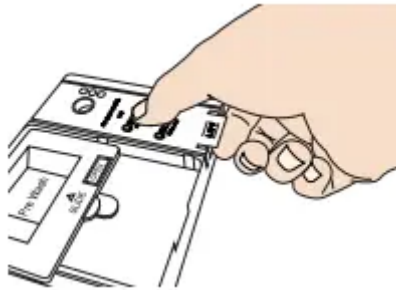


Place selected detergent in the dispenser. Place finger, as shown, and slide lid closed. Press firmly until it clicks.

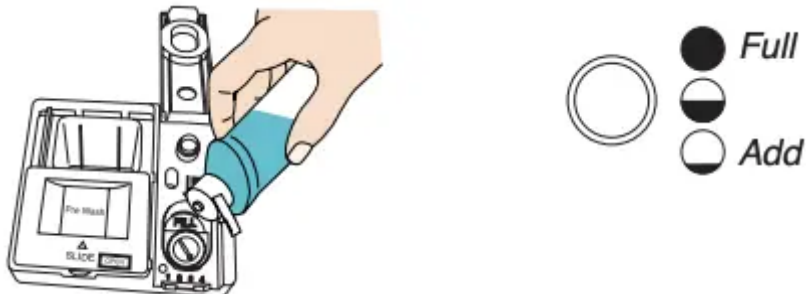
Push OPEN, as shown, and the lid will slide open.

#### 4. Add rinse aid

- Your dishwasher is designed to use rinse aid for good drying performance. Without rinse aid, your dishes and dishwasher interior will have excessive moisture. The heating and drying options will not perform as well without rinse aid.
- Rinse aid keeps water from forming droplets that can dry as spots or streaks. It also improves drying by allowing water to drain off of dishes after final rinse. Rinse aid does not adhere to dishware, and when used, it is dispensed during each cycle.
- To add rinse aid, open the dispenser lid by gently pushing in the center of the lid with your thumb while lifting up on the edge.



- Pour rinse aid into the opening until the indicator level shows that it is full.



- Close dispenser by pushing down gently on the lid. NOTE: For most water conditions, the factory setting will give good results.

If you are experiencing poor drying performance, you may want to try a higher setting. Turn the arrow adjuster to a higher number to increase the amount of rinse aid.



## 5. Select a cycle

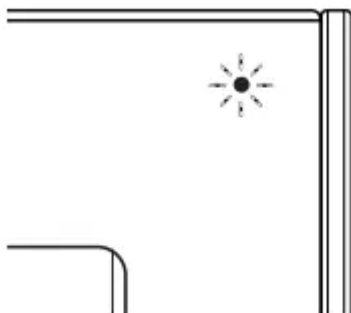
Efficient dishwashers run longer to save water and energy, just as driving a car slower saves on gas. Typical cycle time is approximately 2 1/2 hours but can take less or more time to complete depending on selections.

## 6. Select options

You can customize your cycles by pressing the options desired. If you change your mind, press the option again to turn off the option. Not all options are available for every cycle. If an invalid option is selected for a given cycle, the lights will flash. Adding options may increase the cycle time.

## 7. Follow the progress of your dishwasher

The indicator LED on the front right corner of the door panel will glow blue for washing/ rinsing, red for drying, and white for complete. Some models indicate cycle progress with LEDs on the control panel such as Add Dish, Washing, Drying, Clean, and Sanitized.



## 8. Start or resume a cycle


**NOTE:** If needed, run hot water at the sink nearest your dishwasher until the water is hot. Turn off water. Push door firmly closed within 4 seconds of pressing Start. If door is not closed within 4 seconds, the Start button LED will flash, an audible tone will be heard, and cycle will not start.

**IMPORTANT:** If the door is opened for any reason after the cycle is started (even during the Delay option), the Start button must be pressed again.

## CYCLE GUIDE

This information covers several different models. Your dishwasher may not have all of the cycles and options described.

**IMPORTANT:** The sensor in your dishwasher monitors the soil level. Cycle time and/or water usage can vary as the sensor adjusts the cycle for the best wash performance. If the incoming water is less than the recommended temperature or food soils are heavy, the cycle will automatically compensate by adding time, heat, and water as needed.

CYCLES		ESTIMATED WASH TIME W/O OPTIONS	WATER USAGE GALLONS (LITERS)
<ul style="list-style-type: none"> <li>■ Sensor</li> </ul>	<p>This cycle senses the load size, soil amount, and toughness of soil, to adjust the cycle for improved cleaning, using only the amount of water and energy needed. The Sensor cycle is automatically selected if you first press the Start button.*</p>	2:10 to 3:15	3.38 to 7.4 (12.8 to 28.0)
<ul style="list-style-type: none"> <li>■ Heavy</li> </ul>	<p>Use for hard-to-clean, heavily soiled pots, pans, casseroles, and regular tableware.</p>	2:45 to 3:25	7.4 (28.0)
<ul style="list-style-type: none"> <li>■ Normal</li> </ul>	<p>This cycle is recommended for daily, regular, or typical use to completely wash and dry a full load of normally soiled dishes. This dishwasher's government energy certifications were based on the Normal cycle with only the Heated Dry option selected.**</p>	2:00 to 3:10	2.4 to 7.4 (9.09 to 28.0)
<ul style="list-style-type: none"> <li>■ 1-Hour Wash</li> </ul>	<p>For fast results, the 1-Hour Wash will clean dishes using slightly more water and energy. For improved drying, select the Heat Dry option.</p> <p><b>NOTE:</b> Some detergents are not recommended for short wash cycles, please refer to your detergent packaging for more information.</p>	0:55 to 1:05	7.87 (29.8)
<ul style="list-style-type: none"> <li>■ Soak &amp; Clean</li> </ul>	<p>This cycle quietly soaks dishes with an extended prewash which eliminates the need to presoak dishes, saving personal time and effort. For optimal cleaning results during the Soak &amp; Clean cycle, add prewash detergent. Use this cycle for loads with heavy amounts of dried-on or hard to clean baked-on food.</p>	6:45 to 7:25	7.4 (28.0)
<ul style="list-style-type: none"> <li>■ Download &amp; Go</li> <li>■ Remote Enable  Hold 3 sec (on some models)</li> </ul>	<p>This is a specialty cycle that you select from the Whirlpool® app and download to your dishwasher. Your dishwasher remembers this</p>	Variable	Variable up to 7.87 (29.8)



	cycle until you replace it by downloading another cycle from the Whirlpool® app.		
--	--	--	--

\*The government energy certifications are not based on this cycle. See the Normal cycle description for the government energy certification cycle. Using the Sensor cycle may increase your energy usage.

\*\*No other washing and drying temperature options were selected, and it was not subject to truncated testing. Rinse aid was not used, and there was no detergent used in the prewash.




	OPTIONS	CAN BE SELECTED WITH	WHAT IT DOES	ADDED TIME TO CYCLE	ADDED WATER GALLONS (LITERS)
<p>1-1219 Delay</p> <p>2-6-170 Delay (Sensor by model)</p>	<p>Delay displays how many hours before the cycle will begin.</p> <p><b>To delay the start:</b></p> <ol style="list-style-type: none"> <li>1. Select a wash cycle and options.</li> <li>2. Press DELAY. Each time you press Delay, it will display the next available delay time.</li> <li>3. Press START to begin the delay countdown.</li> </ol> <p><b>NOTE:</b> If the door is opened, such as to add a dish, the Start button must be pressed to resume the delay countdown.</p>	<p><b>Available with any cycle</b></p>	<p>Delays start of a cycle up to 24 hours (on some models).</p>		
<p>1-1219 Sensor</p>	<p>Raises the main wash temperature to improve cleaning for loads containing tough, baked-on food.</p>	<p><b>Sensor</b> <b>Heavy</b> <b>Normal</b> <b>Soak &amp;</b> <b>Clean</b></p>	<p>Raises the main wash temperature to 135°F (57°C).</p>	<p>0:05 to 0:13</p>	<p>0 – 3.9 (0 – 14.6)</p>



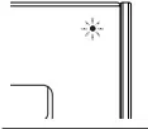



<ul style="list-style-type: none"> <li>• Heat Dry</li> </ul>	<p>Dries dishes with heat. This option, with the use of rinse aid, will provide the best drying results. Plastic items are less likely to deform when loaded in the top rack. Use Heat Dry for optimum drying performance. For air dry, both Heat Dry and Extended Dry LEDs are off.</p>	<p><b>Sensor</b> <b>Heavy</b> <b>Normal 1-Hour Wash</b> <b>Soak &amp; Clean</b></p>	<p>Uses a heating element to speed drying times. Heat Dry option defaults to On when any cycle is selected, except for 1-Hour Wash.</p>		
<ul style="list-style-type: none"> <li>• Extended Dry</li> </ul>	<p>Uses heat and additional time to dry dishes. For the very best drying performance, use rinse aid and the Extended Dry option.</p>	<p><b>Sensor</b> <b>Heavy</b> <b>Normal 1-Hour Wash</b> <b>Soak &amp; Clean</b></p>			
<ul style="list-style-type: none"> <li>• Sanitize</li> <li>• Rinse</li> <li>• Wash</li> </ul>	<p>Sanitizes dishes and glassware in accordance with NSF International NSF/ANSI Standard 184 for Residential Dishwashers. Certified residential dishwashers are not intended for licensed food establishments. Only sanitizing cycles have been designed to meet the requirements of the NSF/ANSI 184 performance standard for soil removal and for sanitization</p>	<p><b>Sensor</b> <b>Heavy</b> <b>Normal</b></p>	<p>Raises the main wash temperature to 135°F (57°C) and the final rinse temperature to 156°F (69°C).</p>	<p>0:05 to 1:06</p>	<p>0 – 3.9 (0 – 14.6)</p>



	<p>efficacy. There is no intention, either directly or indirectly, that all cycles on a NSF/ANSI 184 certified dishwasher meet the NSF/ANSI 184 performance standard for soil removal and for sanitization efficacy.</p> <p>The Sani Rinse indicator glows at the end of the cycle if the Sani Rinse option was successfully completed. If the indicator does not activate, it is probably due to the cycle being interrupted.</p>				
	<p>Use the Control Lock option to avoid unintended use of dishwasher between cycles, or cycle and option changes during a cycle.</p> <p>To turn on Control Lock, press and hold CONTROL LOCK for 3 seconds. Control Lock light will stay on for a short time, indicating that it is activated. When the Lock indicator is lit, all buttons are disabled. If you press any button while your dishwasher is locked, the light flashes 3 times. The dishwasher door can still be opened/closed while the controls are locked.</p> <p>To turn off Control Lock, press and hold CONTROL LOCK for 3 seconds. Control Lock light turns off.</p>				



Control	Purpose	Comments
	Press to start or resume a wash cycle.	If the door is opened during a cycle or the power is interrupted, the Start/Resume button LED flashes. Cycle will not resume until Start is pressed and door is closed. Push door firmly closed within 4 seconds of pressing Start.
	Press to cancel wash cycle.	Close the door firmly. Press and hold CANCEL-DRAIN for 3 seconds. The dishwasher starts a 2-minute drain (if needed). Let dishwasher drain completely.
	To follow progress of your dishwasher cycle.	The indicator LED on the front right corner of the door panel glows white when a cycle is finished. If you select the Sani Rinse option, when the cycle is finished, the Sanitized indicator on the control panel glows. If your dishwasher did not properly sanitize your dishes, the Sanitized indicator flashes at the end of the cycle. This can happen if the cycle is interrupted or if water could not be heated to required temperature. The light goes off when you open and close door or press CANCEL.
Affresh  (on some models)	The affresh® LED lights up to recommend that you run a cycle using an affresh® dishwasher cleansing tablet.	affresh® tablets are recommended monthly for the removal and prevention of hard water filming.

## DISHWASHER CARE

### Cleaning the Exterior

Clean the exterior of dishwasher with a soft, damp cloth and mild detergent. If your dishwasher has a stainless steel exterior, a stainless steel cleaner, such as affresh®† Stainless Steel Cleaner is recommended. Avoid using abrasive cleaning products on the exterior of the dishwasher.

## Cleaning and Maintaining the Interior

Many detergents may leave white spots or a white residue on dishware and on the interior of the dishwasher. Over time this residue can become unsightly and could affect dishwasher performance. Use of a dishwasher cleaning product such as affresh® Dishwasher Cleaner can help to remove the residue. Monthly use of affresh® Dishwasher Cleaner is recommended to help maintain the dishwasher. Follow package directions.

**NOTE:** Whirlpool recommends the use of high-quality, premeasured detergent tablets or packs and the use of rinse aid for dishwasher cleaning and daily care.

affresh is a registered trademark of Whirlpool, U.S.A.

If you have a drain air gap, check and clean it if the dishwasher isn't draining well.

## To Reduce Risk of Property Damage During Vacation or Extended Time Without Use:

- When you will not be using the dishwasher during the summer months, turn off the water and power supply to the dishwasher.
- Make sure the water supply lines are protected against freezing conditions. Ice formations in the supply lines can increase water pressure and cause damage to your dishwasher or home. Damage from freezing is not covered by the warranty.
- When storing your dishwasher in the winter, avoid water damage by having your dishwasher winterized by authorized service personnel.



## TROUBLESHOOTING

First try the solutions suggested here. If you need further assistance or more recommendations that may help you to avoid a service call, refer to the warranty page in this manual and scan the code with your mobile device.

If you experience	Recommended solutions
<p><b>Dishwasher does not run or stops during a cycle</b></p>	<p>It is normal for certain cycles to repeatedly pause for several seconds during the main wash. Is the door closed tightly and latched?</p> <p>Is the right cycle selected?</p> <p>Is there power to the dishwasher? Has a household fuse blown or has a circuit breaker tripped? Replace the fuse or reset the circuit breaker. If the problem continues, call an electrician.</p> <p>Has the motor stopped due to an overload? The motor automatically resets itself within a few minutes. If it does not restart, call for service.</p> <p>Is the water shut-off valve (if installed) turned on?</p>
<p><b>The Clean indicator is flashing</b></p>	<p>Check the following:</p> <ul style="list-style-type: none"> <li>■ Is the overflow protection float able to move up and down freely? Press down to release.</li> <li>■ Be sure the water supply is turned on to the dishwasher. (This is very important following the new installation of your dishwasher.)</li> <li>■ Check for suds in the dishwasher. If foam or suds are detected by the dishwasher sensing system, the dishwasher may not operate properly or may not fill with water. Suds can come from: <ul style="list-style-type: none"> <li>■ Using the incorrect type of detergent, such as laundry detergent, hand soap, or dish detergent, for hand washing dishes.</li> <li>■ Forgetting to replace the rinse aid dispenser cap after filling (or refilling) the rinse aid.</li> <li>■ Using an excessive amount of dishwasher detergent.</li> </ul> </li> </ul>
<p><b>Dishes do not dry completely</b></p>	<p><b>NOTE:</b> Plastic and items with nonstick surfaces are difficult to dry because they have a porous surface which tends to collect water droplets. Towel drying may be necessary.</p> <p>Use of rinse aid along with the Heat Dry option is needed for proper drying.</p> <p>Proper loading of items can affect drying.</p>



	<p>Glasses and cups with concave bottoms hold water. This water may spill onto other items when you are unloading the dishwasher.</p> <ul style="list-style-type: none"> <li>■ Unload the bottom rack first.</li> <li>■ For improved results, place these items on the more slanted side of the rack</li> </ul>
<p><b>Noise</b></p>	<p><b>NOTE:</b> Common noises:</p> <ul style="list-style-type: none"> <li>■ Surging sounds can occur periodically throughout the cycle while the dishwasher is draining.</li> <li>■ Normal water valve hissing may be heard periodically.</li> <li>■ A normal snap sound may be heard when the detergent dispenser opens during the cycle or when the door is opened at the end of the cycle.</li> <li>■ Improper installation will affect noise levels.</li> </ul> <p>Be sure the filters are properly installed.</p> <p>A thumping sound may be heard if items extend beyond the racks and interfere with the wash arms. Readjust the dishware and resume the cycle.</p>
<p><b>Spotting/Filming</b></p>	<p>Liquid rinse aid is necessary for drying and to reduce spotting. Use the correct amount of detergent.</p> <p>Confirm that the cloudiness is removable by soaking the item in white vinegar for 5 minutes. If the cloudiness disappears, it is due to hard water. Adjust the amount of detergent and rinse aid. See the “Dishwasher Care” section. If it does not come clear, it is due to etching.</p> <p>Be sure the incoming water temperature is set at 120°F (49°C).</p> <p>Try using the Hi-Temp Wash or Sani Rinse options.</p> <p>To remove spotting, run a vinegar rinse through the dishwasher.</p> <ul style="list-style-type: none"> <li>• Wash and rinse the affected dishware and load into dishwasher. Remove all silverware and metal items. Put 2 cups (500 mL) of white vinegar in a glass measuring cup in the lower rack. Run a Normal cycle with the Heat Dry option turned off. No detergent is</li> </ul>



	<p>needed. See “Dishwasher Care” section in full User Instructions.</p>
<p><b>Dishwasher does not clean completely</b></p>	<p>Be sure the dishwasher is loaded correctly. Improper loading can greatly decrease the washing performance.</p> <p>See the “Operating Your Dishwasher” section.</p> <p>Check filter to ensure it is properly installed. Clean it if needed. See the “Filtration System” section in the full User Instructions for details.</p> <p>Select the proper cycle for the type of soils. The Sensor or Heavy wash cycles can be used for tougher loads.</p> <p>Be sure the incoming water temperature is at least 120°F (49°C).</p> <p>Use the proper amount of fresh detergent. More detergent is needed for heavier-soiled loads and hard water conditions.</p> <p>Scrape food from dishes prior to loading (do not prerinse).</p> <p>If foam or suds are detected by the dishwasher sensing system, the dishwasher may not operate properly or may not fill with water.</p> <p>Suds can come from:</p> <ul style="list-style-type: none"> <li>■ Using the incorrect type of detergent, such laundry detergent, hand soap, or dish detergent, for hand washing dishes.</li> <li>■ Not replacing the rinse aid dispenser cap after filling (or refilling) the rinse aid dispenser.</li> <li>■ Using an excessive amount of dishwasher detergent.</li> </ul>
<p><b>Dishwasher does not drain</b></p>	<p>Be sure the cycle has been completed (the Clean light is on). If it has not, you will need to resume the cycle by closing the door and pressing Start.</p> <p>If dishwasher is connected to a food waste disposer, be sure the knockout plug has been removed from the disposer inlet.</p> <p>Check for kinks in the drain hose.</p> <p>Check for food obstructions in the drain or disposer.</p> <p>Check your house fuse or circuit breaker.</p>



**Warning**

This content is compiled from multiple sources and is provided for reference purposes only. It may not be complete or fully applicable to all situations. If you are unable to resolve your issue, please contact the product manufacturer or an authorized service provider for official support.

---

Document generated by [ManualsFile](#)