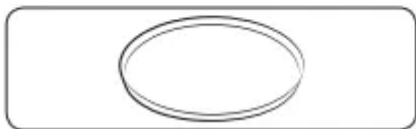
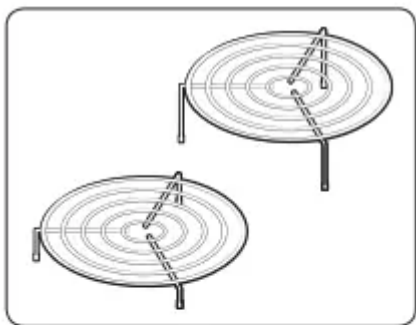
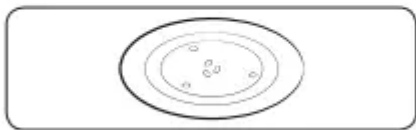
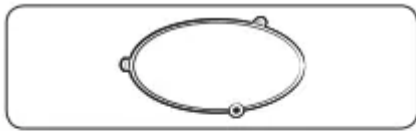


## Installation

### Accessories



Depending on the model that you have purchased, you are supplied with several accessories that can be used in a variety of ways.

**01 Roller ring**, to be placed in the centre of the oven.

**Purpose:** The roller ring supports the turntable.

**02 Turntable**, to be placed on the roller ring with the centre fitting on to the coupler.

**Purpose:** The turntable serves as the main cooking surface; it can be easily removed for cleaning.

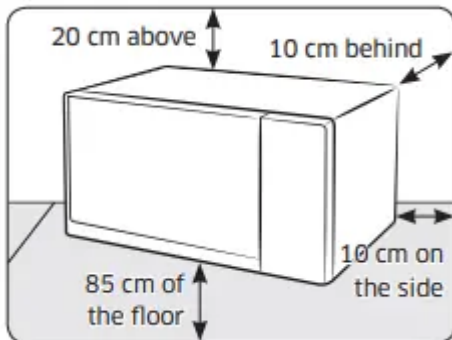
**03 High rack**, Low rack, to be placed on the turntable.

**Purpose:** The metal racks can be used to cook two dishes at the same time. A small dish may be placed on the turntable and a second dish on the rack. The metal racks can be used in grill, power convection and combination cooking.

**04 Crusty plate**, see page 25.

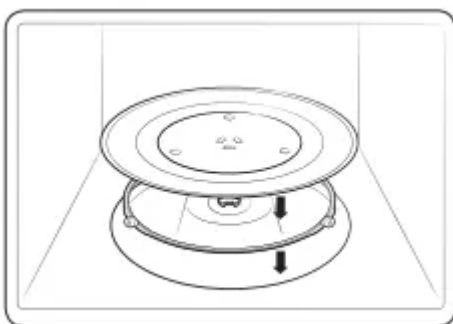
**Purpose:** The crusty plate is used to brown food better in the microwave or grill combination cooking modes. It helps keep pastry and pizza dough crisp

## Installation site



- Select a flat, level surface approx. 85 cm above the floor. The surface must support the weight of the oven.
- Secure room for ventilation, at least 10 cm from the rear wall and both sides, and 20 cm from above.
- Do not install the oven in hot or damp surroundings, such as next to other microwave ovens or radiators.
- Conform to the power supply specifications of this oven. Use only approved extension cables if you need to use.
- Wipe the interior and the door seal with a damp cloth before using your oven for the first time.

## Turntable



Remove all packing materials inside the oven. Install the roller ring and turntable. Check that the turntable rotates freely

## Maintenance

### Cleaning

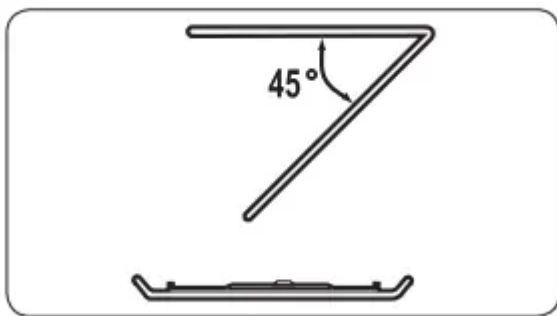
Clean the oven regularly to prevent impurities from building up on or inside the oven. Also pay special attention to the door, door sealing, and turntable and roller ring (applicable models only).

If the door won't open or close smoothly, first check if the door seals have built up impurities. Use a soft cloth in soapy water to clean both the inner and outer sides of the oven. Rinse and dry well.

#### To remove stubborn impurities with bad smells from inside the oven

1. With an empty oven, put a cup of diluted lemon juice on the centre of the turntable.
2. Heat the oven for 10 minutes at max power.
3. When the cycle is complete, wait until the oven cools down. Then, open the door and clean the cooking chamber.

#### To clean inside swing-heater models



To clean the upper area of the cooking chamber, lower the top heating element by as shown. This will help clean the upper area. When done, reposition the top heating element.

#### CAUTION

- Keep the door and door sealing clean and ensure the door opens and closes smoothly. Otherwise, the oven's lifecycle may be shortened.
- Take caution not to spill water into the oven vents.
- Do not use any abrasive or chemical substances for cleaning.
- After each use of the oven, use a mild detergent to clean the cooking chamber after waiting for the oven to cool down.

### Replacement (repair)

#### WARNING

This oven has no user-removable parts inside. Do not try to replace or repair the oven yourself.

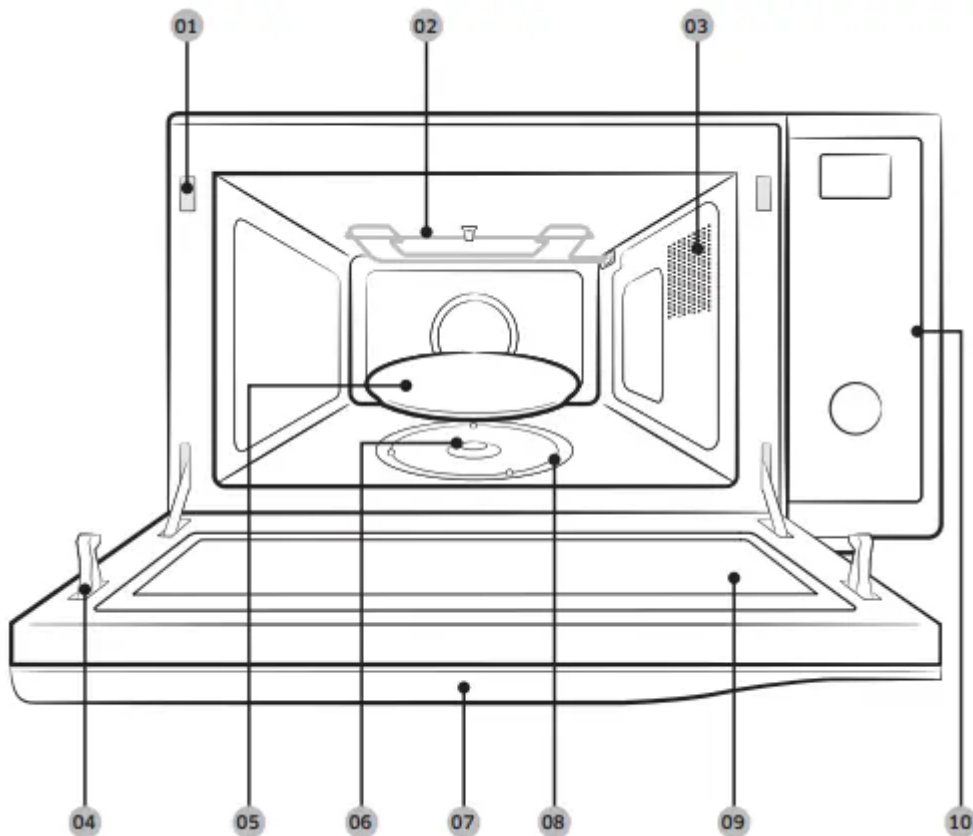
- If you encounter a problem with hinges, sealing, and/or the door, contact a qualified technician or a local Samsung service centre for technical assistance.
- If you want to replace the light bulb, contact a local Samsung service centre. Do not replace it yourself.
- If you encounter a problem with the outer housing of the oven, first unplug the power cord from the power source, and then contact a local Samsung service centre.

### Care against an extended period of disuse

If you don't use the oven for an extended period of time, unplug the power cord and move the oven to a dry, dust-free location. Dust and moisture that builds up inside the oven may affect the performance of the oven.

## Oven features

### Oven



01 Safety interlock holes

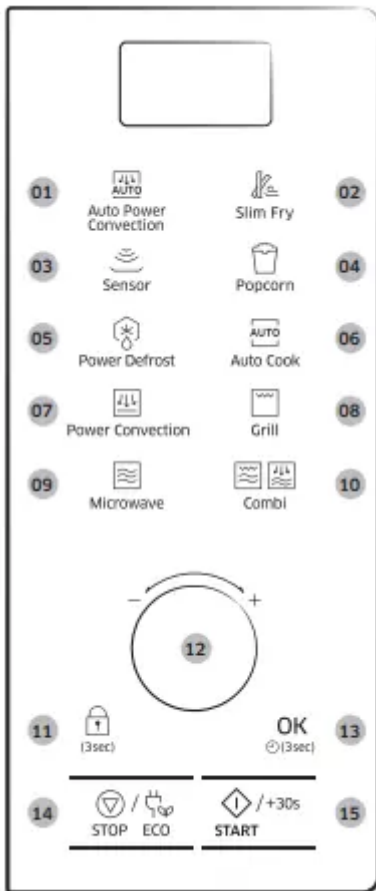
02 Heating element

03 Ventilation holes

04 Door latches

- 05 Turntable
- 06 Coupler
- 07 Door handle
- 08 Roller ring
- 09 Door
- 10 Control panel

**Control panel**



- 01 Auto Power Convection Button
- 02 Slim Fry Button
- 03 Sensor Button
- 04 Popcorn Button
- 05 Power Defrost Button
- 06 Auto Cook Button
- 07 Power Convection Button
- 08 Grill Button
- 09 Microwave Button
- 10 Combi Button
- 11 Child Lock Button



12 Multi Function Selector Dial

13 OK Button

14 Stop/Eco Button

15 Start/+30s Button

## Oven use

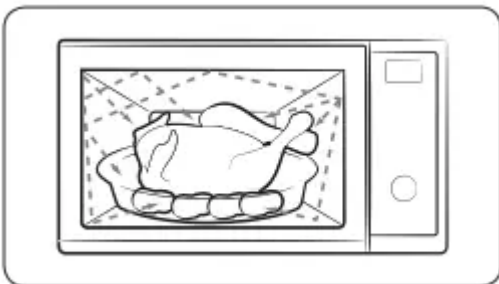
### How a microwave oven works

Microwaves are high-frequency electromagnetic waves; the energy released enables food to be cooked or reheated without changing either the form or the colour.

You can use your microwave oven to:

- Defrost
- Reheat
- Cook

Cooking principle.



1. The microwaves generated by the magnetron reflected at cavity and are distributed uniformly as the food rotates on the turntable. The food is thus cooked evenly.
2. The microwaves are absorbed by the food up to a depth of about 1 inch (2.5 cm). Cooking then continues as the heat is dissipated within the food.
3. Cooking times vary according to the container used and the properties of the food:
  - Quantity and density
  - Water content
  - Initial temperature (refrigerated or not)

### IMPORTANT

As the centre of the food is cooked by heat dissipation, cooking continues even when you have taken the food out of the oven. Standing times specified in recipes and in this booklet must therefore be respected to ensure:

- Even cooking of the food right to the centre.

- The same temperature throughout the food.

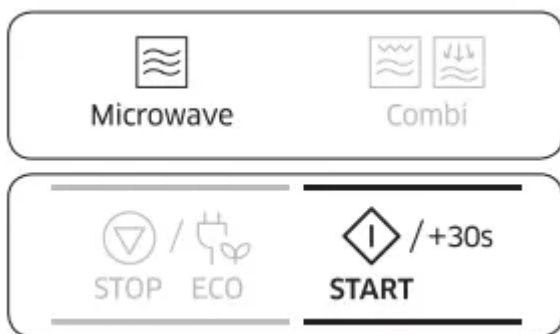
## Checking that your oven is operating correctly

The following simple procedure enables you to check that your oven is working correctly at all times. If you are in doubt, refer to the section entitled “Troubleshooting” on the page 40-43.

### NOTE

The oven must be plugged into an appropriate wall socket. The turntable must be in position in the oven. If a power level other than the maximum (100 % - 1000 W) is used, the water takes longer to boil.

Open the oven door by pulling the handle on the upper side of the door. Place a glass of water on the turntable. Close the door.



Press the Microwave mode and set the time to 4 or 5 minutes by pressing the START/+30s button.

**Result:** The oven heats the water for 4 or 5 minutes. The water should then be boiling.

## Setting the time

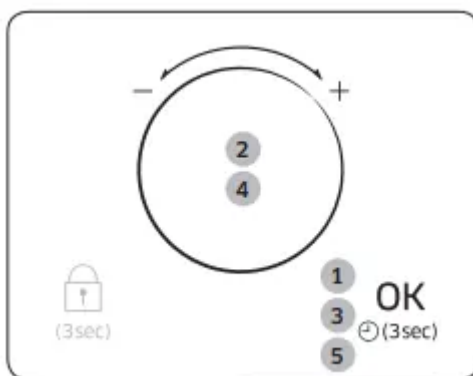
When power is supplied, “88:88” and then “12:00” is automatically displayed on the display.

Please set the current time. The time can be displayed in either the 24-hour or 12- hour notation.

You must set the clock:

- When you first install your microwave oven
  - After a power failure
1. Press the OK button for 3 second.
  2. Turn the Multi Function Selector Dial to set time display type. (12H or 24H)
  3. Press the OK button to complete the setup.
  4. Turn the Multi Function Selector Dial to set the hour.

5.

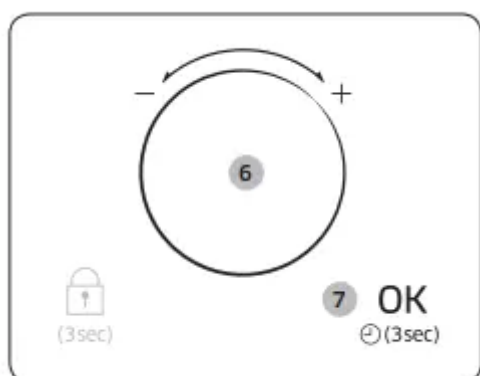


Press the OK button.

6. Turn the Multi Function Selector Dial to set the minute.

7. When the right time is displayed, press the OK button to start the clock.

**Result:** The time is displayed whenever you are not using the microwave oven.



## Power levels and time variations

The power level function enables you to adapt the amount of energy dissipated and thus the time required to cook or reheat your food, according to its type and quantity.

You can choose between ten power levels.

PL:Hi	(High)	PL:50	(Medium)
PL:90	(Sauté)	PL:40	(Medium low)
PL:80	(Reheat)	PL:30	(Low)
PL:70	(Medium high)	PL:20	(Defrost)
PL:60	(Simmer)	PL:10	(Warm)

The cooking times given in recipes and in this booklet correspond to the specific power level indicated.

If you select a...	Then the cooking time must be...
Higher power level	Decreased
Lower power level	Increased

## Adjusting the cooking time

You can increase the cooking time by pressing the START/+30s button once for each 30 seconds to be added.

- Check how cooking is progressing at any time simply by opening the door
- Increase the remaining cooking time



### **Method 1**

To increase the cooking time of your food during cooking, press the START/+30s button once for each 30 seconds that you wish to add.

Example: To add three minutes, press the START/+30s button six times.

### **Method 2**

Just turning Multi Function Selector Dial to adjust cooking time.

To increase cooking time, turn to right and to decrease cooking time, turn to left.

## Auto cook guide

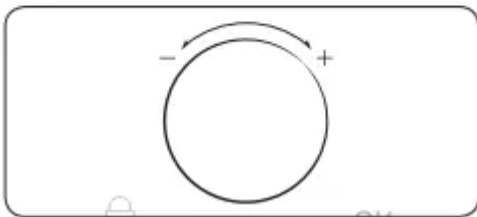
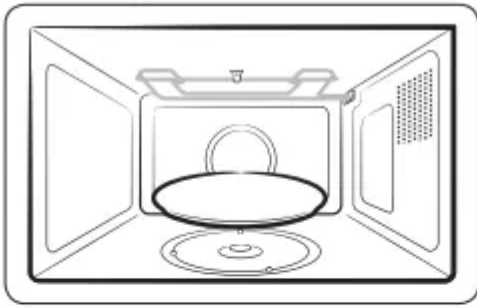
The following table presents quantities and appropriate instructions for auto cook

Code/Food	Amount	Instructions
1 Bacon	1 serving : 2 slices 2 servings : 4 slices 3 servings : 6 slices	Layer 2 paper towels on a microwave safe plate and arrange the bacon on the towels. Do not overlap bacon. Cover with an additional paper towel. Remove the paper towel immediately after cooking.
2 Hot Dogs	1 serving : 2 each 2 servings : 4 each	Pierce the hot dogs 3 times with a fork and place on a microwave safe plate. When the microwave beeps, add the buns and press start to continue
3 Oatmeal	1 serving : 1 pack 2 servings : 2 packs	Follow the package directions for the recommended amount of water needed. Stir well before and afterwards
4 Brownie Mix	1 package	Pour the batter into an 8x8 inch microwave safe pan, then place the pan on the low rack
5 Cookie Dough	8-10 ea. (1 oz./each)	Place cookies on the crusty plate, then place the tray on the low rack. When the microwave beeps, put the cookies
6 Nachos	1 serving	Arrange the tortilla chips uniformly on a microwave safe plate, then place the plate on the high rack. Sprinkle evenly with cheese.  <b>Contents :</b> - 2 cups tortilla chips - 1/3 cup grated cheese
7 Frozen Soft Pretzels	1 serving : 2 ea. 2 servings : 3 ea.	Place the pretzels on the crusty plate, then place the plate on the high rack.

8 Melt Butter	1 stick (¼ lb.) 2 sticks (½ lb.)	Unwrap the butter and cut the butter stick. Place the butter on a microwave safe dish and cover with wax paper. Stir well afterwards.
9 Soften Butter	1 stick (¼ lb.) 2 sticks (½ lb.)	Remove the butter from the packaging and place on a microwave safe dish.
10 Melt Chocolate	1 cup chips	Place the chocolate chips in a microwave safe dish. When the microwave beeps, stir well and press start to continue. Unless stirred, the chocolate chips will keep their shape even when the heating time is over.
11 Soften Ice Cream	1 serving : 1 pint 2 servings : ½ gallon	Remove the lid of the carton. Place the carton in the center of the microwave.
12 Soften Cream Cheese	1 package (½ lb.)	Unwrap the cream cheese and place on a microwave safe dish
13 Melt Cheese	1 cup	Place the cheese in a microwave safe bowl and cover with wax paper. Stir well afterwards.
14 Melt Marshmallows	5 oz.	Place the marshmallows in a large microwave safe dish. Stir well afterwards.

### Using the crusty plate

This crusty plate allows you to brown food not only on the top with the grill, but also the bottom of the food turns crispy and brown due to the high temperature of the crusty plate. Several items which you can prepare on the crusty plate can be found in the chart (see next page). The crusty plate can also be used for bacon, eggs, sausages, etc.



1. Place the crusty plate directly on the turntable and preheat it with highest
2. Microwave-Grill-Combination [600 W + Grill] by following the times and instructions in the chart.
3. Brush the plate with oil if you are cooking food, such as bacon and eggs, in order to brown the food nicely.
4. Place the food on the crusty plate.
5. Place the crusty plate on the metal rack (or turntable) in the microwave.
6. Select the appropriate cooking time and power.

## Troubleshooting and Information code

### Troubleshooting

If you have any of the problems listed below try the solutions given

#### **The buttons cannot be pressed properly**

Foreign matter may be caught between the buttons.

- Remove the foreign matter and try again.

For touch models: Moisture is on the exterior.

- Wipe the moisture from the exterior.

Child lock is activated.

- Deactivate Child lock.

### **The time is not displayed.**

The Eco (power-saving) function is set.

- Turn off the Eco function.

### **The oven does not work.**

Power is not supplied.

- Make sure power is supplied.

The door is open.

- Close the door and try again.

The door open safety mechanisms are covered by foreign matter.

- Remove the foreign matter and try again.

### **The oven stops while in operation.**

The user has opened the door to turn food over.

- After turning over the food, press the START button again to start operation.

### **The power turns off during operation.**

The oven has been cooking for an extended period of time.

- After the oven has cooked for an extended period of time, let the oven cool.

The cooling fan is not working.

- Listen for the sound of the cooling fan.

Trying to operate the oven without food inside.

- Put food in the oven.

There is not sufficient ventilation space for the oven.

- There are intake/exhaust outlets on the front and rear of the oven for ventilation. C
- Keep the gaps specified in the product installation guide

Several appliances or devices are plugged into the same outlet.

- Designate only one socket to be used for the oven.

### **There is a popping sound during operation, and the oven doesn't work.**

Cooking food in a sealed container or using a container with a tight lid may cause popping sounds.

- Do not use sealed containers as they may burst during cooking due to expansion of the contents.

### **The oven exterior gets too hot during operation.**

There is not enough ventilation space around the oven.

- There are intake/exhaust outlets on the front and rear of the oven for ventilation. Keep the gaps specified in the product installation guide.

Objects are on top of the oven.

- Remove all objects on the top of the oven.

**The door cannot be opened properly.**

Food residue is stuck between the door and oven interior.

- Clean the oven and then open the door.

**Heating including the Warm function does not work properly.**

- The oven may not work, too much food is being cooked, or improper cookware is being used.
  - Put one cup of water in a microwave-safe container and run the microwave for 1-2 minutes to check whether the water is heated. Reduce the amount of food and start the function again. Use a cooking container with a flat bottom

**The thaw function does not work.**

Too much food is being cooked

- Reduce the amount of food and start the function again.

**The interior light is dim or does not turn on.**

The door has been left open for a long time.

- The interior light may automatically turn off when the Eco function operates. Close and reopen the door or press the CANCEL button.

The interior light is covered by foreign matter.

- Clean the inside of the oven and check again.

**A beeping sound occurs during cooking.**

If the Auto Cook function is being used, this beeping sound means it's time to turn over the food.

- After turning over the food, press the START button again to restart operation.

**The oven is not level.**

The oven is installed on an uneven surface.

- Make sure the oven is installed on flat, stable surface.

**There are sparks during cooking.**

Metal containers are used during cooking or thawing.

- Do not use metal containers.

**When power is connected, the oven immediately starts to work.**

The door is not properly closed.

- Close the door and check again.

**There is electricity coming from the oven.**

The power source or power outlet is not properly grounded.

- Make sure the power source and power outlet are properly grounded.

**1. Water drips.**

**2. Steam emits through a door crack.**

**3. Water remains in the oven.**

- There may be water or steam in some cases depending on the food. This is not an oven malfunction.
  - Let the oven cool and then wipe with a dry dish towel.

**The brightness inside the oven varies.**

Brightness changes depending on power output changes according to function.

- Power output changes during cooking are not malfunctions. This is not an oven malfunction.

**Cooking is finished, but the cooling fan is still running.**

To ventilate the oven, the cooling fan continues to run for about 3 minutes after cooking is complete.

- This is not an oven malfunction.

**Turntable**

**While turning, the turntable comes out of place or stops turning.**

There is no roller ring, or the roller ring is not properly in place.

- Install the roller ring and then try again.

**The turn table drags while turning.**

The roller ring is not properly in place, there is too much food, or the container is too large and touches the inside of the microwave.

- Adjust the amount of food. Do not use containers that are too large.

**The turn table rattles while turning and is noisy.**

Food residue is stuck to the bottom of the oven.

- Remove any food residue stuck to the bottom of the oven.

## Grill

### **Smoke comes out during operation.**

During initial operation, smoke may come from the heating elements when you first use the oven.

- This is not a malfunction. After you run the oven 2-3 times, it should stop.

Food is on the heating elements.

- Let the oven cool and then remove the food from the heating elements.

Food is too close to the grill.

- Put the food a suitable distance away while cooking.

Food is not properly prepared and/or arranged.

- Make sure food is properly prepared and arranged.

## Oven

### **The oven does not heat.**

The door is open. Close the door and try again.

- Smoke comes out during preheating.

### **Smoke comes out during preheating.**

During initial operation, smoke may come from the heating elements when you first use the oven.

- This is not a malfunction. After you run the oven 2-3 times, it should stop.

Food is on the heating elements.

- Let the oven cool and then remove the food from the heating elements.

### **There is a burning smell or a burnt plastic smell when using the oven.**

Plastic or non-heat resistant cookware is used.

- Use glass cookware suitable for high temperatures.

### **There is a bad smell coming from inside the oven.**

Food residue or plastic has melted and stuck to the interior.

- Use the steam function and then wipe the interior of the microwave with a dry cloth. You can put a measuring cup containing a cup of water and a lemon slice inside and run the oven to remove the odor more quickly.

### **The oven does not cook properly.**

The oven door is frequently opened during cooking.

- Do not open the door frequently unless you are cooking things that need to be turned. If you open the door often, the interior temperature will be lowered and this may affect the results of your cooking.

The oven controls are not correctly set.

- Set the oven controls correctly and try again.

The grill or other accessories are not correctly inserted.

- Insert the accessories correctly.

The wrong type or size of cookware is used.

- Reset the oven controls or use suitable cookware with flat bottoms.

## Information codes

Code	Description	Action
C-10	Cooking sensor is needed to check.	Press the Stop/Cancel button and operate again. If it occurs again, turn off the microwave oven over 30 seconds and try setting again. If it appears again, call your local SAMSUNG Customer Care Centre.
C-20	Temperature sensor is needed to check.	
C-21	Temperature sensor detect higher temperature than setting temperature.	Turn off the microwave oven for cooling the product and then try setting again.  If it appears again, call your local SAMSUNG Customer Care Centre
C-d0	Control buttons are pressed over 10 seconds.	Clean the keys and check if there is water on the surface around key. If it occurs again, turn off the microwave oven over 30 seconds and try setting again. If it appears again, call your local SAMSUNG Customer Care Centre.

### Warning

This content is compiled from multiple sources and is provided for reference purposes only. It may not be complete or fully applicable to all situations. If you are unable to resolve your issue, please contact the product manufacturer or an authorized service provider for official support.

