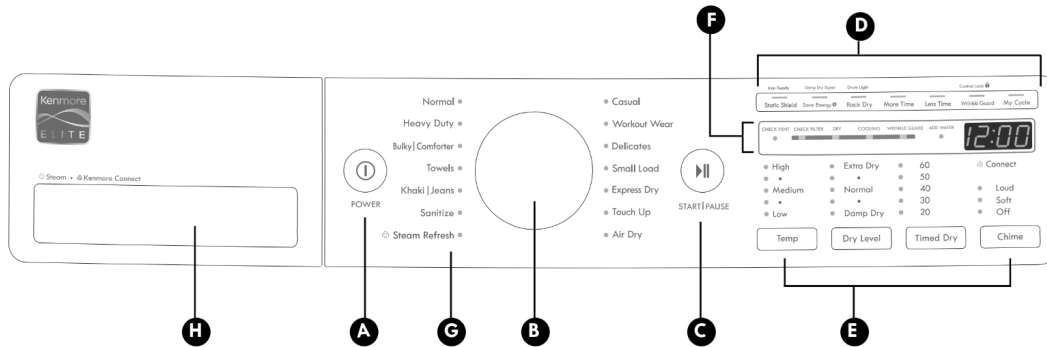


HOW TO USE

CONTROL PANEL FEATURES



A. POWER (ON/OFF) BUTTON

Press to turn the dryer ON or OFF. Pressing the POWER button during a cycle will cancel that cycle and any settings will be lost.

B. CYCLE SELECTOR KNOB

The cycle selector knob is used to select the desired dry cycle by rotating the knob in either direction until the desired cycle LED is illuminated. Once the desired cycle has been selected, the standard presets for that cycle will show in the display. These settings can be adjusted using the cycle modifier or option buttons any time before starting the cycle.

C. START/PAUSE BUTTON

Press this button to start the selected cycle. The dryer will display the estimated time (AUTO DRY) or set time (TIMED DRY) remaining and start tumbling.

To pause the cycle at any time, open the dryer door or press START/PAUSE. To resume the cycle where it was stopped, press START/PAUSE again.

NOTE: If the dryer has been stopped for more than four minutes, the dryer will turn off automatically.

D. OPTION BUTTONS

These buttons allow you to select cycle options. Some of the option buttons have secondary functions. The controls can be locked or unlocked by pressing and holding the WRINKLE GUARD button for five seconds.

E. CYCLE MODIFIER BUTTONS

Use these buttons to adjust the settings for the selected cycle. The settings light up above the buttons to show the current selection. The default temperature setting cannot be changed in AUTO DRY cycles. AUTO DRY cycles are modified using the DRY LEVEL button.

F. TIME AND STATUS DISPLAY

The display shows the estimated time remaining for auto cycles and actual time for timed cycles. The status of the cycle is also displayed. The CHECK VENT indicator will illuminate if there is a serious restriction in the exhaust system.

G. STEAM FUNCTIONS

The STEAM REFRESH cycle uses a swirling jet of steam to refresh clothes. The STATIC SHIELD and IRON READY options are also available for most cycles.

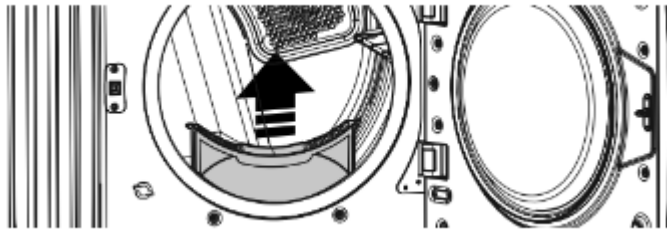
H. STEAM FEEDER

This drawer contains the reservoir for the water used by the dryer to create the steam used for the steam cycle and options. Fill the steam feeder with tap water to take advantage of the power of steam for fresher, static-free fabrics.

OPERATING THE DRYER

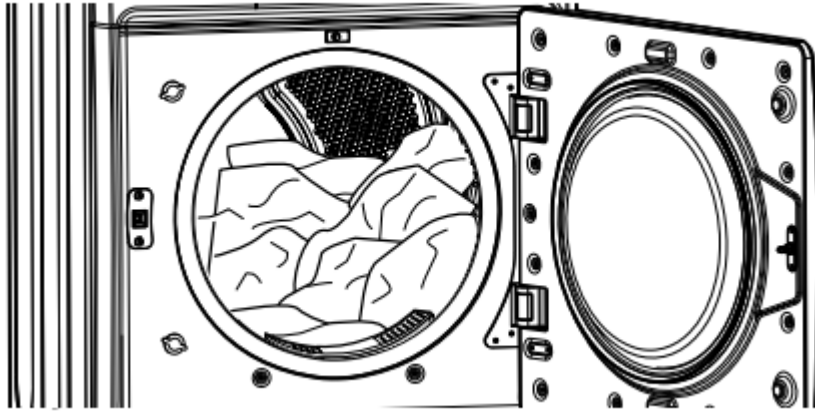
1. CLEAN THE LINT FILTER

If the lint filter has not already been cleaned, lift out the filter and remove the lint from the last load. This will help ensure the fastest and most efficient drying performance.



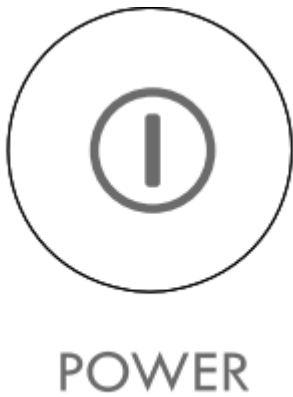
2. LOAD THE DRYER

Load the dryer with the wet laundry from the washer. If the load is extra large, you may need to divide it into smaller loads for proper performance and fabric care.



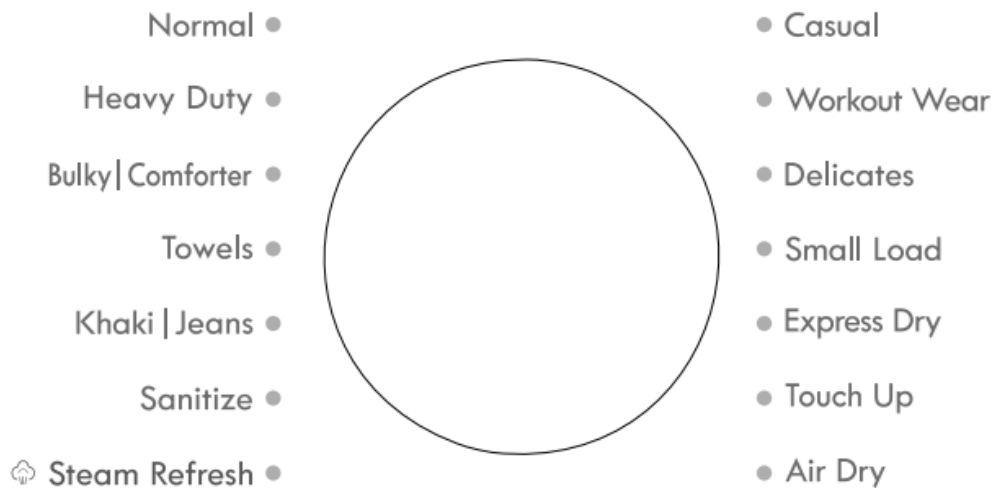
3. TURN ON THE DRYER

Press the POWER button to turn ON the dryer. The cycle LEDs will illuminate and a chime will sound.



4. SELECT A CYCLE

Turn the cycle selector knob in either direction until the LED for the desired cycle is illuminated. The preset temperature, dry level, and option settings for that cycle will display.



5. SELECT CYCLE MODIFIERS

Default settings for the selected cycle can now be changed, if desired.

NOTE: Not all options or modifiers are available with all cycles.

Temperature can only be adjusted on Timed Dry cycles; Dry Level is only available on Auto Dry cycles. A different chime will sound and the LED will not illuminate if the selection is not allowed.



6. SELECT CYCLE OPTIONS

Cycle options can be added using the option buttons.

NOTE: Not all options or modifiers are available with all cycles.

A different chime will sound and the LED will not come on if the selection is not allowed.



7. BEGIN CYCLE

Press the START/PAUSE button to begin the cycle. The cycle can be paused at any time by opening the door or by pressing the START/ PAUSE button. If the cycle is not restarted within four minutes of being paused, the dryer will shut off and the settings will be lost.



START | PAUSE

8. END OF CYCLE

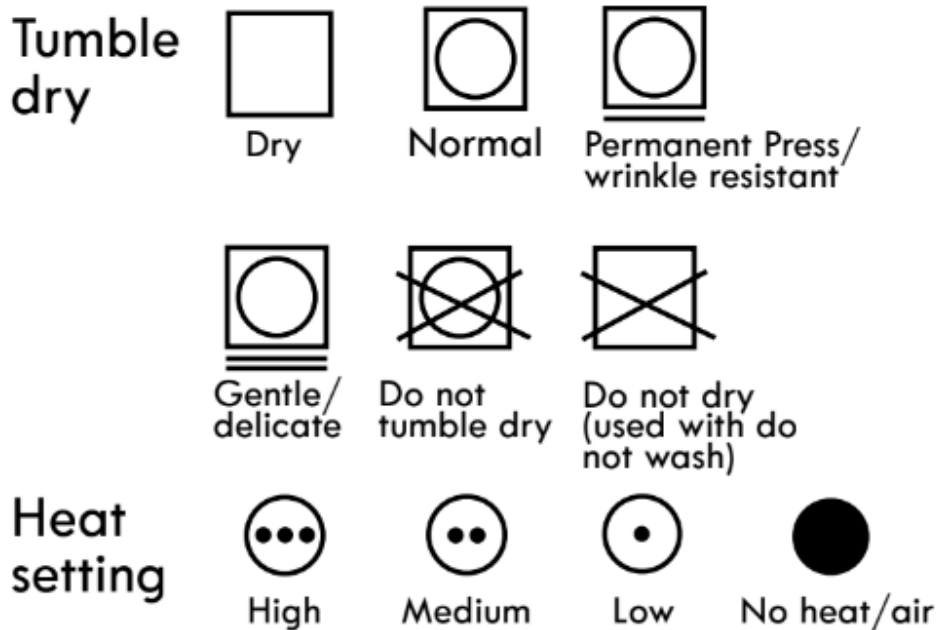
When the cycle is finished, a chime will sound. Immediately remove your clothing from the dryer to reduce wrinkling. If WRINKLE GUARD is selected, the dryer will tumble briefly every few minutes to help prevent wrinkles from setting in the clothes.



SORTING LOADS

Fabric Care Labels

Most articles of clothing feature fabric care labels that include instructions for proper care.



Group Similar Items

For best results, sort clothes into loads that can be dried with the same drying cycle.

Different fabrics have different care requirements, and some fabrics will dry more quickly than others. For best fabric care results, always dry fabrics with similar care requirements together.

LOADING THE DRYER

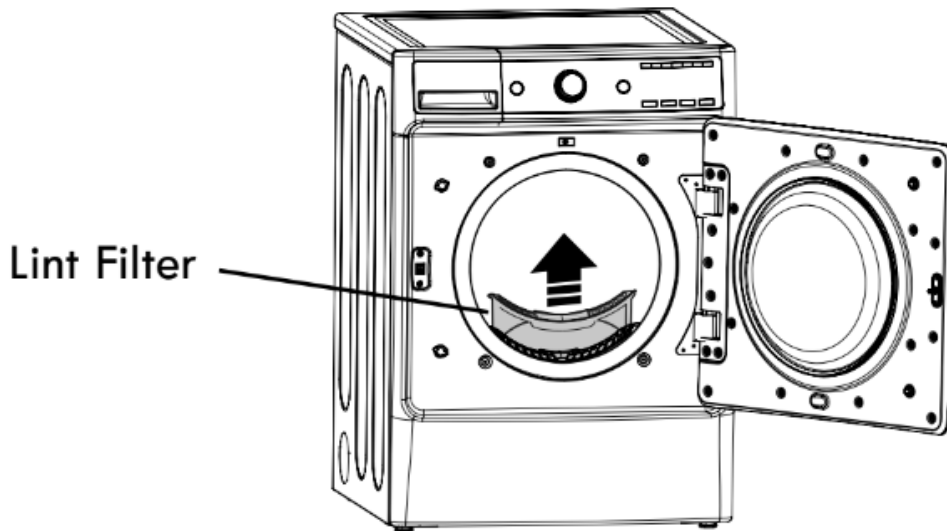
Loading Tips

- Combine large and small items in the same load.
- Damp clothes will expand as they dry. Do not overload the dryer; clothes require room to tumble and dry properly.
- Close zippers, hooks, and drawstrings to prevent these items from snagging or tangling on other clothes.

CHECK THE LINT FILTER BEFORE EVERY LOAD

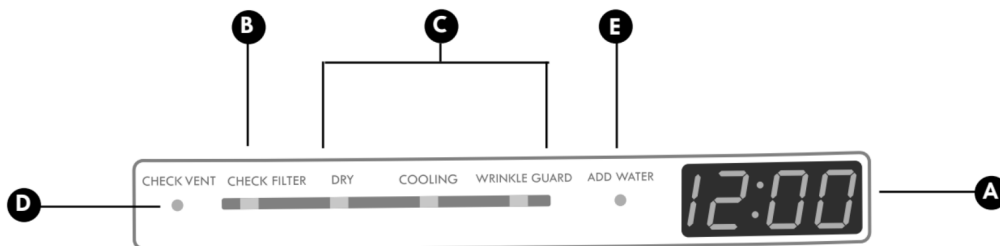
Every time the dryer is turned on, the CHECK FILTER light will blink as a reminder to make sure the filter is clean. Always make sure the lint filter is clean before starting a new load; a clogged lint filter will increase drying times. To clean, pull the lint filter straight up and roll any lint off the filter with your fingers. Do not rinse or wash the filter to remove lint. Push the lint filter firmly back into place.

Always ensure the lint filter is properly installed before running the dryer. Running the dryer with a loose or missing lint filter may damage the dryer and articles in the dryer.



TIME AND STATUS DISPLAY

The Time and Status Display shows the cycle time, cycle progress, and vent status. When the dryer is turned on, the display will illuminate.



A. TIME DISPLAY

When a cycle is selected, the display will indicate the default time for that cycle including selected options or adjustments. In AUTO DRY cycles, the time remaining will be estimated and may change during the cycle, depending on the condition of the load. In TIMED DRY, the time displayed will be the actual time remaining.

B. CHECK FILTER LIGHT

The CHECK FILTER light will blink before each load, as a reminder to check the lint filter. Always clean the lint filter before every cycle.

C. CYCLE STATUS INDICATORS

This portion of the display shows which stage of the drying cycle is currently under way (DRY, COOLING, or WRINKLE GUARD).

D. CHECK VENT INDICATOR

(DUCT BLOCKAGE SENSING SYSTEM)

The CHECK VENT duct blockage sensing system detects and alerts you to blockages in the ductwork that reduce exhaust flow from the dryer. This light does not indicate any problems with your dryer. If this light blinks, it indicates that your home's exhaust system has a serious restriction, which is not covered by your dryer's warranty. Call 1-800-4-MY-HOME® for information regarding duct cleaning services offered through Sears.

E. ADD WATER INDICATOR

If the steam feeder runs low on water, the ADD WATER light will blink and the cycle will cancel. Refill the steam feeder and then restart the cycle.

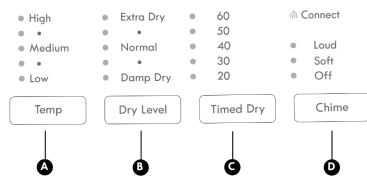
CYCLE MODIFIER BUTTONS

Each cycle has default settings that are selected automatically. You may also customize these settings using the cycle modifier buttons.

AUTO DRY cycles are designed to properly care for specific fabrics and loads. As a result, not all settings are available for each cycle selection.

TIMED DRY cycles have default settings, but you may also customize the temperature setting and add options.

Settings are not limited in most timed dry cycles. Use care when setting options and modifiers for these cycles to prevent damage to your clothing.



A. TEMP

Adjusts the temperature setting from LOW to HIGH. This allows precise care of your fabrics and garments. Press the TEMP button repeatedly to scroll through available settings. Temperature setting is not adjustable in AUTO DRY cycles.

B. DRY LEVEL

Sets the level of dryness for the selected AUTO DRY cycle. Press the DRY LEVEL button repeatedly to scroll through available settings. Use this button to adjust the dryness of the articles in the load to your preference.

- This option is not available with TIMED DRY cycles.
- The dryer will automatically adjust the cycle time. Selecting EXTRA DRY will increase the cycle time and dry level, while DAMP DRY will decrease the cycle time and dry level.
- Use the DAMP DRY setting for items that you wish to iron or hang for final drying.

C. TIMED DRY

Allows you to manually select the drying time in 19-minute increments. Use this cycle for small loads or to remove wrinkles. Use the MORE TIME/LESS TIME buttons to increase or decrease the selected drying time in 1-minute increments. Press and hold the MORE TIME or LESS TIME buttons to rapidly change the time.

D.CHIME

Adjusts the volume of the chime or turns off the chime. Press the button repeatedly until the desired volume setting is illuminated.

CYCLE OPTIONS AND SPECIAL FEATURES

Your dryer features several additional cycle options and special features to meet your individual needs. For all steam features, see the following pages.

WRINKLE GUARD

Selecting this option will tumble the clothes after the cycle ends for a few seconds every few minutes without heat. This option is active for 180 minutes after the end of the cycle, or until the door is opened. This helps prevent wrinkles if the clothes are not removed immediately after the cycle has finished.

CONTROL LOCK

Use this option to disable the controls. The Control Lock can only be activated during a cycle. When the controls are locked "CL" will display alternately with the estimated time remaining. If is not activated when the controls are locked, the LED will blink. Once set, the Control Lock must be turned off before the controls can be used. Press and hold the WRINKLE GUARD button for three seconds to lock or unlock the controls.

MY CYCLE

My Cycle allows you to store a customized dry cycle for future use. It allows you to save favorite temperature, dry level, and then recall them at the touch of a button.

NOTE: Only one My Cycle can be saved at a time. Press and hold the MY CYCLE button to overwrite any previously saved cycle.

To save a MY CYCLE:

1. Press the POWER button to turn on the dryer.
2. Turn the cycle selector knob to select the desired cycle.
3. Press the CYCLE MODIFIER button to change the desired setting.
4. Press the CYCLE OPTION button to add the desired options.
5. Press and hold the MY CYCLE button.

To recall a MY CYCLE:

1. Press the POWER button to turn on the dryer.

2. Press the MY CYCLE button. The stored settings will be displayed.
3. Press the START/PAUSE button to start the cycle.

DAMP DRY SIGNAL

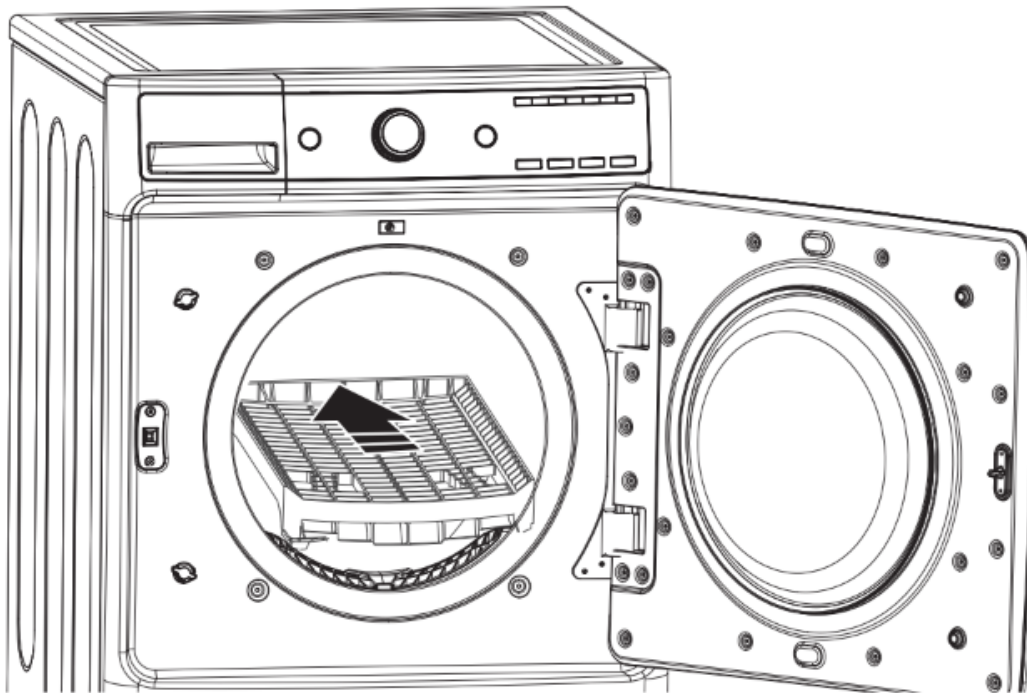
If you select the Damp Dry Signal option, the dryer will emit a chime when the clothes are just short of completely dry, in case you want to remove them for ironing or hang drying. To select, press and hold the SAVE ENERGY+ button for five seconds.

SAVE ENERGY+

This option helps to reduce the energy consumption of the Normal cycle, depending on the size of the load. The drying time will change when Save EnergyH- is selected

NOTE: The SAVE ENERGY+ option is turned on by default on the Normal cycle. If you want a faster drying time, turn off the SAVE ENERGY+ option on the Normal cycle.

INSTALLING AND USING THE DRYING RACK



1. With the dryer door open, slide the rack into the dryer drum.
2. Make sure the front of the rack is seated properly in the recess on the lint filter housing at the front of the drum. The two rear legs of the rack should be resting on the rear wall just above the drum.
3. Place items to be dried on the rack. Make sure that no parts of the items hang over the edges of the rack, as they might be contacted by the rotating drum, causing noise or damage to the drum or items.

NOTE: Be sure to remove the drying rack after using the Rack Dry cycle.

To use the RACK DRY cycle:

Use Rack Dry with items, such as wool sweaters, silk, and lingerie, that should dry flat. Rack Dry can also be used with items that should not be tumbled dry, such as gym shoes or stuffed animals.

1. Turn the cycle selector knob to select the AIR DRY cycle.
2. Press the TEMP button to select from Low or Mid Low temperature options. If no temperature is selected, the cycle defaults to no heat.

STEAM FEATURES

IMPORTANT NOTES ABOUT STEAM FUNCTIONS:

- Steam may not be clearly visible during the steam functions. This is normal.
- Do not use Steam Refresh with items such as wool, wool blankets, leather jackets, silk, wet clothes, lingerie, foam products, or electric blankets.
- For best results, load articles of similar size and fabric type. Do not overload.
- If the home's exhaust system is restricted, the performance of the steam functions will be reduced.
- During steam operation, the clothes will tumble for only a few seconds, once a minute.
- The steam feeder must be filled with water up to the MAX line. Otherwise, the ADD WATER light may illuminate.

Using the STEAM REFRESH cycle

The Steam Refresh cycle uses the power of steam to quickly reduce wrinkles and odor in fabrics. It brings new life to wrinkled clothes that have been stored for an extended period of time, and it can make heavily wrinkled clothes easier to iron. STEAM REFRESH can also be used to help reduce odors in clothes, such as clothes that were worn in a room where people had been smoking. This cycle can refresh from one to five garments, or one bulky item such as a comforter. There are three settings available. Use 3 for one to three garments and 5 for four or five garments. The (big) setting should be used for bulky items. Best results are achieved with 70/30 cotton/polyblend fabrics.

NOTE: The STATIC SHIELD option can be used together with the STEAM REFRESH cycle to help prevent static electricity after the cycle.

1. Turn the dryer ON and select the STEAM REFRESH cycle.
2. Select the STATIC SHIELD option, if desired.
3. The default number of garments is three. Press the MORE TIME or LESS TIME button to adjust the load size, as described above.
4. Press the START/PAUSE button to start the cycle.

STATIC SHIELD

This option uses steam late in the drying cycle to reduce the static electricity caused by dry fabrics rubbing together.

Change the steam time by pressing the MORE TIME and LESS TIME buttons to display the approximate number of articles in the load: 7, 9, 11, 14, 16 or 18.

NOTE: When STATIC SHIELD is added to auto dry cycles, the Damp Dry level cannot be selected.

IRON READY

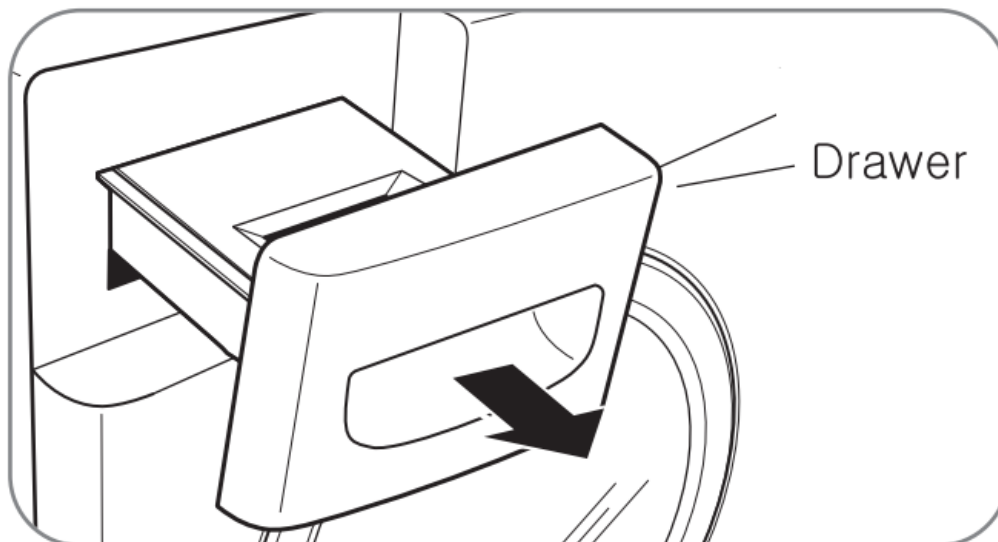
The Iron Ready option provides uniform, properly dampened fabrics for ironing, which can save time and make ironing easier. Change the steam time by pressing the MORE TIME or LESS TIME button, depending on the number of garments in the load: 1, 2, 3, 4, or 5.

Press and hold the STATIC SHIELD button for three seconds to access the Iron Ready function.

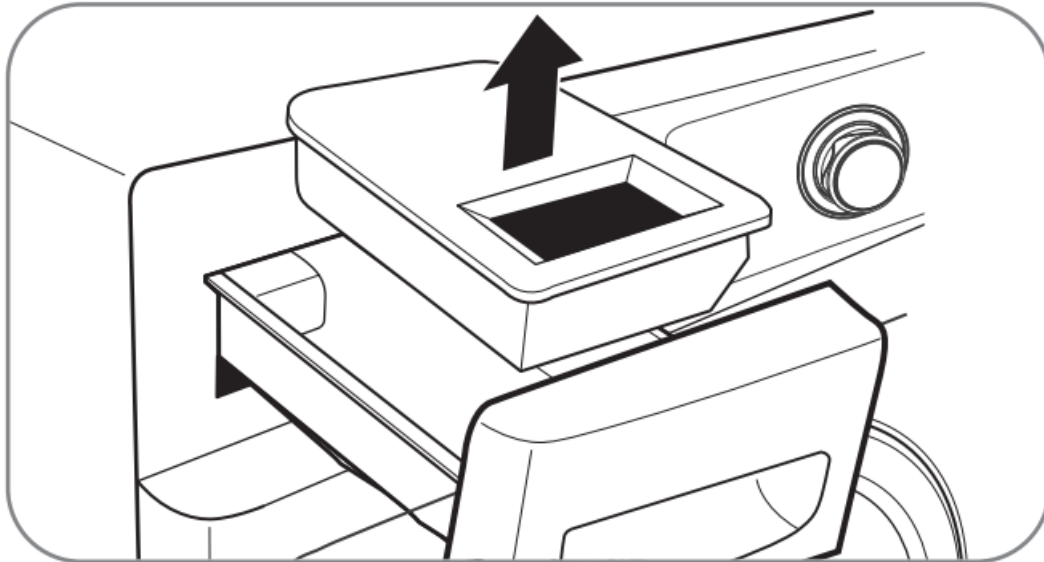
NOTE: After the STATIC SHIELD or IRON READY option is selected in timed dry cycles, the MORE TIME and LESS TIME buttons will change the number of garments, as described above. After the cycle has started, the MORE TIME and LESS TIME buttons are disabled.

Filling the Steam Feeder:

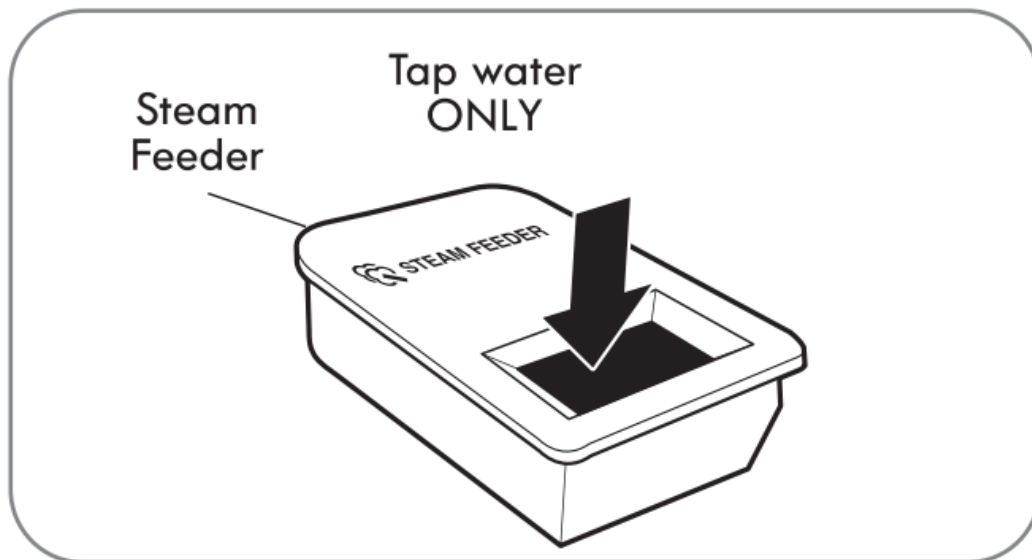
1. Pull out the drawer.



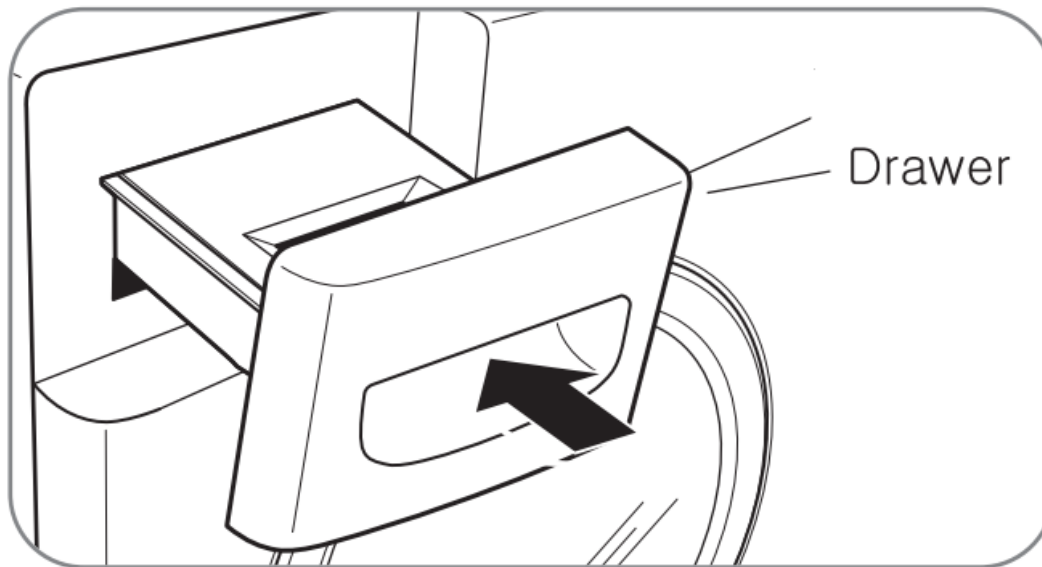
2. Lift out the steam feeder



3. Fill the steam feeder with ordinary tap water to the MAX line or until the water touches the filter screen.



4. Place the steam feeder in the drawer; then push in the drawer until it clicks into place.



IMPORTANT NOTES ABOUT STEAM CYCLES

Before using a steam cycle, the steam feeder must be filled with water up to the MAX line; make sure that the drawer is completely closed. If the steam feeder runs out of water, the ADD WATER light will blink. If the light blinks, turn the dryer off, refill the feeder, and then restart the steam cycle.

When steam is used for the first time, it is possible that the steam feeder may not have enough water and the ADD WATER light will illuminate. Refill the feeder and restart the cycle.

- Only use water. Do not fill the steam feeder with other liquids, rinse agents, or detergents.
- Before moving the dryer, make sure that the steam feeder is empty.
- Do not use distilled water; the water level sensor in the steam generator will not work.
- Be careful not to spill water when filling and replacing the steam feeder.
- Wipe up any spilled water around the steam feeder and drawer before starting the dryer.
- During steam operation, the clothes will tumble for only a few seconds, once a minute.

USER MAINTENANCE INSTRUCTIONS

REGULAR CLEANING

Cleaning the Exterior

Proper care of your dryer can extend its life. The outside of the machine can be cleaned with warm water and a mild, nonabrasive household detergent. Immediately wipe off any spills with a soft, damp cloth.

IMPORTANT: Do not use cleaning alcohols, solvents, or similar products.

NEVER use steel wool or abrasive cleansers because they can damage the surface.

Cleaning the Interior

Wipe around the door opening and seal with a soft, damp cloth to prevent lint and dust buildup that could damage the door seal.

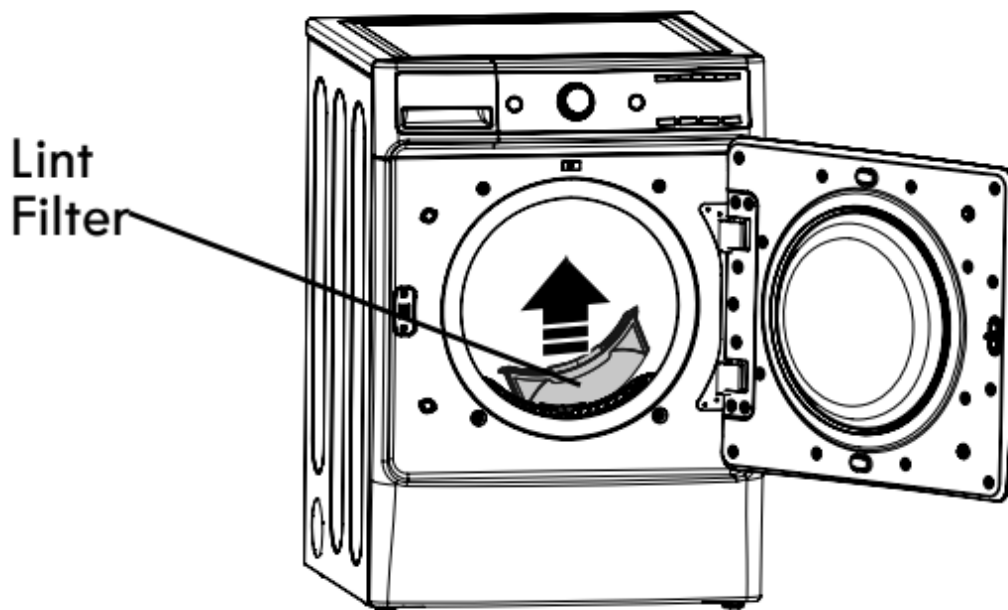
Clean the window with a soft cloth dampened with warm water and a mild, nonabrasive household detergent, then wipe dry.

NEVER use steel wool or abrasive cleansers; they can scratch or damage the surface.

Cleaning Around and Under the Dryer

Vacuum lint and dust from around the dryer and underneath it regularly.

Cleaning the Lint Filter

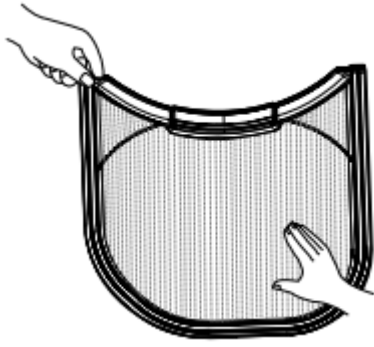


ALWAYS make sure the lint filter is clean before every cycle. The Check Lint Filter Light on the control panel will blink before every cycle to remind you.

NOTE: **NEVER** operate the dryer without the lint filter.

To remove lint between cycles:

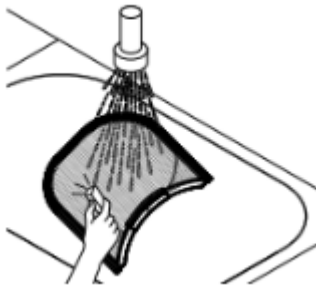
1. Open the dryer door.



2. Pull the lint filter straight up.
3. Roll any lint off the filter with your fingers.
4. Insert lint filter back into dryer.

Periodic thorough cleaning:

Some fabric softeners can build up on the lint filter over time. This buildup can restrict the airflow through the filter reducing dryer efficiency and lengthening drying times. After removing lint, if the filter looks dark or dirty when held up to the light, follow these steps to clean:



1. Use hot soapy water and a stiff brush to clean the filter.
2. Make sure the filter is completely dry before reinstalling it and using the dryer.

Maintaining Ductwork

Vent ductwork should be checked for lint build up once per month and cleaned at least once per year. If any noticeable reduction in airflow or drying performance occurs, immediately check the ductwork for obstructions and blockages. Contact a qualified technician or service provider.

MAINTAINING THE EXHAUST SYSTEM

Maintaining the Exhaust System

Vent ducts should be checked for lint buildup and cleaned at least once per year. If any noticeable reduction in drying performance occurs, check the ducts for obstructions and blockages.

If the CHECK VENT indicator illuminates, the exhaust system should be checked immediately for damage or obstructions. The CHECK VENT indicator signals a serious reduction in exhaust airflow which will greatly reduce energy efficiency and increase drying times. Damaged or restricted exhaust systems are not covered by the dryer warranty. Damage to the dryer that is caused by damaged, restricted, or otherwise inadequate exhaust systems is not covered by the dryer warranty.

CHECK VENT Indicator

The CHECK VENT warning system is designed to help you avoid the reduced performance caused by restrictions in the household exhaust system. The CHECK VENT indicator illuminates to alert you when problems in the system occur, so you can have them repaired.

While you should always check and maintain your exhaust system regularly, the CHECK VENT warning system will detect and alert you if serious problems develop in your home's exhaust system. This includes exhaust systems that are unsatisfactory for any reason including a blockage in the venting, crushed/kinked venting, or venting which exceeds the maximum recommended length requirement as described in the installation section.

NOTE: The total length includes the length from the back of the dryer to the outside vent hood, PLUS a factor for every 90° elbow in the exhaust system. For example, if the distance from the back of the dryer to the vent hood is 30 feet, and there are four elbows in the system, then it exceeds the 28 foot maximum length allowed for those conditions as specified in the Duct Length Chart.

The CHECK VENT indicator on the control panel will alert you that the exhaust system is not moving enough air from the dryer to the outside. This lack of airflow will lead to long dry times, poor drying and possibly dryer failure.

As a reminder, external dryer venting is considered part of your home and is not covered by the product warranty or protection agreements. There are services available for cleaning/maintaining the external venting. Sears provides this service via Sears Carpet, Upholstery, and Duct Cleaning. Call 1-800-661-6594 to schedule duct cleaning service from Sears (if it is available in your area).

CHECK VENT Operation

The CHECK VENT system uses components already in the dryer. By monitoring these components over the course of several cycles, the control is able to determine how much restriction there is in the exhaust system. If it detects a high level of restriction, it will turn on the CHECK VENT light to alert you to the condition. The dryer will continue to operate after the light comes on, but you should have the exhaust system cleaned or repaired immediately to avoid longer dry times and higher energy consumption.

IMPORTANT: In order for a dryer to properly and efficiently dry your clothes, it is extremely important that the exhaust system is as short and clean as possible. It **MUST** be less than the maximum length specifications as outlined in the installation section. It is also very important that

you make sure that when the dryer is installed, the exhaust system is clean and clear of any restrictions and is not kinked or crushed.

Failure to meet these guidelines will result in long dry times, increased energy consumption and possibly even clothing damage or dryer failure. When exhaust system restrictions become extreme, the CHECK VENT light will blink to alert you to the condition so you can have the exhaust system cleaned or repaired.

1. To prevent false alarms and for increased reliability, the dryer will monitor the exhaust condition for several loads. If multiple, consecutive cycles exceed the restriction limits, the control will blink the CHECK VENT indicator.
2. A blinking CHECK VENT indicator means the external venting should be checked for potential restrictions as soon as possible.
3. The CHECK VENT indicator will remain active (blinking) until the restriction is resolved AND the control has verified the improved airflow for several cycles.
4. After the exhaust is cleaned or repaired, it will take several cycles for the CHECK VENT indicator to reset and turn off the light.

NOTE: The CHECK VENT indicator is designed to measure performance over several consecutive cycles before activating or deactivating, to avoid false alarms. A very large load, such as a large comforter, could cause the CHECK VENT system to sense that the exhaust system is restricted, but this would not cause the light to blink. However, if several large loads were to run back to back, the CHECK VENT indicator could be activated.

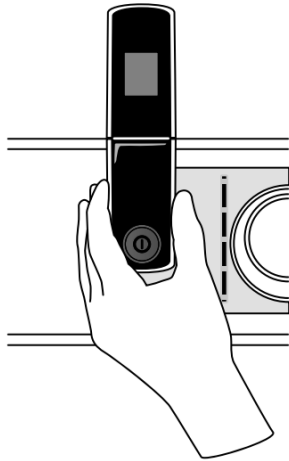
Should you experience any problems with your dryer, it has the capability of transmitting data via your telephone to the Kenmore Connect Team. This gives you the capability of speaking directly to our specially trained technicians. The technician records the data transmitted from your machine and uses it to analyze the issue, providing a fast and effective diagnosis.

If you experience problems with your dryer, call 1-800-4-MY-HOME®. Only use the Kenmore Connect System feature when instructed to do so by the Kenmore Connect Team. The transmission sounds that you will hear are normal and sound similar to a fax machine.

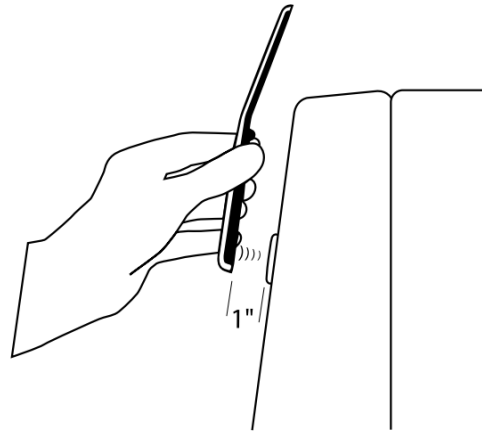
Kenmore Connect cannot be activated unless your dryer is turned on by pressing the POWER button. If your dryer is unable to turn on, then troubleshooting must be done without using Kenmore Connect

Using the Kenmore Connect™ System

First, call 1-800-4-MY-HOME® (1-800-469-4663). If the number of the phone you are using is on file and is associated with your dryer, you will be quickly relayed to a Kenmore Connect team agent. Follow the technician's instructions and perform the following steps only when requested to by the Kenmore Connect Team agent.



Appearance may vary by model.



HOLD the mouthpiece of your phone over the **POWER** button, when instructed to do so by the call center, no more than one inch from (but not touching) the machine.

NOTE: Do not press any other buttons or turn the cycle selector knob.



PUSH and hold the **TEMP** button while continuing to hold your phone to the **POWER** button.



LISTEN for three beeps. After you hear the three beeps, release the **TEMP** button. Keep the phone in place until the tone transmission has finished. The display will count down the time. Once the countdown is over and the tones have stopped, resume your conversation with the technician, who will then be able to assist you in using the information transmitted for analysis.

TROUBLESHOOTING GUIDE

BEFORE CALLING FOR SERVICE



Problem	Possible Cause	Solution
*CHECK VENT is blinking	<p>Exhaust system is too long or has too many turns/restrictions.</p> <p>Partial blockage of the ductwork due to lint buildup or other foreign object.</p>	<p>Install a shorter or straighter exhaust duct. See the Installation Instructions for details.</p> <p>Ductwork should be checked regularly. If the dryer can be used in this condition, the cycle time will be longer and energy consumption will be higher.</p>
<p>* This warning light does not indicate a dryer failure and is not covered by the dryer warranty. Contact a qualified technician or service technician to set up an appointment to have your exhaust system cleaned and inspected.</p>		
Dryer will not turn on	<p>Power cord is not properly plugged in.</p> <p>House fuse is blown, circuit breaker has tripped, or power outage has occurred.</p>	<p>Make sure that the plug is securely inserted into a properly grounded outlet matching the dryer's requirements.</p> <p>Reset circuit breaker or replace fuse. If the fuse is blown, increase fuse capacity. If the circuit breaker is overloaded, have it corrected by a qualified electrician.</p>
Dryer does not heat	<p>House fuse is blown, circuit breaker has tripped, or power outage has occurred.</p> <p>Gas supply or service is turned off (gas models only).</p>	<p>Reset circuit breaker or replace fuse. If the fuse is blown, increase fuse capacity. If the circuit breaker is overloaded, have it corrected by a qualified electrician.</p> <p>NOTE: Due to the design of the dryer, it is possible for a circuit problem to occur that allows the dryer to run without heat.</p> <p>Confirm that the house gas supply and shutoff valves are both fully open. If the gas supply is not supplied to the dryer, it will not heat. The dryer will display. Verify that other gas appliances in the home are working normally.</p>



<p>Greasy or dirty spots on clothes</p>	<p>Clean and dirty clothes are being dried together.</p> <p>Clothes were not properly cleaned or rinsed before being placed in the dryer.</p>	<p>Only use your dryer to dry clothes. Dirty clothes can transfer to the same or later loads.</p> <p>Stains on dried clothes could be removed during the washing cycle that clothes are being completely according to the instructions on the detergent. Some difficult soils may require pre-treating prior to washing.</p>
<p>Excess static in clothes after drying</p>	<p>Fabric softener is not used or used incorrectly.</p> <p>Clothes dried too long (over dried).</p> <p>Drying synthetics, permanent press, or synthetic blends.</p>	<p>Use a fabric softener or the dryer's static eliminator, if equipped, to reduce static. Follow the fabric softener manufacturer's instructions.</p> <p>Overdrying a load of laundry can increase static electricity. Adjust settings to reduce drying time, or use AUTO DRY.</p> <p>These fabrics are naturally more prone to static buildup. Try using fabric softener and/or shorter TIMED DRY times.</p>
<p>Drying time is not consistent</p>	<p>Heat settings, load size, or dampness of clothing is not consistent.</p>	<p>The drying time for a load will vary based on the type of heat used (electric, natural gas), the size of the load, the type of clothes, and the condition of the clothes and lint filter. Even an unbalanced load can cause poor spinning, resulting in clothes that will take longer to dry.</p>
<p>Clothes take too long to dry</p>	<p>Exhaust ducts are blocked, dirty, or duct run is too long.</p> <p>Load is not properly sorted.</p> <p>Large load of heavy fabrics.</p> <p>Dryer controls are not set properly.</p> <p>Lint filter needs to be cleaned.</p> <p>House fuse is blown, circuit breaker has tripped, or power outage has occurred.</p> <p>Dryer is overloaded.</p>	<p>Confirm that the exhaust duct is clear and free of debris, lint, and obstructions. Check that outside wall dampers can open and are not blocked, jammed, or damaged.</p> <p>Separate heavy items from light items. Heavy and heavier items take longer to dry. A load with heavy items can force the light items dry faster.</p> <p>Heavy fabrics take longer to dry to retain more moisture. To help dry more consistent drying times.</p>



	<p>Dryer is underloaded.</p>	<p>fabrics, separate these items into a load of consistent size.</p> <p>Use the appropriate control setting for the load you are drying. Some loads may require adjustment of the DRY LEVEL control for best drying.</p> <p>Remove the lint from the filter after every load. With the lint removed, hold the filter up to the light to see if it is dirty or clogged. If it is, clean it according to the cleaning instructions Care and Maintenance section. With some loads that produce a lot of lint, such as new bath towels, it may be necessary to pause the cycle and clean the filter.</p> <p>Reset circuit breaker or replace fuse. If necessary, increase fuse capacity. If the problem persists, have it corrected by a qualified electrician.</p> <p>NOTE: Due to the design of the dryer, it is not possible for a circuit problem to prevent the dryer to run without heat.</p> <p>Divide extra large loads into smaller loads for better drying performance and efficiency.</p> <p>If you are drying a very small load of items to ensure proper tumbling, use a larger load of very small and you are using the electronic control cannot properly sense the weight of the load and may shut off the heat prematurely. Add DRY or add some extra wet items to the load.</p>
<p>Clothes are wrinkled</p>	<p>Clothes dried too long (overdried).</p> <p>Clothes left in dryer too long after cycle ends.</p>	<p>Overdrying a load of laundry can cause clothes to become wrinkled. Try a shorter drying cycle and remove items when they are still slightly damp. A slight amount of moisture will help prevent wrinkles.</p> <p>Use the WRINKLE GUARD feature to help prevent wrinkles. Tumble the clothes briefly every 15 to 30 minutes for the last 150 minutes to help prevent wrinkles.</p>



<p>Clothes are shrinking</p>	<p>Garment care instructions are not being followed.</p>	<p>To avoid shrinking your clothes, follow fabric care instructions. Some clothes naturally shrink when washed but will shrink when washed with high or low or no heat setting and/or</p>
<p>Display shows error code: tE1 or tE2</p>	<p>Temperature sensor failure.</p>	<p>Turn off the dryer and call for service.</p>
<p>Lint on clothes</p>	<p>Lint filter not cleaned properly. Laundry not sorted properly. Excess static in clothes. Dryer is overloaded. Tissue, paper, etc., left in pockets.</p>	<p>Remove the lint from the filter. With the lint removed, hold the filter up to the light to see if it is dirty or clogged. If so, clean the filter according to the cleaning instructions in the Care Guide Section. With some loads that produce a lot of lint, it may be necessary to clean the filter during the cycle.</p> <p>Some fabrics are lint producers (e.g., cotton towel) and should be separated from clothes that are lint trappers (e.g., linen pants).</p> <p>Use a fabric softener to reduce static. Be sure to follow the manufacturer's instructions.</p> <p>Overdrying a load of laundry can increase static electricity. Adjust settings to reduce drying time, or use AUTO DRY.</p> <p>Divide extra large loads into smaller loads.</p> <p>Check pockets thoroughly before drying clothes.</p>
<p>Steam Features Not Working</p>	<p>Steam is not generated and no error code is displayed.</p> <p>Garments are still wrinkled at the end of the STEAM REFRESH cycle.</p> <p>Water drips down the door during steam cycles.</p> <p>Drum does not turn during steam cycles.</p>	<p>Check for condensation on the door during steam portion of the cycle. If condensation is directly visible, this is normal.</p> <p>Check steam feeder drawer:</p> <ol style="list-style-type: none"> (1) Make sure steam feeder drawer is fully closed. (2) Make sure steam feeder drawer is fully closed.



	<p>Cannot see steam vapor at the beginning of the cycle.</p> <p>Odors are not completely removed at the end of the STEAM REFRESH cycle.</p>	<p>(3) Turn the dryer off, then turn the steam cycle.</p> <p>DO NOT USE DISTILLED WATER in the steam generator. If the feeder pump not working - call for service.</p> <p>Load only one to five garments (one item). Do not mix fabric types.</p> <p>STEAM REFRESH is most effective on polyblends. Do not use on 100% cotton.</p> <p>Steam is invisible. However, the condensed fog may be seen on the inside of the glass door. It will form on the inside of the glass door and be seen dripping down the glass door.</p> <p>The drum is turned off so that the steam remains in the drum. The drum will turn a few seconds, once a minute.</p> <p>Steam is released at different times for each option. Steam cannot be used if condensation may form on the glass door when steam is being generated.</p> <p>Some odors are difficult to remove, especially those containing certain difficult odors. These may not refresh well and should be cleaned instead.</p>
--	---	--

FEATURES AND BENEFITS

KEY PARTS AND COMPONENTS

There are several important components that are referenced in this manual.

A. EASY-TO-USE CONTROL PANEL

Rotate the cycle selector knob to select the desired dry cycle. Add cycle options or adjust settings with the touch of a button.

B. TIME AND STATUS DISPLAY

The easy-to-read LED display shows cycle status and estimated time remaining.

C. CYCLE MODIFIERS

Adjust the cycle settings such as temperature and dry level with the touch of a button.

NOTE: Not all settings are available for all cycles.

D. STEAM FEEDER

This drawer contains the reservoir for the water used by the dryer to create steam for the STEAM REFRESH cycle and other steam features.

E. CHECK VENT

(Duct Blockage Sensing System)

The Check Vent (Duct blockage sensing system) detects and alerts you to blockages in the exhaust system that reduce airflow from the dryer. Maintaining clean exhaust system ducts improves operating efficiency and helps minimize service calls, saving you money.

F. ULTRA-CAPACITY DRUM

The ultra-large drum offers superior durability.

G. EASY-ACCESS REVERSIBLE DOOR

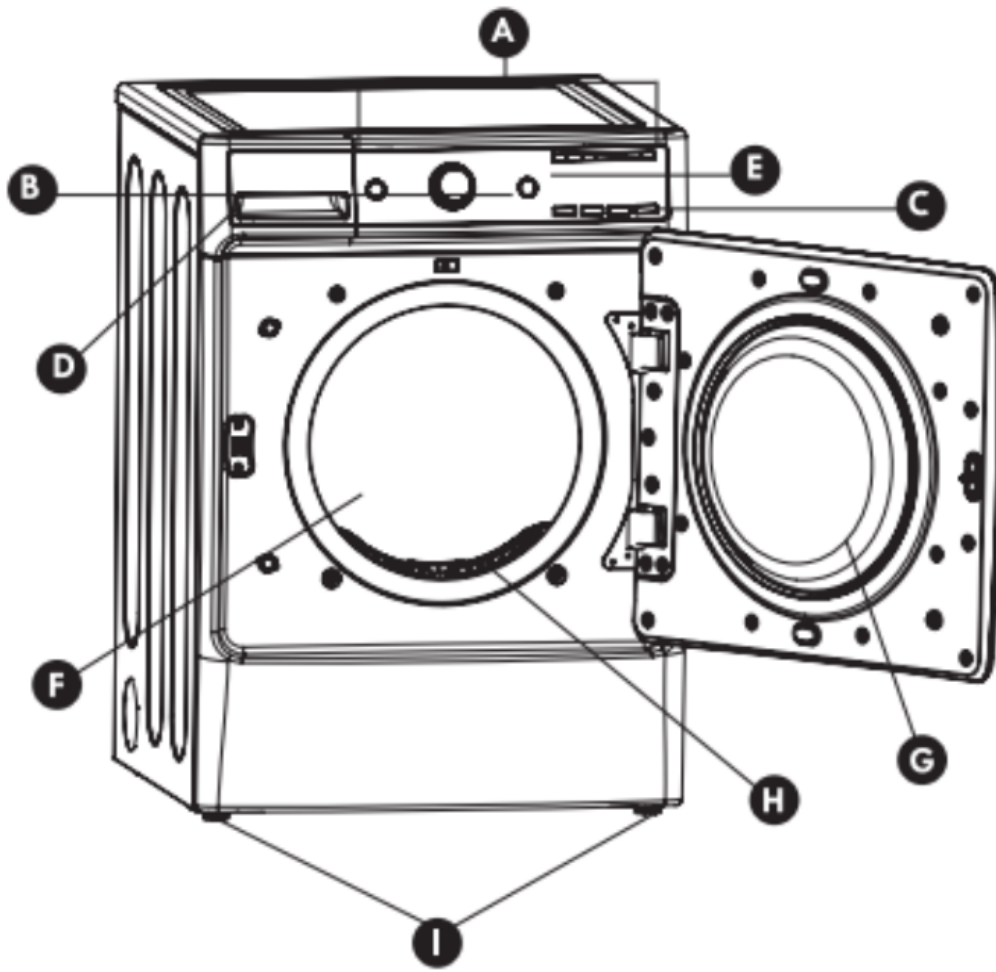
The wide-opening, see-through glass door provides easy access for loading and unloading. Door swing can be reversed to adjust for installation location.

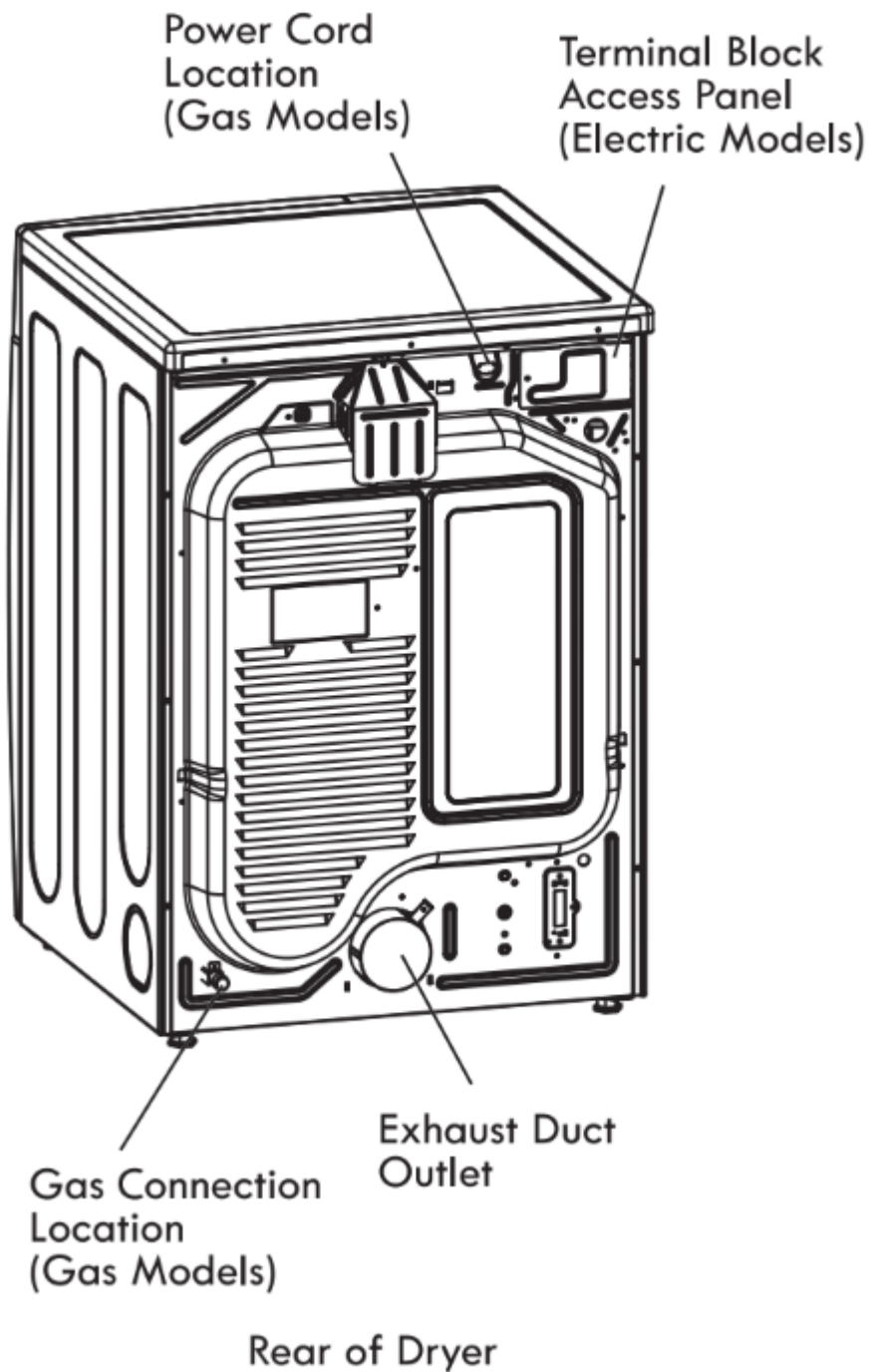
H. FRONT-MOUNT LINT FILTER

The front-mount lint filter allows for easy access and cleaning between loads.

I. LEVELING FEET

Four leveling feet (two in front, and two in back) adjust to improve dryer stability on uneven floors.





Warning

This content is compiled from multiple sources and is provided for reference purposes only. It may not be complete or fully applicable to all situations. If you are unable to resolve your issue, please contact the product manufacturer or an authorized service provider for official support.

