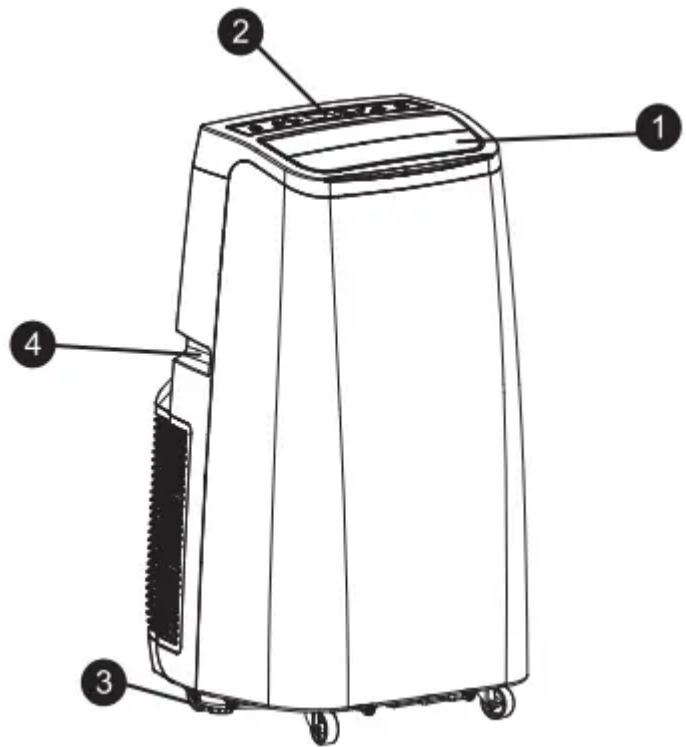


# User Manual Air Conditioner

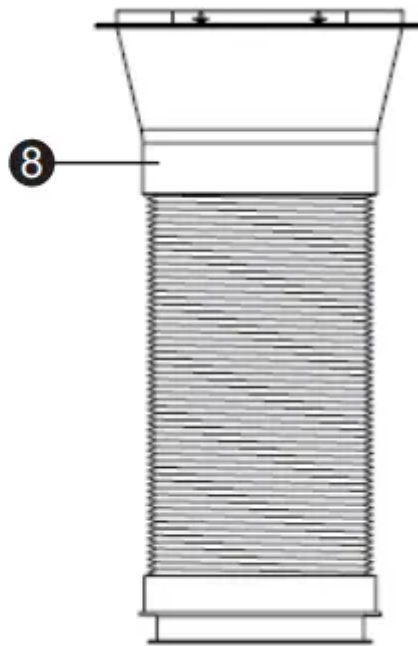


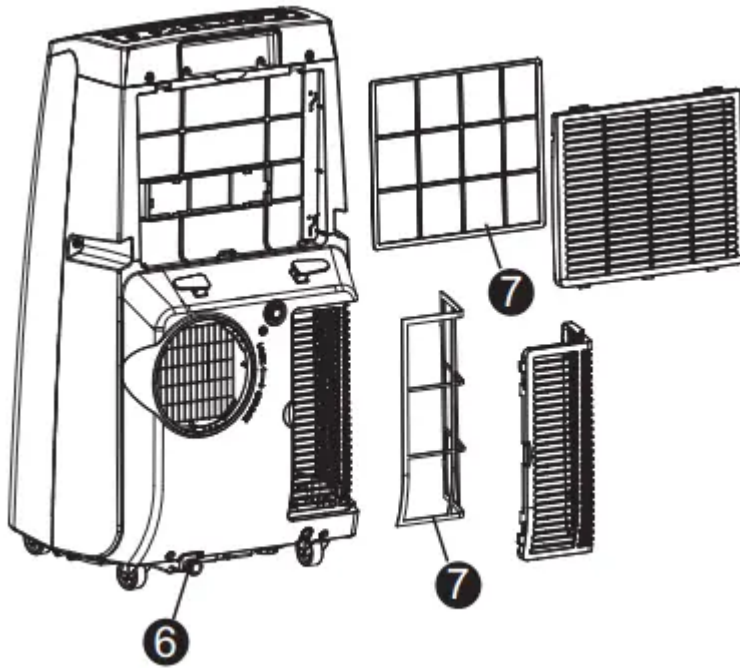
# PARTS AND FEATURES





Key Parts and Components





### **1. AIR DISCHARGE**

The adjustable louvered air discharge opens automatically when the air conditioner is turned on, and closes when it is turned off. It can also be set to oscillate to distribute air more evenly through the room.

### **2. CONTROL PANEL AND DISPLAY**

The easy-to-read digital display shows the set temperature, and indicator lights show the operating mode. Simple push buttons make changing settings quick and easy.

### **3. SWIVELING CASTERS**

Swiveling casters allow you to move the air conditioner easily on most floor surfaces.

### **4. INTEGRATED HANDLES**

Integrated handles provide a convenient grip when lifting the air conditioner.

### **5. INFRARED REMOTE CONTROLLER**

The remote controller allows you to adjust the temperature and operate most functions of the air conditioner from across the room.

### **6. BOTTOM DRAIN PORT**

Before moving the air conditioner, drain the internal water in the collection tank completely using the bottom drain port.

### **7. AIR FILTER**

### **8. HOSE AND DIFFUSER**

Use the diffuser and hose to connect the air conditioner to the window installation kit to vent exhaust air outside.

## HOW TO USE

### Before Using the Air Conditioner

#### PREPARING FOR OPERATION

Refer to the Installation Instructions included in this manual before using the air conditioner.

Once the air conditioner has been properly assembled and installed:

1. Plug the power cord into its own dedicated properly grounded outlet. Do not plug other appliances into the same outlet. Doing so could overload the outlet and create a fire hazard.
2. Make sure the air conditioner and cord are positioned where they do not create a tripping hazard and will receive adequate ventilation. Do not place the appliance near furniture or objects that could block the vent openings
3. Make sure that any items that could be blown over or damaged by the airflow from the fan are out of the airflow path

#### UNPACKING THE AIR CONDITIONER

Remove and store packing materials for reuse. Remove any shipping tape before using the air conditioner. If the tape leaves behind any adhesive, rub a small amount of liquid dish soap onto it and wipe with a damp cloth. Do NOT use sharp instruments, alcohol, thinners, or abrasive cleaners to remove adhesive.

They could damage the finish.

#### INSERTING BATTERIES IN THE REMOTE

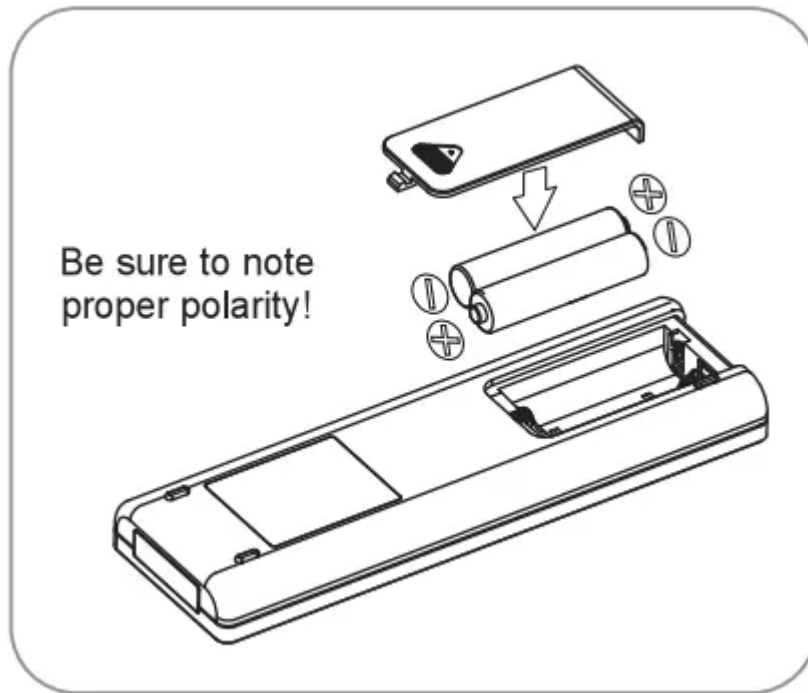
Before using the remote, install the provided AAA batteries.

1. Press and slide to remove the battery cover on the back of the remote.
2. Insert two new alkaline AAA batteries into the battery compartment, being sure to note the proper polarity.
3. Reattach the battery cover.

NOTE :

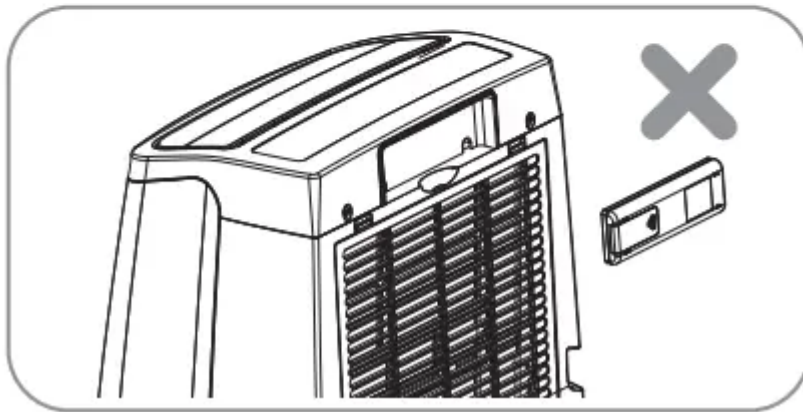
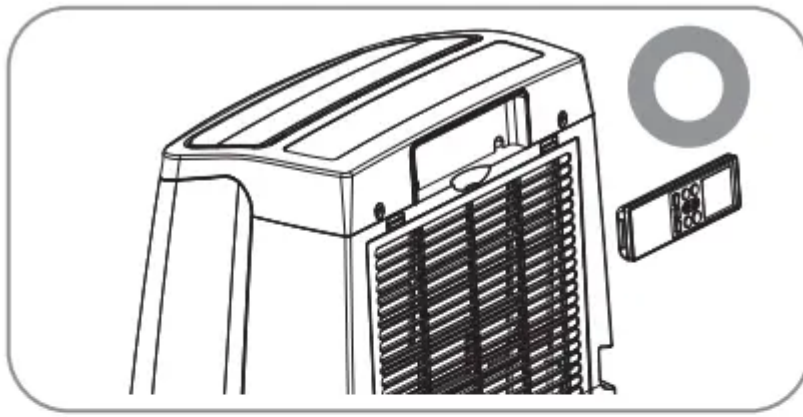
- Use only alkaline batteries. Do not use rechargeable batteries.
- When replacing batteries, always replace both batteries with new batteries. Do not mix old and new batteries. Do not mix alkaline, standard (carbon-zinc), or rechargeable (ni-cad, ni-mh, etc) batteries.

- If the air conditioner will not be used for an extended period of time, remove the batteries from the remote.



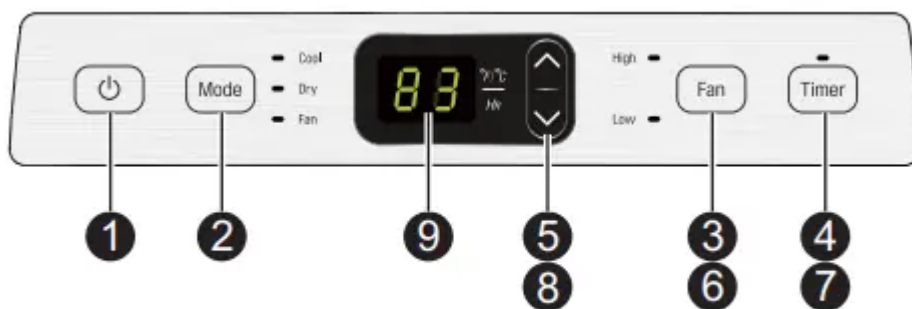
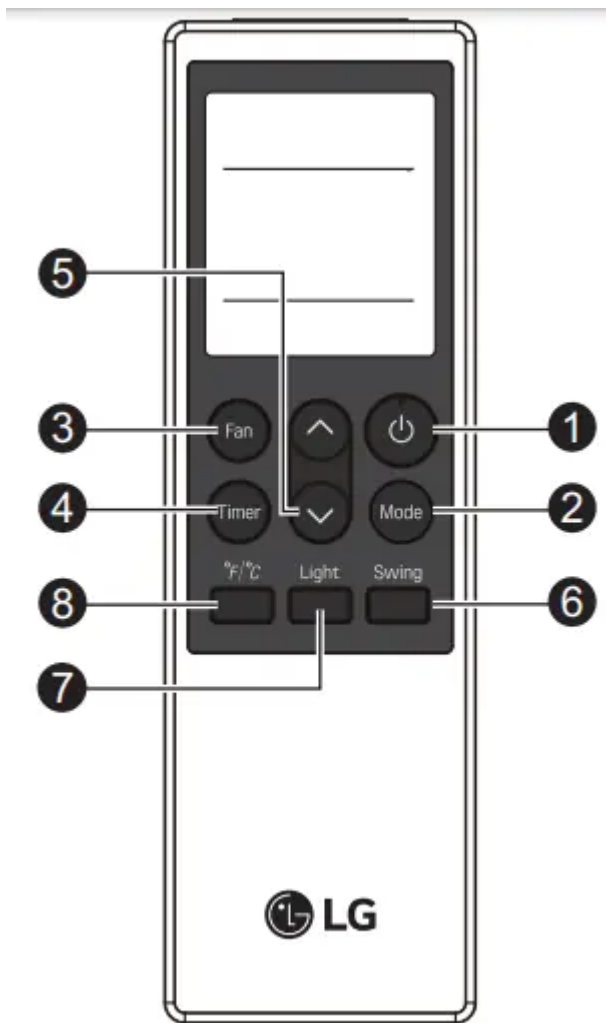
### REMOTE STORAGE

The air conditioner is designed with a convenient storage compartment for the remote



### Control Panel and Remote

Operation of functions is the same when using the remote or the control panel, unless otherwise stated. The remote and the control panel are not in sync. For best results when using the remote, remember to check that all desired settings are correct on the remote as well as on the control panel.



### 1. POWER

Turns the air conditioner on and off. A chime sounds to confirm you have turned it on or off.

### 2. MODE

Press this button repeatedly to toggle through and select the operating mode. Modes include Cool, Dry (dehumidify), and Fan. An LED illuminates to indicate

the selected mode. The default mode is Cool. See the Operation section for more information.

### 3. FAN

Press repeatedly to toggle the fan speed between High and Low settings. An LED illuminates to indicate the selected fan speed. The fan speed can be changed in the Cool, and Fan modes. The fan speed is preset in the Dry mode. After pressing the button, there is a brief delay before the fan motor changes speed.

### 4. TIMER

Use the timer function to set the air conditioner to turn on or off at a desired time. See the Operation section for more information.

### 5. ▲ / ▼ (TEMP/TIMER)

In COOL mode, the ▲/▼ buttons adjust the set temperature up to 86°F or down to 60°F, in one-degree increments. When the TIMER function is selected, use the ▲/▼ buttons to adjust the delay time from 0 to 24 hours, in one-hour increments.

### 6. SWING

Sets the air discharge louvers to open and shut, circulating the air more effectively through the room. If the louvers do not move properly, unplug and plug in the power cord.

### 7. LIGHT

Turn on/off the Display screen

### 8. °C/°F

Remotely change units between °C and °F

### 9. LED DISPLAY

LED display shows the set temperature, fan speed, or the selected TIMER delay. LEDs illuminate to indicate the active Mode, fan speed, and other settings. An FL error code displays when the water drain tank needs to be emptied.

## Operation

### MODES

COOL

Compressor runs and cools the room. Use the  $\wedge/V$  and FAN buttons to set the desired temperature and fan speed. The desired temperature can be set from 60°F to 86°F (16°C to 30°C) in one-degree increments.

### **FAN**

Fan circulates air but compressor does not run. Use the FAN button to set the desired fan speed to either High or Low.

### **DRY**

Use the Dry mode to remove humidity from the room without additional cooling. This mode adjusts the room temperature and the fan speed automatically to maintain the optimal level of humidity.

## **RESTARTING THE AIR CONDITIONER AUTOMATICALLY**

When the air conditioner is turned on again after a power failure, this function restores the previous Settings.

## **TIMER**

Use the Timer function to turn the air conditioner ON/OFF automatically.

### **Setting the Air Conditioner to Turn ON**

1. Plug in the air conditioner and power it ON.
2. Set the desired mode, temperature, fan speed, etc.
3. Power OFF the air conditioner.
4. Press Timer and use the  $\wedge/V$  buttons to set the desired delay time until the air conditioner turns ON. The delay time can be set from 0 to 24 hours in one-hour increments.
5. The Timer LED on the air conditioner illuminates, and the delay time appears on the remote and in the control panel.
6. To cancel the Timer function, press Timer twice.

### **Setting the Air Conditioner to Turn OFF**

1. Plug in the air conditioner and power it ON.
2. Set the desired mode, temperature, fan speed, etc.
3. Press Timer and use the  $\wedge/V$  buttons to set the desired delay time until the air conditioner turns OFF. The delay time can be set from 0 to 24 hours in one-hour increments.
4. The Timer LED on the air conditioner illuminates, and the delay time appears on the remote. The delay time appears briefly in the control panel and is then replaced by the set temperature.

5. To cancel the Timer function, press Timer twice.

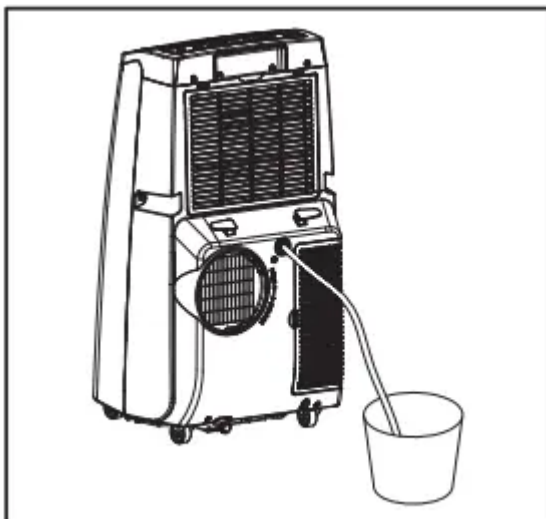
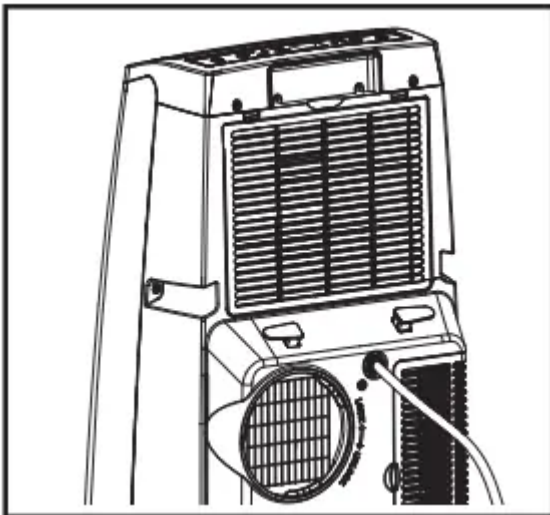
## CARE AND CLEANING

### EMPTYING THE WATER COLLECTION TANK

This product has a self-evaporative system. The condensing water will be recycled to cool the condenser. This not only improves cooling efficiency, but also saves energy for you

#### Using the Upper Drain Port (Dry Mode Only)

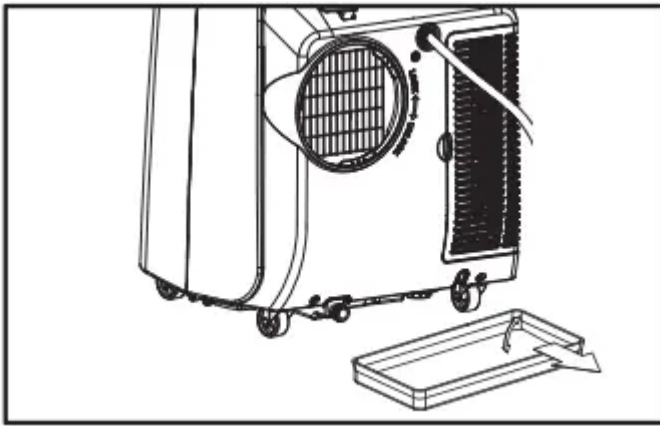
- This can be used when you need dehumidification in high humidity.
- The upper drain port is not used in the Cool or Fan mode.
- Remove the drain plug when using the Dry (dehumidifying) mode.
- Install a drain hose (12mm [1/2"] outer diameter) and place the open end of the hose over a drain or bucket or out the window.



## Using the Lower Drain Port

When the internal water collection tank is full, the LED display will show FL and the air conditioner will turn off until the tank is emptied

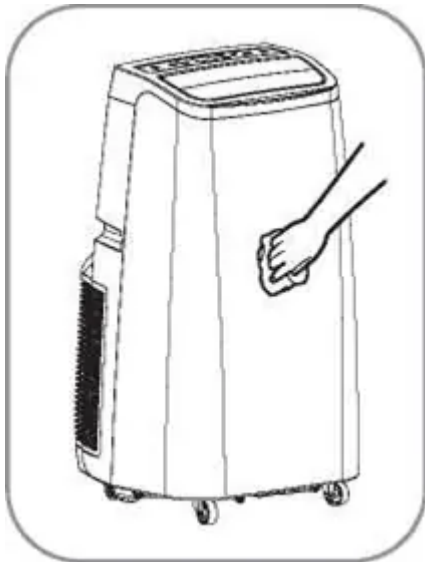
- Unplug the air conditioner, disconnect the exhaust hose from the back, and move the air conditioner to a suitable drain location or outdoors. You may also place a pan under the drain that will hold up to 2 pints of water
- Remove the drain cap from the drain outlet.
- Once the water collection tank is drained, reinstall the drain cap, making sure it is on securely.
- Place the air conditioner in the desired location, reconnect the exhaust hose, and plug in the air conditioner.



## CLEANING THE CASE

Wipe the case with a slightly damp cloth, then wipe dry with a dry cloth or towel.

- To prevent damage to the finish, do not use gasoline, benzene, thinner, etc., or any abrasive cleansers to clean the air conditioner; they may damage the finish.
- Never pour water onto or into the air conditioner. It could damage internal components and create a shock and fire hazard.



### **CLEANING THE AIR FILTER**

The air filters should be cleaned every two weeks; depending on indoor air quality, more frequent cleaning may be needed. A dirty air filter will decrease airflow and reduce efficiency.

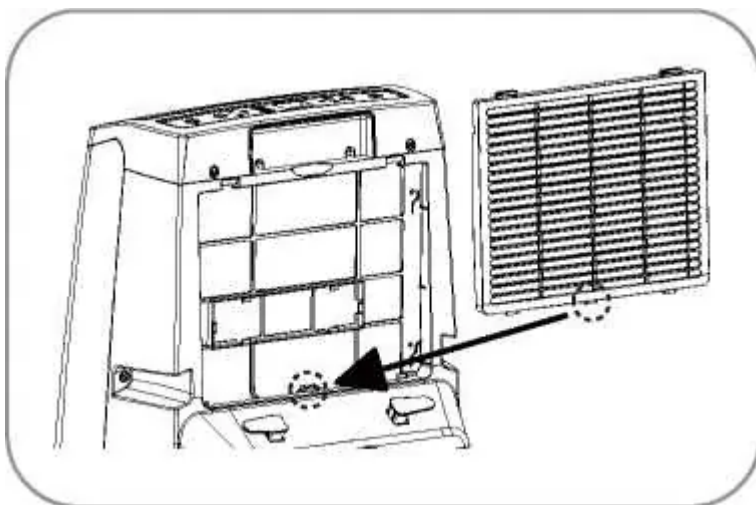
Do not operate the air conditioner without the air filters in place

1. Pull out each air filter by the handle.
2. Use a vacuum cleaner to clean the filters. If the filters are heavily soiled, they can be washed in warm water using a mild detergent.

**Do not use harsh cleaners or very hot water.**

**Do not wash in a dishwasher.**

3. Allow the filters to dry completely before reinstalling
4. Reinsert the filters.



### **STORING THE AIR CONDITIONER**

If the air conditioner will not be used for an extended period of time:

1. To drain the water collection tank completely, leave the bottom drain cap off long enough to allow any residual water to drain out. Once the tank is completely drained and no more water flows out, reinstall the cap.
2. Remove and clean the filters, allow them to dry completely, then reinstall them.
3. Remove the batteries from the remote.
4. Store the air conditioner in a cool, dry location, away from direct sunlight, extreme temperatures, and excessive dust.

Before using the air conditioner again:

1. Make sure the filters and drain cap are in place.
2. Check the power cord to make sure it is in good condition, with no cracks or damage.
3. Place new batteries in the remote.
4. Install the air conditioner as described in the Installation Instructions.

# TROUBLESHOOTING



Problem	Possible causes	Corrective Action
Air Conditioner does not start.	The air conditioner is unplugged	is Make sure the air conditioner plug is pushed completely into the outlet.
	The fuse is blown/ circuit breaker is tripped	Check the house fuse/circuit breaker box and replace the fuse or reset the breaker
	Power failure.	If power failure occurs, unplug the unit. When power is restored, wait 3 minutes to restart the air conditioner to prevent tripping of the compressor overload.
	The current interrupter device is tripped.	Press the <b>RESET</b> button located on the power cord plug. If the <b>RESET</b> button will not stay engaged, discontinue use of the air conditioner and contact a qualified service technician.
	FL appears in the display	The water collection tank is full. Drain the tank and reset your settings
	Room temperature is less than the set temperature.	This is normal. The air conditioner automatically shuts off when the room temperature or is less than the set temperature.  Set the desired temperature to a level lower than the current temperature.
Air Conditioner does not cool as it should.	Airflow is restricted.	Make sure there are no curtains, blinds, or furniture blocking the front of the air conditioner.
	The temp control may not be set correctly.	Set the desired temperature to a level lower than the current temperature.
	The air filters are dirty.	Clean the filters at least every 2 weeks. See the Care and Cleaning section.



	The room may have been hot.	When the air conditioner is first turned on, you need to allow time for the room to cool down.
Air Conditioner freezing up.	The cooling coils are iced over.	Ice may block the airflow and obstruct the air conditioner from properly cooling the room. Set the mode control at <b>High Fan</b> or <b>High Cool</b> .
Air Conditioner runs too often or too long.	Area to be cooled is too large for the air conditioner	Consult your dealer for the air conditioner capacity necessary to cool the desired area.
	Doors or windows are open.	Make sure doors and windows are closed.
Noise when unit is cooling.	Air movement sound.	This is normal. If too loud, set to lower Fan setting.
Remote sensing deactivating prematurely.	Remote control not located within range.	Place remote control within 20 feet and 120° radius of the front of unit.
	Remote control signal obstructed.	Remove obstruction.

Error Code	Possible causes	Corrective Action
Code appears in the display. FL	Water tank is full.	Drain water from the product through drain hole and reset settings.
CH01 CH02	Short/open circuit in thermistor.	Unplug the air conditioner and contact an authorized LG service center.

**Warning**

This content is compiled from multiple sources and is provided for reference purposes only. It may not be complete or fully applicable to all situations. If you are unable to resolve your issue, please contact the product manufacturer or an authorized service provider for official support.

---

Document generated by [ManualsFile](#)