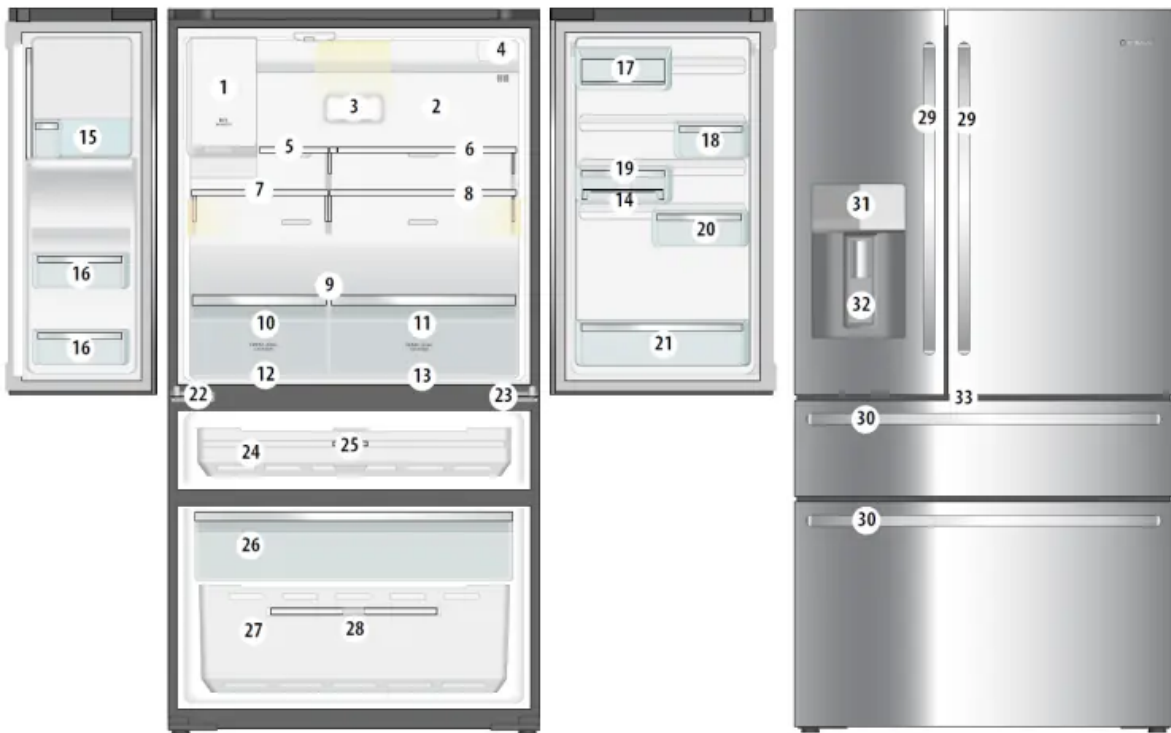


FEATURES AT A GLANCE



1. Ice Maker
2. Air distributor - Multiflow
3. Deodoriser
4. Water filter
5. Flip up glass shelf
6. Slide/fold glass shelf
7. Left Spillsafe™ glass shelf
8. Right Spillsafe™ glass shelf
9. Crisper shelf cover
10. FreshSeal™ crisper
11. FreshSeal™ crisper
12. Left Snack Zone compartment
13. Right Snack Zone Compartment
14. Egg Tray
15. Upper fixed door bin
16. Left fixed door bin

17. FlexStor™ dairy bin
18. FlexStor™ 1/3 bin
19. FlexStor™ 2/3 bin
20. Expandable bin
21. Bottle storage bin
22. Adjustable left hinge
23. Adjustable right hinge
24. FlexSpace™ drawer
25. FlexSpace™ drawer divider
26. Upper freezer drawer
27. Lower freezer basket
28. Lower freezer basket divider
29. Refrigerator Door Handle
30. FlexSpace™ drawer handle
31. Refrigerator/Freezer control panel
32. Water and Ice Dispenser Trigger
33. FlexSpace™ drawer control panel

INSTALLATION

INSTALLING YOUR NEW APPLIANCE

Unpacking

ENVIRONMENT

Most of the packing materials are recyclable. Please dispose of those materials through your local recycling depot or by placing them in appropriate collection containers.

Important – check for any damages or marks. If you find the refrigerator is damaged or marked, you must report it within 7 days should you wish to claim for damage/marks under the manufacturer's warranty. This does not affect your statutory rights.

Clean your refrigerator thoroughly following the instructions in the "Cleaning" section and wipe off any dust that has accumulated during shipping.

Locating the refrigerator

CAUTION

Automatic aerosol systems (such as insect control) should not be located adjacent to the product as the spray may cause long term damage to the external plastics of the appliance.

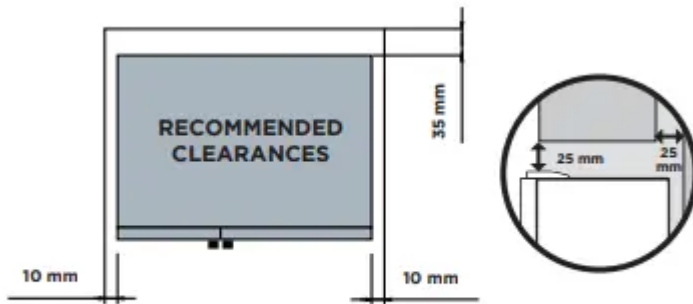
Do not put the refrigerator in a location that is too cold or is unprotected, for example in a garage or on a veranda. The ambient temperature should be above 10°C.

Put the refrigerator in a dry place avoiding areas of high moisture or humidity.

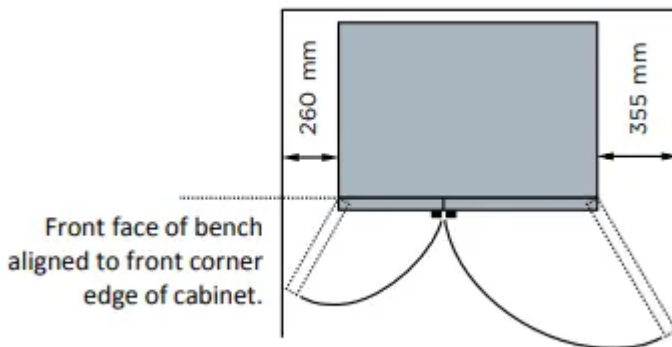
Ensure the refrigerator is located on an even surface.

Adequate ventilation around your refrigerator

The diagram below shows the recommended airspace to allow for ventilation of your refrigerator.



When positioned in a corner area, spacing of right side at least 260 mm and left side at least 355 mm on the hinge side will allow the doors to open enough to enable the removal of bins and shelves.

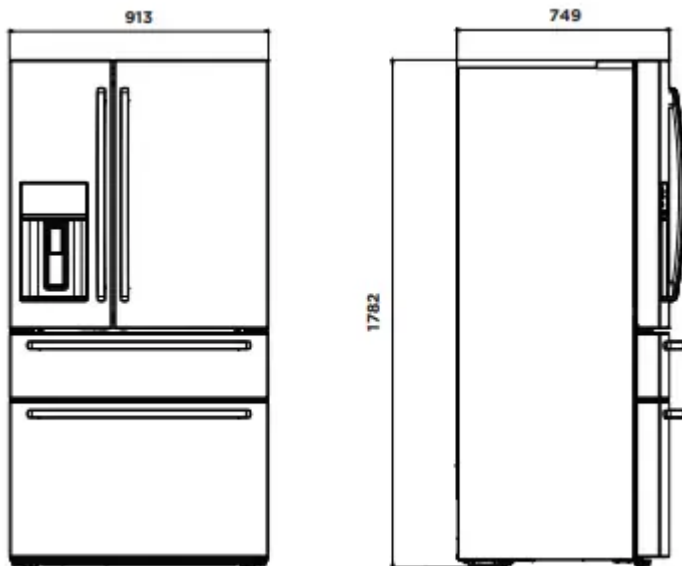


Note: Doors are designed to sit proud of cabinetry (not flush). The clearances shown above are the recommended minimum clearances.

Installing your refrigerator

Allow the following clearances for ease of installation, proper air circulation, and plumbing and electrical connections:





Note: If your refrigerator is placed with the door hinge side against a wall, you may have to allow additional space so the door can be opened wider.

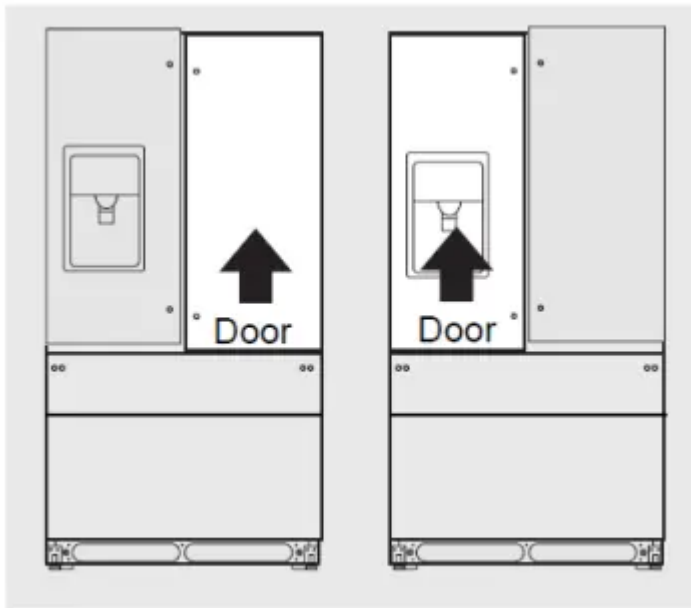
Door opening

Your refrigerator should be positioned to allow easy access to a counter when removing food. For best use of refrigerator drawers and freezer baskets, the refrigerator should be in a position where both can be fully opened.

CAUTION

LED lighting

Your appliance is fitted with long life LED lighting. In the unlikely event the LED lights should fail, then the LED lights should be serviced by the service agent, to avoid a safety hazard. Refer to the warranty page for contact details.



Cabinet Leveling & Refrigerator Door Alignment (if necessary)

Guidelines for final positioning of your refrigerator:

- All four corners of the cabinet must rest firmly on the floor.
- The front should be slightly elevated to ensure that doors close and seal properly.
- Doors should align with each other and be level.

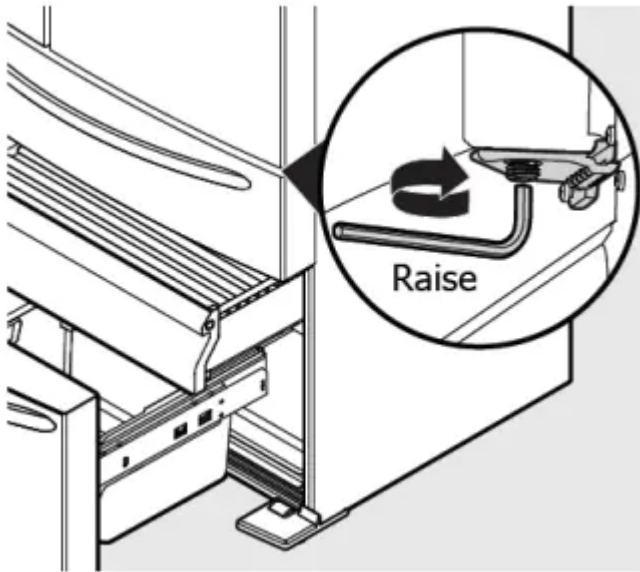
Most of these conditions can be met by raising or lowering the adjustable front rollers.

To level the cabinet using the front rollers:

1. Slightly open freezer drawer if the toe grill is installed. Lift the toe grille and gently pull forward.
2. Make initial cabinet adjustments by using the front roller height adjusting screws. Use a 3/8 inch socket wrench to turn the adjustment screws (1 per side). To raise: turn adjustment screw clockwise. To lower: turn adjustment screw counter clockwise.
3. Ensure both doors are bind-free with their seals touching the cabinet on all four sides and that cabinet is stable.
4. After unit is leveled, lower anti-tip leg using a 3/8 inch socket wrench until it firmly contacts the floor.

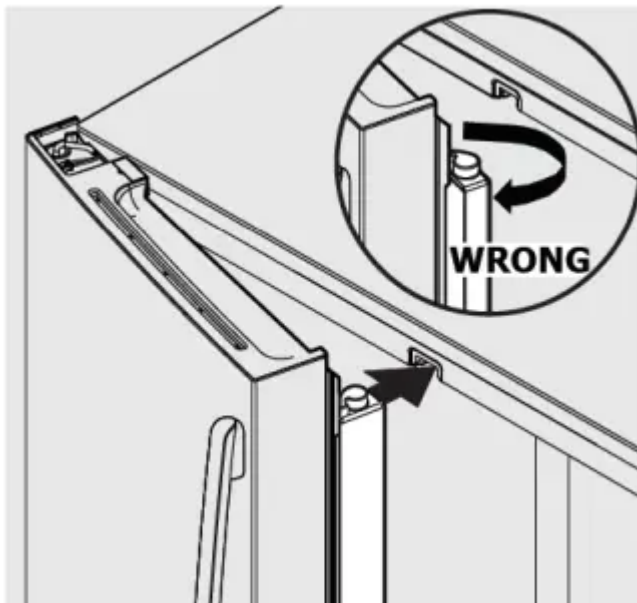
To make final door height adjustments:

1. Open freezer drawer to make lower hinge visible.
2. Insert 6mm Allen wrench into the shaft of the lower hinge.
3. Adjust the height by turning clockwise or counterclockwise. Turning clockwise will lower the door. Turning counterclockwise will raise the door. Default setting is to the lowest height when you receive your appliance.



Flipper Mullion

Adjust Flipper Mullion for proper connection with the mullion guide by ensuring the flipper mullion is folded and perpendicular to the fresh food door. If the mullion guide is not in the correct position, it could prevent the door from closing completely.



INSTALLING DOOR HANDLES

CAUTION

Wear gloves and safety goggles. Use extreme CAUTION when installing these handles

Door Handle Mounting Instructions

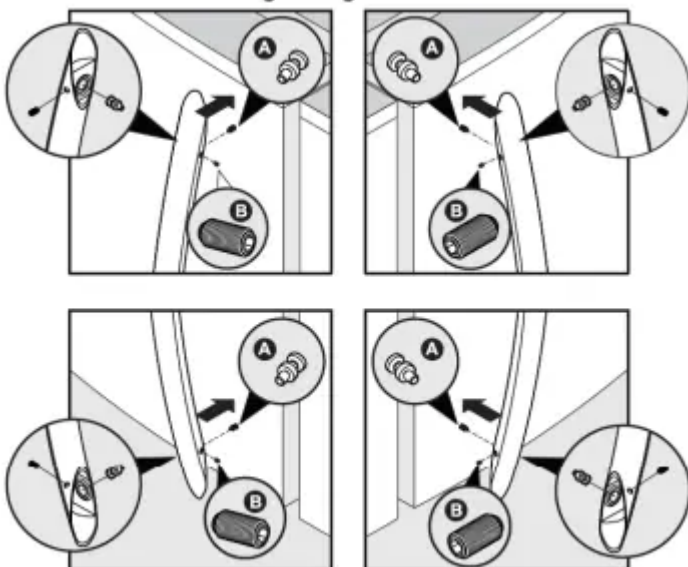
1. Remove handles from carton and any other protective packaging.

2. Position refrigerator handle end caps over upper and lower pre-installed shoulder bolts (A) that are fastened into door, ensuring the holes for the set screws are facing towards the opposite door.
3. While holding handle firmly against door, fasten upper and lower Allen set screws (B) with supplied Allen wrench.
4. Repeat steps 2 and 3 to install opposite handle. Ensure the holes for the set screws are facing towards the first door.
5. Position freezer/FlexSpace™ Convertible Drawer handle end caps over left and right preinstalled shoulder bolts (A) that are fastened to the door, ensuring the holes for the set screws are facing down.
6. While holding handle firmly against door, loosely tighten right Allen set screw (B) with supplied Allen wrench until there is no gap between handle and door.
7. Still holding the handle firmly to the door, firmly tighten left Allen set screw (B) with supplied Allen wrench.
8. Return to the right Allen set screw (B) and firmly tighten with supplied Allen wrench.

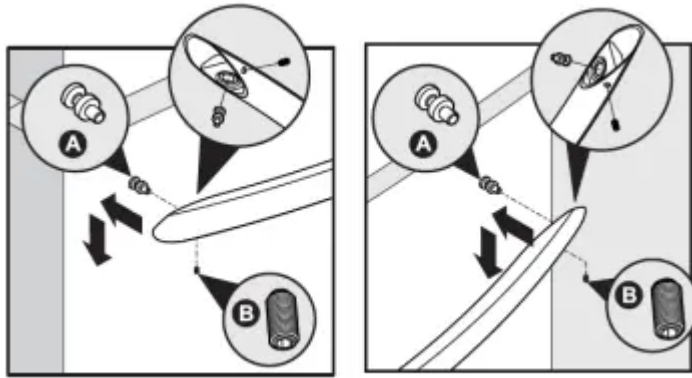
Note: All set screws should be tightened so the screw is below the surface of the handle. The handles should be drawn tight to doors/drawer with no gaps. Opening the opposite door while tightening the Allen screw makes installation easier.

The door handle may loosen over time or if it was incorrectly installed. If this happens, tighten the set screws on the handles.

Mounting Refrigerator Handles



Mounting Freezer/FlexSpace™ Convertible Drawer Handle



CONNECTING THE WATER SUPPLY

WARNING

To avoid electric shock, which can cause death or severe personal injury, disconnect the refrigerator from electrical power before connecting a water supply line to the refrigerator.

WARNING

To Avoid Property Damage:

- DO NOT install water supply tubing in areas where temperatures fall below freezing.
- Chemicals from a malfunctioning water softener can damage the ice maker. If your home has a water softening system, ensure the softener is maintained and working properly.

IMPORTANT Ensure that your water supply line connections comply with all local plumbing codes.

Before Installing the Water Supply Line, You Will Need:

- Basic Tools: adjustable wrench, flat-blade screwdriver, and Phillips™ screwdriver
- The water dispenser and automatic ice maker require a drinkable water supply with a pressure range of between 206kPa and 689kPa (30PSI and 100PSI).
- A water supply to suit a ½" tap fitting is required adjacent to the refrigerator. It is recommended that a licensed plumber install a new water supply outlet nearer to the appliance should the tubing supplied not be long enough. It is not recommended that the tubing be extended as this could adversely affect the flow of water to the ice maker or water dispenser.

WARNING

Connect to potable water supply only. If using tank or bore water it is recommended to also use an external filter (not supplied).

The new hose-sets supplied with the appliances must be used and old hose-sets should not be reused.

WARNING

Never connect the appliance to a hot water supply.

Do not use with water that is microbiologically unsafe or with water of unknown quality without adequate disinfection.

To Connect Water Supply Line to Ice Maker Inlet Valve

Installation kit supplied with Refrigerator:

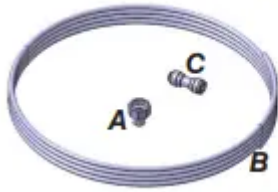


Figure 1

A - Adapter $\frac{1}{2}$ to $\frac{1}{4}$ inch to connect the water supply outlet to the water supply line.

B - Water supply line $\frac{1}{4}$ inch with 3 meters in length.

C - $\frac{1}{4}$ inch connector to connect the water supply line to the refrigerator tube.

1. Disconnect the refrigerator from the power source.
2. Attach the adapter (item A above) to the water line, connect the water supply line (item B) to the adapter (item A) while holding the other end of the water supply line in a bucket or sink Turn on the water supply to eliminate air and clean the water supply line. Turn off the water supply.
3. Remove the plastic protector from the refrigerator tube and connect the water supply line (item B) to the refrigerator tube using the connector (item C) as shown in fig. Make sure the tubes are inserted completely into the connections.
4. Wrap excess water supply line behind refrigerator so that it does not vibrate with refrigerator operation. Do not twist the pipe.
5. Turn on the water supply, check that there are no leaks in the connections.
6. Reconnect the refrigerator to the power source.
7. The Ice Maker is factory-switched, within 24 hours your refrigerator will have produced ice, discard the first production.

Note: Expect the first ice harvest within first 24 hours of unit operation. To prevent any issues concerning ice production, please ensure that all water lines are primed. See “Priming the water supply system “in the “AUTOMATIC ICE & WATER DISPENSER” section.

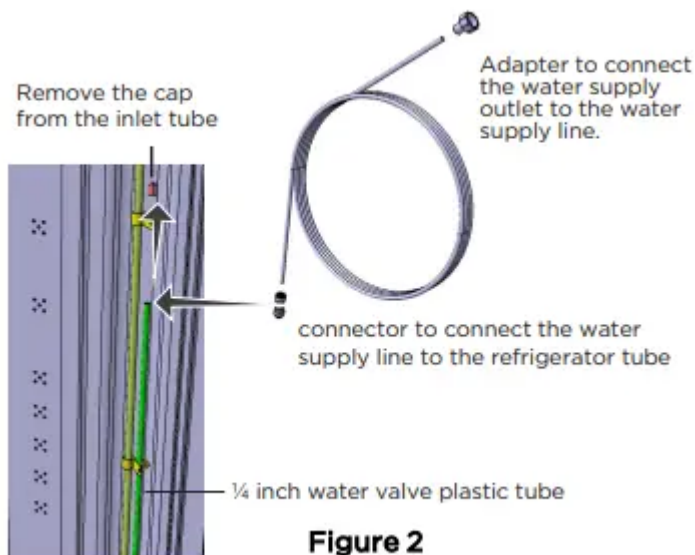


Figure 2

IMPORTANT

Your refrigerator's water supply system includes several tubing lines, a water filter, and a water valve. To ensure that your water dispenser works properly, this system must be completely filled with water when your refrigerator is first connected to the household water supply line.

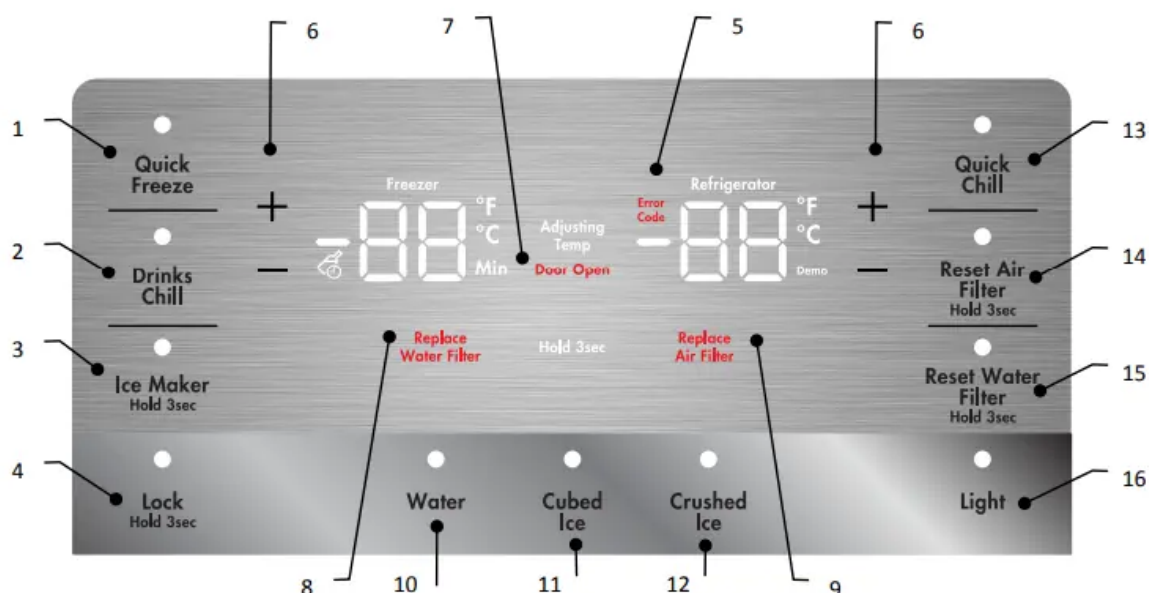
Water Filter

The water filter should not be used on water that is micro biologically unsafe or with water of unknown quality. The service life of the filter may be reduced in water supplies that contain an excess of particles or other impurities. Reduced flow rate is an indication that a new filter is required. Failure to replace the filter when required can affect the function of the ice maker. Service calls caused by a failure to replace the filter are not covered by warranty. Replacement water filters are available from Electrolux Home Products Spare Parts Centres and can be posted to you for your convenience (refer to spare parts contact numbers on the warranty page).

CONTROLS

ABOUT THE USER INTERFACE

Controls –External User interface



1. Quick Freeze (on/off)

Activates a faster rate for freezing food in the freezer. Deactivates after 12 hours.

2. Drinks Chill

Quickly chills a drink inside the freezer compartment. Touch the Drinks Chill Key, a time value will display on the freezer temp display (in minutes) and can be changed using the +/- buttons. A tone will sound when the time has been input. Range is from 20-45 minutes in 5 minute intervals.

3. Ice Maker

When LED is lit, the ice maker is on. When ice maker is in OFF state, the indicator will blink when dispensing ice. Press and hold for 3 seconds to turn ice maker on/off.

4. Lock

Press and hold for 3 seconds to enable/disable. While in the locked state, you will not be able to change any settings on the display nor dispense ice and water. The indicator will flash and an audible warning tone is played.

5. Error Code

Display show error code

6. Adjusting Temp

- Press either the + or - to adjust to desired temperature setting.
- Freezer temp - Control temperatures range
 - From -23°C to -15°C.
- Refrigerator temp - Control temperatures range
 - From +1°C to +7°C.

7. Door Open

Illuminates and sounds an alarm when the door is left open for 5 minutes or more. It stays illuminated as long as the door is open. Pressing any key will mute and reset the alarm.

8. Replace Water Filter

Display illuminates every 6 months or when filter needs replacing. Press and hold 'Reset Water Filter' for 3 seconds to reset.

9. Replace Air Filter

Display illuminates every 6 months or when filter needs replacing. Press and hold 'Reset Air Filter' for 3 seconds to reset.

10. Water

Press the "water" key to select water. An indicator light will be illuminated above the active feature.

11. Cubed Ice

Press the "cube" key to select cubed ice. An indicator light will be illuminated above the active feature.

12. Crushed Ice

Press the "crush" key to select crushed ice. An indicator light will be illuminated above the active feature.

13. Quick Chill

Quick chill is a faster rate for chilling food in the refrigerator compartment. Deactivates after 6 hours.

14. Reset Air Filter

After replacing filter, press and hold for 3 seconds to reset.

15. Reset Water Filter

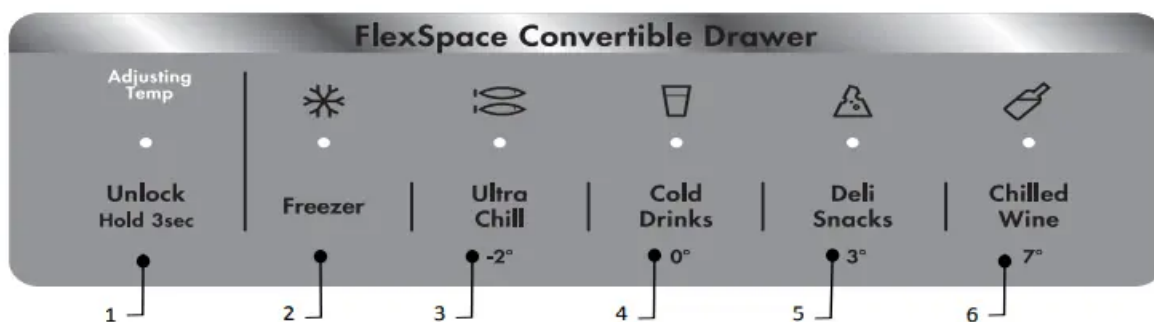
After replacing filter, press and hold for 3 seconds to reset.

16. Lighting

Toggles dispenser light On and Off.

ABOUT THE USER INTERFACE

Controls – Internal User interface



1. Unlock

The interface will automatically lock after 3 seconds without any interaction. Press and hold 3 seconds to unlock the interface. A tone will sound to confirm your choice.

2. Freezer

Choosing Freezer will set drawer temperature to the same temperature as the freezer compartment. A tone will sound to confirm your choice.

3. Ultra Chill

Choosing Ultra Chill will set drawer temperature to -2°C. A tone will sound to confirm your choice.

4. Cold Drinks

Choosing Cold Drinks will set drawer temperature to 0°C. A tone will sound to confirm your choice.

5. Deli Snacks

Choosing Deli Snacks will set drawer temperature to 3°C. A tone will sound to confirm your choice.

6. Chilled Wine

Choosing Chilled Wine will set drawer temperature to 7°C. A tone will sound to confirm your choice.

Note: Features may vary according to model. Double freezer model does not have this user interface.

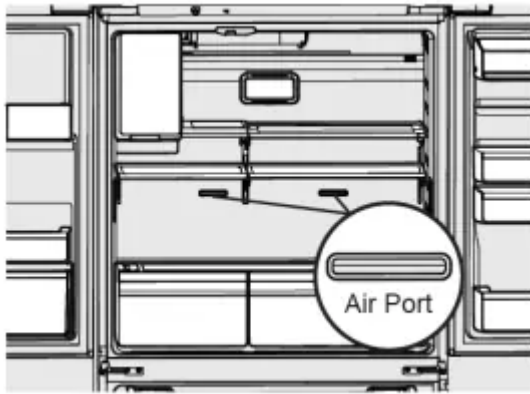
Setting cooling temperatures

Note: The recommended settings for a product installed in a kitchen is 3°C for the fresh food compartment and -17°C for the freezer.

IMPORTANT

If your product has food freezing in the fresh food compartment, increase the temperature setting 1 or 2 degrees Celsius.

If you place food within 1 inch in front of the air ports, there may be the chance of freezing food.



Note: Control features and alarms may vary by model

Alerts and Alarms

Water Filter

When illuminated, the water filter needs to be replaced. Change the water filter every 6 months or when 120 gallons of water has been dispensed. To reset, press and hold button for 3 seconds. Tone will sound once it has been reset.

Air Filter Installation

First operation the refrigerator need to installation the air filter which storage at crisper left side and follow installation method as below

Carbon activated air filter

1. Remove plastic wrap.
2. Install filter according to your refrigerator's use&care guide.
3. Reset filter reminder light on your refrigerator.
4. Replace filter every 6 months

When illuminated, air filter needs to be replaced. Change the air filter every 6 months. To reset, press and hold button for 3 seconds. Tone will sounds once it has been reset.

Door Open

If a door has been left open for 5 minutes or more, an alarm will sound and the door open indicator will illuminate on the display. The alarm can be turned off by closing the door or pressing any key. Control panel will return to normal operation after the door is closed.

Error Tone

An alarm will sound if the user tries to make a selection that is not available.

Sabbath Mode

The Sabbath Mode is a feature that disables portions of the refrigerator and its controls in accordance with observance of the weekly Sabbath and religious holidays within the Orthodox Jewish community.

Sabbath Mode is turned ON and OFF by simultaneously pressing and holding both the “-” (freezer side) and “+” (refrigerator side) for five seconds. Other than the High Temp alarm, no audible sounds will occur until the user exits the Sabbath mode. The display shows “Sb” while in Sabbath mode.

In the Sabbath Mode, the High Temp alarm is active for health reasons. For example,

If the door is left ajar the High Temp alarm is activated. The refrigerator will function normally once the door is closed, without any violation of the Sabbath/Holidays. The High Temp alarm is permitted when cabinet temperature is outside the safe zone for 20 minutes. The alarm silences itself after 10 minutes while the High Temp icon stays lit until the Sabbath mode is exited.

Note: While in Sabbath Mode, neither the lights, dispenser, nor the control panel will work until Sabbath Mode is deactivated.

Refrigerator stays in Sabbath Mode after power failure recovery. It must be deactivated with the buttons on the control panel.

Although you have entered the Sabbath Mode, the ice maker will complete the cycle it had already initiated. The ice cube compartment will remain cold and new ice cubes can be made with standard trays.

AUTOMATIC ICE & WATER DISPENSER

Using the ice maker after installation

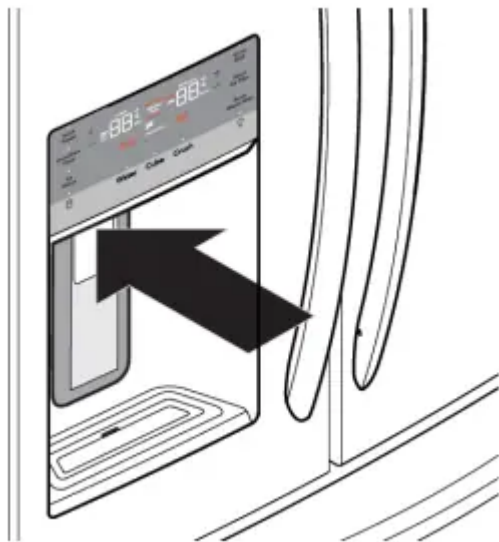
Before making ice for the first time, be sure to prime the water supply system. Air in new plumbing lines can result in two or three empty ice maker cycles. Furthermore, if the system is not flushed, the first ice cubes may be discolored or have an odd flavor.

Priming the water supply system

CAUTION

For proper dispenser operation, recommended water supply pressure should fall between 30 psi and 100 psi. Excessive pressure may cause the system to malfunction.

1. Begin filling the system by pressing and holding a drinking glass against the dispenser.
2. Keep the glass in this position until water comes out of the dispenser. It may take about 1½ minutes.
3. Continue dispensing water for about four minutes to flush the system and plumbing connections of any impurities (stopping to empty the glass as necessary)



Dispenser

Note: The water dispenser has a built-in device that shuts off the water flow after three minutes of continuous use. To reset this shut-off device, simply release the dispenser paddle.

Only the first 26 ounces (750 ml) of dispensed water is chilled.

Ice maker operation & care

After the refrigerator is installed properly and has cooled for several hours, the ice maker can produce ice within 24 hours. The ice maker will fill the ice bin from the rear. You must dispense some ice to force the ice forward in the bin. This will allow the bin to fill completely.

Ice Maker and Storage Bin Capacity

This ice maker should produce 2.5 to 3 pounds of ice per 24 hours. The ice bin will hold about 4 pounds of ice.

Turning the ice maker on and off

IMPORTANT Your ice maker is turned on at the factory so it can work as soon as you install your refrigerator. If you cannot connect a water supply, set the ice maker's On/Off feature to Off; otherwise, the ice maker's fill valve may make a loud chattering noise when it attempts to operate without water.

Ice production is controlled by the ice maker's On/Off feature on the control panel. Pressing the On/Off feature turns the ice maker on & off

Note: The ice maker also has a built-in plastic signal arm that automatically stops ice production when the ice bin is full. This signal arm should not be used to manually stop the ice maker

On occasion, unusually small ice cubes may be noticed in the bucket or in dispensed ice. This could occur in normal operation of the ice maker. If you start seeing these more frequently, it may be an indication of low water pressure, or that the water filter needs to be replaced. As the water filter nears the end of its useful life and becomes clogged with particles, less water is delivered to

the ice maker during each cycle. Remember, if it has been six months or longer since you last changed your water filter, replace the water filter with a new one. Poor quality household water may require the filter to be changed more frequently.

Ice maker/dispenser tips

- If your refrigerator is not connected to a water supply or the water supply is turned off, turn off the ice maker as described in the previous section.
- The following sounds are normal when the ice maker is operating:
 - Motor running
 - Ice dropping into ice bin
 - Water valve opening or closing
 - Running water
- If you need a large quantity of ice at one time, it is best to get cubes directly from the ice bin.
- Ice cubes stored too long may develop an odd flavor. Empty the ice bin as explained below.
- When dispensing cubed ice, it is normal to have a small quantity of little pieces along with the whole cubes. To avoid splashing, dispense ice into your container before adding liquids.
- It is normal for ice to fill to the top of the ice bin.

CAUTION If the water supply to your refrigerator is softened, be sure the softener is properly maintained. Chemicals from a water softener can damage the ice maker.

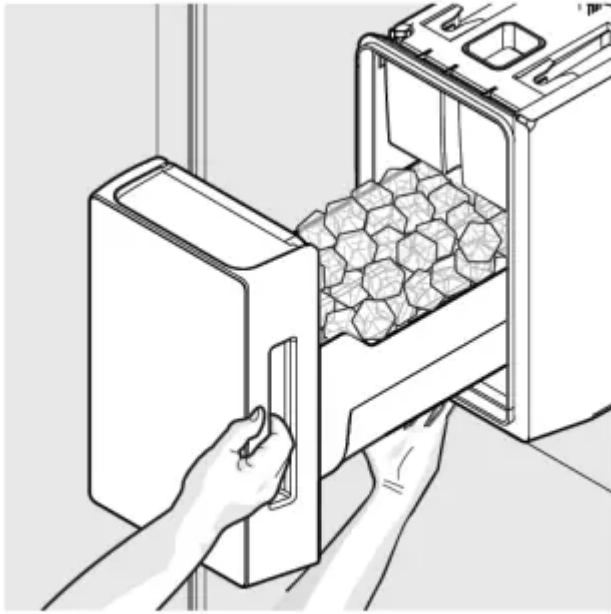
Cleaning the ice maker

Clean the ice maker and ice bin at regular intervals, especially prior to vacation or moving.

1. Turn off the icemaker.
2. Remove the ice bin by pulling straight out.
3. Empty and carefully clean the ice bin with mild detergent. Do not use harsh or abrasive cleaners. Do not place in dishwasher. Rinse with clear water.
4. Allow the ice bin to dry completely before placing it back into the freezer.
5. Place ice bin back into position. Turn the ice maker on.

Remove and empty the ice bin if:

- An extended power failure (one hour or longer) causes ice cubes in the ice bin to melt and refreeze together after power is restored, jamming the dispenser mechanism.
- You do not use the ice dispenser frequently. Ice cubes will freeze together in the bin, jamming the dispenser mechanism.



Removing Ice Bin

Remove the ice bin and shake to loosen the cubes or clean as explained above.

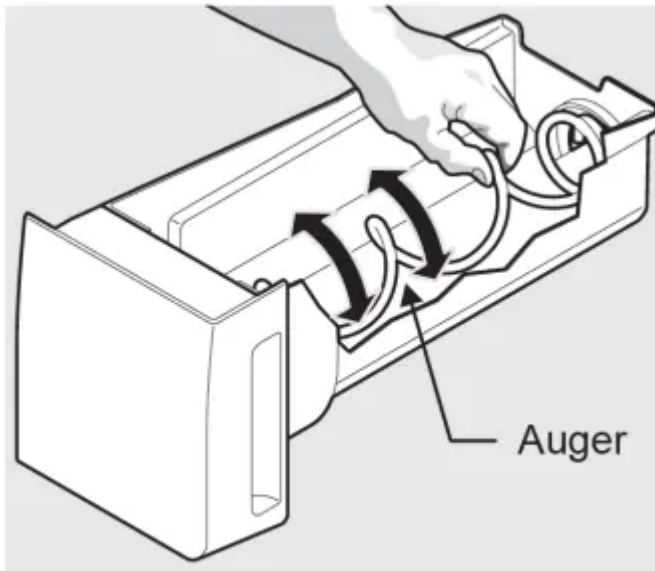
CAUTION

NEVER use an ice pick or similar sharp instrument to break up the ice. This could damage the ice bin and dispenser mechanism.

To loosen stuck ice, use warm water. Before replacing the ice bin, make sure it is completely dry

IMPORTANT

When removing or replacing the ice bin, avoid rotating the auger in the ice bin. If the auger is accidentally rotated, you must realign the auger by turning it in 45 degree turns (see below) until the ice bin fits into place with the drive mechanism. If the auger is not properly aligned when replacing the ice bin, the refrigerator will not dispense ice. The fresh food door also may not close properly causing warm air to leak into the fresh food compartment



Adjusting the Ice Bin Auger

STORAGE FEATURES

CAUTION

To avoid personal injury or property damage, handle tempered glass shelves carefully. Shelves may break suddenly if nicked, scratched, or exposed to sudden temperature change. Allow the glass shelves to stabilize to room temperature before cleaning. Do not wash in dishwasher.

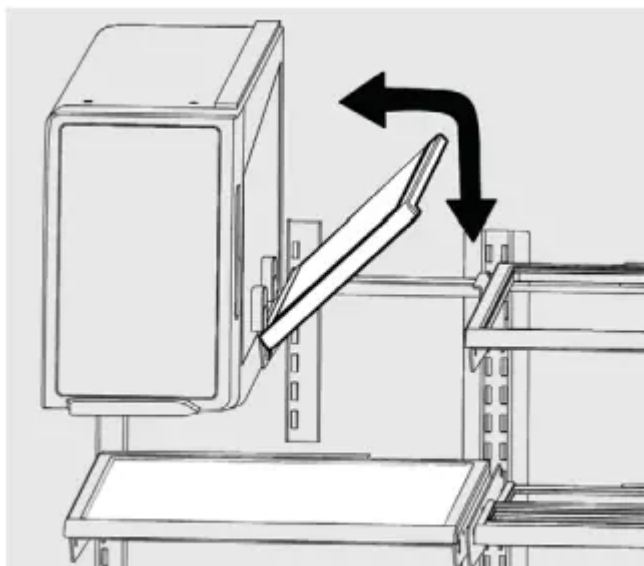
You can easily adjust shelf positions in the fresh food compartments to suit your needs. The shelves have mounting brackets that attach to slotted supports at the rear of each compartment.

To change a shelf position:

1. Remove all food from shelf.
2. Lift the front edge up and pull the shelf out.
3. Replace by inserting the mounting bracket hooks into the desired support slots.
4. Lower the shelf and lock into position.

To adjust the flip shelf:

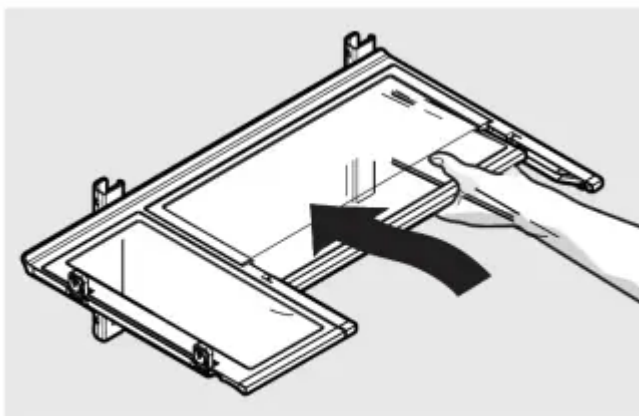
1. Remove food from shelf.
2. Lift the right side edge of shelf upwards and push to the left towards ice make



Flip Shelf

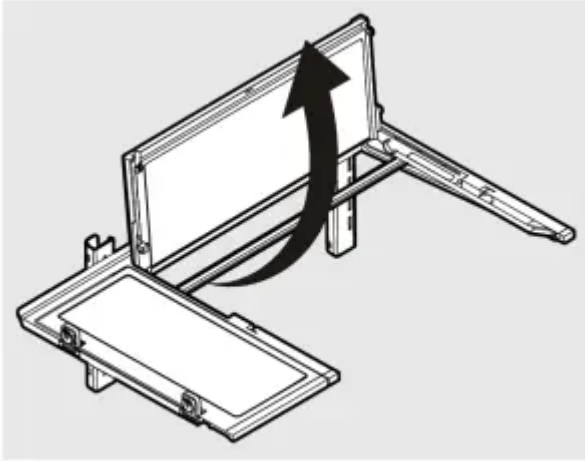
To adjust the slide-under/flip shelf:

1. Pull front half shelf forward until its back drops down, then gently push front half shelf back and under back half shelf.



Slide-Under/Flip Shelf

2. With front half fully below back half, lift front of shelf to flip it upwards toward the back of the cabinet.



Slide-Under/Flip Shelf

Drawers

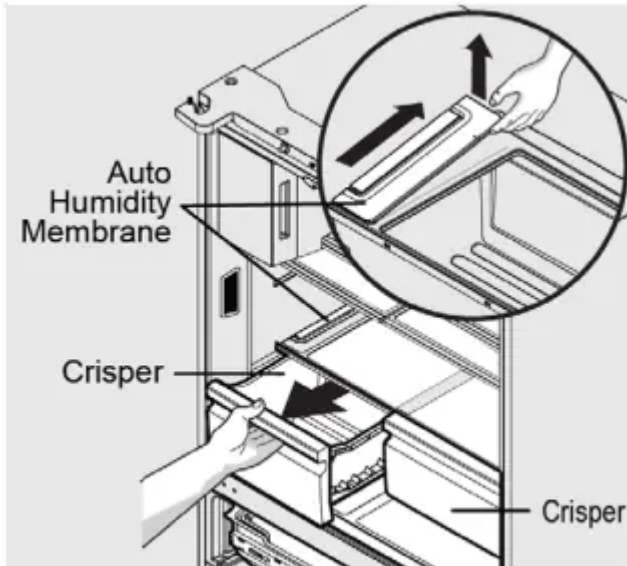
Your refrigerator includes a variety of storage drawers

FreshSeal™ Crisper (with automatic humidity control)

Crisper drawers are designed for storing fruits, vegetables, and other fresh produce. Crispers have an auto humidity control (with replaceable membrane) on the side of each crisper under the humidity control cover.

To remove the auto humidity control membrane:

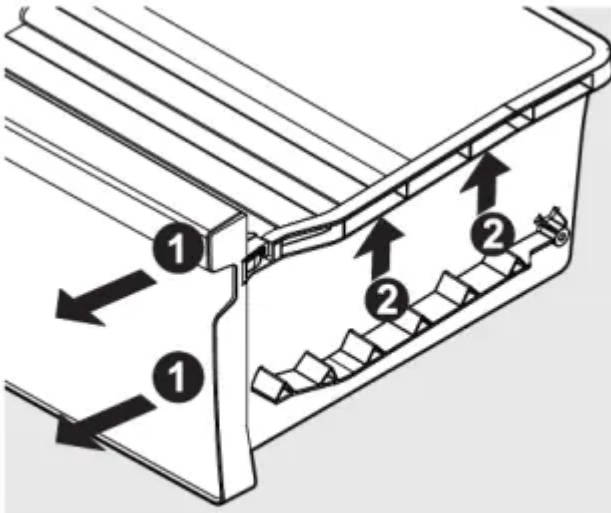
1. Reach to back of humidity control cover.
2. Pull up on cover.
3. Pull cover towards back of cabinet and remove.
4. Replace humidity membrane.
5. Replace cover by reversing the steps above. Repeat for both crispers.



Opening the Crisper Drawer

To remove the FreshSeal™ Crisper for cleaning:

1. Pull the drawer out until it stops.
2. Lift the front slightly and remove the drawer.

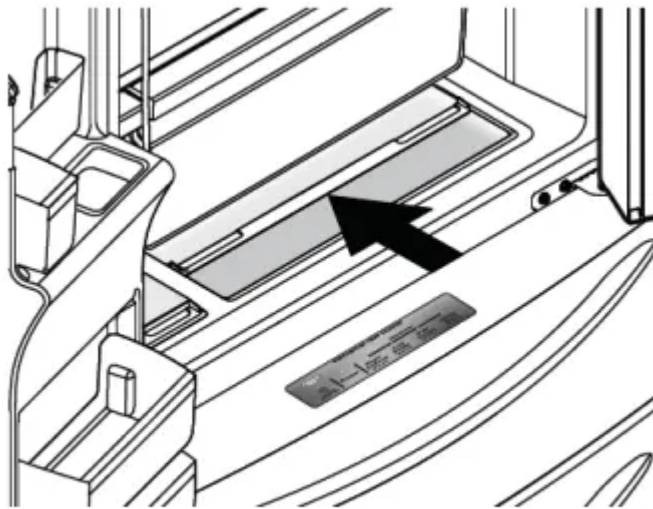


Removing the FreshSeal™ Crisper

Recessed SnackZone

This drawer is ideal for storage of deli meats and cheese.

Slide back the cover to allow access to the drawers.



Opening the SnackZone

Doors

Storage bins

The doors to your fresh food compartment use a system of modular storage bins. All of these bins are removable for easy cleaning. Bins can be adjusted to your needs.

Door bins are ideal for storing jars, bottles, cans, and large drink containers. They also enable quick selection of frequently used items.

Adjustable door bins

Some models have adjustable door bins that can be moved to suit individual needs.

To adjust the collapsible door bin:

1. Make sure bin is securely seated on rail in door.
2. Grab one side of bin and place other hand on adjustable side.
3. Pull on side of bin until the bin is adjusted to desired width

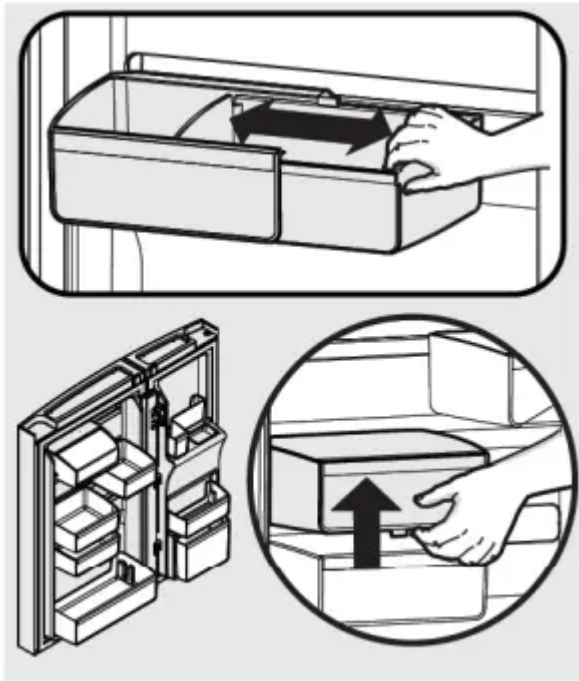
Note: It can be difficult to pull out the collapsible bin. Some force may be required.

To move door bin along a rail:

1. Tilt bin up so the back of the bin is off the door but the hook is still engaged.
2. Slide bin along rail to desired position.
3. Lower bin back into place.

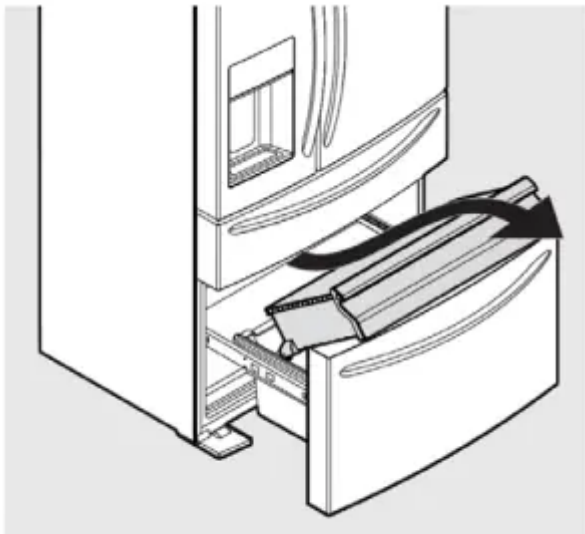
To move door bin from rail to rail:

1. Lift bin up disengaging the hook.
2. Move bin to desired rail location.
3. Push bin hook into rail engaging the hook



Adjustable Door Bins

Freezer Features (varies by model)



Freezer Basket

To remove upper freezer basket:

1. Open freezer compartment completely.
2. Lift up and out to remove upper freezer basket.

Reverse the steps to reinstall basket.

IMPORTANT

There are wheels on the bottom of the drawer. Make sure all wheels are aligned on their respective tracks for proper function. If drawer is not aligned properly, it will cause problems with the door operation.

Note: If basket is not resting on stabilizer bar retainer clips, the drawer will not close properly.

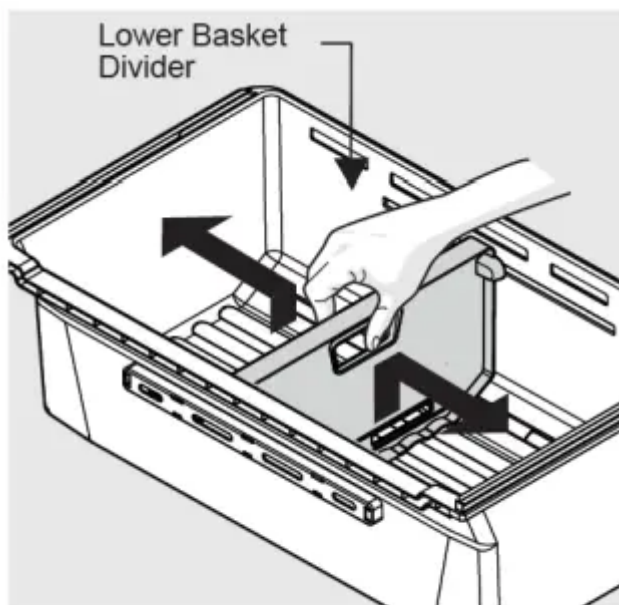
To remove lower freezer basket:

1. Open freezer compartment completely.
2. Lift the basket up and remove.

Reverse the steps to reinstall drawer.

Dividers

Grab hand hold on lower divider and pull up slightly to slide to next position. (The divider cannot be removed.)



Lower Basket Divider

CLEANING YOUR REFRIGERATOR

WARNING

BEFORE CLEANING: Turn the refrigerator off at the power point and unplug the cord to prevent any chance of electrocuting yourself.

Doors and exterior (white and silver):

You should only clean the doors with lukewarm soapy water and a soft cloth.

Stainless Steel:

Your stainless steel refrigerator is manufactured from mark-resistant stainless steel. This stainless steel has a special advanced protective coating that eases the removal of marks such as

fingerprints and water spots. To keep its appearance, clean it regularly with lukewarm soapy water and a soft cloth.

CAUTION

Never use stainless steel cleaners, abrasive pads or other cleaners that will scratch the surface. Damage to the appliance after delivery is not covered by your warranty

Interior

Clean the inside of your refrigerator regularly with a soft cloth, unscented mild soap and lukewarm water. Thoroughly dry all surfaces and removable parts and avoid getting water on the controls. Replace removable parts, plug power cord in and switch the power on before returning the food.

Door seals

Always keep door seals clean by washing them with a mild detergent and warm water, followed by a thorough drying. Sticky food and drink can cause seals to stick to the cabinet and tear when you open the door.

Never use hot water, solvents, commercial kitchen cleaners, aerosol cleaners, metal polishes, caustic or abrasive cleaners, or scourers to clean your refrigerator. Many commercially available cleaning products and detergents contain solvents that will damage your refrigerator. Use only a soft cloth with an unscented mild soap and lukewarm water.

CAUTION To clean a crisper or freezer bin with telescopic extension slides, simply wipe with a damp cloth and warm soapy water. Never immerse the cover in water, as this could affect the operation of the slide.

Switching off your refrigerator

If you switch off your refrigerator for an extended period, follow these steps to reduce the chances of mould.

1. Remove all food.
2. Remove the power plug from the power point.
3. Thoroughly clean and dry the Interior.
4. Ensure that all the doors are wedged open slightly for air circulation.

CHANGING THE FILTER

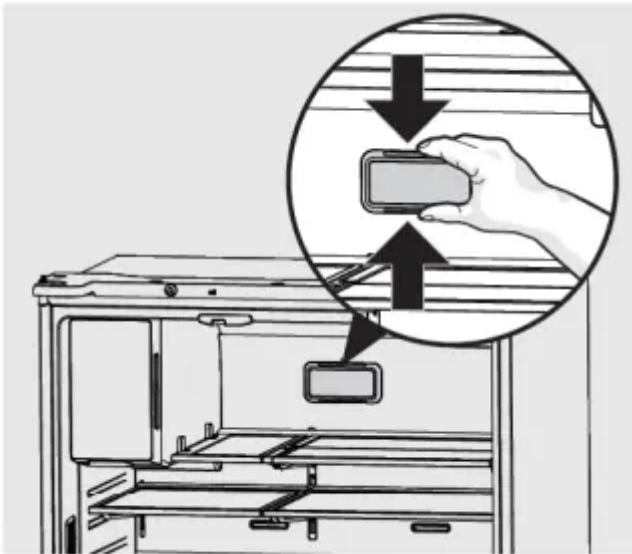
Air Filter (select models)

The air filter is located in the top center of the fresh food compartment.

Replacing your Air Filter

To ensure optimal filtering of refrigerator odors, you should change the air filter six months (The filter status light on the Touch Panel prompts you to replace the filter after six month)

1. Remove the air filter cover by squeezing the sides of the cover together and removing from liner
2. Remove the old filter and discard it.
3. Unpack the new filter and slide it into the housing. The open face must (carbon media) of the filter should be installed facing the air port (hole) in the multiflow.
4. Replace the air filter cover by squeezing the sides and snapping it back into place.
5. Press and hold the “Reset Air Filter” button on the control panel for three seconds. When the LED turns off, the status has been reset.

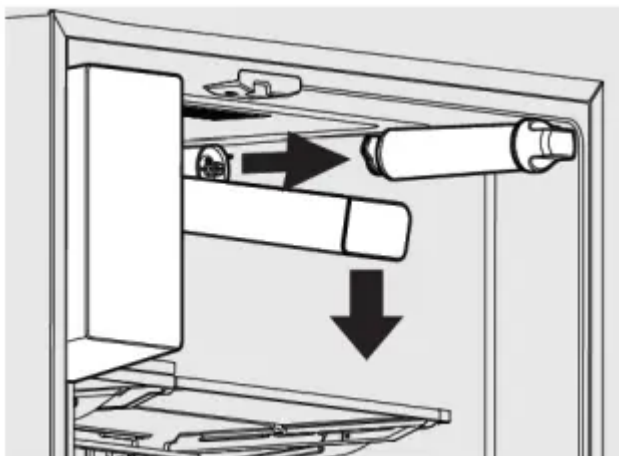


Water Filter (selected models)

Your refrigerator is equipped with a water filtering system. The water filtering system filters all dispensed drinking water, as well as the water used to produce ice. The water filter is located at the top right side of the fresh food compartment.

In general, you should change the water filter every six months to ensure the highest possible water quality. Water filter status on the user interface prompts you to replace the filter after a standard amount of water (125 g gallons/473 liters) has flowed through the system.

If your refrigerator has not been used for a period of time (during moving for example), change the filter before reinstalling the refrigerator



Note: When ordering your replacement filter, please reorder the same filter type that is currently in your refrigerator.

Replacing the Water Filter

To Remove: Pull cover towards you and cover will drop down and allow access to filter.

To Reinstall: Push cover up towards liner and then push towards rear of cabinet. Filter cover will snap back into place.

It is not necessary to turn the water supply off to change the filter. Be ready to wipe up any small amounts of water released during the filter replacement

1. Ensure that the ice maker is turned off
2. Remove the filter by turning anti-clockwise 180°
3. Slide the old water filter cartridge straight out of the housing and discard it.
4. Unwrap the new filter cartridge and using the alignment guide, slide it gently into filter housing until it stops against the filter connection at the back of the housing.
5. Engage the filter by firmly rotating clockwise until the filter snaps into position (once engaged the filter cannot be rotated further).
6. Press a drinking glass against the water dispenser while checking for any leaks at the filter housing. Any spurts and sputters that occur as the system purges air out of the dispenser system are normal.
7. After filling one glass of water, continue flushing the system for about four minutes.
8. Turn on the ice maker.
9. When the filter has been replaced press and hold the 'Reset Water Filter' button for three seconds to reset the filter replace timer.
10. Replace filter cover by pushing up and snapping into place

FOOD STORAGE GUIDE

MEAT

Sausages and Mince

- Refrigerator: 1-2 Days
- Ultra Chill: 3-5 Days
- Freezer: 2-3 Months

Chops and Steak

- Refrigerator: 3-4 Days
- Ultra Chill: 5-7 Days
- Freezer: 4-6 Months

Cold Meats

- Refrigerator: 3-5 Days
- Ultra Chill: 5-7 Days
- Freezer: 4-6 Months

Roasts

- Refrigerator: 3-5 Days
- Ultra Chill: 1 week
- Freezer: 12 Months

→ Storage Tips:

- Keep cold meat at the back of the refrigerator where it is coldest.
- Plastic can cause meat to sweat if stored in refrigerator for more than a day.
- Roast can take up to 48 hours to defrost properly, transfer frozen roast to the refrigerator 2 days before use.

POULTRY

Chicken

- Refrigerator: 1-2 Days
- Ultra Chill: 5-7 Days
- Freezer: 2 Months

Roast Chicken

- Refrigerator: 3-5 Days
- Ultra Chill: 1 week

- Freezer: 12 Months

Eggs

- Refrigerator: 6 Weeks
- Ultra Chill: Not Suitable
- Freezer: Not Suitable

→ Storage Tips:

- If poultry takes on a smell or colour you are unsure about it is best to throw it out.
- Whole eggs are not suitable for freezing, slightly beaten eggs may be frozen for four months.

SEAFOOD

- Whole fish and fillets
- Refrigerator: 2-3 Days
- Ultra Chill: 5-7 Days
- Freezer: 2 Months

Lobster and Crab

- Refrigerator: 1-2 Days
- Ultra Chill: 3-5 Days
- Freezer: 2 Months

Prawns

- Refrigerator: 1-2 Days
- Ultra Chill: 3-5 Days
- Freezer: 2 Months

→ Storage Tips:

- Store in an airtight container or foil.
- Never freeze prawns in salty water as this will dehydrate the flesh.

DAIRY

Milk

- Refrigerator: Until Expiry Date
- Ultra Chill: Not Suitable
- Freezer: Not Suitable

Yoghurt

- Refrigerator: 7- 10 Days

- Ultra Chill: Not Suitable
- Freezer: Not Suitable

Hard Cheeses

- Refrigerator: 2 Weeks – 2 Months
- Ultra Chill: 1-2 Months
- Freezer: 2 Months (Grated)

Soft Cheeses

- Refrigerator: 1-2 Weeks
- Ultra Chill: 2-4 Weeks *
- Freezer: Not Suitable

Butter

- Refrigerator: 8 Weeks
- Ultra Chill: 3-4 Months
- Freezer: 12 Months

→ Storage Tips:

- If dairy takes on a smell or colour and you are unsure about it, it is best to throw it out.
- Depending on the variety hard cheese can last from 2 weeks to 2 months.
- * Texture may change depending of the type of soft cheese

FRUIT & VEGETABLES

Every fruit and vegetable has a different shelf life. Some stay fresh for a couple of days e.g. beans, others can last for a couple of months e.g. onions.

Ultra Chill: Not Suitable

Freezer: 8-12 Months When freezing chop and blanch in small portions.

→ Storage Tips:

Keep vegetables in the crisper and away from the air vents to avoid freezing.

If you wash fruit and vegetables before storing them make sure they are dry or wrap in absorbent paper before storing in the refrigerator as this can make them susceptible to rotting.

Try to keep fruit and vegetables separated as fruits that give off high levels of ethylene (the ripening agent) can prematurely ripen and spoil surrounding vegetables

IMPORTANT * Please note, use this information as a guide only, actual storage times will vary depending on how you use your refrigerator.

CARE & CLEANING

Interior & Door Liners

- Soap and water
- Baking soda and water
 - Use two tablespoons of baking soda in one quart of warm water. Be sure to wring excess water out of sponge or cloth before cleaning around controls, light bulb or any electrical part.

Door Gaskets

- Soap and water
 - Wipe gaskets with a clean soft cloth.

Drawers & Bins

- Soap and water
 - Use a soft cloth to clean drawer runners and tracks.

Glass Shelves

- Soap and water
- Glass cleaner
- Mild liquid sprays
 - Allow glass to warm to room temperature before immersing in warm water.

Exterior & Handles

- Soap and water
- Non Abrasive Glass Cleaner
 - Do not use commercial household cleaners containing ammonia, bleach or alcohol to clean handles. Use a soft cloth to clean smooth handles or exterior. DO NOT use a dry cloth to clean smooth doors.

Exterior & Handles (Stainless Steel Models Only)

- Soap and water
- Stainless Steel Cleaners
 - ***Never use CHLORIDE or cleaners with bleach to clean stainless steel.***
 - Clean stainless steel front and handles with non-abrasive soapy water and a dishcloth. Rinse with clean water and a soft cloth. Use a non-abrasive stainless steel cleaner. These cleaners can be purchased at most home improvement or major department stores. Always follow manufacturer's instructions. Do not use household cleaners containing ammonia or bleach.

- **NOTE:** Always clean, wipe and dry with the grain to prevent scratching. Wash the rest of the cabinet with warm water and mild liquid detergent. Rinse well, and wipe dry with a clean soft cloth.

TROUBLESHOOTING

Automatic Ice Maker

Ice maker is not making any ice.

- Potential Cause:
 - Ice maker is turned off.
 - Refrigerator is not connected to water line or water valve is not open.
 - The water supply line is kinked.
 - The water filter is not seated properly.
 - The water filter may be clogged with foreign material.
- Common Solution:
 - Turn on ice maker. For the fresh food ice maker, press ice maker on-off button once.
 - Connect the unit to the household water supply and ensure the water valve is open.
 - Ensure that the supply line does not kink when the refrigerator is pushed into place against the wall.
 - Remove and re-install the water filter. Be sure to seat it fully into the locked position.
 - If water dispenses slowly or not at all, or if the filter is six months old or older, it should be replaced.

Ice maker is not making enough ice.

- Potential Cause:
 - Ice maker is producing less ice than you expect.
 - The water filter may be clogged with foreign material.
 - The water supply line is kinked.
 - Water pressure is extremely low. Cutoff and cut-on pressures are too low (well systems only).
 - Reverse osmosis system is in regenerative phase.

- Common Solution:
 - The ice maker will produce approximately 2.3 pounds of ice every 24 hours depending on usage conditions.
 - If water dispenses slower than normal, or if the filter is six months old or older, it should be replaced.
 - Ensure that the supply line does not kink when the refrigerator is pushed into place against the wall.
 - Have someone turn up the cut-off and cut-on pressure on the water pump system (well systems only).
 - It is normal for a reverse osmosis system to be below 20 psi during the regenerative phase.

Ice cubes are freezing together.

- Potential Cause:
 - Ice cubes are not being used frequently enough or interruption of power for prolonged time.
 - Ice cubes are hollow (shells of ice with water inside). The hollow cubes break open in the bin and leak their water onto existing ice, which causes it to freeze together.
- Common Solution:
 - Remove ice container and discard ice. The ice maker will produce fresh supply. Ice should be used at least twice weekly to keep the cubes separated.
 - This generally occurs when the ice maker does not get enough water. This is usually the result of a clogged water filter or restricted water supply. Replace the water filter and if the condition still occurs, check to see if the water valve is not turned on all the way or if there is a kinked water supply line.

Dispenser (Ice & Water)

Dispenser (Ice & water) not dispensing ice.

- Potential Cause:
 - There is no ice in the bin to be dispensed.
 - The refrigerator doors are not completely closed.
 - Dispenser paddle has been pressed too long and the dispenser motor has overheated
- Common Solution:
 - See the “Ice maker is not making any ice” section.

- Be sure the refrigerator doors are completely closed.
- The motor overload protector will reset in about three minutes and then ice can be dispensed

Ice dispenser is jammed.

- Potential Cause:
 - Ice has melted and frozen around auger due to infrequent use, temperature fluctuations, and/or power outages.
 - Ice cubes are jammed between ice maker and back of ice container.
- Common Solution:
 - Remove ice container, thaw, and empty the contents. Clean container, wipe dry, and replace in proper position. When new ice is made, dispenser should operate.
 - Remove ice cubes that are jamming the dispenser.

Dispenser (Ice & water) not dispensing water

- Potential Cause:
 - Water filter not seated properly.
 - Water filter is clogged.
 - Household water line valve is not open
- Common Solution:
 - Remove and reinstall the water filter. Be sure to rotate it to the right until it stops and the grip end is vertical.
 - Replace filter cartridge. Be sure to rotate it to the right until it stops and the grip end is vertical.
 - Open household water line valve. See CONCERN column AUTOMATIC ICE MAKER.

Water not cold enough.

- Potential Cause:
 - As warmer tap water goes through the filter and enters the water supply system, the chilled water is pushed through to the dispenser. Once the chilled water is used up, it will take several hours to bring the freshly replaced water to a cooler temperature
- Common Solution:
 - Add ice to cup or container before dispensing water.

Water has an odd taste and/or odor

- Potential Cause:
 - Water has not been dispensed for an extended period of time.
 - Unit not properly connected to cold water line.
- Common Solution:
 - Draw and discard 10-12 glasses of water to freshen the supply.
 - Connect unit to cold water line that supplies water to the kitchen faucet

Opening/Closing Of Doors/Drawer

Door(s) will not close.

- Potential Cause:
 - Door was closed too hard, causing other door to open slightly.
 - Refrigerator is not level. It rocks on the floor when moved slightly.
 - Refrigerator is touching a wall or cabinet.
 - Check gasket and cabinet interface for any obstructions.
- Common Solution:
 - Close both doors gently.
 - Ensure floor is level and solid, and can adequately support the refrigerator. Contact a carpenter to correct a sagging or sloping floor.
 - Ensure floor is level and solid, and can adequately support the refrigerator. Contact a carpenter to correct a sagging or sloping floor.
 - Clean the refrigerator door gaskets and interface with warm, soapy water to remove any grease, dirt and grime from the surface. Wipe clean with a dry cloth. Inspect the gasket to make sure it is thoroughly clean

Drawers are difficult to move

- Potential Cause:
 - Food is touching shelf on top of drawer.
 - Track that drawers slide on is dirty.
- Common Solution:
 - Remove top layer of items in drawer.
 - Ensure drawer is properly installed on track.
 - Clean drawer, rollers, and track. See Care & Cleaning.

Running of Refrigerator

Compressor does not run.

- Potential Cause:
 - Refrigerator is in defrost cycle.
 - Plug at electrical outlet is disconnected.
 - House fuse blown or tripped circuit breaker.
 - Power outage.
- Common Solution:
 - This is normal for a fully automatic defrost refrigerator. The defrost cycle occurs periodically, lasting about 30 minutes.
 - Ensure plug is tightly pushed into outlet.
 - Check/replace fuse with a 15 amp time-delay fuse. Reset circuit breaker.
 - Check house lights. Call local electric company.

Refrigerator seems to run too much or too long.

- Potential Cause:
 - Your variable speed compressor is designed to run 100% of the time except during the defrost cycle. At times it will run faster, such as after a defrost cycle.
- Common Solution:
 - It is normal for the compressor to run continuously except during defrost mode.

Digital Temperature Setting Display

Digital temperature displays an error.

- Potential Cause:
 - Electronic control system has detected a performance problem.
- Common Solution:
 - Call your Electrolux service representative, who can interpret any messages or number codes flashing on the digital displays.

Water/Moisture/Frost Inside Refrigerator

Moisture collects on inside of refrigerator walls.

- Potential Cause:
 - Weather is hot and humid.
 - Flipper mullion

- Common Solution:
 - The rate of frost buildup and internal sweating increases.
 - Adjust flipper mullion. (See “To adjust the flipper mullion” in the Installation section.)

Water collects on bottom side of drawer cover.

- Potential Cause:
 - Vegetables contain and give off moisture.
- Common Solution:
 - It is not unusual to have moisture on the bottom side of the cover.

Water collects in bottom of drawer.

- Potential Cause:
 - Washed vegetables and fruit drain while in the drawer
- Common Solution:
 - Dry items before putting them in the drawer. Water collecting in bottom of drawer is normal

Water/Moisture/Frost Outside Refrigerator

Moisture collects on outside of refrigerator or between doors.

- Potential Cause:
 - Weather is humid.
- Common Solution:
 - This is normal in humid weather. When humidity is lower, the moisture should disappear.

Food in Fresh Food Compartment

Food is freezing.

- Potential Cause:
 - Temperature setting is too low.
 - Temperature sensor is covered by food (right side of fresh food area).
 - Food is covering the air ports.
- Common Solution:
 - Move the setting to a higher degree.
 - Allow space for air flow to the sensor.

- Allow space between the air ports and the food.

SPECIFICATIONS

PRODUCT PROFILE

- Domestic warranty details (yrs): 2
- Additional domestic warranty to cover replacement of parts for the sealed refrigeration system (yrs): 3
- Refrigerator Type: french door
- Exterior door finish: Stainless steel
- Handle design: bar handle
- Fridge door opening : left and right
- Cooling system : frost free
- Freezer door opening : drawer
- Refrigerant R600a Dispenser : type ice and water
- Plumbed water supply required : Yes

DIMENSIONS

- Total height (mm) : 1782
- Cabinet height (mm) : 1756
- Total width (mm) : 913
- Cabinet width (mm): 908
- Total depth (mm): 803
- Cabinet depth (mm): 625
- Depth door open 90degree (mm): 1189
- Air space above cabinet (mm): 25
- Food compartment capacity (gross in litres): 413
- Total Gross Capacity (L) 681
- Food compartment capacity (net in litres): 363
- Freezer compartment capacity (gross in litres): 268
- Total Net Capacity (L): 541

ENERGY

- Energy Star Rating New: 3

- Energy consumption (KWhr/yr): 560

FOOD COMPARTMENT

SHELVING

- Shelf material: glass
- Type of shelf: spill safe shelf,adjustable shelf
- Flip up shelf: 1
- 1/3 width shelves: 1
- 2/3 width shelves :1

LIGHTING

- Feature lighting: LED
- Main light: LED

REFRIGERATOR SYSTEM

- Controls: electronic (with display)
- Controls location: internal
- Controls type: touch
- Control functions: quick freeze function,quick chill,lock,sabbath mode,ice maker
- Door alarm: fridge and freezer

CRISPERS

- Crisper lid/shelf: plastic
- Crispers Runner system: telescopic
- Crisper features: automatic humidity control,fully sealed
- 1/3 width crisper: 1
- 2/3 width crisper: 1

OTHER PROPERTIES

- Other Properties-FOOD COMPARTMENT: Egg tray,Snack zone

FOOD COMPARTMENT DOOR

BINS

- Deep bottle bin: 1
- Shallow bin: 2
- 1/3 width bins: 1
- Expandable bin: 1

SPECIAL COMPARTMENTS

- Small items bin: 1

MIDDLE COMPARTMENT

- Slide out drawer: 1
- Interior lamp: LED
- Function: Refrigerator and freezer
- Convertible drawer: Yes
- Temperature control maximum (°C): 7
- Temperature control minimum (°C): -23
- Preset temperature settings: 5
- Freezer (-23°C / -18°C): Yes
- Ultra Chill Yes Cold drinks (0°C): Yes
- Deli snacks (3°C) : Yes
- Wine and champagne (7°C): Yes
- Drawer divider: 1

DAIRY COMPARTMENT

- Half width, with lid: 1

EXTERNAL

- Dispenser through door: ice and water

FREEZER COMPARTMENT

ICE FACILITY

- Ice Maker: Automatic

BASKET

- Full width plastic basket: 1
- Basket Runner system: telescopic
- Drawer divider: 2
- Full width deep plastic basket: 1

LIGHTING

- Main light: LED

Warning

This content is compiled from multiple sources and is provided for reference purposes only. It may not be complete or fully applicable to all situations. If you are unable to resolve your issue, please contact the product manufacturer or an authorized service provider for official support.

Document generated by [ManualsFile](#)

