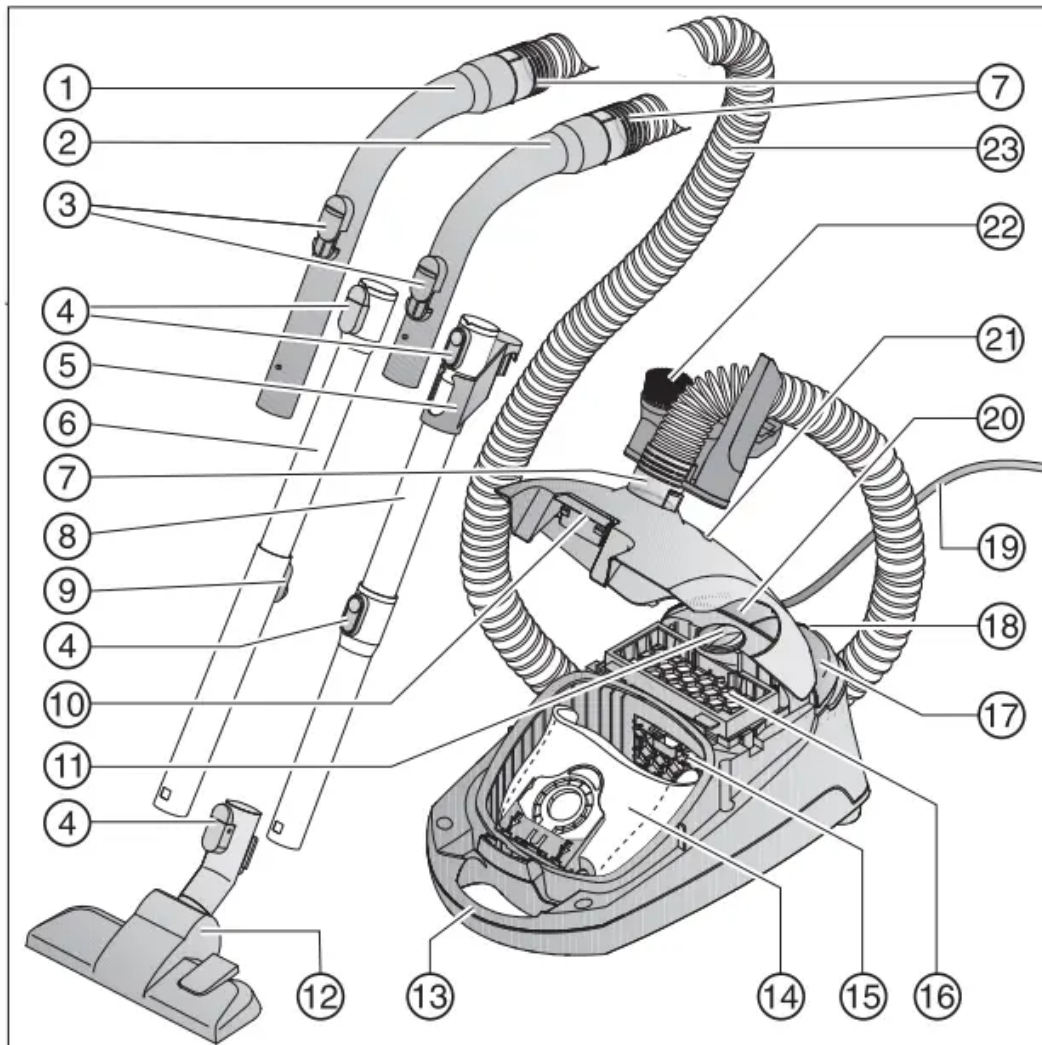


Appliance description



1. XXL handle *
2. Handle *
3. Air inlet valve
4. Release buttons *
5. Connection piece for storage *
6. Telescopic suction wand *
7. Hose connection socket
8. EasyLock suction wand *
9. Telescopic suction wand release mechanism *
10. Dust compartment lid release button
11. Suction power selector

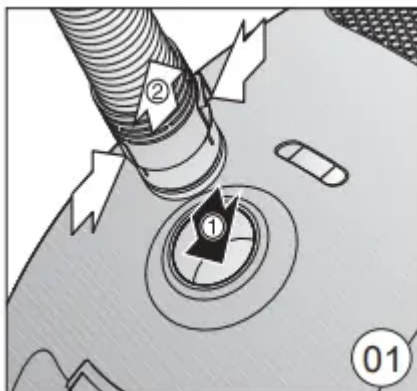
12. Floorhead *
13. Carrying handle
14. Original Miele FilterBag
15. Motor protection filter
16. AirClean filter *
17. On/off ⓘ foot switch
18. Park system for pauses during vacuuming
19. Power cord
20. Foot switch for automatic cord rewind
21. FilterBag change indicator
22. Accessories holder with three accessories
23. Suction hose

Underneath - suction wand holder (not illustrated)

* These features are model-specific and may vary or may not be available on your vacuum cleaner

Preparing for use

Attaching the suction hose (Fig. 01)

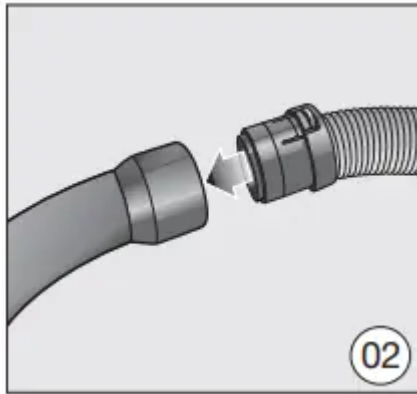


1. Insert the hose connector into the suction socket on the vacuum cleaner until it clicks into position.

Remove the suction hose

2. Press both release buttons at the side of the hose connector and lift the hose from the socket .

Connect the suction hose to the handle (Fig. 02)

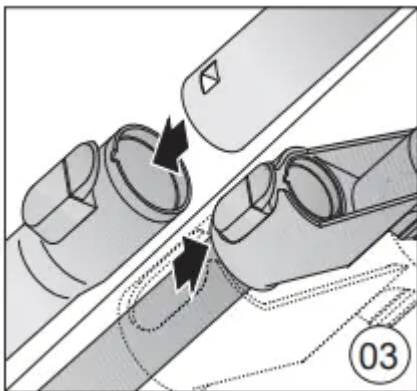


- Fit the connector at the other end of the suction hose into the handle until it clicks into position.

Your vacuum cleaner is fitted with one of the following suction wands, depending on model.

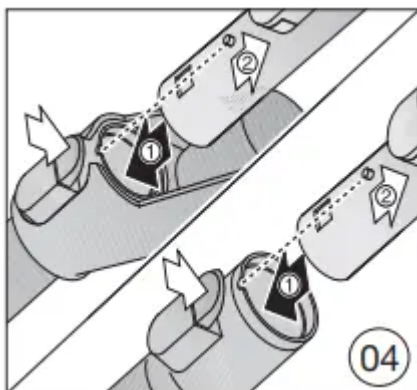
- EasyLock suction wand
- Comfort telescopic suction wand

To assemble the EasyLock wand (Fig. 03)



- Hold the suction wand by the connection piece and push it into the second suction wand, turning it clockwise or counter-clockwise until it clicks into position.
- Slide the connection piece upwards until it clicks into position.

Connecting the handle to the wand (Fig. 04)

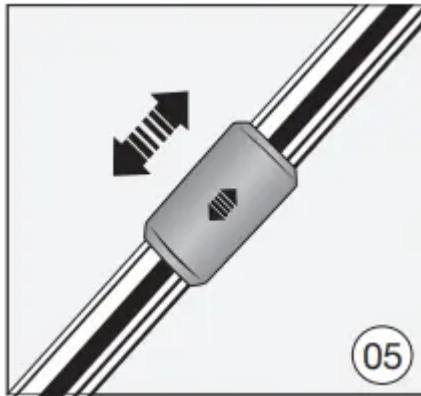


1. Insert the handle into the suction wand until it clicks into position. To do this, line up the guides on the two pieces.

To detach the handle

2. To release the handle from the wand, press the release button and pull the handle out of the wand, twisting it slightly as you do so.

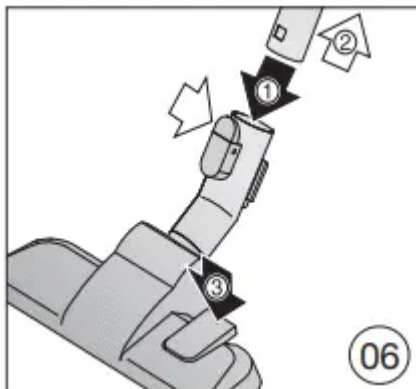
Adjusting the telescopic suction wand (Fig. 05)



One part of the telescopic suction wand is packed inside the other and it can be adjusted to suit your height for comfortable vacuuming.

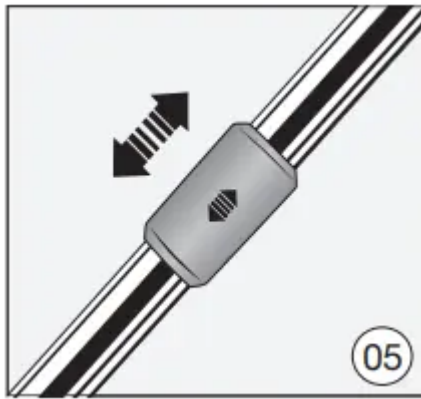
- Grasp the release mechanism and adjust the telescopic suction wand to the required length.

Connect the suction wand to the floorhead (Fig. 06)



1. Push the suction wand into the floor-head and turn it clockwise or counter-clockwise until it clicks into position.
2. To separate the suction wand from the floorhead, press the release button and pull the suction wand away from the floorhead, twisting it slightly as you do so.

Adjusting the floorhead (Fig. 06)




(only for models with a reversible floor head included in the standard version)


This vacuum cleaner can be used for daily cleaning of carpets, rugs, and robust hard flooring.

Miele offer a range of other floorheads, -brushes and accessories for other types of flooring and special requirements.

3. Vacuum carpets and rugs with the brush retracted:

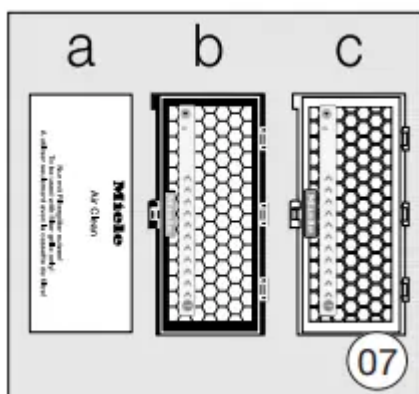
- Press the foot switch  .

Clean hard floors, especially delicate flooring susceptible to scratches and flooring with gaps or deep crevices, with the brush extended:

- Press the foot switch  .

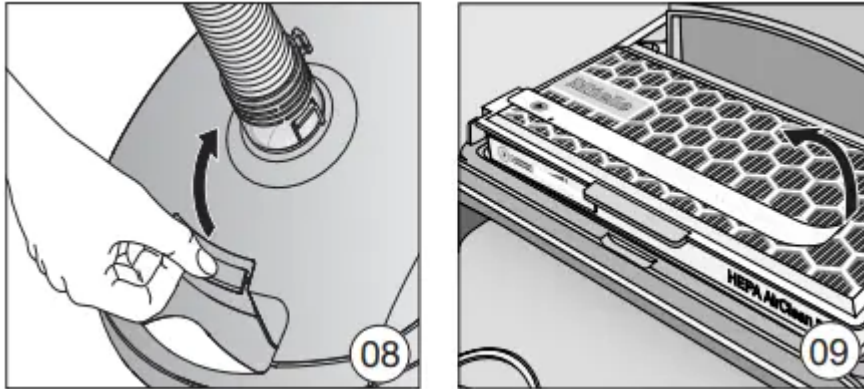
Activating the exhaust filter TimeStrip change indicator®

Depending on the model, your vacuum cleaner will be fitted as standard with one of the following exhaust filters (Fig. 07).



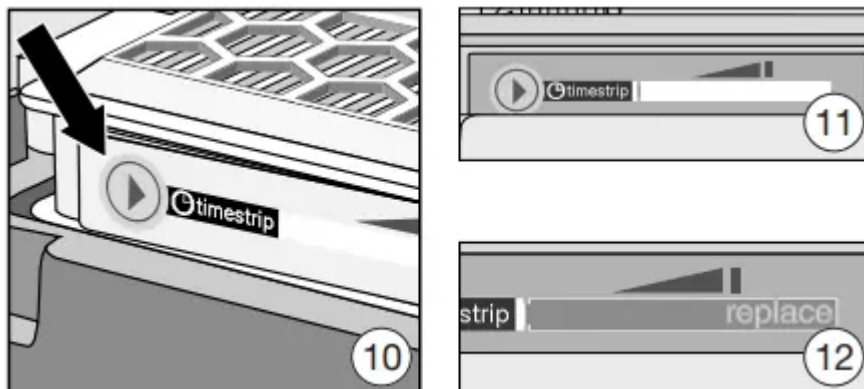
- AirClean
- Active AirClean 30 (black)
- HEPA AirClean 30 (white)

If your vacuum cleaner is fitted with exhaust filter b or c, you need to activate the TimeStrip® exhaust filter change indicator.



- Pull the release catch for the dust compartment lid upwards and open the lid as far as it will go (Fig. 08).
- Remove the indicator strip (Fig. 09).
- Press the TimeStrip® exhaust filter change indicator (Fig. 10).

After approx. 10-15 seconds a thin red line will appear in the left-hand side of the display (Fig. 11).

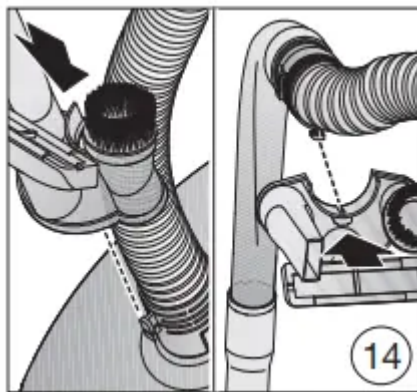
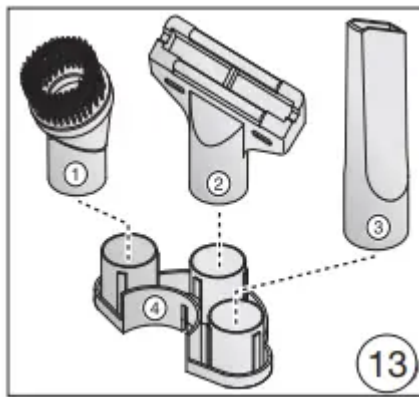


- Close the dust compartment lid securely, making sure it clicks into position. Take care not to trap the Fil-terBag when doing so.

How the TimeStrip® exhaust filter change indicator works

The TimeStrip® exhaust filter change indicator shows the remaining functional life of the exhaust filter. After approx. 50 operating hours, or approx. one year of average use, the display will be completely filled with red (Fig. 12).

Using the accessories supplied (Figs. 13 + 14)



1. Dusting brush
2. Upholstery nozzle
3. Crevice nozzle
4. Accessory holder for the three accessories supplied

Symbols on the holder show where to attach the different accessories.

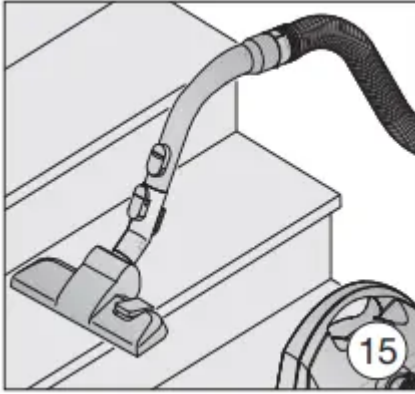
- Attach the accessories holder to the hose connector socket at the top or bottom of the suction hose. Make sure it clicks into position.

Some models are supplied as standard with one of the following accessories which are not illustrated.

- AllergoTeQ floorhead
- Turbobrush

These vacuum cleaners are supplied with separate operating instructions for the relevant accessory part.

Convertible floorhead / floor brush (Fig. 15)



(included as standard depending on model)

For general use and also for vacuuming the stairs.

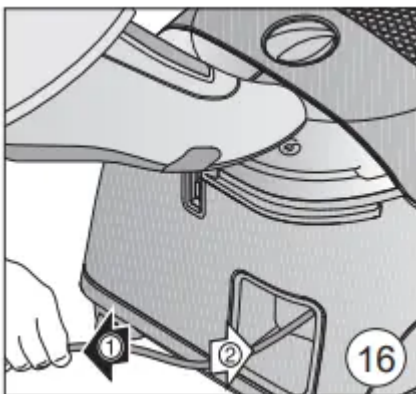
Parquet floorbrush (SBB Parquet-3)

(included as standard depending on model)

This brush has natural bristles and is designed for use on smooth floors that are susceptible to scratching.

Use

Unwinding the cord (Fig. 16)



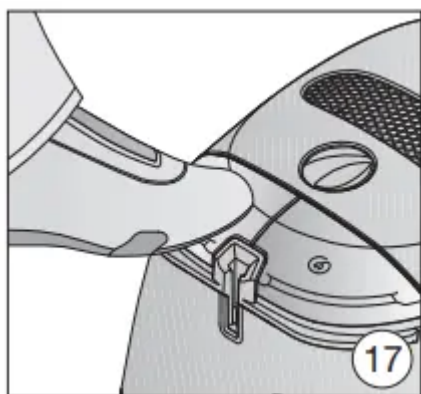
1. Pull the power cord out to the required length.

Rewinding the cord

- Remove the plug from the socket.

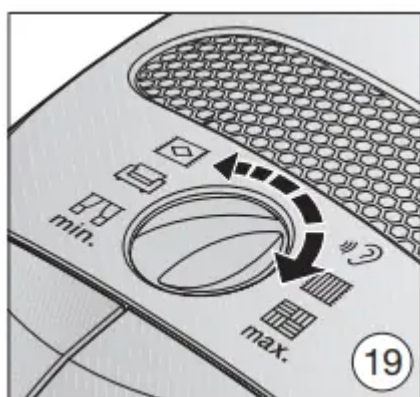
2. Press the rewind foot control. The cord will rewind automatically.

Turning the vacuum cleaner on and off (Fig. 17)



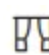



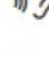

- Press the On/Off foot control ①.

Regulating the suction power (Fig. 19)



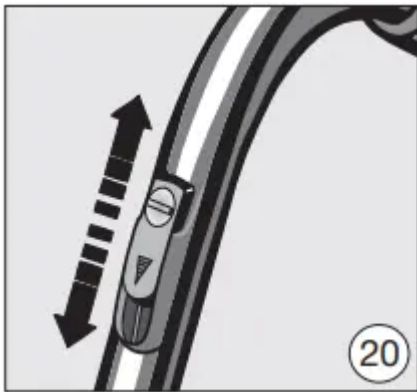
The suction power can be regulated to suit the type of flooring being cleaned. Reducing the suction power reduces the amount of effort required to maneuver the floor brush.

The vacuum cleaner has symbols on the controls which indicate the type of use the settings are suitable for.

-  Curtains, fabric
-  Upholstery, cushions
-  Deep pile carpets, rugs and runners
-  Energy-saving vacuuming. This setting is also very quiet
-  Low pile carpet and rugs
-  Hard flooring and heavily soiled carpets and rugs

- Turn the suction power selector manually to the suction power setting you require.

Opening the air inlet valve (Fig. 20)



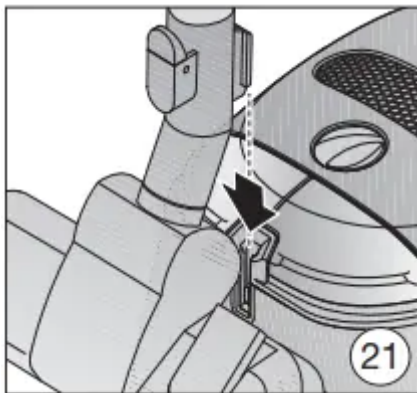
It is easy to reduce the suction power for a short time, e.g., to prevent rugs or other objects being sucked into the vacuum cleaner.

- Open the air inlet valve on the handle far enough to reduce the suction power.

This reduces the suction on the respective nozzle used.

Setting down and storing the vacuum cleaner

Park system for pauses during vacuuming (Fig. 21)



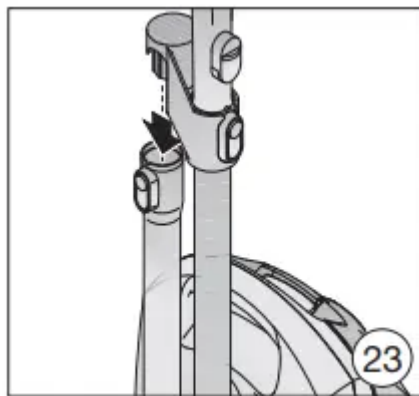
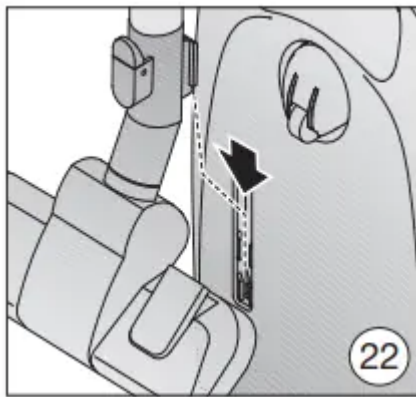
The Park system allows you to conveniently park the suction wand and floor-head during pauses.

- Slot the floorhead into the parking attachment on the vacuum cleaner.

If your vacuum cleaner is on a sloping surface, e.g. a ramp,

- retract the telescopic suction wand fully
- do not use the park system if your vacuum cleaner has an EasyLock suction wand.

Park system for storage (Figs. 22 + 23)



- Stand the vacuum cleaner upright.

If your vacuum cleaner has a telescopic suction wand, retract the wand fully so that it takes up less room for storage.

- Slot the floorhead downwards into the parking attachment.

If your vacuum cleaner has an Easy-Lock suction wand you can separate the two sections for storage purposes.

- Press the release button on the lower section and pull the top section out.
- Push the connection piece attached to the upper wand section into the lower section.

Maintenance

The Miele filtration system consists of three components:

- Original Miele FilterBag
- Motor protection filter
- Original Miele exhaust filter

These will need to be replaced from time to time to ensure that your vacuum cleaner performs efficiently.

We recommend only using genuine FilterBags, filters, and accessories with the “Original Miele” logo on them. This will ensure that the suction power of the vacuum cleaner is maintained, giving the best possible cleaning results.

FilterBags with the “Original Miele” logo on them are not made from paper or paper-based materials and nor do they have a cardboard collar. This is why our FilterBags are particularly long-lasting and reliable.

Please note that appliance faults and damage originating from the use of accessories which do not carry the “Original Miele” logo will not be covered by the appliance guarantee.

Purchasing new FilterBags and filters

Original Miele FilterBags and filters are available from the Miele web store, Miele Technical Service, and your Miele dealer.

Ordering the correct FilterBags and filters

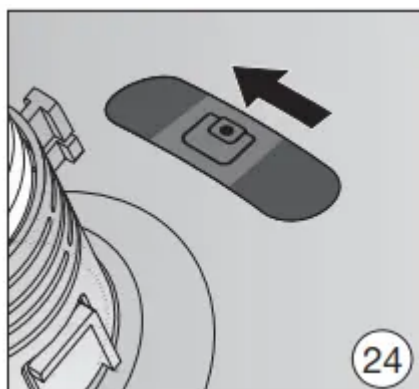
Only use original Miele GN FilterBags with a blue collar and original Miele filters. These are identified by the “ORIGINAL Miele” logo on the packaging.



Every packet of original Miele FilterBags contains four bags, one AirClean exhaust filter, and one motor protection filter. Original Miele multipacks contain 16 FilterBags, four AirClean exhaust filters, and four motor protection filters.

Original Miele exhaust filters can also be purchased separately from your Miele dealer or Miele Technical Service. Please quote the model number of your vacuum cleaner when ordering to make sure you get the correct filter. You can also order all accessories via the Miele web store.

When to change the FilterBag (Fig. 24)



Change the FilterBag when the color marker in the FilterBag change indicator turns red.

FilterBags are disposable and intended to be used only once. Dispose of the entire FilterBag. Do not attempt to re-use. Blocked pores reduce the efficiency of the vacuum cleaner.

Checking the FilterBag change indicator

- Attach the floor brush to the vacuum cleaner (depending on the model).
- Switch the vacuum cleaner on and select the highest power setting.
- Lift the floor brush off the floor a little.

How the FilterBag change indicator works

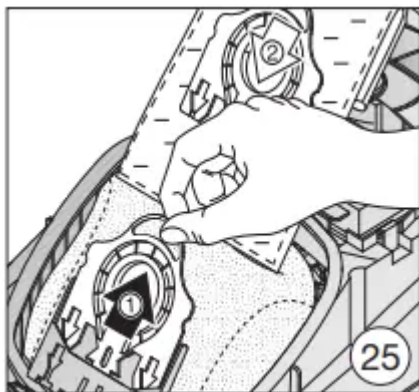
The FilterBag change indicator is set for normal household dust. This generally contains a mixture of dust, hair, threads, carpet lint, grit, etc.

However, if the cleaner has been used to vacuum up fine dust, such as plaster, brick dust, cement or flour, the pores of the FilterBag will become blocked very quickly.

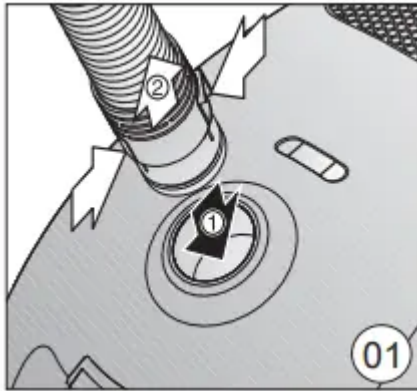
This affects the air permeability of the bag, and the marker will indicate that the bag is “full” even when it is not. If this happens you must still change the FilterBag because suction power will be greatly reduced by blocked pores in the FilterBag.

If, on the other hand, a large amount of hair and carpet lint which typically contains a lot of air is vacuumed up, the indicator may fail to react even though the bag is full. You should still change it. Both these extremes can occur.

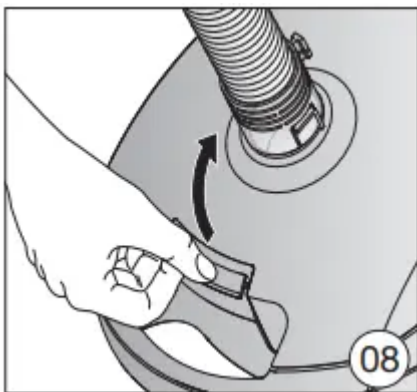
How to replace the FilterBag (Fig. 25)



- Press both release buttons at the side of the hose connector, and lift the hose from the socket (Fig. 01)



- Pull the release catch for the dust compartment lid upwards and open the lid as far as it will go (Fig. 08).

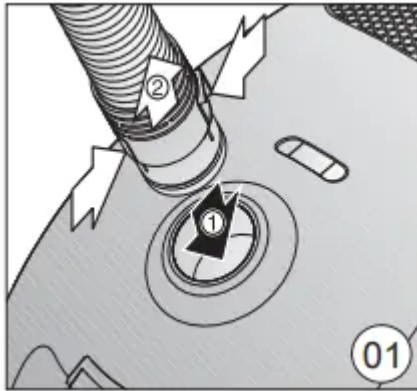


The FilterBag has a flap which closes automatically when the dust compartment lid is raised to prevent any dust escaping.

1. Pull the FilterBag out by the grip on the collar.
 2. Fit the new FilterBag into the holder as far as it will go. Leave it folded up when you take it out of the box.
- Close the dust compartment lid securely, making sure it clicks into position. Take care not to trap the FilterBag when doing so.

An empty operation lock prevents the dust compartment lid from closing without a FilterBag in place. Do not use force!

- Insert the hose connector into the suction socket on the vacuum cleaner until it clicks into position (Fig. 01).

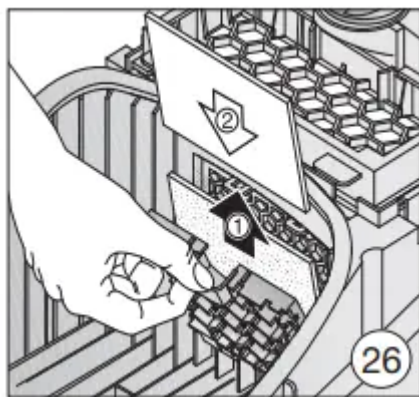


When to change the motor protection filter

Replace this filter every time you start a new packet of filter bags.

Every packet of original Miele filter bags contains a motor protection filter. Multipacks contain four motor protection filters.

How to change the motor protection filter (Fig. 26)

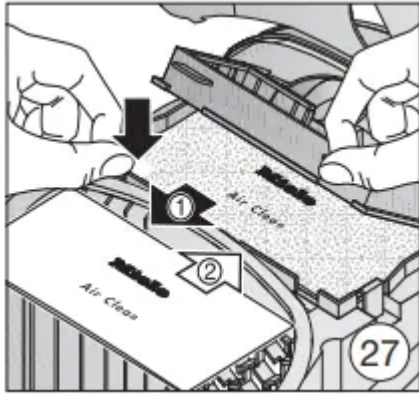


- Open the dust compartment lid.
- Pull the FilterBag out by the grip on the collar.
- Unclip the filter frame and replace the motor protection filter.
- Close the filter frame.
- Fit the FilterBag into the holder as far as it will go.
- Close the dust compartment lid.

When to replace the exhaust filter AirClean

Replace this filter every time you start a new packet of Miele FilterBags. Every packet of original Miele FilterBags contains one AirClean exhaust filter. Multipacks contain four AirClean filters.

How to replace the AirClean exhaust filter (Fig. 27)



Do not use more than one exhaust filter at a time.

- Open the dust compartment lid.
1. Release the filter frame and raise it upwards. Grasp the used AirClean filter by the clean, unsoiled section (see arrow) and take it out.
 2. Replace it with a new AirClean exhaust filter.

If you wish to fit an Active AirClean 30 or HEPA AirClean 30 exhaust filter, see “Replacing one type of exhaust filter with another”.

- Close the filter grille.
- Close the dust compartment lid.

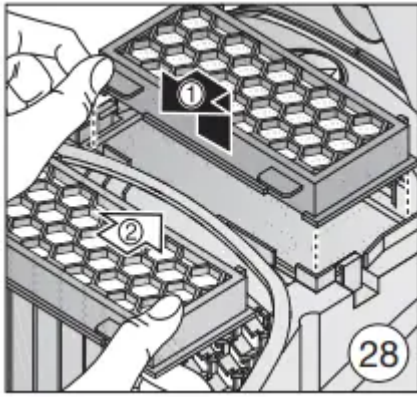
When to replace the Active AirClean 30/HEPA AirClean 30 exhaust filter (Fig. 12)



Replace this filter when the exhaust filter TimeStrip® change indicator is completely red.

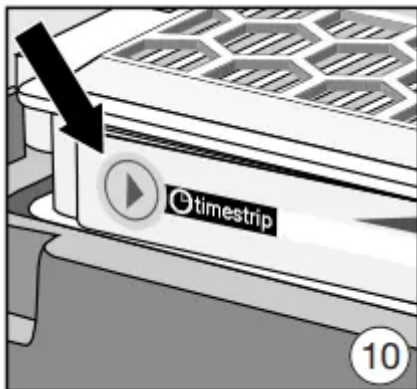
The indicator lights up after approximately 50 operating hours, which is equivalent to about a year of average use. You can continue vacuuming when the light comes on. However, the suction power will be reduced as will the effectiveness of the filter.

How to replace the Active AirClean 30/HEPA AirClean 30 exhaust filter (Fig. 28)



Do not use more than one exhaust filter at a time.

- Open the dust compartment lid.
1. Lift the exhaust filter and remove it.
 2. Insert a new exhaust filter, making sure it goes in properly, then push it down into position.
- Press the TimeStrip® exhaust filter change indicator (Fig. 10).



After approx. 10-15 seconds a thin red line will appear in the left-hand side of the display (Fig. 11).

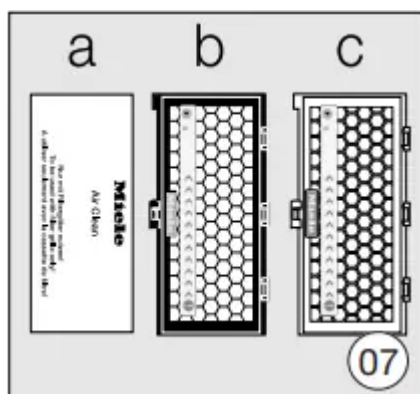


If you wish to fit the AirClean exhaust filter, see “Replacing one type of exhaust filter with another”.

- Close the dust compartment lid.

Replacing one type of exhaust filter with another (Fig. 07)





Depending on the model, your vacuum cleaner will be fitted as standard with one of the following exhaust filters :

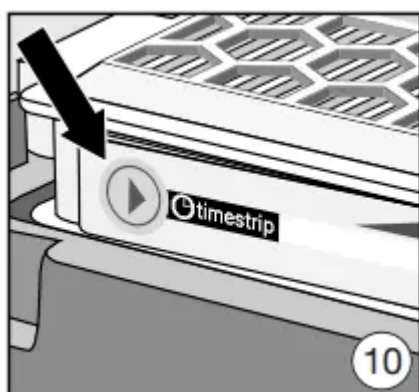
- a. AirClean
- b. Active AirClean 30 (black)
- c. HEPA AirClean 30 (white)

Do not use more than one exhaust filter at a time.

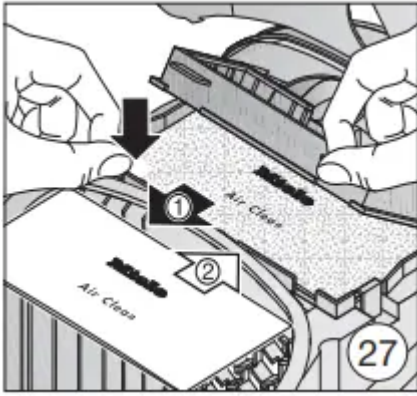
When changing the filter please note

1. If you wish to replace exhaust filter a with filter b or c, you must completely remove the filter grille before you install the new exhaust filter.

You must also activate the TimeStrip® exhaust filter change indicator (Fig. 10).



2. If you wish to replace exhaust filter b or c with filter a, you must insert the new filter into a filter grille * before installing (Fig. 27).



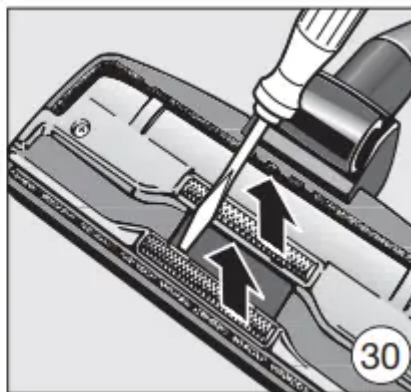
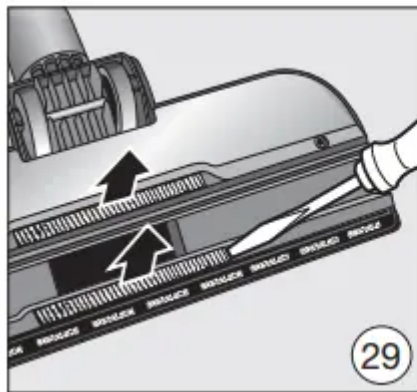
* Filter grille - see "Optional accessories"

When to change the thread catchers?

(only possible for models with a reversible floorhead included as standard)

The thread catchers on the suction inlet of the reversible floorhead can be replaced. Check them from time to time and replace them if the pile has worn down.

How to replace the thread lifters (Fig. 29 + 30)



- Use a suitable screwdriver to remove the thread lifters from the slots.
- Install new thread lifters.

Replacement parts are available from your Miele dealer or through Miele Technical Service.

Cleaning and care

Vacuum cleaner and accessories

The vacuum cleaner and all plastic accessories can be cleaned with a proprietary cleaner suitable for plastic.


Dust compartment

The dust compartment can, if necessary, be cleaned using a dry duster, brush or, if available, a second vacuum cleaner to vacuum the dust out.

Monitor the filter bag change indicator and inspect all filters regularly. Clean or replace them when necessary according to these Operating Instructions.

Frequently Asked Questions

With the help of the following guide minor faults in the performance of the machine, some of which may result from incorrect operation, can be remedied without contacting the Service Department. This guide may help you to find the reason for the fault, and how to correct it.

Problem	Possible cause and solution
The vacuum cleaner turns off automatically.	<p>A temperature limiter turns the vacuum cleaner off automatically if it gets too hot.</p> <p>This can occur if, for instance, large articles block the wand or when the FilterBag is full or contains particles of fine dust. A heavily soiled exhaust or dust compartment filter can also be the cause of overheating.</p> <ul style="list-style-type: none">■ Turn the vacuum cleaner off immediately using the On/Off foot switch , and unplug it. <p>After removing the cause, wait for approximately 20 -30 minutes to allow the vacuum cleaner to cool down. It can then be turned on again.</p>

Warning

This content is compiled from multiple sources and is provided for reference purposes only. It may not be complete or fully applicable to all situations. If you are unable to resolve your issue, please contact the product manufacturer or an authorized service provider for official support.