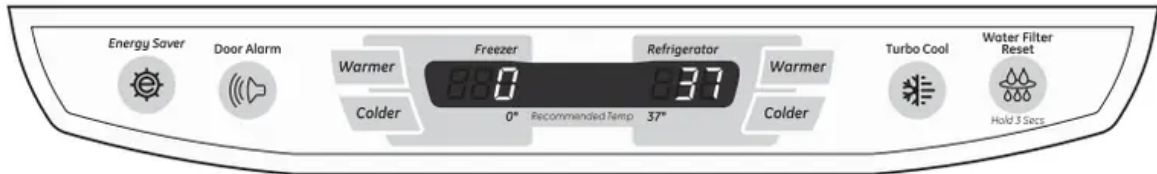
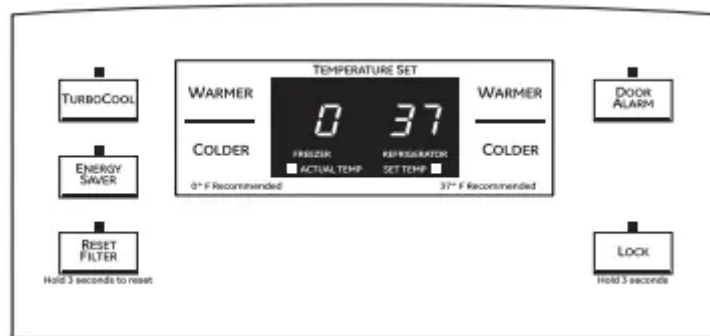


# Operating Instructions

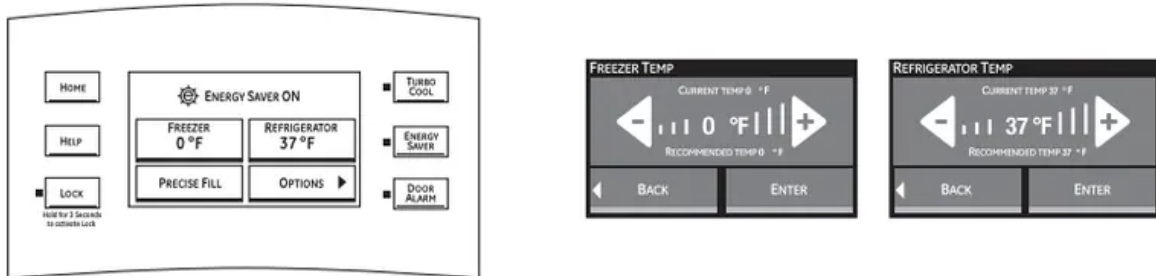
## About the controls with temperature settings



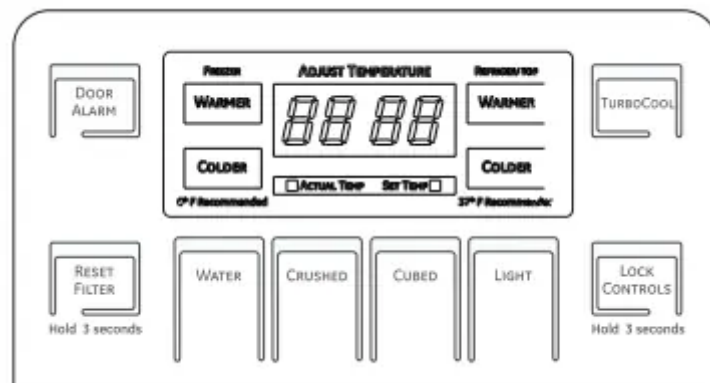
Control style A, Internal Controls (on some models)



Control style B, External Controls (on some models)



Control style C, LED External Controls (on some models)



Control style D, External Controls (on some models)



**NOTE:** The refrigerator is shipped with protective film covering the temperature controls. If this film was not removed during installation, remove it now.

The temperature controls are preset in the factory at 37°F for the refrigerator compartment and 0°F for the freezer compartment. Allow 24 hours for the temperature to stabilize to the preset recommended settings.

The temperature controls can display both the SET temperature as well as the actual temperature in the refrigerator and freezer. The actual temperature may vary slightly from the SET temperature based on usage and operating environment.

Setting either or both controls to OFF stops cooling in both the freezer and refrigerator compartments, but does not shut off electrical power to the refrigerator.

### **Changing the Temperature for control styles A, B & D**

#### **For Controls on the Door:**

To change the temperature, press and release the WARMER or COLDER pad. The ACTUAL TEMP light will come on and the display will show the actual temperature. To change the temperature, tap either the WARMER or COLDER pad until the desired temperature is displayed.

#### **For Controls Inside the Refrigerator:**

Opening the door displays the actual temperature. To change the temperature, press either the WARMER or COLDER touch pads until the desired temperature is displayed.

Once the desired temperature has been set, the temperature display will return to the actual refrigerator and freezer temperatures after 5 seconds. Several adjustments may be required. Each time you adjust controls, allow 24 hours for the refrigerator to reach the temperature you have set.

**To turn the cooling system off**, tap the WARMER pad for either the refrigerator or the freezer until the display shows OFF. To turn the unit back on, press the COLDER pad for either the refrigerator or freezer. Then press the COLDER pad again and it will go to the preset points of 0°F for the freezer and 37°F for the refrigerator. Setting either or both controls to OFF stops cooling in both the freezer and refrigerator compartments, but does not shut off electrical power to the refrigerator.

### **Changing the Temperature for control style C**

#### **To change the Refrigerator temperature:**

**Access By:** Home > Refrigerator

**Activate By:** Using the arrows to select the desired temperature. You must press ENTER to set the new temperature.

#### **To change the Freezer temperature:**

**Access By:** Home > Freezer

**Activate By:** Using the arrows to select the desired temperature. You must press ENTER to set the new temperature.

Once the desired temperature has been set, the display will return to the HOME screen and show the set temperatures underneath the actual temperature display for several seconds. Several adjustments may be required. Each time you adjust the controls, allow 24 hours for the refrigerator to reach the temperature you have set.

#### **For Controls Inside the Refrigerator:**

Opening the door displays the actual temperature. To change the temperature, press either the WARMER or COLDER touch pads until the desired temperature is displayed.

Once the desired temperature has been set, the temperature display will return to the actual refrigerator and freezer temperatures after 5 seconds. Several adjustments may be required.

Each time you adjust controls, allow 24 hours for the refrigerator to reach the temperature you have set.

**To turn the cooling system off,** tap the WARMER pad for either the refrigerator or the freezer until the display shows OFF. To turn the unit back on, press the COLDER pad for either the refrigerator or freezer. Then press the COLDER pad again and it will go to the preset points of 0°F for the freezer and 37°F for the refrigerator. Setting either or both controls to OFF stops cooling in both the freezer and refrigerator compartments, but does not shut off electrical power to the refrigerator.

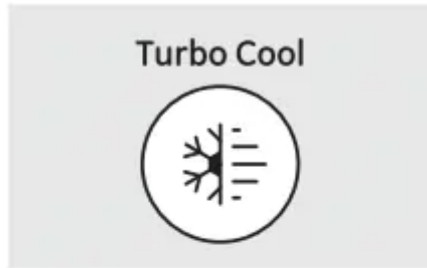
#### **Models with External Dispensers:**

**Access By:** Home > Options > Information and Settings > Cooling System Off

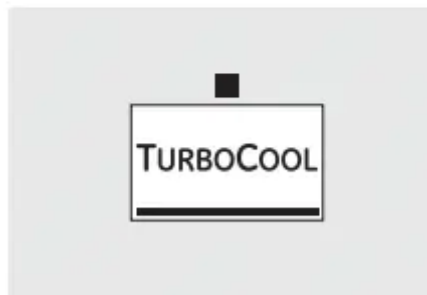
To turn the cooling system back on, press the touch screen and press the ON button.

**Activate By:** Pressing ENTER.

## About TurboCool.™ (on some models)



(on some models)



(on some models)

### How It Works

TurboCool rapidly cools the refrigerator compartment in order to more quickly cool foods. Use TurboCool when adding a large amount of food to the refrigerator compartment, putting away foods after they have been sitting out at room temperature or when putting away warm leftovers. It can also be used if the refrigerator has been without power for an extended period.

Once activated, the compressor will turn on immediately and the fans will cycle on and off at high speed as needed for eight hours. The compressor will continue to run until the refrigerator compartment cools to approximately 34°F (1°C), then it will cycle on and off to maintain this setting. After 8 hours, or if TurboCool is pressed again, the refrigerator compartment will return to the original setting.

### How to Use

Press TurboCool. The refrigerator temperature display will show .

After TurboCool is complete, the refrigerator compartment will return to the original setting.

**NOTES:** The refrigerator temperature cannot be changed during TurboCool.

The freezer temperature is not affected during TurboCool.

When opening the refrigerator door during TurboCool, the fans will continue to run if they have cycled on.

### About Door Alarm (on some models)



(on some models)



(on some models)

The door alarm will sound if any door is open for more than 2 minutes. The beeping stops when you close the door.

#### **About Energy Saver (on some models)**



(on some models)



(on some models)

This product is equipped with an Energy Saver feature. The refrigerator is shipped with the Energy Saver feature enabled.

Over time, moisture can form on the front surface of the refrigerator cabinet and cause rust. If moisture does appear on the front surface of the refrigerator cabinet, turn off the Energy Saver feature by pressing and releasing the ENERGY SAVER pad on the control panel.

## About the water filter. (on some models)



### Water Filter Cartridge

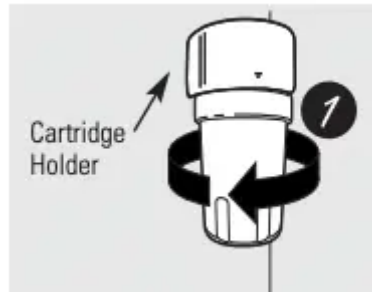
The water filter cartridge is located in the back upper right corner of the refrigerator compartment.

### When to Replace the Filter

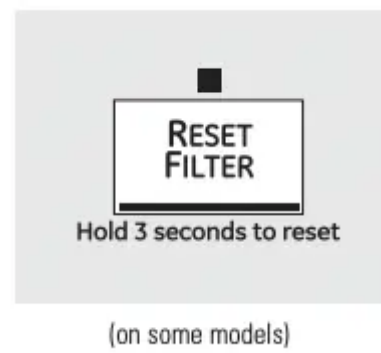
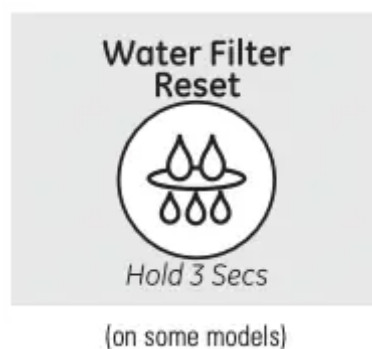
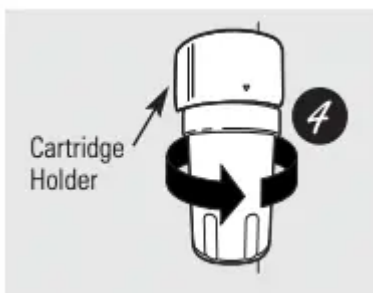
There is a replacement indicator light for the water filter cartridge on the temperature display. This light will turn orange to tell you that you need to replace the filter soon. The filter cartridge should be replaced when the replacement indicator light turns red or if the flow of water to the dispenser or icemaker decreases.

### Installing the Filter Cartridge

1. If you are replacing the cartridge, first remove the old one by slowly turning it to the left. DO NOT pull down on the cartridge. A small amount of water may drip down.



**CAUTION:** If air has been trapped in the system, the filter cartridge may be ejected as it is removed. Use caution when removing.



2. Remove the protective foil from the end of the cartridge.

3. Fill the replacement cartridge with water from the tap to allow for better flow from the dispenser immediately after installation.
4. Lining up the arrow on the cartridge and the cartridge holder, slowly rotate the cartridge clockwise until it stops. When the cartridge is properly installed, you will feel it “click” as it locks into place. Do not overtighten.
5. Run 1 1/2 gallons (about 3 minutes) from the dispenser to clear the system and prevent sputtering. See To Use the Dispenser section.
6. Press and hold the RESET WATER FILTER pad (on some models) for 3 seconds.

**NOTE:** A newly-installed water filter cartridge may cause water to spurt from the dispenser.

### **Filter Bypass Plug**

You must use the filter bypass plug when a replacement filter cartridge is not available. The icemaker will not operate without the filter or filter bypass plug.

### **Replacement Filters:**

For the maximum benefit of your filtration system, GE recommends the use of GE branded SmartWater filters only. Using GE branded filters in GE and Hotpoint refrigerators provides optimal performance and reliability. GE branded SmartWater filters are always the right choice because they are patented and designed specifically for GE products. GE SmartWater filters meet rigorous industry NSF standards for safety and quality that are important for products that are filtering your water. GE has not qualified non-GE branded filters for use in GE and Hotpoint refrigerators and there is no assurance that non-GE branded filters meet GE’s standards for quality, performance and reliability.

To order additional filter cartridges in the United States, visit our Website, GEAppliances, or call GE Parts and Accessories, 800.626.2002.

### **Filter Model MWF**

Customers in Canada should consult the yellow pages for the nearest Mabe Service Center.

### **About the shelves and bins.**

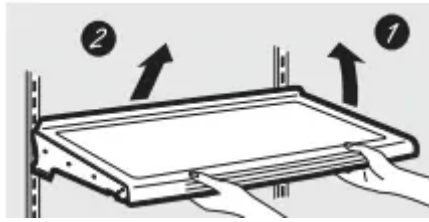
Not all features are on all models.

### **Rearranging the Shelves**

Shelves in the refrigerator compartment are adjustable.

### **Refrigerator Compartment**





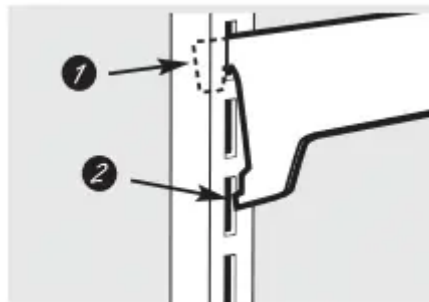
Some models have wire shelves that can be adjusted in the same manner.

**To remove:**

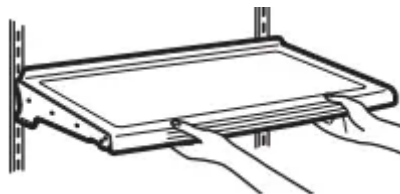
1. Remove all items from the shelf.
2. Tilt the shelf up at the front.
3. Lift the shelf up at the back and bring the shelf out.

**To replace:**

1. While tilting the shelf up, insert the top hook at the back of the shelf in a slot on the track.
2. Lower the front of the shelf until the bottom of the shelf locks into place.

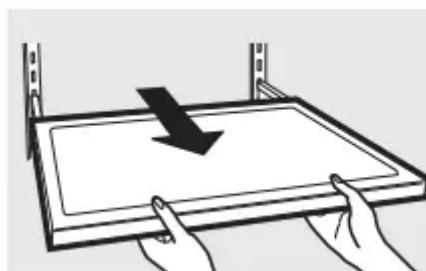


**Spillproof Shelves (on some models)**



Spillproof shelves have special edges to help prevent spills from dripping to lower shelves. To remove or replace the shelves, see *Rearranging the Shelves*.

**Slide-Out Spillproof Shelf (on some models)**



The slide-out spillproof shelf allows you to reach items stored behind others. The special edges are designed to help prevent spills from dripping to lower shelves.

To remove:

1. Remove all items from shelf.
2. Slide the shelf out until it stops.
3. Lift the front edge of the shelf until the central tabs are above the front bar.
4. Continue pulling the shelf forward until it can be removed.

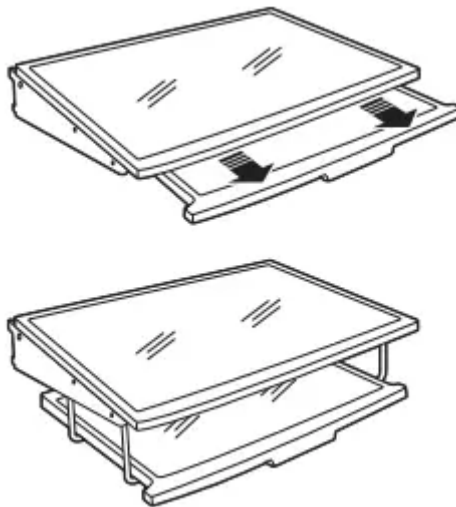
To replace:

1. Place the rear shelf tabs just in front of the central notches on the shelf frame.
2. Slide the shelf in until the central tabs are slightly behind the front bar.
3. Lower the shelf into place until it is horizontal and slide the shelf in.

Make sure that the shelf sits flat after reinstallation and doesn't move freely from side to side.

Make sure you push the shelves all the way in before you close the door.

**Drop Down Shelf (on some models)**

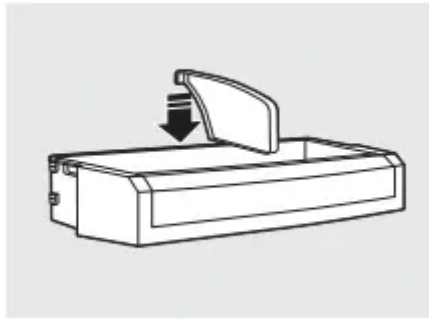


The drop-down shelf gives you the use of another full-size shelf when you need extra storage. It conveniently folds back out of the way when not in use, giving you room for storage of larger items.

**To use drop-down shelf:**

1. Pull forward and down to drop the shelf into place.
2. Pull forward while lifting up to place the shelf out of the way

**Adjustable Bins on the Door**



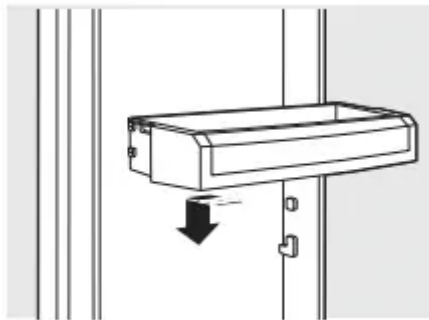
Adjustable bins can easily be carried from refrigerator to work area.

**To remove:** Lift bin straight up, then pull out.

**To replace or relocate:** Slide in the bin just above the molded door supports, and push down. The bin will lock in place.

The snugger helps prevent tipping, spilling or sliding of small items stored on the door shelf. Grip the finger hold near the rear of the snugger and move it to fit your needs.

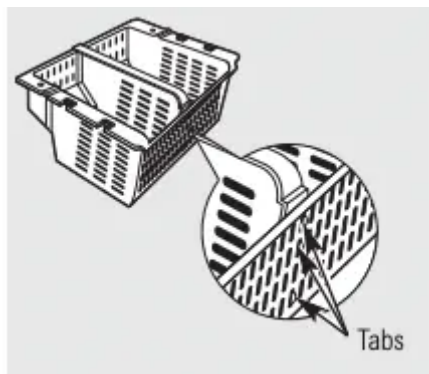
### Non-Adjustable Bins on the Door



**To remove:** Lift the bin straight up, then pull out.

**To replace:** Engage the bin in the molded supports on the door and push down. It will lock in place.

### Adjustable Divider in Freezer Basket



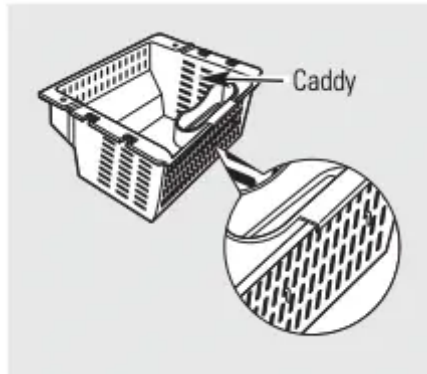
The freezer basket has a divider that can be both repositioned or removed.

**To remove:** Pull the divider forward until the rear locating tabs are out of the slots. Turn the divider slightly to the side to release the front locating tabs and lift out.

**To replace:** Turn the divider slightly to one side so the tabs on the front fit into the vent slots on the basket. Position the divider so the back locating tabs snap into place in the back vent slots.

**To reposition:** Remove the divider. Slide the divider left or right to the desired location and replace as instructed above.

### Optional Freezer Caddy

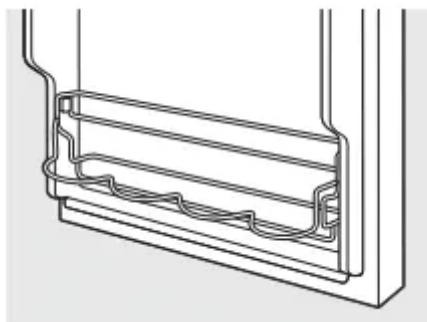


The optional freezer caddy fits over the front edge of the bottom freezer basket and can be removed or added as needed.

**To remove:** Lift the freezer caddy up.

**To replace:** Lower the freezer Caddy ensuring the hook fits over the front edge of the bottom freezer basket. Push down to secure.

### About the additional features.

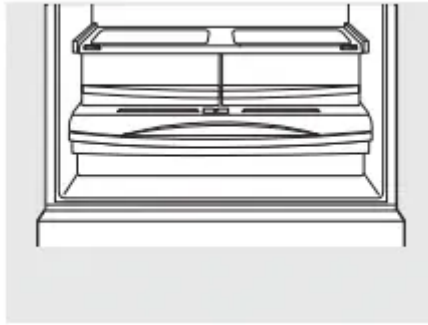


### Non-Adjustable Beverage Rack

**To remove:** Lift the rack straight up, then pull out.

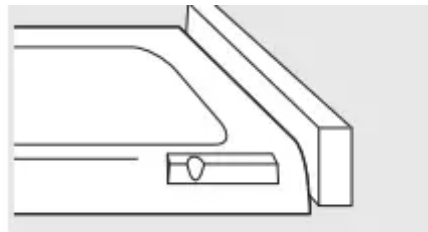
**To replace:** Engage the rack in the molded supports on the door and push down. It will lock in place.

## About the crispers and pans



### Fruit and Vegetable Crisper

Excess water that may accumulate in the bottom of the drawers or under the drawers should be wiped dry.

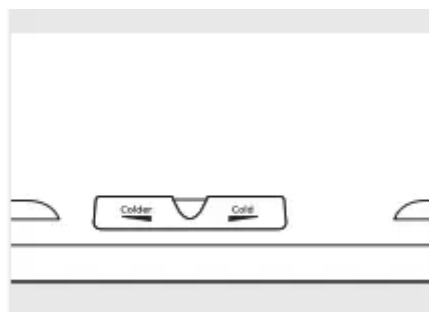


### Adjustable Humidity Crisper (on some models)

Slide the control all the way to the HIGH setting to provide high humidity recommended for most vegetables.

Slide the control all the way to the LOW setting to provide lower humidity levels recommended for most fruits.

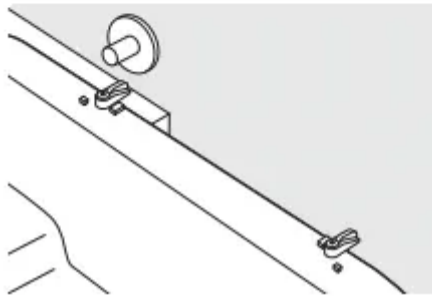
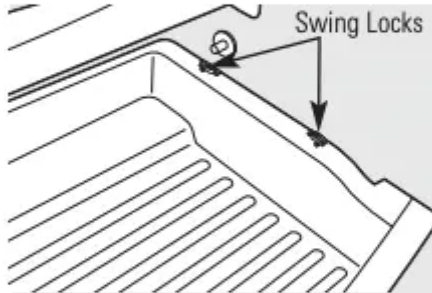
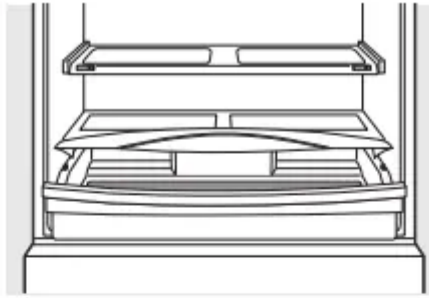
Location of controls may vary, but function remain the same.



### Adjustable Temperature Deli Pan (on some models)

Slide the control all the way to the left for the coldest temperature.

### How to Remove and Replace the Deli Pan

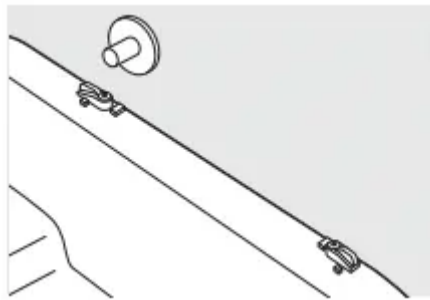


**To remove:**

1. Remove the fruit and vegetable drawers.
2. Pull the drawer out to the stop position.
3. Lift the lid to access the 4 swing locks.
4. Rotate all four swing locks to the unlock position.
5. Lift the front of the drawer up and out.

**To replace:**

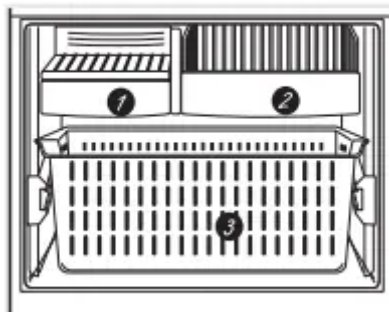
1. Make sure all four swing locks are in the unlock position.
2. Place the sides of the drawer into the drawer supports, making sure the swing locks fit on the drawer slots.
3. Lock all four swing locks by rotating them to the lock position.



4. Lower the lid and slide in the drawer.
5. Replace the fruit and vegetable drawers.

### About the freezer.

#### *Single Drawer Models*

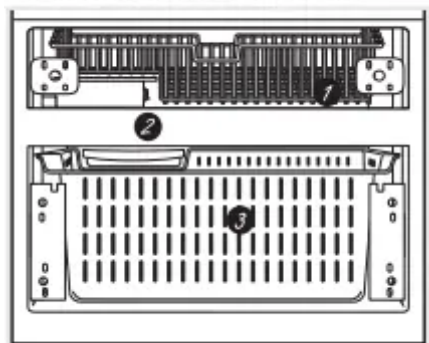


Appearance and features may vary

### Freezer Shelves and Baskets

1. A shelf above the ice storage bin
2. A half-width basket
3. A deep full-width basket with divider

#### *Double Drawer Models*

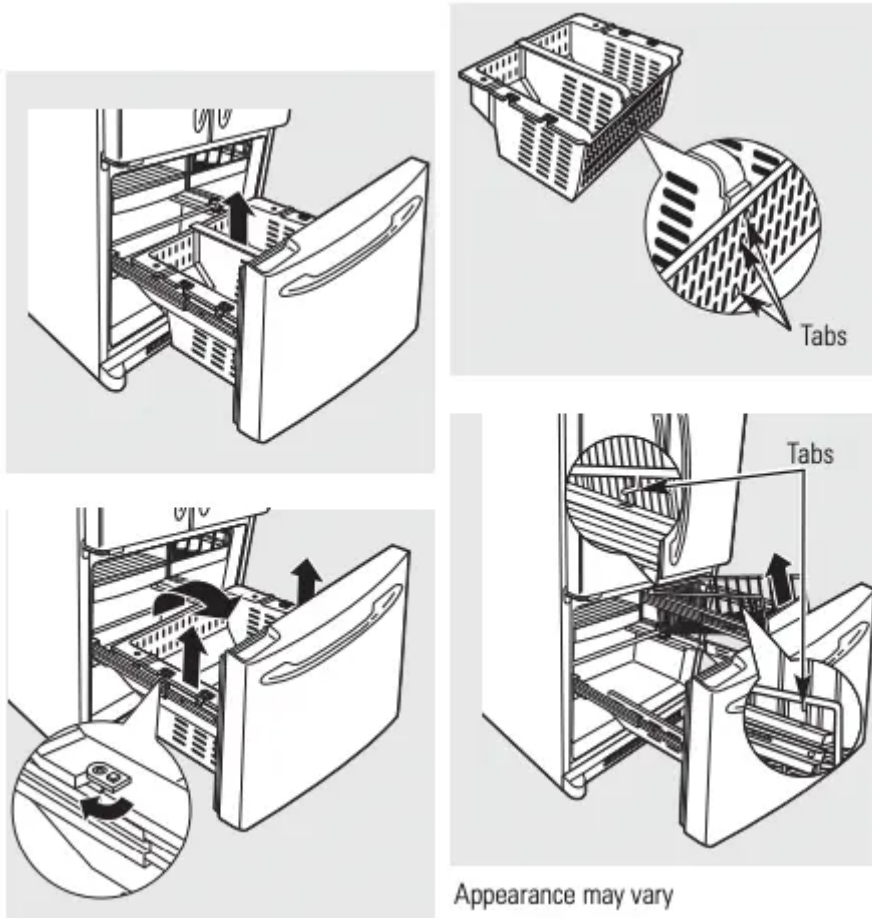


Appearance and features may vary

### Freezer Shelves and Baskets

1. A full-width upper basket in top drawer
2. Ice Bucket
3. A deep full-width lower basket in bottom drawer

## Basket Removal



### To remove the deep full-width basket:

1. Open the freezer drawer until it stops.
2. Lift the freezer caddy up.
3. Pull the divider forward until the rear locating tabs are out of the slots. Turn the divider slightly to the side to release the front locating tabs and lift out.
4. The freezer basket rests on the metal slide brackets and is held in place with swing locks.
5. Turn the swing locks from vertical to horizontal position.
6. Open the refrigerator doors.
7. Lift the basket up and rotate it toward you. Slide out from the side of the drawer.

### When replacing the deep full-width basket:

1. Tilt the basket toward you and lower it into the drawer.
2. Place the basket onto the metal slide brackets and over the swing locks.
3. Turn the swing locks from horizontal to vertical position to lock the basket in place.

4. Turn the divider slightly to one side so the tabs on the front fit into the vent slots on the basket. Position the divider so the back locating tabs snap into place in the back vent slots.
5. Lower the freezer caddy ensuring the hook fits over the front edge of the bottom freezer basket. Push down to secure.

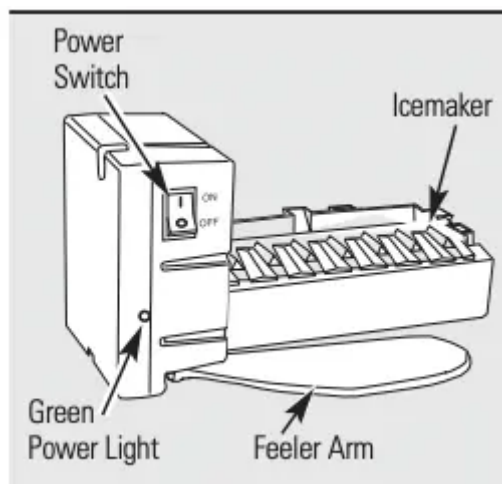
To remove the half-width basket:

1. Pull the basket out to the stop location.
2. Lift the basket up at the front to release it from the slides.
3. Lift the back up and out of the slide.

**CAUTION:** Always be sure to fully close this basket. When replacing the basket, make sure that the wire tabs and wire hooks on the sides of the basket go into the slots in the top of the upper basket slides.

### About the automatic icemaker.

A newly installed refrigerator may take 12 to 24 hours to begin making ice.



### Automatic Icemaker (on some models)

The icemaker will produce seven cubes per cycle— approximately 100–130 cubes in a 24-hour period, depending on freezer compartment temperature, room temperature, number of door openings and other use conditions.

See below for how to access ice and reach the power switch.

If the refrigerator is operated before the water connection is made to the icemaker, set the power switch in the O (off) position.

When the refrigerator has been connected to the water supply, set the power switch to the I (on) position. The icemaker power light will turn green when the freezer light switch is pressed in or when the freezer door is closed.

The icemaker will fill with water when it cools to 15°F (–10°C). A newly installed refrigerator may take 12 to 24 hours to begin making ice cubes.

You will hear a buzzing sound each time the icemaker fills with water.

Throw away the first few batches of ice to allow the water line to clear.

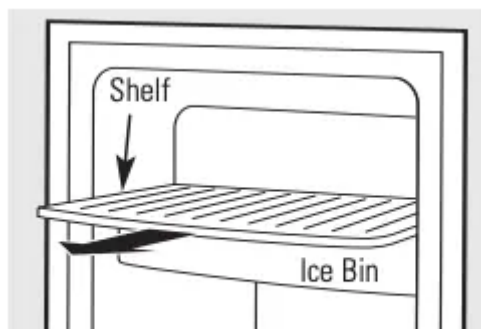
Be sure nothing interferes with the sweep of the feeler arm.

When the bin fills to the level of the feeler arm, the icemaker will stop producing ice. It is normal for several cubes to be joined together.

If ice is not used frequently, old ice cubes will become cloudy, taste stale and shrink.

**NOTE:** In homes with lower-than-average water pressure, you may hear the icemaker cycle multiple times when making one batch of ice.

**NOTE:** Set the power switch to the O (off) position if the water supply is shut off

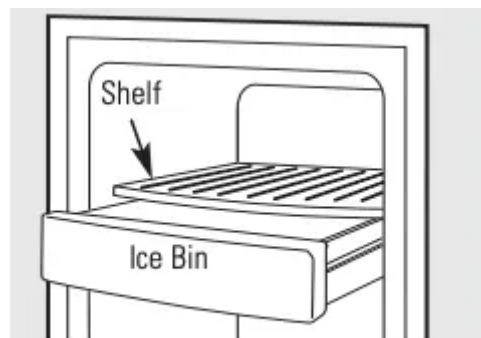


To reach the power switch.

### Accessing Ice and Reaching the Power Switch

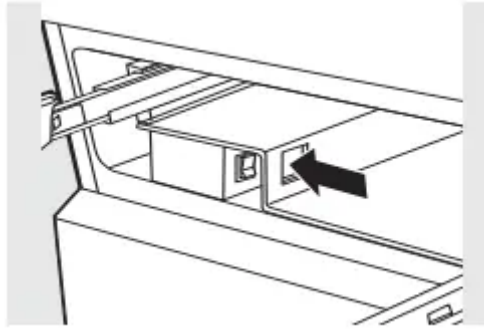
To reach the icemaker power switch, pull the shelf above the ice bin straight out. Always be sure to replace the shelf.

To access ice, simply pull the bin forward.



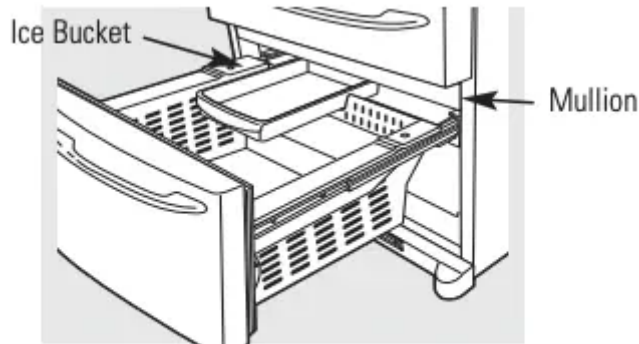
To access ice.

### Accessing Ice and Reaching the Power Switch (Double Drawer Models)



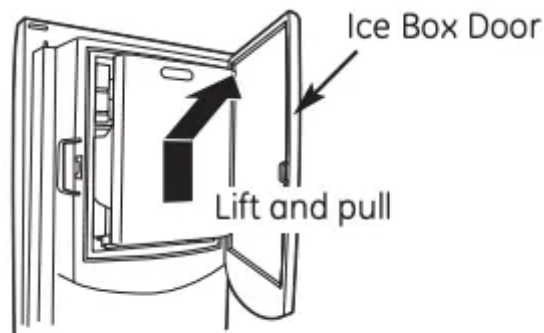
To reach the icemaker power switch, open the top freezer drawer and remove the full-width basket. Always be sure to replace the basket.

To access ice, open the bottom freezer drawer. The ice bucket is located below the mullion. Pull it forward to access the ice.



To access ice.

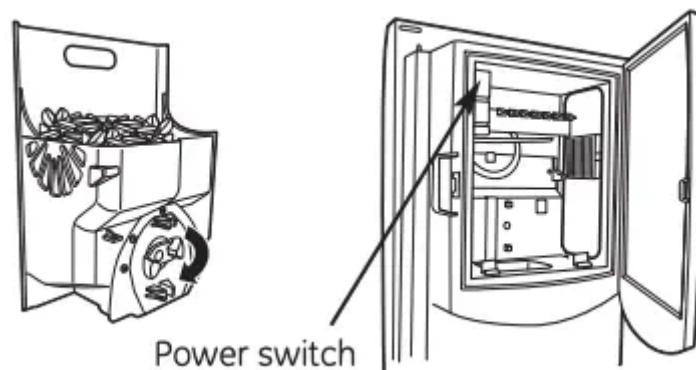
### Accessing Ice and Reaching the Power Switch (Ice & Water Models)



To reach the power switch.

To reach the icemaker power switch and access Ice, open the Ice box door located on the refrigerator door and remove the bucket.



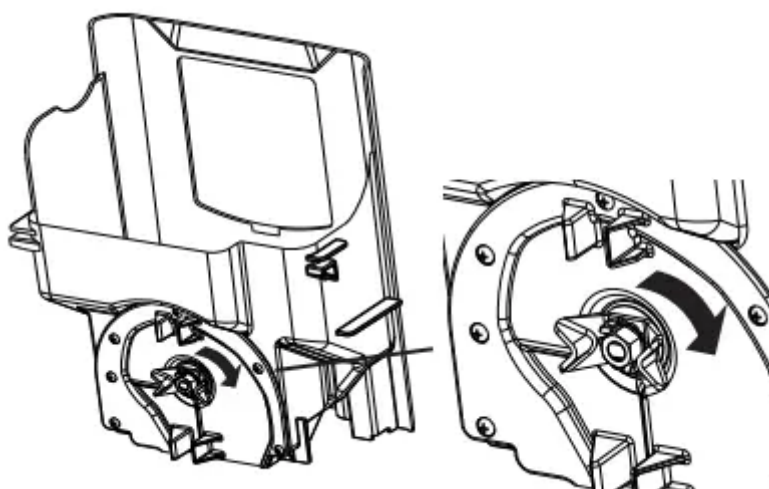


### Ice Bucket and Dispenser

- Pull up and out on the ice bucket to remove it from the compartment .
- To replace the ice bucket, set it on the guide brackets and push until the ice bucket seats properly.
- If bucket cannot be replaced, rotate the Ice Bucket Fork 1/4 turn clockwise.

### Extra Ice Storage

- There is additional ice storage in the freezer compartment drawer.



### Icemaker Accessory Kit

If your refrigerator did not come already equipped with an automatic icemaker, an icemaker accessory kit is available at extra cost. Check the back of the refrigerator for the specific icemaker kit needed for your model.

### About the ice and water dispenser. (on some models)

#### To Use the External Dispenser (on some models)



Select CUBED ICE  , CRUSHED ICE  (or WATER  ).

Press the glass gently against the top of the dispenser cradle. The spill shelf is not self-draining. To reduce water spotting, the shelf and its grille should be cleaned regularly.

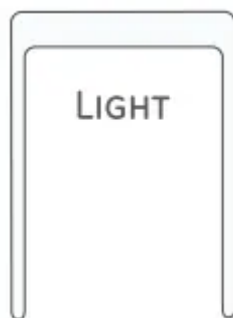
If no water is dispensed when the refrigerator is first installed, there may be air in the water line system. Press the dispenser arm for at least two minutes to remove trapped air from the water line and to fill the water system. To flush out impurities in the water line, throw away the first six glassfuls of water.

**CAUTION:** Never put fingers or any other objects into the ice crusher discharge opening

### Locking the Dispenser

Press the Lock Controls pad for 3 seconds to lock the dispenser and control panel. To unlock, press and hold the pad again for 3 seconds.

### Dispenser Light



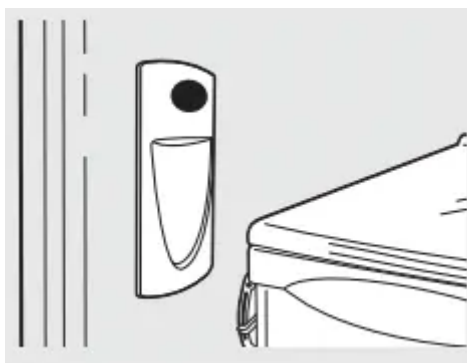
This pad turns the night light in the dispenser on and off. The light also comes on when the dispenser cradle is pressed. If this light burns out, it should be replaced with a 6 watt 12V maximum bulb

#### **Door Alarm (on some models)**



To set the alarm, press this pad until the indicator light comes on. This alarm will sound if either door is open for more than 3 minutes. The light goes out and the beeping stops when you close the door.

#### **To Use the Internal Water Dispenser (on some models)**



The water dispenser is located on the left wall inside the refrigerator compartment.

*To dispense water:*

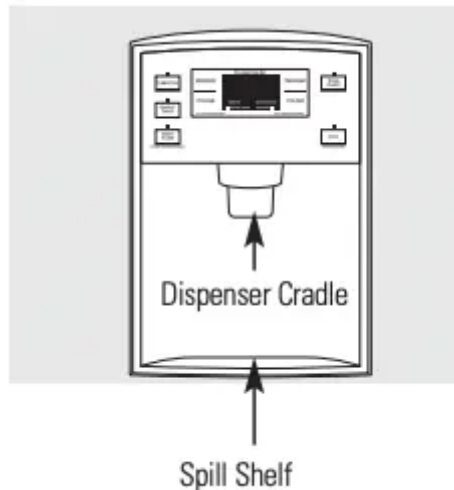
1. Hold the glass against the recess.
2. Push the water dispenser button.
3. Hold the glass underneath the dispenser for 2–3 seconds after releasing the dispenser button. Water may continue to dispense after the button is released.

If no water is dispensed when the refrigerator is first installed, there may be air in the water line system. Press the dispenser button for at least 2 minutes to remove trapped air from the water line

and to fill the water system. During this process, the dispenser noise may be loud as the air is purged from the water line system. To flush out impurities in the water line, throw away the first 6 glassfuls of water.

**NOTE:** To avoid water deposits, the dispenser should be cleaned periodically by wiping with a clean cloth or sponge.

**To Use the External Water Dispenser** (on some models)



Press the glass gently against the top of the dispenser cradle.

The spill shelf is not self-draining. To reduce water spotting, the shelf should be cleaned regularly.

If no water is dispensed when the refrigerator is first installed, there may be air in the water line system. Press the dispenser arm and run 11 gallons to remove trapped air from the water line and to fill the water system. To flush out impurities in the water line, throw away the first six glassfuls of water

#### Locking the Dispenser

Press the LOCK pad for 3 seconds to lock the dispenser and control panel. To unlock, press and hold the pad again for 3 seconds.

#### Door Alarm

To set the alarm, press the DOOR ALARM pad. The indicator light will illuminate. This alarm will sound if either door is open for more than 2 minutes. The beeping stops when you close the door.

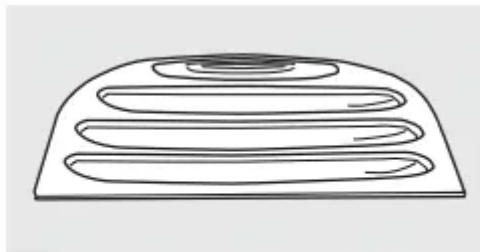
#### **Important Facts About Your Dispenser**

- Do not add ice from trays or bags to the storage drawer. It may not crush or dispense well.
- Avoid overfilling glass with ice and use of narrow glasses. Backed-up ice can jam the chute or cause the door in the chute to freeze shut. If ice is blocking the chute, poke it through with a wooden spoon.

- Beverages and foods should not be quick-chilled in the ice storage drawer. Cans, bottles or food packages in the storage drawer may cause the icemaker or auger to jam.
- To keep dispensed ice from missing the glass, put the glass close to, but not touching, the dispenser opening.
- Some crushed ice may be dispensed even though you selected CUBED ICE. This happens occasionally when a few cubes accidentally get directed to the crusher.
- After crushed ice is dispensed, some water may drip from the chute.
- Sometimes a small mound of snow will form on the door in the ice chute. This condition is normal and usually occurs when you have dispensed crushed ice repeatedly. The snow will eventually evaporate.

## Care and cleaning of the refrigerator

### Cleaning the Outside



Dispenser drip area

The dispenser drip area (on some models), beneath the grille, should be wiped dry. Water left in this area may leave deposits. Remove the deposits by adding undiluted vinegar to the well. Soak until the deposits disappear or become loose enough to rinse away.

The dispenser cradle (on some models). Before cleaning, lock the dispenser by pressing and holding the Lock Controls pad for 3 seconds. Clean with warm water and baking soda solution – about a tablespoon (15ml) of baking soda to a quart (1 liter) of water. Rinse thoroughly and wipe dry.

The door handles and trim. Clean with a cloth dampened with soapy water. Dry with a soft cloth.

Keep the outside clean. Wipe with a clean cloth lightly dampened with kitchen appliance wax or mild liquid dish detergent. Dry and polish with a clean, soft cloth.

Do not wipe the refrigerator with a soiled dish cloth or wet towel. These may leave a residue that can erode the paint. Do not use scouring pads, powdered cleaners, bleach or cleaners containing bleach because these products can scratch and weaken the paint finish.

## Cleaning the Inside

To help prevent odors, leave an open box of baking soda in the fresh food and freezer compartments.

Unplug the refrigerator before cleaning.

If this is not practical, wring excess moisture out of sponge or cloth when cleaning around switches, lights or controls.

Use warm water and baking soda solution – about a tablespoon (15 ml) of baking soda to a quart (1 liter) of water. This both cleans and neutralizes odors. Rinse and wipe dry.

Use of any cleaning solution other than that which is recommended, especially those that contain petroleum distillates, can crack or damage the interior of the refrigerator.

Avoid cleaning cold glass shelves with hot water because the extreme temperature difference may cause them to break. Handle glass shelves carefully. Bumping tempered glass can cause it to shatter.

Do not wash any plastic refrigerator parts in the dishwasher.

## Replacing the light bulbs.

Turning the control to the 0 (off) position does not remove power to the light circuit.

### Refrigerator Lights (on some models)

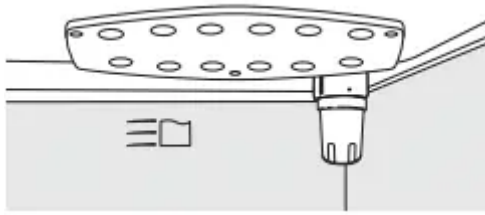


**CAUTION:** Light bulbs may be hot.

1. Unplug the refrigerator.
2. To remove the light shield, grasp the shield at the back and pull out to release the tabs at the back.
3. Rotate the shield down and then forward to release the tabs at the front of the shield.
4. After replacing with an appliance bulb of the same or lower wattage, replace the shield.
5. Plug the refrigerator back in.

**NOTE:** Appliance bulbs may be ordered from GE Parts and Accessories, 800.626.2002.

### LED Refrigerator Lights (on some models)



An authorized technician will need to replace the LED light.

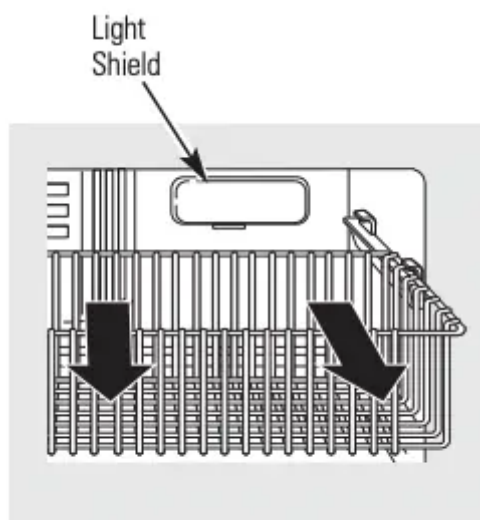
### Refrigerator Compartment (on some models)



There is an LED lighting display in the top and sides of the fresh food compartment and in the rear and side of the freezer compartment on some models.

If this assembly needs to be replaced, call GE Service at 1.800.432.2737 in the United States or 1.800.561.3344 in Canada

### Freezer Light (on some models)



Appearance may vary

**CAUTION:** Light bulbs may be hot.

1. Unplug the refrigerator.

2. Remove the freezer basket for access. The bulb is located at the rear of the freezer inside a light shield.
3. To remove, grasp the shield at the top and pull out to release the tabs at the bottom.
4. After replacing with an appliance bulb of the same or lower wattage, replace the shield and freezer basket.
5. Plug the refrigerator back in.

## **Troubleshooting Tips**

### **Normal operating sounds.**

**Do you hear what I hear? These sounds are normal.**

### **HUMMM... WHOOSH...**

- The new high efficiency compressor may run faster and longer than your old refrigerator and you may hear a high-pitched hum or pulsating sound while it is operating.
- You may hear a whooshing sound when the doors close. This is due to pressure equalizing within the refrigerator.



### **WHIR**

- You may hear the fans spinning at high speeds. This happens when the refrigerator is first plugged in, when the doors are opened frequently or when a large amount of food is added to the refrigerator or freezer compartments. The fans are helping to maintain the correct temperatures.
- The fans change speeds in order to provide optimal cooling and energy savings.

### **CLICKS, POPS, CRACKS and SNAPS**

- You may hear cracking or popping sounds when the refrigerator is first plugged in. This happens as the refrigerator cools to the correct temperature.
- The freezer control will click when starting or stopping the compressor.
- Defrost timer snapping in and out of the defrost cycle.
- Expansion and contraction of cooling coils during and after defrost can cause a cracking or popping sound.
- On models with an icemaker, after an



### **WATER SOUNDS**

- The flow of refrigerant through the freezer cooling coils may make a gurgling noise like boiling water.
- Water dropping on the defrost heater can cause a sizzling, popping or buzzing sound during the defrost cycle.
- A water dripping noise may occur during the defrost cycle as ice melts from the evaporator and flows into the drain pan.
- Closing the door may cause a gurgling sound due to pressure equalization.

icemaking cycle, you may hear the ice cubes dropping into the ice bucket.

- On models with a dispenser, during water dispense, you may hear the water lines move at initial dispense and after dispenser button is released.

**Before you call for service...**



<b>Problem</b>	<b>Possible Causes</b>	<b>What To Do</b>
<b>Refrigerator does not operate</b>	Refrigerator in defrost cycle.	Wait about 30 minutes for defrost cycle to end.
	Control in 0 (off) position.	Move the control to a temperature setting.
	Refrigerator is unplugged.	Push the plug completely into the outlet.
	The fuse is blown/circuit breaker is tripped.	Replace fuse or reset the breaker.
<b>Vibration or rattling slight vibration is normal)</b>	Leveling legs need adjusting.	See Level the Refrigerator.
<b>Motor operates for ong periods or cycles on and off frequently. (Modern refrigerators with more storage space and a larger freezer require more operating time. They start and stop often to maintain even temperatures.)</b>	Normal when refrigerator is first plugged in.	Wait 24 hours for the refrigerator to completely cool down.
	Often occurs when large amounts of food are placed in refrigerator.	This is normal.
	Door left open.	Check to see if package is holding door open.
	Hot weather or frequent door openings.	This is normal.
	Temperature control set at the coldest setting	See About the controls.
	TurboCool function has been activated.	This is normal when the TurboCool function is activated. See About TurboCool for more information.
<b>Refrigerator or freezer compartment too warm</b>	Temperature controls not set cold enough.	<ul style="list-style-type: none"> <li>• See About the controls.</li> </ul>

	Warm weather or frequent door openings.	<ul style="list-style-type: none"> <li>• Set the temperature control one step colder. See About the controls.</li> </ul>
	Door left open.	<ul style="list-style-type: none"> <li>• Check to see if package is holding door open.</li> </ul>
<b>Frost or ice crystals on frozen food (frost within package is normal)</b>	Door left open.	<ul style="list-style-type: none"> <li>• Check to see if package is holding door open.</li> </ul>
	Door openings too frequent or too long.	
<b>Frequent "buzzing" sound</b>	Icemaker power switch is in the I (on) position, but the water supply to the refrigerator has not been connected.	<ul style="list-style-type: none"> <li>• Set the power switch to the 0 (off) position. Keeping it in the I (on) position will damage the water valve.</li> </ul>
<b>Small or hollow cubes</b>	Water filter clogged.	<ul style="list-style-type: none"> <li>• Replace filter cartridge with new cartridge or with plug.</li> </ul>
<b>Automatic icemaker (on some models) does not work</b>	Icemaker power switch is not on.	<ul style="list-style-type: none"> <li>• Set the power switch to the I (on) position.</li> </ul> <p>The icemaker power light will turn green when the freezer light switch is pressed in or when the freezer door is closed.</p>
	Water supply turned off or not connected.	<ul style="list-style-type: none"> <li>• See Installing the water line.</li> </ul>

	Freezer compartment too warm.	<ul style="list-style-type: none"> <li>• Wait 24 hours for the refrigerator to completely cool down.</li> </ul>
	Piled up cubes in the storage bin cause the icemaker to shut off.	<ul style="list-style-type: none"> <li>• Level cubes by hand.</li> </ul>
	Ice cubes stuck in icemaker. (Green power light on icemaker blinking.)	<ul style="list-style-type: none"> <li>• Turn off the icemaker, remove cubes and turn the icemaker back on.</li> </ul>
	Icemaker light is not lit.	<ul style="list-style-type: none"> <li>• This is normal when the freezer door is open. The icemaker power light will turn green when the freezer light switch is pressed in or when the freezer door is closed</li> </ul>
<b>Ice cubes have odor/taste</b>	Food transmitting odor/ taste to ice cubes.	<ul style="list-style-type: none"> <li>• Wrap foods well.</li> </ul>
	Interior of refrigerator needs cleaning.	<ul style="list-style-type: none"> <li>• See Care and cleaning.</li> <li>• Keep an open box of baking soda in the refrigerator; replace every three months.</li> </ul>
<b>Slow ice cube freezing</b>	Door left open.	<ul style="list-style-type: none"> <li>• Check to see if package is holding door open.</li> </ul>
	Freezer control not set cold enough.	<ul style="list-style-type: none"> <li>• See About the controls.</li> </ul>
<b>Refrigerator has odor</b>	Foods transmitting odor to refrigerator.	<ul style="list-style-type: none"> <li>• Foods with strong odors should be tightly wrapped.</li> </ul>

		<ul style="list-style-type: none"> <li>• Keep an open box of baking soda in the refrigerator; replace every three months.</li> </ul>
	Interior needs cleaning.	<ul style="list-style-type: none"> <li>• See Care and cleaning.</li> </ul>
<b>Moisture forms on outside of refrigerator</b>	Not unusual during periods of high humidity.	<ul style="list-style-type: none"> <li>• Wipe surface dry and reset the refrigerator control one setting colder.</li> </ul>
<b>Moisture collects inside (in humid weather, air carries moisture into refrigerator when doors are opened)</b>	Too frequent or too long door openings.	
<b>Refrigerator or freezer compartment light does not work</b>	No power at outlet.	<ul style="list-style-type: none"> <li>• Replace fuse or reset the breaker.</li> </ul>
	Light bulb burned out or loose.	<ul style="list-style-type: none"> <li>• See Replacing the light bulbs.</li> </ul>
<b>Door/drawer does not close by itself</b>	Leveling legs need adjusting.	<ul style="list-style-type: none"> <li>• See Installing the Refrigerator.</li> </ul>
<b>Freezer door/drawer pops open when refrigerator door is closed</b>	This is normal if, after popping open, the freezer door/drawer closed on its own.	<ul style="list-style-type: none"> <li>• This indicates that there is a good seal on the freezer door/drawer. If the freezer door/drawer does not automatically close after popping open, then see the Problem: Door/drawer does not close by itself, above.</li> </ul>

<p><b>Hot air from bottom of refrigerator</b></p>	<p>Normal air flow cooling motor. In the refrigeration process, it is normal that heat be expelled in the area under the refrigerator. Some floor coverings will discolor at these normal and safe temperatures.</p>	
<p><b>Food freezing in the refrigerator</b></p>	<p>Food too close to the air vent at the back of the refrigerator.</p>	<ul style="list-style-type: none"> <li>• Move the food away from the air vent.</li> </ul>
	<p>Refrigerator control is set too cold.</p>	<ul style="list-style-type: none"> <li>• Move the refrigerator control to a warmer temperature setting one increment at a time.</li> </ul>
<p><b>Orange glow in the freezer</b></p>	<p>Defrost heater is on.</p>	<ul style="list-style-type: none"> <li>• This is normal.</li> </ul>
<p><b>Water has poor taste/odor</b></p>	<p>Water dispenser has not been used for a long time.</p>	<ul style="list-style-type: none"> <li>• Dispense water until all water in system is replenished.</li> </ul>
<p><b>Water in first glass is warm</b></p>	<p>Normal when refrigerator is first installed.</p>	<ul style="list-style-type: none"> <li>• Wait 24 hours for the refrigerator to completely cool down.</li> </ul>
	<p>Water dispenser has not been used for a long time.</p>	<ul style="list-style-type: none"> <li>• Dispense water until all water in system is replenished.</li> </ul>
	<p>Water system has been drained.</p>	<ul style="list-style-type: none"> <li>• Allow several hours for replenished supply to chill.</li> </ul>



<b>Water dispenser does not work</b>	Water supply line turned off or not connected.	<ul style="list-style-type: none"> <li>• See Installing the water line.</li> </ul>
	Water filter clogged.	<ul style="list-style-type: none"> <li>• Replace filter cartridge or remove filter and install plug.</li> </ul>
	Air may be trapped in the water system.	<ul style="list-style-type: none"> <li>• Press the dispenser arm for at least 2 minutes.</li> </ul>
	Water in reservoir is frozen because the controls are set too cold.	<ul style="list-style-type: none"> <li>• Set the refrigerator control to a warmer setting and wait 24 hours. If water does not dispense after 24 hours, call for service.</li> </ul>
<b>Water spurting from dispenser</b>	Newly-installed filter cartridge.	<ul style="list-style-type: none"> <li>• Run 1 1/2 gallons from the dispenser to clear the system.</li> </ul>
<b>No water or ice cube production</b>	Supply line or shut-off valve is clogged.	<ul style="list-style-type: none"> <li>• Call a plumber.</li> </ul>
	Water filter clogged.	<ul style="list-style-type: none"> <li>• Replace filter cartridge or remove filter and install plug.</li> </ul>
	Filter cartridge not properly installed.	<ul style="list-style-type: none"> <li>• Remove and reinstall filter cartridge, being certain that it locks into place. The blade on the end of the cartridge should be positioned vertically.</li> </ul>
<b>Water is leaking from dispenser</b>	Glass not being held under the dispenser	<ul style="list-style-type: none"> <li>• Hold the glass underneath the</li> </ul>

	long enough after button is released.	dispenser for 2-3 seconds after releasing the dispenser button. Water may continue to dispense after the button is released.
	Air may be present in the water line system, causing water to drip after being dispensed.	<ul style="list-style-type: none"> <li>• Dispense water for at least 2 minutes to remove air from system.</li> </ul>
<b>My display is showing tc</b>	TurboCool function is activated.	<ul style="list-style-type: none"> <li>• See About TurboCool for more information.</li> </ul>
<b>Water filter indicator light changed color</b>	This is normal.	<ul style="list-style-type: none"> <li>• See About the water filter for more information.</li> </ul>
<b>Water filter indicator light remains red even after replacing the water filter</b>	Water filter indicator must be reset.	<ul style="list-style-type: none"> <li>• Press and hold the RESET WATER FILTER pad for 3 seconds. See About the water filter for more information.</li> </ul>
<b>Water filter indicator light is not lit</b>	This is normal. This light will turn orange to tell you that you need to replace the filter soon. The filter cartridge should be replaced when the replacement indicator light turns red.	<ul style="list-style-type: none"> <li>• See About the water filter for more information.</li> </ul>
<b>Handle is loose / handle has a gap</b>	Handle needs adjusting.	<ul style="list-style-type: none"> <li>• See Attach the Fresh Food handle and Attach the Freezer handle sections for detailed instructions.</li> </ul>



<b>Refrigerator beeping</b>	This is the door alarm.	<ul style="list-style-type: none"> <li>• Close door.</li> </ul>
<b>Control setting is not lit</b>	On some models, the light bulbs at the top of the refrigerator compartment light up the temperature control settings.	<ul style="list-style-type: none"> <li>• If the control settings do not light up, check to see if the light bulbs are burned out, and replace if necessary.</li> </ul>
<b>Refrigerator doors are not even (on Double Door models only)</b>	Doors need realigning.	<ul style="list-style-type: none"> <li>• See Align Double Doors section located under Replacing the Door (Double Door Refrigerator Models only).</li> </ul>

### Warning

This content is compiled from multiple sources and is provided for reference purposes only. It may not be complete or fully applicable to all situations. If you are unable to resolve your issue, please contact the product manufacturer or an authorized service provider for official support.