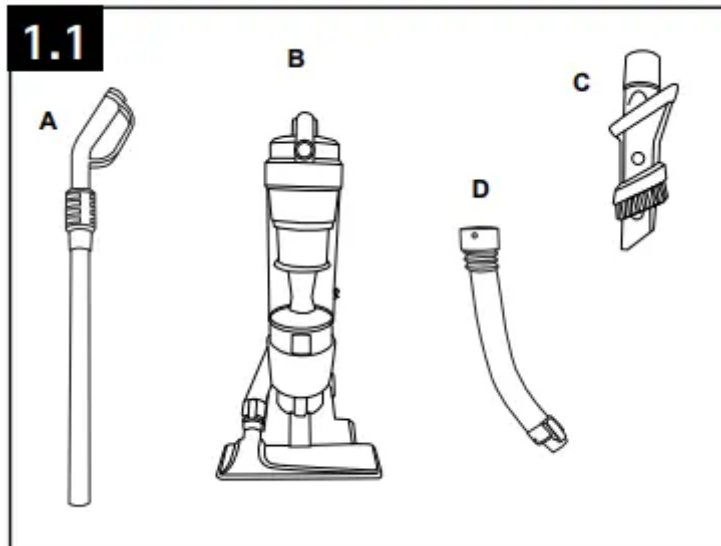


Vacuum ASSEMBLY

Carton contents



A. Handle

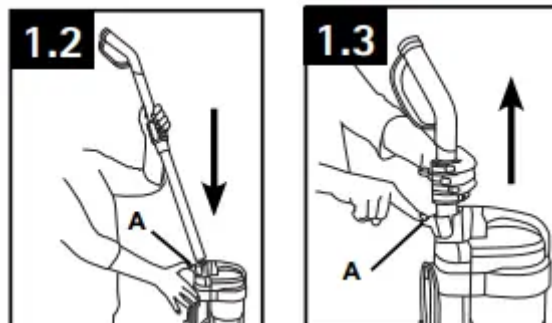
B. Vacuum Base and Dirt Cup

C. 3-in-1 Combination Tool

D. Stair Hose*

- *Available on select models only.
- Remove all parts from carton and identify each item shown.
- Make sure all parts are located before disposing of packing materials.

Attach handle



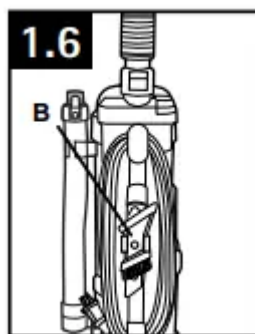
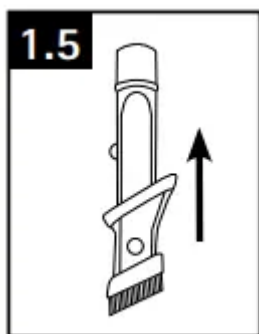
- 1.2 Press lever (A) and Insert handle section into vacuum base.
- 1.3 To remove handle, press lever (A) again and pull handle out of vacuum base

Attach dirt cup



- 1.4 Place bottom of dirt cup into vacuum body first. Pivot cup into vacuum. Press down on the dirt cup release button to secure into place

Position Tools



- 1.5 For storage mode, push dusting brush all the way up onto crevice tool.
- 1.6 Snap combination tool into tool storage area (B) on back side of vacuum.

HOW TO USE

Vacuum Description



1. D-Grip Handle
2. Wand
3. Handle Adjuster
4. ON/OFF Power Switch
5. ON/OFF Brushroll Switch
6. Dirt Cup Release Button
7. Carry Handle
8. Dirt Cup
9. Filter made with HEPA media
10. Rinsable Filter Access
11. 3-in-1 Combination Tool
12. Hose
13. Hose Connection to Handle
14. Hose Release Button
15. Furniture Guard
16. Cord
17. Cord Release

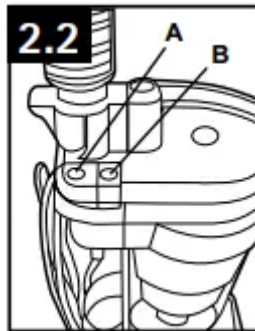
18. Brushroll Window

19. Brushroll Reset Button

20. Stair Hose*

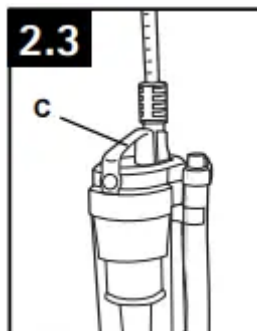
- Operate cleaner only at voltage specified on data plate on bottom of cleaner.
- This cleaner is intended for household use.
- *Available on select models only

ON-OFF Switch



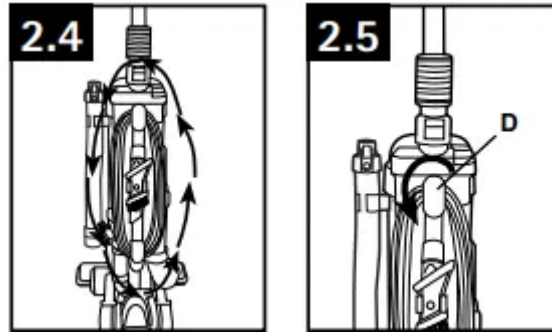
- Plug cord into electrical outlet.
- To turn vacuum ON, push ON/OFF switch (A) once. To turn vacuum OFF, push switch again.
- To turn brushroll ON, push ON/OFF switch (B) once. To turn brushroll OFF, push switch again.

CARRY HANDLE



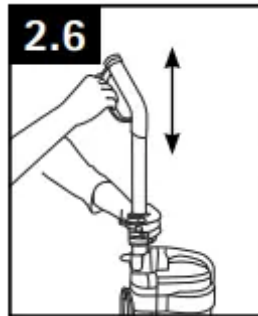
- The cleaner can be moved by using the carry handle (C).

Cord STORAGE



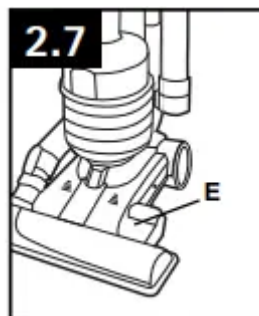
- 2.4 Wrap cord on cord hooks for convenient storage.
- Attach the plug end to the cord.
- 2.5 Twist upper cord hook (D) to allow cord to be released.

Telescopic D-Grip Handle



- 2.6 Slide the telescopic handle release down to easily adjust height of ergonomic handle

Handle positions



- 2.7 The handle of your cleaner has two positions: upright for storage and when using cleaning tools; operating position for general operation on carpet and floors; hold nozzle with foot (E) and pull handle back.

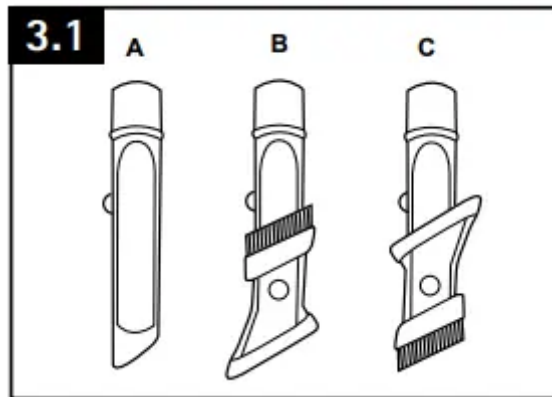
TOOLS

- Tools allow for cleaning surfaces above the floor and for reaching hard to clean areas.

- The vacuum is ready for tool use when handle is in upright position.

Select Proper Tool

3-in-1 Combination Tool



- A. Crevice Tool may be used in tight spaces, corners and along edges in such places as dresser drawers, upholstered furniture, stairs and baseboards.
- B. Use Upholstery Tool to clean upholstered furniture, draperies, mattresses, clothing, and carpeted stairs.
- C. Dusting Brush may be used for carved furniture, table tops, books, lamps, lighting fixtures, venetian blinds, baseboards, shutters, and registers.

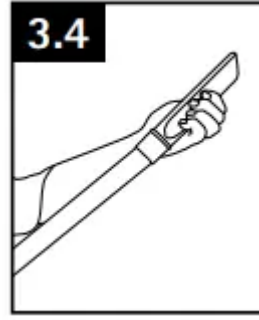
Removing Hose



- 3.2 To remove hose for tool use, press the hose release button and pull hose end out.
- To lock back into place, push hose into hose tube until you hear a click.

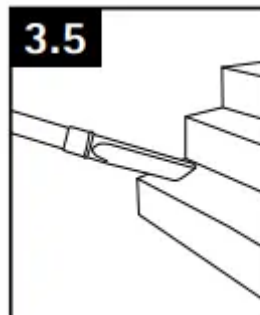
Attach Wand and Tools

WARNING: Unplug vacuum before connecting wand or tools.



- Cleaner must be in the upright position.
- Press handle wand release button and pull handle up to remove.
- Press the hose release button on the nozzle and remove the hose from the nozzle.
- 3.3 Attach the hose to the handle/extension wand. For extended cleaning reach, you may attach the hose to the stair hose*. Choose the 3-in-1 combination tool or use the extension wand alone.
- 3.4 Simply push the attachment firmly on the end of the extension wand or hose. To remove tool, twist and pull apart gently
- *Available on select models only

Stair Cleaning



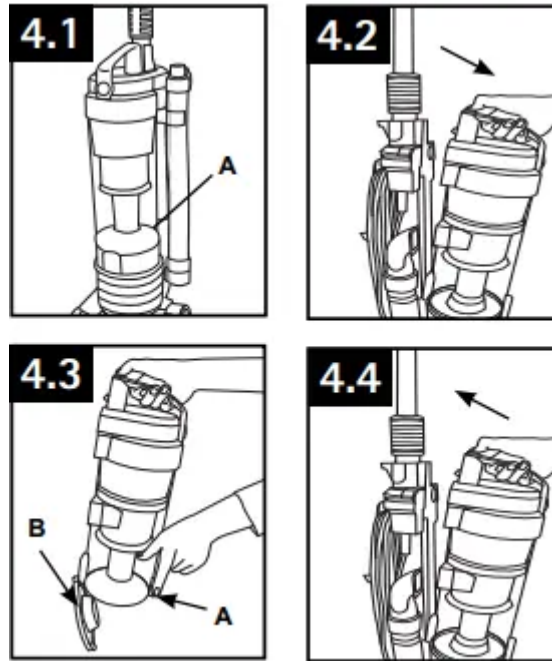
- 3.5 The hose and tools can be used for stair cleaning.

CAUTION ! Use extra care when cleaning on stairs. To avoid personal injury or damage, and to prevent the cleaner from falling, always place cleaner at bottom of stairs on floor. Do not place cleaner on stairs or furniture, as it may result in injury or damage.

MAINTENANCE

- Familiarize yourself with these home maintenance tasks as proper use and care of your vacuum will ensure continued cleaning effectiveness.
- Any other servicing should be done by an authorized service representative.

Dirt Cup: When to Empty



- 4.2 Empty the dirt cup before the dirt cup reaches the max line (A). Place the vacuum in the upright position before removing the dirt cup.

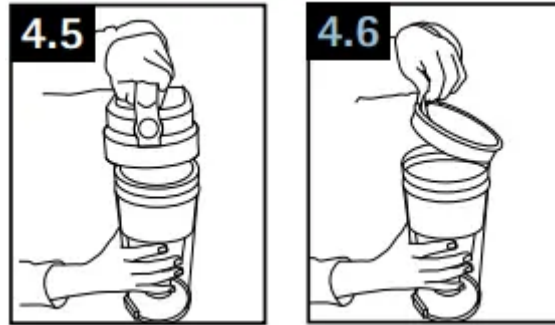
CAUTION

- To reduce the risk of injury from moving parts, unplug vacuum before servicing. Do not use vacuum without dirt cup or filters in place.
- Very fine materials, such as face powder or cornstarch, may seal the filter and cause a reduction in performance. When using the vacuum for this type of dust, empty the cup and clean the filters often.

Dirt Cup: How to Empty

- 4.2 Press dirt cup release button and pivot cup out.
- 4.3 Hold dirt cup over trash receptacle, push dirt cup door release lever (A) to open dirt cup door (B).
- Close dirt cup door (B). Press firmly to secure.
- 4.4 Place bottom of dirt cup into vacuum body first. Pivot dirt cup into vacuum. Press down on the dirt cup release button to secure into place.

Filters: When to Clean



- To maintain optimal performance, filters should be cleaned every two months under normal use.
- CAUTION ! To reduce the risk of injury from moving parts, unplug vacuum before servicing. Do not use vacuum without dirt cup or filters in place

Rinsable Filter: How to Clean

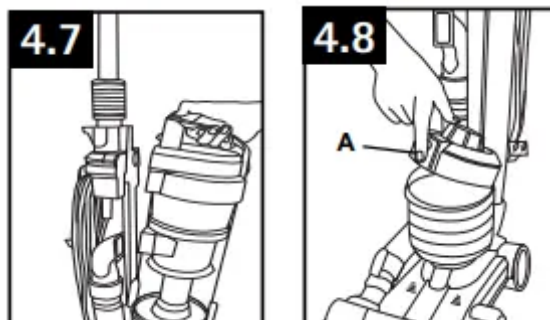
- Remove dirt cup as described in Fig. 4.2.
- 4.5 Twist the dirt cup lid to open.
- 4.6 Pull tab to remove rinsable filter.
- Rinse with water for two minutes or until water runs clear. Then squeeze out excess water. Allow 24 hours for filter to dry completely.
- Replace filter, tab side out.
- Close lid securely by twisting dirt cup lid until it clicks as shown in Fig. 4.5.
- Replace dirt cup as described in Fig 4.4.

Rinsable Filter: What to Buy

- When used and maintained properly, your Rinsable Filter should not need replacement within the warranty period. If desired, additional filter is available. Ask for Hoover® Part No. 303903001

IMPORTANT: Allow filter to dry completely before replacing. Dry filter on edge so air circulates on both sides of filter. This may take up to 24 hours.

Filter Made With HEPA Media: How to Clean





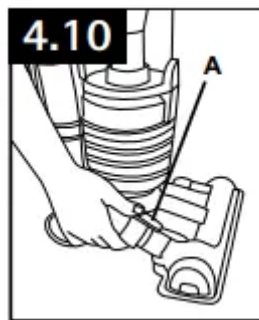
CAUTION ! To reduce the risk of injury from moving parts, unplug vacuum before servicing. Do not use vacuum without dirt cup or filters in place.

- 4.7 Remove dirt cup.
- 4.8 Unlock filter Door (A).
- 4.9 Remove the filter and hold over a trash receptacle and tap out dirt and debris. Return filter and replace dirt cup on vacuum.

IMPORTANT: DO NOT RINSE OR WASH THE FILTER CARTRIDGE.

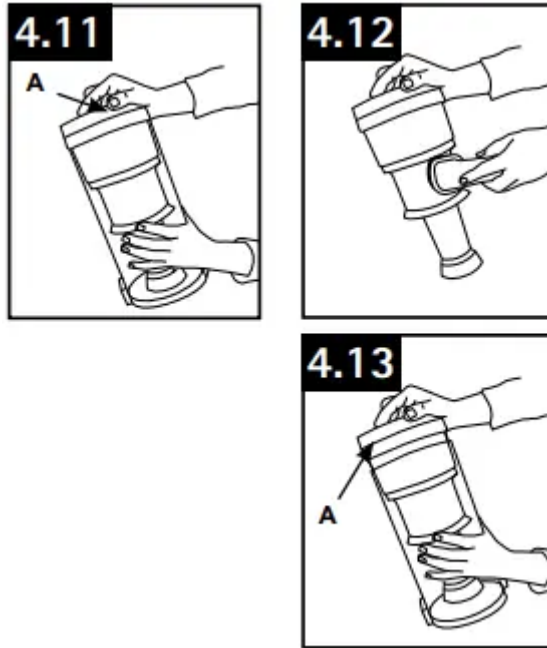
Filter Made With HEPA Media: What to Buy When used and maintained properly, your Filter should not need replacement within the warranty period. If desired, additional filter is available. Ask for Hoover® Part No. 303902001.

HOSE: How to Clean



- **CAUTION !** To reduce the risk of injury from moving parts, unplug vacuum before servicing
- 4.10 To remove hose for tool use, press the hose release button (A) and pull hose end out.
- Clear away debris or obstructions from hose. Do not use sharp objects to clean out hose as they can cause damage. To lock back into place, push hose into hose tube until you hear a click.

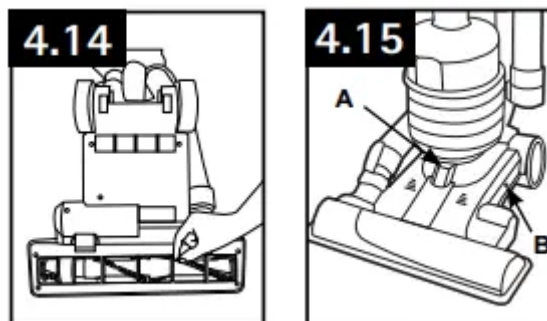
Cyclonic Filter Assembly: How to Clean



CAUTION ! To reduce the risk of injury from moving parts, unplug vacuum before servicing. Do not use vacuum without dirt cup or filters in place.

- Remove dirt cup as described in Fig. 4.2.
- 4.11 Lift the filter assembly (A) up out of the dirt cup.
- 4.12 Dirt and debris can be cleaned from the filter assembly with the dusting/ upholstery tool.
- 4.13 Place the filter assembly (A) on the dirt cup, aligning the D-shaped tab on the top of the dirt cup. Press down firmly to place the filter assembly back in place.
- Replace dirt cup as described in Fig. 4.4.

BRUSHROLL: How to Clean

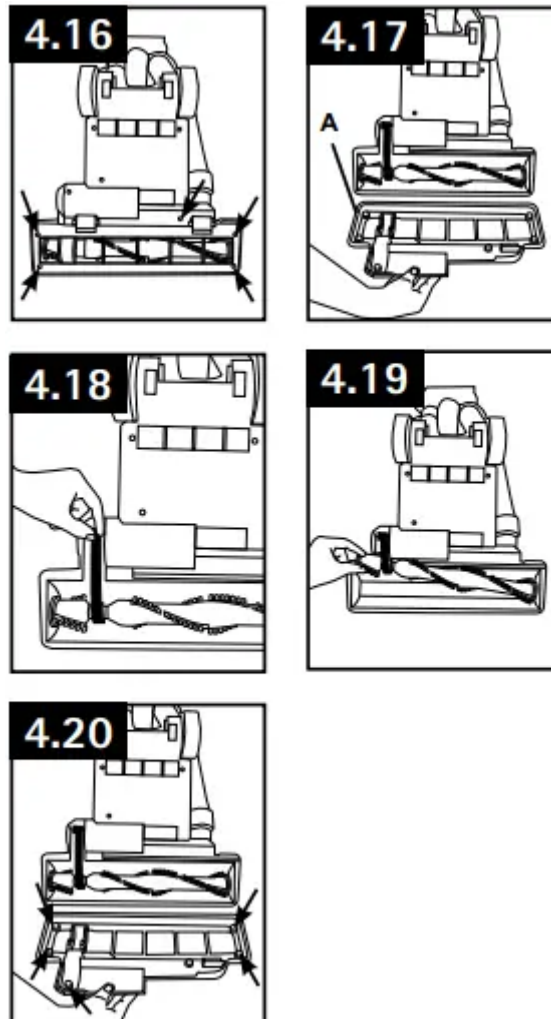


CAUTION ! To reduce the risk of injury from moving parts, unplug vacuum before servicing.

- 4.14 Turn vacuum over so bottom side is facing up. Remove any debris and/or hair from brushroll.

- For additional maintenance required for belt or brushroll please contact a HOOVER® service provider at 1-800-944-9200.
- 4.15 Vacuum is equipped with an automatic brushroll shut off. A red flashing light (A) will indicate a jammed brushroll. To reset the brushroll, press the reset button (B) located on the side of your vacuum. If the light continues to flash red after resetting, the brushroll may still be blocked. Check for obstructions in the brushroll area and remove any obstructions. Press the brushroll reset button to ensure the blockage is fully cleared.

Belt



- CAUTION ! To reduce the risk of injury from moving parts, unplug vacuum before servicing.
- The belt is located under the bottom plate of the vacuum and should be checked from time to time to be sure it is in good condition.

When To Replace

- Replace belt if it is damaged, cut or broken. To check the damaged belt, refer to Fig. 4.16 - 4.18.

How To Replace

- Place handle in the low position and turn the cleaner over so the bottom side is up.
- 4.16 Remove the 6 screws as shown with a Phillips screwdriver.
- 4.17 Lift off bottom plate (A).
- 4.18 Remove agitator brushroll and used belt. Discard used belt.
- 4.19 With the lettering on the outside of the belt and positioned as shown place belt in belt guide on the agitator. Should the agitator become dislodged while replacing the belt, reposition it as shown. Grasp agitator firmly and fit it into position by first sliding end opposite of belt into the rectangular slot on side of cleaner. Pull other side of agitator into place. Turn the agitator making sure the belt is not pinched between agitator and agitator shield.
- 4.20 Place the bottom plate aligning the screw holes and install the 6 screws as shown.

Belt: What to Buy Use only genuine HOOVER® belts with your vacuum. When purchasing a new belt, ask for Belt - HOOVER® part No. 562535001.

TROUBLESHOOTING

- If a minor problem occurs, it usually can be solved quite easily when the cause is found by using the checklist below.
- Any other servicing should be done by an authorized service representative

WARNING ! To reduce risk of personal injury - unplug vacuum before servicing.

PROBLEM	POSSIBLE CAUSE	POSSIBLES
Vacuum won't run	<ol style="list-style-type: none"> 1. Power cord not firmly plugged into outlet 2. Blown fuse or tripped breaker 3. Thermal Protector activated. 4. Automatic brushroll shut-off engaged. 	<ol style="list-style-type: none"> 1. Plug unit in firmly. 2. Check fuse or breaker in home. Replace fuse/reset breaker in home. 3. Unplug and allow vacuum to cool for 30min. (This will reset the thermal protector) 4. Press brushroll reset button.
Vacuum won't pick up or Low suction	<ol style="list-style-type: none"> 1. Rinsable filter and/ or filter made with HEPA media is dirty 2. Dirt Cup full and/ or clogged. 3. Broken or worn belt. 4. Brushroll and/ or hose clogged. 5. Automatic brushroll shut-off engaged. 	<ol style="list-style-type: none"> 1. Clean rinsable filter and or filter made with HEPA media - Pg.10 2. Empty dirt cup - Pg.9. 3. Replace belt - Pg.12. 4. Check hose. Check brushroll - Pg. 11. 5. Press brushroll reset button
Dust escaping from vacuum	<ol style="list-style-type: none"> 1. Dirt cup full. 2. Dirt cup not installed correctly 3. Hose not installed correctly 4. Rinsable and/ or filter made with HEPA media not installed completely. 	<ol style="list-style-type: none"> 1. Empty dirt cup - Pg. 9. 2. Review dirt cup removal & replacement - Pg. 9. 3. Review hose installation - Pg. 7. 4. Review filter removal and cleaning - Pg. 10.
Brushroll will not turn	<ol style="list-style-type: none"> 1. Brushroll switch is off 2. Brushroll is clogged. 	<ol style="list-style-type: none"> 1. Press the brushroll on/off switch - pg 6 2. Clear/ remove debris from brushroll - pg 11
Smoky/burning smell detected	<ol style="list-style-type: none"> 1. Belt broken or stretched 2. Brushroll is clogged. 	<ol style="list-style-type: none"> 1. Replace brushroll belt - Pg 2. Clear/ remove debris from brushroll - Pg. 11.

Warning

This content is compiled from multiple sources and is provided for reference purposes only. It may not be complete or fully applicable to all situations. If you are unable to resolve your issue, please contact the product manufacturer or an authorized service provider for official support.

Document generated by [ManualsFile](#)