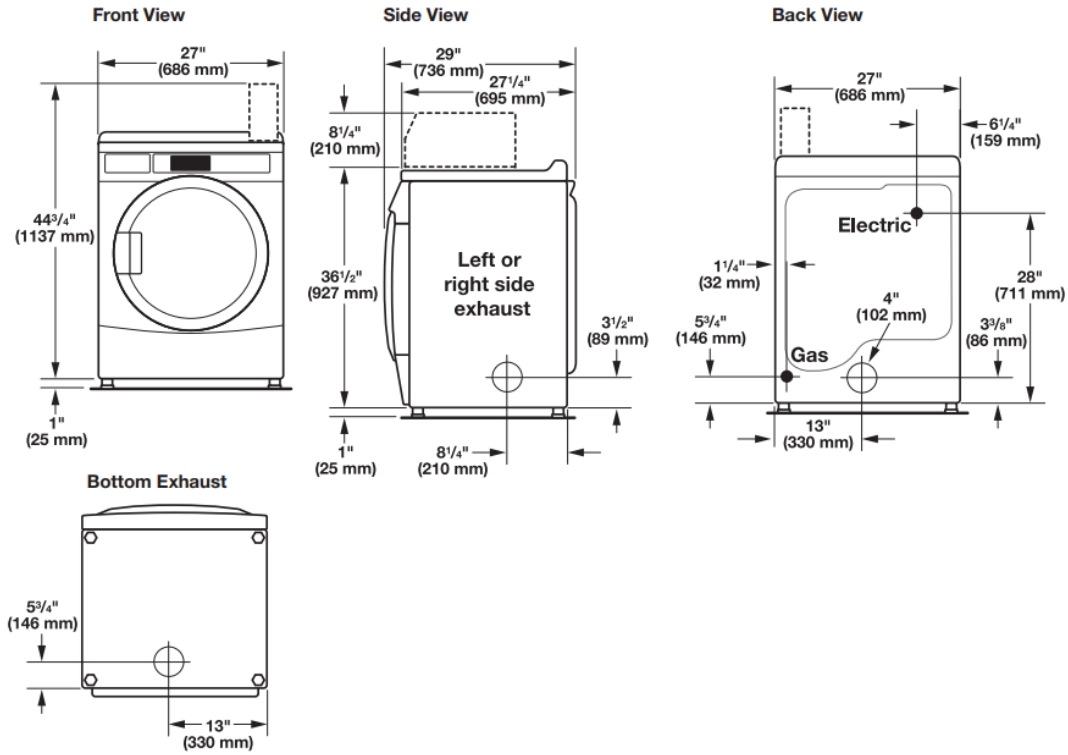


# INSTALLATION INSTRUCTIONS

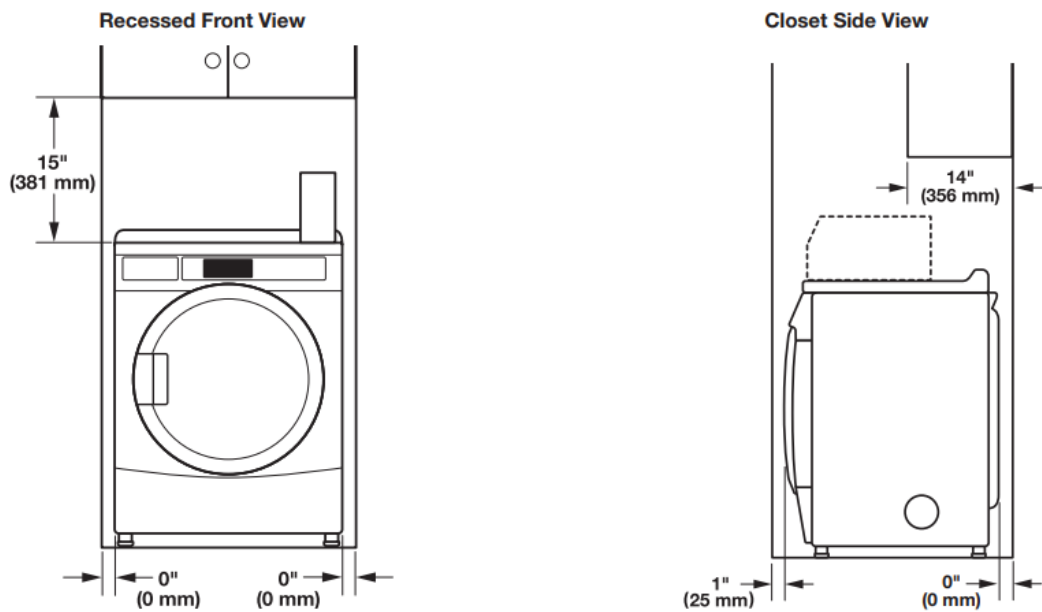
## INSTALLATION REQUIREMENTS

### Dimensions/Clearances

#### Dimensions



#### Clearances



## Venting Requirements

IMPORTANT: Observe all governing codes and ordinances.

- The dryer exhaust must not be connected into any gas vent, chimney, wall, ceiling, attic, crawlspace, or a concealed space of a building. Only rigid or flexible vent shall be used for exhausting.
- Only a 4" (102 mm) heavy, metal exhaust vent and clamps may be used.
- Do not use an exhaust hood with a magnetic latch.
- Use clamps to seal all joints. Do not use screws or other fastening devices that extend into the interior of the duct and catch lint. Do not use duct tape.
- Do not use plastic or metal foil vent.

Rigid metal vent:

- Recommended for best drying performance and to avoid crushing and kinking.

Flexible metal vent (acceptable only if accessible to clean):

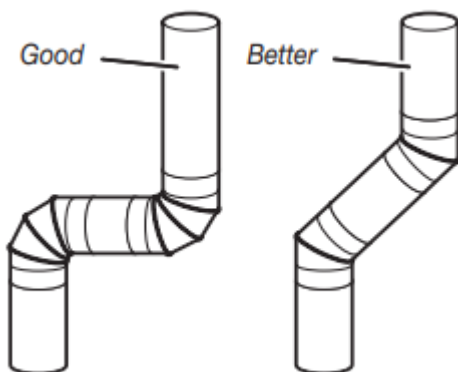
- Must be fully extended and supported in final dryer location.
- Remove excess to avoid sagging and kinking that may result in reduced airflow and poor performance.
- Do not install in enclosed walls, ceilings, or floors.
- The total length should not exceed 7% ft. (2.4 m).

An exhaust hood should cap the vent to prevent rodents and insects from entering the home or business.

Exhaust hood must be at least 12" (305 mm) from the ground or any object that may be in the path of the exhaust (such as flowers, rocks, or bushes).

If using an existing vent system, clean lint from the entire length of the system and make sure exhaust hood is not plugged with lint. Replace any plastic or metal foil vent with rigid metal or flexible metal vent.

Plan installation to use the fewest number of elbows and turns.



Allow as much room as possible when using elbows or making turns. Bend vent gradually to avoid kinking.

Vent outlet is located at the back of the dryer, at bottom center. The vent can be routed up, down, left, right, behind the dryer, or straight out the back of the dryer. See “Product Dimensions” in the “Location Requirements” section.

Make-up air:

Although each single-load dryer should have an unobstructed outdoor air opening of 24 in<sup>2</sup> (154 cm<sup>2</sup>) (based on 1 square inch [6.5 cm<sup>2</sup>] per 1,000 Btu [252 kcal]), common make-up air openings are also acceptable. Set up common openings so that the make-up air is distributed equally to all of the dryers. Keep in mind that the coverage area must be increased by 33% to account for use of registers or louvers over the openings. Also, make-up air openings should not be installed near the location of exhaust vents exiting the building.

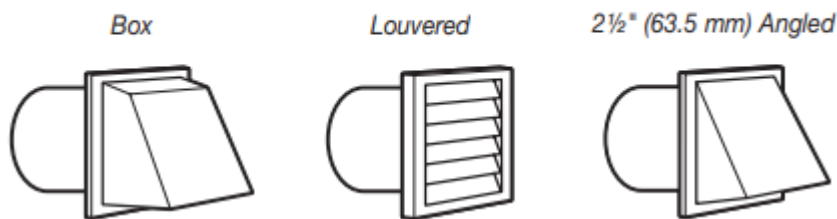
### Vent System Length

Maximum length of vent system depends upon the type of vent used, number of elbows, and type of exhaust hood.

The maximum length for rigid vent is shown in the chart.

Maximum Vent Length

#### 4" (102 mm) Diameter Exhaust Hoods



Vent System Chart (Rigid Metal Vent)

No. of 90° Turns	Box and Louvered Hood	Angled Hood
0	64 ft. (19.5 m)	58 ft. (17.7 m)
1	54 ft. (16.5 m)	48 ft. (14.6 m)
2	44 ft. (13.4 m)	38 ft. (11.6 m)
3	35 ft. (10.7 m)	29 ft. (8.8 m)
4	27 ft. (8.2 m)	21 ft. (6.4 m)

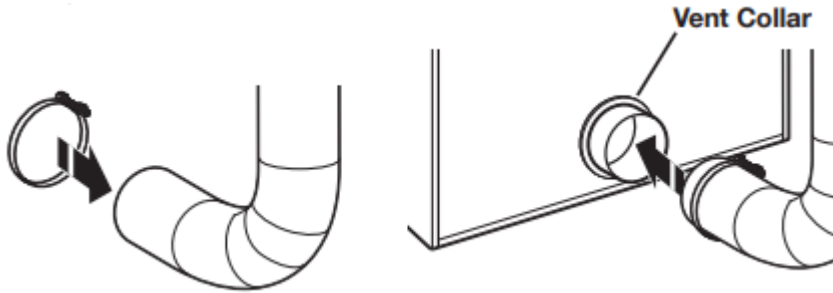
For vent systems not covered by the vent specification chart, see your parts distributor.

Provision must be made for enough air for combustion and ventilation. (Check governing codes and ordinances.) See “Recessed Area and Closet Installation Instructions” in the “Location Requirements” sections.

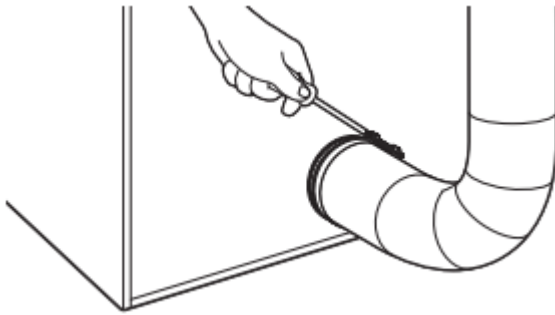
A 4" (102 mm) outlet hood is preferred. However, a 2 1/2" (64 mm) outlet exhaust hood may be used. A 2" (51 mm) outlet creates greater back pressure than other hood types. For permanent installation, a stationary vent system is required.

### Connect Vent

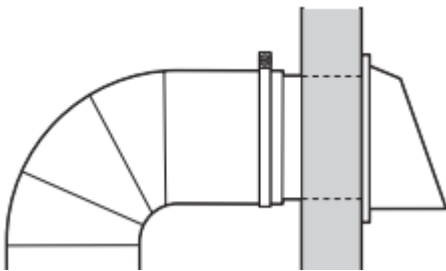
1. If connecting to existing vent, make sure the vent is clean.
2. Using a 4" (102 mm) clamp, connect vent to exhaust outlet in dryer.



3. Tighten hose clamp with Phillips screwdriver.



4. Make sure the vent is secured to exhaust hood with a 4" (102 mm) clamp.
5. Move dryer into final position. Do not crush or kink vent. Make sure dryer is level.



NOTE: Testing for proper ventilation should be done with a Manometer. Minimum: 0.01" (0.2 mm). Maximum: 0.6" (16 mm).

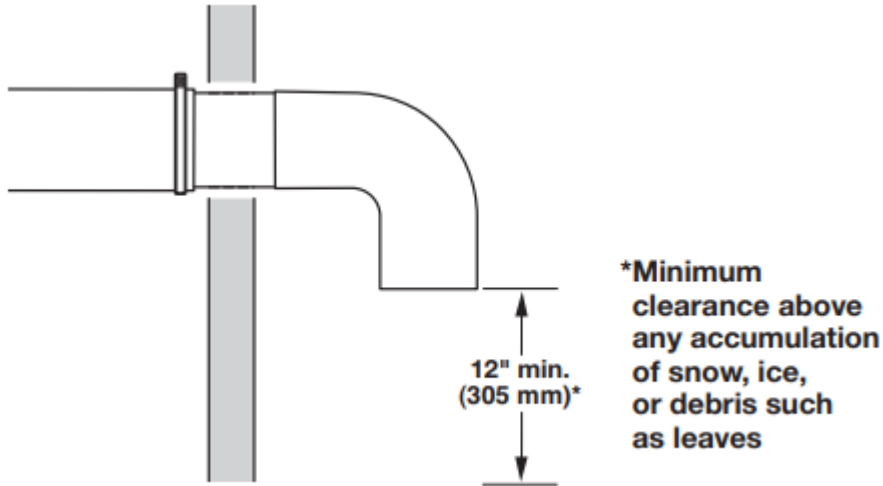
For vent systems not covered by the vent specification chart, see your parts distributor.

If dryer is installed in a confined area, such as a bedroom, bathroom, or closet, provision must be made for enough air for combustion and ventilation. (Check governing codes and ordinances.) See "Recessed Area and Closet Installation Instructions" in the "Location Requirements" section.

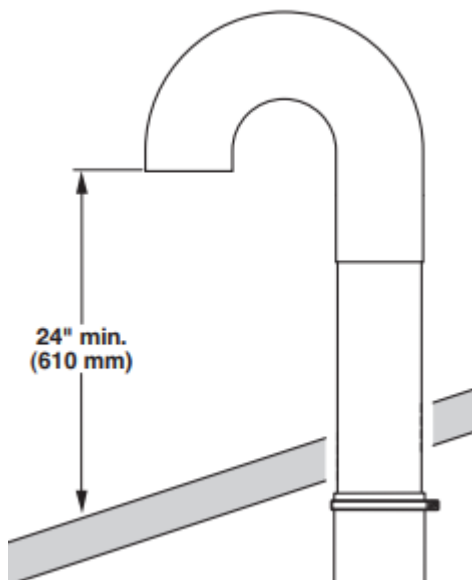
A 4" (102 mm) outlet hood is preferred. However, a 2 1/2" (64 mm) outlet exhaust hood may be used. A 2" (51 mm) outlet creates greater back pressure than other hood types. For permanent installation, a stationary vent system is required.

### If An Exhaust Hood Cannot Be Used

The outside end of the main vent should have a sweep elbow directed downward.



If the main vent travels vertically through the roof, rather than through the wall, install a 180° sweep elbow on the end of the vent at least 2 ft. (610 mm) above the highest part of the building. The opening in the wall or roof shall have a diameter 1/2" (13 mm) larger than the vent diameter. The vent should be centered in the opening. Do not install screening or cap over the end of the vent.



### Multiple Dryer Venting

- A main vent can be used for venting a group of dryers. The main vent should be sized to remove 200 CFM of air per dryer. Large-capacity lint screens of proper design may be

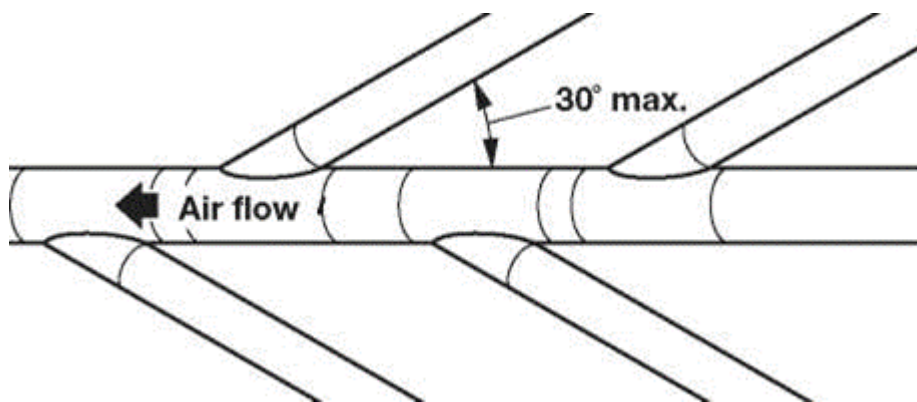


used in the main vent if checked and cleaned frequently. The room where the dryers are located should have make-up air equal to or greater than the CFM of all the dryers in the room.

- A back-draft damper kit is needed and is available from a commercial laundry distributor; it should be installed in the vent of each dryer to prevent exhausted air from returning into the dryers and to keep the exhaust in balance within the main vent. Unobstructed return air openings are required.

Each vent should enter the main vent at an angle pointing in the direction of the airflow. Vents entering from the opposite side should be staggered to reduce the exhausted air from interfering with the other vents.

The maximum angle of each vent entering the main vent should be no more than 30°.



Keep air openings free of dry cleaning fluid fumes. Fumes create acids which, when drawn through the dryer heating units, can damage dryers and items being dried.

A clean-out cover should be located on the main vent for periodic cleaning of the vent system.

## Gas Dryer Installation Requirements

### Location Requirements

**IMPORTANT:** Do not install or store the dryer where it will be exposed to water and/or the weather. Proper installation is your responsibility.

You will need:

- A grounded electrical outlet located within 6 ft. (1.8 m) of where the power cord is attached to the back of the dryer. See "Electrical Requirements."
- A level floor with a maximum slope of 1" (25 mm) under entire dryer. Installing the dryer on soft floor surfaces, such as carpets or surfaces with foam backing, is not recommended.

### Gas dryer installation clearances

- The location must be large enough to allow the dryer door to be fully opened.

- Additional spacing should be considered for ease of installation and servicing. The door opens more than 180°.
- Additional clearances might be required for wall, door, and floor moldings.
- Additional spacing of 1" (25 mm) on all sides of the dryer is recommended to reduce noise transfer.

When installing a gas dryer:

**IMPORTANT:** Observe all governing codes and ordinances.

- Check code requirements: Some codes limit or do not permit installation of clothes dryers in garages, closets, or sleeping quarters. Contact your local building inspector.

Make sure that lower edges of the cabinet, plus the back and bottom sides of the dryer, are free of obstructions to permit adequate clearance of air openings for combustion air. See "Recessed Area and Closet Installation Instructions" below for minimum spacing requirements.

### ***Recessed Area and Closet Installation Instructions***

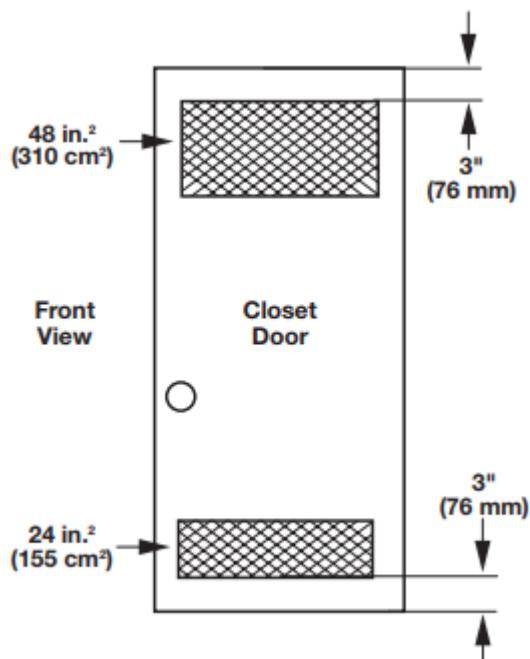
This dryer may be installed in a recessed area or closet. For recessed area and closet installations, minimum clearances can be found on the warning label on the rear of the dryer or in "Dimensions/Clearances."

The installation spacing is in inches and is the minimum allowable. Additional spacing should be considered for ease of installation, servicing, and compliance with local codes and ordinances.

If closet door is installed, the minimum unobstructed air opening in the top and bottom is required. Louvered doors with equivalent air openings are acceptable.

The dryer must be exhausted outdoors.

No other fuel-burning appliance may be installed in the same closet as the dryer.



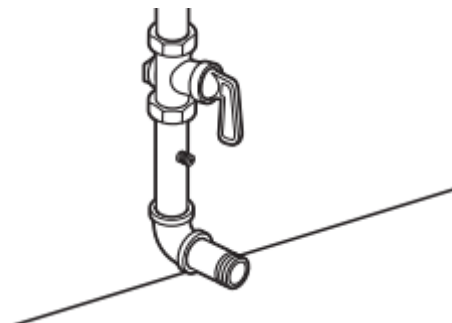
### Type of Gas

This dryer is equipped for use with natural gas. It is design certified by CSA International for propane and butane gases with appropriate conversion. No attempt shall be made to convert dryer from gas specified on serial/rating plate for use with a different gas without consulting the serving gas supplier. Conversion must be done by a qualified service technician. Gas conversion kit part number is W10402145. This number can also be found on a label on the gas valve burner base.

### Gas Supply Line

#### **Recommended Method**

Provide a gas supply line of 1/2" (13 mm) rigid (IPS) pipe to dryer location. Pipe joint compounds that resist action of propane gas must be used. Do not use TEFLON®† tape. With propane gas, piping or tubing size can be 1/2" (13 mm) minimum. Usually, propane gas suppliers determine size and materials used in the system.



### Gas Supply Pressure Testing

A 1/8" NPT minimum plugged tapping, accessible for gauge testing, must be installed immediately downstream of the installed shut-off valve to the dryer (as shown above). The dryer must be

disconnected from the gas supply piping system during any pressure testing of the system at test pressures in excess of 1/2" psig (352 kg/m<sup>2</sup> ). The dryer must be isolated from the gas supply piping system by closing the equipment shut-off valve during any pressure testing of the gas supply piping system at test pressures equal to or less than 1/2" psig (352 kg/m<sup>2</sup> ).

**Expected Pressures For Gas Supply**

	Minimum Inches of Water	Maximum Inches of Water
Natural Gas	5.2	10.5
Propane Gas	8.0	13.0

**Alternate Method**

The gas supply may also be connected using 3/8" (10 mm) approved copper or aluminum tubing. If the total length of the supply line is more than 20 ft. (6.1 m), larger tubing will be required.

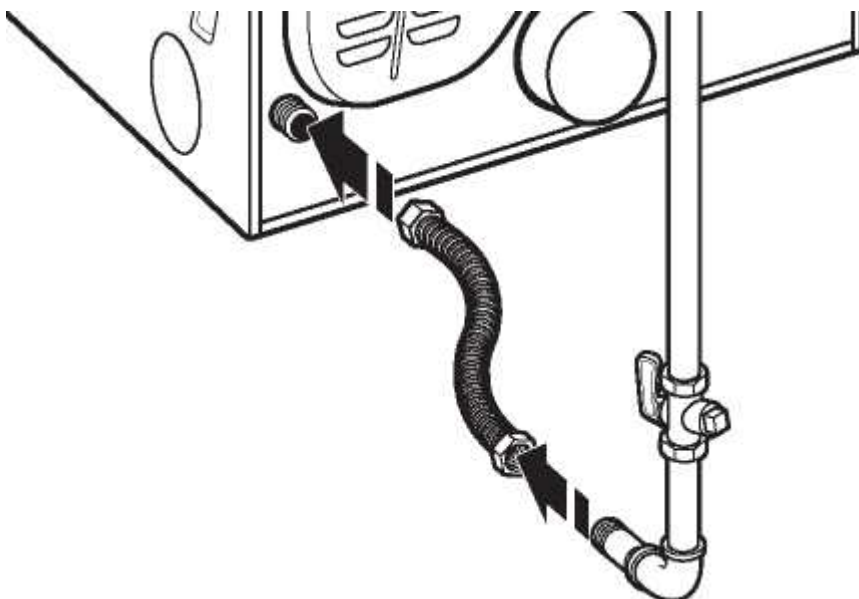
If using natural gas, do not use copper tubing. Pipe joint compounds that resist action of type of gas supplied must be used.

**Shut-off valve required**

The supply line must be equipped with a manual shut-off valve installed within 6 ft. (1.8 m) of dryer in accordance with National Fuel Gas Code, aNsi Z223.1. This valve should be located in same room as dryer. It should be in a location that allows ease of opening and closing. Do not block access to shut-off valve. In Canada, an individual manual shut-off valve must be installed in accordance with the B149 installation codes CAN/CGA B149.1 and CAN/CGA B149.2.

**Flexible Metal Appliance Connector**

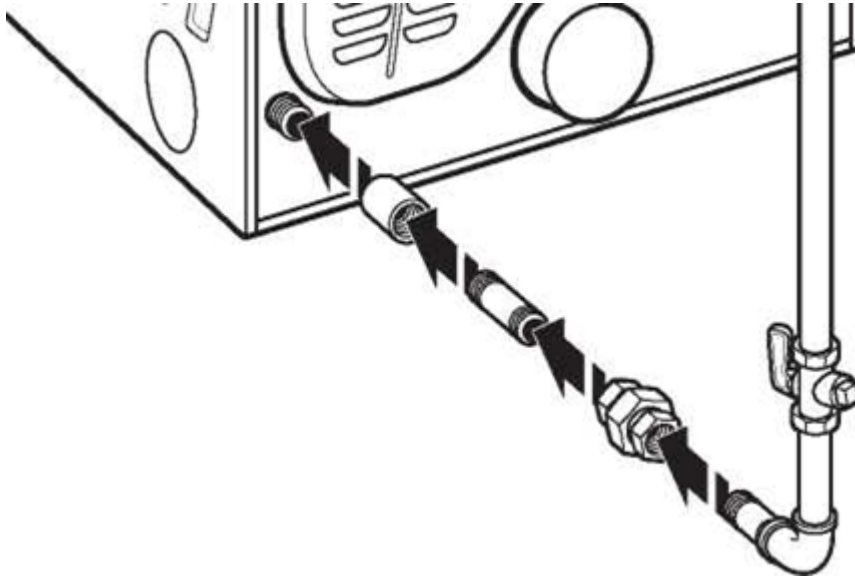
It is recommended that a new flexible stainless steel gas line, design-certified by CSA International, be used for connecting the dryer to the gas supply line. (The gas pipe which extends through the lower rear of the dryer is provided with 3/8" male pipe thread.)



NOTE: Do not kink or damage the flexible stainless steel gas line when moving the dryer.

### ***Rigid Pipe Connection***

The rigid pipe connection requires a combination of pipe fittings to obtain an in-line connection to the dryer.



## **Electric Dryer Installation Requirements**

### **Location Requirements**

IMPORTANT: Do not install or store the dryer where it will be exposed to water and/or the weather. Proper installation is your responsibility.

You will need:

- A grounded electrical outlet located within 6 ft. (1.8 m) of where the power cord is attached to the back of the dryer. See “Electrical Requirements.”
- A level floor with a maximum slope of 1" (25 mm) under entire dryer. Installing the dryer on soft floor surfaces, such as carpets or surfaces with foam backing, is not recommended.

### **Electric dryer installation clearances**

- The location must be large enough to allow the dryer door to be fully opened.
- Additional spacing should be considered for ease of installation and servicing. The door opens more than 180°.
- Additional clearances might be required for wall, door, and floor moldings.
- Additional spacing of 1" (25 mm) on all sides of the dryer is recommended to reduce noise transfer.

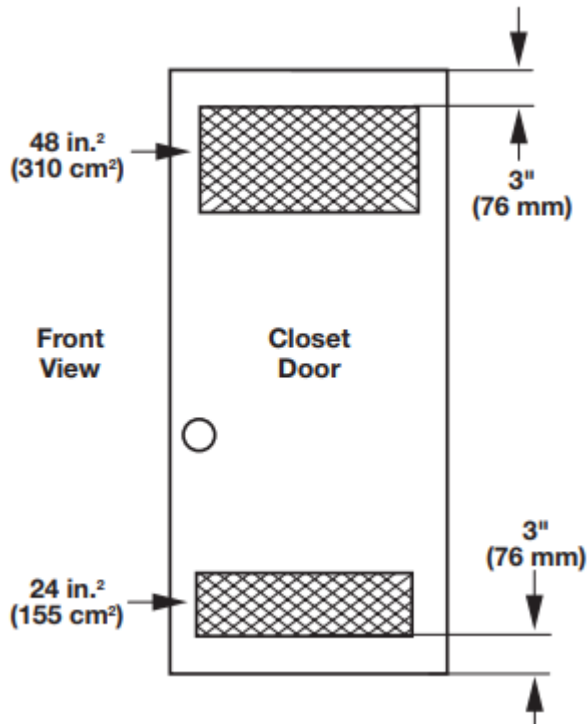
### ***Recessed Area and Closet Installation Instructions***

This dryer may be installed in a recessed area or closet. For recessed area and closet installations, minimum clearances can be found on the warning label on the rear of the dryer or in “Dimensions/Clearances.”

The installation spacing is in inches and is the minimum allowable. Additional spacing should be considered for ease of installation, servicing, and compliance with local codes and ordinances.

If closet door is installed, the minimum unobstructed air opening in the top and bottom is required. Louvered doors with equivalent air openings are acceptable.

The dryer must be exhausted outdoors



### Electrical Requirements - U.S.A. only

It is your responsibility:

- To contact a qualified electrical installer.
- To be sure that the electrical connection is adequate and in conformance with the National Electrical Code, ANSI/NFPA 70-latest edition and all local codes and ordinances.
- The National Electrical Code requires a 4-wire power supply connection for homes built after 1996, dryer circuits involved in remodeling after 1996, and all mobile home installations.
- A copy of the above code standards can be obtained from: National Fire Protection Association, One Batterymarch Park, Quincy, MA 02269.
- To supply the required 3- or 4-wire, single-phase, 120/240 V, 60 Hz, AC-only electrical supply (or 3- or 4-wire, 120/208 V electrical supply, if specified on the serial/rating plate) on a separate 30 A circuit, fused on both sides of the line. A time delay fuse or circuit breaker is

recommended. Connect to an individual branch circuit. Do not have a fuse in the neutral or grounding circuit.

- Do not use an extension cord.
- If codes permit and a separate ground wire is used, it is recommended that a qualified electrician determine that the ground path is adequate.

### ***Electrical Connection***

To properly install your dryer, you must determine the type of electrical connection you will be using and follow the instructions provided for it here.

- This dryer is manufactured ready to install with a 3-wire electrical supply connection. The neutral ground conductor is permanently connected to the neutral conductor (white wire) within the dryer. If the dryer is installed with a 4-wire electrical supply connection, the neutral ground conductor must be removed from the external ground connector (green screw), and secured under the neutral terminal (center or white wire) of the terminal block. When the neutral ground conductor is secured under the neutral terminal (center or white wire) of the terminal block, the dryer cabinet is isolated from the neutral conductor.
- If local codes do not permit the connection of a neutral ground wire to the neutral wire, see “Optional 3-wire connection” section.
- A 4-wire power supply connection must be used when the appliance is installed in a location where grounding through the neutral conductor is prohibited. Grounding through the neutral is prohibited for (1) new branch-circuit installations and (2) areas where local codes prohibit grounding through the neutral conductor.

### **Direct Wire**

If connecting by direct wire:

Power supply cable must match power supply (4-wire or 3-wire) and be:

- Flexible armored cable or nonmetallic sheathed copper cable (with ground wire), covered with flexible metallic conduit. All current-carrying wires must be insulated.
- 10-gauge solid copper wire (do not use aluminum).
- At least 5 ft. (1.52 m) long.

## **INSTALLATION INSTRUCTIONS – GAS DRYER**

### **Make Gas Connection**

1. Remove red cap from gas pipe on back of dryer.
2. Connect gas supply to dryer. Use a pipe thread compound approved for the type of gas supplied. If flexible metal tubing is used, be certain there are no kinks. If necessary for

service, open the front lower service panel by using a 1/4" nutdriver to remove the 2 hex-head screws from the bottom of the panel. Then lift up on the panel while pulling the bottom of the panel away from the dryer.

3. Open the shut-off valve in the gas supply line and make sure the dryer has its own gas supply opened.
4. Test all connections by brushing on an approved noncorrosive leak-detection solution. Bubbles will show a leak. Correct any leaks found.

## ELECTRIC DRYER ELECTRICAL CONNECTIONS

### Connection Options

#### Power Cord

4-wire receptacle (NEMA Type 14-30R) Go to "Power Supply Cord Connection" section.



3-wire receptacle (NEMA Type 10-30R) Go to "Power Supply Cord Connection" section.

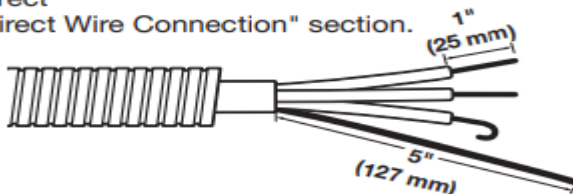


NOTE: If local codes do not permit connection of a cabinet-ground conductor to neutral wire, go to "Connecting 3-Wire Connection: Optional" section. This connection may be used with either a power supply cord or a direct wire connection

#### Direct Wire

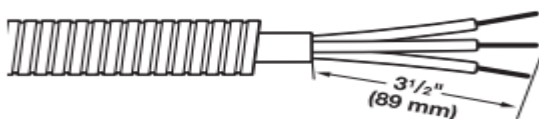
##### 4-wire direct

Go to "Direct Wire Connection" section.



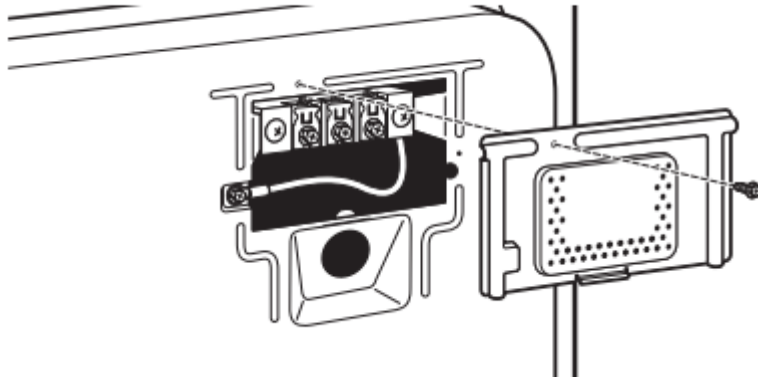
##### 3-wire direct

Go to "Direct Wire Connection" section.



## Power Supply Cord Connection

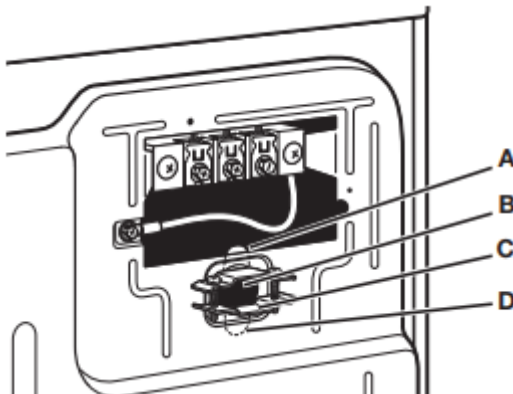
### Remove Terminal Block Cover



Remove hold-down screw and terminal block cover

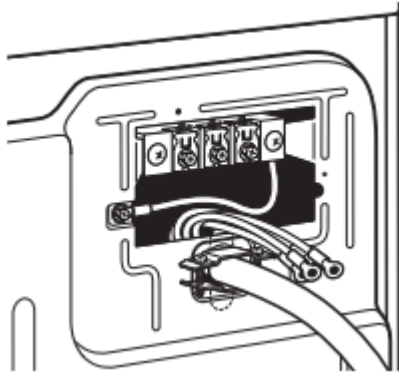
### Power Supply Cord Strain Relief

1. Insert strain relief.



Remove the screws from a 3/4" (19 mm) UL listed strain relief. Put the tabs of the two clamp sections (C) into the hole below the terminal block opening (B) so that one tab is pointing up (A) and the other is pointing down (D), and hold in place. Tighten strain relief screws just enough to hold the two clamp sections (C) together.

2. Insert power cord into strain relief



Put power supply cord through the strain relief. Be sure that the wire insulation on the power supply cord is inside the strain relief. The strain relief should have a tight fit with the dryer cabinet and be in a horizontal position. Do not further tighten strain relief screws at this point.

## Connecting 4-Wire Connection: Power Supply Cord

### Standard Power Supply Cord Connectors



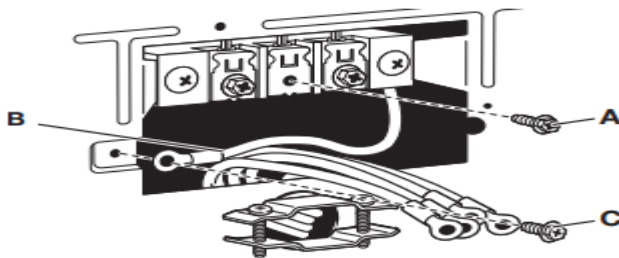
**Flanged Spade Connector**



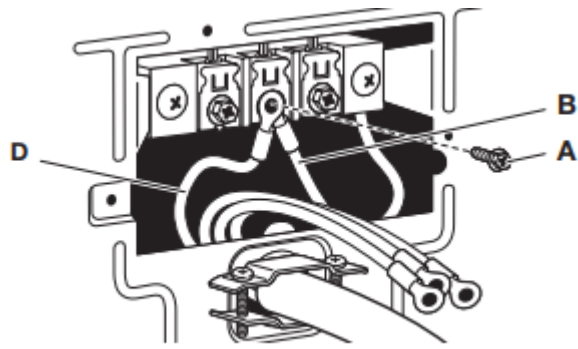
**Ring Connector**

### Connecting Ground and Neutral Wires

1. Remove center terminal block screw (A) and neutral ground wire (B) by removing the external ground conductor screw (C).

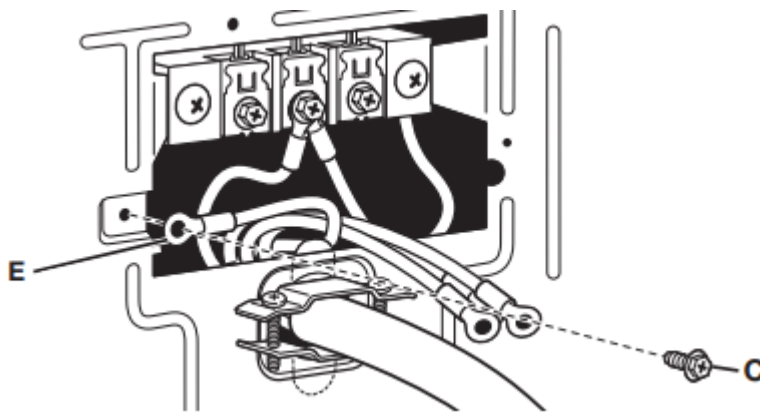


2. Connect neutral ground wire (B) and neutral wire (white or center wire) (D) of power supply cord under center terminal block screw (A). Tighten screw



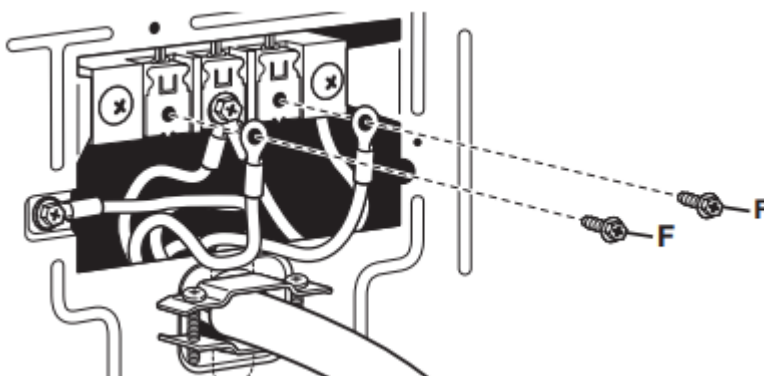
### Connecting Power Cord Ground Wire

3. Connect ground wire (green or bare) (E) of power supply cord under green external ground conductor screw (C). Tighten screw.



### Connecting Remaining Wires

4. Connect remaining wires with outer terminal block screws (F). Tighten screws. Finally, reinstall terminal block cover to dryer rear panel. Secure cover with hold-down screw. Now go to “Venting Requirements.”



## Connecting 3-Wire Connection: Power Supply Cord

### Standard Power Cord Connectors



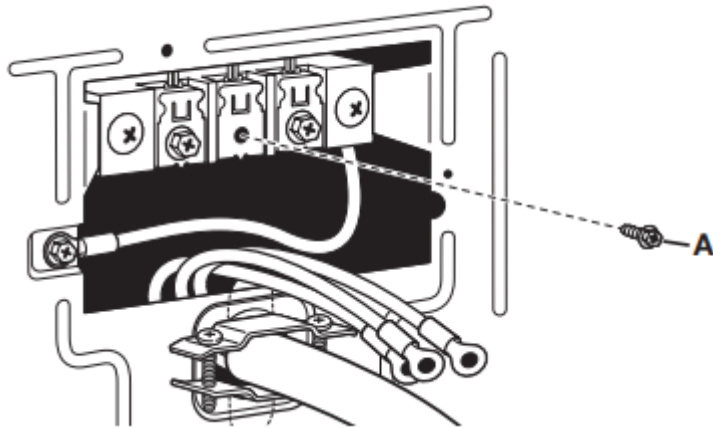
Flanged Spade Connector



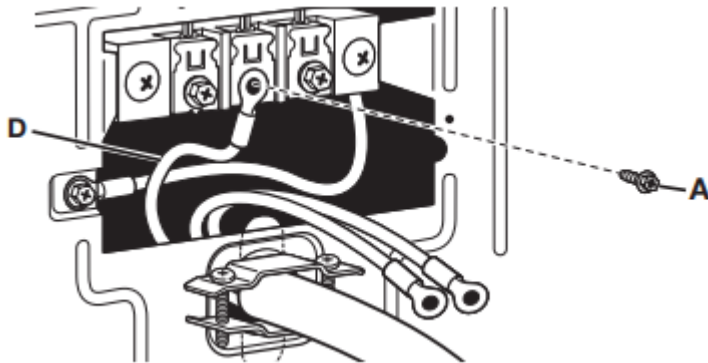
Ring Connector

### Connecting Neutral Wire

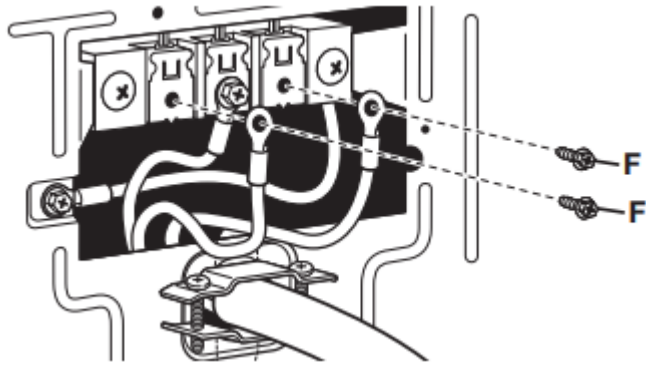
1. Loosen or remove center terminal block screw (A).



2. Connect neutral wire (white or center wire) (D) of power supply cord under center terminal block screw (A). Tighten screw

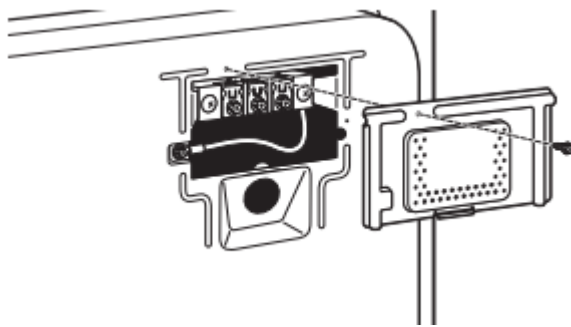


3. Connect remaining wires under outer terminal block screws (F). Tighten screws. Finally, reinstall terminal block cover to dryer rear panel. Secure cover with hold-down screw. Now go to "Venting Requirements."



## Direct Wire Connection

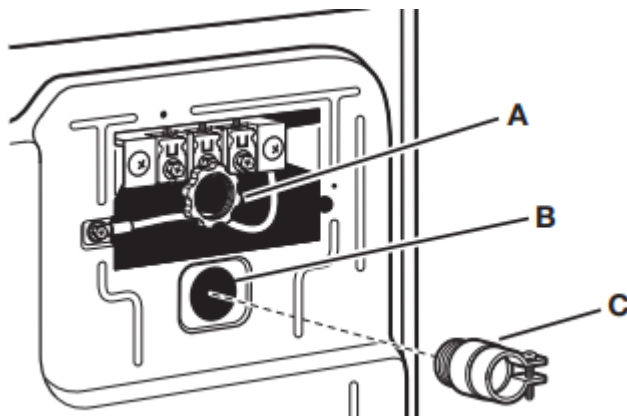
### Remove Terminal Block Cover



Remove hold-down screw and terminal block cover.

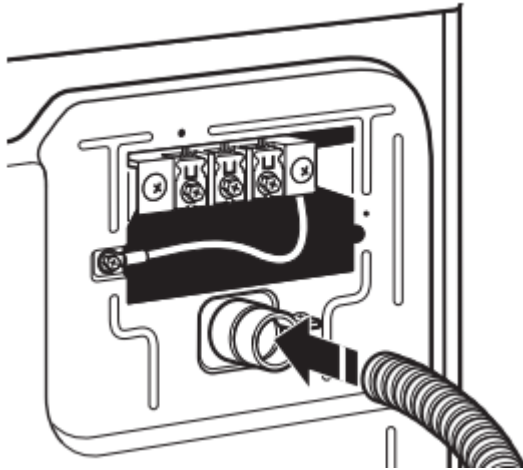
### Direct Wire Strain Relief

1. Insert strain relief



Unscrew the removable conduit connector (A) and any screws from a 3/4" (19 mm) UL listed strain relief). Put the threaded section of the strain relief (C) through the hole below the terminal block opening (B). Reaching inside the terminal block opening, screw the removable conduit connector (A) onto the strain relief threads.

2. Insert conduit into strain relief and tighten clamp.



Put direct wire cable through the strain relief. The strain relief should have a tight fit with the dryer cabinet and be in a horizontal position. Tighten strain relief screw against the direct wire cable.

### Connecting 4-Wire Connection: Direct Wire

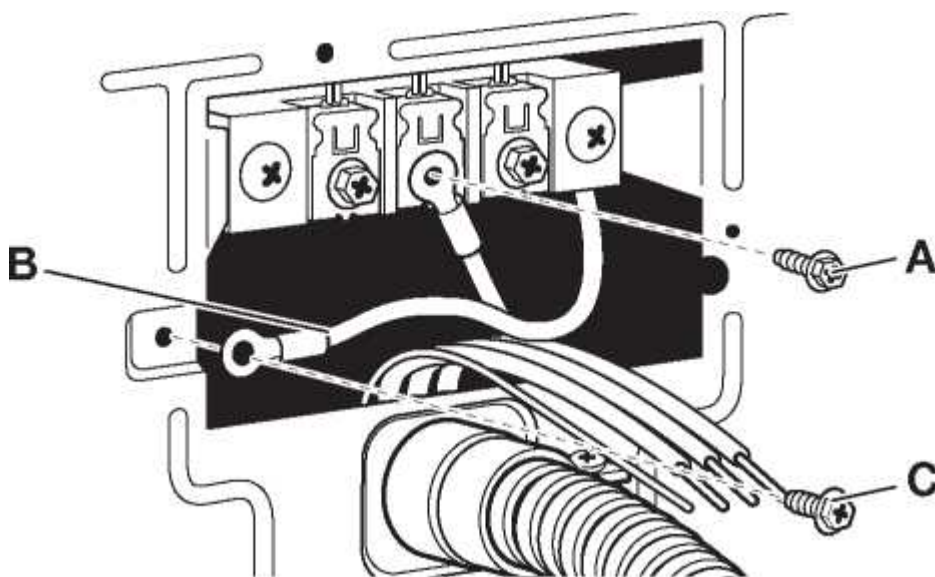
**IMPORTANT:** A 4-wire connection is required for mobile homes and where local codes do not permit the use of 3-wire connections.

Direct wire cable must have 5 ft. (1.52 m) of extra length so dryer can be moved if needed.

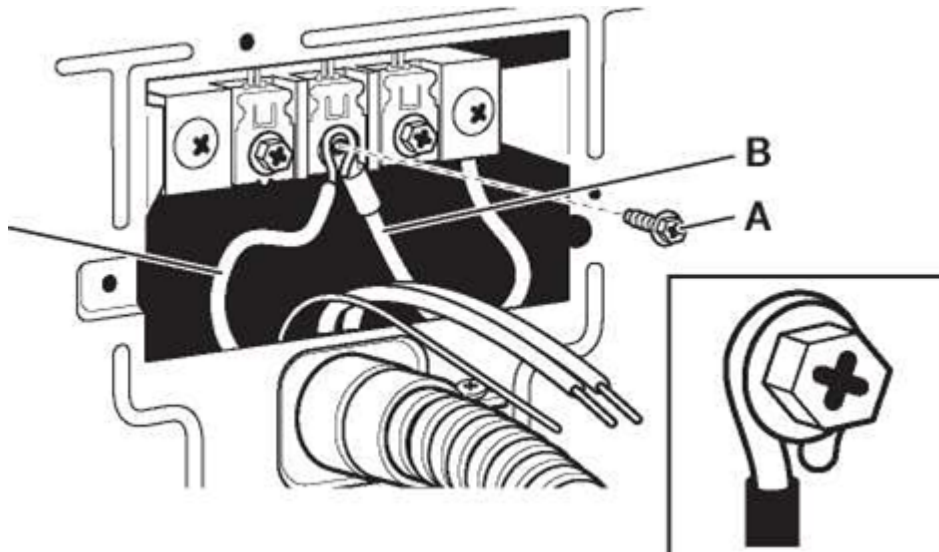
Strip 5" (127 mm) of outer covering from end of cable, leaving bare ground wire at 5" (127 mm). Cut 1 1/2" (38 mm) from three remaining wires. Strip insulation back 1" (25 mm). Shape ends of wires into a hook shape.

### Connecting Neutral Ground and Neutral Wires

1. Remove center terminal block screw (A) and neutral ground wire (B) by removing the external ground connector screw (C).

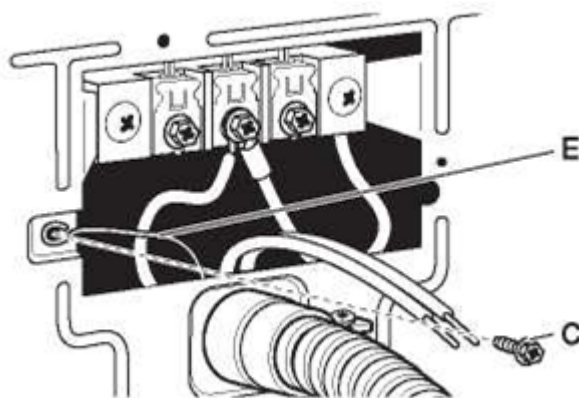


2. Connect neutral ground wire (B) and place hooked end (hook facing right) of neutral wire (white or center wire) cable (D) of direct wire cable under center terminal block screw (A). Squeeze hooked ends together and tighten screw.



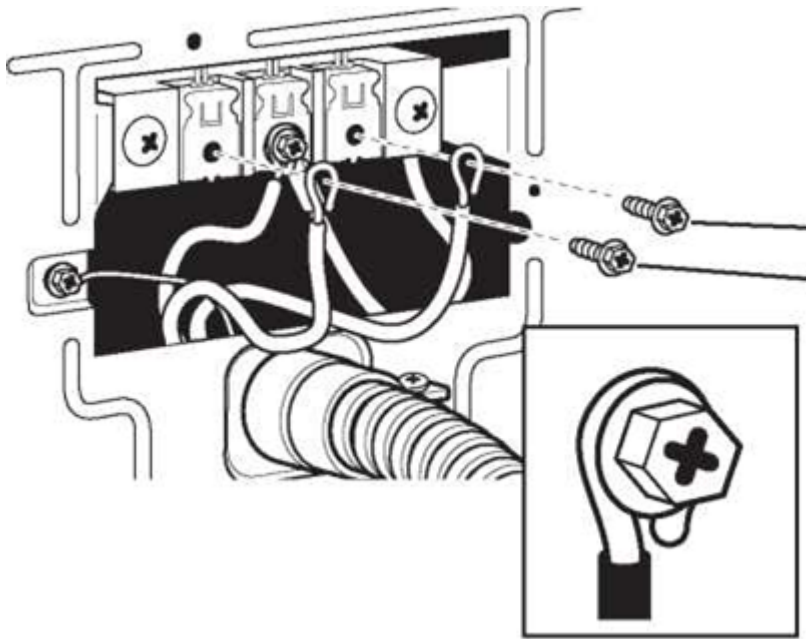
### Connecting Direct Wire Ground

3. Connect ground wire (green or bare wire) (E) of direct wire cable under green external ground conductor screw (C). Tighten screw.



### Connecting Remaining Wires

4. Connect remaining wires under outer terminal block screws (F). Squeeze hooked ends together and tighten screws. Finally, reinstall terminal block cover to dryer rear panel. Secure cover with hold-down screw. Now go to "Venting Requirements."



### Connecting 3-Wire Connection: Direct Wire

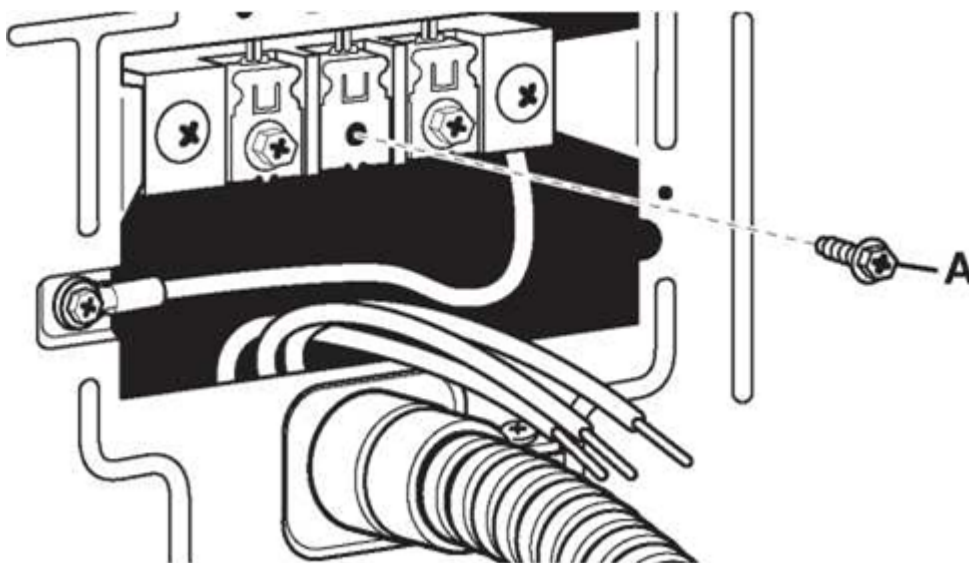
Use where local codes permit connecting cabinet-ground conductor to neutral wire.

Direct wire cable must have 5 ft. (1.52 m) of extra length so dryer can be moved if needed.

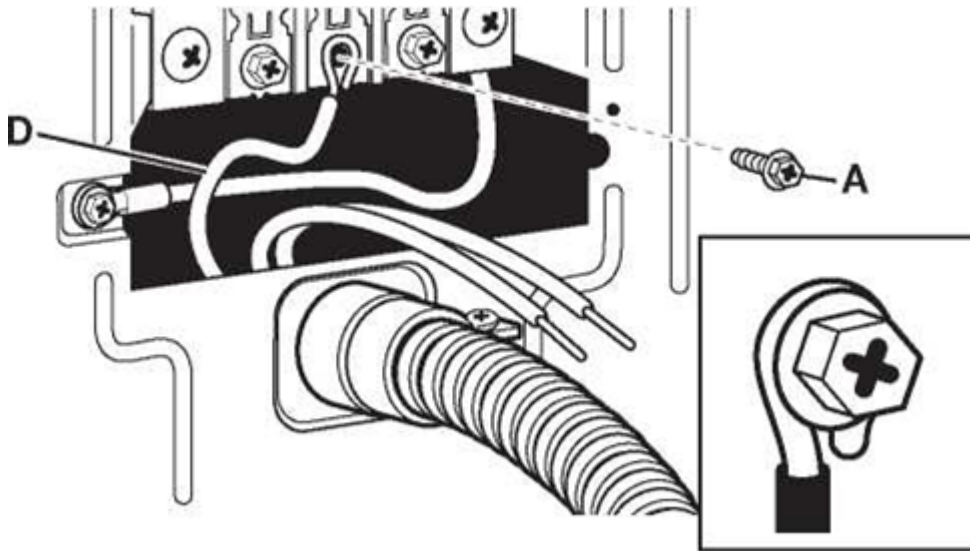
Strip 3 1/2" (89 mm) of outer covering from end of cable. Strip insulation back 1" (25 mm). If using 3-wire cable with ground wire, cut bare wire even with outer covering. Shape ends of wires into a hook shape.

### Connecting Neutral Wire

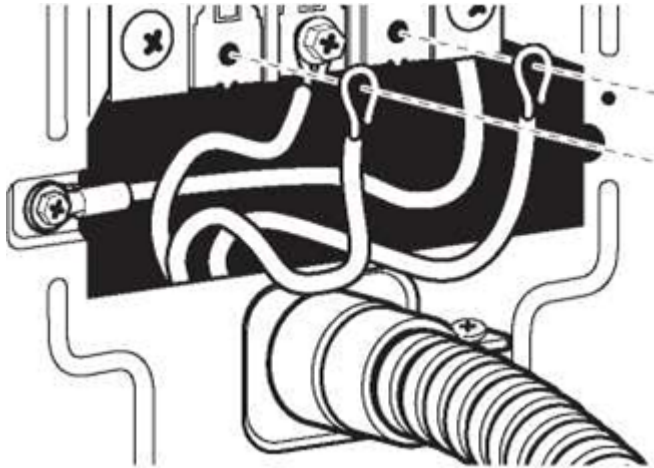
1. Loosen or remove center terminal block screw (A).



2. Place hooked end of neutral wire (white or center wire) (D) of direct wire cable under center terminal block screw (A), hook facing right. Squeeze hooked end together and tighten screw.



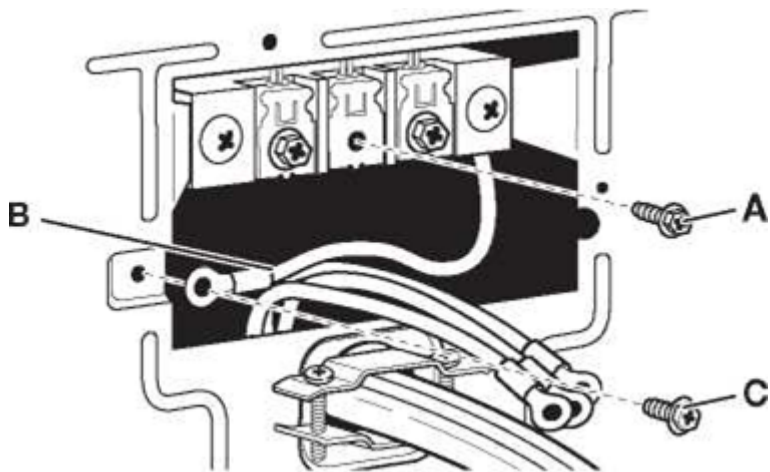
3. Place hooked end of neutral wire (white or center wire) (D) of direct wire cable under center terminal block screw (A), hook facing right. Squeeze hooked end together and tighten screw.



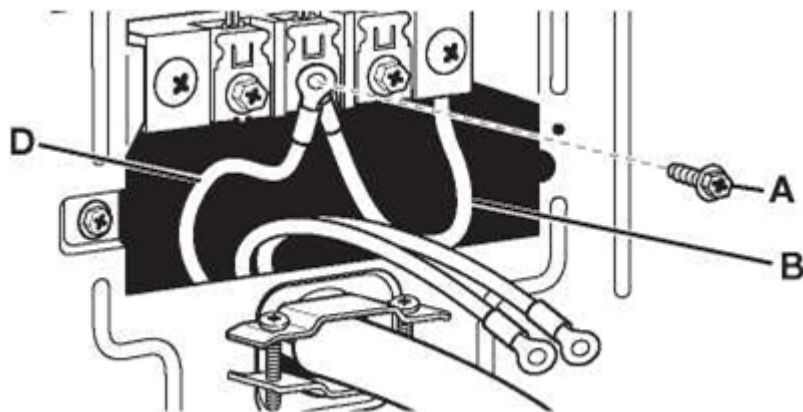
### Connecting 3-Wire Connection: Optional

Use for direct wire or power supply cord where local codes do not permit connecting cabinet-ground conductor to neutral wire.

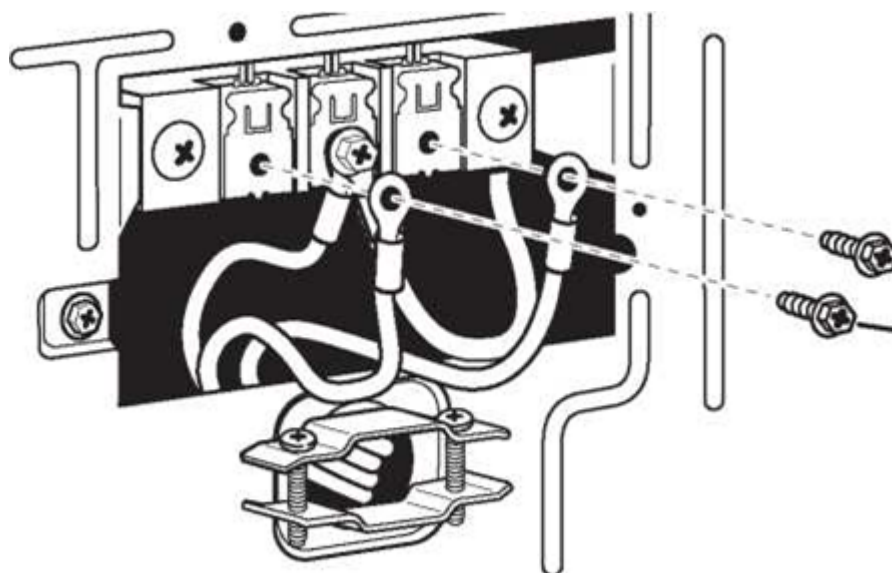
1. Remove center terminal block screw (A). Also, remove neutral ground wire (B) by removing external ground conductor screw (C).



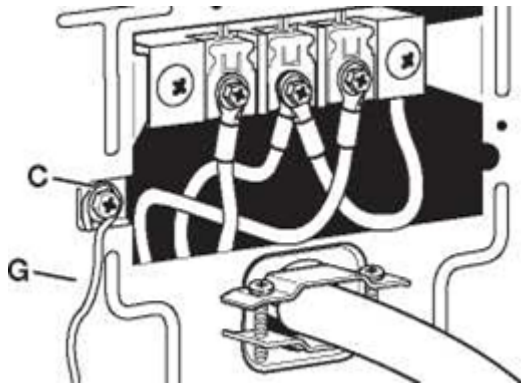
2. Connect neutral ground wire (B) and neutral wire (white or center wire) (D) of power supply cord/ cable under center terminal block screw (A). Tighten screw.



3. Connect remaining wires under outer terminal block screws (F). Tighten screws.



4. Connect a separate copper ground wire (G) under the green external ground conductor screw (C) to an adequate ground. Finally, reinstall terminal block to dryer rear panel. Secure cover with hold-down screw. Now go to "Venting Requirements."



## COMPLETE INSTALLATION

1. Check the electrical requirements. Be sure that you have the correct electrical supply and the recommended grounding method. See “Electrical Requirements.”
2. Check that all parts are now installed. If there is an extra part, go back through the steps.
3. Check that you have all of your tools.
4. Dispose of/recycle all packaging materials.
5. Plug into a grounded outlet, or connect power.
6. Check dryer operation. Close dryer door. Insert coins in slide and press slide in slowly. Select the Whites and Colors cycle and let the dryer run for at least five minutes.

NOTE: Dryer door must be closed for dryer to operate.

7. Open the dryer door. Check that the inside of the dryer is warm. If the burner does not ignite and you can feel no heat inside the dryer, shut off dryer for five minutes. Check that all supply valve controls are in “ON” position and that the electrical cord is plugged in. Repeat five-minute test.
8. If drying time is too long, make sure that the lint screen is clean and that there are no obstructions to airflow in the dryer vent system.
9. Restart the dryer and allow it to complete a full cycle to make sure it is working properly.

## MAINTENANCE INSTRUCTIONS

- Clean lint screen before and after each cycle.
- Removing accumulated lint:

From inside the dryer cabinet:

Lint should be removed every 2 years or more often, depending on dryer usage. Cleaning should be done by a qualified person.

From the exhaust vent:

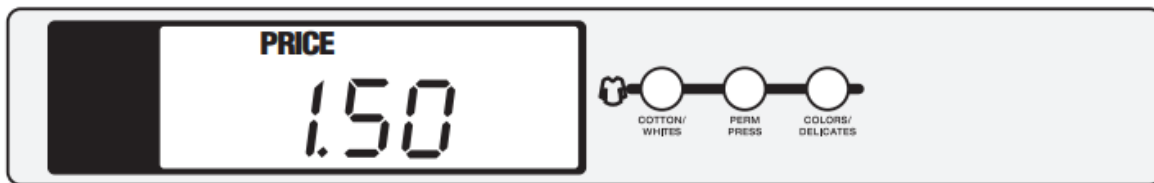
Lint should be removed every 2 years, or more often, depending on dryer usage.

- Keep area around dryer clear and free from combustible materials, gasoline, and other flammable vapors and liquids.
- Keep dryer area clear and free of items that would obstruct the flow of combustion and ventilation air.

If dryer does not operate, check the following:

- Electrical supply is connected.
- Circuit breaker is not tripped or house fuse is not blown.
- Door is closed. Listen closely to hear the door switch activate.
- Control is set up properly and display shows cycle time.
- Cycle selection button has been pushed firmly.
- For gas dryers, check that gas supply shut-off valves are set in open position.

## ELECTRONIC CONTROL SETUP INSTRUCTIONS



NOTE: After the dryer has been installed and plugged in, the display will show "0 MINUTES." After the door has been opened and closed, the display will show the vend price.

### General User Information

SCROLLING "OUT OF ORDER" MESSAGE, FOLLOWED BY A FAILURE OR DIAGNOSTIC CODE, SHOWING IN DISPLAY -

This condition indicates the dryer is inoperative.

"0 MINUTES" SHOWING IN DISPLAY - This indicates the dryer cannot be operated. Coins dropped or debit inputs during this condition will be stored in escrow but cannot be used until normal operation is restored by opening and closing the door.

If a door switch has failed, causing "0 MINUTES" to remain in the display after the door is opened and closed, it must be replaced before normal operation can be restored.

COLD START (Initial first use) - Dryer is programmed at the factory as follows: \$1.50 dry price (30 minutes). 9160 model only: \$0 dry price (45 minutes)

WARM START (after power failure) - A few seconds after power is restored, if a cycle was in progress at the time of the power failure, "RESELECT CYCLE" will flash in the display, indicating the need for a fabric setting button to be pressed to restart dryer.

PRICING - After the door is opened and then closed following the completion of a cycle, the display indicates the cycle price (unless set for free operation, where the display will flash "SELECT CYCLE"). As coins are dropped or debit inputs arrive, the display will change to lead the user through the initiation of a cycle.

**There are four (4) types of dryer pricing:**

***Fixed "Vend" Pricing***

A dryer setup for "Fixed Cycle" operation can only accept additional time accumulated by increments equal to the length of a complete dry cycle. A maximum of 75 minutes may be purchased; no additional credit is given for coins dropped with 75 minutes in the display.

***Accumulator Pricing***

If option d is set to d. 00, and the 6 code is set to one coin 1, then accumulator pricing is in effect. Cycle time can be purchased one coin at a time up to the maximum time of 75 minutes.

**Fixed Cycle With Top Off Pricing (available for use with coin drops or card readers only)**

A dryer set to offer "Top Off" capability will allow time to be added to an existing dry cycle in increments equal to the number of minutes of dry time per quarter (coin 1), up to 75 minutes, regardless of the cost required to start the dryer.

No credit is given for coins or debit inputs entered when the control is displaying 75 minutes.

FREE CYCLES - This is established by setting the cycle price to zero. When this happens, "SELECT CYCLE" will appear rather than a cycle price. Any cycle started as a free cycle will automatically terminate when the door is opened.

DEBIT CARD READY - This dryer is debit card ready. It will accept a variety of debit card systems, but does NOT come with a debit card reader. Refer to the debit card reader manufacturer for proper dryer setup. When a Generation 2 card reader is installed, the dryer is placed in enhanced debit mode. In Enhanced Debit Mode, the top off price can be set independently (see VALUE OF COIN 2), and the top off time is calculated according to the following equation:

$$\frac{\text{top off price}}{\text{full cycle price}} = \frac{\text{top off time}}{\text{full cycle length}}$$

In models converted to a Generation 1 debit card system, debit pulses represent the equivalent of one coin (coin 1).

NOTE: Enhanced debit mode cannot be deselected.



## Control Set-up Procedures

IMPORTANT: Read all instructions before operating.

The fabric setting buttons along with the digital display are used to set up the dryer controls.

The display can contain 4 numbers and/or letters and a decimal point. These are used to indicate the set-up codes and related code values available for use in programming the dryer.

### How to Use the Buttons to Program the Controls

1. The COTTON/WHITES button is used to adjust the values associated with set-up codes. Pressing the button will change the value by increments. Rapid adjustment is possible by holding down the button.
2. The PERM PRESS button will advance through the set-up codes. Pressing this button will advance to the next available set-up code. Holding down the button will automatically advance through the set-up codes at a rate faster than 1 per second.
3. The COLORS/DELICATES button is used to select or deselect options.

## Start Operating Setup

Insert service access door key, turn, and lift to remove service access door.

### Dryers with Card Reader Installed:

Once the debit card reader is installed (according to the reader manufacturer's instructions), the set-up mode can be entered by inserting a manual set-up card (supplied by the reader manufacturer) into the card slot. If manual set-up card is not available, only the diagnostic mode can be entered by removing the service access door.

IMPORTANT: To access set-up mode or diagnostic mode, use a service key (9050 models) to open the service access door. If a card reader is installed, a service card is available for accessing diagnostics. If a service key is not available (9060 models), the AA1 connector must be removed or the Service Access Code described below must be used.

The console must not be opened unless power is first disconnected from the dryer. To access connector AA1:

1. Unplug dryer or disconnect power.
2. Open console, remove plug on AA1, and close console.
3. Plug in dryer or reconnect power.

The dryer is now in the set-up mode.

To enter the alternative Service Access Code and enter set-up mode: Press the Left Button, Right Button, Left Button, Right Button, and Right Button.

NOTE: It is not necessary to set up the dryer with the following codes; the dryer is pre-set at the factory. These codes can be used to change settings, if desired.

### **Set-Up Codes**

- The PERM PRESS button will advance from code to code.
- The COTTON/WHITES button will change the code value.
- The COLORS/DELICATES button will select or deselect options.

The set-up code is indicated by the one or two left-hand characters. The set-up code value is indicated by the two or three right-hand characters.

NOTE: The first line of each code indicates the factory default.

Code	Explanation
6. 06	REGULAR CYCLE PRICE
6. 06	<p>When the d.xx is set to d.00, this 6.xx value represents the number of coins (coin 1) needed to start the dryer; may adjust from 0-39. Change this value by pressing the COTTON/WHITES button.</p> <p>6.06 = 6 coins = \$1.50. (9160 models default to 6.00.)</p>
6. 01	<p>When the d.xx is set to d.CS, this 6.xx value represents the number of push-in actuations of the coin slide to start the dryer. 6.01 would equal one coin slide activation.</p> <ul style="list-style-type: none"> <li>• Press the PERM PRESS button once to advance to next code.</li> </ul>
7. 05	REGULAR DRY TIME
7. 05	<p>When set to Coin Drop or Card Reader operation, the dry time equals the Regular Dry Time value multiplied by the Regular Cycle Price value.</p> <p>Example: 6.06 and 7.05 = (06 x 05 = 30 minutes).</p>
7. 45	<p>For coinslide or OPL operation, the value is the amount of minutes of dry time. Factory default of 45 minutes. Pressing COTTON/WHITES adjusts the value from 1-75 minutes.</p>



Code	Explanation
	<ul style="list-style-type: none"> <li>• Press the PERM PRESS button once to advance to next code.</li> </ul>
8. 00	TYPE OF DRYER PRICING
8. 00	Fixed Cycle with Top Off. Only available for use with coin drops or card readers. For detailed description, see “General User Information.”
8. FC	<p>Fixed Cycle. For detailed description, see General User Information. Use COLORS/ DELICATES button to make this selection.</p> <ul style="list-style-type: none"> <li>• Press the PERM PRESS button once to advance to next code.</li> </ul>
9. 00	<p>CYCLE COUNTER OPTION</p> <p>This option is either NOT SELECTED “OFF” or SELECTED “ON.”</p>
9. 00	Not Selected “OFF.”
9. 0C	<p>Selected “ON” and not able to be deselected.</p> <ul style="list-style-type: none"> <li>• Press the COLORS/ DELICATES button 3 consecutive times to select “ON.” Once selected “ON” it cannot be deselected.</li> </ul>



Code	Explanation
	<ul style="list-style-type: none"> <li>• Press the PERM PRESS button once to advance to next code.</li> </ul>
1.00	<p>MONEY COUNTER OPTION</p> <p>This option is either NOT SELECTED "OFF" or SELECTED "ON."</p>
1.00	Not Selected "OFF."
1.0C	<p>Selected "ON."</p> <ul style="list-style-type: none"> <li>• Press the COLORS/ DELICATES button 3 consecutive times to select "ON" and 3 consecutive times to deselect (Not Selected "OFF"). Counter resets by going from "OFF" to "ON."</li> </ul>
1. C0	<p>Selected "ON" and not able to be deselected.</p> <ul style="list-style-type: none"> <li>• To select "ON" and not able to be deselected, first select "ON;" then within 2 seconds press the COLORS/ DELICATES button twice, the COTTON/ WHITES button once, and exit set-up mode.</li> <li>• Press the PERM PRESS button once to advance to next code.</li> </ul>

2. 00	SPECIAL PRICING OPTIONS
	This option is either SELECTED 'ON' or NOT SELECTED 'OFF'.
2. 00	Not Selected 'OFF'.
2. SP	Selected 'ON'. Press the COLORS/DELICATES button once for this selection.
	If SPECIAL PRICING OPTION is selected, there is access to codes '3.' thru '9.'
	<ul style="list-style-type: none"> <li>• Press the PERM PRESS button once to advance to next code.</li> </ul>
	OPTIONS TO USE IF SPECIAL PRICING IS SELECTED:
3. 06	SPECIAL CYCLE PRICE
3. 06	Represents the number of quarters (coin 1) needed to start the dryer; may adjust from 0-39. (See b.xx setup for VALUE OF COIN 1). Advance from 0-39 by pressing the COTTON/WHITES button. Factory default of 6 quarters = \$1.50.
3. 00	Model 9160: Factory default of 0 quarters. <ul style="list-style-type: none"> <li>• Press the PERM PRESS button once to advance to next code.</li> </ul>
4. 05	SPECIAL DRY TIME
4. 05	Model 9150: Represents the number of minutes per quarter (coin 1).
	Factory default of 5 minutes per coin. Example: 6 quarters x 5 minutes = 30 minutes. By pressing the COTTON/WHITES button, the value can be adjusted from 1-75 minutes.
4. 45	Model 9160: Represents the fixed cycle time in

	minutes. As example: '4.45' = 45 minutes.
	<ul style="list-style-type: none"> <li>• Press the PERM PRESS button once to advance to next code.</li> </ul>
5. 00	TIME-OF-DAY CLOCK, MINUTES
5. 00	<p>This is the TIME-OF-DAY CLOCK, minute setting; select 0-59 minutes by pressing the COTTON/WHITES button.</p> <ul style="list-style-type: none"> <li>• Press the PERM PRESS button once to advance to next code.</li> </ul>
6. 00	TIME-OF-DAY CLOCK, HOURS NOTE: Uses military time - 24 hr. clock.
6. 00	<p>This is the TIME-OF-DAY CLOCK, hour setting; select 0-23 hours by pressing the COTTON/WHITES button.</p>
	<ul style="list-style-type: none"> <li>• Press the PERM PRESS button once to advance to next code.</li> </ul>
7. 00	SPECIAL PRICE START HOUR NOTE: Uses military time - 24 hr. clock.
7. 00	<p>This is the start hour; select 0-23 hours. Select START HOUR by pressing the COTTON/WHITES button.</p> <ul style="list-style-type: none"> <li>• Press the PERM PRESS button once to advance to next code.</li> </ul>



8. 00	<p>SPECIAL PRICE STOP HOUR</p> <p>NOTE: Uses military time - 24 hr. clock.</p>																								
8. 00	<p>This is the stop hour; select 0-23 hours. Select STOP HOUR by pressing the COTTON/WHITES button.</p> <ul style="list-style-type: none"> <li>• Press the PERM PRESS button once to advance to next code.</li> </ul>																								
9. 10	<p>SPECIAL PRICE DAY</p>																								
9. 10	<p>This represents the day of the week and whether special pricing is selected for that day. A number followed by '0' indicates no selection for that particular day (9.10). A number followed by an 'S' indicates selected for that day (9.1S).</p> <p>Day of week (1-7) can be chosen by pressing the COTTON/WHITES button. Press the COLORS/DELICATES button once to select special pricing for each day chosen.</p> <p>When exiting set-up code '9.', the display must show current day of week:</p> <table border="1"> <thead> <tr> <th>DISPLAY</th> <th>DAY OF WEEK</th> <th>CODE (selected)</th> </tr> </thead> <tbody> <tr> <td>10</td> <td>Day 1 = Sunday</td> <td>1S</td> </tr> <tr> <td>20</td> <td>Day 2 = Monday</td> <td>2S</td> </tr> <tr> <td>30</td> <td>Day 3 = Tuesday</td> <td>3S</td> </tr> <tr> <td>40</td> <td>Day 4 = Wednesday</td> <td>4S</td> </tr> <tr> <td>50</td> <td>Day 5 = Thursday</td> <td>5S</td> </tr> <tr> <td>60</td> <td>Day 6 = Friday</td> <td>6S</td> </tr> <tr> <td>70</td> <td>Day 7 = Saturday</td> <td>7S</td> </tr> </tbody> </table> <ul style="list-style-type: none"> <li>• Press the PERM PRESS button once to advance to next code.</li> </ul>	DISPLAY	DAY OF WEEK	CODE (selected)	10	Day 1 = Sunday	1S	20	Day 2 = Monday	2S	30	Day 3 = Tuesday	3S	40	Day 4 = Wednesday	4S	50	Day 5 = Thursday	5S	60	Day 6 = Friday	6S	70	Day 7 = Saturday	7S
DISPLAY	DAY OF WEEK	CODE (selected)																							
10	Day 1 = Sunday	1S																							
20	Day 2 = Monday	2S																							
30	Day 3 = Tuesday	3S																							
40	Day 4 = Wednesday	4S																							
50	Day 5 = Thursday	5S																							
60	Day 6 = Friday	6S																							
70	Day 7 = Saturday	7S																							
A. 00	<p>VAULT VIEWING OPTION</p>																								
	<p>This option is either SELECTED 'ON' or NOT SELECTED 'OFF'.</p>																								



A. 00	Not Selected 'OFF'.
A. SC	<p>Selected 'ON'. Press the COLORS/DELICATES button once for this selection. When selected, the money and/or cycle counts will be viewable (if counting is selected) when the coin box is removed.</p> <ul style="list-style-type: none"> <li>• Press the PERM PRESS button once to advance to next code.</li> </ul>
b. 05	VALUE OF COIN 1
b. 05	This represents the value of coin 1 in number of nickels: 05 = \$0.25 (default for 9150 and 9160 models).
b. 30	<ul style="list-style-type: none"> <li>• By pressing the COTTON/WHITES button, there is an option of 1-199 nickels.</li> <li>• Press the PERM PRESS button once to advance to next code.</li> </ul> <p>With coin slide activation, this represents the total vend price in nickels. Example: b.30 is equal to \$1.50.</p>

C. 20	VALUE OF COIN 2
C. 20	<p>This represents the value of coin 2 in number of nickels: 20 = \$1.00.</p> <ul style="list-style-type: none"> <li>• By pressing the COTTON/WHITES button, there is an option of 1-199 nickels.</li> </ul>
C. 05	<p>When a Gen 2 card reader is used, this code represents the value of top off in nickels. C.05 = \$0.25.</p> <ul style="list-style-type: none"> <li>• Press the PERM PRESS button once to advance to next code.</li> </ul>
d. 00	<p>COIN SLIDE OPTION</p> <p>This option is either Selected "ON" or Not Selected "OFF." Replacement of meter case will be needed for coin slide mounting.</p>
d. 00	Not Selected 'OFF'.
d. CS	<p>Selected 'ON'.</p> <p>NOTE: This option needs to be set to '00' unless the meter case has been changed to accept a coin slide device.</p> <p>Press the COLORS/DELICATES button 3 consecutive times for this selection. When coin slide mode is selected, set 'b.' equal to value of vend price in nickels. Set '6 XX' (REGULAR CYCLE PRICE) and '3.XX' (SPECIAL CYCLE PRICE) to number of slide operations.</p> <p>NOTE: If the installer sets up 'CS' on a coin drop model, the dryer will not register coins inserted.</p> <ul style="list-style-type: none"> <li>• Press the PERM PRESS button once to advance to next code.</li> </ul>

E. 00	<p>ADD COINS OPTION</p> <p>This option is either Selected 'ON' or Not Selected 'OFF'. This option causes the customer display to show the number of coins (coin 1) to enter, rather than the dollars-and-cents amount.</p>
E. 00	<p>Not Selected 'OFF'.</p>
E. AC	<p>Selected 'ON'.</p> <p>Press the COLORS/DELICATES button 3 consecutive times for this selection.</p> <p>9160 MODELS ONLY: In enhanced debit mode, this option is not selectable.</p> <ul style="list-style-type: none"> <li>• Press the PERM PRESS button once to advance to next code.</li> </ul>
J. Cd	<p>PAYMENT MODE (COIN/DEBIT OPTION)</p>
J. Cd	<p>Both coin and debit selected. Press the COLORS/DELICATES button 3 consecutive times to change this selection.</p>
J. C_	<p>Coins selected, debit disabled. Press the COLORS/ DELICATES button 3 consecutive times to change this selection.</p>
J. _d	<p>Debit Card selected, coin disabled (default for 9160 models). This selection must be used for free vend. Press the COLORS/DELICATES button 3 consecutive times to change this selection.</p>
J. Ed	<p>Enhanced Debit is self-selected when a Generation 2 card reader is installed in the dryer. The "Ed" option cannot be manually selected or deselected.</p> <ul style="list-style-type: none"> <li>• Press the PERM PRESS button once to advance to next code.</li> </ul>

L. 00	<p><b>PRICE SUPPRESSION OPTION</b></p> <p>This option is either Selected 'ON' or Not Selected 'OFF'. This option causes the customer 'AVAILABLE' or 'ADD' rather than the amount of money to add. (Used mainly in debit instal</p>
L. 00	Not Selected 'OFF'.
L. PS	<p>Selected 'ON'. Press the COLORS/DELICATES button once for this selection.</p> <ul style="list-style-type: none"> <li>• Press the PERM PRESS button once to advance to next code.</li> </ul>
n. CE	<p><b>CLEAR ESCROW OPTION</b></p> <p>This option is either Selected "ON" or Not Selected "OFF." When selected, money held in e minutes without further escrow or cycle activity will be cleared.</p>
n. 00	Not Selected "OFF."
n. CE	<p>Selected "ON."</p> <ul style="list-style-type: none"> <li>• Press the COLORS/DELICATES button once to change this selection.</li> <li>• Press the PERM PRESS button once to advance to next code.</li> </ul>
U. 00	<b>PENNY INCREMENT OFFSET</b>

U. 00	<p>This represents the penny increment price offset used in Generation 2 (Enhanced Debit) 9. Choose from 0-4 pennies by pressing the COTTON/ WHITES button.</p> <ul style="list-style-type: none"><li>• Press the PERM PRESS button once to advance to next code.</li></ul>
-------	---

### TO EXIT FROM SET-UP MODE

1. Close the service access door.
2. Disconnect dryer from power before reinstalling the AA1 connector, if it was removed.
3. Remove the manual set-up card.
4. Wait two minutes without activating any dryer inputs.
5. Disconnect and then reconnect power.

### Diagnostic Codes

If the set-up mode is entered and one of the following has previously occurred, the appropriate diagnostic code will be in the display

Dryer Display	Explanation
d 5	Blocked coin 1 or coin drop UI control circuit failure (coin recognition and customer display disabled while blockage persists).
d 9	Voltage detected below 90 VAC for 8 seconds.
d 13	Blocked coin 2 or coin drop UI control circuit failure (coin recognition and customer display disabled while blockage persists).
d 16	Not receiving communications from installed debit card reader in Enhanced (Generation 2) Debit mode.
F 01	Dryer motor control circuit error (cycles and price display disabled until diagnostic code is manually cleared). The control doesn't know if the motor relay is bad (stuck on), the motor relay drive circuit is bad (shorted), causing the motor relay to stay on, or the motor relay feedback circuit is bad.
F 22	Exhaust thermistor open, temperature drops below 18°F (>50 kQ) for 1 minute in Run mode, or immediately in Factory Diagnostic Mode.
F 23	Exhaust thermistor shorted, temperature above 250°F (<500Q) for 1 minute in Run mode, or immediately in Factory Diagnostic Mode.
F 70	UI is not receiving communications from CCU (cycles and price display disabled while error persists or is manually cleared).
F 71	CCU is not receiving communications from UI (cycles and price display disabled while error persists or is manually cleared).
F 73	UI Microprocessor is not able to read or verify EEPROM (cycles and price display disabled until diagnostic code is manually cleared).
F 74	UI EEPROM memory is a CRC failure (cycles and price display disabled until diagnostic code is manually cleared).



## Dryer Diagnostic Mode

This mode is entered by pressing COLORS/DELICATES for one second while in either of the set-up codes 6.xx or 7.xx or with a diagnostic code present. Diagnostic codes are cleared on entry and all display segments should flash. If a diagnostic code persists, it must be corrected before the diagnostic cycle can be entered.

### All Models:

With all segments flashing, the diagnostic cycle is started by pressing the PERM PRESS button. The cycle consists of 7 minutes of heat and 1 minute of cooldown.

The COTTON/WHITES button will increment the diagnostic cycle minutes up to 75, then roll over to 2 minutes. The COLORS/DELICATES button will cancel this cycle and exit the diagnostic mode.

## Dryer Help Mode

Dryer help mode is entered by pressing the COTTON/WHITES button while in special pricing option 2.XX. In help mode, the software revision is displayed. The help mode is advanced by pressing the PERM PRESS button. See Help Mode Submenu below for the order in which items are displayed. Press the COTTON/WHITES button at any time to exit help mode.

## Help Codes

Help Code	Description
71	Generation 2 debit card cycle polling message out of sequence.
74	Generation 2 debit card remaining balance message out of sequence.
75	Generation 2 debit card new card balance message out of sequence.
88	Invalid messaging state found in data acquisition communications comm_ suprv ( ) routine.

## Help Mode Submenu



Step	Display Indication	Explanation
1	1h.XX	Help Code 1, where XX is the help code number. *
2	2h.XX	Help Code 2, where XX is the help code number. *
3	3h.XX	Help Code 3, where XX is the help code number. *
4	1.X##	Error history code 1, where X is the F or d code, and ## is the code number. **
5	2.X##	Error history code 2, where X is the F or d code, and ## is the code number. **
6	3.X##	Error history code 3, where X is the F or d code, and ## is the code number. **
7	4.X##	Error history code 4, where X is the F or d code, and ## is the code number. **
8	SC.XX	CCU software revision, where XX is the software revision number.
9	SU.XX	UI software revision, where XX is the software number.
10	EU.XX	UI EEPROM revision, where XX is the EEPROM number.

\* To erase the 3 help codes, press COLORS/DELICATES button.

\*\* The Errors displayed in this section are the history errors that have occurred in the dryer (not necessarily an error that is in progress). The current error is displayed in the MANUAL KEY FUNCTION IN DIAGNOSTIC SUB-MODE.

### Warning

This content is compiled from multiple sources and is provided for reference purposes only. It may not be complete or fully applicable to all situations. If you are unable to resolve your issue, please contact the product manufacturer or an authorized service provider for official support.

---

Document generated by [ManualsFile](#)

