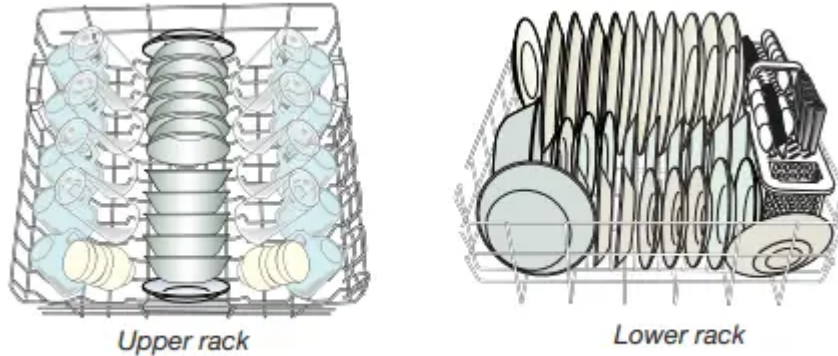


## OPERATING YOUR DISHWASHER

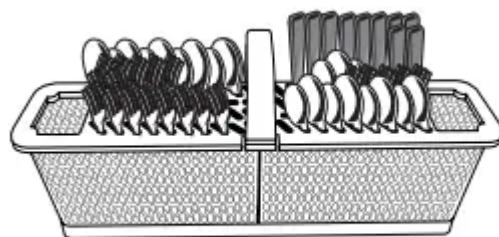
### 1. Prepare and load dishwasher



*Rack may vary by model*

**IMPORTANT:** Remove leftover food, bones, toothpicks and other hard items from dishes. Remove labels from containers before washing.

- Make sure when dishwasher door is closed, no items are blocking detergent dispenser.
- Items should be loaded with soiled surfaces facing down and inward to the spray as shown in the graphics above. This will improve cleaning and drying results. Angle dirtiest dish surface downward, allowing space for water to flow up through rack and between dishes.
- Avoid overlapping items, like bowls or plates, that may trap food.
- Place plastics, small plates, and glasses in upper rack.
- Wash only items marked “dishwasher safe.”
- To avoid thumping/clattering noises during operation, load dishes so they do not touch one another. Make sure light weight load items are secured in racks.
- Use slots in the covers and suggested loading patterns to keep your silverware separated for optimum wash.



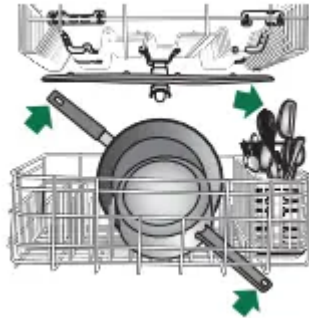
*Silverware basket may vary by model*

- If your silverware does not fit into the designated slots, lift and slide covers off to remove them and mix silverware types to keep them separated.

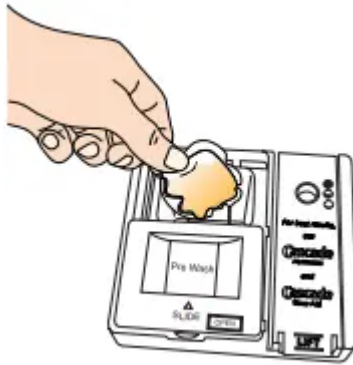
- When loading silverware, always place sharp items pointing down.

## 2. Check that all arms spin freely

Items in the rack can block the spray arms.



## 3. Add detergent



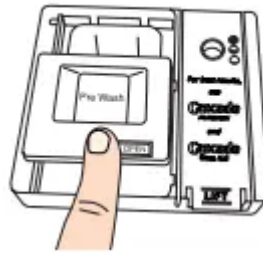
## Premeasured Detergents

- High-quality premeasured tablets and packs are recommended for improved performance.
- Quality tablets and packs have been proven better than powder, liquid, or gel detergents at reducing filming on dishes. Using tablets and packs over time will start to reduce or eliminate white film. They are suitable for all water hardness and soil levels. Also, by using a rinse aid, you can minimize repeat buildup of white film (not all packs and tablets contain rinse aid). Always place premeasured detergents in main compartment and close lid.

NOTE: Follow instructions on the package when using other dishwasher detergent types. See the complete User Instructions for more details about powders, liquids, and gels.

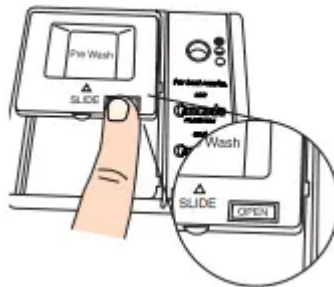
- Use automatic dishwasher detergent only. Add detergent just before starting a cycle.
- Fresh automatic dishwasher detergent results in better cleaning. Store tightly closed detergent container in a cool, dry place.

#### To close lid



Place selected detergent in the dispenser. Place finger, as shown, and slide lid closed. Press firmly until it clicks.

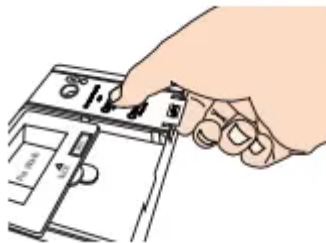
#### To open lid



Push OPEN, as shown, and the lid will slide open.

#### 4. Add rinse aid

- Your dishwasher is designed to use rinse aid for good drying performance. Without rinse aid, your dishes and dishwasher interior will have excessive moisture. The heating and drying options will not perform as well without rinse aid.
- Rinse aid keeps water from forming droplets that can dry as spots or streaks. It also improves drying by allowing water to drain off of dishes after final rinse. Rinse aid does not adhere to dishware, and when used, it is dispensed during each cycle.
- To add rinse aid, open the dispenser lid by gently pushing in the center of the lid with your thumb while lifting up on the edge.



- Pour rinse aid into the opening until the indicator level shows that it is full.



- Rinse aid is dispensed automatically. Be sure to check level and refill as needed.
- Close dispenser by pushing down gently on the lid.

NOTE: For most water conditions, the factory setting will give good results.



If you are experiencing poor drying performance, you may want to try a higher setting. Turn the arrow adjuster to a higher setting to increase the amount of rinse aid dispensed.

#### 5. Select a cycle

- Efficient dishwashers run longer to save water and energy, just as driving a car slower saves on gas. Typical cycle time is approximately 2 1/2 hours but can take less or more time to complete depending on selections. Press START to select the Auto cycle or select another cycle appropriate for your load (see Cycle Guide).

#### 6. Select options (on some models)

- You can customize your cycles by pressing the options desired. If you change your mind, press the option again to turn off the option. Not all options are available for every cycle. If an invalid option is selected for a given cycle, lights will flash.

#### 7. START a cycle

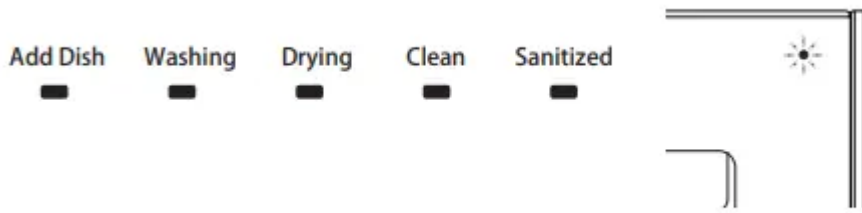
NOTE: If needed, run hot water at the sink nearest your dishwasher until the water is hot. Turn off water.

- Push door firmly closed within 4 seconds of pressing START. If door is not closed within 4 seconds, the START button LED will flash, an audible tone will be heard, and cycle the will not start.

IMPORTANT: If the door is opened for more than a few seconds after the cycle is started (even during the Delay time), the START button must be pressed again before closing the door.

#### 8. Follow the progress of your dishwasher

The indicator LED on the front right corner of the door panel will glow blue while washing, red while drying and white when the cycle is complete. Also, the LED display on the control panel will light up during the cycle for Wash, Drain, Drying, Clean and Sanitized.



Display design varies by mode

## CYCLE GUIDE

This information covers several different models. Your dishwasher may not have all cycles and options described.

**IMPORTANT:** The sensor in your dishwasher monitors the soil level. Cycle time and/or water usage can vary as the sensor adjusts the cycle for the best wash performance. If the incoming water is less than the recommended temperature or food soils are heavy, the cycle will automatically compensate by adding time, heat, and water as needed.

CYCLES		ESTIMATED WASH TIME* W/O OPTIONS (HH:MM)	WATER USAGE GALLONS (LITERS)
■	<b>PowerBlast®</b> Targets toughest food soils. Use for hard-to-clean heavily soiled pots, pans, casseroles, and tableware.	3:30 to 3:45	9.0 (34.2)
■	<b>Auto</b> Load and soil sensing cycle. This cycle is optimized to achieve best cleaning with minimal water and energy for all soil levels.*	2:45 to 3:15	4.5 to 6.9 (17.0 to 26.0)
■	<b>Normal</b> This cycle is recommended for daily, regular or typical use to completely wash and dry a full load of normally soiled dishes. This dishwasher's government energy certifications were based on the Normal cycle with only the Heated Dry option selected.**	2:30 to 3:30	3.0 to 7.4 (11.2 to 27.9)
■	<b>Quick</b> For fast results, this cycle will clean your light to medium soiled dishes, but uses slightly more water and energy. For improved drying, select a heated dry or power dry option.	1:00	5:5 (21.0)
■	<b>Rinse</b> Use for rinsing dishes, glasses, and silverware that will not be washed right away. Do not use detergent. During cycle, the rinse action will repeatedly pause for several seconds.	0:07	1.3 (5.0)


\*The government energy certifications are not based on this cycle. See the Normal cycle description for the government energy certification cycle. Using the Auto cycle may increase your energy usage.

\*\*No other washing and drying temperature options were selected, and the dishwasher was not subjected to truncated testing. Rinse aid was not used, and there was no detergent used in the prewash.


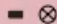
# CYCLE OPTIONS

	OPTIONS	CAN BE SELECTED WITH	WHAT IT DOES	ADDED TIME TO CYCLE	ADDED WATER GALLONS (LITERS)
■	<b>High Temp</b> Raises main wash temperature to improve cleaning for loads containing tough, baked-on food.	<b>Auto PowerBlast® Normal</b>	Raises main wash temperature to a minimum of 129 F (53.9 C). Press and hold the button for 3 seconds to turn on/off sound.	<b>0:00 to 1:00</b>	<b>0-3.3 (0-12.5)</b>
■	<b>Sanitize</b> Sanitizes dishes and glassware in accordance with NSF International NSF/ANSI Standard 184 for Residential Dishwashers. Certified residential dishwashers are not intended for licensed food establishments. Only sanitizing cycles have been designed to meet the requirements of the NSF/ANSI 184 performance standard for soil removal and for sanitization efficacy. There is no intention, either directly or indirectly, that all cycles on a NSF/ANSI 184 certified dishwasher meet the NSF/ANSI 184 performance standard for soil removal and for sanitization efficacy. The Sani Rinse indicator glows at the end of the cycle if the Sani Rinse option was successfully completed. If your load did not properly sanitize, the indicator will flash at the end of the cycle. This can happen if the cycle is interrupted, or if the water does not reach the required temperature. The light goes off when you open and close the door or press CANCEL.	<b>Auto PowerBlast® Normal</b>	Raises the main wash temperature to 145°F (62.8°C) and the final rinse temperature to (156°F (69°C)).	<b>0:15 to 1:30</b>	<b>0-3.7 (0-14.0)</b>
■	<b>Short Heated Dry (On Some Model)</b> Dries dishes with heat. This option, with the use of rinse aid, will provide optimum drying performance. Plastic items are less likely to deform when loaded in the top rack. Turn off all dry options for air dry.	<b>Auto PowerBlast® Normal Quick</b>	Uses a heating element to speed drying times. Short Heated Dry option is On when any of the cycle is selected.	<b>0:11 to 0:46</b>	<b>NA</b>
■	<b>Long Heated Dry (On Some Model)</b> Uses heat and additional time to dry dishes. For the very best drying performance, use rinse aid and the Long Heated Dry option. Turn off all dry options for air dry.	<b>Auto PowerBlast® Normal Quick</b>	Lengthens the time that Heated Dry is active.	<b>0:43 to 1:20</b>	<b>NA</b>
■	<b>Short Power Dry (On Some Model)</b> Dries dishes with heat and a fan. This option, with the use of rinse aid, will provide optimum drying performance. Plastic items are less likely to deform when loaded in the top rack. Turn off all dry options for air dry.	<b>Auto PowerBlast® Normal Quick</b>	Uses a heating element and fan to speed drying times. Short Power Dry option is on when any cycle is selected except for Quick and Rinse.	<b>0:11 to 0:46</b>	<b>NA</b>
■	<b>Long Power Dry (On Some Model)</b> Uses heat and a fan for additional time to dry dishes. For the very best drying performance, use rinse aid and the Long Power Dry option. Turn off all dry options for air dry.	<b>Auto PowerBlast® Normal Quick</b>	Lengthens the time that Power Dry is active.	<b>0:43 to 1:20</b>	<b>NA</b>



	OPTIONS	CAN BE SELECTED WITH	WHAT IT DOES	ADDED TIME TO CYCLE	ADDED WATER GALLONS (LITERS)
 <b>Delay Hours</b>	Runs dishwasher at a later time or during off-peak electrical hours. Select a wash cycle and options. Press DELAY button to delay the cycle by 8 hours. Press START. Close door firmly. <b>NOTE:</b> Any time the door is opened (such as, to add a dish), the START keypad must be touched again to resume the delay countdown.	<b>Available with any cycle</b>	Delays start of a cycle by 8 hours.		

CONTROL	PURPOSE	COMMENTS
<b>START</b> 	Press to START a wash cycle	If the door is opened during a cycle or the power is interrupted, the START button LED flashes. Cycle will not resume until START is pressed and the door is closed. Push door firmly closed within 4 seconds of pressing START.
<b>CANCEL</b>  <small>HOLD 3 SEC</small>	Press to CANCEL wash cycle	Press and hold CANCEL for 3 seconds. Close the door firmly. The dishwasher starts a 2-minute drain (if needed). Let dishwasher drain completely.

## DISHWASHER CARE

### Cleaning the Exterior

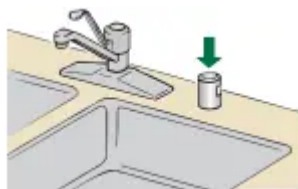
- Clean the exterior of the dishwasher with only a soft, damp cloth, and mild detergent. If your dishwasher has a stainless steel exterior, it may have a coating that is resistant to fingerprints. Avoid using abrasive cleaning products on the exterior of the dishwasher

### Cleaning and Maintaining the Interior

- Many detergents may leave white spots or a white residue on dishware and on the interior of the dishwasher. Over time this residue can become unsightly and could affect dishwasher performance. Use of a dishwasher cleaning product such as affresh®† Dishwasher Cleaner can help to remove the residue. Monthly use of affresh®† Dishwasher Cleaner is recommended to help maintain the dishwasher. Follow package directions.

NOTE: Maytag recommends the use of high-quality, premeasured detergent tablets or packs and the use of rinse aid for dishwasher cleaning and daily care.

If you have a drain air gap, check and clean it if the dishwasher isn't draining well.



### To Reduce Risk of Property Damage During Vacation or Extended Time Without Use

- When you will not be using the dishwasher during the summer months, turn off the water and power supply to the dishwasher.
- Make sure the water supply lines are protected against freezing conditions. Ice formations in the supply lines can increase water pressure and cause damage to your dishwasher or home. Damage from freezing is not covered by the warranty.

- When storing your dishwasher in the winter, avoid water damage by having your dishwasher winterized by authorized service personnel.

## TROUBLESHOOTING

Dishwasher does not run or stops during a cycle

- It is normal for certain cycles to repeatedly pause for several seconds during the main wash.
- Is the door closed tightly and latched?
- Is the right cycle selected?
- Is there power to the dishwasher? Has a household fuse blown, or has a circuit breaker tripped? Replace the fuse or reset the circuit breaker. If the problem continues, call an electrician.
- Has the motor stopped due to an overload? The motor automatically resets itself within a few minutes. If it does not restart, call for service.
- Is the water shutoff valve (if installed) turned on?

The START indicator is flashing

- If the START light is flashing, press START and close the door within 4 seconds. If the Clean light or any other lights are blinking and the dishwasher will not run.

Dishes do not dry completely

NOTE: Plastic and items with nonstick surfaces are difficult to dry because they have a porous surface which tends to collect water droplets. Towel drying may be necessary. Use of rinse aid along with the Heat Dry option is needed for proper drying. Proper loading of items can affect drying. Glasses and cups with concave bottoms hold water. This water may spill onto other items when you are unloading the dishwasher.

- Unload the bottom rack first.

Noise

NOTE: Common noises:

- Surging sounds can occur periodically throughout the wash cycle and during the drain cycle.
- Normal water valve hissing may be heard periodically.
- A normal snap sound may be heard when the detergent dispenser opens during the cycle and when the door is opened at the end of the cycle.
- Improper installation will affect noise levels.
- A thumping sound may be heard if items extend beyond the racks and interfere with the wash arms. Readjust the dishware and resume the cycle.

## Spotting/Filming

- Liquid rinse aid is necessary for drying and to reduce spotting.
- Use the correct amount of detergent.
- Confirm that the cloudiness is removable by soaking the item in white vinegar for 5 minutes and dry the item. If the cloudiness disappears, it is due to hard water. Adjust the amount of detergent and rinse aid. See the “Dishwasher Care” section. If the cloudiness on glass does not come clear, it is due to etching. Be sure the incoming water temperature is set at 120°F (49°C).
- Try using the Hi-Temp Wash or Sani Rinse options.

## Dishwasher does not clean completely

Be sure the dishwasher is loaded correctly. Improper loading can greatly decrease the washing performance. Check that all spray arms spin freely.

Select the proper cycle for the type of soils. The Auto or PowerBlast® cycle can be used for tougher loads. Be sure the incoming water temperature is at least 120°F (49°C). Use the proper amount of fresh detergent. More detergent is needed for heavier soiled loads or hard water conditions. Scrape food from dishes prior to loading (do not prerinse).

If foam or suds are detected by the dishwasher sensing system, the dishwasher may not operate properly or may not fill with water. Suds can come from:

- Using the incorrect type of detergent, such as dish detergent for hand washing dishes, laundry detergent.
- Loading dishes that have been prewashed with handwash dishwashing detergent without rinsing them.
- Not replacing the rinse aid dispenser cap after filling (or refilling) the rinse aid.
- Using an excessive amount of dishwasher detergent.

## Dishwasher does not drain

- Be sure the cycle has been completed (the Clean light is on). If it has not, resume the cycle by closing the door and pressing START.
- If dishwasher is connected to a food waste disposer, be sure the knockout plug has been removed from the disposer inlet.
- Check for kinks in the drain hose.
- Check for food obstructions in the drain or disposer.
- Check your house fuse or circuit breaker.

## KEY USAGE TIPS

### Adjustable upper rack



You can raise or lower the top rack to fit tall items in either the upper or lower rack. Adjusters are located on each side of the top rack

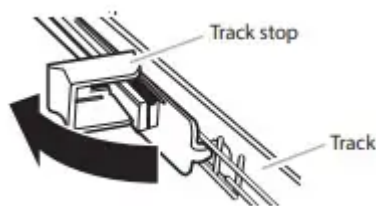
- To Raise : Press both rack adjuster thumb levers and lift the rack until it is in the up position and level.
- To Lower : Press both rack adjuster thumb levers and slide the rack to its down position and level.

NOTE: The top rack must be level.

### Filtration system

- Your dishwasher has the latest technology in dishwasher filtration. The Clean Water Wash system continuously removes food particles from the wash water for excellent performance. Plus, there is no need to ever remove and clean the filter.

### Easy-to-remove third level Rack (on some models)



- If additional space is needed in the upper rack, the third level rack can easily be removed.
- To remove, fully extend rack until it stops. Then, open the track stops on each side and lift to remove.

## Drying - Rinse aid is essential



- You must use a drying agent such as a rinse aid for good drying performance. Rinse aid along with a Heated Dry option will provide improved drying and avoid excessive moisture in dishwasher interior.

## Energy efficiency



Auto

- The Auto cycle senses load size, soil amount, and toughness of soil. This cycle is optimized to achieve the best cleaning with using minimal water and energy consumption. Efficient dishwashers run longer to save water and energy, just as driving a car slower saves on gas. Your first cycle will run longer to calibrate the optical sensor. When you need fast results, Quick Wash will clean your dishes but use slightly more water and energy.

## Press START every time you add a dish



**IMPORTANT:** If anyone opens the door (such as to add a dish, even during a Delay) the START button must be pressed.

- Push door firmly closed within 4 seconds of pressing START. If door is not closed within 4 seconds, the START button LED will flash, an audible tone will be heard and cycle will not start.

## IMPORTANT SAFETY INSTRUCTIONS

Your safety and the safety of others are very important.

We have provided many important safety messages in this manual and on your appliance. Always read and obey all safety messages.



This is the safety alert symbol.

This symbol alerts you to potential hazards that can kill or hurt you and others.

All safety messages will follow the safety alert symbol and either the word “DANGER” or “WARNING.” These words mean:

**⚠ DANGER**

You can be killed or seriously injured if you don't immediately follow instructions.

**⚠ WARNING**

You can be killed or seriously injured if you don't follow instructions.

All safety messages will tell you what the potential hazard is, tell you how to reduce the chance of injury, and tell you what can happen if the instructions are not followed.

**WARNING:** When using the dishwasher, follow basic precautions, including the following:

- Read all instructions before using the dishwasher.
- Use the dishwasher only for its intended function.
- Use only detergents or rinse agents recommended for use in a dishwasher, and keep them out of the reach of children.
- When loading items to be washed:
  1. Locate sharp items so that they are not likely to damage the door seal; and
  2. Load sharp knives with the handles up to reduce the risk of cut-type injuries.
- Do not wash plastic items unless they are marked “dishwasher safe” or the equivalent. For plastic items not so marked, check the manufacturer's recommendations.
- Do not touch the heating element during or immediately after use.
- Do not operate the dishwasher unless all enclosure panels are properly in place.
- Do not tamper with controls.
- Do not abuse, sit on, or stand on the door, lid, or dish racks of the dishwasher.
- To reduce the risk of injury, do not allow children to play in or on the dishwasher
- Under certain conditions, hydrogen gas may be produced in a hot water system that has not been used for two weeks or more. **HYDROGEN GAS IS EXPLOSIVE.** If the hot

water system has not been used for such a period, before using the dishwasher turn on all hot water faucets and let the water flow from each for several minutes. This will release any accumulated hydrogen gas. As the gas is flammable, do not smoke or use an open flame during this time.

- Remove the door or lid to the washing compartment when removing an old dishwasher from service or discarding it.

State of California Proposition 65 Warnings:

WARNING: This product contains one or more chemicals known to the State of California to cause cancer.

WARNING: This product contains one or more chemicals known to the State of California to cause birth defects or other reproductive harm.



## GROUNDING INSTRUCTIONS

For a grounded, cord-connected dishwasher:

- The dishwasher must be grounded. In the event of a malfunction or breakdown, grounding will reduce the risk of electric shock by providing a path of least resistance for electric current. The dishwasher is equipped with a cord having an equipment-grounding conductor and a grounding plug. The plug must be plugged into an appropriate outlet that is installed and grounded in accordance with all local codes and ordinances.

WARNING: Improper connection of the equipment grounding conductor can result in a risk of electric shock.

- Check with a qualified electrician or service representative if you are in doubt whether the dishwasher is properly grounded. Do not modify the plug provided with the dishwasher; if it will not fit the outlet, have a proper outlet installed by a qualified electrician.

For a permanently connected dishwasher:

- The dishwasher must be connected to a grounded metal, permanent wiring system, or an equipment-grounding conductor must be run with the circuit conductors and connected to the equipment-grounding terminal or lead on the dishwasher.

# MAYTAG® DISHWASHER LIMITED WARRANTY

ATTACH YOUR RECEIPT HERE. PROOF OF PURCHASE IS REQUIRED TO OBTAIN WARRANTY SERVICE.

Please have the following information available when you call the Customer eXperience Center:

- Name, address, and telephone number
- Model number and serial number
- A clear, detailed description of the problem
- Proof of purchase, including dealer or retailer name and address

IF YOU NEED SERVICE:

1. Before contacting us to arrange service, please determine whether your product requires repair. Some questions can be addressed without service. Please take a few minutes to review the Troubleshooting section of the Use and Care Guide or visit Maytag Website
2. All warranty service is provided exclusively by our authorized Maytag Service Providers. In the U.S. and Canada, direct all requests for warranty service to: Maytag Customer eXperience Center In the U.S.A., call 1-800-688-9900. In Canada, call 1-800-807-6777. If outside the 50 United States or Canada, contact your authorized Maytag dealer to determine whether another warranty applies.

TEN YEAR LIMITED WARRANTY

WHAT IS COVERED

FIRST YEAR LIMITED WARRANTY (PARTS AND LABOR)

- For one year from the date of purchase, when this major appliance is installed, operated, and maintained according to instructions attached to or furnished with the product, Maytag brand of Whirlpool Corporation or Whirlpool Canada LP (hereafter "Maytag") will pay for factory specified replacement parts and repair labor to correct defects in materials or workmanship that existed when this major appliance was purchased or, at its sole discretion, replace the product. In the event of product replacement, your appliance will be warranted for the remaining term of the original unit's warranty period.

SECOND THROUGH TENTH YEAR LIMITED WARRANTY (CERTAIN COMPONENT PARTS ONLY – LABOR NOT INCLUDED)

In the second through tenth years from the date of original purchase, when this major appliance is installed, operated, and maintained according to instructions attached to or furnished with the product, Maytag will pay for factory specified replacement parts for the following components to correct non-cosmetic defects in materials or workmanship in these parts that prevent function of

this major appliance and that existed when this major appliance was purchased. This is a limited ten year warranty on the below named parts only and does not include repair labor.

- Upper and lower racks (excludes cup shelves and silverware basket)
- Chopper blade
- Stainless steel tub and inner door liner

YOUR SOLE AND EXCLUSIVE REMEDY UNDER THIS LIMITED WARRANTY SHALL BE PRODUCT REPAIR AS PROVIDED HEREIN. Service must be provided by a Maytag designated service company. This limited warranty is valid only in the United States or Canada and applies only when the major appliance is used in the country in which it was purchased. This limited warranty is effective from the date of original consumer purchase. Proof of original purchase date is required to obtain service under this limited warranty

#### WHAT IS NOT COVERED

1. Commercial, non-residential, multiple-family use, or use inconsistent with published user, operator, or installation instructions.
2. In-home instruction on how to use your product.
3. Service to correct improper product maintenance or installation, installation not in accordance with electrical or plumbing codes, or correction of household electrical or plumbing (e.g., house wiring, fuses, or water inlet hoses).
4. Consumable parts (e.g., light bulbs, batteries, air or water filters, preservation solutions, etc.).
5. Defects or damage caused by the use of non-genuine Maytag parts or accessories
6. Damage from accident, misuse, abuse, fire, floods, acts of God, or use with products not approved by Maytag.
7. Repairs to parts or systems to correct product damage or defects caused by unauthorized service, alteration, or modification of the appliance.
8. Cosmetic damage including scratches, dents, chips, and other damage to the appliance finishes, unless such damage results from defects in materials and workmanship and is reported to Maytag within 30 days.
9. Discoloration, rust, or oxidation of surfaces resulting from caustic or corrosive environments including, but not limited to, high salt concentrations, high moisture or humidity, or exposure to chemicals.
10. Pickup or delivery. This product is intended for in-home repair.
11. Travel or transportation expenses for service in remote locations where an authorized Maytag servicer is not available.

12. Removal or reinstallation of inaccessible appliances or built-in fixtures (e.g., trim, decorative panels, flooring, cabinetry, islands, countertops, drywall, etc.) that interfere with servicing, removal, or replacement of the product.
13. Service or parts for appliances with original model/serial numbers removed, altered, or not easily determined.

The cost of repair or replacement under these excluded circumstances shall be borne by the customer.

#### DISCLAIMER OF IMPLIED WARRANTIES

- IMPLIED WARRANTIES, INCLUDING ANY IMPLIED WARRANTY OF MERCHANTABILITY OR IMPLIED WARRANTY OF FITNESS FOR A PARTICULAR PURPOSE, ARE LIMITED TO TEN YEARS OR THE SHORTEST PERIOD ALLOWED BY LAW. Some states and provinces do not allow limitations on the duration of implied warranties of merchantability or fitness, so this limitation may not apply to you. This warranty gives you specific legal rights, and you also may have other rights that vary from state to state or province to province.

#### DISCLAIMER OF REPRESENTATIONS OUTSIDE OF WARRANTY

- Maytag makes no representations about the quality, durability, or need for service or repair of this major appliance other than the representations contained in this warranty. If you want a longer or more comprehensive warranty than the limited warranty that comes with this major appliance, you should ask Maytag or your retailer about buying an extended warranty

#### LIMITATION OF REMEDIES: EXCLUSION OF INCIDENTAL AND CONSEQUENTIAL DAMAGES

- YOUR SOLE AND EXCLUSIVE REMEDY UNDER THIS LIMITED WARRANTY SHALL BE PRODUCT REPAIR AS PROVIDED HEREIN. MAYTAG SHALL NOT BE LIABLE FOR INCIDENTAL OR CONSEQUENTIAL DAMAGES. Some states and provinces do not allow the exclusion or limitation of incidental or consequential damages, so these limitations and exclusions may not apply to you. This warranty gives you specific legal rights, and you also may have other rights that vary from state to state or province to province.

#### **Warning**

This content is compiled from multiple sources and is provided for reference purposes only. It may not be complete or fully applicable to all situations. If you are unable to resolve your issue, please contact the product manufacturer or an authorized service provider for official support.