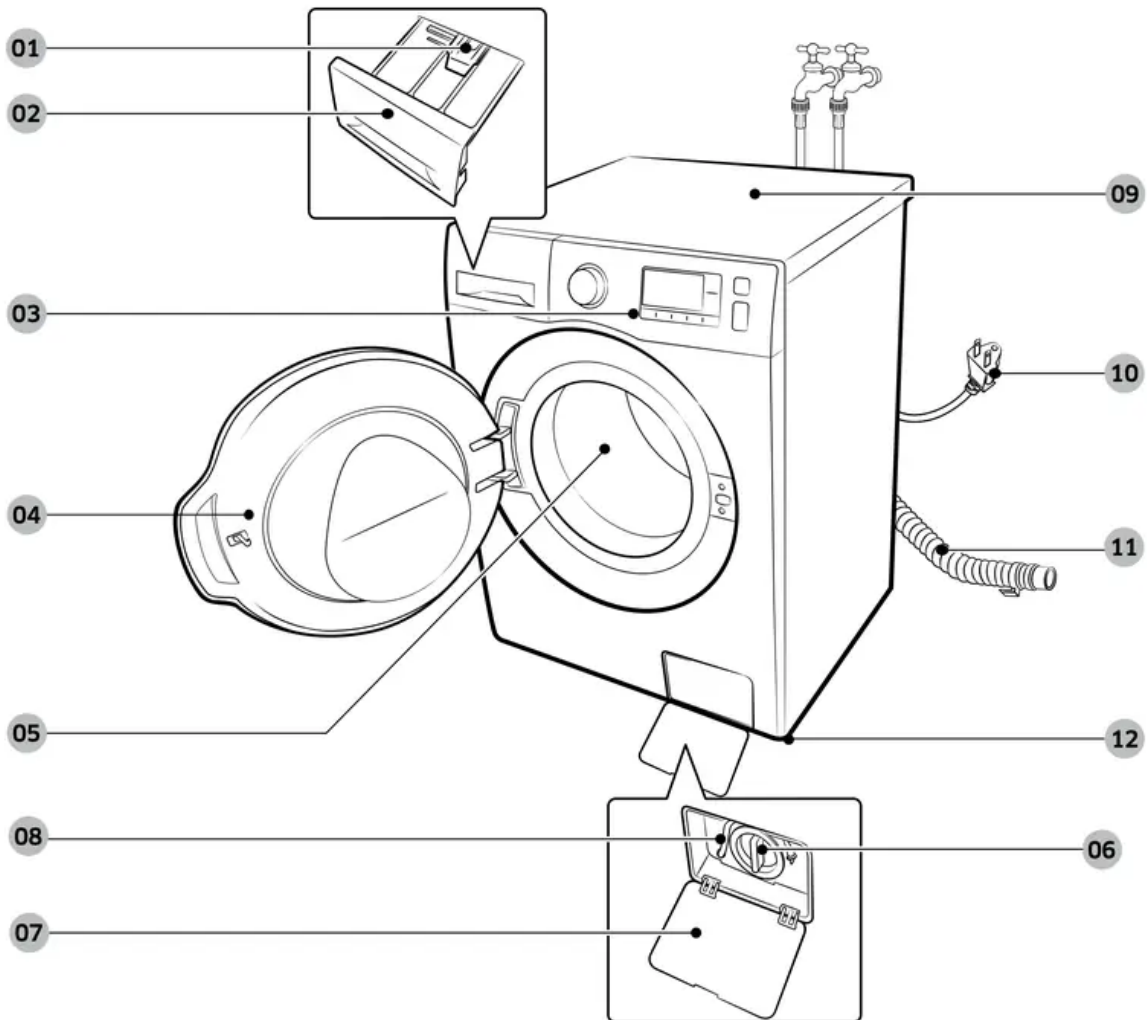


What's included

Make sure all the parts are included in the product package. If you have a problem with the washer or the parts, contact a local Samsung customer center or the retailer.



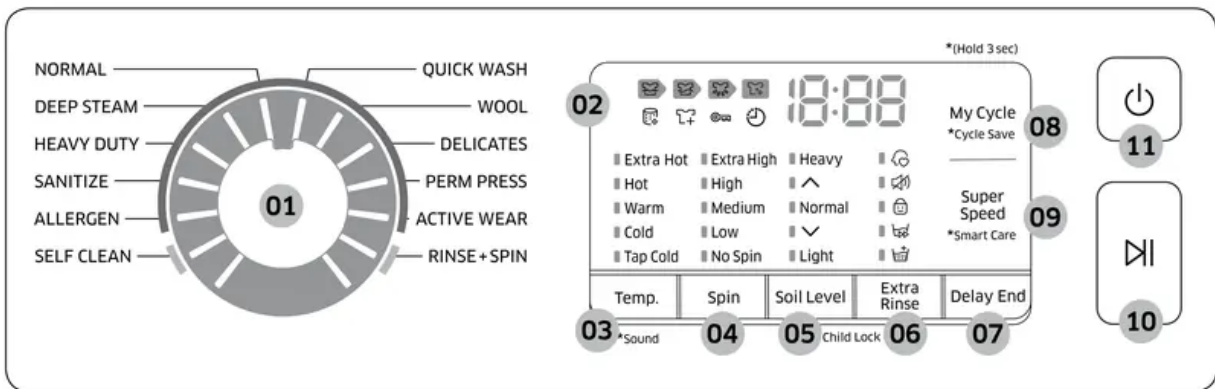
1. Release lever
2. Detergent drawer
3. Control panel
4. Door
5. Drum
6. Pump filter
7. Filter cover
8. Emergency drain tube
9. Worktop

- 10. Power plug
- 11. Drain hose
- 12. Levelling feet

Operations

WARNING: To reduce the risk of fire, electric shock, or injury to persons, read the IMPORTANT SAFETY INSTRUCTIONS before operating this appliance.

Feature panel



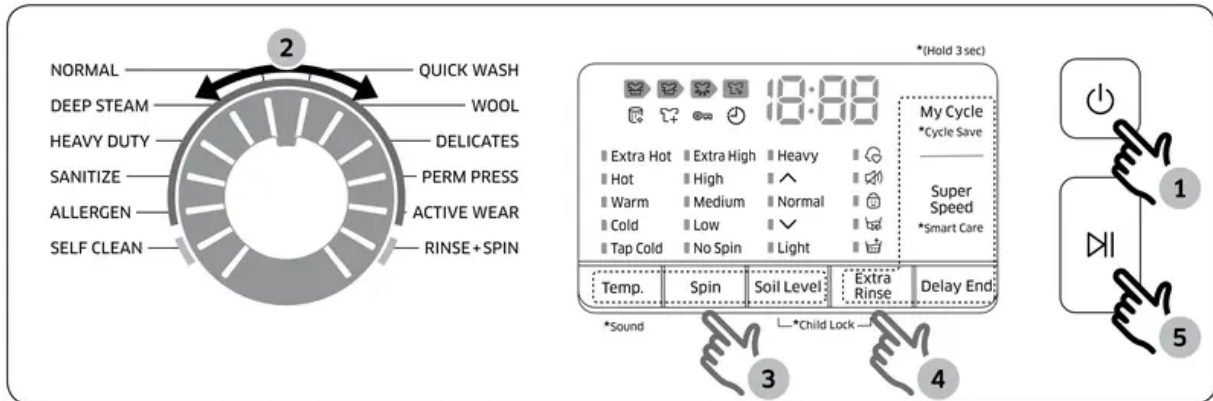
01 Cycle Selector	Turn the dial to select a cycle.
02 Display	The display shows current cycle information and estimated time remaining, or an information code when a problem occurs.
03 Temp.	<p>Press to change the water temperature for the current cycle.</p> <ul style="list-style-type: none"> Extra Hot: Heavily soiled, colorfast items. Only available with the Normal, Heavy Duty, Sanitize and Self Clean cycle. Hot: Whites and heavily soiled, colorfast items. Warm: Colorfast items. Cold: Brightly colored, very lightly soiled items. If cold water below 60°F/16°C supplied, can added hot water or heater on. Top Cold: Cold water with no warm water added.



<p>04 Spin</p>	<p>Press to change the spinning speed for the current cycle.</p> <ul style="list-style-type: none"> • Extra High: Removes more water from loads during spin. To minimize wrinkling of wrinkle-free and no-iron fabrics, DO NOT use the Extra High spin option for these loads, nor overload your Washer. • High: Use for underwear, t-shirts and sturdy cottons. • Medium: Use for wrinkle-free or wash-and-wear items and synthetics. • Low: Use for jeans or delicate items needing a slow spin speed. • No Spin: The drum does not spin after the final drain process. • Rinse Hold (No lamp turns on): The final rinse process is suspended so that the laundry remains in the water. To unload the laundry, run a drain or spin process.
<p>05 Soil Level</p>	<p>Press the button to select the soil level/washing time.</p> <ul style="list-style-type: none"> • Heavy: For heavily soiled loads. • ^ • Normal: For moderately soiled loads. This setting is best for most loads. • ∇ • Light: For lightly soiled loads.
<p>06 Extra Rinse</p>	<p>Press this button to add an additional rinse at the end of the cycle to remove laundry additives more thoroughly.</p>
<p>07 Delay End</p>	<p>You can delay any cycle for up to 24 hours in one-hour increments. Displayed hour indicates the time at which the wash will be ended. (See page 37).</p>
<p>08 My Cycle</p>	<p>Choose your favorite cycle including temperature, spin, soil level, options, etc. (see page 39)</p>
<p>09 Super Speed</p>	<p>Press this button if you need to shorten the washing time, applicable for Normal, Deep steam, Heavy Duty or Allergen course. The shortened time may differ depending on the Cycles/Load/Option.</p>
<p>10 Start/Pause</p>	<p>Press to start or stop operation.</p>
<p>11 Power</p>	<p>Press to turn on/off the washer.</p>



Simple steps to start



1. Press Power to turn on the washer.
2. Turn the Cycle Selector to select a cycle.
3. Change the cycle settings (Temp., Spin, and Soil Level) as necessary.
4. Select desired options as necessary.
5. Press Start/Pause.

To change the cycle during operation

1. Press Start/Pause to stop operation.
2. Select a different cycle.
3. Press Start/Pause again to start the new cycle.

WARNING: Do not place anything on top of your washer while it is running.

Cycle overview

Standard cycles

Cycle	Description
NORMAL	<ul style="list-style-type: none"> For cottons, bed linens, table linens, underwear, towels, or shirts. The washing time and the rinse count are automatically adjusted according to the load.
DEEP STEAM	<ul style="list-style-type: none"> For heavily soiled, colorfast garments, this cycle provides a high washing temperature and steam and is effective for cleaning stains. (See page 40).
HEAVY DUTY	<ul style="list-style-type: none"> For sturdy, colorfast fabrics and heavily soiled items.
SANITIZE	<ul style="list-style-type: none"> For heavily soiled, colorfast garments. This cycle heats the water to 150 °F to eliminate bacteria. <p>NOTE</p> <p>If you select pause during the heating portion of the Sanitize Cycle, your Washer door will remain locked for your safety. When selecting this cycle, the water heats to an extra high temperature to remove certain bacteria typically found on clothing, bedding, or towels. Please check the garment care label to avoid garment damage.</p>
ALLERGEN	<ul style="list-style-type: none"> This course is applied to remove dust mites, pet dander or other allergic substances of the fabric.
SELF CLEAN	<ul style="list-style-type: none"> Use to clean dirt and mold from the drum. Regular use (after every 40 washes) is recommended.
RINSE+SPIN	<ul style="list-style-type: none"> Use for loads that need rinsing only or to add rinse-aided fabric softener to a load.
ACTIVE WEAR	<ul style="list-style-type: none"> Use this cycle to wash exercise wear such as sports jerseys, training pants, shirts/tops and other performance clothing. This cycle provides effective soil removal with gentle action for special fabric care.
PERM PRESS	<ul style="list-style-type: none"> For wash-and-wear, synthetic fabrics, and lightly to normally soiled items.

Cycle	Description
DELICATES	<ul style="list-style-type: none"> For sheer fabrics, bras, lingerie (silk), and other handwash-only fabrics. For best performance, use liquid detergent.
WOOL	<p>For machine-washable wool. Loads should be under 8 pounds. For best results, we recommend a load of 4.4 pounds or less.</p> <ul style="list-style-type: none"> The Wool cycle washes laundry by moving the wash drum horizontally to maintain the characteristics of the wool fibers and to prevent damage to the cloth. It then stops for a while to allow the laundry to soak in the water. This pause in the operation of the Wool cycle is normal. We recommend you use a neutral detergent to prevent damage to the cloth and to improve the washing results.
QUICK WASH	<ul style="list-style-type: none"> For lightly soiled garments needed quickly.

Options


Option	Description
Extra Rinse	<ul style="list-style-type: none"> Add an additional rinse at the end of the cycle to remove laundry additives more thoroughly.
My Cycle	<ul style="list-style-type: none"> Choose your favorite cycle including temperature, spin, soil level, options, etc.
Super Speed	<ul style="list-style-type: none"> Press this button if you need to shorten the washing time, applicable for NORMAL, DEEP STEAM, HEAVY DUTY or ALLERGEN. The shortened time may differ depending on the selected cycle/load/options.
Delay End	<ul style="list-style-type: none"> The displayed time refers to the end time of a selected cycle.

Delay End

You can set the washer to finish your wash automatically at a later time, choosing a delay of between 1 to 24 hours (in 1 hour increments). The hour displayed indicates the time the wash will finish.

1. Select a cycle. Then change the cycle settings if necessary.
2. Press Delay End repeatedly until a desired end time is set.
3. Press Start/Pause.



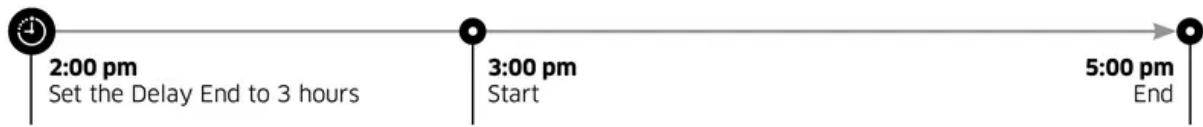
The  indicator turns on with the clock running.

4. To cancel the Delay End, restart the washer by pressing Power.

Real-life case


You want to finish a two-hour cycle 3 hours later from now. For this, you add the Delay End option to the current cycle with the 3-hour setting, and press Start/Pause at 2:00 p.m. Then, what

happens? The washer starts operating at 3:00 p.m., and ends at 5:00 p.m. Provided below is the time line for this example.



Special features

Garment+

You can add or take out laundry items even after the wash has started, as long as the “  ” light is on. Pushing the START/PAUSE button unlocks the door, unless the water is too hot or if there is too much water in your washer. If you are able to unlock the door and wish to continue the wash cycle, close the door, and then press the START/PAUSE button.

Spin Only

If you press the POWER button and then press and hold the Spin button for 3 seconds, the spin time will be displayed on the display panel.

Then, press the Spin button repeatedly until the required spin level is selected, and then press the START/PAUSE button.

NOTE: Before pressing the Spin Only button to use the Spin Only function, you can select a cycle with the Cycle Selector. If you have selected a cycle, you can only select the spin level corresponding to the selected cycle.



Child Lock

Child Lock prevents children from playing with your washer.

Once you have activated the Child Lock function, the control panel cannot be activated, preventing children from playing with the washer.


Activating the Child Lock function

Press and hold both the Soil Level and Extra Rinse buttons simultaneously for 3 seconds.

- When you activate the Child Lock function, the door locks and the “Child Lock  ” lamp illuminates.
- If you press the START/PAUSE button after you have activated the Child Lock function, none of the buttons will work except for the POWER button.
- If you press a button when the buttons are locked, the “Child Lock  ” lamp blinks.

Pausing the Child Lock function

When the door is locked or the buttons are locked by the Child Lock function, you can pause the Child Lock operation for 1 minute by pressing and holding both the Soil Level and Extra Rinse buttons simultaneously for approximately 3 seconds.


- If you pause the Child Lock mode temporarily, the door lock is released for 1 minute for user convenience. During this period, the “Child Lock ” lamp blinks.
- If you open the door after the minute is over, an alarm sounds for up to 2 minutes.
- If you close the door within the 2 minutes, the door is locked and the Child Lock function is reactivated. If you close the door after the 2 minutes, the door is not locked automatically and no alarm sounds.

Deactivating the Child Lock function

Press and hold both the Soil Level and Extra Rinse buttons simultaneously for approximately 6 seconds.

Or In “pausing the child lock function” status, press and hold both Soil Level and Extra Rinse buttons simultaneously for approximately 3 seconds more.

WARNING:

- When you deactivate the Child Lock function, the door is unlocked and the “Child Lock ” is turned off.
- The Child Lock function prevents children or the infirm from accidentally operating the washer and injuring themselves.
- If a child enters the washing machine, the child may become trapped and suffocate.
- Once you have activated the Child Lock function, it continues working even if the power is turned off.
- Opening the door by force can result in injury due to damage to the product.

CAUTION: To add laundry after you have activated the Child Lock function, you must first pause or deactivate the Child Lock function.

NOTE: If you want to open the door of the washing machine when the Child Lock function is activated:

- Pause or deactivate the Child Lock function.
- Turn the washing machine off and then on again.

My Cycle

Create your own washing cycle with preferred settings, and use the cycle with one button.

To create your own cycle

1. Turn the Cycle Selector to select a cycle.

2. Change the cycle settings (Temp., Spin, and Soil Level) as necessary.
3. To add an option, press the corresponding buttons.
4. Press and hold My Cycle for 3 seconds to save your settings. Applicable indicators blink for 3 seconds.

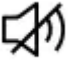
Once you save the cycle, you can use it by pressing My Cycle.

NOTE: If you press and release My Cycle within 3 seconds, the previously saved cycle and options appear.

Sound

Mute or unmute the sound.

- To mute or unmute the sound, press and hold the Temp. button for 3 seconds. When the

sound is muted, the  indicator turns on.

Using Steam Wash

If you select Deep Steam course, the steam acts at the most effective times for the detected amount of laundry, maximizing the effect of the steam, increasing the wash temperature, enhancing the Soak effect, and improving wash performance.

1. Load the washer.
2. Press the Power button.
3. Turn the Cycle Selector and select a Deep Steam Course.
4. Add detergent to the dispenser tray and add fabric softener up to the marked line.
5. Press the Start/Pause button.

The washer automatically selects the optimal wash conditions by sensing the weight of the laundry.

NOTE: Steam may not necessarily be visible during the steam cycles. Steam may not be present during the entire steam wash cycle.

ATC (Auto Temperature Control)

ATC enables the washer to control water temperatures in each washing process using the internal thermistor. It is designed to maintain a certain level of washing temperature for best results.

NOTE

- If you select NORMAL or HEAVY DUTY, you may notice the washer supplying cold water. This is normal because the machine is designed to reduce power consumption.
- In these cycles, the Hot temperature is similar to bath-water temperatures, and the Warm temperature to comfortable swimming pool temperatures.
- To wash clothes at a specific temperature, you must choose a different cycle first.

Maintenance

Keep the washer clean to prevent deteriorated performance and to preserve its life cycle.

WARNING: Certain internal parts are intentionally not grounded and may present a risk electric shock only during servicing. Service personnel – Do not contact the following parts while the appliance is energized: Control board, heat sink, motor, inlet valve and pump.

Self Clean

Certain usage and environmental conditions may result in some residue build-up or odor in the washer drum. To prevent this build-up of residue or odor causing bacteria and keep your washer drum fresh and clean, perform the Self Clean+ cycle at least once a month or every 40 cycles.

Perform the recommended procedure below when using the Self Clean+ cycle.

1. Remove all items from the washer drum and ensure the drum is empty. Laundry left in the drum during the Self Clean+ cycle may be damaged.
2. Press Self Clean.
3. Press Start/Pause.

NOTE:

- The water temperature for Self Clean+ is defaulted to Hot. This temperature cannot be changed.
- In the case where residue is present in the washer drum, add liquid chlorine bleach to the MAX level line in the main-wash compartment before starting the Self Clean+ cycle. Do not add the liquid chlorine bleach to the bleach compartment (This is only the case for Self Clean+ cycle). Do not exceed the max line. Do not use or mix any other detergent or chemicals during the Self Clean+ cycle.
- If necessary, run a RINSE+SPIN Cycle after the Self Clean+ cycle has completed to help remove any remaining residue.

CAUTION: If there is chlorine bleach left in the washer drum for an extended period of time, rust can occur.

Self Clean+ reminder ()

- After 40 washing cycles, the Self Clean+ LED reminder icon and the Self Clean+ cycle LED will blink on the control panel for an hour and then turn off automatically.
- The reminder will appear on the control panel for 5 additional consecutive cycles before turning off. The next reminder will not appear until another 40 cycles have been completed.

Smart Care

To enable this function, you must first download the Samsung Smart Washer at the Play Store or the Apple Store, and install it on a mobile device featuring the camera operation. The Smart Care function has been optimized for:

Galaxy & iPhone series (cannot be supported for some models)

The washer runs the self-diagnosis in the background, and displays an information code if an error is found. If this is the case, follow the steps below:

1. Run the Samsung Smart Washer app on your mobile device, then press and hold the Super Speed button for 3 seconds within 10 seconds after turning the power on by pressing the Power button.
2. Present the mobile device to the washer's display panel so that the mobile device and the washer face each other. Then, the information code will be recognized automatically by the app.
3. When the information code is recognized correctly, the app provides detailed information for the error with further actions.

NOTE:

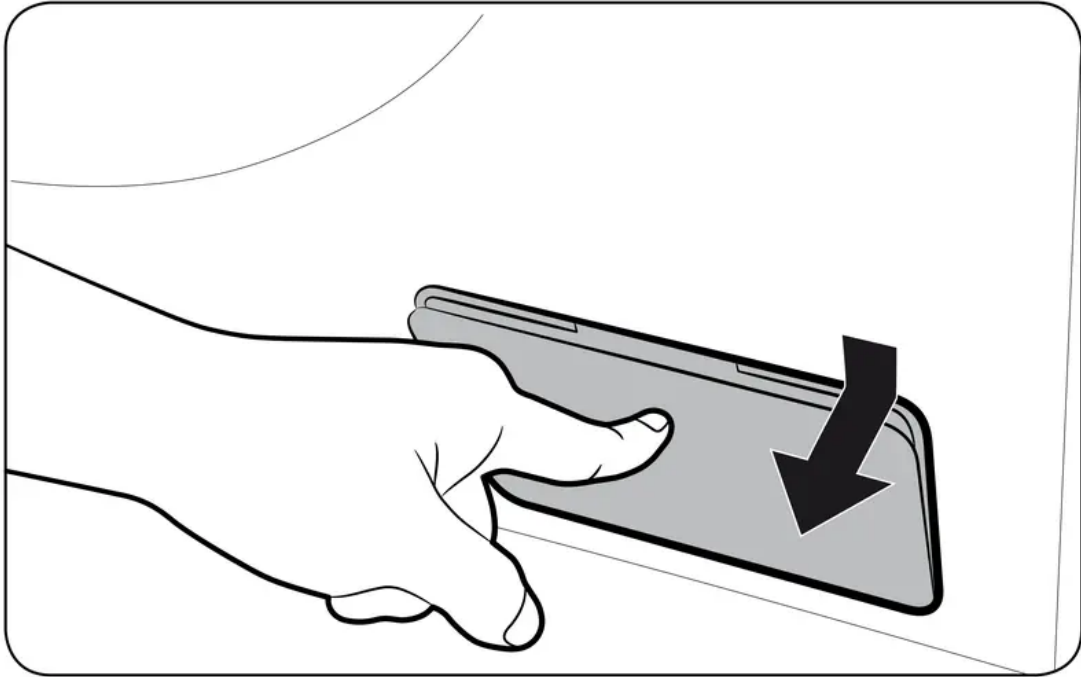
- The function name, Smart Care, may differ depending on the language.
- If the washer reflects light on the display, the app may fail to recognize the information code.
- If the app fails to recognize the Smart Care code consecutively, enter the information code manually onto the app screen.

Emergency drain

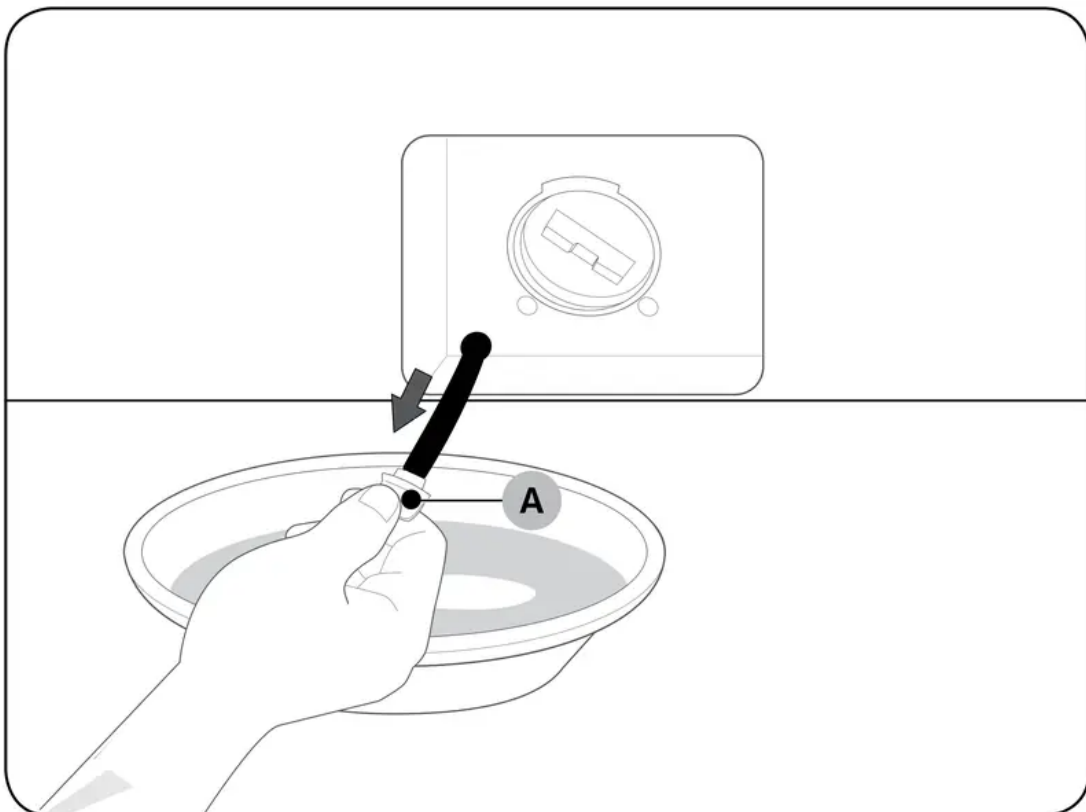
In case of a power failure, drain the water inside the drum before taking out the laundry.

1. Power off and unplug the washer from the electrical outlet.

2. Gently press the top area of the filter cover to open.

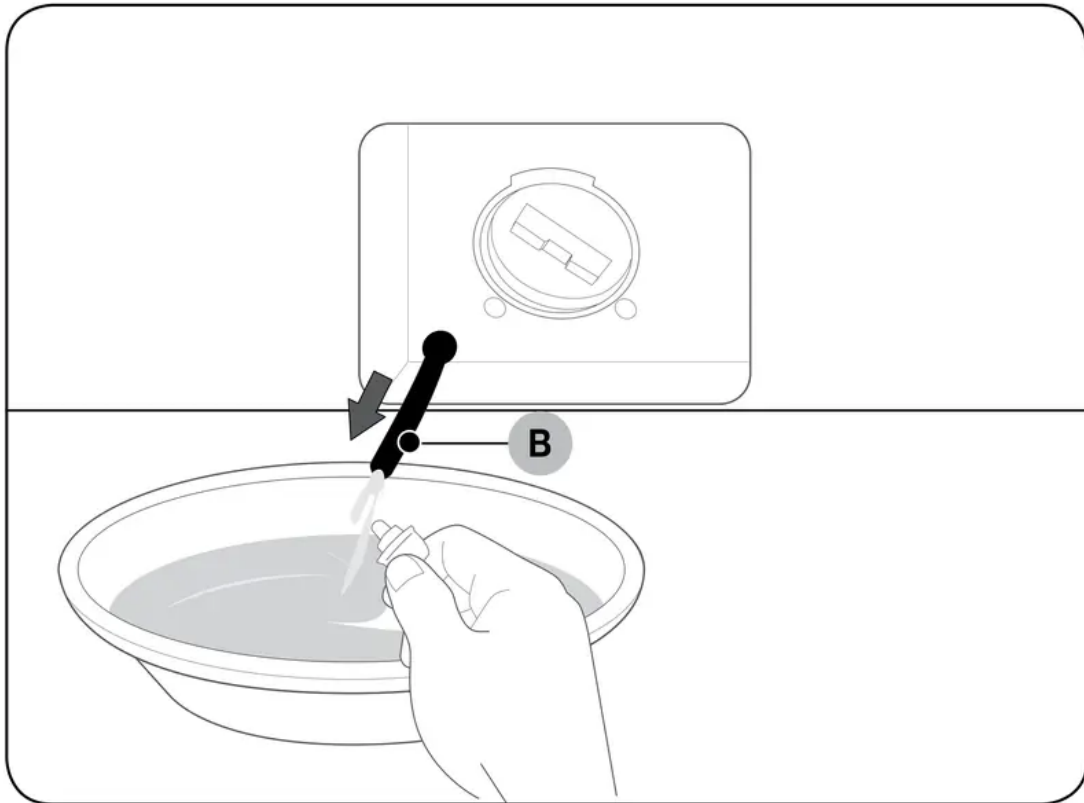


3. Put an empty, spacious container around the cover, and stretch the emergency drain tube to the container while holding the tube cap (A).



4. Open the tube cap and let water in the Emergency drain tube (B) flow into the container.

5. When done, close the tube cap, and reinsert the tube. Then, close the filter cover.



NOTE: Use a spacious container because the water in the drum may be more than expected.

Cleaning

Surface of the washer

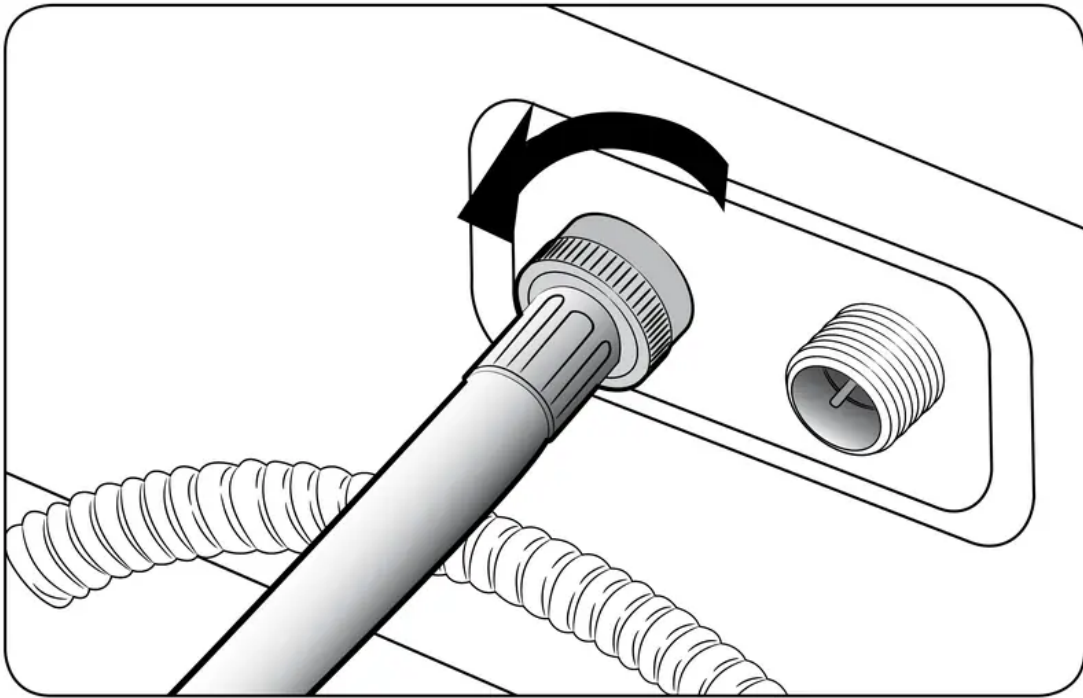
Use a soft cloth with a nonabrasive household detergent. Do not spray water onto the washer.

Mesh filter

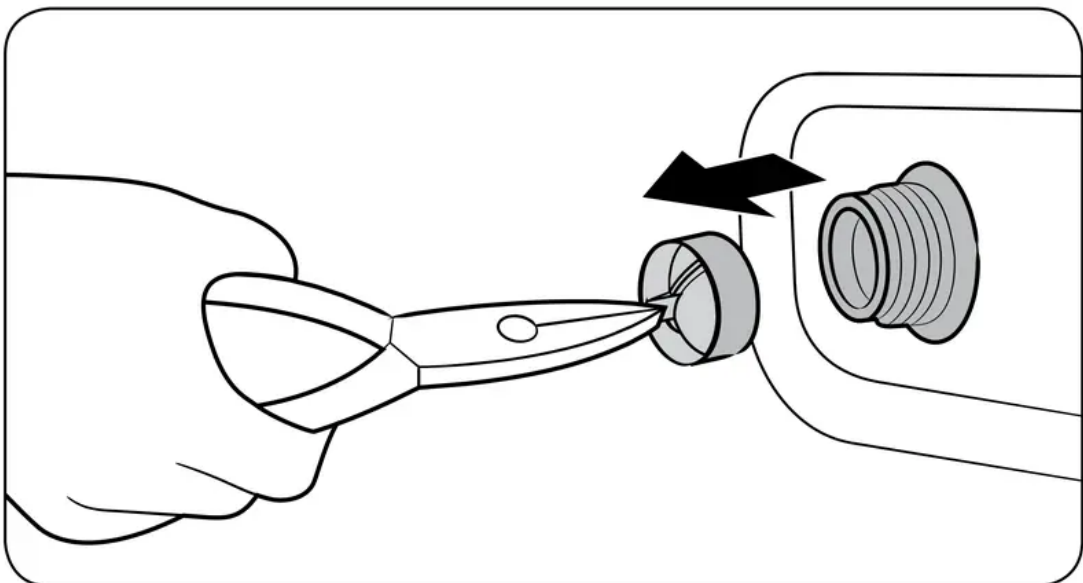
Clean the mesh filter of the water hose once or twice a year.

1. Turn off the washer, and unplug the power cord.
2. Close the faucet.

3. Loosen and disconnect the water hose from the back of the washer. Cover the hose with a cloth to prevent water from gushing out.



4. Use pliers to pull out the mesh filter from the inlet valve.
5. Submerge the mesh filter deeply in water so that the threaded connector is also submerged.
6. Dry the mesh filter completely in the shade.
7. Reinsert the mesh filter into the inlet valve, and reconnect the water hose to the inlet valve.
8. Open the faucet.

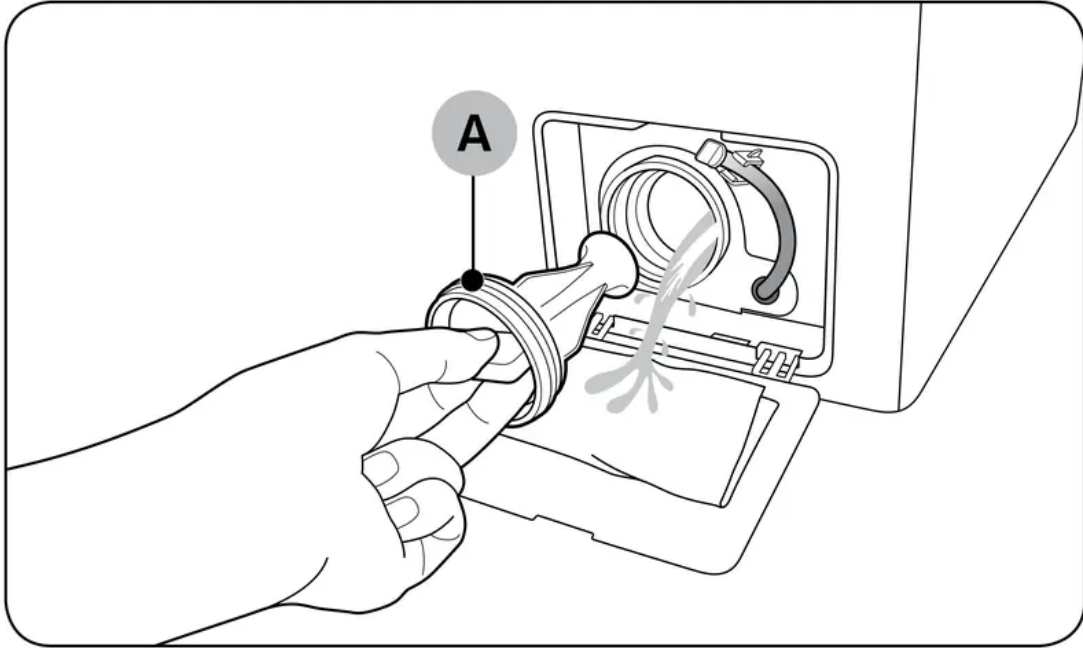


NOTE: If the mesh filter is clogged, an information code of “4C” appears on the screen.

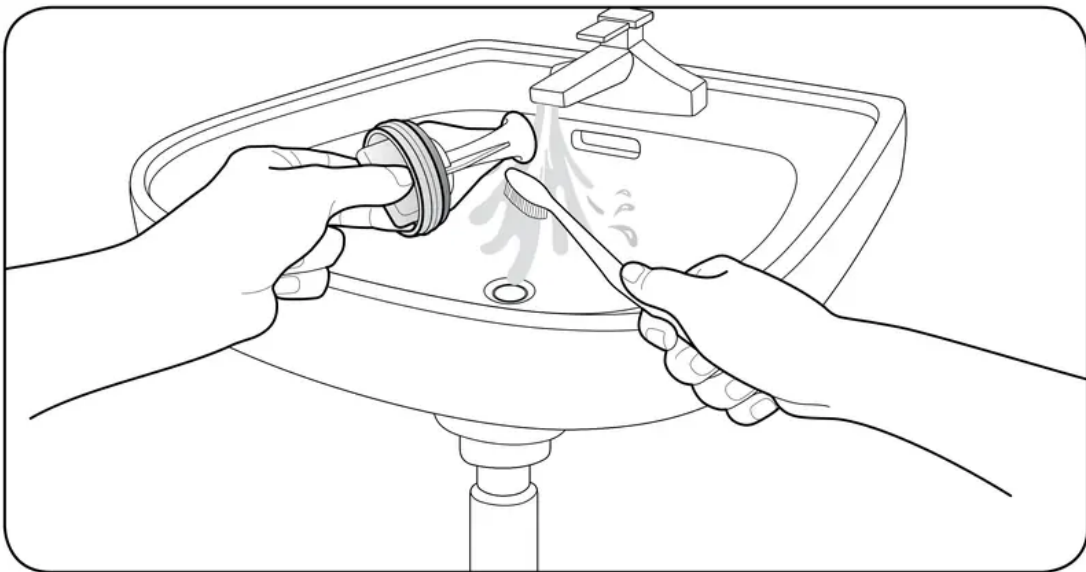
Pump filter

It is advisable to clean the pump filter 5 or 6 times a year to prevent its clogging.

1. Turn off the washer, and unplug the power cord. A
2. Drain the remaining water inside the drum. See the “Emergency drain” section.
3. Gently press the top area of the filter cover to open.
4. Turn the pump filter knob (A) to the left, and drain off the remaining water.

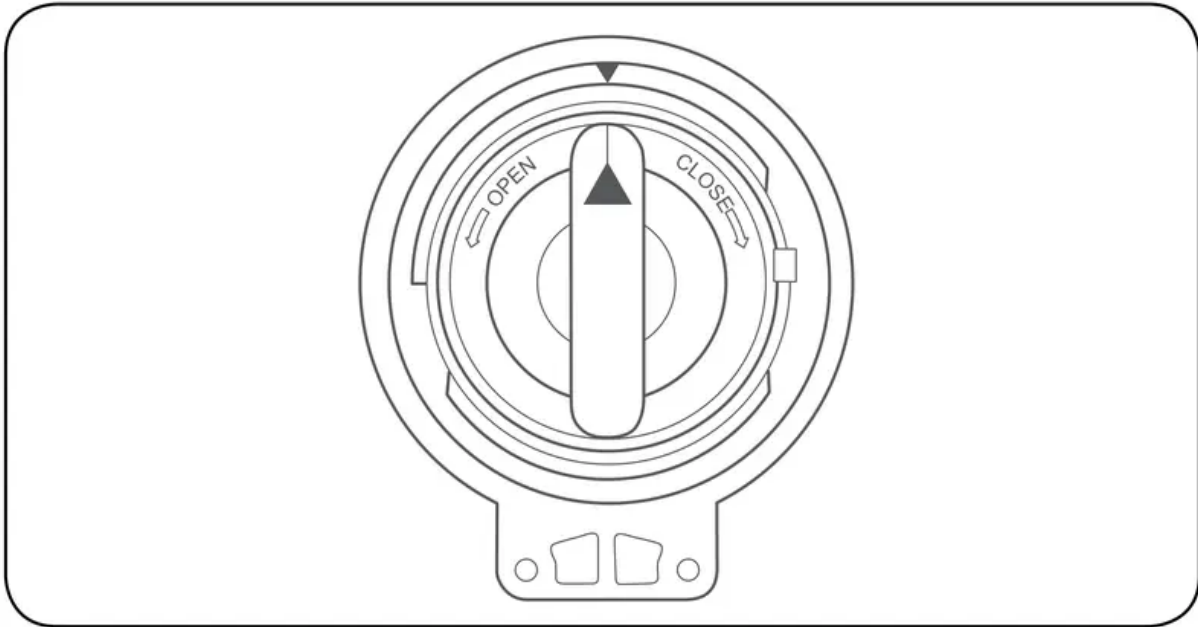


5. Clean the pump filter using soft brushes. Make sure the drain pump propeller inside the filter is unclogged.
6. Reinsert the pump filter, and turn the filter knob to the right.



NOTE

- Some pump filters feature a safety knob that is designed to prevent accidents by children. To open the safety knob of the pump filter, push in and turn it anticlockwise. The spring mechanism of the safety knob helps open the filter.
- To close the safety knob of the pump filter, turn it clockwise. The spring makes a rattling sound, which is normal.



NOTE: If the pump filter is clogged, an information code of “5C” appears on the screen.

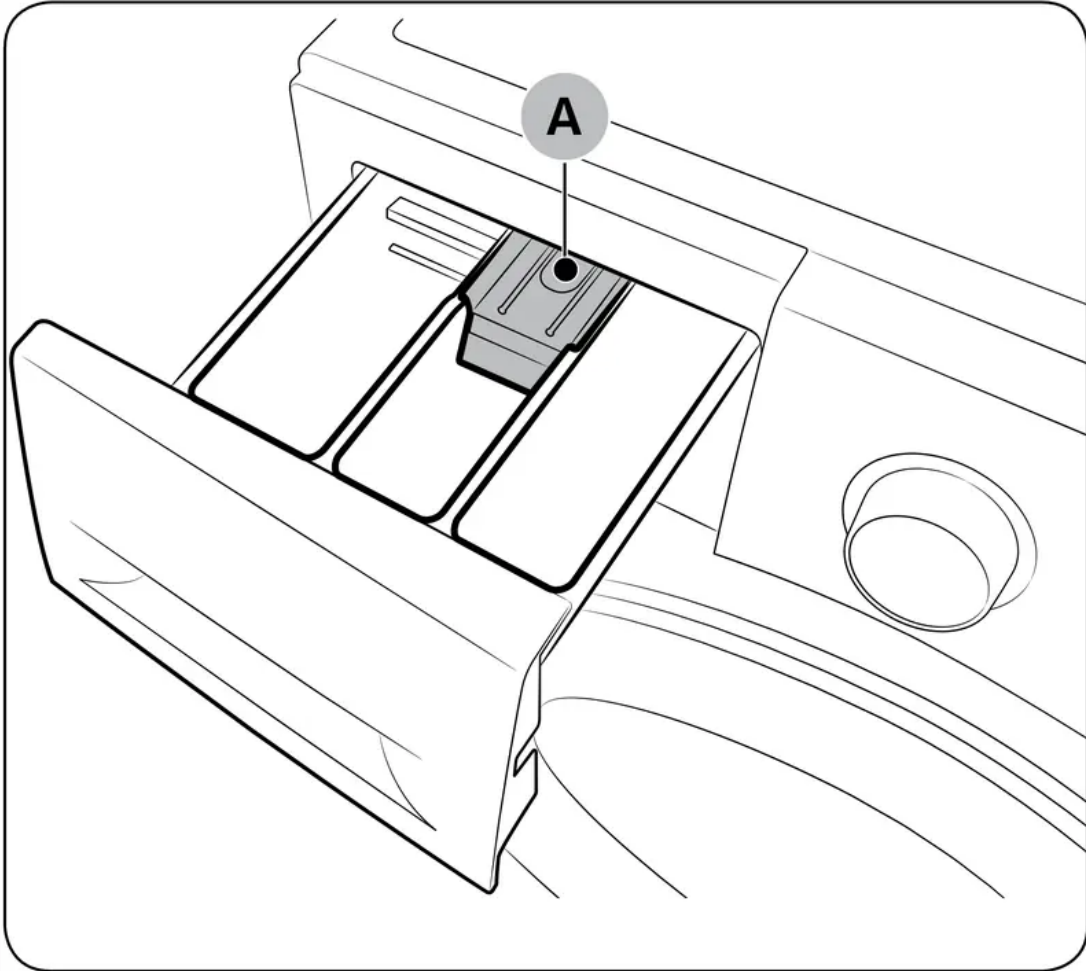
CAUTION

- Make sure the filter knob is closed properly after cleaning the filter. Otherwise, this may cause a leak.
- Make sure the filter is inserted properly after cleaning it. Otherwise, this may cause an operational failure or a leak.

Detergent drawer

1. While holding down the release lever (A) inside the drawer, slide open the drawer.

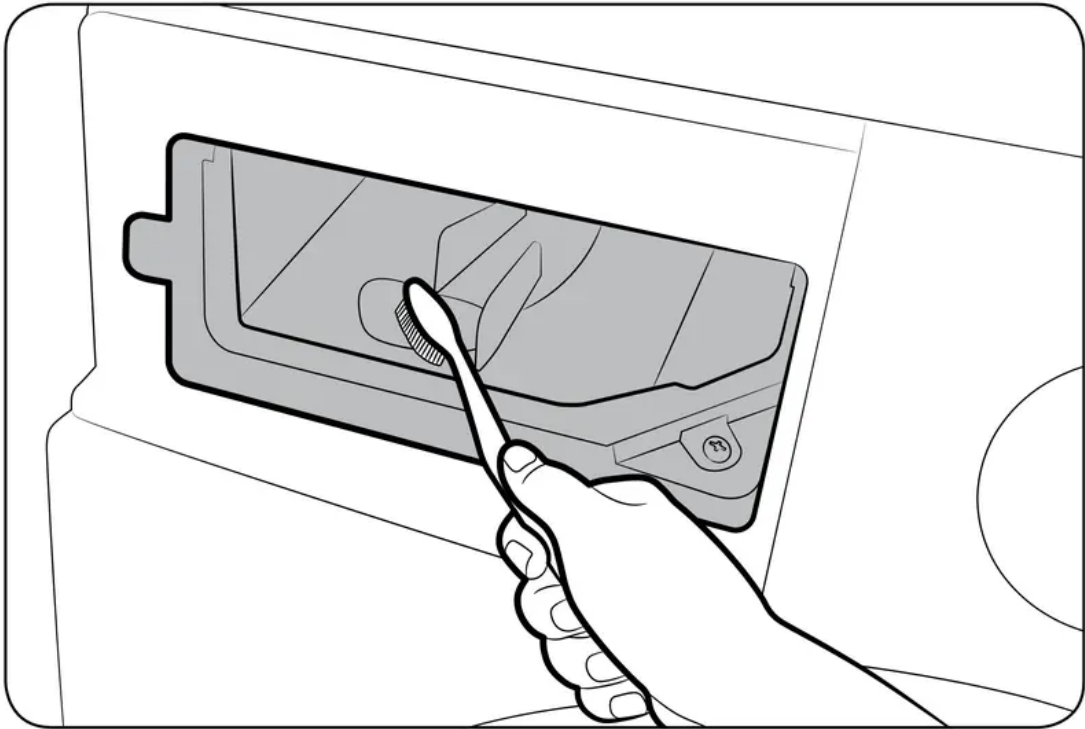
2. Clean the drawer components in flowing water using a soft brush.



3. Clean the drawer recess using a soft brush.

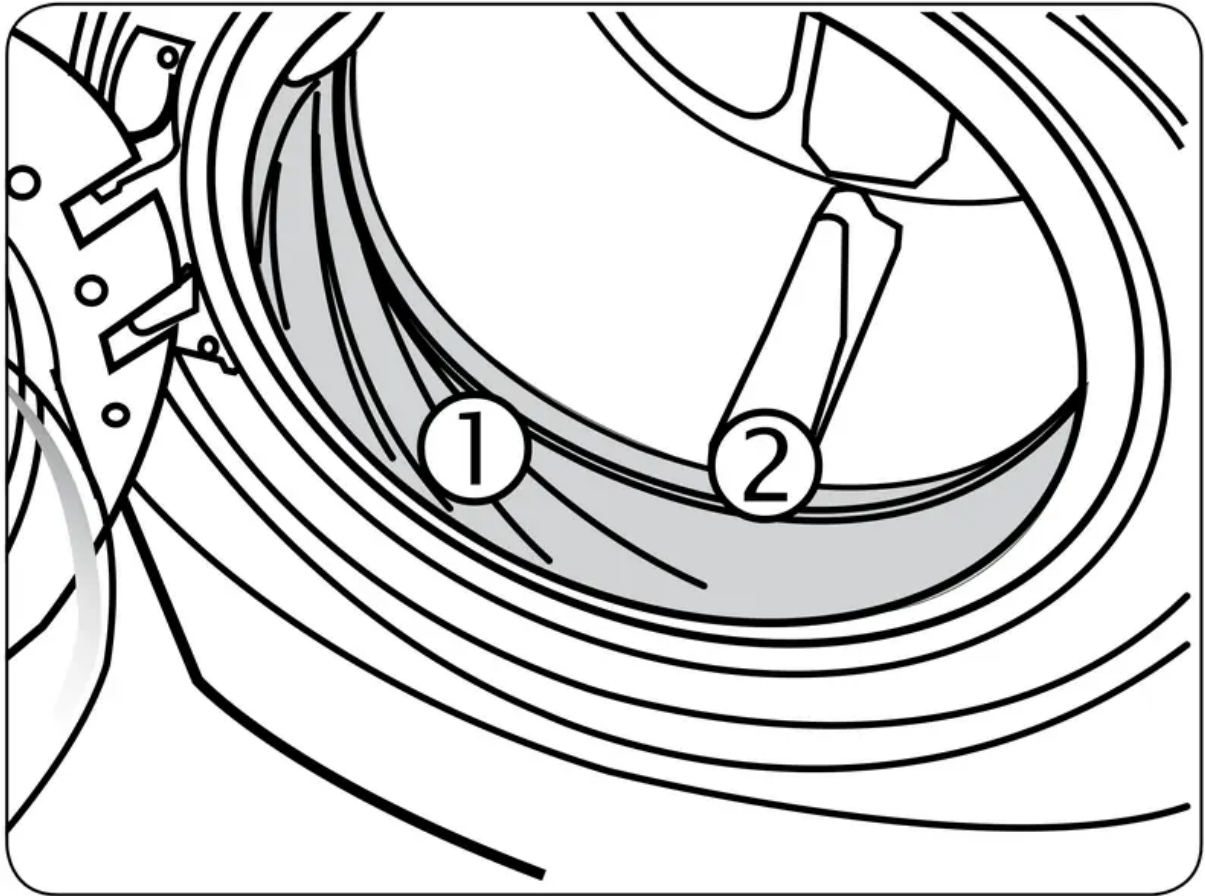
4. Reinsert the release lever and the Liquid detergent container to the drawer.

5. Slide the drawer inward to close it.



NOTE: To remove remaining detergent, perform the RINSE+SPIN cycle with the drum being empty.

Door diaphragm



1. Open the washer door and remove any clothing or items from the washer.
2. Check if there are any foreign substances on the grey Diaphragm between the lid and the drum.
To check this, turn the Diaphragm out.
3. If there are any foreign substances, remove them.
4. If you find stained areas, wipe them down using the procedure below:
 - a) Carefully combine $\frac{3}{4}$ cup (177 mL) of liquid chlorine bleach with 1 gal. (3.8L) of warm tap water.
 - b) Wipe the Diaphragm area with the dilute solution using a damp cloth.
 - c) Let stand 5 minutes.
 - d) Wipe down the area thoroughly with a dry cloth and let the washer interior air dry with the door open.

CAUTION: Wear rubber gloves when cleaning for prolonged periods.

Refer to the bleach manufacturer's instructions for proper use.

Recovery from freezing

The washer may freeze when it drops below 0 °C.

1. Turn off the washer, and unplug the power cord.

2. Pour warm water over the faucet to loosen the water hose.
3. Disconnect the water hose, and soak it in warm water.
4. Pour warm water into the drum and leave it for about 10 minutes.
5. Reconnect the water hose to the faucet.

NOTE: If the washer still doesn't operate normally, repeat the above steps until it operates normally.

Care against an extended time of disuse

Avoid leaving the washer unused for an extended time. If this is the case, drain the washer and unplug the power cord.

1. Turn the Cycle Selector to select RINSE+SPIN.
2. Empty the drum, and press Start/Pause.
3. When the cycle is complete, close the faucet and disconnect the water hose.
4. Turn off the washer, and unplug the power cord.
5. Open the door to let air circulate through the drum.

Cleaning the exterior

1. Turn off the water faucets after finishing the day's washing.
This will shut off the water supply to your washer and prevent the unlikely possibility of damage from escaping water. Leave the door open to allow the inside of your washer to dry out.
2. Use a soft cloth to wipe up all detergent, bleach or other spills as they occur.
Clean the following as recommended below:
Control Panel – Clean with a soft, damp cloth. Do not use abrasive powders or cleaning pads. Do not spray.
cleaners directly on the panel.

Cleaning the interior

Clean the interior of your washer periodically to remove any dirt, soil, odor, mold, mildew, or bacterial residue that may remain in your washer as a result of washing clothes.

CAUTION: Failure to follow these instructions may result in unpleasant conditions, including odors and/or permanent stains on your washer or laundry.

NOTE: Hard water deposits may be removed, if needed. Use a cleaner labeled "Washer safe".

Troubleshooting

Checkpoints

If you encounter a problem with the washer, first check the table below and try the suggestions.



Problem	Action
Does not start.	<ul style="list-style-type: none"> • Make sure the washer is plugged in. • Make sure the door is properly closed. • Make sure the faucets are open. • Make sure to press or tap Start/Pause to start the washer. • Make sure Child Lock is not activated. • Before the washer starts to fill, it will make a series of clicking noises to check the door lock and does a quick drain. • Check the fuse or reset the circuit breaker.
Water supply is insufficient, or no water is supplied.	<ul style="list-style-type: none"> • Fully open the faucet. • Make sure the door is properly closed. • Make sure the water supply hose is not frozen. • Make sure the water supply hose is not kinked or clogged. • Make sure there is sufficient water pressure.
After a cycle, detergent remains in the detergent drawer.	<ul style="list-style-type: none"> • Make sure the washer is running with sufficient water pressure. • Make sure the detergent is added to the center of the detergent drawer. • Make sure the rinse cap is inserted properly. • If using granular detergent, make sure the detergent selector is in the upper position. • Remove the rinse cap and clean the detergent drawer.
Excessive vibrations or makes noise.	<ul style="list-style-type: none"> • Make sure the washer is installed on a level, solid floor that is not slippery. If the floor is not level, use the levelling feet to adjust the height of the washer. • Make sure the shipping bolts are removed. • Make sure the washer is not contacting any other object. • Make sure the laundry load is balanced. • The motor can cause noise during normal operation. • Overalls or metal-decorated clothes can cause noise while being washed. This is normal.

	<ul style="list-style-type: none"> • Metal objects such as coins can cause noise. After washing, remove these objects from the drum or filter case.
Does not drain and/or spin.	<ul style="list-style-type: none"> • Make sure the drain hose is straightened all the way to the drain system. If you encounter a drain restriction, call for service. • Make sure the debris filter is not clogged. • Close the door and press or tap Start/Pause. For your safety, the washer will not tumble or spin unless the door is closed. • Make sure the drain hose is not frozen or clogged. • Make sure the drain hose is connected to a drain system that is not clogged. • If the washer is not supplied with sufficient power, the washer temporarily will not drain or spin. As soon as the washer regains sufficient power, it will operate normally.
The door does not open.	<ul style="list-style-type: none"> • Press or tap Start/Pause to stop the washer. • It may take a few moments for the door lock mechanism to disengage. • The door will not open until 3 minutes after the washer has stopped or the power turned off. • Make sure all the water in the drum is drained. • The door may not open if water remains in the drum. Drain the drum and open the door manually. • Make sure the door lock light is off. The door lock light turns off after the washer has drained.
Excessive suds.	<ul style="list-style-type: none"> • Make sure you use the recommended types of detergent as appropriate. • Use high efficiency (HE) detergent to prevent oversudsing. • Reduce the detergent amount for soft water, small loads, or lightly soiled loads. • Non-HE detergent is not recommended.
Cannot apply additional detergent.	<ul style="list-style-type: none"> • Make sure the remaining amount of detergent and fabric softener is not over the limit.



<p>Stops.</p>	<ul style="list-style-type: none"> • Plug the power cord into a live electrical outlet. • Check the fuse or reset the circuit breaker. • Close the door and press the Start/Pause button to start the washer. For your safety, the washer will not tumble or spin unless the door is closed. • Before the washer starts to fill, it will make a series of clicking noises to check the door lock and does a quick drain. • There may be a pause or soak period in the cycle. Wait briefly and the washer may start. • Make sure the mesh filter of the water supply hose at the faucets is not clogged. Periodically clean the mesh filter. • If the washer is not supplied with sufficient power, the washer temporarily will not drain or spin. As soon as the washer regains sufficient power, it will operate normally.
<p>Fills with the wrong water temperature.</p>	<ul style="list-style-type: none"> • Fully open both taps. • Make sure the temperature selection is correct. • Make sure the hoses are connected to the correct taps. Flush water lines. • Make sure the water heater is set to supply a minimum 120 °F (49 °C) hot water at the tap. Also, check the water heater capacity and recovery rate. • Disconnect the hoses and clean the mesh filter. The mesh filter may be clogged. • While the washer fills, the water temperature may change as the automatic temperature control feature checks in coming water temperature. This is normal. • While the washer fills, you may notice just hot and/or just cold water going through the dispenser when cold or warm temperatures are selected. This is a normal function of the automatic temperature control feature as the washer determines the water temperature.
<p>Load is wet at the end of a cycle.</p>	<ul style="list-style-type: none"> • Use the High or Extra High spin speed. • Use high efficiency (HE) detergent to reduce oversudsing. • Load is too small. Small loads (one or two items) may become unbalanced and not spin completely.



	<ul style="list-style-type: none"> • Make sure the drain hose is not kinked or clogged.
Leaks water.	<ul style="list-style-type: none"> • Make sure the door is properly closed. • Make sure all hose connections are tight. • Make sure the end of the drain hose is correctly inserted and secured to the drain system. • Avoid overloading. • Use high efficiency (HE) detergent to prevent oversudsing.
Has odours.	<ul style="list-style-type: none"> • Excessive suds collect in recesses and can cause foul odours. • Run cleansing cycles to sanitize periodically. • Clean the door seal (diaphragm). • Dry the washer interior after a cycle has finished.
No bubbles are seen (Bubbles hot models only).	<ul style="list-style-type: none"> • Overloading may screen bubbles. • Severely contaminated laundry may not generate bubbles.

Information codes

If the washer fails to operate, you may see an information code on the screen. Check the table below and try the suggestions.

Code	Action
4C	<p>Water is not supplied.</p> <ul style="list-style-type: none"> • Make sure the faucets are open. • Make sure the water hoses are not clogged. • Make sure the faucets are not frozen. • Make sure the washer is operating with sufficient water pressure. • Make sure that the cold faucet and the hot faucet are properly connected. • Clean the mesh filter as it may be clogged.
4C2	<ul style="list-style-type: none"> • Make sure the cold water supply hose is firmly connected to the cold faucet. If it is connected to the hot faucet, the laundry may be deformed with some cycles.
5C	<p>Water is not draining.</p> <ul style="list-style-type: none"> • Make sure the drain hose is not frozen or clogged. • Make sure the drain hose is positioned correctly, depending on the connection type. • Clean the debris filter as it may be clogged. • Make sure the drain hose is straightened all the way to the drain system. • If the information code remains, contact a customer service center.
dC	<p>Operating the washer with the door open.</p> <ul style="list-style-type: none"> • Make sure the door is properly closed. • Make sure laundry is not caught in the door.
OC	<p>Water has overflowed.</p> <ul style="list-style-type: none"> • Restart after spinning. • If the information code remains on the display, contact a local Samsung service center.
LC, LC1	<p>Check the drain hose.</p> <ul style="list-style-type: none"> • Make sure the end of the drain hose is placed on the floor. • Make sure the drain hose is not clogged.



	<ul style="list-style-type: none"> • If the information code remains, contact a customer service center.
Ub	<p>Spinning does not work.</p> <ul style="list-style-type: none"> • Make sure laundry is spread out evenly. • Make sure the washer is on a flat, stable surface. • Redistribute the load. If only one item of clothing needs washing, such as a bathrobe or pair of jeans, the final spin result might be unsatisfactory, and an “Ub” check message will be shown in the display.
3C	<p>Check the motor for operation.</p> <ul style="list-style-type: none"> • Try restarting the cycle. • If the information code remains, contact a customer service center.
UC	<p>The electronic control needs to be checked.</p> <ul style="list-style-type: none"> • Check if power is supplied properly. • If the information code remains, contact a customer service center.
	<p>Low voltage detected.</p> <ul style="list-style-type: none"> • Check if the power cord is plugged in. • If the information code remains, contact a customer service center.
HC	<p>High temperature heating check.</p> <ul style="list-style-type: none"> • If the information code remains, contact a customer service center.
1C	<p>The Water Level sensor is not working properly.</p> <ul style="list-style-type: none"> • Turn the machine off, and restart the cycle. • If the information code remains, contact a customer service center.
AC	<p>Check communications between main and sub PBAs.</p> <ul style="list-style-type: none"> • Turn the machine off, and restart the cycle. • If the information code remains, contact a customer service center.

Warning



This content is compiled from multiple sources and is provided for reference purposes only. It may not be complete or fully applicable to all situations. If you are unable to resolve your issue, please contact the product manufacturer or an authorized service provider for official support.

Document generated by [ManualsFile](#)

